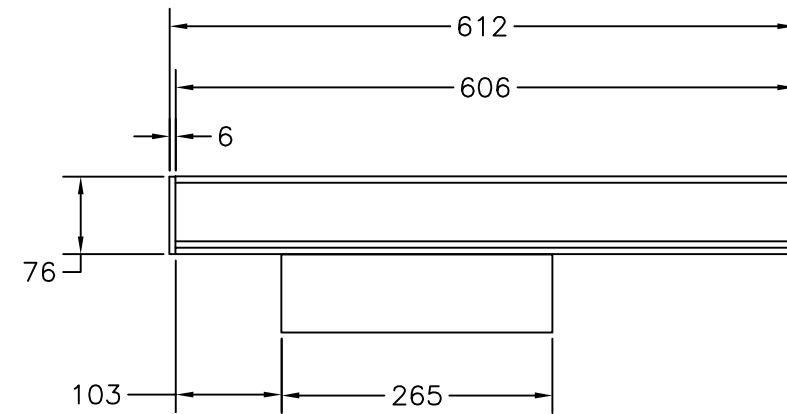
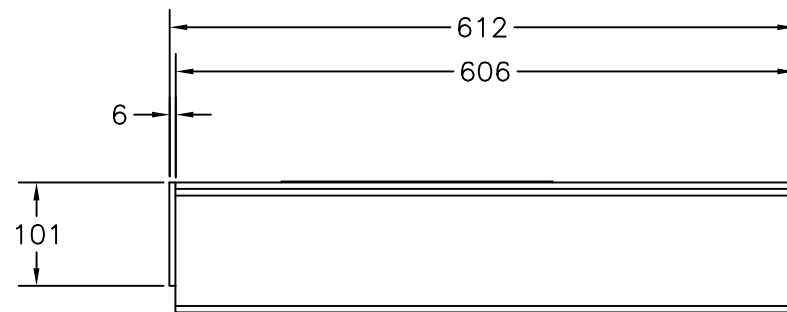
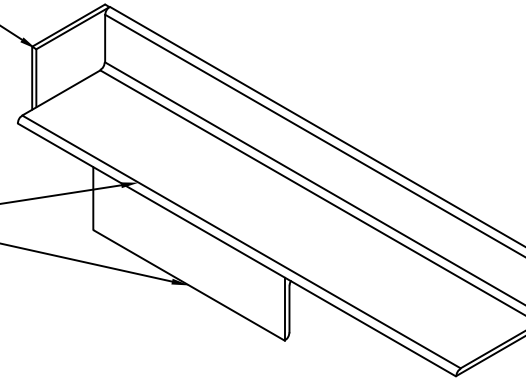


1/4" THK CS PLATE

ANGLE SUPPORT - 5 X 3 X 1/4



Please provide part list and Material

MME: BOM NOT REQUIRED AS THE IDENTIFYING LEADERS ARE SELF EXPLANATORY, AS ADVISED BY ISSAM.

Please specify JB number

MME: NOTED

REV.	STATUS	DATE	PURPOSE OF ISSUE	PREP.	CHKD.	APPD.	AUTH.
0	F	30.07.24	FOR APPROVAL	AJD	AJD	IES	SES
CLIENT: ENER TECHNOLOGI				PROPRANE REFRIGERATION PACKAGE			
SERVICE: IRAG				RU-001 AB			
LOCATION: RU-001 AB							
UNIT TAG NO:							
VENDOR LOGO							
Contract No.		P.O No.		ENER-MME-2024-100-001		SCALE	
DRAWING TITLE: JUNCTION BOX SUPPORT							
DRAWING NO. MPE007- JB-SPRT-01				REV.	SHEET No.	SIZE	
				0	1 OF 1	D	