

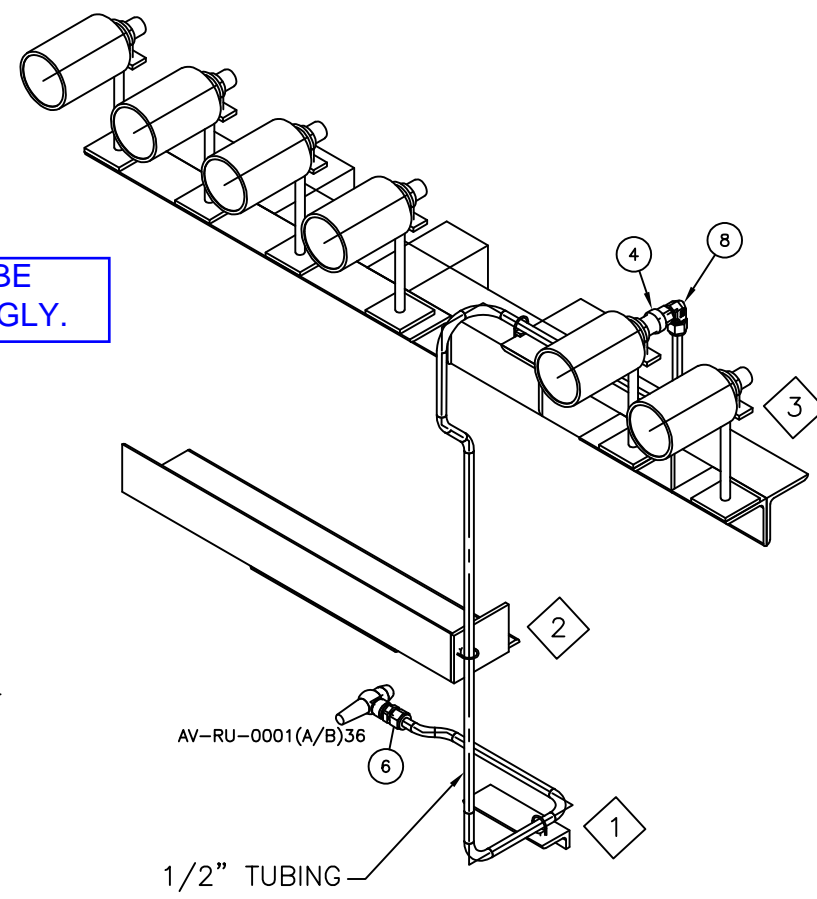
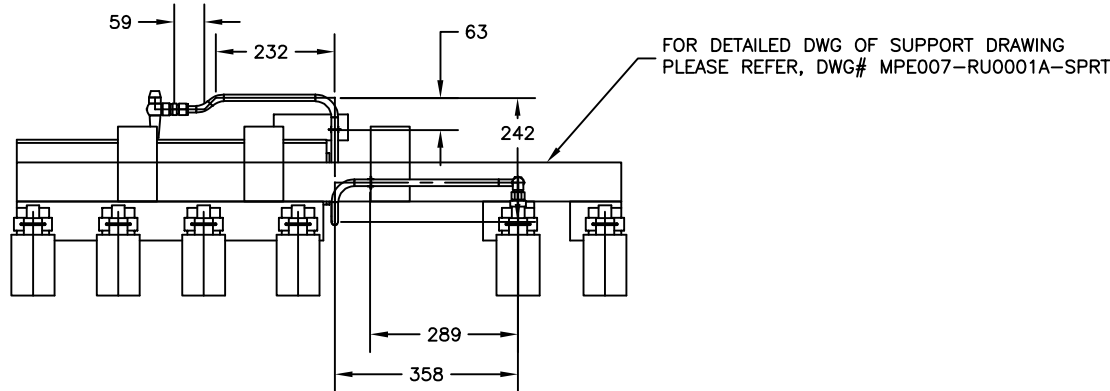
BILL OF MATERIALS			
ID	QTY	SCH/CLASS	DESCRIPTION
1	2030 MM		TUBING, ASTM A269, SEAMLESS - 316SS
2	4		BEND 45 5R, TUBING, ASTM A269, 316SS
3	5		BEND 90 5R, TUBING, ASTM A269, 316SS
4	1		MaleStub1/2NPT(M) x 1/2" Tube
5	6		PRESSURE TRANSMITTER 1/2" NPT(F)
6	1		Male Connector 3/8 NPT x 1/2 T
7	1		ANGLE VALVE 3/8" NPT(M) X 3/8" NPT(F)
8	1		Female Union Elbow 1/2" T x 1/2" T
9	3		U-clamp

Please add 2 way manifold (Both sides NPTF). it will be purchased from manual valve manufacturer. please add this manifold in part list

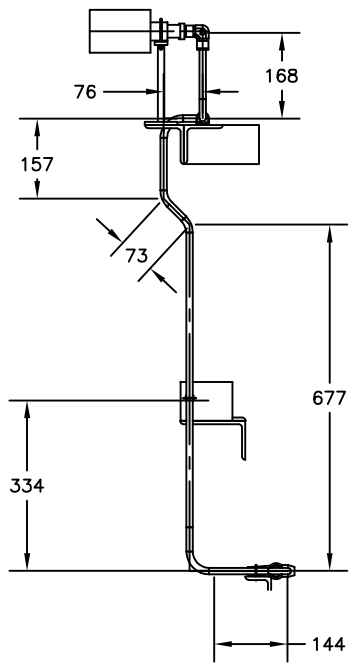
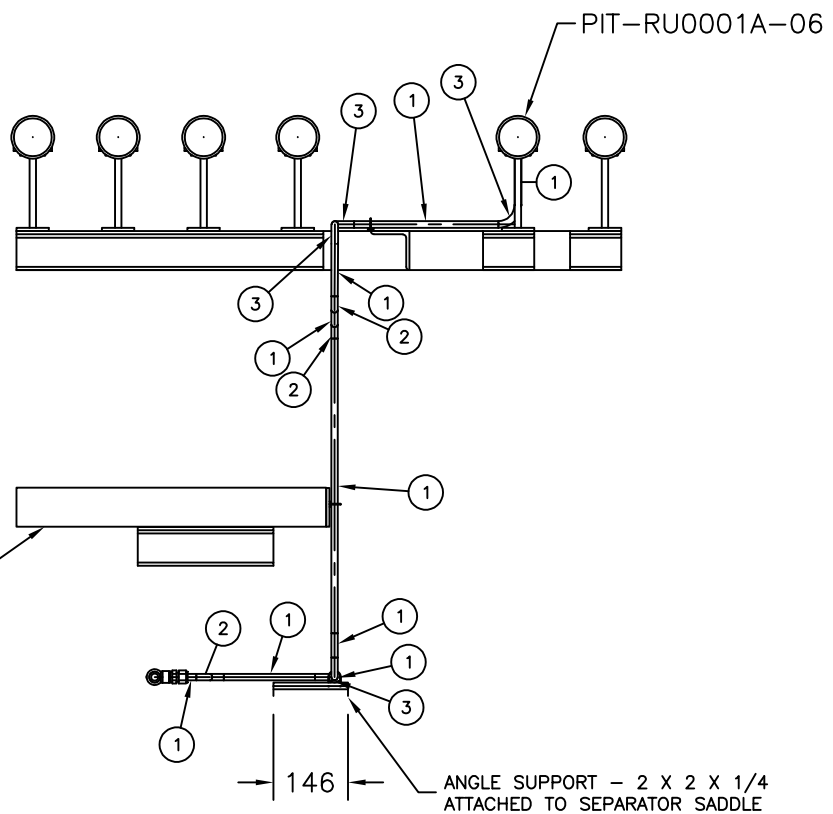
MME : NOTED, WILL BE REVISED ACCORDINGLY.

NPTM

MME: NOTED



NOTES:
 1. ALL TAGS ARE LABELED AS FOLLOWS, PIT-RU0001(A/B)-01 WHERE 'A' STANDS FOR UNIT 1 & 'B' STANDS FOR UNIT 2.
 FOR EXAMPLE:
 - PIT-RU0001A-01 FOR UNIT 1
 - PIT-RU0001B-01 FOR UNIT 2



0	F	16.08.24	FOR APPROVAL	AJD	AJD	IES	SES
REV.	STATUS	DATE	PURPOSE OF ISSUE	PREP.	CHKD.	APPD.	AUTH.
CLIENT: ENER TECHNOLOGI SERVICE: PROPANE REFRIGERATION PACKAGE LOCATION: IRAQ UNIT TAG NO.: RU-0001 AB				VENDOR LOGO			
Contract No.		P.O. No. ENER-MME-2024-100-001		SCALE			
DRAWING TITLE: PIT-RU0001(A/B)-06 HOOKUP DRAWING							
DRAWING NO. MPE007-PIT-RU0001(A/B)-06				REV.	SHEET No.	SIZE	
				0	1 OF 1	D	