



Toase-eh Park Sanati Gohar Ofogh
Petrochemical Co.
**CONCEPTUAL, BASIC and DETAIL DESIGN
ENGINEERING OF STYRENE PARK OFFSITE**



Document Title: Weld book WPS/PQR/Weld Map For Air
Condenser and Chiller

Document No.: EI027-HSE-VD – QC– PRO– 005- R1

Rev. R1

Page 1 of 113

STYRENE PARK OFFSITE

Document Title:

**Weld book WPS/PQR/Weld Map For Air Condenser
and Chiller**

R1	01-06-2025	IFA	F.sh	M.O	A.M
R0	03-09-2024	IFA	F.sh	M.O	A.M
Rev.	Issued Date	DESCRIPTION	PREPARED	CHECKED	APPROVED



Toase-eh Park Sanati Gohar Ofogh
Petrochemical Co.
**CONCEPTUAL, BASIC and DETAIL DESIGN
ENGINEERING OF STYRENE PARK OFFSITE**



Document Title: Weld book WPS/PQR/Weld Map For Air
Condenser and Chiller

Document No.: EI027-HSE-VD – QC– PRO– 005- R0

Rev. R0

Page 2 of 113

REVISION RECORD SHEET

Page	Revisions			Page	Revisions			Page	Revisions		
	R0	R1	R2		R0	R1	R2		R0	R1	R2
1	X	X		38	X	X		75	X	X	
2	X	X		39	X	X		76	X	X	
3	X	X		40	X	X		77	X	X	
4	X	X		41	X	X		78	X	X	
5	X	X		42	X	X		79	X	X	
6	X	X		43	X	X		80	X	X	
7	X	X		44	X	X		81	X	X	
8	X	X		45	X	X		82	X	X	
9	X	X		46	X	X		83	X	X	
10	X	X		47	X	X		84	X	X	
11	X	X		48	X	X		85	X	X	
12	X	X		49	X	X		86	X	X	
13	X	X		50	X	X		87	X	X	
14	X	X		51	X	X		88	X	X	
15	X	X		52	X	X		89	X	X	
16	X	X		53	X	X		90	X	X	
17	X	X		54	X	X		91	X	X	
18	X	X		55	X	X		92	X	X	
19	X	X		56	X	X		93	X	X	
20	X	X		57	X	X		94	X	X	
21	X	X		58	X	X		95	X	X	
22	X	X		5960	X	X		96	X	X	
23	X	X		61	X	X		97	X	X	
24	X	X		62	X	X		98	X	X	
25	X	X		63	X	X		99	X	X	
26	X	X		64	X	X		100	X	X	
27	X	X		65	X	X		101	X	X	
28	X	X		66	X	X		102	X	X	
29	X	X		67	X	X		103	X	X	
30	X	X		68	X	X		104	X	X	
31	X	X		69	X	X		105	X	X	
32	X	X		70	X	X		106		X	
33	X	X		71	X	X		107		X	
34	X	X		72	X	X		108		X	
35	X	X		73	X	X		109		X	
36	X	X		74	X	X		113		X	



Toase-eh Park Sanati Gohar Ofogh
 Petrochemical Co.
**CONCEPTUAL, BASIC and DETAIL DESIGN ENGINEERING OF
 STYRENE PARK OFFSITE**

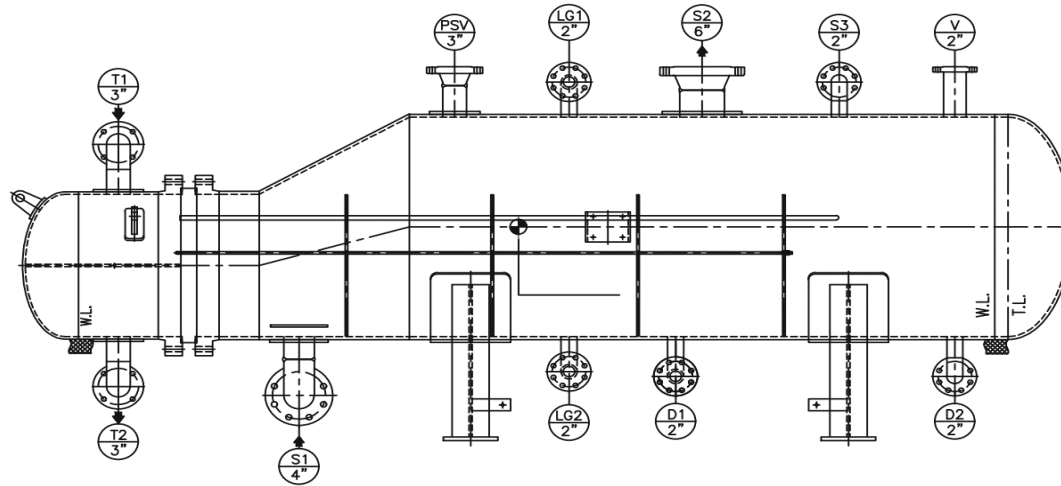


Document Title: Weld book WPS/PQR/Weld Map For Air Condenser and Chiller

Document No.: EI027-HSE-VD – QC– PRO– 005- R1

Rev. R1

Page 3 of 113



GENERAL INFORMATION			DESCRIPTION MATERIALS			
TYPE OF SERVICE		CHILLER (EVAPORATOR)		SHELL SIDE	BARREL	SA 516 Gr.70
CONSTRUCTION CODE		ASME VIII div.1 Ed.2021 & TEMA R /10th Ed. 2019			NOZZLES (FROM PIPE/PLATE/FLANGE)	SA 333-6/ SA 516 Gr.70 N/SA 350-LF2
M.D.M.T		-45 °C for Shell side & -29°C for Tube side			FLANGES	SA 350-LF2 CL1
DESCRIPTION MATERIALS			SADDLE	COUPLING / PLUG	-	
TUBE BUNDLE	TUBES	SA 334-6		WEAR PLATE	SA 516 Gr.70 N	
	TUBESHEET	SA 350-LF2 CL1		WEB PLATE	SA 283 Gr.C/ SA 516 Gr.70	
	BAFFLES	SA 516 Gr.70		RIB	SA 283 Gr.C/ SA 516 Gr.70	
	TIE RODS / SPACERS	SA 36/SA 179	EARTHING LUG	S.S. 304		
CHANNEL SIDE	BARREL	SA 516 Gr.70	APPLICABLE DOCUMENTS			
	NOZZLES (FROM PIPE/PLATE/FLANGE)	SA 106-B/SA 516-70N/SA 105N	GENERAL DRAWINGS	E1027-HSE-VD-ME-DWG-008		
	HEAD	SA 516 Gr.70	PWHT PROCEDURE	NO		
	FLANGE	SA 105 N				
	PIPE	SA 106-B				
	ELBOW	SA 234-WPB				



Toase-eh Park Sanati Gohar Ofogh
Petrochemical Co.
CONCEPTUAL, BASIC and DETAIL DESIGN ENGINEERING OF
STYRENE PARK OFFSITE

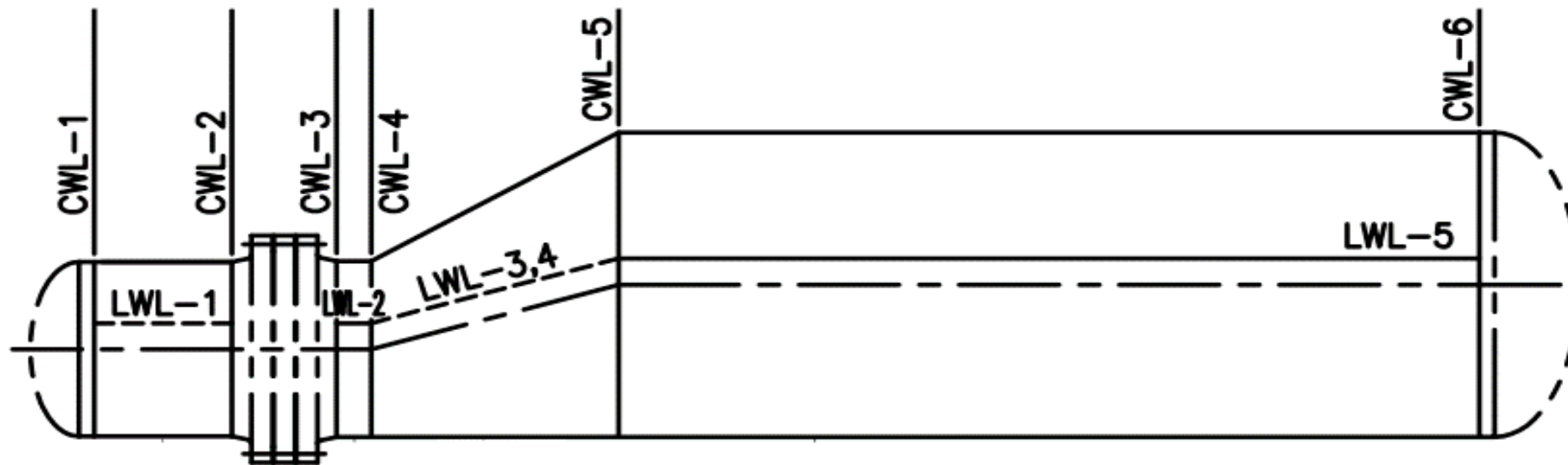


Document Title: Weld book WPS/PQR/Weld Map For Air Condenser and Chiller

Document No.: EI027-HSE-VD – QC– PRO– 005- R1

Rev. R1

Page 4 of 113





Toase-eh Park Sanati Gohar Ofogh
 Petrochemical Co.
**CONCEPTUAL, BASIC and DETAIL DESIGN ENGINEERING OF
 STYRENE PARK OFFSITE**



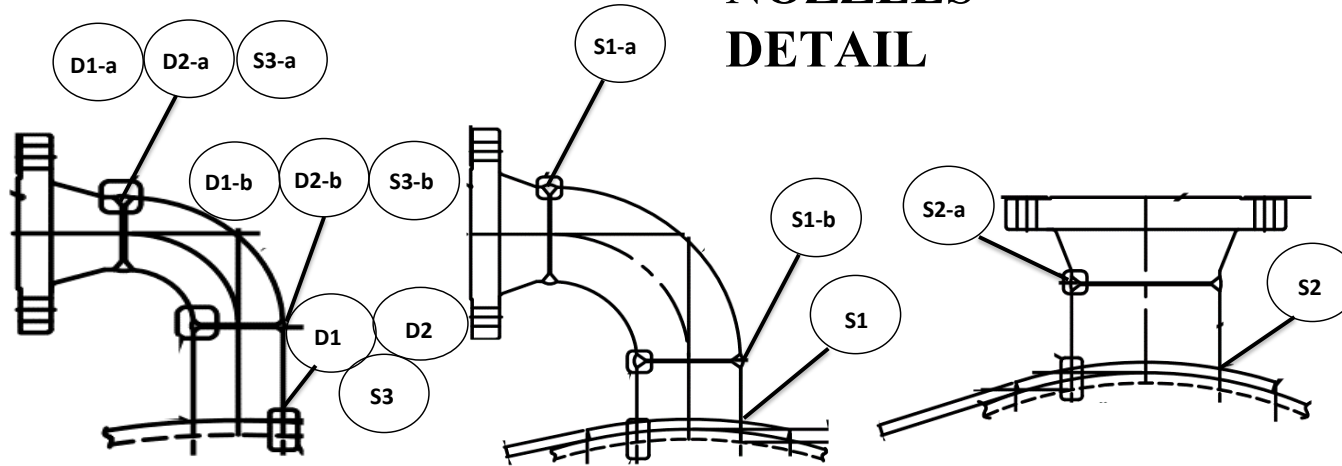
Document Title: Weld book WPS/PQR/Weld Map For Air Condenser and Chiller

Document No.: EI027-HSE-VD – QC– PRO– 005- R1

Rev. R1

Page 5 of 113

NOZZLES DETAIL



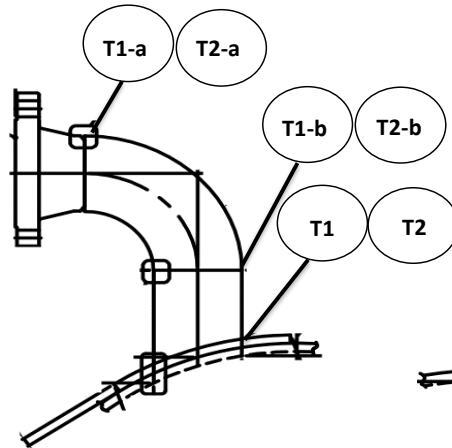
Detail for D1, D2, S3

Detail for S1

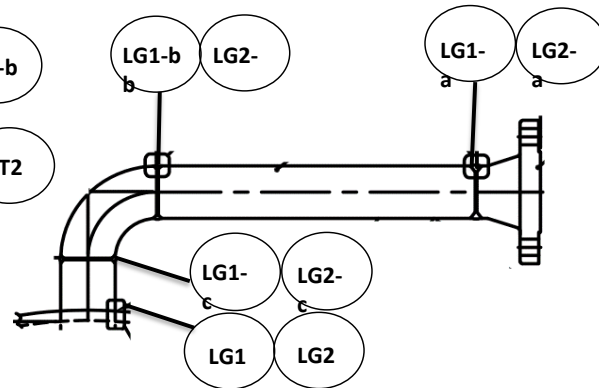
Detail for S2

NOZZLE

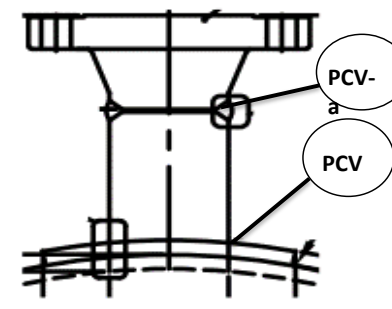
NOZZLE MARK	Q'TY /1 SET	SIZE (INCH)	FLANGE	
			RATING	SCH.
S1	1	4"	ASME B16.5 300# WN.RF	120
S2	1	6"	ASME B16.5 300# WN.RF	80
T1	1	3"	ASME B16.5 150# WN.RF	80
T2	1	3"	ASME B16.5 150# WN.RF	80
D1	1	2"	ASME B16.5 300# LWN.RF	160
D2	1	2"	ASME B16.5 300# LWN.RF	160
LG1	1	2"	ASME B16.5 300# WN.RF	160
LG2	1	2"	ASME B16.5 300# WN.RF	160
PSV	1	3"	ASME B16.5 300# WN.RF	160
V	1	2"	ASME B16.5 300# LWN.RF	t16.6
S3	1	2"	ASME B16.5 300# WN.RF	160



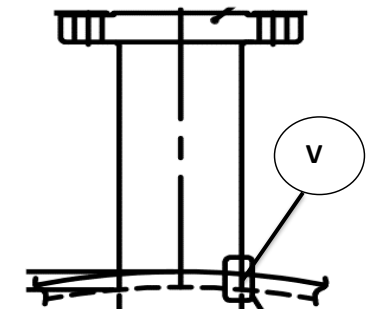
Detail for T1, T2



Detail for LG1, LG2



Detail for PSV



Detail for V



Toase-eh Park Sanati Gohar Ofogh
 Petrochemical Co.
**CONCEPTUAL, BASIC and DETAIL DESIGN ENGINEERING OF
 STYRENE PARK OFFSITE**

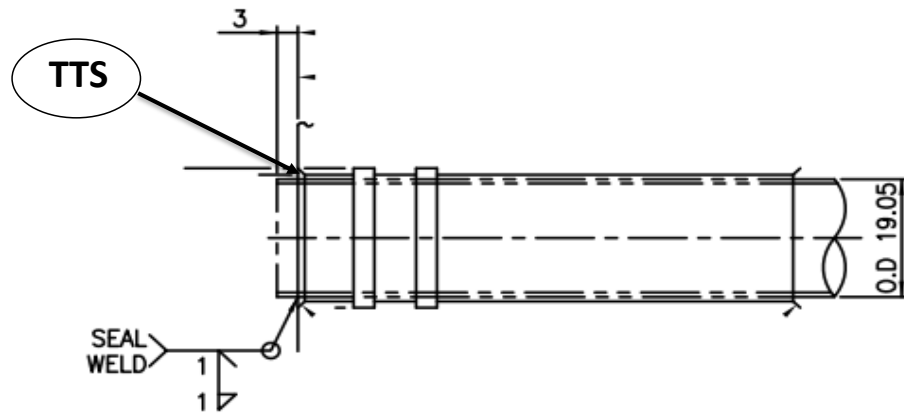


Document Title: Weld book WPS/PQR/Weld Map For Air Condenser and Chiller

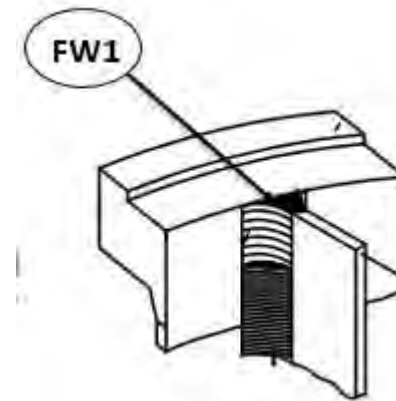
Document No.: EI027-HSE-VD – QC– PRO– 005- R1

Rev. R1

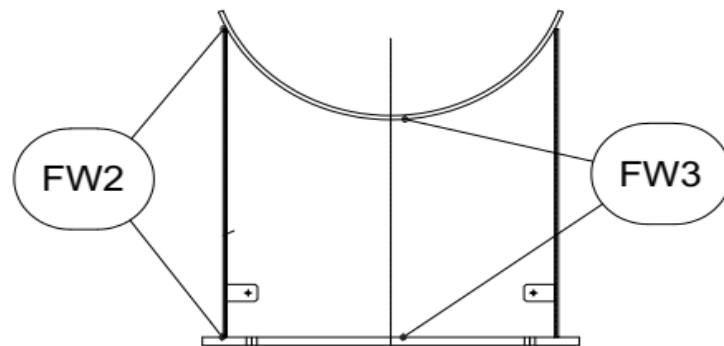
Page 6 of 113



TUBE TO TUBESHEET JOINT



PARTITION PLATE DETAIL



SADDLE DETAIL



Toase-eh Park Sanati Gohar Ofogh
Petrochemical Co.
**CONCEPTUAL, BASIC and DETAIL DESIGN ENGINEERING OF
STYRENE PARK OFFSITE**



Document Title: Weld book WPS/PQR/Weld Map For Air Condenser and Chiller

Document No.: EI027-HSE-VD – QC– PRO– 005- R1

Rev. R1

Page 7 of 113

Joint Type	Schematic	Joint
A		LWL-1~LWL-5
B		CWL-1
C		CWL-2,3
D		CWL-4
E		CWL-5
F		CWL-6
G		T1-a,T1-b,T2-a,T2-b,S1-a,S1-b,S2-a,PSV-a,LG1-a,LG2-a,S3-a,LG1-b,LG1-c,LG2-b,LG2-c,T1-a,T1-b,T2-a,T2-b
H		T1,T2,S1,S2,PSV
I		LG1,LG2,D1,D2 ,S3,V
J		TTS
K		FW1,FW2,FW3



Toase-eh Park Sanati Gohar Ofogh Petrochemical Co.
CONCEPTUAL, BASIC and DETAIL DESIGN ENGINEERING OF STYRENE PARK OFFSITE



Document Title: Weld book WPS/PQR/Weld Map For Air Condenser and Chiller

Document No.: EI027-HSE-VD – QC– PRO– 005- R1

Rev. R1

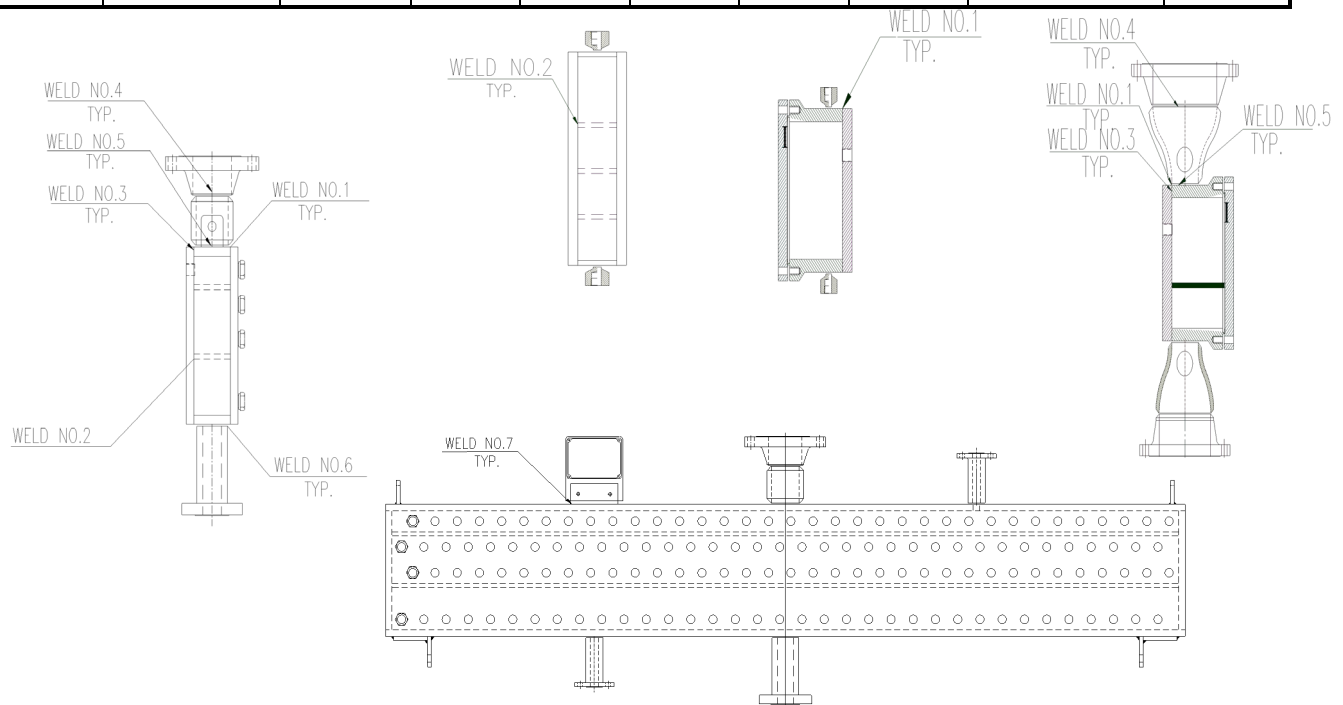
Page 8 of 113

WELDS LIST for Chiller

WELD IDENTIFICATION	WELDING PROCESS	BASE MATERIAL		W.P.S.		P.Q.R.		Joint Type	IMPACT TEST	PWHT	NDT
		TYPE AND GRADE	THK. (mm)	NUMBER	REV.	NUMBER	QUALIFIED RANGE(mm)				
LWL-1	GTAW+SMAW	SA-516 Gr.70N	10	WPS-HX127-001	0	FPA-PQR-029	5:50	A	N.A.	N.A.	100% RT
		SA-516 Gr.70N									
LWL-2~LWL-4	GTAW+SMAW/SMAW	SA-516 Gr.70N	12	WPS-HX127-001	0	FPA-PQR-029	5:50	A	N.A.	N.A.	100% RT
		SA-516 Gr.70N									
LWL-5	GTAW+SMAW/SMAW+SAW	SA-516 Gr.70N	12	WPS-HX127-002	0	FPA-PQR-029	5:50	A	N.A.	N.A.	100% RT
		SA-516 Gr.70N									
CWL-1	GTAW+SMAW/GTAW+SMAW+SAW	SA-516 Gr.70N	10	WPS-HX127-002	0	FPA-PQR-029	5:50	B	N.A.	N.A.	100% RT
		SA-516 Gr.70N									
CWL-2	GTAW+SMAW/GTAW+SMAW+SAW	SA-516 Gr.70N	10	WPS-HX127-002	0	FPA-PQR-029	5:50	C	N.A.	N.A.	100% RT
		SA-266-2N									
CWL-3	GTAW+SMAW/SMAW+SAW	SA-516 Gr.70N	12	WPS-HX127-002	0	FPA-PQR-029	5:50	C	N.A.	N.A.	100% RT
		SA-266-2N									
CWL-4	GTAW+SMAW/SMAW+SAW	SA-516 Gr.70N	12	WPS-HX127-002	0	FPA-PQR-029	5:50	D	N.A.	N.A.	100% RT
		SA-516 Gr.70N									
CWL-5,CWL-6	GTAW+SMAW/SMAW+SAW	SA-516 Gr.70N	12	WPS-HX127-002	0	FPA-PQR-029	5:50	E	N.A.	N.A.	100% RT
		SA-516 Gr.70N									
T1,T2	GTAW+SMAW	SA-106 Gr.B	10	WPS-HX127-001	0	FPA-PQR-029	5:50	H	N.A.	N.A.	100% UT
		SA-516 Gr.70N									
S1,S2,PSV	GTAW+SMAW	SA-333 Gr.6	12	WPS-HX127-001	0	FPA-PQR-029	5:50	H	N.A.	N.A.	100% UT
		SA-516 Gr.70N									
LG1, LG2,D1,D2,S3	GTAW+SMAW	SA-333 Gr.6	12	WPS-HX127-001	0	FPA-PQR-029	5:50	I	N.A.	N.A.	100% UT
		SA-516 Gr.70N									
V	GTAW+SMAW	SA-350 LF2	12	WPS-HX127-001	0	FPA-PQR-029	5:50	I	N.A.	N.A.	100% UT
		SA-516 Gr.70N									
T1-a,T1-b,T2-a,T2-b	GTAW+SMAW/GTAW	SA-106 Gr.B	7.62	WPS-HX127-001	0	FPA-PQR-029	5:50	G	N.A.	N.A.	100% PT
		SA 234 WPB6									
		SA-105N									
S1-a,S1-b, S2-a,PSV-a,LG1-a, LG2-a,S3-a	GTAW+SMAW	SA-333 Gr.6	8.74, 11.13, 10.97	WPS-HX127-001	0	FPA-PQR-029	5:50	G	N.A.	N.A.	100% PT
		SA-420 WPL6									
		SA-350 LF2									

NDT TABLE for Air Cooler

WELD NO.	WPS No.	PQR No.	RT before PWHT (Note3)		UT BEFORE PWHT		Visual Check	Hardness After P.W.H.T	PT AFTER PWHT
			Long.	Circ.	Long.	Circ.			
<u>1</u>	<u>DS11-W010/01</u>	<u>P052</u>	-	-	<u>Note 2</u>	-	100%	225 (HB) MAX.	10%
<u>2</u>	<u>DS11-W010/02</u>		-	-	-	-	100%	225 (HB) MAX.	-
<u>3</u>	<u>DS11-W011/01</u>	<u>P052</u>	-	-	<u>100%</u>	-	100%	225 (HB) MAX.	10%
<u>4</u>	<u>DS11-W012/01</u>		-	<u>100%</u>	-	-	100%	225 (HB) MAX.	10%
<u>5</u>	<u>DS11-W012/02</u>		-	-	<u>100%</u>	-	100%	224 (HB) MAX.	10%
<u>6</u>	<u>DS11-W012/03</u>		-	-	-	100%	100%	225 (HB) MAX.	10%
<u>7</u>	<u>DS11-W014/01</u>		-	-	-	-	100%	225 (HB) MAX.	10%



NOTES:

1) Visual check should be applied For Internal, External, Pressure Parts, NON Perssure Parts And any Applied Weldings.

2) 100% of the length should be ultrasonic tested .

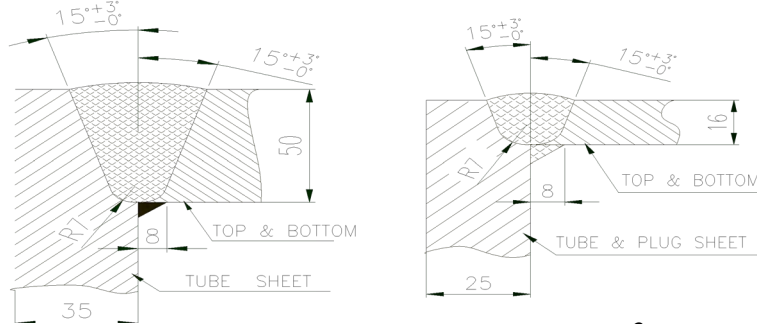
3) Regarding Header box geometry , RT examination can be used only for flange to nozzle weld .

4) Spot radiographic or ultrasonic examinations shall include each start and stop of weld made by the automatic submerged arc-welding process and repaired areas of burn-through.

WELD MAP for Air Cooler

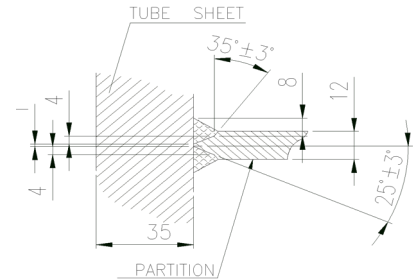
1

TOP & BOTTOM PLATE TO TUBE SHEET & PLUG SHEET



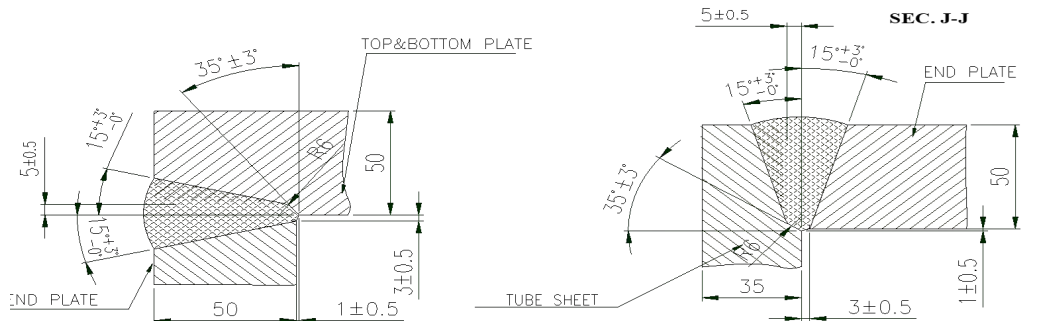
2

PARTITION OR STIFFENER TO TUBE SHEET & PLUG SHEET

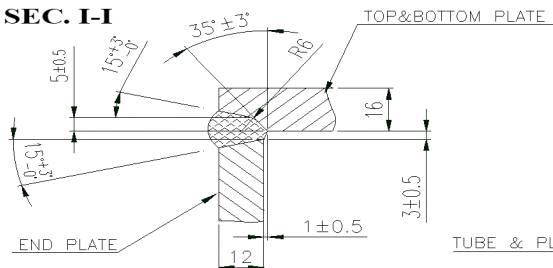


3

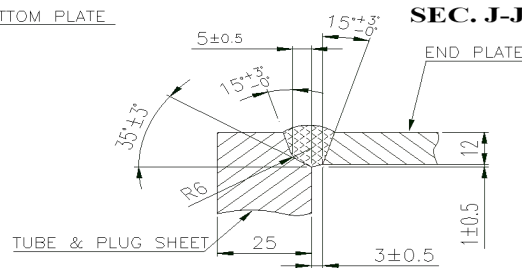
END PLATE TO TUBE SHEET AND PLUG SHEET & TOP AND BOTTOM PLATE & PARTITION OR STIFFENER



SEC. I-I

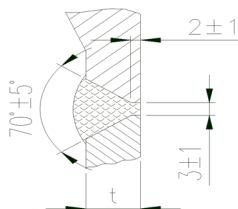


SEC. J-J



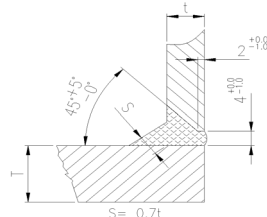
4

OBROUND/ PIPE NOZZLE TO FLANGE



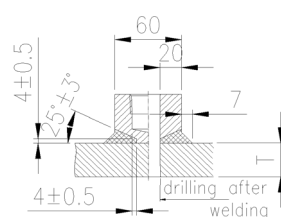
5

PIPE & VENT OR DRAIN FLANGE TO TOP & BOTTOM PLATE



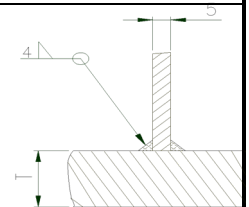
6

COUPLING TO TOP & BOTTOM PLATE



7

NAME PLATE BRACKET AND OTHER ACCESSORIES TO HEADER BOXES

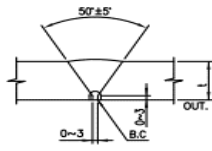




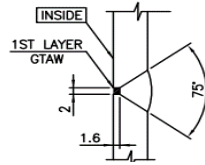
WELDING PROCEDURE SPECIFICATION

WPS No.	WPS-HX127-001
Rev.	1
PQR No.	FPA-PQR-029

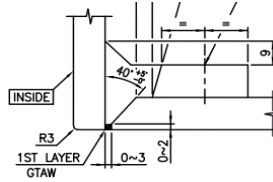
Joint Prep.: Machining/ Grinding



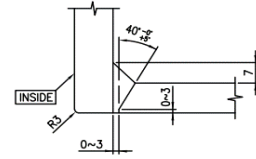
LWL-1~LWL-4



T1-a,T1-b,T2-a,T2-b,S1-a,S1-b,S2-a,PSV-a,LG1-a,LG2-a,S3-a,LG1-b,LG1-c,LG2-b,LG2-c,T1-a,T1-b,T2-a,T2-b



T1,T2,S1,S2,PSV



LG1,LG2,D1,D2 ,S3,V

QW-403 Base Material

SA-516 Gr.70N,SA-333 Gr.6, SA-105N, SA-234 WPB6, SA420 WPL6	to	SA-516 Gr.70N, SA-106 Gr.B,SA-350 LF2,SA-105N,SA-234 WPB6	Thk. Qualified	5~50 mm
P No. 1	Gr. No. 1,2	P No. 1	Gr. No. 1,2	Dia. Qualified N.A
				Fillet Weld N.A

QW-405 Welding Process

Zone or Layer	1	2	
Welding Process	GTAW	SMAW	
Type	MANUAL	MANUAL	
Max. Weld Metal THK.(mm)	6mm	22mm	
Max. Weld Metal THK per pass.(mm)	13mm	13mm	
Welding Position	ALL POSITION	ALL POSITION	
Backing	NO	YES	

QW-404 Filler Metal & Backing

Type	Trade Name	Dia(mm)	Supplier	S.F.A	F No.	A No.	AWS Classification
Solid(Tig) Wire	ST-50.6	2.4	HYUNDAI	5.18	6	1	ER70S-6
Electrode	S-7018.1H	3.2,4	AMA	5.1	4	1	E7018-1

NOTE: HYUNDAI OR EQUIVALENT

QW-409 Welding Parameter

Process	Φ mm	Polarity Type	Parameters			Travel speed (cm/min)	Heat input (kj/cm)
			wire speed	Amper(A)	Volt(v)		
GTAW (ROOT)	2.4	DCEN	-	100~120	10~14	8~10	-
SMAW	3.2	DCEP	-	140~160	22~26	18~21	-
SMAW	4	DCEP	-	150~170	25~28	19~23	-

QW-410 Technique

Bead Type	STRING	Current Type	DC	Shielding Gas	Ar99.98%
Osillation	NO	Electrode Spacing	N.A.	Flow Rate L/min	10~12
Welding Progression	Uphill	Φ Tungst & type	2.4 & EWTb-2	AWS Classified	A5.32 SG-A
Stick-Out(mm)	NA	Orifice Gas	N.A	Backing Gas	N.A
Single or multiple elect.	SINGLE	Peening	No	Flow Rate L/min	N.A
Multipass or Singlepass	MULTIPASS	Cleaning	Brushing,Grinding	Trailing Gas	N.A
Transfer Mode	N.A.	Back Gouge Method	Grinding	Flow Rate L/min	N.A

Note:

QW-406 & QW-407 Preheating & PWHT

Preheat temp.(min °C)	25	Method of heating	By Flame
Interpass tem.(Max. °C)	250	Method of checking	Tempilstick
Postheating & Time(°C & h)	-		
Post weld heat treatment(°C & h)	-	Aplicable procedure	-

Prepared By

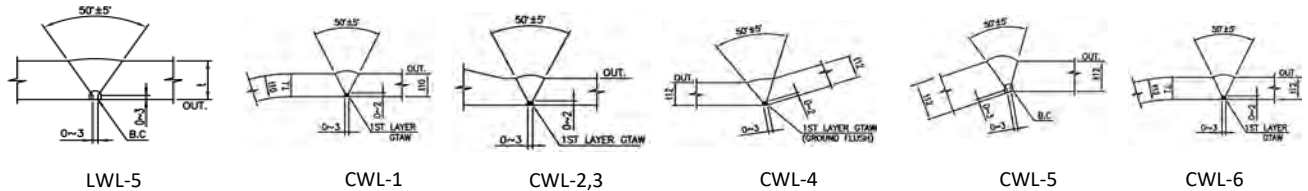
Reviewed By Owner



WELDING PROCEDURE SPECIFICATION

WPS No.	WPS-HX127-002
Rev.	1
PQR No.	FPA-PQR-029

Joint Prep.: Machining/ Grinding



QW-403 Base Material

SA-516 Gr.70 N		to	SA-516 Gr.70 N,SA-106 Gr.B				Thk. Qualified	5~50 mm	
P No.	1		Gr. No.	2	P No.	1	Gr. No.	1,2	Dia. Qualified
								Fillet Weld	N.A

QW-405 Welding Process

Zone or Layer	1	2	3
Welding Process	GTAW	SMAW	SAW
Type	MANUAL	MANUAL	SEMI-AUTOMATIC
Max. Weld Metal THK.(mm)	6mm	22mm	22 mm
Max. Weld Metal THK per pass.(mm)	13mm	13mm	13mm
Welding Position	ALL POSITION	ALL POSITION	1G
Backing	NO	YES	YES

QW-404 Filler Metal & Backing

Type	Trade Name	Dia(mm)	Supplier	S.F.A	F No.	A No.	AWS Classification
Solid(Tig) Wire	ST-50.6	2.4	HYUNDAI	5.18	6	1	ER70S-6
Electrode	S-7018.1H	4	HYUNDAI	5.1	4	1	E7018-1
Wire (SAW)	M-12K	4	HYUNDAI	5.17	6	1	EM12K
Flux for SAW	S-717	-	HYUNDAI	-	-	-	F7A6

NOTE: HYUNDAI OR EQUIVALENT

QW-409 Welding Parameter

Process	Φ mm	Polarity Type	Parameters			Travel speed (cm/min)	Heat input (kj/cm)
			wire speed	Amper(A)	Volt(v)		
GTAW (ROOT)	2.4	DCEN	-	100~120	10~14	10~12	-
SMAW	4	DCEP	-	140~160	22~26	18~21	-
SAW	4	DCEP	-	400~450	28~31	40~50	-

QW-410 Technique

Bead Type (String or Weave)	Both	Current Type	DC	Shielding Gas	Ar99.98%
Osillation	NO	Electrode Spacing	N.A.	Flow Rate L/min	10~12
Welding Progression	Uphill	Φ Tungst & type	2.4 & EWTb-2	AWS Classified	A5.32 SG-A
Stick-Out(mm)	10-20mm	Orifice Gas	10mm	Backing Gas	N.A
Single or multiple elect.	SINGLE	Peening	No	Flow Rate L/min	N.A
Multipass or Singlepass	MULTIPASS	Cleaning	Brushing,Grinding	Trailing Gas	N.A
Transfer Mode	N.A.	Back Gouge Method	Grinding	Flow Rate L/min	N.A

Note:

QW-406 & QW-407 Preheating & PWHT

Preheat temp.(min°C)	25	Method of heating	By Flame
Interpass tem.(Max.°C)	250	Method of checking	Tempilstick
Postheating & Time(°C& h)	-		
Post weld heat treatment(°C& h)	-	Applicable procedure	-

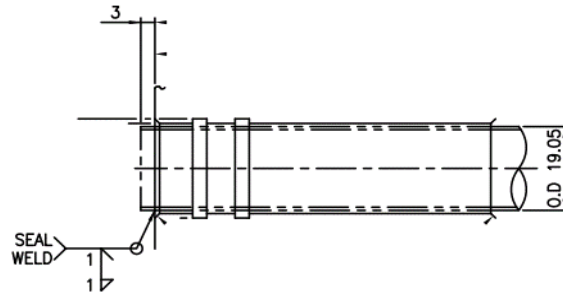
Prepared By	Reviewed By Owner



WELDING PROCEDURE SPECIFICATION

WPS No.	WPS-HX127-003
Rev.	1
PQR No.	FPA-PQR-104

Joint Prep.



Tube to Tube Sheet

QW-403 Base Material

SA-334-6	to	SA-350-LF2	Thk. Qualified	1.05:4.22
P No. 1	Gr. No. 1	P No. 1	Dia. Qualified	N.A
		Gr. No. 2	Fillet Weld	N.A

QW-405 Welding Process

Zone or Layer	1		
Welding Process	GTAW		
Type	Automatic		
Max. Weld Metal.(mm)	3mm		
Welding Position	5G		
Backing	YES		

QW-404 Filler Metal & Backing

Type	Trade Name	Dia(mm)	Supplier	S.F.A	F No.	A No.	AWS Classification
Wire	-	0.8	Bohler	5.18	6	1	ER70S-6

QW-409 Welding Parameter

Process	Φ mm	Polarity Type	Parameters			Travel speed (cm/min)	Heat input (kj/cm)
			wire speed	Amper(A)	Volt(v)		
GTAW	0.8	DCEN	-	80-160	8-12	5-7	-

QW-410 Technique

Bead Type	STRING	Current Type	DC	Shielding Gas	Ar 99.98%
Osillation	NO	Electrode Spacing	N.A.	Flow Rate L/min	10~12
Welding Progression	N.A	Φ Tungst & type	2.4 & EWTh-2	AWS Classified	A5.32 SG-A
Stick-Out(mm)	N.A	Orifice Gas	-	Backing Gas	N.A
Single or multiple elect.	SINGLE	Penning	No	Flow Rate L/min	N.A
Multipass or Singlepass	MULTIPASS	Cleaning	Brushing	Trailing Gas	N.A
				Flow Rate L/min	N.A

Note:

-100% PT shall be done after back gouging.

QW-406 & QW-407 Preheating & PWHT

Preheat temp.(min°C)	20	Method of heating	By Flame
Interpass tem.(Max.°C)	220	Method of checking	Tempilstick
Postheating & Time(°C& h)	-		
Post weld heat treatment(°C& h)	-	Aplicable procedure	-

Prepared by FPA

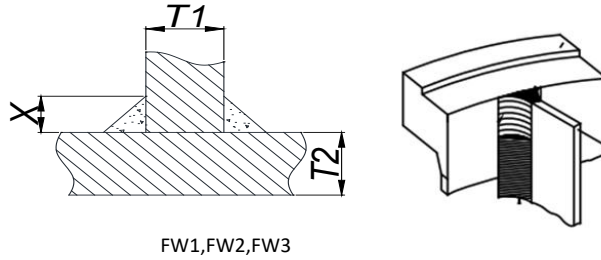
Reviewed By Owner



WELDING PROCEDURE SPECIFICATION

WPS No.	WPS-HX127-004
Rev.	1
PQR No.	FPA-PQR-029

Joint Prep.



QW-403 Base Material

SA-516 Gr.70,SA-283 Gr.C				to	SA-516 Gr.70				Thk. Qualified	5~50 mm
P No.	1	Gr. No.	1,2		P No.	1	Gr. No.	2	Di. Qualified	ALL
									Fillet Weld	ALL

QW-405 Welding Process

Zone or Layer	1~N		
Welding Process	SMAW		
Type	MANUAL		
Max. Weld Metal THK.(mm)	ALL		
Max. Weld Metal THK per pass.(mm)	13mm		
Welding Position	1G		
Backing	Yes		

QW-404 Filler Metal & Backing

Type	Trade Name	Dia(mm)	Supplier	S.F.A	F No.	A No.	AWS Classification
Electrode	S-7018.1H	3,2,4	HYUNDAI	5.1	4	1	S-7018.1H

NOTE: AMA OR EQUIVALENT

QW-409 Welding Parameter

Process	Φ mm	Polarity Type	Parameters			Travel speed (cm/min)	Heat input (kj/cm)
			wire speed	Amper(A)	Volt(v)		
SMAW(Root)	3.2	DCEP	-	120~140	22~25	16~19	-
SMAW	4	DCEP	-	140~170	25~28	18~21	-

QW-410 Technique

Bead Type	STRING	Current Type	N.A	Shielding Gas	N.A
Osillation	NO	Electrode Spacing	N.A	Flow Rate L/min	N.A
Welding Progression	N.A	Φ Tungst & type	N.A	AWS Classified	N.A
Stick-Out(mm)	N.A	Orifice Gas	N.A	Backing Gas	N.A
Single or multiple elect.	SINGLE	Penning	No	Flow Rate L/min	N.A
Multipass or Singlepass	MULTIPASS	Cleaning	Brushing& Grinding	Trailing Gas	N.A
Transfer Mode	N.A.	Gas		Flow Rate L/min	N.A

Note:

QW-406 & QW-407 Preheating & PWHT

Preheat temp.(min°C)	25	Method of heating	By Flame
Interpass tem.(Max.°C)	250	Method of checking	Tempilstick
Postheating & Time(°C& h)	-		
Post weld heat treatment(°C& h)	-	Aplicable procedure	-

Prepared By

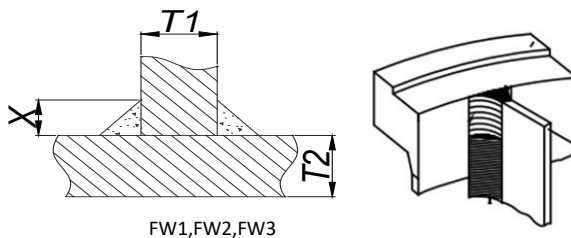
Reviewed By Owner



WELDING PROCEDURE SPECIFICATION

WPS No.	<u>WPS-HX127-005</u>
Rev.	1
PQR No.	<u>FPA-PQR-027</u>

Joint Prep.



Fillet Weld, Leg

QW-403 Base Material

SA-516 Gr.70,SA-283 Gr.C	to	SA-516 Gr.70	Thk. Qualified	-
P No. 1 Gr. No. 1,2		P No. 1 Gr. No. 2	Dia. Qualified	N.A
			Fillet Weld	ALL

QW-405 Welding Process

Zone or Layer	1
Welding Process	GMAW
Type	SEMI-AUTOMATIC
Max. Weld Metal THK.(mm)	ALL FOR FILLET
Max. Weld Metal THK per pass.(mm)	13mm
Welding Position	ALL POSITION
Backing	Yes

QW-404 Filler Metal & Backing

Type	Trade Name	Dia(mm)	Supplier	S.F.A	F No.	A No.	AWS Classification
MIG WIRE		1.2	-	5.18	6	1	ER70S-6

QW-409 Welding Parameter

Process	Φ mm	Polarity Type	Parameters			Travel speed (cm/min)	Heat input (kj/cm)
			wire speed	Amper(A)	Volt(v)		
GMAW	1.2	DCEP	-	185~250	22~28	18~25	-
GMAW	1.2	DCEP	-	185~250	22~28	18~25	-

QW-410 Technique

Bead Type	STRING	Current Type	N.A	Shielding Gas	100%CO2
Osillation	NO	Electrode Spacing	N.A	Flow Rate L/min	15-20
Welding Progression	N.A	Φ Tungst & type	N.A	AWS Classified	N.A
Stick-Out(mm)	10-20	Orifice Gas	N.A	Backing Gas	N.A
Single or multiple elect.	SINGLE	Penning	No	Flow Rate L/min	N.A
Multipass or Singlepass	MULTIPASS	Cleaning	Brushing& Grinding	Trailing Gas	N.A
Transfer Mode	GLOBULAR	Gas	-	Flow Rate L/min	N.A

Note:

QW-406 & QW-407 Preheating & PWHT

Preheat temp.(min°C)	25	Method of heating	By Flame
Interpass tem.(Max.°C)	250	Method of checking	Tempilstick
Postheating & Time(°C& h)	-		
Post weld heat treatment(°C& h)	-	Aplicable procedure	-

Prepared By

Reviewed By Owner



PROCEDURE QUALIFICATION RECORD(PQR)

PQR.NO

PQR No.: FPA-PQR-029

Doc Title:

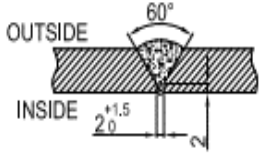
Weld book WPS/PQR/Weld Map For Air Condenser and Chiller

Rev.

R1

Welding Process(es): **GTAW, SMAW, SAW**Type: **MANUAL & MACHINE****JOINT DESIGN (QW-402)**

Bead No.	Welding Process	Filler/Electrode Metal	Size (mm)	Amps. (A)	Volt. (V)	Travel Speed (Cm/Min)	Heat Input (Kj/Cm)
Root	GTAW	ER70S-6	2.4	115~165	10~12	8~10	-
Fill	SMAW	E7018-1	4	163~175	22~25	20~27	-
Fill&Cap (outside)	SAW	E7018-1	4	430~450	28~32	45~55	-
Back Weld	-	-	-	-	-	-	-

**BASE METALS (QW.403)****POST WELD HEAT TREATMENT (QW.407)**Material Spec.: **SA-516 Gr.70 TO SA-516 Gr.70**

Temperature (°C):

-

P.NO.: **1** Group NO.: **2** TO P.NO.: **1** Group No.: **2**

Heating/Cooling Rate(°C/hr):

-

Thickness of Test Coupon (mm) :

25

Holding Time (Min):

-

Diameter of Test Coupon :

-

Other:

-

Deposit Weld Metal Thickness(mm)

25**FILLER METAL(QW.404)****GAS (QW.408)**

SFA Specification:

5.18, 5.1, 5.17

Gas(es)

Mixture

Flow Rate (L/Min)

AWS Class:

ER70S-6,E7018-1,EM12K

Shielding

Ar**99.98% Ar****10~12**

F NO.:

6, 4, 6

Trailing

-

-

-

A NO.:

1

Backing

-

-

-

Size (mm):

2.4, 4, 4**ELECTRICAL CHARACTERISTICS (QW.409)**

Other:

-

Current:

DC**POSITION (QW.405)**

Polarity :

EN for GTAW, EP for SMAW&SAW

Position of Groove :

1G

Tungsten Electrode Type:

EWTb-2

Weld Progression:

-

Tungsten Electrode Size:

2.4

Backing

NO

Other:

-

PREHEAT (QW.406)**TECHNIQUE (QW.410)**

Preheat Temp. (°C):

30

String and Weave Bead :

Both

Oscillation:

No

Interpass Temp. (°C):

Max.220

Single/Multiple Pass:

Multiple

Single/Multiple Electrode:

Single

Other:

-

Other:

-



PROCEDURE QUALIFICATION RECORD(PQR)

PQR.NO FPA-PQR-02

Doc Title: Weld book WPS/PQR/Weld Map For Air Condenser and Chiller

Rev. R1

TENSILE TEST (QW-150)

Specimen NO.	Size (mm)		Area (mm ²)	Ys (N/mm ²)	U.T.S (N/mm ²)	LOCATION OF FAILURE
	Width	Thickness				
1	19.26	25.03	482.07	-	537	Weld Metal
2	19.2	25.53	490.17	-	522	Weld Metal
.....
.....
.....

GUIDED-BEND TEST (QW-160)

NO.	Type of Specimen	Size(mm)		Mandrel Diameter (mm)	Angle of Bend	Result
		Width	Thickness			
1	Side I	24	10	4t	180°	Accepted
2	Side II	24	10	4t	180°	Accepted
3	Side III	24	10	4t	180°	Accepted
4	Side IV	24	10	4t	180°	Accepted
.....

TOUGHNESS TEST (QW-170)

Specimen NO.	Notch Location	Specimen Size(mm)	Test Temperature (°C)	Impact Energy (J)	Result
1	Weld	10x10x55	-49	49	separated
2	Weld	10x10x55	-49	80	separated
3	Weld	10x10x55	-49	34	separated
.....
.....
.....
.....
.....
.....

FILLET WELD TEST (QW-180)

Result-Satisfactory	YES	Penetration into Parent Metal
Impact Test		Accepted	
Bend Test		Accepted	
Vickers hardness Test		Accepted	
Tensile Test		Accepted	
Macography Test		Accepted	
Other		None	
Welder's Name	J. Yazdiani	Lab Test Report No.	34617

Prepared by:	Checked by	Verified by
F. Baviye	N. Abnavi	

تهران، کیلومتر ۲۱ جاده مخصوص کرج، ورودی شهر قدس، بلوار شهید قاسم اصغری خیابان فرنان، پلاک ۲۷ کد پستی: ۳۷۵۳۱۴۶۱۳۷ تلفن: ۴۶۸۴۱۱۲۱ (۰۲۱) و ۴۹۷۳۲۲ (۰۲۱)

درخواست کننده: فرنیکان پارس آوین

آدرس شرکت: شیراز، منطقه ویژه اقتصادی، خیابان تجارت غربی، خیابان شیراز، صنعت ۶ پلاک ۱۷

نام نمونه: FPA-PQR-029- WPS-HX120-002- SA-516 Gr.70 TO SA-516 Gr.70- Thk 25mm- GTAW(3mm) SMAW(11mm) SAW(11mm)- No PWHT

شرایط محیطی: دما: رطوبت: نمونه گیری توسط مشتری انجام شده است

شماره صفحه: ۱ از ۲

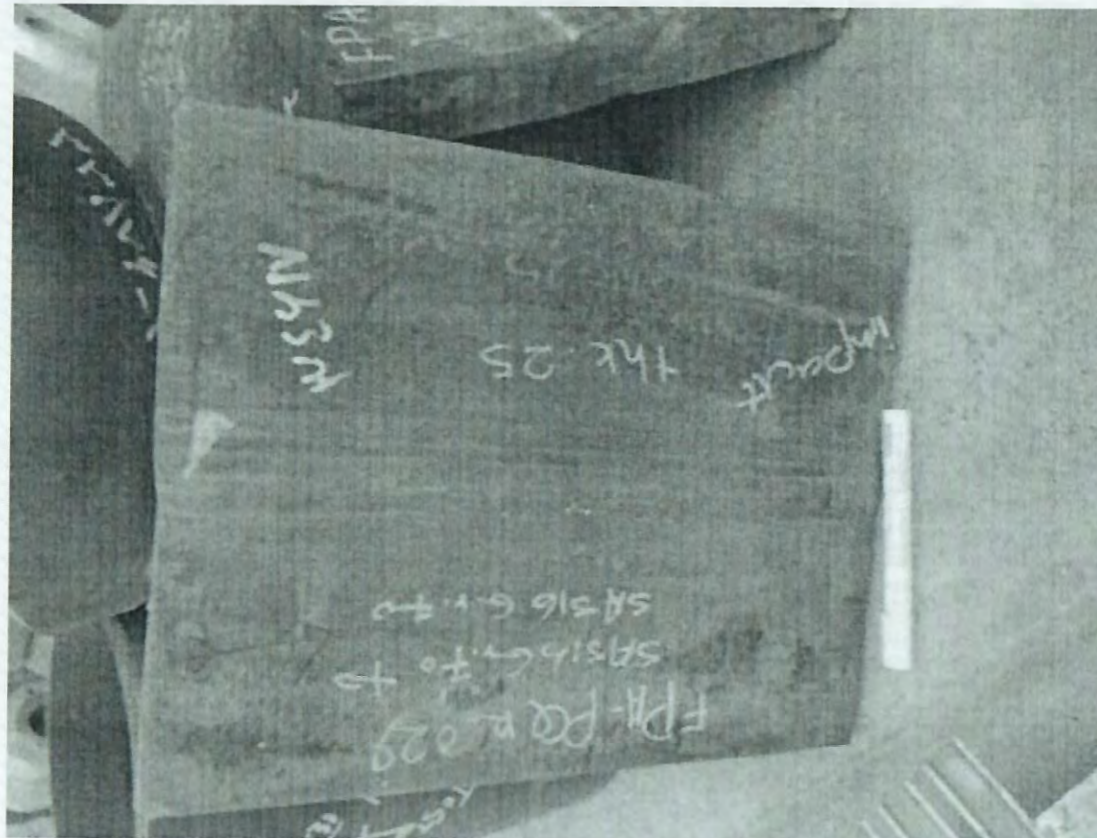
شماره پیگیری	۳۴۶۱۷-۱
تاریخ ارائه گزارش	۱۴۰۲/۱۰/۲۴
شماره ویرایش	۰
پیوست	
تاریخ دریافت نمونه	۱۴۰۲/۱۰/۰۴
تاریخ تایید انجام	۱۴۰۲/۱۰/۱۱
شماره نامه مشتری	۰۲۱۰۰۳-۰۵
تاریخ نامه مشتری	۱۴۰۲/۱۰/۰۳

ANALITICA
ILAC FULL MEMBER
ISO/IEC 17025 (2017)
Analitica
Accreditation Certificate
No.AAC.A.00223

آزمایشگاه همکار
اداره استاندارد استان تهران
گواهینامه تأیید صلاحیت شماره T/3048
تائیدیه ها:
شرکت فولاد مبارکه
شرکت سایکو
شرکت سازه گستر سایپا
شرکت نفت و گاز پارس

مدیر فنی آزمایشگاه مکانیکی
ایمان قبادی

مدیر علمی آزمایشگاه ها
رضا خوش منشر
واحد آزمایشگاه ها



رازی آفلیت جفانکا بنیادینا رازی آفلیت جفانکا بنیادینا رازی آفلیت جفانکا بنیادینا رازی آفلیت جفانکا بنیادینا رازی آفلیت جفانکا بنیادینا

- این بنیاد هیچ گونه مسئولیتی در مورد تطبیق نام نمونه با قطعه آزمون شده ندارد.
- کلیه گزارش ها توسط خط پایانی بسته شده است.
- تکثیر گزارش نتایج آزمون تنها با اجازه بنیاد و به صورت کامل امکان پذیر خواهد بود.
- نتایج فوق تنها برای نمونه های مورد آزمون قابل استناد است.
- گزارش های این بنیاد بدون حروف برجسته و هولوگرام فاقد اعتبار است.
- باقیمانده نمونه ها تنها به مدت یک ماه نگهداری خواهند شد.

تلفکس: ۰۲۱) ۴۶۸۴۱۱۲۱ و ۴۹۷۳۲ (۰۲۱)

کد پستی: ۳۷۵۳۱۴۶۳۷

تهران، کیلومتر ۲۱ جاده مخصوص کرج، ورودی شهر قدس، بلوار شهید قاسم اصغری خیابان فرنان، پلاک ۲۷

درخواست کننده: فرنیکان پارس آوین

آدرس شرکت: شیراز، منطقه ویژه اقتصادی، خیابان تجارت غربی، خیابان شیراز، صنعت ۶ پلاک ۱۷

نام نمونه: FPA-PQR-029- WPS-HX120-002- SA-516 Gr.70 TO SA-516 Gr.70- Thk 25mm- GTAW(3mm) SMAW(11mm) SAW(11mm)- No PWHT

شماره صفحه: ۲ از ۲

شرایط محیطی | دما: 25C | رطوبت: %۴۱ | نمونه گیری توسط مشتری انجام شده است

ANALITICA
ILAC FULL MEMBER
ISO/IEC 17025 (2017)
Analitica
Accreditation Certificate
No.AAC.A.00223

آزمایشگاه همکار
اداره استاندارد استان تهران
گواهینامه تایید صلاحیت شماره T/3048
تائیدیه ها:
شرکت فولاد مبارکه
شرکت ساپکو
شرکت سازه گستر سایپا
شرکت نفت و گاز پارس

آزمون ضربه

استاندارد مرجع آزمون: ASTM E23 (2023)

نوع آزمون: Charpy Impact Test

نوع ناچ: V شکل به عمق 2 mm

نوع مقطع قطعه: تخت

موقعیت نمونه برداری: weld

ردیف	ابعاد نمونه (mm)	انرژی ضربه J	میانگین J	دمای آزمون °C	نتیجه
1	10*10*55	49	54	-49	جدا شد
2	10*10*55	80			جدا شد
3	10*10*55	34			جدا شد

مدیر فنی آزمایشگاه مکانیکی

ایمان قبادی



مدیر علمی آزمایشگاه ها

رضا خوش متش

- این بنیاد هیچ گونه مسئولیتی در مورد تطبیق نام نمونه با قطعه آزمون شده ندارد.
- کلیه گزارش ها توسط خط پایانی بسته شده است.
- تکثیر گزارش نتایج آزمون تنها با اجازه بنیاد و به صورت کامل امکان پذیر خواهد بود.
- نتایج فوق تنها برای نمونه های مورد آزمون قابل استناد است.
- گزارش های این بنیاد بدون حروف برجسته و هولوگرام فاقد اعتبار است.
- باقیمانده نمونه ها تنها به مدت یک ماه نگهداری خواهند شد.

تهران، کیلومتر ۲۱ جاده مخصوص کرج، ورودی شهر قدس، بلوار شهید قاسم اصغری خیابان فرنان، پلاک ۲۷ کد پستی: ۳۷۵۳۱۴۶۱۳۷ تلفکس: ۴۶۸۴۱۱۲۱ (۰۲۱) و ۴۹۷۳۲ (۰۲۱)

درخواست کننده: فرنیکان پارس آوین

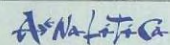
آدرس شرکت: شیراز، منطقه ویژه اقتصادی، خیابان تجارت غربی، خیابان شیراز، صنعت ۶ پلاک ۱۷

نام نمونه: FPA-PQR-029- WPS-HX120-002- SA-516 Gr.70 TO SA-516 Gr.70- Thk 25mm- GTAW(3mm) SMAW(11mm) SAW(11mm)- No PWHT

شرایط محیطی | دما: | رطوبت: | نمونه گیری توسط مشتری انجام شده است

شماره صفحه: ۱ از ۲

شماره پیگیری	۳۴۶۱۷-۲
تاریخ ارائه گزارش	۱۴۰۲/۱۰/۲۴
شماره ویرایش	۰
پیوست	
تاریخ دریافت نمونه	۱۴۰۲/۱۰/۰۴
تاریخ تایید انجام	۱۴۰۲/۱۰/۱۱
شماره نامه مشتری	۰۲۱۰۰۳-۰۵
تاریخ نامه مشتری	۱۴۰۲/۱۰/۰۳

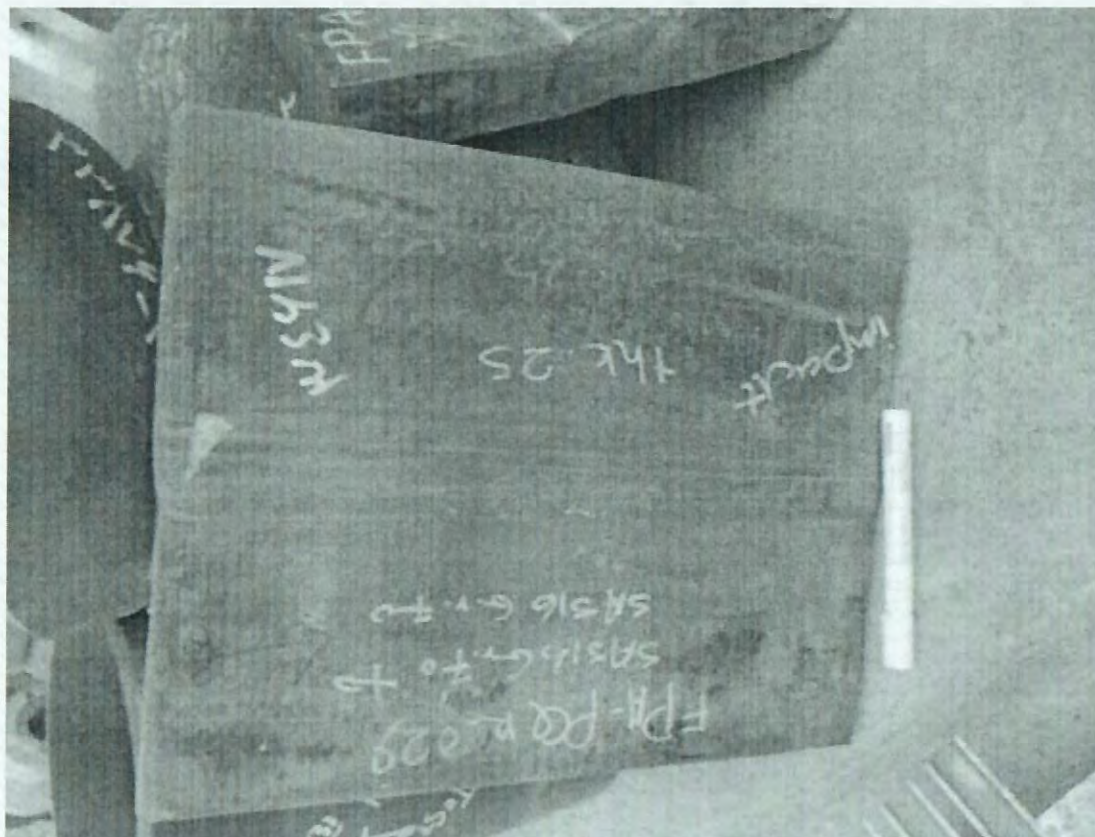


ILAC FULL MEMBER
ISO/IEC 17025 (2017)
Analitica
Accreditation Certificate
No.AAC.A.00223

آزمایشگاه همکار
اداره استاندارد استان تهران
گواهینامه تأیید صلاحیت شماره T/3048
تأییدیه ها:
شرکت فولاد مبارکه
شرکت سایکو
شرکت سازه گستر سایپا
شرکت نفت و گاز پارس

مدیر فنی آزمایشگاه مکانیکی
ایمان قبادی

مدیر علمی آزمایشگاه ها
رضا خوش منش



- این بنیاد هیچ گونه مسئولیتی در مورد تطبیق نام نمونه با قطعه آزمون شده ندارد.
- تکثیر گزارش نتایج آزمون تنها با اجازه بنیاد و به صورت کامل امکان پذیر خواهد بود.
- کلید گزارش ها توسط خط پایانی بسته شده است.
- نتایج فوق تنها برای نمونه های مورد آزمون قابل استناد است.
- گزارش های این بنیاد بدون حروف برجسته و هولوگرام فاقد اعتبار است.
- باقیمانده نمونه ها تنها به مدت یک ماه نگهداری خواهند شد.

تلفکس: ۰۲۱) ۴۶۸۴۱۱۲۱ و ۰۲۱) ۴۹۷۳۳۲

کد پستی: ۳۷۵۳۱۴۶۱۳۷

تهران، کیلومتر ۲۱ جاده مخصوص کرج، ورودی شهر قدس، بلوار شهید قاسم اصغری خیابان فرنان، پلاک ۲۷

درخواست کننده: فرنیکان پارس آوین

آدرس شرکت: شیراز، منطقه ویژه اقتصادی، خیابان تجارت غربی، خیابان شیراز، صنعت ۶ پلاک ۱۷

نام نمونه: FPA-PQR-029- WPS-HX120-002- SA-516 Gr.70 TO SA-516 Gr.70- Thk 25mm- GTAW(3mm) SMAW(11mm) SAW(11mm)- No PWHT

شماره صفحه: ۲ از ۲

شرایط محیطی: دما: 25C | رطوبت: %۴۱ | نمونه گیری توسط مشتری انجام شده است

شماره پیگیری	۳۴۶۱۷-۲
تاریخ ارائه گزارش	۱۴۰۲/۱۰/۱۶
شماره ویرایش	۰
پیوست	
تاریخ دریافت نمونه	۱۴۰۲/۱۰/۰۴
تاریخ تایید انجام	۱۴۰۲/۱۰/۱۱
شماره نامه مشتری	۰۲۱۰۰۳-۰۵
تاریخ نامه مشتری	۱۴۰۲/۱۰/۰۳

ANALITICA
ISO/IEC 17025 (2017)
Analitica
Accreditation Certificate
No.AAC.A.00223

آزمایشگاه همکار
اداره استاندارد استان تهران
گواهینامه تأیید صلاحیت شماره T/3048
تأییدیه ها:
شرکت فولاد مبارکه
شرکت ساسکو
شرکت سازه گستر سایپا
شرکت نفت و گاز پارس

آزمون خمش

استاندارد مرجع آزمون: ASME SEC IX (2023)

مقطع نمونه: ضخامت کامل

نوع مقطع آزمون: تخت

ردیف	موقعیت یا محل نمونه برداری	ضخامت * عرض (mm*mm)	قطر ماندرل (mm)	زاویه خمش (درجه)	توضیحات	نتیجه آزمون
1	Side I	24*10	4T	180	هیچگونه عیبی مشاهده نشد	Accept
2	Side II	24*10	4T	180	هیچگونه عیبی مشاهده نشد	Accept
3	Side III	24*10	4T	180	هیچگونه عیبی مشاهده نشد	Accept
4	Side IV	24*10	4T	180	هیچگونه عیبی مشاهده نشد	Accept

مدیر فنی آزمایشگاه مکانیکی

ایمان قبادی

مدیر علمی آزمایشگاه ها

رضاخوش منش

واحد آزمایشگاه ها

Razi Applied Behavior Foundation • Razi Applied Behavior Foundation • Razi Applied Behavior Foundation • Razi Applied Behavior Foundation

- این بنیاد هیچ گونه مسئولیتی در مورد تطبیق نام نمونه با قطعه آزمون شده ندارد.
- تکثیر گزارش نتایج آزمون تنها با اجازه بنیاد و به صورت کامل امکان پذیر خواهد بود.
- کلیه گزارش ها توسط خط پایانی بسته شده است.
- نتایج فوق تنها برای نمونه های مورد آزمون قابل استناد است.
- گزارش های این بنیاد بدون حروف برجسته و هولوگرام فاقد اعتبار است.
- باقیمانده نمونه ها تنها به مدت یک ماه نگهداری خواهند شد.

تهران، کیلومتر ۲۱ جاده مخصوص کرج، ورودی شهر قدس، بلوار شهید قاسم اصغری خیابان فرنان، پلاک ۲۷ کد پستی: ۳۷۵۳۱۴۶۱۳۷ تلفن: ۴۶۸۴۱۱۲۱ (۰۲۱) و ۴۹۷۳۲ (۰۲۱)

درخواست کننده: فرنیکان پارس آوین

آدرس شرکت: شیراز، منطقه ویژه اقتصادی، خیابان تجارت غربی، خیابان شیراز، صنعت ۶ پلاک ۱۷

نام نمونه: FPA-PQR-029- WPS-HX120-002- SA-516 Gr.70 TO SA-516 Gr.70- Thk 25mm- GTAW(3mm) SMAW(11mm) SAW(11mm)- No PWHT

شماره پیگیری	۳-۳۴۶۱۷
تاریخ ارائه گزارش	۱۴۰۲/۱۰/۲۴
شماره ویرایش	۰
پیوست	
تاریخ دریافت نمونه	۱۴۰۲/۱۰/۰۴
تاریخ تایید انجام	۱۴۰۲/۱۰/۱۱
شماره نامه مشتری	۰۲۱۰۰۳-۰۵
تاریخ نامه مشتری	۱۴۰۲/۱۰/۰۳

شماره صفحه: ۱ از ۲

شرایط محیطی: دما: | رطوبت: | نمونه گیری توسط مشتری انجام شده است

Analitica

ILAC FULL MEMBER

ISO/IEC 17025 (2017)
Analitica
Accreditation Certificate
No.AAC.A.00223

آزمایشگاه همکار
اداره استاندارد استان تهران
گواهینامه تایید صلاحیت شماره T/3048

تائیدیه ها:

شرکت فولاد مبارکه
شرکت ساپکو
شرکت سازه گستر سایپا
شرکت نفت و گاز پارس

مدیر فنی آزمایشگاه مکانیکی

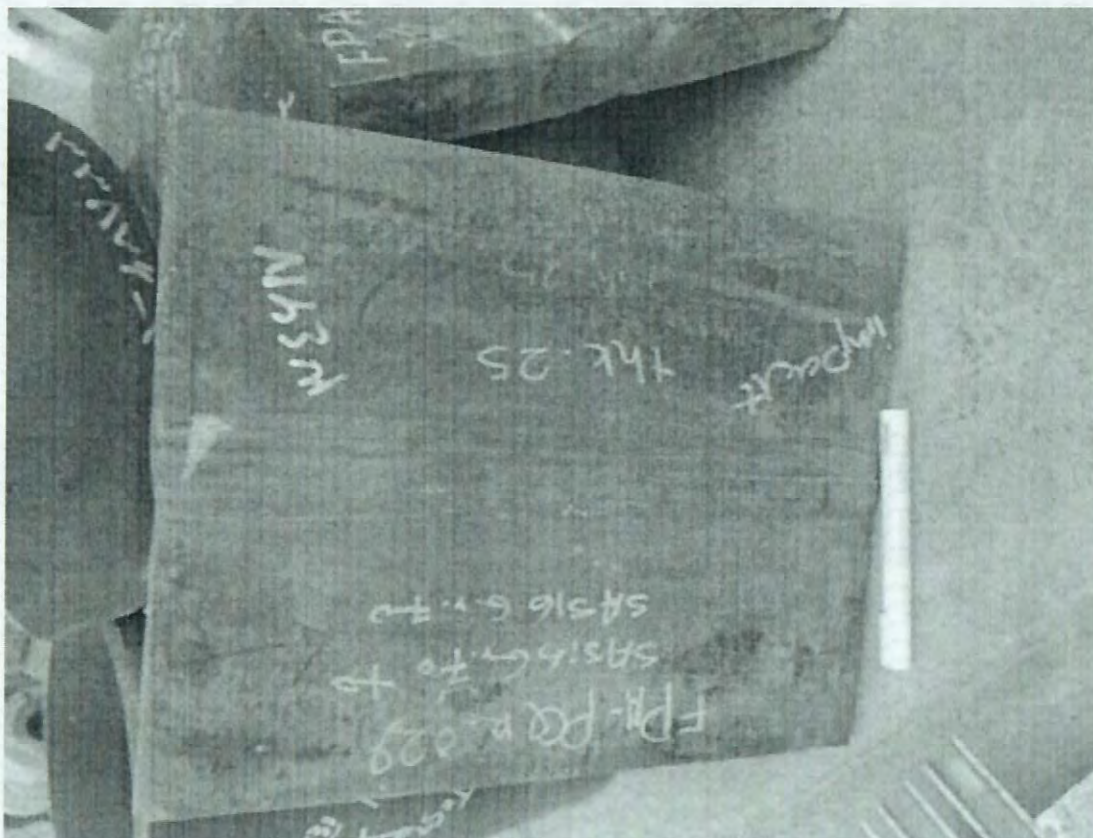
ایمان قبادی



مدیر علمی آزمایشگاه ها

رضا کوشش منش

واحد آزمایشگاه ها



Razi Applied Science Foundation | Razi Applied Science Foundation | Razi Applied Science Foundation | Razi Applied Science Foundation

- این بنیاد هیچ گونه مسئولیتی در مورد تطبیق نام نمونه با قطعه آزمون شده ندارد.
- تکثیر گزارش نتایج آزمون تنها با اجازه بنیاد و به صورت کامل امکان پذیر خواهد بود.
- گزارش های این بنیاد بدون حروف برجسته و هولوگرام فاقد اعتبار است.
- نتایج فوق تنها برای نمونه های مورد آزمون قابل استناد است.
- باقیمانده نمونه ها تنها به مدت یک ماه نگهداری خواهند شد.



تلفکس: ۴۶۸۴۱۱۲۱ (۰۲۱) و ۴۹۷۳۲ (۰۲۱)

کد پستی: ۳۷۵۳۱۴۶۱۳۷

تهران، کیلومتر ۲۱ جاده مخصوص کرج، ورودی شهر قدس، بلوار شهید قاسم اصغری خیابان فرنان، پلاک ۲۷

درخواست کننده: فرنیکان پارس آوین

آدرس شرکت: شیراز، منطقه ویژه اقتصادی، خیابان تجارت غربی، خیابان شیراز، صنعت ۶ پلاک ۱۷

نام نمونه: FPA-PQR-029- WPS-HX120-002- SA-516 Gr.70 TO SA-516 Gr.70- Thk 25mm- GTAW(3mm) SMAW(11mm) SAW(11mm)- No PWHT

شماره صفحه: ۲ از ۲

شرایط محیطی: دما: 25C | رطوبت: ۴۱٪ | نمونه گیری توسط مشتری انجام شده است

آزمون کشش در دمای محیط

استاندارد مرجع آزمون: ASME SEC IX (2023)

موقعیت نمونه برداری: عرضی از جوش

نوع مقطع آزمون: تخت

نوع ماده: آهنی

ردیف	ضخامت * عرض (mm * mm)	سطح مقطع S _o (mm ²)	استحکام تسلیم Y _s (MPa)	استحکام نهایی R _m (MPa)	توضیحات
1	19.26*25.03	482.07	---	537	از فلز پایه شکست.
2	19.20*25.53	490.17	---	522	از فلز پایه شکست.
عدم قطعیت %+/-U _E					

Analitica

ILAC FULL MEMBER

ISO/IEC 17025 (2017)

Analitica

Accreditation Certificate

No.AAC.A.00223

آزمایشگاه همکار

اداره استاندارد استان تهران

گواهینامه تایید صلاحیت شماره T/3048

تائیدیه ها:

شرکت فولاد مبارکه

شرکت سایکو

شرکت سازه گستر سایبا

شرکت نفت و گاز پارس

مدیر فنی آزمایشگاه مکانیکی

ایمان قبادی

مدیر علمی آزمایشگاه ها

رضاخوش

واحد آزمایشگاه



● گزارش های این بنیاد بدون حروف برجسته و هولوگرام فاقد اعتبار است.
● باقیمانده نمونه ها تنها به مدت یک ماه نگهداری خواهند شد.

● کلیه گزارش ها توسط خط پایانی بسته شده است.
● نتایج فوق تنها برای نمونه های مورد آزمون قابل استناد است.

● این بنیاد هیچ گونه مسئولیتی در مورد تطبیق نام نمونه با قطعه آزمون شده ندارد.
● تکثیر گزارش نتایج آزمون تنها با اجازه بنیاد و به صورت کامل امکان پذیر خواهد بود.

تهران، کیلومتر ۲۱ جاده مخصوص کرج، ورودی شهر قدس، بلوار شهید قاسم اصغری خیابان فرنان، پلاک ۲۷ کد پستی: ۳۷۵۳۱۴۶۱۳۷ تلفکس: ۰۲۱) ۴۶۸۴۱۱۲۱ و ۰۲۱) ۴۹۷۳۳۲

درخواست کننده: فرنیکان پارس آوین

آدرس شرکت: شیراز، منطقه ویژه اقتصادی، خیابان تجارت غربی، خیابان شیراز، صنعت ۶ پلاک ۱۷

نام نمونه: FPA-PQR-029- WPS-HX120-002- SA-516 Gr.70 TO SA-516 Gr.70- Thk 25mm- GTAW(3mm) SMAW(11mm) SAW(11mm)- No PWHT

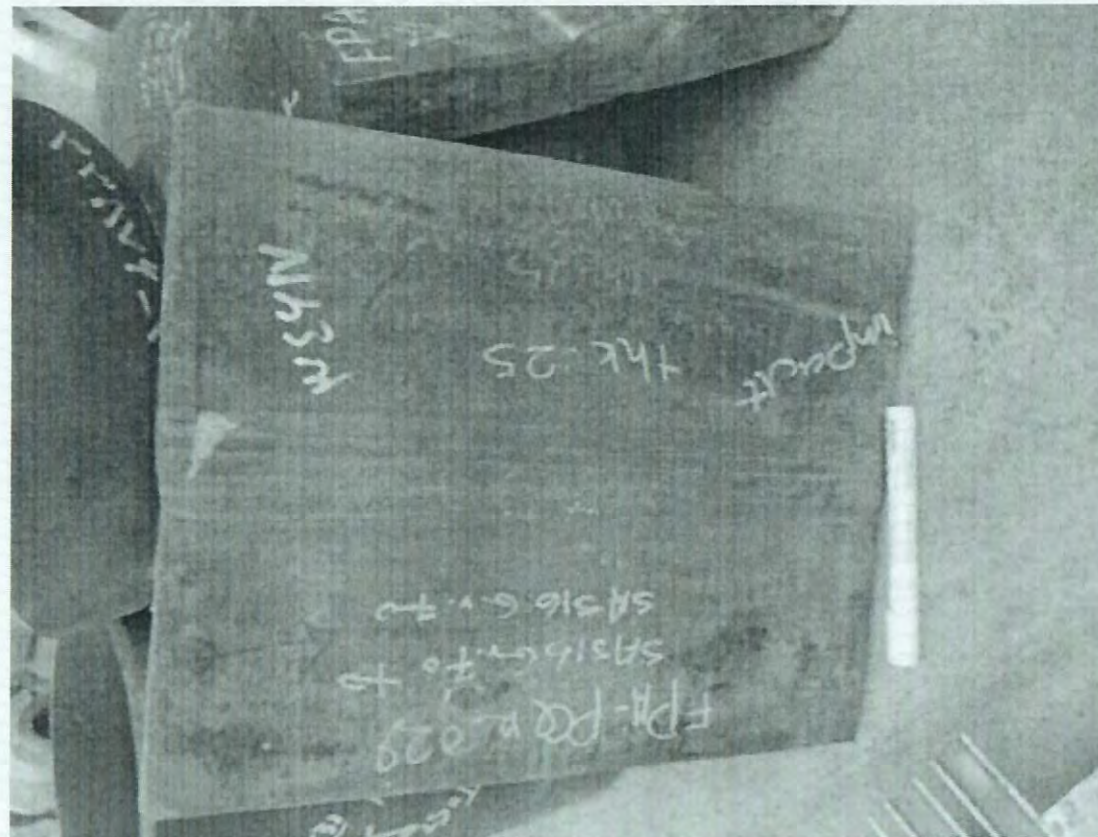
شماره پیگیری	۳۴۶۱۷-۴
تاریخ ارائه گزارش	۱۴۰۲/۱۰/۲۴
شماره ویرایش	۰
پیوست	
تاریخ دریافت نمونه	۱۴۰۲/۱۰/۰۴
تاریخ تایید انجام	۱۴۰۲/۱۰/۱۱
شماره نامه مشتری	۰۲۱۰۰۳-۰۵
تاریخ نامه مشتری	۱۴۰۲/۱۰/۰۳

شرایط محیطی: دما: رطوبت: نمونه گیری توسط مشتری انجام شده است شماره صفحه: ۱ از ۳



ISO/IEC 17025 (2017)
Analitica
Accreditation Certificate
No.AAC.A.00223

آزمایشگاه همکار
اداره استاندارد استان تهران
گواهینامه تایید صلاحیت شماره T/3048
تائیدیه ها:
شرکت فولاد مبارکه
شرکت سایکو
شرکت سازه گستر سایپا
شرکت نفت و گاز پارس



مدیر فنی آزمایشگاه های فلزی
ستار نصیری



Razi Applied Science Foundation & Razi Applied Science Foundation & Razi Applied Science Foundation & Razi Applied Science Foundation & Razi Applied Science Foundation

- این بنیاد هیچ گونه مسئولیتی در مورد تطبیق نام نمونه با قطعه آزمون شده ندارد.
- تکثیر گزارش نتایج آزمون تنها با اجازه بنیاد و به صورت کامل امکان پذیر خواهد بود.
- کلیه گزارش ها توسط خط پایانی بسته شده است.
- نتایج فوق تنها برای نمونه های مورد آزمون قابل استناد است.
- گزارش های این بنیاد بدون حروف برجسته و هولوگرام فاقد اعتبار است.
- باقیمانده نمونه ها تنها به مدت یک ماه نگهداری خواهند شد.



تلفکس: ۰۲۱) ۴۶۸۴۱۱۲۱ و ۰۲۱) ۴۹۷۳۲

کد پستی: ۳۷۵۳۱۴۶۳۷

تهران، کیلومتر ۲۱ جاده مخصوص کرج، ورودی شهر قدس، بلوار شهید قاسم اصغری خیابان فرنان، پلاک ۲۷

درخواست کننده: فرنیکان پارس آوین

آدرس شرکت: شیراز، منطقه ویژه اقتصادی، خیابان تجارت غربی، خیابان شیراز، صنعت ۶ پلاک ۱۷

نام نمونه: FPA-PQR-029- WPS-HX120-002- SA-516 Gr.70 TO SA-516 Gr.70- Thk 25mm- GTAW(3mm) SMAW(11mm) SAW(11mm)- No PWHT

شماره پیگیری	۳۴۶۱۷-۴
تاریخ ارائه گزارش	۱۴۰۲/۱۰/۲۱
شماره ویرایش	۰
پیوست	
تاریخ دریافت نمونه	۱۴۰۲/۱۰/۰۴
تاریخ تایید انجام	۱۴۰۲/۱۰/۱۱
شماره نامه مشتری	۰۲۱۰۰۳-۰۵
تاریخ نامه مشتری	۱۴۰۲/۱۰/۰۳

شماره صفحه: ۲ از ۳

شرایط محیطی: دما: 25C رطوبت: %۴۱ نمونه گیری توسط مشتری انجام شده است

ماکروگرافی (Macrography)

براساس بررسی‌های انجام شده بر روی نمونه های ماکرو آماده سازی شده طبق استاندارد مرجع ASME SEC IX (2023) نتایج به شرح زیر می‌باشند:

- جوش از پروفیل و تحذب قابل قبولی برخوردار می‌باشد.
- ذوب ریشه جوش کافی است.
- نفوذ جوش در فلز پایه و در لایه های مختلف جوش مناسب است.
- ریشه جوش عاری از ترک می باشد.
- فلز جوش و مناطق HAZ عاری از ترک می باشند.
- جوش عاری از حفره گازی، ناخالصی سرباره (Slag Inclusion)، حفره انقباضی و سایر عیوب جوش می‌باشد.
- در لبه های جوش بریدگی لبه جوش (undercut) مشاهده نمی‌شود.
- تصویر ماکروسکوپی در شکل 1 مشاهده می‌گردد.

ANALITICA

ILAC FULL MEMBER
ISO/IEC 17025 (2017)
Analitica
Accreditation Certificate
No.AAC.A.00223

آزمایشگاه همکار
اداره استاندارد استان تهران
گواهینامه تایید صلاحیت شماره T/3048
تائیدیه ها:
شرکت فولاد مبارکه
شرکت سایکو
شرکت سازه گستر سایپا
شرکت نفت و گاز پارس

مدیر فنی آزمایشگاه های فلزی

ستار نصیری



مدیر علمی آزمایشگاه ها

رضا خوش منش



- این بنیاد هیچ گونه مسئولیتی در مورد تطبیق نام نمونه با قطعه آزمون شده ندارد.
- کلیه گزارش ها توسط خط پایانی بسته شده است.
- تکثیر گزارش نتایج آزمون تنها با اجازه بنیاد و به صورت کامل امکان پذیر خواهد بود.
- نتایج فوق تنها برای نمونه های مورد آزمون قابل استناد است.
- گزارش های این بنیاد بدون حروف برجسته و هولوگرام فاقد اعتبار است.
- باقیمانده نمونه ها تنها به مدت یک ماه نگهداری خواهند شد.

تهران، کیلومتر ۲۱ جاده مخصوص کرج، ورودی شهر قدس، بلوار شهید قاسم اصغری خیابان فرنان، پلاک ۲۷ کد پستی: ۳۷۵۳۱۴۶۱۳۷ تلفکس: ۴۶۸۴۱۱۲۱ (۰۲۱) و ۴۹۷۳۲۲ (۰۲۱)

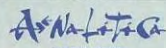
درخواست کننده: فرنیکان پارس آوین

آدرس شرکت: شیراز، منطقه ویژه اقتصادی، خیابان تجارت غربی، خیابان شیراز، صنعت ۶ پلاک ۱۷

نام نمونه: FPA-PQR-029- WP%-HX120-002- SA-516 Gr.70 TO SA-516 Gr.70- Thk 25mm- GTAW(3mm) SMAW(11mm) SAW(11mm)- No PWHT

شماره پیگیری	۳۴۶۱۷-۴
تاریخ ارائه گزارش	۱۴۰۲/۱۰/۲۱
شماره ویرایش	۰
پیوست	
تاریخ دریافت نمونه	۱۴۰۲/۱۰/۲۴
تاریخ تایید انجام	۱۴۰۲/۱۰/۱۱
شماره نامه مشتری	۰۲۱۰۰۳-۰۵
تاریخ نامه مشتری	۱۴۰۲/۱۰/۲۳

شماره صفحه: ۳	از ۳	نمونه گیری توسط مشتری انجام شده است	رطوبت: ۷۴۱	دمای: 25C	شرایط محیطی:
---------------	------	-------------------------------------	------------	-----------	--------------



ILAC FULL MEMBER

ISO/IEC 17025 (2017)

Analitica

Accreditation Certificate

No.AAC.A.00223

ازمایشگاه همکار

اداره استاندارد استان تهران

گواهینامه تایید صلاحیت شماره T/3048

تائیدیه ها:

شرکت فولاد مبارکه

شرکت ساینکو

شرکت سازه گستر سایپا

شرکت نفت و گاز پارس



شکل ۱. تصویر ماکروسکوپی از مقطع عرضی آماده سازی شده.

محلول ظاهر گنده؛ ناپثال ده در همد

مدیر فنی آزمایشگاه های فلزی

ستار نصیری



As-Nalatah & Foundation & Applied Sciences Foundation & Applied Sciences Foundation & Applied Sciences Foundation

- این بنیاد هیچ گونه مسئولیتی در مورد تطبیق نام نمونه با قطعه آزمون شده ندارد.
- تکثیر گزارش نتایج آزمون تنها با اجازه بنیاد و به صورت کامل امکان پذیر خواهد بود.
- کلید گزارش ها توسط خط پایانی بسته شده است.
- نتایج فوق تنها برای نمونه های مورد آزمون قابل استناد است.
- گزارش های این بنیاد بدون حروف برجسته و هولوگرام فاقد اعتبار است.
- باقیمانده نمونه ها تنها به مدت یک ماه نگهداری خواهند شد.



تهران، کیلومتر ۲۱ جاده مخصوص کرج، ورودی شهر قدس، بلوار شهید قاسم اصغری خیابان فرنان، پلاک ۲۷ کد پستی: ۳۷۵۳۱۴۶۱۳۷ تلفکس: (۰۲۱) ۴۶۸۴۱۱۳۱ و (۰۲۱) ۴۹۷۷۳۲

درخواست کننده: فرنیکان پارس آوین

آدرس شرکت: شیراز، منطقه ویژه اقتصادی، خیابان تجارت غربی، خیابان شیراز، صنعت ۶ پلاک ۱۷

نام نمونه: FPA-PQR-029- WPS-HX120-002- SA-516 Gr.70 TO SA-516 Gr.70- Thk 25mm- GTAW(3mm) SMAW(11mm) SAW(11mm)- No PWHT

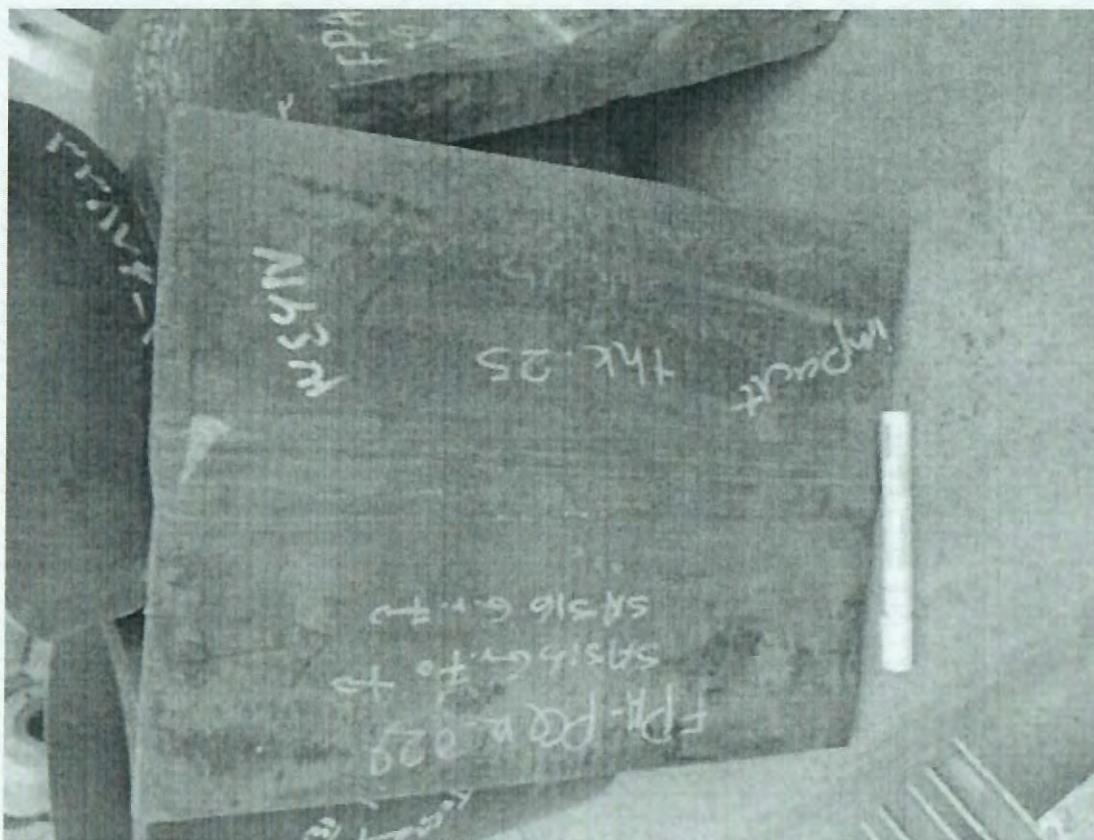
شماره پیگیری	۳۴۶۱۷-۵
تاریخ ارائه گزارش	۱۴۰۲/۱۰/۲۴
شماره ویرایش	۰
پیوست	
تاریخ دریافت نمونه	۱۴۰۲/۱۰/۰۴
تاریخ تایید انجام	۱۴۰۲/۱۰/۱۱
شماره نامه مشتری	۰۲۱۰۰۳-۰۵
تاریخ نامه مشتری	۱۴۰۲/۱۰/۰۳

شرایط محیطی: دما: رطوبت: نمونه گیری توسط مشتری انجام شده است شماره صفحه: ۱ از ۳

ANALITICA
ILAC FULL MEMBER
ISO/IEC 17025 (2017)
Analitica
Accreditation Certificate
No.AAC.A.00223

آزمایشگاه همکار
اداره استاندارد استان تهران
گواهینامه تایید صلاحیت شماره T/3048
تائیدیه ها:
شرکت فولاد مبارکه
شرکت سایکو
شرکت سازه گستر سایپا
شرکت نفت و گاز پارس

مدیر فنی آزمایشگاه های فلزی
ستار نصیری



- این بنیاد هیچ گونه مسئولیتی در مورد تطبیق نام نمونه با قطعه آزمون شده ندارد.
- کلیه گزارش ها توسط خط پایانی بسته شده است.
- تکثیر گزارش نتایج آزمون تنها با اجازه بنیاد و به صورت کامل امکان پذیر خواهد بود.
- نتایج فوق تنها برای نمونه های مورد آزمون قابل استناد است.
- باقیمانده نمونه ها تنها به مدت یک ماه نگهداری خواهند شد.
- گزارش های این بنیاد بدون حروف برجسته و هولوگرام فاقد اعتبار است.

تلفکس: ۰۲۱) ۴۹۷۳۲ و ۰۲۱) ۴۶۸۴۱۱۲۱

کد پستی: ۳۷۵۳۱۴۶۱۳۷

تهران، کیلومتر ۲۱ جاده مخصوص کرج، ورودی شهر قدس، بلوار شهید قاسم اصغری خیابان فرنان، پلاک ۲۷

درخواست کننده: فرنیکان پارس آوین

آدرس شرکت: شیراز، منطقه ویژه اقتصادی، خیابان تجارت غربی، خیابان شیراز، صنعت ۶ پلاک ۱۷

نام نمونه: FPA-PQR-029- WPS-HX120-002- SA-516 Gr.70 TO SA-516 Gr.70- Thk 25mm- GTAW(3mm) SMAW(11mm) SAW(11mm)- No PWHT

شرایط محیطی: دما: 25C | رطوبت: %۴۱ | نمونه گیری توسط مشتری انجام شده است | شماره صفحه: ۲ از ۳

شماره پیگیری	۳۴۶۱۷-۵
تاریخ ارائه گزارش	۱۴۰۲/۱۰/۲۴
شماره ویرایش	۰
پیوست	
تاریخ دریافت نمونه	۱۴۰۲/۱۰/۰۴
تاریخ تایید انجام	۱۴۰۲/۱۰/۱۱
شماره نامه مشتری	۰۲۱۰۰۳-۰۵
تاریخ نامه مشتری	۱۴۰۲/۱۰/۰۳

آزمون سختی سنجی ماکرو به روش ویکرز

استاندارد مرجع: NACE MR 0175 / ISO 15156-2 (2015) - ISO 6507- 1(2005)

فرورونده: هرم الماسه

نیروی اعمالی (kgf): HV10(98.07N) HV5 (49.03N)

زمان اعمال نیرو: 10-15 ثانیه

با توجه به آزمایش انجام شده نتایج حاصل به شرح زیر است:

ردیف	موقعیت سختی سنجی	عدد سختی (HV)	معیار پذیرش عدد سختی (HV)
1	نقطه 1	165	---
2	نقطه 2	199	---
3	نقطه 3	205	---
4	نقطه 4	203	---
5	نقطه 5	201	---
6	نقطه 6	205	---
7	نقطه 7	205	---
8	نقطه 8	168	---
9	نقطه 9	165	---
10	نقطه 10	180	---
11	نقطه 11	183	---
12	نقطه 12	187	---

ANALITICA
ILAC FULL MEMBER
ISO/IEC 17025 (2017)
Analitica
Accreditation Certificate
No.AAC.A.00223

آزمایشگاه همکار
اداره استاندارد استان تهران
گواهینامه تایید صلاحیت شماره T/3048
تائیدیه ها:
شرکت فولاد مبارکه
شرکت سایکو
شرکت سازه گستر سایپا
شرکت نفت و گاز پارس

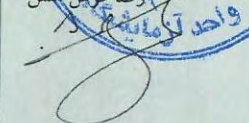
مدیر فنی آزمایشگاه های فلزی

ستار نصیری



مدیر علمی آزمایشگاه ها

رضا خوش بخش



Iran Applied Science & Foundation & Iran Applied Science & Foundation & Iran Applied Science & Foundation & Iran Applied Science & Foundation & Iran Applied Science & Foundation

- این بنیاد هیچ گونه مسئولیتی در مورد تطبیق نام نمونه با قطعه آزمون شده ندارد.
- تکثیر گزارش نتایج آزمون تنها با اجازه بنیاد و به صورت کامل امکان پذیر خواهد بود.
- کلیه گزارش ها توسط خط پایانی بسته شده است.
- نتایج فوق تنها برای نمونه های مورد آزمون قابل استناد است.
- گزارش های این بنیاد بدون حروف برجسته و هولوگرام فاقد اعتبار است.
- باقیمانده نمونه ها تنها به مدت یک ماه نگهداری خواهند شد.



تلفکس: (۰۲۱) ۴۶۸۴۱۱۲۱ و (۰۲۱) ۴۹۷۳۳۲

کد پستی: ۳۷۵۳۱۴۶۱۳۷

پلاک ۲۷

تهران، کیلومتر ۲۱ جاده مخصوص کرج، ورودی شهر قدس، بلوار شهید قاسم اصغری خیابان فرنان، پلاک ۶

درخواست کننده: فرنیکان پارس آوین

آدرس شرکت: شیراز، منطقه ویژه اقتصادی، خیابان تجارت غربی، خیابان شیراز، صنعت ۶ پلاک ۱۷

نام نمونه: FPA-PQR-029- WPS-HX120-002- SA-516 Gr.70 TO SA-516 Gr.70- Thk 25mm- GTAW(3mm) SMAW(11mm) SAW(11mm)- No PWHT

شماره صفحه: ۳ از ۳

شرایط محیطی: دما: 25C | رطوبت: %۴۱ | نمونه گیری توسط مشتری انجام شده است

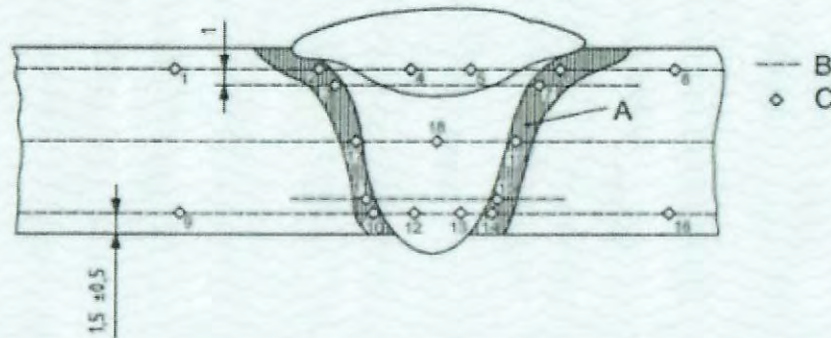
شماره پیگیری	۳۴۶۱۷-۵
تاریخ ارائه گزارش	۱۴۰۲/۱۰/۲۴
شماره ویرایش	۰
پیوست	
تاریخ دریافت نمونه	۱۴۰۲/۱۰/۰۴
تاریخ تایید انجام	۱۴۰۲/۱۰/۱۱
شماره نامه مشتری	۰۲۱۰۰۳-۰۵
تاریخ نامه مشتری	۱۴۰۲/۱۰/۰۳

Analitica
ILAC FULL MEMBER
ISO/IEC 17025 (2017)
Analitica
Accreditation Certificate
No.AAC.A.00223

آزمایشگاه همکار
اداره استاندارد استان تهران
گواهینامه تایید صلاحیت شماره T/3048
تائیدیه ها:
شرکت فولاد مبارکه
شرکت سالیکو
شرکت سازه گستر سایپا
شرکت نفت و گاز پارس

مدیر فنی آزمایشگاه های فلزی

ستار نصیری


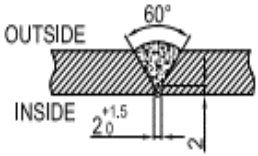


ردیف	موقعیت سختی سنجی	عدد سختی (HV)	معیار پذیرش عدد سختی (HV)
13	نقطه 13	181	---
14	نقطه 14	180	---
15	نقطه 15	178	---
16	نقطه 16	169	---
17	نقطه 17	197	---
18	نقطه 18	178	---
19	نقطه 19	193	---

Root Applied Science Foundation & Root Applied Science Foundation & Root Applied Science Foundation & Root Applied Science Foundation & Root Applied Science Foundation

● گزارش های این بنیاد بدون حروف برجسته و هولوگرام فاقد اعتبار است.
● باقیمانده نمونه ها تنها به مدت یک ماه نگهداری خواهند شد.

● این بنیاد هیچ گونه مسئولیتی در مورد تطبیق نام نمونه با قطعه آزمون شده ندارد.
● تکثیر گزارش نتایج آزمون تنها با اجازه بنیاد و به صورت کامل امکان پذیر خواهد بود.
● کلیه گزارش ها توسط خط پایانی بسته شده است.
● نتایج فوق تنها برای نمونه های مورد آزمون قابل استناد است.

		PROCEDURE QUALIFICATION RECORD(PQR)			PQR.NO	FPA-PQR-027				
					Doc Title:	Weld book WPS/PQR/Weld Map For Air Condenser and Chiller				
					Rev.	1				
Welding Process(es): GMAW					Type: Semi-Automatic					
JOINT DESIGN (QW-402)	Bead No.	Welding Process	Filler/Electrode Metal	Size (mm)	Amps. (A)	Volt. (V)	Travel Speed (Cm/Min)	Heat Input (Kj/Cm)		
	Root	GMAW	ER70S-6	1.2	185~210	22~28	18~25	-		
	Fill&Cap (outside)	GMAW	ER70S-6	1.2	200~240	22~28	20~27	-		
	Back Weld	GMAW	ER70S-6	1.2	200~240	22~28	20~27	-		
BASE METALS (QW.403)					POST WELD HEAT TREATMENT (QW.407)					
Material Spec.: SA-516 Gr.70 TO SA-516 Gr.70					Temperature (°C): -					
P.NO.: 1 Group NO.: 2 TO P.NO.: 1 Group No.: 2					Heating/Cooling Rate(°C/ -					
Thickness of Test Coupon (mm) 16					Holding Time (Min): -					
Diameter of Test Coupon : -					Other: -					
Deposit Weld Metal Thickness(m) 16										
FILLER METAL(QW.404)					GAS (QW.408)					
SFA Specification: 5.18					Gas(es)				Mixture	Flow Rat (Lit/Min)
AWS Class: ER70S-6					Shielding	Co2	100% Co2	10-12%		
F NO.: 6					Trailing	-	-	-		
A NO.: 1					Backing	-	-	-		
Size (mm): 1.2					ELECTRICAL CHARACTERISTICS (QW.409)					
Other: -					Current: DC					
POSITION (QW.405)					Polarity : EP					
Position of Groove : 1G					Tungesten Electrode Type: -					
Weld Progression:					Tungesten Electrode Size: -					
Backing YES (Back weld)					Other: -					
PREHEAT (QW.406)					TECHNIQUE (QW.410)					
Preheat Temp. (°C): FOR THK.≥25mm 80, FOR OTHER 10					String and Weave Bead : STRING					
Interpass Temp. (°C): Max.250					Oscillation: No					
Other: -					Single/Multiple Pass: Multiple					
					Single/Multiple Electrode Single					
					Other: -					



PROCEDURE QUALIFICATION RECORD(PQR)

PQR.NO	FPA-PQR-027
Doc Title:	Weld book WPS/PQR/Weld Map For Air Condenser and Chiller
Rev.	1

TENSILE TEST (QW-150)

Specimen NO.	Size (mm)		Area (mm ²)	Ys (N/mm ²)	U.T.S (N/mm ²)	LOCATION OF FAILURE
	Width	Thickness				
1	19.33	14.8	286.08	-	588	Weld Metal
2	19.23	14.3	274.99	-	581	Weld Metal
.....
.....
.....

GUIDED-BEND TEST (QW-160)

NO.	Type of Specimen	Size(mm)		Mandrel Diameter (mm)	Angle of Bend	Result
		Width	Thickness			
1	Side I	14	10	4t	180°	Accepted
2	Side II	14	10	4t	180°	Accepted
3	Side III	14	10	4t	180°	Accepted
4	Side IV	14	10	4t	180°	Accepted
.....

TOUGHNESS TEST (QW-170)

Specimen NO.	Notch Location	Specimen Size(mm)	Test Temperature (°C)	Impact Energy (J)	Result
.....
.....
.....
.....
.....
.....
.....
.....
.....
.....

FILLET WELD TEST (QW-180)

Result-Satisfactory	YES	Penetration into Parent Metal	YES
Radiographic Test	Accepted		
Tensile Test	Accepted		
Bend Test	Accepted		
Macro Results	None		
Liquid Penetrant Exam	None		
Other	None		
Welder's Name	J. Yazdiani	Lab Test Report No.	26308

Prepared by:	Checked by	Verified by
F. Baviye	N. Abnavi	

تلفکس: ۴۶۸۴۱۱۲۱ (۰۲۱) و ۴۹۷۳۲۲ (۰۲۱)

کد پستی: ۳۷۵۳۱۴۶۱۳۷

تهران، کیلومتر ۲۱ جاده مخصوص کرج، ورودی شهر قدس، بلوار شهید قاسم اصغری خیابان فرنان، پلاک ۲۷

درخواست کننده: فرنیکان پارس آوین

آدرس شرکت: شیراز، منطقه ویژه اقتصادی، خیابان تجارت غربی، خیابان شیراز، صنعت ۶ پلاک ۱۷

نام نمونه: FPA-PQR-027,SA-516 Gr.70 TO SA-516 Gr.70,THK:16, GMAW, PWHT NO, welder stamp W-122

شماره صفحه: 1 از 4

شرایط محیطی: دما: رطوبت: نمونه گیری توسط مشتری انجام شده است

شماره پیگیری	۲۶۳۰۸-۱
تاریخ ارائه گزارش	۱۴۰۲/۰۸/۲۹
شماره ویرایش	۰
پیوست	
تاریخ دریافت نمونه	۱۴۰۲/۰۸/۰۵
تاریخ تایید انجام	۱۴۰۲/۰۸/۲۷
شماره نامه مشتری	۰۲۰۸۰۳-۰۳
تاریخ نامه مشتری	۱۴۰۲/۰۸/۰۳

Analitica
ILAC FULL MEMBER
ISO/IEC 17025 (2017)
Analitica
Accreditation Certificate
No.AAC.A.00223

آزمایشگاه همکار
اداره استاندارد استان تهران
گواهینامه تایید صلاحیت شماره T/3048
تائیدیه ها:
شرکت فولاد مبارکه
شرکت سایکو
شرکت سازه گستر سایپا
شرکت نفت و گاز پارس



Razi Applied Balance Foundation Razi Applied Balance Foundation Razi Applied Balance Foundation Razi Applied Balance Foundation

- این بنیاد هیچ گونه مسئولیتی در مورد تطبیق نام نمونه با قطعه آزمون شده ندارد.
- کلیه گزارش ها توسط خط پایانی بسته شده است.
- تکثیر گزارش نتایج آزمون تنها با اجازه بنیاد و به صورت کامل امکان پذیر خواهد بود.
- نتایج فوق تنها برای نمونه های مورد آزمون قابل استناد است.
- گزارش های این بنیاد بدون حروف برجسته و هولوگرام فاقد اعتبار است.
- باقیمانده نمونه ها تنها به مدت یک ماه نگهداری خواهند شد.

مدیر فنی آزمایشگاه مکانیکی
ایمان قبادی



شماره پیگیری	۲۶۳۰۸-۱
تاریخ ارائه گزارش	۱۴۰۲/۰۸/۲۹
شماره ویرایش	۰
پیوست	
تاریخ دریافت نمونه	۱۴۰۲/۰۸/۰۵
تاریخ تایید انجام	۱۴۰۲/۰۸/۲۷
شماره نامه مشتری	۰۲۰۸۰۳-۰۳
تاریخ نامه مشتری	۱۴۰۲/۰۸/۰۳

تهران، کیلومتر ۲۱ جاده مخصوص کرج، ورودی شهر قدس، بلوار شهید قاسم اصغری خیابان فرنان، پلاک ۲۷	کد پستی: ۳۷۵۳۱۴۶۱۳۷	تلفکس: ۴۶۸۴۱۱۲۱ (۰۲۱) و ۴۹۷۳۲ (۰۲۱)
درخواست کننده: فرنیکان پارس آوین		
آدرس شرکت: شیراز، منطقه ویژه اقتصادی، خیابان تجارت غربی، خیابان شیراز، صنعت ۶ پلاک ۱۷		
نام نمونه: FPA-PQR-027,SA-516 Gr.70 TO SA-516 Gr.70,THK:16, GMAW, PWHT NO, welder stamp W-122		
شرایط محیطی	دما: 25C	رطوبت: ۴۱٪
نمونه گیری توسط مشتری انجام شده است		
شماره صفحه:	2	از ۴

آزمون کشش در دمای محیط

استاندارد مرجع آزمون: ASME SEC IX (2023)

جهت نمونه برداری: عرضی از جوش

نوع مقطع آزمون: تخت

ردیف	ضخامت * عرض (mm* mm)	سطح مقطع S_0 (mm ²)	استحکام تسلیم Y_s (MPa)	استحکام نهایی R_m (MPa)	توضیحات
1	19.33*14.80	286.08	---	588	از جوش شکست.
2	19.23*14.30	274.99	---	581	از جوش شکست.
عدم قطعیت $\pm U_E$ %					

ANALITICA
ILAC FULL MEMBER
ISO/IEC 17025 (2017)
Analitica
Accreditation Certificate
No.AAC.A.00223

آزمایشگاه همکار
اداره استاندارد استان تهران
گواهینامه تایید صلاحیت شماره T/3048
تائیدیه ها:
شرکت فولاد مبارکه
شرکت ساینکو
شرکت سازه گستر سایبا
شرکت نفت و گاز پارس

مدیر فنی آزمایشگاه مکانیکی

ایمان قبادی



Razi Applied Science Foundation • Razi Applied Science Foundation • Razi Applied Science Foundation • Razi Applied Science Foundation

- این بنیاد هیچ گونه مسئولیتی در مورد تطبیق نام نمونه با قطعه آزمون شده ندارد.
- تکثیر گزارش نتایج آزمون تنها با اجازه بنیاد و به صورت کامل امکان پذیر خواهد بود.
- گزارش های این بنیاد بدون حروف برجسته و هولوگرام فاقد اعتبار است.
- نتایج فوق تنها برای نمونه های مورد آزمون قابل استناد است.
- باقیمانده نمونه ها تنها به مدت یک ماه نگهداری خواهند شد.

تلفکس: ۰۲۱) ۴۶۸۴۱۱۲۱ و ۰۲۱) ۴۹۷۳۳۲

کد پستی: ۳۷۵۳۱۴۶۱۳۷

پلاک ۲۷

درخواست کننده: فرنیکان پارس آوین

آدرس شرکت: شیراز، منطقه ویژه اقتصادی، خیابان تجارت غربی، خیابان شیراز، صنعت ۶ پلاک ۱۷

نام نمونه: FPA-PQR-027,SA-516 Gr.70 TO SA-516 Gr.70,THK:16, GMAW, PWHT NO, welder stamp W-122

شماره صفحه: 3 از 4

شرایط محیطی | دما: 25C | رطوبت: %۴۱ | نمونه گیری توسط مشتری انجام شده است

شماره پیگیری	۲۶۳۰۸-۱
تاریخ ارائه گزارش	۱۴۰۲/۰۸/۲۹
شماره ویرایش	۰
پیوست	
تاریخ دریافت نمونه	۱۴۰۲/۰۸/۰۵
تاریخ تایید انجام	۱۴۰۲/۰۸/۲۷
شماره نامه مشتری	۰۲۰۸۰۳-۰۳
تاریخ نامه مشتری	۱۴۰۲/۰۸/۰۳

Analitica
ILAC FULL MEMBER
ISO/IEC 17025 (2017)
Analitica
Accreditation Certificate
No.AAC.A.00223

آزمایشگاه همکار
اداره استاندارد استان تهران
گواهینامه تایید صلاحیت شماره T/3048
تائیدیه ها:
شرکت فولاد مبارکه
شرکت سایکو
شرکت سازه گستر سایبیا
شرکت نفت و گاز پارس

آزمون خمش

استاندارد مرجع آزمون: ASME SEC IX (2023)

مقطع نمونه: ضخامت کامل

نوع مقطع آزمون: تخت

ردیف	موقعیت یا محل نمونه برداری	ضخامت * عرض (mm*mm)	قطر ماندل (mm)	زاویه خمش (درجه)	توضیحات	نتیجه آزمون
1	Side I	14*10	4t	180	هیچگونه عیبی مشاهده نشد	Accept
2	Side II	14*10	4t	180	هیچگونه عیبی مشاهده نشد	Accept
3	Side III	14*10	4t	180	هیچگونه عیبی مشاهده نشد	Accept
4	Side IV	14*10	4t	180	هیچگونه عیبی مشاهده نشد	Accept

مدیر فنی آزمایشگاه مکانیکی

ایمان قبادی



Razi Applied Balance Foundation • Razi Applied Balance Foundation • Razi Applied Balance Foundation • Razi Applied Balance Foundation

- این بنیاد هیچ گونه مسئولیتی در مورد تطبیق نام نمونه با قطعه آزمون شده ندارد.
- تکثیر گزارش نتایج آزمون تنها با اجازه بنیاد و به صورت کامل امکان پذیر خواهد بود.
- کلید گزارش ها توسط خط پایانی بسته شده است.
- نتایج فوق تنها برای نمونه های مورد آزمون قابل استناد است.
- گزارش های این بنیاد بدون حروف برجسته و هولوگرام فاقد اعتبار است.
- باقیمانده نمونه ها تنها به مدت یک ماه نگهداری خواهند شد.

تلفکس: ۴۶۸۴۱۱۲۱ (۰۲۱) و ۴۹۷۳۲ (۰۲۱)

کد پستی: ۳۷۵۳۱۴۶۱۳۷

تهران، کیلومتر ۲۱ جاده مخصوص کرج، ورودی شهر قدس، بلوار شهید قاسم اصغری خیابان فرمان، پلاک ۲۷

درخواست کننده: فرنیکان پارس آوین

آدرس شرکت: شیراز، منطقه ویژه اقتصادی، خیابان تجارت غربی، خیابان شیراز، صنعت ۶ پلاک ۱۷

نام نمونه: FPA-PQR-027,SA-516 Gr.70 TO SA-516 Gr.70,THK:16, GMAW, PWHT NO, welder stamp W-122

شماره صفحه: 4 از 4

شرایط محیطی: دما: 25C | رطوبت: 41% | نمونه گیری توسط مشتری انجام شده است

شماره پیگیری	۲۶۳۰۸-۱
تاریخ ارائه گزارش	۱۴۰۲/۰۸/۲۸
شماره ویرایش	۰
پیوست	
تاریخ دریافت نمونه	۱۴۰۲/۰۸/۰۵
تاریخ تایید انجام	۱۴۰۲/۰۸/۲۷
شماره نامه مشتری	۰۲۰۸۰۳-۰۳
تاریخ نامه مشتری	۱۴۰۲/۰۸/۰۳

Radiographic Test Report of Welded Joints

آزمون رادیوگرافی اتصالات جوشکاری شده

Ref. Code/Standard: ASME SECTION IX, QW-191 (2023)

Test Method Standard : ASME SECTION V, Article 2 & 22 & ASTM E94 (2023)

Nominal Thickness of base metal/T (mm)	Segment/Weld No.	Type of defect(s) & location(cm)/Position		Size of the defect(s) /Severity level		Result*		
16 to 16	Length: 0-35 cm	---		---		Accept		
Radiation Source Type	Focus size (mm)	Exposure Time (minute)	Source Strength (Kv)	IQI Type	IQI Placement	Visible IQI		
Directional X-RAY	2.5*2.5	3.2	170	6-12 Fe., ISO 19232-1	Source Side	Wire 12, D=0. 25 mm		
Film Type	No. of film	Film Size (cm)	Total film length (cm)	FFD (cm)	Technique	Ug	Density	Sensitivity %
Kodak/Carestream MX125	1	10*36	36	80	SWSI	0.25	2-4	1-2
Abbreviation	Type of Weld Defects			Technique				
	CR: Crack	SL: Slag Inclusion	F U/C: Face Undercut	SWSI: Single Wall Single Image				
	LOP: Lack of Penetration	Po: Porosity	Ti: Tungsten Inclusion	DWSI: Double Wall Single Image				
	LOF: Lack of Fusion	CL P: Cluster Porosity	EP: Excess Penetration	DWDI: Double Wall Double Image				
	CV: Cavity	U/C: Undercut	RC: Root Concavity	FFD: Focus To Film Distance				
	BT: Bum Through	R U/C: Root Undercut	WS: Weld Spatter	IQI: Image Quality Indicator				
*REMARK: Rounded indications less than 1/32in. (0.8 mm) in maximum diameter shall not be considered in the radiographic acceptance tests of welders and welding operators in these ranges of material thicknesses. The maximum permissible dimension for rounded indications shall be 20% of t or 1/8in. (3 mm), whichever is smaller.								
*تفسیر نتایج آزمون: نواحی جوشکاری شده توسط آزمون رادیوگرافی مورد بازرسی قرار گرفتند و نشانه مرتبیطی مشاهده نگردید که مطابق با استاندارد مرجع ذکر شده مورد تایید می باشد.								
توضیحات: ---								

ANALITICA
ILAC FULL MEMBER
ISO/IEC 17025 (2017)
Analytica
Accreditation Certificate
No.AAC.A.00223

آزمایشگاه همکار
اداره استاندارد استان تهران
گواهینامه تایید صلاحیت شماره T/3048
تایید شده ها:




مدیر فنی آزمایشگاه غیر مخرب
علیرضا ختافره

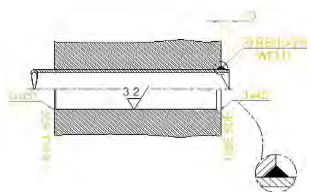


Razi Applied Science Foundation | Razi Applied Science Foundation | Razi Applied Science Foundation | Razi Applied Science Foundation

- این بنیاد هیچ گونه مسئولیتی در مورد تطبیق نام نمونه با قطعه آزمون شده ندارد.
- تکثیر گزارش نتایج آزمون تنها با اجازه بنیاد و به صورت کامل امکان پذیر خواهد بود.
- گزارش های این بنیاد بدون حروف برجسته و هولوگرام فاقد اعتبار است.
- نتایج فوق تنها برای نمونه های مورد آزمون قابل استناد است.
- باقیمانده نمونه ها تنها به مدت یک ماه نگهداری خواهند شد.

	PROCEDURE QUALIFICATION RECORD(PQR)	PQR.NO	FPA-PQR-104
		Doc Title:	Weld book WPS/PQR/Weld Map For Air Condenser and Chiller
		Rev.	R1

Welding Process(es): GTAW	Type: Authomatic
----------------------------------	-------------------------

JOINT DESIGN (QW-402)	Bead No.	Welding Process	Filler/Electrode Metal	Size (mm)	Amps. (A)	Volt. (V)	Travel Speed (Cm/Min)	Heat Input (Kj/Cm)
	Pass 1	GTAW	ER70S-6	0.8	90~150	8~11	5.2~6.1	-
	Pass 2	GTAW	ER70S-6	0.8	110~165	10~11	5.2~6.1	-

BASE METALS (QW.403)	POST WELD HEAT TREATMENT (QW.407)
-----------------------------	------------------------------------------

Material Spec.: SA179 TO SA-516 Gr.70	Temperature (°C): -
P.NO.: 1 Group NO.: 1 TO P.NO.: 1 Group No.: 2	Heating/Cooling Rate(°C/hr): -
Thickness of Test Coupon (mm) : Tube: 2.11, Tubesheet: 50mm	Holding Time (Min): -
Diameter of Test Coupon : -	Other: -
Deposit Weld Metal Thickness(mm) Tube: 3 mm	

FILLER METAL(QW.404)	GAS (QW.408)
-----------------------------	---------------------

SFA Specification: 5.18	Gas(es)			Mixture	Flow Rate
AWS Class: ER70S-6	Shielding	Ar	Ar 99.98%	10~12	
F NO.: 6	Trailing	-	-	-	
A NO.: 1	Backing	-	-	-	

Size (mm): 0.8	ELECTRICAL CHARACTERISTICS (QW.409)
Other: -	

POSITION (QW.405)	Current: DC
Position of Groove : 5G	Polarity : EN
Weld Progression:	Tungsten Electrode Type: EWTb-2
Backing YES	Tungsten Electrode Size: 2.4
	Other: -

PREHEAT (QW.406)	TECHNIQUE (QW.410)
-------------------------	---------------------------

Preheat Temp. (°C): 20	String and Weave Bead : STRING
Interpass Temp. (°C): Max.150	Oscillation: No
Other: -	Single/Multiple Pass: Multiple
	Single/Multiple Electrode: Single
	Other: -

تلفکس: ۴۶۸۴۱۱۲۱ (۰۲۱) و ۴۹۷۳۲ (۰۲۱)

کد پستی: ۳۷۵۳۱۴۶۱۳۷

تهران، کیلومتر ۲۱ جاده مخصوص کرج، ورودی شهر قدس، بلوار شهید قاسم اصغری خیابان فرنان، پلاک ۲۷

درخواست کننده: فرنیکان پارس آوین

آدرس شرکت: شیراز، منطقه ویژه اقتصادی، خیابان تجارت غربی، خیابان شیراز، صنعت ۶ پلاک ۱۷

نام نمونه: 19.05, THK.2.11 Tubesheet: THK.50, GTAW (Machine), No PWHT, W-101 & W-105 FPA-PQR-104- SA-179 TO SA-516 Gr.70, Tube: Ø

شرایط محیطی

دما:

رطوبت:

نمونه گیری توسط مشتری انجام شده است

شماره صفحه: ۱

از ۴۲

شماره پیگیری	۴۱۰۰۰-۱
تاریخ ارائه گزارش	۱۴۰۳/۰۲/۰۴
شماره ویرایش	۱
پیوست	
تاریخ دریافت نمونه	۱۴۰۲/۱۱/۲۲
تاریخ تایید انجام	۱۴۰۲/۱۲/۰۲
شماره نامه مشتری	۰۲۱۱۱۸-۰۱
تاریخ نامه مشتری	۱۴۰۲/۱۱/۱۸

ANALITICA

IAC FULL MEMBER

ISO/IEC 17025 (2017)
Analitica
Accreditation Certificate
No.AAC.A.00223

آزمایشگاه همکار
اداره استاندارد استان تهران
گواهینامه تایید صلاحیت شماره T/3048
تائیدیه ها:
شرکت فولاد مبارکه
شرکت سایکو
شرکت سازه گستر سایپا
شرکت نفت و گاز پارس

مدیر فنی آزمایشگاه های فلزی
ستار نصیری

Razi Applied Science Foundation • Razi Applied Science Foundation • Razi Applied Science Foundation • Razi Applied Science Foundation

- این بنیاد هیچ گونه مسئولیتی در مورد تطبیق نام نمونه با قطعه آزمون شده ندارد.
- تکثیر گزارش نتایج آزمون تنها با اجازه بنیاد و به صورت کامل امکان پذیر خواهد بود.
- کلیه گزارش ها توسط خط پایانی بسته شده است.
- نتایج فوق تنها برای نمونه های مورد آزمون قابل استناد است.
- گزارش های این بنیاد بدون حروف برجسته و هولوگرام فاقد اعتبار است.
- باقیمانده نمونه ها تنها به مدت یک ماه نگهداری خواهند شد.



تلفکس: ۴۶۸۴۱۱۲۱ (۰۲۱) و ۴۹۷۳۳۲ (۰۲۱)

کد پستی: ۳۷۵۳۱۴۶۱۳۷

تهران، کیلومتر ۲۱ جاده مخصوص کرج، ورودی شهر قدس، بلوار شهید قاسم اصغری خیابان فرنان، پلاک ۲۷

درخواست کننده: فرنیکان پارس آوین

آدرس شرکت: شیراز، منطقه ویژه اقتصادی، خیابان تجارت غربی، خیابان شیراز، صنعت ۶ پلاک ۱۷

نام نمونه: 19.05, THK.2.11 Tubesheet: THK.50, GTAW (Machine), No PWHT, W-101 & W-105 FPA-PQR-104- SA-179 TO SA-516 Gr.70, Tube: Ø

شماره صفحه: ۲ از ۴۳

شرایط محیطی: دما: 25C رطوبت: ۴۱٪ نمونه گیری توسط مشتری انجام شده است

شماره پیگیری	۴۱۰۰۰-۱
تاریخ ارائه گزارش	۱۴۰۲/۱۲/۰۵
شماره ویرایش	۰
پیوست	
تاریخ دریافت نمونه	۱۴۰۲/۱۱/۲۲
تاریخ تایید انجام	۱۴۰۲/۱۲/۰۲
شماره نامه مشتری	۰۲۱۱۱۸-۰۱
تاریخ نامه مشتری	۱۴۰۲/۱۱/۱۸

ANALITICA

ILAC FULL MEMBER

ISO/IEC 17025 (2017)

Analitica

Accreditation Certificate

No.AAC.A.00223

آزمایشگاه همکار

اداره استاندارد استان تهران

گواهینامه تایید صلاحیت شماره T/3048

تائیدیه ها:

شرکت فولاد مبارکه

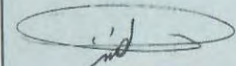
شرکت سایکو

شرکت سازه گستر سانیپا

شرکت نفت و گاز پارس

مدیر فنی آزمایشگاه های فلزی

ستار نصیری




ماکروگرافی (Macrography)

براساس بررسی های انجام شده بر روی 40 نمونه ماکرو آماده سازی شده طبق نقشه ارسالی از طرف مشتری در بزرگنمایی 10 الی 20 برابر نتایج به شرح زیر می باشند:

- فلز جوش و مناطق HAZ عاری از ترک می باشند.
- ذوب ریشه جوش در فلز پایه Tube و Tube Sheet کافی می باشد. (طبق اعلام مکتوب مشتری مقدار مجاز Min2.11 می باشد)
- تصاویر ماکروسکوپی در شکل های 1 تا 40 مشاهده می گردد.

	1	2	3	4	5	6	7	8	9	10	11	12	13	14	15
Leak path dimension (mm)	2.85	3.45	4.04	3.48	3.18	3.66	4.11	3.25	3.09	2.87	3.45	4.03	3.08	3.56	2.86
	16	17	18	19	20	21	22	23	24	25	26	27	28	29	30
Leak path dimension (mm)	4.27	5.82	4.33	5.10	4.86	6.33	4.73	5.05	5.09	5.09	4.41	4.25	3.80	3.50	2.74
	31	32	33	34	35	36	37	38	39	40					
Leak path dimension (mm)	3.99	3.28	4.12	3.25	3.55	3.39	2.75	2.93	3.61	3.23					

Razi Applied Science Foundation • Razi Applied Science Foundation • Razi Applied Science Foundation • Razi Applied Science Foundation

- این بنیاد هیچ گونه مسئولیتی در مورد تطبیق نام نمونه با قطعه آزمون شده ندارد.
- تکثیر گزارش نتایج آزمون تنها با اجازه بنیاد و به صورت کامل امکان پذیر خواهد بود.
- کلیه گزارش ها توسط خط پایانی بسته شده است.
- نتایج فوق تنها برای نمونه های مورد آزمون قابل استناد است.
- گزارش های این بنیاد بدون حروف برجسته و هولوگرام فاقد اعتبار است.
- باقیمانده نمونه ها تنها به مدت یک ماه نگهداری خواهند شد.

تهران، کیلومتر ۲۱ جاده مخصوص کرج، ورودی شهر قدس، بلوار شهید قاسم اصغری خیابان فرنان، پلاک ۲۷ کد پستی: ۳۷۵۳۱۴۶۱۳۷ تلفکس: ۰۲۱) ۴۹۷۳۲ و ۰۲۱) ۴۶۸۴۱۱۳۱

درخواست کننده: فرنیکان پارس آوین

آدرس شرکت: شیراز، منطقه ویژه اقتصادی، خیابان تجارت غربی، خیابان شیراز، صنعت ۶ پلاک ۱۷

نام نمونه: 19.05, THK.2.11 Tubesheet: THK.50, GTAW (Machine), No PWHT, W-101 & W-105 FPA-PQR-104- SA-179 TO SA-516 Gr.70, Tube: Ø

شماره پیگیری	۴۱۰۰۰-۱
تاریخ ارائه گزارش	۱۴۰۲/۱۲/۰۵
شماره ویرایش	۰
پیوست	
تاریخ دریافت نمونه	۱۴۰۲/۱۱/۲۲
تاریخ تایید انجام	۱۴۰۲/۱۲/۰۲
شماره نامه مشتری	۰۲۱۱۱۸-۰۱
تاریخ نامه مشتری	۱۴۰۲/۱۱/۱۸

شرایط محیطی: دما: 25C رطوبت: ۴۱٪ نمونه گیری توسط مشتری انجام شده است شماره صفحه: ۳ از ۴۲

Analitica
ILAC FULL MEMBER
ISO/IEC 17025 (2017)
Analitica
Accreditation Certificate
No. AAC.A.00223

آزمایشگاه همکار
اداره استاندارد استان تهران
گواهینامه تولید صلاحیت شماره T/3048
تائیدیه ها:
شرکت فولاد مبارکه
شرکت سایکو
شرکت سازه گستر سایپا
شرکت نفت و گاز پارس

مدیر فنی آزمایشگاه های فلزی
ستار نصیری



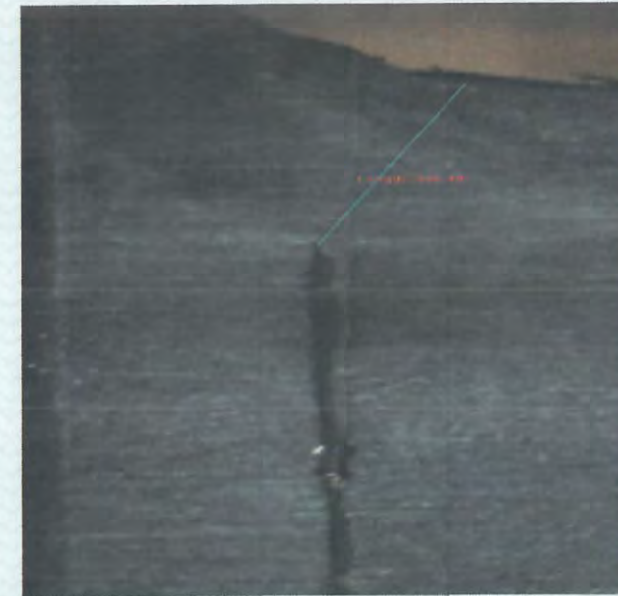
شکل 1. تصویر ماکروسکوپی از مقطع عرضی آماده سازی شده. (مقطع 1)
محلول ظاهر کننده: نایتال ده درصد

Razi Applied Science Foundation • Razi Applied Science Foundation • Razi Applied Science Foundation • Razi Applied Science Foundation

- این بنیاد هیچ گونه مسئولیتی در مورد تطبیق نام نمونه با قطعه آزمون شده ندارد.
- کلیه گزارش ها توسط خط پایانی بسته شده است.
- گزارش های این بنیاد بدون حروف برجسته و هولوگرام فاقد اعتبار است.
- نتایج فوق تنها برای نمونه های مورد آزمون قابل استناد است.
- تکثیر گزارش نتایج آزمون تنها با اجازه بنیاد و به صورت کامل امکان پذیر خواهد بود.
- باقیمانده نمونه ها تنها به مدت یک ماه نگهداری خواهند شد.



شماره پیگیری	۴۱۰۰۰-۱
تاریخ ارائه گزارش	۱۴۰۲/۱۲/۰۵
شماره ویرایش	۰
پموست	
تاریخ دریافت نمونه	۱۴۰۲/۱۱/۲۲
تاریخ تایید انجام	۱۴۰۲/۱۲/۰۲
شماره نامه مشتری	۰۲۱۱۱۸-۰۱
تاریخ نامه مشتری	۱۴۰۲/۱۱/۱۸
درخواست کننده:	فرنیکان پارس آوین
آدرس شرکت:	شیراز، منطقه ویژه اقتصادی، خیابان تجارت غربی، خیابان شیراز، صنعت ۶ پلاک ۱۷
نام نمونه:	19.05, THK.2.11 Tubesheet: THK.50, GTAW (Machine), No PWHT, W-101 & W-105 FPA-PQR-104- SA-179 TO SA-516 Gr.70, Tube: Ø
شرایط محیطی	دما: 25C رطوبت: %۴۱ نمونه گیری توسط مشتری انجام شده است
شماره صفحه:	۴ از ۴۲



شکل 2. تصویر ماکروسکوپی از مقطع عرضی آماده سازی شده. (مقطع 2) محلول ظاهر کننده: نایتال ده درصد

Razi Applied Science Foundation • Razi Applied Science Foundation • Razi Applied Science Foundation • Razi Applied Science Foundation

- این بنیاد هیچ گونه مسئولیتی در مورد تطبیق نام نمونه با قطعه آزمون شده ندارد.
- کلیه گزارش ها توسط خط پایانی بسته شده است.
- تکثیر گزارش نتایج آزمون تنها با اجازه بنیاد و به صورت کامل امکان پذیر خواهد بود.
- نتایج فوق تنها برای نمونه های مورد آزمون قابل استناد است.
- گزارش های این بنیاد بدون حروف برجسته و هولوگرام فاقد اعتبار است.
- باقیمانده نمونه ها تنها به مدت یک ماه نگهداری خواهند شد.

ANALITICA
I.I.A.C. FULL MEMBER

ISO/IEC 17025 (2017)
Analitica
Accreditation Certificate
No. AAC.A.00223

آزمایشگاه همکار
اداره استاندارد استان تهران
گواهینامه تایید صلاحیت شماره T/3048
تائیدیه ها:
شرکت فولاد مبارکه
شرکت سایکو
شرکت سازه گستر سایپا
شرکت نفت و گاز پارس

مدیر فنی آزمایشگاه های فلزی
ستار نصیری



تهران، کیلومتر ۲۱ جاده مخصوص کرج، ورودی شهر قدس، بلوار شهید قاسم اصغری خیابان فرنان، پلاک ۲۷ کد پستی: ۳۷۵۳۱۴۶۱۳۷ تلفکس: ۴۶۸۴۱۱۲۱ و ۴۹۷۳۲۲ (۰۲۱)

درخواست کننده: فرنیکان پارس آوین

آدرس شرکت: شیراز، منطقه ویژه اقتصادی، خیابان تجارت غربی، خیابان شیراز، صنعت ۶ پلاک ۱۷

نام نمونه: 19.05, THK.2.11 Tubesheet: THK.50, GTAW (Machine), No PWHT, W-101 & W-105 FPA-PQR-104- SA-179 TO SA-516 Gr.70, Tube: Ø

شرایط محیطی

دما: 25C

رطوبت: %۴۱

نمونه گیری توسط مشتری انجام شده است

شماره صفحه: ۵

از ۴۲

شماره پیگیری

۴۱۰۰۰-۱

تاریخ ارائه گزارش

۱۴۰۲/۱۲/۰۵

شماره ویرایش

۰

پیوست

تاریخ دریافت نمونه

۱۴۰۲/۱۱/۲۲

تاریخ تایید انجام

۱۴۰۲/۱۲/۰۲

شماره نامه مشتری

۰۲۱۱۱۸-۰۱

تاریخ نامه مشتری

۱۴۰۲/۱۱/۱۸

ANALITICA

IAC FULL MEMBER

ISO/IEC 17025 (2017)

Analitica

Accreditation Certificate

No.AAC.A.00223

آزمایشگاه همکار

اداره استاندارد استان تهران

گواهینامه تایید صلاحیت شماره T/3048

تائیدیه ها:

شرکت فولاد مبارکه

شرکت سایکو

شرکت سازه گستر سایپا

شرکت نفت و گاز پارس

مدیر فنی آزمایشگاه های فلزی

ستار نصیری



شکل 3. تصویر ماکروسکوپی از مقطع عرضی آماده سازی شده. (مقطع 3)

محلول ظاهر کننده: نایتال ده درصد

Razi Applied Science Foundation • Razi Applied Science Foundation • Razi Applied Science Foundation • Razi Applied Science Foundation

- این بنیاد هیچ گونه مسئولیتی در مورد تطبیق نام نمونه با قطعه آزمون شده ندارد.
- کلیه گزارش ها توسط خط پایانی بسته شده است.
- تکثیر گزارش نتایج آزمون تنها با اجازه بنیاد و به صورت کامل امکان پذیر خواهد بود.
- نتایج فوق تنها برای نمونه های مورد آزمون قابل استناد است.
- گزارش های این بنیاد بدون حروف برجسته و هولوگرام فاقد اعتبار است.
- باقیمانده نمونه ها تنها به مدت یک ماه نگهداری خواهند شد.

تلفکس: ۴۶۸۴۱۱۲۱ (۰۲۱) و ۴۹۷۳۲ (۰۲۱)

کد پستی: ۳۷۵۳۱۴۶۱۳۷

تهران، کیلومتر ۲۱ جاده مخصوص کرج، ورودی شهر قدس، بلوار شهید قاسم اصغری خیابان فرنان، پلاک ۲۷

درخواست کننده: فرنیکان پارس آوین

آدرس شرکت: شیراز، منطقه ویژه اقتصادی، خیابان تجارت غربی، خیابان شیراز، صنعت ۶ پلاک ۱۷

نام نمونه: 19.05, THK.2.11 Tubesheet: THK.50, GTAW (Machine), No PWHT, W-101 & W-105 FPA-PQR-104- SA-179 TO SA-516 Gr.70, Tube: Ø

شرایط محیطی

دما: 25C

رطوبت: %۴۱

نمونه گیری توسط مشتری انجام شده است

شماره صفحه: ۶

از ۴۲

شماره پیگیری

۴۱۰۰۰-۱

تاریخ ارائه گزارش

۱۴۰۲/۱۲/۰۵

شماره ویرایش

پیوست

تاریخ دریافت نمونه

۱۴۰۲/۱۱/۲۲

تاریخ تایید انجام

۱۴۰۲/۱۲/۰۲

شماره نامه مشتری

۰۲۱۱۱۸-۰۱

تاریخ نامه مشتری

۱۴۰۲/۱۱/۱۸

ANALITICA

ILAC FULL MEMBER

ISO/IEC 17025 (2017)

Analitica

Accreditation Certificate

No.AAC.A.00223

آزمایشگاه همکار

اداره استاندارد استان تهران

گواهینامه تایید صلاحیت شماره T/3048

تائیدیه ها:

شرکت فولاد مبارکه

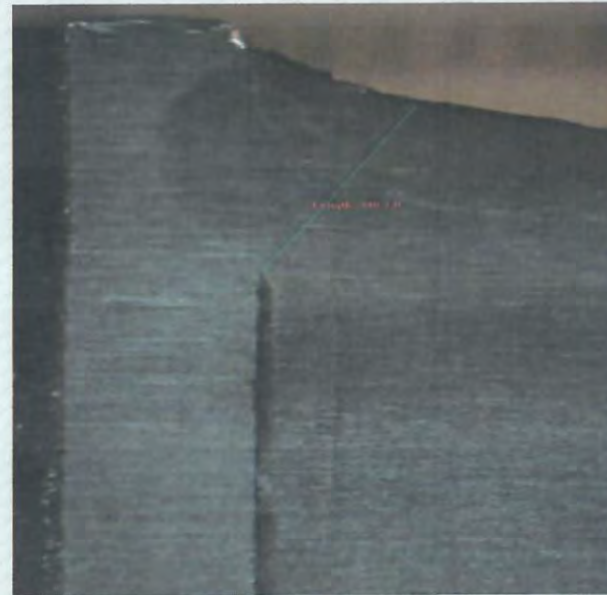
شرکت سایکو

شرکت سازه گستر سایپا

شرکت نفت و گاز پارس

مدیر فنی آزمایشگاه های فلزی

ستار نصیری



شکل 4. تصویر ماکروسکوپی از مقطع عرضی آماده سازی شده. (مقطع 4) محلول ظاهر کننده: نایتال ده درصد

Razi Applied Balance Foundation • Razi Applied Science Foundation • Razi Applied Balance Foundation • Razi Applied Science Foundation

- این بنیاد هیچ گونه مسئولیتی در مورد تطبیق نام نمونه با قطعه آزمون شده ندارد.
- تکثیر گزارش نتایج آزمون تنها با اجازه بنیاد و به صورت کامل امکان پذیر خواهد بود.
- گزارش های این بنیاد بدون حروف برجسته و هولوگرام فاقد اعتبار است.
- نتایج فوق تنها برای نمونه های مورد آزمون قابل استناد است.
- باقیمانده نمونه ها تنها به مدت یک ماه نگهداری خواهند شد.



تهران، کیلومتر ۲۱ جاده مخصوص کرج، ورودی شهر قدس، بلوار شهید قاسم اصغری خیابان فرنان، پلاک ۲۷ کد پستی: ۳۷۵۳۱۴۶۱۳۷ تلفکس: ۴۶۸۴۱۱۲۱ (۰۲۱) و ۴۹۷۳۲ (۰۲۱)

درخواست کننده: فرنیکان پارس آوین

آدرس شرکت: شیراز، منطقه ویژه اقتصادی، خیابان تجارت غربی، خیابان شیراز، صنعت ۶ پلاک ۱۷

نام نمونه: 19.05, THK.2.11 Tubesheet: THK.50, GTAW (Machine), No PWHT, W-101 & W-105 FPA-PQR-104- SA-179 TO SA-516 Gr.70, Tube: Ø

شرایط محیطی: دما: 25C رطوبت: ۴۱٪ نمونه گیری توسط مشتری انجام شده است شماره صفحه: ۷ از ۴۲

شماره پیگیری	۴۱۰۰۰۱
تاریخ ارائه گزارش	۱۴۰۲/۱۲/۰۵
شماره ویرایش	۰
پیوست	
تاریخ دریافت نمونه	۱۴۰۲/۱۱/۲۲
تاریخ تایید انجام	۱۴۰۲/۱۲/۰۲
شماره نامه مشتری	۰۲۱۱۱۸-۰۱
تاریخ نامه مشتری	۱۴۰۲/۱۱/۱۸

Analitica
ILAC FULL MEMBER
 ISO/IEC 17025 (2017)
 Analitica
 Accreditation Certificate
 No.AAC.A.00223

آزمایشگاه همکار
 اداره استاندارد استان تهران
 گواهینامه تایید صلاحیت شماره T/3048
 تاییدیه ها:
 شرکت فولاد مبارکه
 شرکت سایکو
 شرکت سازه گستر سایپا
 شرکت نفت و گاز پارس

مدیر فنی آزمایشگاه های فلزی
 ستار نصیری



شکل 5: تصویر ماکروسکوپی از مقطع عرضی آماده سازی شده. (مقطع 5) محلول ظاهر کننده: نایتال ده درصد

Razi Applied Science Foundation • Razi Applied Science Foundation • Razi Applied Science Foundation • Razi Applied Science Foundation

- این بنیاد هیچ گونه مسئولیتی در مورد تطبیق نام نمونه با قطعه آزمون شده ندارد.
- کلیه گزارش ها توسط خط پایانی بسته شده است.
- تکثیر گزارش نتایج آزمون تنها با اجازه بنیاد و به صورت کامل امکان پذیر خواهد بود.
- نتایج فوق تنها برای نمونه های مورد آزمون قابل استناد است.
- گزارش های این بنیاد بدون حروف برجسته و هولوگرام فاقد اعتبار است.
- باقیمانده نمونه ها تنها به مدت یک ماه نگهداری خواهند شد.



تهران، کیلومتر ۲۱ جاده مخصوص کرج، ورودی شهر قدس، بلوار شهید قاسم اصغری خیابان فرنان، پلاک ۲۷ کد پستی: ۳۷۵۳۱۴۶۱۳۷ تلفکس: ۴۶۸۴۱۱۲۱ (۰۲۱) و ۴۹۷۳۲ (۰۲۱)

درخواست کننده: فرنیکان پارس آوین

آدرس شرکت: شیراز، منطقه ویژه اقتصادی، خیابان تجارت غربی، خیابان شیراز، صنعت ۶ پلاک ۱۷

نام نمونه: 19.05, THK.2.11 Tubesheet: THK.50, GTAW (Machine), No PWHT, W-101 & W-105 FPA-PQR-104-SA-179 TO SA-516 Gr.70, Tube: Ø

شرایط محیطی: دما: 25C رطوبت: ۴۱٪ نمونه گیری توسط مشتری انجام شده است شماره صفحه: ۸ از ۲۲

شماره پیگیری	۴۱۰۰۰-۱
تاریخ ارائه گزارش	۱۴۰۲/۱۲/۰۵
شماره ویرایش	۰
پیوست	
تاریخ دریافت نمونه	۱۴۰۲/۱۱/۲۲
تاریخ تایید انجام	۱۴۰۲/۱۲/۰۲
شماره نامه مشتری	۰۲۱۱۱۸-۰۱
تاریخ نامه مشتری	۱۴۰۲/۱۱/۱۸

ANALITICA

ILAC FUL MEMBER

ISO/IEC 17025 (2017)

Analitica

Accreditation Certificate

No.AAC.A.00223

آزمایشگاه همکار

اداره استاندارد استان تهران

گواهینامه تایید صلاحیت شماره T/3048

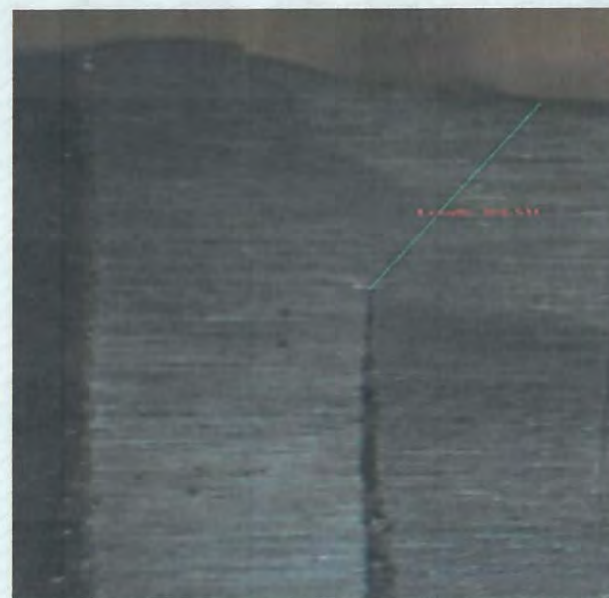
تائیدیه ها:

شرکت فولاد مبارکه

شرکت سایکو

شرکت سازه گستر سایپا

شرکت نفت و گاز پارس



شکل 6 تصویر ماکروسکوپی از مقطع عرضی آماده سازی شده، (مقطع 6)

محلول ظاهر کننده، نایتال ده درصد

مدیر فنی آزمایشگاه های فلزی

ستار نصیری



Razi Applied Science Foundation Razi Applied Science Foundation Razi Applied Science Foundation Razi Applied Science Foundation

- این بنیاد هیچ گونه مسئولیتی در مورد تطبیق نام نمونه با قطعه آزمون شده ندارد.
- کلیه گزارش ها توسط خط پایانی بسته شده است.
- تکثیر گزارش نتایج آزمون تنها با اجازه بنیاد و به صورت کامل امکان پذیر خواهد بود.
- نتایج فوق تنها برای نمونه های مورد آزمون قابل استناد است.
- گزارش های این بنیاد بدون حروف برجسته و هولوگرام فاقد اعتبار است.
- باقیمانده نمونه ها تنها به مدت یک ماه نگهداری خواهند شد.



تهران، کیلومتر ۲۱ جاده مخصوص کرج، ورودی شهر قدس، بلوار شهید قاسم اصغری خیابان فرنان، پلاک ۲۷ کد پستی: ۳۷۵۳۱۴۶۱۳۷ تلفکس: ۴۶۸۴۱۱۲۱ (۰۲۱) و ۴۹۷۳۲ (۰۲۱)

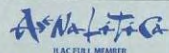
درخواست کننده: فرنیکان پارس آوین

آدرس شرکت: شیراز، منطقه ویژه اقتصادی، خیابان تجارت غربی، خیابان شیراز، صنعت ۶ پلاک ۱۷

نام نمونه: 19.05, THK.2.11 Tubesheet: THK.50, GTAW (Machine), No PWHT, W-101 & W-105 FPA-PQR-104- SA-179 TO SA-516 Gr.70, Tube: Ø

شرایط محیطی: دما: 25C رطوبت: ۴۱٪ نمونه گیری توسط مشتری انجام شده است شماره صفحه: ۹ از ۴۲

شماره پیگیری	۴۱۰۰۰-۱
تاریخ ارائه گزارش	۱۴۰۲/۱۲/۰۵
شماره ویرایش	۰
پیوست	
تاریخ دریافت نمونه	۱۴۰۲/۱۱/۲۲
تاریخ تایید انجام	۱۴۰۲/۱۲/۰۲
شماره نامه مشتری	۰۲۱۱۱۸-۰۱
تاریخ نامه مشتری	۱۴۰۲/۱۱/۱۸



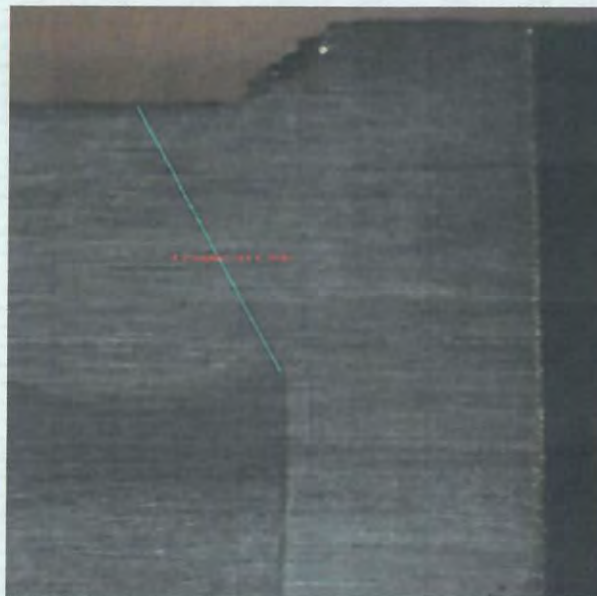
ISO/IEC 17025 (2017)
Analitica
Accreditation Certificate
No.AAC.A.00223

آزمایشگاه همکار
اداره استاندارد استان تهران
گواهینامه تایید صلاحیت شماره T/3048
تائیدیه ها:
شرکت فولاد مبارکه
شرکت سایکو
شرکت سازه گستر سایبا
شرکت نفت و گاز پارس

مدیر فنی آزمایشگاه های فلزی

ستار نصیری

Handwritten signature



شکل 7 تصویر ماکروسکوپی از مقطع عرضی آماده سازی شده. (مقطع 7)
محلول ظاهر کننده: نایتال ده درصد

Razi Applied Science Foundation • Razi Applied Science Foundation • Razi Applied Science Foundation • Razi Applied Science Foundation

- این بنیاد هیچ گونه مسئولیتی در مورد تطبیق نام نمونه با قطعه آزمون شده ندارد.
- تکثیر گزارش نتایج آزمون تنها با اجازه بنیاد و به صورت کامل امکان پذیر خواهد بود.
- کلید گزارش ها توسط خط پایانی بسته شده است.
- نتایج فوق تنها برای نمونه های مورد آزمون قابل استناد است.
- گزارش های این بنیاد بدون حروف برجسته و هولوگرام فاقد اعتبار است.
- باقیمانده نمونه ها تنها به مدت یک ماه نگهداری خواهند شد.

تهران، کیلومتر ۲۱ جاده مخصوص کرج، ورودی شهر قدس، بلوار شهید قاسم اصغری خیابان فرنان، پلاک ۲۷ کد پستی: ۳۷۵۳۱۴۶۱۳۷ تلفکس: ۴۶۸۴۱۱۲۱ (۰۲۱) و ۴۹۷۳۲ (۰۲۱)

درخواست کننده: فرنیکان پارس آوین

آدرس شرکت: شیراز، منطقه ویژه اقتصادی، خیابان تجارت غربی، خیابان شیراز، صنعت ۶ پلاک ۱۷

نام نمونه: 19.05, THK.2.11 Tubesheet: THK.50, GTAW (Machine), No PWHT, W-101 & W-105 FPA-PQR-104- SA-179 TO SA-516 Gr.70, Tube: Ø

شماره پیگیری	۴۱۰۰۰-۱
تاریخ ارائه گزارش	۱۴۰۲/۱۲/۰۵
شماره ویرایش	۰
پیوست	
تاریخ دریافت نمونه	۱۴۰۲/۱۱/۲۲
تاریخ تایید انجام	۱۴۰۲/۱۲/۰۲
شماره نامه مشتری	۰۲۱۱۱۸-۰۱
تاریخ نامه مشتری	۱۴۰۲/۱۱/۱۸

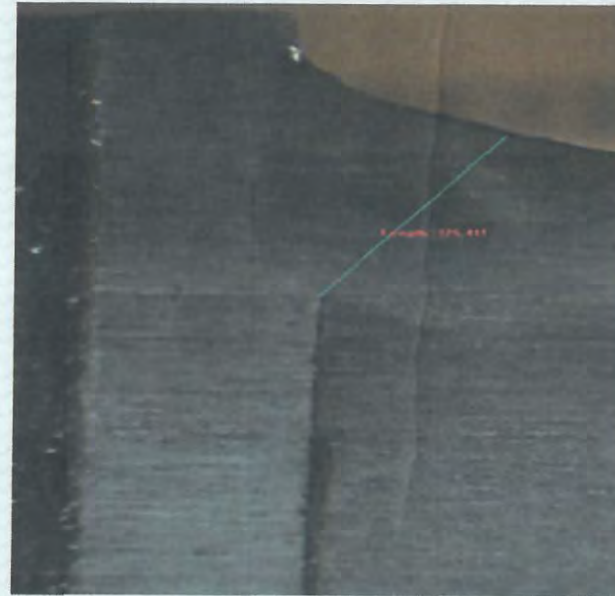
شرایط محیطی: دما: 25C رطوبت: ۴۱٪ نمونه گیری توسط مشتری انجام شده است شماره صفحه: ۱۰ از ۴۲



ISO/IEC 17025 (2017)
Analitica
Accreditation Certificate
No.AAC.A.00223

آزمایشگاه همکار
اداره استاندارد استان تهران
گواهینامه تایید صلاحیت شماره T/3048
تائیدیه ها:
شرکت فولاد مبارکه
شرکت سلیکو
شرکت سازه گستر سایپا
شرکت نفت و گاز پارس

مدیر فنی آزمایشگاه های فلزی
ستار نصیری



شکل 8 تصویر ماکروسکوپی از مقطع عرضی آماده سازی شده. (مقطع 8)
محلول ظاهر کننده: نایتال ده درصد

Razi Applied Science Foundation • Razi Applied Science Foundation • Razi Applied Science Foundation • Razi Applied Science Foundation

- این بنیاد هیچ گونه مسئولیتی در مورد تطبیق نام نمونه با قطعه آزمون شده ندارد.
- تکثیر گزارش نتایج آزمون تنها با اجازه بنیاد و به صورت کامل امکان پذیر خواهد بود.
- گزارش های این بنیاد بدون حروف برجسته و هولوگرام فاقد اعتبار است.
- نتایج فوق تنها برای نمونه های مورد آزمون قابل استناد است.
- باقیمانده نمونه ها تنها به مدت یک ماه نگهداری خواهند شد.



تلفکس: ۴۶۸۴۱۱۲۱ (۰۲۱) و ۴۹۷۳۳۲ (۰۲۱)

کد پستی: ۳۷۵۳۱۴۶۱۳۷

پلاک ۲۷

تهران، کیلومتر ۲۱ جاده مخصوص کرج، ورودی شهر قدس، بلوار شهید قاسم اصغری خیابان فرنان، پلاک ۲۷

درخواست کننده: فرنیکان پارس آوین

آدرس شرکت: شیراز، منطقه ویژه اقتصادی، خیابان تجارت غربی، خیابان شیراز، صنعت ۶ پلاک ۱۷

نام نمونه: Ø 19.05, THK.2.11 Tubesheet: THK.50, GTAW (Machine), No PWHT, W-101 & W-105 FPA-PQR-104- SA-179 TO SA-516 Gr.70, Tube: Ø

شماره پیگیری	۴۱۰۰۰-۱
تاریخ ارائه گزارش	۱۴۰۲/۱۲/۰۵
شماره ویرایش	۰
پیوست	
تاریخ دریافت نمونه	۱۴۰۲/۱۱/۲۲
تاریخ تایید انجام	۱۴۰۲/۱۲/۰۲
شماره نامه مشتری	۰۲۱۱۱۸-۰۱
تاریخ نامه مشتری	۱۴۰۲/۱۱/۱۸

شماره صفحه: ۱۱ از ۴۲

شرایط محیطی: دما: 25C رطوبت: %۴۱ نمونه گیری توسط مشتری انجام شده است

Analitica
ILAC FULL MEMBER

ISO/IEC 17025 (2017)
Analitica
Accreditation Certificate
No.AAC.A.00223

آزمایشگاه همکار
اداره استاندارد استان تهران
گواهینامه تایید صلاحیت شماره T/3048

تائیدیه ها:

شرکت فولاد مبارکه
شرکت ساپکو
شرکت سازه گستر سایپا
شرکت نفت و گاز پارس



شکل 9 تصویر ماکروسکوپی از مقطع عرضی آماده سازی شده. (مقطع 9)
محلول ظاهر کننده: نایتال ده درصد

مدیر فنی آزمایشگاه های فلزی

ستار نصیری



Razi Applied Science Foundation • Razi Applied Science Foundation • Razi Applied Science Foundation • Razi Applied Science Foundation

- این بنیاد هیچ گونه مسئولیتی در مورد تطبیق نام نمونه با قطعه آزمون شده ندارد.
- تکثیر گزارش نتایج آزمون تنها با اجازه بنیاد و به صورت کامل امکان پذیر خواهد بود.
- کلید گزارش ها توسط خط پایانی بسته شده است.
- نتایج فوق تنها برای نمونه های مورد آزمون قابل استناد است.
- گزارش های این بنیاد بدون حروف برجسته و هولوگرام فاقد اعتبار است.
- باقیمانده نمونه ها تنها به مدت یک ماه نگهداری خواهند شد.

تهران، کیلومتر ۲۱ جاده مخصوص کرج، ورودی شهر قدس، بلوار شهید قاسم اصغری خیابان فرنان، پلاک ۲۷ کد پستی: ۳۷۵۳۱۴۶۱۳۷ تلفکس: ۴۶۸۴۱۱۲۱ (۰۲۱) و ۴۹۷۳۲ (۰۲۱)

درخواست کننده: فرنیکان پارس آوین

آدرس شرکت: شیراز، منطقه ویژه اقتصادی، خیابان تجارت غربی، خیابان شیراز، صنعت ۶ پلاک ۱۷

نام نمونه: 19.05, THK.2.11 Tubesheet: THK.50, GTAW (Machine), No PWHT, W-101 & W-105 FPA-PQR-104- SA-179 TO SA-516 Gr.70, Tube: Ø

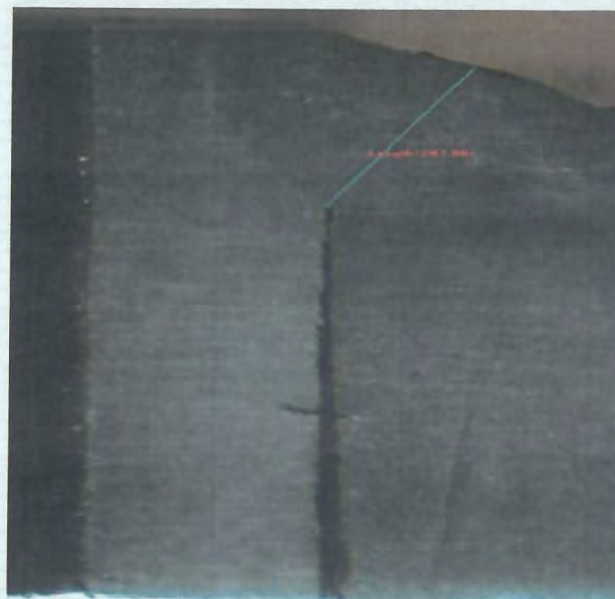
شرایط محیطی: دما: 25C رطوبت: ۴۱٪ نمونه گیری توسط مشتری انجام شده است شماره صفحه: ۱۲ از ۴۲

شماره پیگیری	۴۱۰۰۰-۱
تاریخ ارائه گزارش	۱۴۰۲/۱۲/۰۵
شماره ویرایش	۰
پیوست	
تاریخ دریافت نمونه	۱۴۰۲/۱۱/۲۲
تاریخ تایید انجام	۱۴۰۲/۱۲/۰۲
شماره نامه مشتری	۰۲۱۱۱۸-۰۱
تاریخ نامه مشتری	۱۴۰۲/۱۱/۱۸

Analitica
ILAC FULL MEMBER
ISO/IEC 17025 (2017)
Analitica
Accreditation Certificate
No.AAC.A.00223

آزمایشگاه همکار
اداره استاندارد استان تهران
گواهینامه تایید صلاحیت شماره T/3048
تائیدیه ها:
شرکت فولاد مبارکه
شرکت سایکو
شرکت سازه گستر سایپا
شرکت نفت و گاز پارس

مدیر فنی آزمایشگاه های فلزی
ستار نصیری



شکل 10 تصویر ماکروسکوپی از مقطع عرضی آماده سازی شده. (مقطع 10)
محلول ظاهر کننده: نایتال ده درصد

Razi Applied Science Foundation • Razi Applied Science Foundation • Razi Applied Science Foundation • Razi Applied Science Foundation

- این بنیاد هیچ گونه مسئولیتی در مورد تطبیق نام نمونه با قطعه آزمون شده ندارد.
- تکثیر گزارش نتایج آزمون تنها با اجازه بنیاد و به صورت کامل امکان پذیر خواهد بود.
- گزارش های این بنیاد بدون حروف برجسته و هولوگرام فاقد اعتبار است.
- نتایج فوق تنها برای نمونه های مورد آزمون قابل استناد است.
- باقیمانده نمونه ها تنها به مدت یک ماه نگهداری خواهند شد.



تلفکس: ۰۲۱) ۴۶۸۴۱۱۲۱ و ۴۹۷۳۳ (۰۲۱)

کد پستی: ۳۷۵۳۱۴۶۱۳۷

تهران، کیلومتر ۲۱ جاده مخصوص کرج، ورودی شهر قدس، بلوار شهید قاسم اصغری خیابان فرنان، پلاک ۲۷

درخواست کننده: فرنیکان پارس آوین

آدرس شرکت: شیراز، منطقه ویژه اقتصادی، خیابان تجارت غربی، خیابان شیراز، صنعت ۶ پلاک ۱۷

نام نمونه: 19.05, THK.2.11 Tubesheet: THK.50, GTAW (Machine), No PWHT, W-101 & W-105 FPA-PQR-104- SA-179 TO SA-516 Gr.70, Tube: Ø

شماره پیگیری	۴۱۰۰۰-۱
تاریخ ارائه گزارش	۱۴۰۲/۱۲/۰۵
شماره ویرایش	۰
پیوست	
تاریخ دریافت نمونه	۱۴۰۲/۱۱/۲۲
تاریخ تایید انجام	۱۴۰۲/۱۲/۰۲
شماره نامه مشتری	۰۲۱۱۱۸-۰۱
تاریخ نامه مشتری	۱۴۰۲/۱۱/۱۸

شماره صفحه: ۱۳ از ۴۲

شرایط محیطی: دما: 25C رطوبت: ۴۱٪ نمونه گیری توسط مشتری انجام شده است

ANALITICA

ILAC FULL MEMBER

ISO/IEC 17025 (2017)
Analitica
Accreditation Certificate
No.AAC.A.00223

آزمایشگاه همکار

اداره استاندارد استان تهران

گواهینامه تایید صلاحیت شماره T/3048

تائیدیه ها:

شرکت فولاد مبارکه

شرکت ساپکو

شرکت سازه گستر سایپا

شرکت نفت و گاز پارس



شکل 11 تصویر ماکروسکوپی از مقطع عرضی آماده سازی شده. (مقطع 11)
محلول ظاهر کننده: نایتال ده درصد

Razi Applied Science Foundation • Razi Applied Science Foundation • Razi Applied Science Foundation • Razi Applied Science Foundation

- این بنیاد هیچ گونه مسئولیتی در مورد تطبیق نام نمونه با قطعه آزمون شده ندارد.
- کلیه گزارش ها توسط خط پایانی بسته شده است.
- تکثیر گزارش نتایج آزمون تنها با اجازه بنیاد و به صورت کامل امکان پذیر خواهد بود.
- نتایج فوق تنها برای نمونه های مورد آزمون قابل استناد است.
- گزارش های این بنیاد بدون حروف برجسته و هولوگرام فاقد اعتبار است.
- باقیمانده نمونه ها تنها به مدت یک ماه نگهداری خواهند شد.

مدیر فنی آزمایشگاه های فیزی
ستار نصیری



تلفکس: ۴۶۸۴۱۱۲۱ (۰۲۱) و ۴۹۷۳۲۲ (۰۲۱)

کد پستی: ۳۷۵۳۱۴۶۱۳۷

تهران، کیلومتر ۲۱ جاده مخصوص کرج، ورودی شهر قدس، بلوار شهید قاسم اصغری خیابان فرنان، پلاک ۲۷

درخواست کننده: فرنیکان پارس آوین

آدرس شرکت: شیراز، منطقه ویژه اقتصادی، خیابان تجارت غربی، خیابان شیراز، صنعت ۶ پلاک ۱۷

نام نمونه: 19.05, THK.2.11 Tubesheet: THK.50, GTAW (Machine), No PWHT, W-101 & W-105 FPA-PQR-104- SA-179 TO SA-516 Gr.70, Tube: Ø

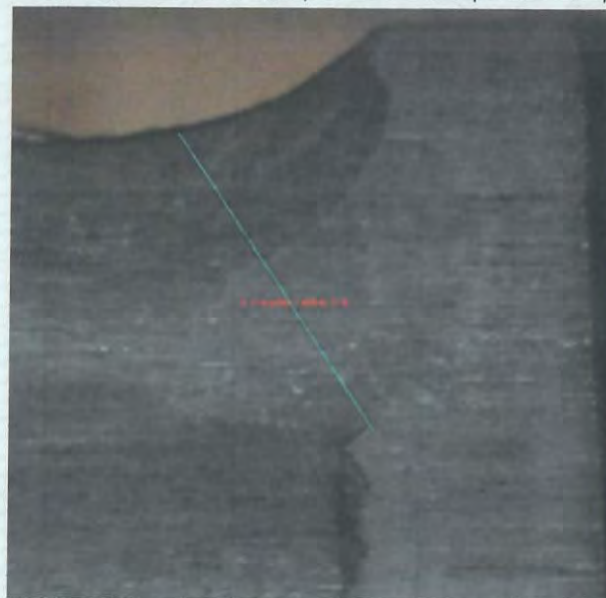
شرایط محیطی: دما: 25C | رطوبت: ۴۱٪ | نمونه گیری توسط مشتری انجام شده است | شماره صفحه: ۱۴ | از ۴۲

شماره پیگیری	۴۱۰۰۰-۱
تاریخ ارائه گزارش	۱۴۰۲/۱۲/۰۵
شماره ویرایش	۰
پیوست	
تاریخ دریافت نمونه	۱۴۰۲/۱۱/۲۲
تاریخ تایید انجام	۱۴۰۲/۱۲/۰۲
شماره نامه مشتری	۰۲۱۱۸-۰۱
تاریخ نامه مشتری	۱۴۰۲/۱۱/۱۸

Analitica
ILAC FULL MEMBER
ISO/IEC 17025 (2017)
Analitica
Accreditation Certificate
No.AAC.A.00223

آزمایشگاه همکار
اداره استاندارد استان تهران
گواهینامه تایید صلاحیت شماره T/3048
تاییدیه ها:
شرکت فولاد مبارکه
شرکت سایکو
شرکت سازه گستر سایپا
شرکت نفت و گاز پارس

مدیر فنی آزمایشگاه های فلزی



شکل 12 تصویر ماکروسکوپی از مقطع عرضی آماده سازی شده. (مقطع 12)
محلول ظاهر کننده: نایتال ده درصد

Razi Applied Science Foundation • Razi Applied Science Foundation • Razi Applied Science Foundation • Razi Applied Science Foundation

- این بنیاد هیچ گونه مسئولیتی در مورد تطبیق نام نمونه با قطعه آزمون شده ندارد.
- کلیه گزارش ها توسط خط پایانی بسته شده است.
- تکثیر گزارش نتایج آزمون تنها با اجازه بنیاد و به صورت کامل امکان پذیر خواهد بود.
- نتایج فوق تنها برای نمونه های مورد آزمون قابل استناد است.
- گزارش های این بنیاد بدون حروف برجسته و هولوگرام فاقد اعتبار است.
- باقیمانده نمونه ها تنها به مدت یک ماه نگهداری خواهند شد.

تلفکس: ۴۶۸۴۱۱۲۱ (۰۲۱) و ۴۹۷۳۲ (۰۲۱)

کد پستی: ۳۷۵۳۱۴۶۱۳۷

تهران، کیلومتر ۲۱ جاده مخصوص کرج، ورودی شهر قدس، بلوار شهید قاسم اصغری خیابان فرنان، پلاک ۲۷

درخواست کننده: فرنیکان پارس آوین

آدرس شرکت: شیراز، منطقه ویژه اقتصادی، خیابان تجارت غربی، خیابان شیراز، صنعت ۶ پلاک ۱۷

نام نمونه: 19.05, THK.2.11 Tubesheet: THK.50, GTAW (Machine), No PWHT, W-101 & W-105 FPA-PQR-104- SA-179 TO SA-516 Gr.70, Tube: Ø

از ۴۲

شماره صفحه: ۱۵

شرایط محیطی: دما: 25C رطوبت: ۴۱٪ نمونه گیری توسط مشتری انجام شده است

شماره پیگیری	۴۱۰۰۰-۱
تاریخ ارائه گزارش	۱۴۰۲/۱۲/۰۵
شماره ویرایش	۰
پیوست	
تاریخ دریافت نمونه	۱۴۰۲/۱۱/۲۲
تاریخ تایید انجام	۱۴۰۲/۱۲/۰۲
شماره نامه مشتری	۰۲۱۱۱۸-۰۱
تاریخ نامه مشتری	۱۴۰۲/۱۱/۱۸

Analitica
ILAC FULL MEMBER
ISO/IEC 17025 (2017)
Analitica
Accreditation Certificate
No.AAC.A.00223

آزمایشگاه همکار
اداره استاندارد استان تهران
کواهینامه تایید صلاحیت شماره T/3048
تائیدیه ها:
شرکت فولاد مبارکه
شرکت سایکو
شرکت سازه گستر سایپا
شرکت نفت و گاز پارس

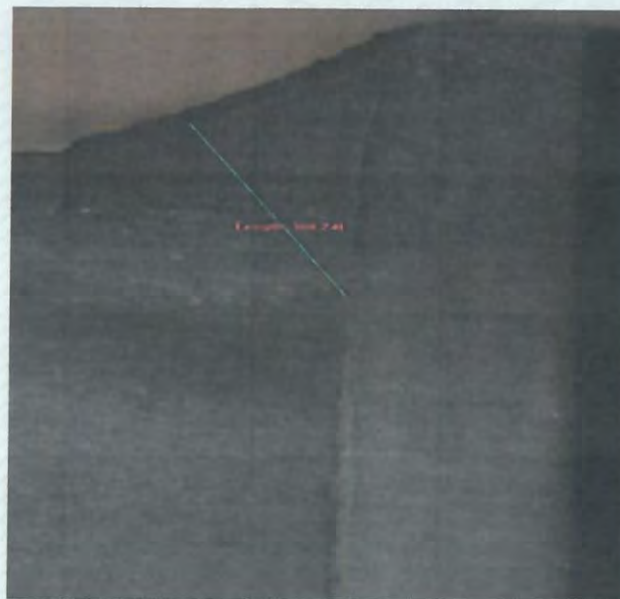
مدیر فنی آزمایشگاه های فلزی

ستار نصیری



مدیر فنی آزمایشگاه ها

رضا خیرنگ



شکل 13 تصویر ماکروسکوپی از مقطع عرضی آماده سازی شده. (مقطع 13)
محلول ظاهر کننده: نایتال ده درصد

Razi Applied Science Foundation • Razi Applied Science Foundation • Razi Applied Science Foundation • Razi Applied Science Foundation

- این بنیاد هیچ گونه مسئولیتی در مورد تطبیق نام نمونه با قطعه آزمون شده ندارد.
- کلیه گزارش ها توسط خط پایانی بسته شده است.
- تکثیر گزارش نتایج آزمون تنها با اجازه بنیاد و به صورت کامل امکان پذیر خواهد بود.
- نتایج فوق تنها برای نمونه های مورد آزمون قابل استناد است.
- گزارش های این بنیاد بدون حروف برجسته و هولوگرام فاقد اعتبار است.
- باقیمانده نمونه ها تنها به مدت یک ماه نگهداری خواهند شد.

تلفکس: ۴۶۸۴۱۱۲۱ (۰۲۱) و ۴۹۷۳۳۲ (۰۲۱)

کد پستی: ۳۷۵۳۱۴۶۱۳۷

تهران، کیلومتر ۲۱ جاده مخصوص کرج، ورودی شهر قدس، بلوار شهید قاسم اصغری خیابان فرنان، پلاک ۲۷

درخواست کننده: فرنیکان پارس آوین

آدرس شرکت: شیراز، منطقه ویژه اقتصادی، خیابان تجارت غربی، خیابان شیراز، صنعت ۶ پلاک ۱۷

نام نمونه: 19.05, THK.2.11 Tubesheet: THK.50, GTAW (Machine), No PWHT, W-101 & W-105 FPA-PQR-104- SA-179 TO SA-516 Gr.70, Tube: Ø

شماره پیگیری	۴۱۰۰۰-۱
تاریخ ارائه گزارش	۱۴۰۲/۱۲/۰۵
شماره ویرایش	۰
پیوست	
تاریخ دریافت نمونه	۱۴۰۲/۱۱/۲۲
تاریخ تایید انجام	۱۴۰۲/۱۲/۰۲
شماره نامه مشتری	۰۲۱۱۱۸-۰۱
تاریخ نامه مشتری	۱۴۰۲/۱۱/۱۸

شماره صفحه: ۱۶ از ۴۲

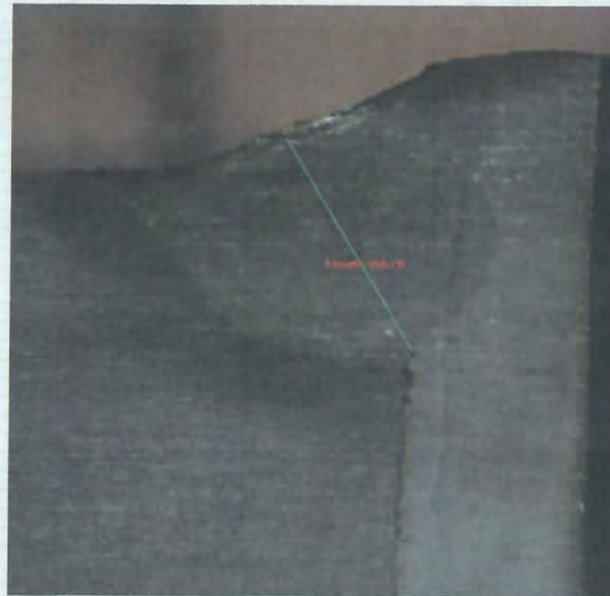
شرایط محیطی: دما: 25C رطوبت: ۴۱٪ نمونه گیری توسط مشتری انجام شده است

ANALITICA
ILAC FULL MEMBER
ISO/IEC 17025 (2017)
Analitica
Accreditation Certificate
No.AAC.A.00223

آزمایشگاه همکار
اداره استاندارد استان تهران
گواهینامه تایید صلاحیت شماره T/3048
تائیدیه ها:
شرکت فولاد مبارکه
شرکت ساپکو
شرکت سازه گستر سایپا
شرکت نفت و گاز پارس

مدیر فنی آزمایشگاه های فلزی

ستار نصیری



شکل 14 تصویر ماکروسکوپی از مقطع عرضی آماده سازی شده. (مقطع 14)
محلول ظاهر کننده: ناپتال ده درصد

Razi Applied Science Foundation • Razi Applied Science Foundation • Razi Applied Science Foundation • Razi Applied Science Foundation

- این بنیاد هیچ گونه مسئولیتی در مورد تطبیق نام نمونه با قطعه آزمون شده ندارد.
- کلیه گزارش ها توسط خط پایانی بسته شده است.
- تکثیر گزارش آزمون تنها با اجازه بنیاد و به صورت کامل امکان پذیر خواهد بود.
- نتایج فوق تنها برای نمونه های مورد آزمون قابل استناد است.
- گزارش های این بنیاد بدون حروف برجسته و هولوگرام فاقد اعتبار است.
- باقیمانده نمونه ها تنها به مدت یک ماه نگهداری خواهند شد.

تلفکس: ۰۲۱) ۴۶۸۴۱۱۲۱ و ۰۲۱) ۴۹۷۳۳۲

کد پستی: ۳۷۵۳۱۴۶۱۳۷

تهران، کیلومتر ۲۱ جاده مخصوص کرج، ورودی شهر قدس، بلوار شهید قاسم اصغری خیابان فرنان، پلاک ۲۷

درخواست کننده: فرنیکان پارس آوین

آدرس شرکت: شیراز، منطقه ویژه اقتصادی، خیابان تجارت غربی، خیابان شیراز، صنعت ۶ پلاک ۱۷

نام نمونه: 19.05, THK.2.11 Tubesheet: THK.50, GTAW (Machine), No PWHT, W-101 & W-105 FPA-PQR-104- SA-179 TO SA-516 Gr.70, Tube: Ø

شماره پیگیری	۴۱۰۰۰-۱
تاریخ ارائه گزارش	۱۴۰۲/۱۲/۰۵
شماره ویرایش	۰
پیوست	
تاریخ دریافت نمونه	۱۴۰۲/۱۱/۲۲
تاریخ تایید انجام	۱۴۰۲/۱۲/۰۲
شماره نامه مشتری	۰۲۱۱۱۸-۰۱
تاریخ نامه مشتری	۱۴۰۲/۱۱/۱۸

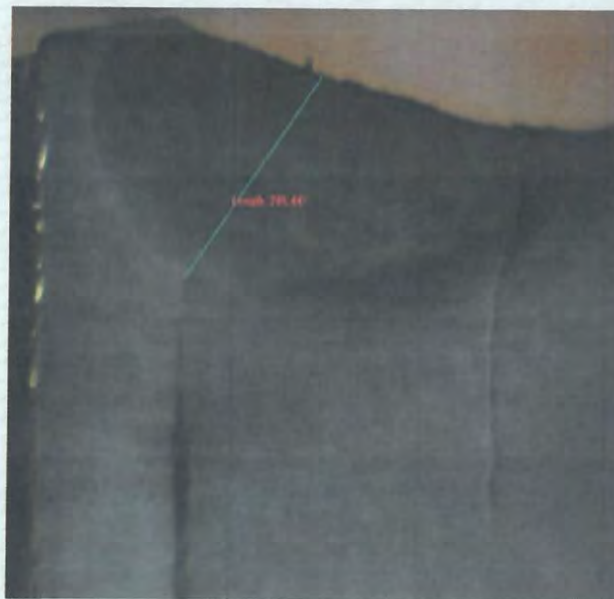
شماره صفحه: ۱۷ از ۴۲

شرایط محیطی: دما: 25C رطوبت: ۴۱٪ نمونه گیری توسط مشتری انجام شده است

ANALITICA
ILAC FULL MEMBER
ISO/IEC 17025 (2017)
Analitica
Accreditation Certificate
No.AAC.A.00223

آزمایشگاه همکار
اداره استاندارد استان تهران
گواهینامه تایید صلاحیت شماره T/3048
تائیدیه ها:
شرکت فولاد مبارکه
شرکت ساپکو
شرکت سازه گستر ساینا
شرکت نفت و گاز پارس

مدیر فنی آزمایشگاه های فلزی
ستار نصیری



شکل 15 تصویر ماکروسکوپی از مقطع عرضی آماده سازی شده. (مقطع 15)
محلول ظاهر کننده: نایتال ده درصد

Razi Applied Science Foundation • Razi Applied Science Foundation • Razi Applied Science Foundation • Razi Applied Science Foundation

- این بنیاد هیچ گونه مسئولیتی در مورد تطبیق نام نمونه با قطعه آزمون شده ندارد.
- تکثیر گزارش نتایج آزمون تنها با اجازه بنیاد و به صورت کامل امکان پذیر خواهد بود.
- کلید گزارش ها توسط خط پایانی بسته شده است.
- نتایج فوق تنها برای نمونه های مورد آزمون قابل استناد است.
- گزارش های این بنیاد بدون حروف برجسته و هولوگرام فاقد اعتبار است.
- باقیمانده نمونه ها تنها به مدت یک ماه نگهداری خواهند شد.



تلفکس: ۴۶۸۴۱۱۲۱ (۰۲۱) و ۴۹۷۳۲۲ (۰۲۱)

کد پستی: ۳۷۵۳۱۴۶۱۳۷

تهران، کیلومتر ۲۱ جاده مخصوص کرج، ورودی شهر قدس، بلوار شهید قاسم اصغری خیابان فرنان، پلاک ۲۷

درخواست کننده: فرنیکان پارس آوین

آدرس شرکت: شیراز، منطقه ویژه اقتصادی، خیابان تجارت غربی، خیابان شیراز، صنعت ۶ پلاک ۱۷

نام نمونه: 19.05, THK.2.11 Tubesheet: THK.50, GTAW (Machine), No PWHT, W-101 & W-105 FPA-PQR-104- SA-179 TO SA-516 Gr.70, Tube: Ø

شماره پیگیری	۴۱۰۰۰-۱
تاریخ ارائه گزارش	۱۴۰۲/۱۲/۰۵
شماره ویرایش	۰
پیوست	
تاریخ دریافت نمونه	۱۴۰۲/۱۱/۲۲
تاریخ تایید انجام	۱۴۰۲/۱۲/۰۲
شماره نامه مشتری	۰۲۱۱۱۸-۰۱
تاریخ نامه مشتری	۱۴۰۲/۱۱/۱۸

شماره صفحه: ۱۸ از ۴۲

شرایط محیطی: دما: 25C رطوبت: ۴۱٪ نمونه گیری توسط مشتری انجام شده است



شکل 16. تصویر ماکروسکوپی از مقطع عرضی آماده سازی شده. (مقطع 16) محلول ظاهر کننده: نایتال ده درصد

ANALITICA
ILAC FULL MEMBER
ISO/IEC 17025 (2017)
Analitica
Accreditation Certificate
No.AAC.A.00223

آزمایشگاه همکار
اداره استاندارد استان تهران
گواهینامه تایید صلاحیت شماره T/3048
تائیدیه ها:
شرکت فولاد مبارکه
شرکت سایکو
شرکت سازه گستر سایپا
شرکت نفت و گاز پارس

مدیر فنی آزمایشگاه های فلزی

علیر نصیری



مدیر علمی آزمایشگاه ها

احمد زاهدی

Razi Applied Science Foundation • Razi Applied Science Foundation • Razi Applied Science Foundation • Razi Applied Science Foundation

- این بنیاد هیچ گونه مسئولیتی در مورد تطبیق نام نمونه با قطعه آزمون شده ندارد.
- کلیه گزارش ها توسط خط پایانی بسته شده است.
- تکثیر گزارش نتایج آزمون تنها با اجازه بنیاد و به صورت کامل امکان پذیر خواهد بود.
- نتایج فوق تنها برای نمونه های مورد آزمون قابل استناد است.
- گزارش های این بنیاد بدون حروف برجسته و هولوگرام فاقد اعتبار است.
- باقیمانده نمونه ها تنها به مدت یک ماه نگهداری خواهند شد.

تلفکس: ۴۶۸۴۱۱۲۱ (۰۲۱) و ۴۹۷۳۲ (۰۲۱)	کد پستی: ۳۷۵۳۱۴۶۱۳۷	تهران، کیلومتر ۲۱ جاده مخصوص کرج، ورودی شهر قدس، بلوار شهید قاسم اصغری خیابان فرنان، پلاک ۲۷
درخواست کننده: فرنیکان پارس آوین		
آدرس شرکت: شیراز، منطقه ویژه اقتصادی، خیابان تجارت غربی، خیابان شیراز، صنعت ۶ پلاک ۱۷		
نام نمونه: Ø 19.05, THK.2.11 Tubesheet: THK.50, GTAW (Machine), No PWHT, W-101 & W-105 FPA-PQR-104- SA-179 TO SA-516 Gr.70, Tube: Ø		
شماره صفحه: ۱۹	از ۴۲	شرایط محیطی: دما: 25C رطوبت: ۷۴٪ نمونه گیری توسط مشتری انجام شده است

شماره پیگیری	۴۱۰۰۰-۱
تاریخ ارائه گزارش	۱۴۰۲/۱۲/۰۵
شماره ویرایش	۰
پیوست	
تاریخ دریافت نمونه	۱۴۰۲/۱۱/۲۲
تاریخ تایید انجام	۱۴۰۲/۱۲/۰۲
شماره نامه مشتری	۰۲۱۱۱۸-۰۱
تاریخ نامه مشتری	۱۴۰۲/۱۱/۱۸



ISO/IEC 17025 (2017)
Analitica
Accreditation Certificate
No.AAC.A.00223

آزمایشگاه همکار
اداره استاندارد استان تهران
گواهینامه تایید صلاحیت شماره T/3048
تائیدیه ها:
شرکت فولاد مبارکه
شرکت سایکو
شرکت سازه گستر سایپا
شرکت نفت و گاز پارس

مدیر فنی آزمایشگاه های فلزی
ستار نصیری



شکل 17. تصویر ماکروسکوپی از مقطع عرضی آماده سازی شده. (مقطع 17)
محلول ظاهر کننده: نایتال ده درصد

Razi Applied Balance Foundation • Razi Applied Balance Foundation • Razi Applied Balance Foundation • Razi Applied Balance Foundation

- این بنیاد هیچ گونه مسئولیتی در مورد تطبیق نام نمونه با قطعه آزمون شده ندارد.
- کلیه گزارش ها توسط خط پایانی بسته شده است.
- نتایج فوق تنها برای نمونه های مورد آزمون قابل استناد است.
- تکثیر گزارش نتایج آزمون تنها با اجازه بنیاد و به صورت کامل امکان پذیر خواهد بود.
- گزارش های این بنیاد بدون حروف برجسته و هولوگرام فاقد اعتبار است.
- باقیمانده نمونه ها تنها به مدت یک ماه نگهداری خواهند شد.

تلفکس: ۰۲۱) ۴۶۸۴۱۱۲۱ و ۰۲۱) ۴۹۷۳۳۲	کد پستی: ۳۷۵۳۱۴۶۱۳۷	تهران، کیلومتر ۲۱ جاده مخصوص کرج، ورودی شهر قدس، بلوار شهید قاسم اصغری خیابان فرنان، پلاک ۲۷
درخواست کننده: فرنیکان پارس آوین		
آدرس شرکت: شیراز، منطقه ویژه اقتصادی، خیابان تجارت غربی، خیابان شیراز، صنعت ۶ پلاک ۱۷		
نام نمونه: 19.05, THK.2.11 Tubesheet: THK.50, GTAW (Machine), No PWHT, W-101 & W-105 FPA-PQR-104- SA-179 TO SA-516 Gr.70, Tube: Ø		

شماره پیگیری	۴۱۰۰۰-۱
تاریخ ارائه گزارش	۱۴۰۲/۱۲/۰۵
شماره ویرایش	۰
پیوست	
تاریخ دریافت نمونه	۱۴۰۲/۱۱/۲۲
تاریخ تایید انجام	۱۴۰۲/۱۲/۰۲
شماره نامه مشتری	۰۲۱۱۱۸-۰۱
تاریخ نامه مشتری	۱۴۰۲/۱۱/۱۸

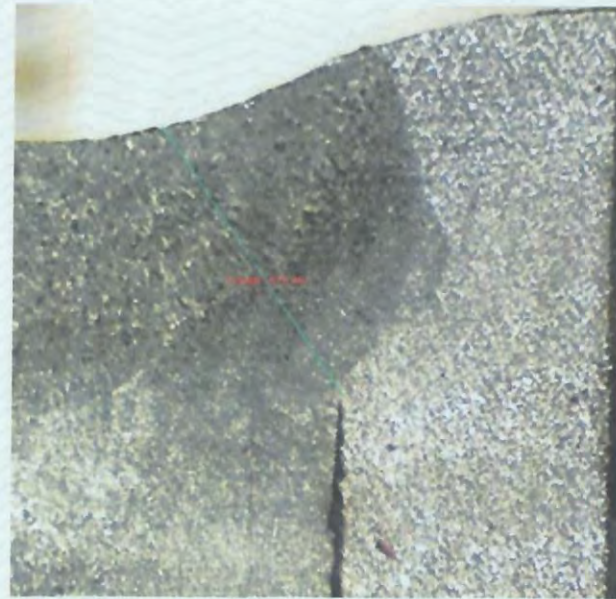
شرایط محیطی	دما: 25C	رطوبت: %۴۱	نمونه گیری توسط مشتری انجام شده است	شماره صفحه: ۳۰	از ۴۲
-------------	----------	------------	-------------------------------------	----------------	-------

ANALITICA
IAC FULL MEMBER
ISO/IEC 17025 (2017)
Analitica
Accreditation Certificate
No.AAC.A.00223

آزمایشگاه همکار
اداره استاندارد استان تهران
گواهینامه تایید صلاحیت شماره T/3048
تائیدیه ها:
شرکت فولاد مبارکه
شرکت ساپکو
شرکت سازه گستر سایپا
شرکت نفت و گاز پارس

مدیر فنی آزمایشگاه های فلزی

ستاد نصیری



شکل 18. تصویر ماکروسکوپی از مقطع عرضی آماده سازی شده. (مقطع 18)
محلول ظاهر کننده: نایتال ده درصد

Razi Applied Balance Foundation • Razi Applied Balance Foundation • Razi Applied Balance Foundation • Razi Applied Balance Foundation

- این بنیاد هیچ گونه مسئولیتی در مورد تطبیق نام نمونه با قطعه آزمون شده ندارد.
- کلیه گزارش ها توسط خط پایانی بسته شده است.
- تکثیر گزارش نتایج آزمون تنها با اجازه بنیاد و به صورت کامل امکان پذیر خواهد بود.
- نتایج فوق تنها برای نمونه های مورد آزمون قابل استناد است.
- گزارش های این بنیاد بدون حروف برجسته و هولوگرام فاقد اعتبار است.
- باقیمانده نمونه ها تنها به مدت یک ماه نگهداری خواهند شد.

تلفکس: ۴۶۸۴۱۱۲۱ و ۴۹۷۳۲۲ (۰۲۱)

کد پستی: ۳۷۵۳۱۴۶۱۳۷

تهران، کیلومتر ۲۱ جاده مخصوص کرج، ورودی شهر قدس، بلوار شهید قاسم اصغری خیابان فرنان، پلاک ۲۷

درخواست کننده: فرنیکان پارس آوین

آدرس شرکت: شیراز، منطقه ویژه اقتصادی، خیابان تجارت غربی، خیابان شیراز، صنعت ۶ پلاک ۱۷

نام نمونه: Ø 19.05, THK.2.11 Tubesheet: THK.50, GTAW (Machine), No PWHT, W-101 & W-105 FPA-PQR-104- SA-179 TO SA-516 Gr.70, Tube: Ø

شرایط محیطی: دما: 25C رطوبت: ۴۱٪ نمونه گیری توسط مشتری انجام شده است شماره صفحه: ۲۱ از ۴۲

شماره پیگیری	۴۱۰۰۰-۱
تاریخ ارائه گزارش	۱۴۰۲/۱۲/۰۵
شماره ویرایش	۰
پیوست	
تاریخ دریافت نمونه	۱۴۰۲/۱۱/۲۲
تاریخ تایید انجام	۱۴۰۲/۱۲/۰۲
شماره نامه مشتری	۰۲۱۱۱۸-۰۱
تاریخ نامه مشتری	۱۴۰۲/۱۱/۱۸

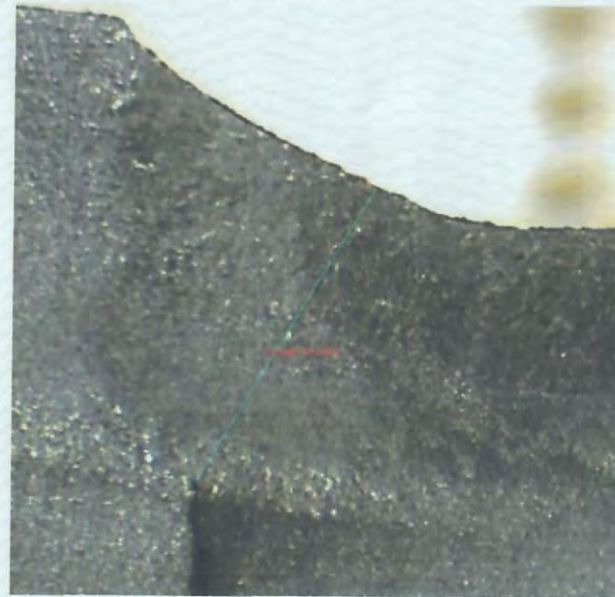
Analitica
ILAC FULL MEMBER
ISO/IEC 17025 (2017)
Analitica
Accreditation Certificate
No.AAC.A.00223

آزمایشگاه همکار
اداره استاندارد استان تهران
گواهینامه تأیید صلاحیت شماره T/3048
تأییدیه ها:
شرکت فولاد مبارکه
شرکت سابکو
شرکت سازه گستر سایپا
شرکت نفت و گاز پارس

مدیر فنی آزمایشگاه های فلزی

ستار نصیری

مدیر علمی آزمایشگاه ها
رضیه روشن منش
واحد آزمایشگاه



شکل 19. تصویر ماکروسکوپی از مقطع عرضی آماده سازی شده. (مقطع 19)
محلول ظاهر کننده: نایتال ده درصد

Razi Applied Balance Foundation • Razi Applied Balance Foundation • Razi Applied Balance Foundation • Razi Applied Balance Foundation

- این بنیاد هیچ گونه مسئولیتی در مورد تطبیق نام نمونه با قطعه آزمون شده ندارد.
- تکثیر گزارش نتایج آزمون تنها با اجازه بنیاد و به صورت کامل امکان پذیر خواهد بود.
- کلیه گزارش ها توسط خط پایانی بسته شده است.
- نتایج فوق تنها برای نمونه های مورد آزمون قابل استناد است.
- گزارش های این بنیاد بدون حروف برجسته و هولوگرام فاقد اعتبار است.
- باقیمانده نمونه ها تنها به مدت یک ماه نگهداری خواهند شد.

تهرآن، کیلومتر ۲۱ جاده مخصوص کرج، ورودی شهر قدس، بلوار شهید قاسم اصغری خیابان فرنان، پلاک ۲۷	کد پستی: ۳۷۵۳۱۴۶۱۳۷	تلفکس: ۴۶۸۴۱۱۲۱ (۰۲۱) و ۴۹۷۳۲ (۰۲۱)
درخواست کننده: فرنیکان پارس آوین		
آدرس شرکت: شیراز، منطقه ویژه اقتصادی، خیابان تجارت غربی، خیابان شیراز، صنعت ۶ پلاک ۱۷		
نام نمونه: Ø 19.05, THK.2.11 Tubesheet: THK.50, GTAW (Machine), No PWHT, W-101 & W-105 FPA-PQR-104- SA-179 TO SA-516 Gr.70, Tube: Ø		
شرایط محیطی	دما: 25C	رطوبت: ۴۱٪
نمونه گیری توسط مشتری انجام شده است		
شماره صفحه: ۲۲	از ۴۲	

شماره پیگیری	۴۱۰۰۰-۱
تاریخ ارائه گزارش	۱۴۰۲/۱۲/۰۵
شماره ویرایش	۰
پیوست	
تاریخ دریافت نمونه	۱۴۰۲/۱۱/۲۲
تاریخ تایید انجام	۱۴۰۲/۱۲/۰۲
شماره نامه مشتری	۰۲۱۱۸-۰۱
تاریخ نامه مشتری	۱۴۰۲/۱۱/۱۸

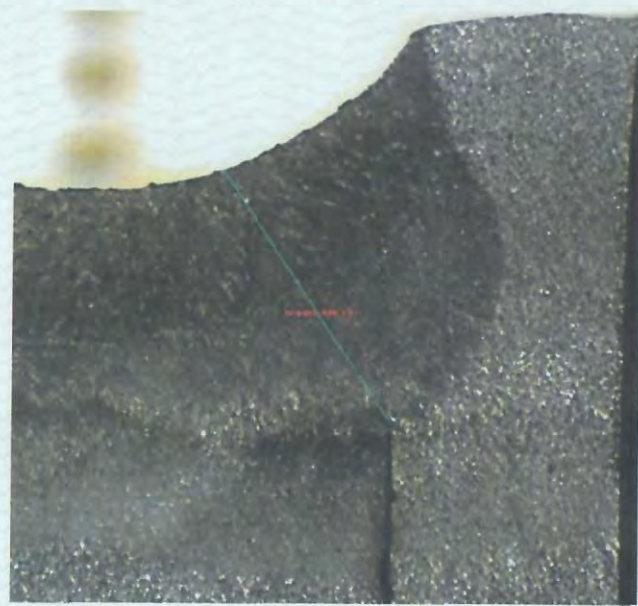
Analitica
ILAC FULL MEMBER
ISO/IEC 17025 (2017)
Analitica
Accreditation Certificate
No.AAC.A.00223

آزمایشگاه همکار
اداره استاندارد استان تهران
کواهینامه تایید صلاحیت شماره T/3048
تائیدیه ها:
شرکت فولاد مبارکه
شرکت سایکو
شرکت سازه گستر سایپا
شرکت نفت و گاز پارس

مدیر فنی آزمایشگاه های فلزی



مدیر فنی آزمایشگاه ها
واحد آزمون و کنترل کیفیت



شکل 20. تصویر ماکروسکوپی از مقطع عرضی آماده سازی شده. (مقطع 20)
محلول ظاهر کننده: نایتال ده درصد

Applied Science Foundation (ASCI) Applied Science Foundation (ASCI) Applied Science Foundation (ASCI) Applied Science Foundation (ASCI)

- این بنیاد هیچ گونه مسئولیتی در مورد تطبیق نام نمونه با قطعه آزمون شده ندارد.
- تکثیر گزارش نتایج آزمون تنها با اجازه بنیاد و به صورت کامل امکان پذیر خواهد بود.
- کلیه گزارش ها توسط خط پایانی بسته شده است.
- نتایج فوق تنها برای نمونه های مورد آزمون قابل استناد است.
- گزارش های این بنیاد بدون حروف برجسته و هولوگرام فاقد اعتبار است.
- باقیمانده نمونه ها تنها به مدت یک ماه نگهداری خواهند شد.

تلفکس: ۰۲۱) ۴۶۷۳۲ و ۰۲۱) ۴۶۸۴۱۱۲۱

کد پستی: ۳۷۵۳۱۴۶۱۳۷

تهران، کیلومتر ۲۱ جاده مخصوص کرج، ورودی شهر قدس، بلوار شهید قاسم اصغری خیابان فرنان، پلاک ۲۷

درخواست کننده: فرنیکان پارس آوین

آدرس شرکت: شیراز، منطقه ویژه اقتصادی، خیابان تجارت غربی، خیابان شیراز، صنعت ۶ پلاک ۱۷

نام نمونه: 19.05, THK.2.11 Tubesheet: THK.50, GTAW (Machine), No PWHT, W-101 & W-105 FPA-PQR-104- SA-179 TO SA-516 Gr.70, Tube: Ø

شماره پیگیری	۴۱۰۰۰-۱
تاریخ ارائه گزارش	۱۴۰۲/۱۲/۰۵
شماره ویرایش	۰
پیوست	
تاریخ دریافت نمونه	۱۴۰۲/۱۱/۲۲
تاریخ تأیید انجام	۱۴۰۲/۱۲/۰۲
شماره نامه مشتری	۰۲۱۱۱۸-۰۱
تاریخ نامه مشتری	۱۴۰۲/۱۱/۱۸

شماره صفحه: ۲۳ از ۴۲

شرایط محیطی: دما: 25C رطوبت: ۴۱٪ نمونه گیری توسط مشتری انجام شده است

Analitica
ILAC FULL MEMBER
ISO/IEC 17025 (2017)
Analitica
Accreditation Certificate
No.AAC.A.00223

آزمایشگاه همکار
اداره استاندارد استان تهران
گواهینامه تأیید صلاحیت شماره T/3048
تائیدیه ها:
شرکت فولاد مبارکه
شرکت ساپکو
شرکت سازه گستر سایپا
شرکت نفت و گاز پارس

مدیر فنی آزمایشگاه های فلزی



شکل 21. تصویر ماکروسکوپی از مقطع عرضی آماده سازی شده. (مقطع 21)
محلول ظاهر کننده: نایتال ده درصد

Razi Applied Balance Foundation • Razi Applied Balance Foundation • Razi Applied Balance Foundation • Razi Applied Balance Foundation

- این بنیاد هیچ گونه مسئولیتی در مورد تطبیق نام نمونه با قطعه آزمون شده ندارد.
- تکثیر گزارش نتایج آزمون تنها با اجازه بنیاد و به صورت کامل امکان پذیر خواهد بود.
- گزارش های این بنیاد بدون حروف برجسته و هولوگرام فاقد اعتبار است.
- نتایج فوق تنها برای نمونه های مورد آزمون قابل استناد است.
- باقیمانده نمونه ها تنها به مدت یک ماه نگهداری خواهند شد.

تلفکس: ۴۶۸۴۱۱۲۱ (۰۲۱) و ۴۹۷۳۲ (۰۲۱)	کد پستی: ۳۷۵۳۱۴۶۱۳۷	تهران، کیلومتر ۲۱ جاده مخصوص کرج، ورودی شهر قدس، بلوار شهید قاسم اصغری خیابان فرزان، پلاک ۲۷
درخواست کننده: فرنیکان پارس آوین		
آدرس شرکت: شیراز، منطقه ویژه اقتصادی، خیابان تجارت غربی، خیابان شیراز، صنعت ۶ پلاک ۱۷		
نام نمونه: 19.05, THK.2.11 Tubesheet: THK.50, GTAW (Machine), No PWHT, W-101 & W-105 FPA-PQR-104- SA-179 TO SA-516 Gr.70, Tube: Ø		
شماره صفحه: ۲۴	از ۴۲	شرایط محیطی: دما: 25C رطوبت: ۴۱٪ نمونه گیری توسط مشتری انجام شده است

شماره پیگیری	۴۱۰۰۰-۱
تاریخ ارائه گزارش	۱۴۰۲/۱۲/۰۵
شماره ویرایش	۰
پیوست	
تاریخ دریافت نمونه	۱۴۰۲/۱۱/۲۲
تاریخ تایید انجام	۱۴۰۲/۱۲/۰۲
شماره نامه مشتری	۰۲۱۱۸-۰۱
تاریخ نامه مشتری	۱۴۰۲/۱۱/۱۸

Analitica
ILAC/IEC MEMBER
ISO/IEC 17025 (2017)
Analitica
Accreditation Certificate
No.AAC.A.00223

آزمایشگاه همکار
اداره استاندارد استان تهران
گواهینامه تایید صلاحیت شماره T/3048
تائیدیه ها:
شرکت فولاد مبارکه
شرکت سابکو
شرکت سازه گستر سایپا
شرکت نفت و گاز پارس

مدیر فنی آزمایشگاه های فلزی

ستار نصیری



مدیر عملی آزمایشگاه ها

رضا خورشیدی
واحد آزمون



شکل 22. تصویر ماکروسکوپی از مقطع عرضی آماده سازی شده. (مقطع 22)
محلول ظاهر کننده: نایتال ده درصد

Razi Applied Science Foundation • Razi Applied Science Foundation • Razi Applied Science Foundation • Razi Applied Science Foundation

- این بنیاد هیچ گونه مسئولیتی در مورد تطبیق نام نمونه با قطعه آزمون شده ندارد.
- کلیه گزارش ها توسط خط پایانی بسته شده است.
- تکثیر گزارش نتایج آزمون تنها با اجازه بنیاد و به صورت کامل امکان پذیر خواهد بود.
- نتایج فوق تنها برای نمونه های مورد آزمون قابل استناد است.
- گزارش های این بنیاد بدون حروف برجسته و هولوگرام فاقد اعتبار است.
- باقیمانده نمونه ها تنها به مدت یک ماه نگهداری خواهند شد.

تلفکس: ۰۲۱) ۴۶۸۴۱۱۲۱ و ۴۹۷۳۲ (۰۲۱)

کد پستی: ۳۷۵۳۱۴۶۱۳۷

تهران، کیلومتر ۲۱ جاده مخصوص کرج، ورودی شهر قدس، بلوار شهید قاسم اصغری خیابان فرنان، پلاک ۲۷

درخواست کننده: فرنیکان پارس آوین

آدرس شرکت: شیراز، منطقه ویژه اقتصادی، خیابان تجارت غربی، خیابان شیراز، صنعت ۶ پلاک ۱۷

نام نمونه: Ø 19.05, THK.2.11 Tubesheet: THK.50, GTAW (Machine), No PWHT, W-101 & W-105 FPA-PQR-104- SA-179 TO SA-516 Gr.70, Tube: Ø

شماره پیگیری	۴۱۰۰۰-۱
تاریخ ارائه گزارش	۱۴۰۲/۱۲/۰۵
شماره ویرایش	۰
پیوست	
تاریخ دریافت نمونه	۱۴۰۲/۱۱/۲۲
تاریخ تایید انجام	۱۴۰۲/۱۲/۰۲
شماره نامه مشتری	۰۲۱۱۱۸-۰۱
تاریخ نامه مشتری	۱۴۰۲/۱۱/۱۸

شماره صفحه: ۳۵ از ۴۲

شرایط محیطی: دما: 25C رطوبت: %۴۱ نمونه گیری توسط مشتری انجام شده است

Analitica
ILAC FULL MEMBER
ISO/IEC 17025 (2017)
Analitica
Accreditation Certificate
No.AAC.A.00223

آزمایشگاه همکار
اداره استاندارد استان تهران
گواهینامه تایید صلاحیت شماره T/3048
تائیدیه ها:
شرکت فولاد مبارکه
شرکت ساپکو
شرکت سازه گستر سایپا
شرکت نفت و گاز پارس

مدیر فنی آزمایشگاه های فلزی

ساز نصیری



شکل 23. تصویر میکروسکوپی از مقطع عرضی آماده سازی شده. (مقطع 23)
محلول ظاهر کننده: نایتال ده درصد

Razi Applied Science Foundation • Razi Applied Science Foundation • Razi Applied Science Foundation • Razi Applied Science Foundation

- این بنیاد هیچ گونه مسئولیتی در مورد تطبیق نام نمونه با قطعه آزمون شده ندارد.
- کلیه گزارش ها توسط خط پایانی بسته شده است.
- تکثیر گزارش نتایج آزمون تنها با اجازه بنیاد و به صورت کامل امکان پذیر خواهد بود.
- نتایج فوق تنها برای نمونه های مورد آزمون قابل استناد است.
- باقیمانده نمونه ها تنها به مدت یک ماه نگهداری خواهند شد.
- گزارش های این بنیاد بدون حروف برجسته و هولوگرام فاقد اعتبار است.



شماره پیگیری	۴۱۰۰۰-۱
تاریخ ارائه گزارش	۱۴۰۲/۱۲/۰۵
شماره ویرایش	۰
پیوست	
تاریخ دریافت نمونه	۱۴۰۲/۱۱/۲۲
تاریخ تایید انجام	۱۴۰۲/۱۲/۰۲
شماره نامه مشتری	۰۲۱۱۱۸-۰۱
تاریخ نامه مشتری	۱۴۰۲/۱۱/۱۸
درخواست کننده: فرنیکان پارس آوین	
آدرس شرکت: شیراز، منطقه ویژه اقتصادی، خیابان تجارت غربی، خیابان شیراز، صنعت ۶ پلاک ۱۷	
نام نمونه: 19.05, THK.2.11 Tubesheet: THK.50, GTAW (Machine), No PWHT, W-101 & W-105 FPA-PQR-104- SA-179 TO SA-516 Gr.70, Tube: Ø	
شرایط محیطی	دما: 25C
رطوبت:	۴۱٪
نمونه گیری توسط مشتری انجام شده است	
شماره صفحه:	۲۶
از	۴۲



شکل 24. تصویر ماکروسکوپی از مقطع عرضی آماده سازی شده. (مقطع 24)
محلول ظاهر کننده: نایتال ده درصد

razifoundation.com • Razi Applied Science Foundation • Razi Applied Science Foundation • Razi Applied Science Foundation

- این بنیاد هیچ گونه مسئولیتی در مورد تطبیق نام نمونه با قطعه آزمون شده ندارد.
- تکثیر گزارش نتایج آزمون تنها با اجازه بنیاد و به صورت کامل امکان پذیر خواهد بود.
- کلید گزارش ها توسط خط پایانی بسته شده است.
- نتایج فوق تنها برای نمونه های مورد آزمون قابل استناد است.
- گزارش های این بنیاد بدون حروف برجسته و هولوگرام فاقد اعتبار است.
- باقیمانده نمونه ها تنها به مدت یک ماه نگهداری خواهند شد.

ISO/IEC 17025 (2017)
Analitica
Accreditation Certificate
No.AAC.A.00223

آزمایشگاه همکار
اداره استاندارد استان تهران
گواهینامه تأیید صلاحیت شماره T/3048
تأییدیه ها:
شرکت فولاد مبارکه
شرکت ساینکو
شرکت سازه گستر سایپا
شرکت نفت و گاز پارس

مدیر فنی آزمایشگاه های فلزی

فرنیکان



مدیر علمی آزمایشگاه ها

رضا خورشیدی

وکیل آرایشی



تهران، کیلومتر ۲۱ جاده مخصوص کرج، ورودی شهر قدس، بلوار شهید قاسم اصغری خیابان فرنان، پلاک ۲۷ کد پستی: ۳۷۵۳۱۴۶۱۳۷ تلفکس: ۴۶۸۴۱۱۲۱ (۰۲۱) و ۴۹۷۳۲ (۰۲۱)

درخواست کننده: فرنیکان پارس آوین

آدرس شرکت: شیراز، منطقه ویژه اقتصادی، خیابان تجارت غربی، خیابان شیراز، صنعت ۶ پلاک ۱۷

نام نمونه: 19.05, THK.2.11 Tubesheet: THK.50, GTAW (Machine), No PWHT, W-101 & W-105 FPA-PQR-104- SA-179 TO SA-516 Gr.70, Tube: Ø

شماره پیگیری	۴۱۰۰۰-۱
تاریخ ارائه گزارش	۱۴۰۲/۱۲/۰۵
شماره ویرایش	۰
پیوست	
تاریخ دریافت نمونه	۱۴۰۲/۱۱/۲۲
تاریخ تایید انجام	۱۴۰۲/۱۲/۰۲
شماره نامه مشتری	۰۲۱۱۱۸-۰۱
تاریخ نامه مشتری	۱۴۰۲/۱۱/۱۸

شرایط محیطی: دما: 25C رطوبت: ۴۱٪ نمونه گیری توسط مشتری انجام شده است شماره صفحه: ۲۷ از ۴۲

Analitica
ILAC F001 MEMBER
ISO/IEC 17025 (2017)
Analitica
Accreditation Certificate
No.AAC.A.00223

آزمایشگاه همکار
اداره استاندارد استان تهران
گواهینامه تایید صلاحیت شماره T/3048
تائیدیه ها:
شرکت فولاد مبارکه
شرکت سابکو
شرکت سازه گستر سایپا
شرکت نفت و گاز پارس

مدیر فنی آزمایشگاه های فلزی

ستار نصیری

مدیر عملی آزمایشگاه ها

رطبه خوشرو منش

واحد آزمایشگاه



شکل 25. تصویر ماکروسکوپی از مقطع عرضی آماده سازی شده. (مقطع 25)

محلول ظاهر کننده: نایتال ده درصد

Razi Applied Defense Foundation • Razi Applied Defense Foundation • Razi Applied Defense Foundation • Razi Applied Defense Foundation

- این بنیاد هیچ گونه مسئولیتی در مورد تطبیق نام نمونه با قطعه آزمون شده ندارد.
- کلیه گزارش ها توسط خط پایانی بسته شده است.
- نتایج فوق تنها برای نمونه های مورد آزمون قابل استناد است.
- تکثیر گزارش نتایج آزمون تنها با اجازه بنیاد و به صورت کامل امکان پذیر خواهد بود.
- باقیمانده نمونه ها تنها به مدت یک ماه نگهداری خواهند شد.
- گزارش های این بنیاد بدون حروف برجسته و هولوگرام فاقد اعتبار است.

تهران، کیلومتر ۲۱ جاده مخصوص کرج، ورودی شهر قدس، بلوار شهید قاسم اصغری خیابان فرنان، پلاک ۲۷ کد پستی: ۳۷۵۳۱۴۶۱۳۷ تلفکس: ۴۶۸۴۱۱۲۱ (۰۲۱) و ۴۹۷۳۲ (۰۲۱)

درخواست کننده: فرنیگان پارس آوین

آدرس شرکت: شیراز، منطقه ویژه اقتصادی، خیابان تجارت غربی، خیابان شیراز، صنعت ۶ پلاک ۱۷

نام نمونه: 19.05, THK.2.11 Tubesheet: THK.50, GTAW (Machine), No PWHT, W-101 & W-105 FPA-PQR-104- SA-179 TO SA-516 Gr.70, Tube: Ø

شماره پیگیری	۴۱۰۰۰-۱
تاریخ ارائه گزارش	۱۴۰۲/۱۲/۰۵
شماره ویرایش	۰
پیوست	
تاریخ دریافت نمونه	۱۴۰۲/۱۱/۲۲
تاریخ تایید انجام	۱۴۰۲/۱۲/۰۲
شماره نامه مشتری	۰۲۱۱۱۸-۰۱
تاریخ نامه مشتری	۱۴۰۲/۱۱/۱۸

شماره صفحه: ۲۸ از ۴۲

شرایط محیطی: دما: 25C رطوبت: %۴۱ نمونه گیری توسط مشتری انجام شده است

Analitica
ILAC FULL MEMBER
ISO/IEC 17025 (2017)
Analitica
Accreditation Certificate
No.AAC.A.00223

آزمایشگاه همکار
اداره استاندارد استان تهران
گواهینامه تایید صلاحیت شماره T/3048
تائیدیه ها:
شرکت فولاد مبارکه
شرکت سایکو
شرکت سازه گستر سایبا
شرکت نفت و گاز پارس



شکل 26. تصویر ماکروسکوپی از مقطع عرضی آماده سازی شده. (مقطع 26)
محلول ظاهر کننده: نایتال ده درصد

Razi Applied Balance Foundation • Razi Applied Balance Foundation • Razi Applied Balance Foundation • Razi Applied Balance Foundation

- این بنیاد هیچ گونه مسئولیتی در مورد تطبیق نام نمونه با قطعه آزمون شده ندارد.
- کلیه گزارش ها توسط خط پایانی بسته شده است.
- تکثیر گزارش نتایج آزمون تنها با اجازه بنیاد و به صورت کامل امکان پذیر خواهد بود.
- نتایج فوق تنها برای نمونه های مورد آزمون قابل استناد است.
- گزارش های این بنیاد بدون حروف برجسته و هولوگرام فاقد اعتبار است.
- باقیمانده نمونه ها تنها به مدت یک ماه نگهداری خواهند شد.

مدیر فنی آزمایشگاه های فلزی

ستار نصیری



مدیر علمی آزمایشگاه ها

رضیا خوش بخت

واحد آزمون



تلفکس: ۰۲۱) ۴۶۸۴۱۱۲۱ و ۰۲۱) ۴۹۷۳۳۲

کد پستی: ۳۷۵۳۱۴۶۱۳۷

تهران، کیلومتر ۲۱ جاده مخصوص کرج، ورودی شهر قدس، بلوار شهید قاسم اصغری خیابان فرنان، پلاک ۲۷

درخواست کننده: فرنیکان پارس آوین

آدرس شرکت: شیراز، منطقه ویژه اقتصادی، خیابان تجارت غربی، خیابان شیراز، صنعت ۶ پلاک ۱۷

نام نمونه: 19.05, THK.2.11 Tubesheet: THK.50, GTAW (Machine), No PWHT, W-101 & W-105 FPA-PQR-104- SA-179 TO SA-516 Gr.70, Tube: Ø

شماره پیگیری	۴۱۰۰۰-۱
تاریخ ارائه گزارش	۱۴۰۲/۱۲/۰۵
شماره ویرایش	۰
پیوست	
تاریخ دریافت نمونه	۱۴۰۲/۱۱/۲۲
تاریخ تایید انجام	۱۴۰۲/۱۲/۰۲
شماره نامه مشتری	۰۲۱۱۱۸-۰۱
تاریخ نامه مشتری	۱۴۰۲/۱۱/۱۸

شماره صفحه: ۲۹ از ۴۲

شرایط محیطی: دما: 25C رطوبت: ۴۱٪ نمونه گیری توسط مشتری انجام شده است

ANALITICA
ILAC FULL MEMBER
ISO/IEC 17025 (2017)
Analitica
Accreditation Certificate
No.AAC.A.00223

آزمایشگاه همکار
اداره استاندارد استان تهران
گواهینامه تأیید صلاحیت شماره T/3048
تائیدیه ها:
شرکت فولاد مبارکه
شرکت سلیکو
شرکت سازه گستر سایپا
شرکت نفت و گاز پارس

مدیر فنی آزمایشگاه های فلزی

سید نصیری



مدیر علمی آزمایشگاه ها

رضا خورشید منش



شکل 27. تصویر ماکروسکوپی از مقطع عرضی آماده سازی شده. (مقطع 27).
محلول ظاهر کننده: نایتال ده درصد

Razi Applied Science Foundation • Razi Applied Science Foundation • Razi Applied Science Foundation • Razi Applied Science Foundation

- این بنیاد هیچ گونه مسئولیتی در مورد تطبیق نام نمونه با قطعه آزمون شده ندارد.
- کلیه گزارش ها توسط خط پایانی بسته شده است.
- نتایج فوق تنها برای نمونه های مورد آزمون قابل استناد است.
- تکثیر گزارش نتایج آزمون تنها با اجازه بنیاد و به صورت کامل امکان پذیر خواهد بود.
- باقیمانده نمونه ها تنها به مدت یک ماه نگهداری خواهند شد.
- گزارش های این بنیاد بدون حروف برجسته و هولوگرام فاقد اعتبار است.

تهران، کیلومتر ۲۱ جاده مخصوص کرج، ورودی شهر قدس، بلوار شهید قاسم اصغری خیابان فرنان، پلاک ۲۷ کد پستی: ۳۷۵۳۱۴۶۱۳۷ تلفکس: ۴۶۸۴۱۱۲۱ (۰۲۱) و ۴۹۷۳۲ (۰۲۱)

درخواست کننده: فرنیکان پارس آوین

آدرس شرکت: شیراز، منطقه ویژه اقتصادی، خیابان تجارت غربی، خیابان شیراز، صنعت ۶ پلاک ۱۷

نام نمونه: 19.05, THK.2.11 Tubesheet: THK.50, GTAW (Machine), No PWHT, W-101 & W-105 FPA-PQR-104- SA-179 TO SA-516 Gr.70, Tube: Ø

شماره پیگیری	۴۱۰۰۰-۱
تاریخ ارائه گزارش	۱۴۰۲/۱۲/۰۵
شماره ویرایش	۰
پیوست	
تاریخ دریافت نمونه	۱۴۰۲/۱۱/۲۲
تاریخ تایید انجام	۱۴۰۲/۱۲/۰۲
شماره نامه مشتری	۰۲۱۱۱۸-۰۱
تاریخ نامه مشتری	۱۴۰۲/۱۱/۱۸

شرایط محیطی: دما: 25C رطوبت: ۴۱٪ نمونه گیری توسط مشتری انجام شده است شماره صفحه: ۳۰ از ۴۲

Analitica

ILAC FULL MEMBER

ISO/IEC 17025 (2017)

Analitica

Accreditation Certificate

No.AAC.A.00223

آزمایشگاه همکار

اداره استاندارد استان تهران

گواهینامه تایید صلاحیت شماره T/3048

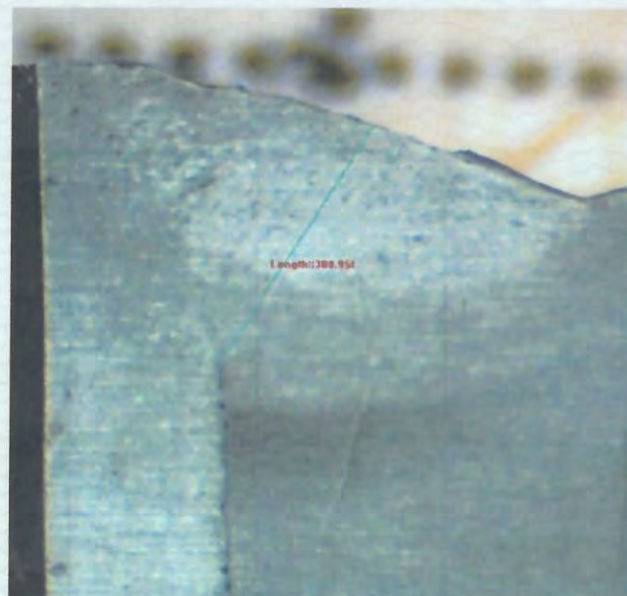
تائیدیه ها:

شرکت فولاد مبارکه

شرکت سایکو

شرکت سازه گستر سایپا

شرکت نفت و گاز پارس



شکل 28. تصویر ماکروسکوپی از مقطع عرضی آماده سازی شده. (مقطع 28) محلول ظاهر کننده: نایتال ده درصد

مدیر فنی آزمایشگاه های فلزی

سید نصیری

مدیر عملی آزمایشگاه ها

رسول رحمانی

www.razi-foundation.com

- این بنیاد هیچ گونه مسئولیتی در مورد تطبیق نام نمونه با قطعه آزمون شده ندارد.
- کلیه گزارش ها توسط خط پایانی بسته شده است.
- تکثیر گزارش نتایج آزمون تنها با اجازه بنیاد و به صورت کامل امکان پذیر خواهد بود.
- نتایج فوق تنها برای نمونه های مورد آزمون قابل استناد است.
- باقیمانده نمونه ها تنها به مدت یک ماه نگهداری خواهند شد.



تلفکس: ۴۶۸۴۱۱۲۱ (۰۲۱) و ۴۹۷۲۲۲ (۰۲۱)

کد پستی: ۳۷۵۳۱۴۶۱۳۷

تهران، کیلومتر ۲۱ جاده مخصوص کرج، ورودی شهر قدس، بلوار شهید قاسم اصغری خیابان فرنان، پلاک ۲۷

درخواست کننده: فرنیکان پارس آوین

آدرس شرکت: شیراز، منطقه ویژه اقتصادی، خیابان تجارت غربی، خیابان شیراز، صنعت ۶ پلاک ۱۷

نام نمونه: 19.05, THK.2.11 Tubesheet: THK.50, GTAW (Machine), No PWHT, W-101 & W-105 FPA-PQR-104- SA-179 TO SA-516 Gr.70, Tube: Ø

شماره پیگیری	۴۱۰۰۰-۱
تاریخ ارائه گزارش	۱۴۰۲/۱۲/۰۵
شماره ویرایش	۰
پیوست	
تاریخ دریافت نمونه	۱۴۰۲/۱۱/۲۲
تاریخ تایید انجام	۱۴۰۲/۱۲/۰۲
شماره نامه مشتری	۰۲۱۱۱۸-۰۱
تاریخ نامه مشتری	۱۴۰۲/۱۱/۱۸

شماره صفحه: ۳۱ از ۴۲

شرایط محیطی: دما: 25C رطوبت: ۴۱٪ نمونه گیری توسط مشتری انجام شده است

Analitica
ILAC FULL MEMBER

ISO/IEC 17025 (2017)
Analitica
Accreditation Certificate
No.AAC.A.00223

آزمایشگاه همکار
اداره استاندارد استان تهران
گواهینامه تایید صلاحیت شماره T/3048
تاییدیه ها:
شرکت فولاد مبارکه
شرکت سایکو
شرکت سازه گستر سایپا
شرکت نفت و گاز پارس

مدیر فنی آزمایشگاه های فلزی

کار سیستم تصویری

مدیر علمی آزمایشگاه ها

واحد آزمون فلزی



شکل 29. تصویر ماکروسکوپی از مقطع عرضی آماده سازی شده. (مقطع 29)
محلول ظاهر کننده: نایتال ده درصد

Razi Applied Science Foundation • Razi Applied Science Foundation • Razi Applied Science Foundation • Razi Applied Science Foundation

- این بنیاد هیچ گونه مسئولیتی در مورد تطبیق نام نمونه با قطعه آزمون شده ندارد.
- کلیه گزارش ها توسط خط پایانی بسته شده است.
- نتایج فوق تنها برای نمونه های مورد آزمون قابل استناد است.
- تکثیر گزارش نتایج آزمون تنها با اجازه بنیاد و به صورت کامل امکان پذیر خواهد بود.
- گزارش های این بنیاد بدون حروف برجسته و هولوگرام فاقد اعتبار است.
- باقیمانده نمونه ها تنها به مدت یک ماه نگهداری خواهند شد.

تهران، کیلومتر ۲۱ جاده مخصوص کرج، ورودی شهر قدس، بلوار شهید قاسم اصغری خیابان فرنان، پلاک ۲۷ کد پستی: ۳۷۵۳۱۴۶۱۳۷ تلفکس: ۴۶۸۴۱۱۲۱ (۰۲۱) و ۴۹۷۲۳۲ (۰۲۱)
درخواست کننده: فرنیکان پارس آوین
آدرس شرکت: شیراز، منطقه ویژه اقتصادی، خیابان تجارت غربی، خیابان شیراز، صنعت ۶ پلاک ۱۷
نام نمونه: 19.05, THK.2.11 Tubesheet: THK.50, GTAW (Machine), No PWHT, W-101 & W-105 FPA-PQR-104- SA-179 TO SA-516 Gr.70, Tube: Ø

شماره پیگیری	۴۱۰۰۰-۱
تاریخ ارائه گزارش	۱۴۰۲/۱۲/۰۵
شماره ویرایش	۰
پیوست	
تاریخ دریافت نمونه	۱۴۰۲/۱۱/۲۲
تاریخ تایید انجام	۱۴۰۲/۱۲/۰۲
شماره نامه مشتری	۰۲۱۱۱۸-۰۱
تاریخ نامه مشتری	۱۴۰۲/۱۱/۱۸

شرایط محیطی: دما: 25C رطوبت: ۴۱٪ نمونه گیری توسط مشتری انجام شده است شماره صفحه: ۳۲ از ۴۲

ANALITICA
ILAC FULL MEMBER
ISO/IEC 17025 (2017)
Analitica
Accreditation Certificate
No.AAC.A.00223

آزمایشگاه همکار
اداره استاندارد استان تهران
T/3048 گواهینامه تایید صلاحیت شماره
تاییدیه ها:
شرکت فولاد مبارکه
شرکت سایکو
شرکت سازه گستر سایپا
شرکت نفت و گاز پارس

مدیر فنی آزمایشگاه های فلزی

تازه نصیری



مدیر علمی آزمایشگاه ها

رضا محوش منش



شکل 30. تصویر ماکروسکوپی از مقطع عرضی آماده سازی شده. (مقطع 30)
محلول ظاهر کننده: نایتال ده درصد

Razi Applied Science Foundation • Razi Applied Science Foundation • Razi Applied Science Foundation • Razi Applied Science Foundation

- این بنیاد هیچ گونه مسئولیتی در مورد تطبیق نام نمونه با قطعه آزمون شده ندارد.
- تکثیر گزارش نتایج آزمون تنها با اجازه بنیاد و به صورت کامل امکان پذیر خواهد بود.
- کلید گزارش ها توسط خط پایانی بسته شده است.
- نتایج فوق تنها برای نمونه های مورد آزمون قابل استناد است.
- گزارش های این بنیاد بدون حروف برجسته و هولوگرام فاقد اعتبار است.
- باقیمانده نمونه ها تنها به مدت یک ماه نگهداری خواهند شد.

تهران، کیلومتر ۲۱ جاده مخصوص کرج، ورودی شهر قدس، بلوار شهید قاسم اصغری خیابان فرنان، پلاک ۲۷ کد پستی: ۳۷۵۳۱۴۶۱۳۷ تلفکس: ۴۶۸۴۱۱۲۱ (۰۲۱) و ۴۹۷۳۲ (۰۲۱)

درخواست کننده: فرنیکان پارس آوین

آدرس شرکت: شیراز، منطقه ویژه اقتصادی، خیابان تجارت غربی، خیابان شیراز، صنعت ۶ پلاک ۱۷

نام نمونه: 19.05, THK.2.11 Tubesheet: THK.50, GTAW (Machine), No PWHT, W-101 & W-105 FPA-PQR-104- SA-179 TO SA-516 Gr.70, Tube: Ø

شرایط محیطی: دما: 25C رطوبت: ۴۱٪ نمونه گیری توسط مشتری انجام شده است شماره صفحه: ۳۳ از ۴۲

شماره پیگیری	۴۱۰۰۰-۱
تاریخ ارائه گزارش	۱۴۰۲/۱۲/۰۵
شماره ویرایش	۰
پیوست	
تاریخ دریافت نمونه	۱۴۰۲/۱۱/۲۲
تاریخ تایید انجام	۱۴۰۲/۱۲/۰۲
شماره نامه مشتری	۰۲۱۱۸-۰۱
تاریخ نامه مشتری	۱۴۰۲/۱۱/۱۸

ANALITICA
ILAC FULL MEMBER

ISO/IEC 17025 (2017)
Analitica
Accreditation Certificate
No.AAC.A.00223

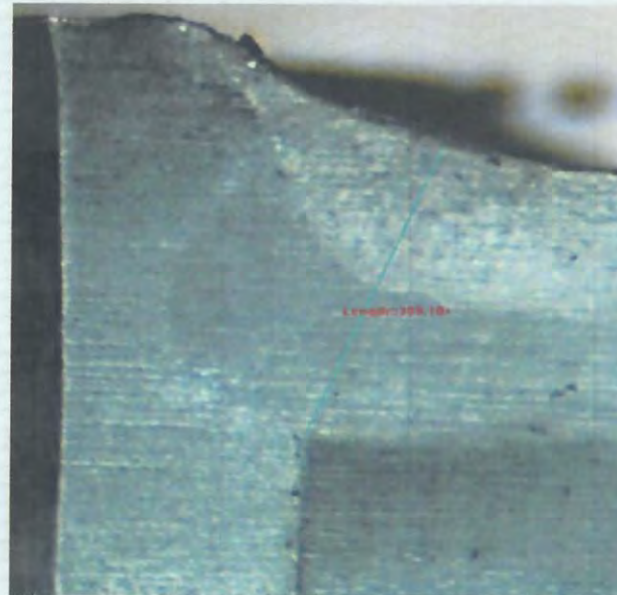
آزمایشگاه همکار
اداره استاندارد استان تهران
گواهینامه تایید صلاحیت شماره T/3048
تائیدیه ها:
شرکت فولاد مبارکه
شرکت سایکو
شرکت سازه گستر سانیان
شرکت نفت و گاز پارس

مدیر فنی آزمایشگاه های فلزی



مدیر علمی آزمایشگاه ها

Razi Applied Science Foundation • Razi Applied Science Foundation • Razi Applied Science Foundation • Razi Applied Science Foundation



شکل 31. تصویر ماکروسکوپی از مقطع عرضی آماده سازی شده. (مقطع 31)
محلول ظاهر کننده: نایتال ده درصد

- این بنیاد هیچ گونه مسئولیتی در مورد تطبیق نام نمونه با قطعه آزمون شده ندارد.
- کلیه گزارش ها توسط خط پایانی بسته شده است.
- تکثیر گزارش نتایج آزمون تنها با اجازه بنیاد و به صورت کامل امکان پذیر خواهد بود.
- نتایج فوق تنها برای نمونه های مورد آزمون قابل استناد است.
- گزارش های این بنیاد بدون حروف برجسته و هولوگرام فاقد اعتبار است.
- باقیمانده نمونه ها تنها به مدت یک ماه نگهداری خواهند شد.

تهران، کیلومتر ۲۱ جاده مخصوص کرج، ورودی شهر قدس، بلوار شهید قاسم اصغری خیابان فرنان، پلاک ۲۷ کد پستی: ۳۷۵۳۱۴۶۱۳۷ تلفکس: ۴۶۸۴۱۱۲۱ (۰۲۱) و ۴۹۷۳۲ (۰۲۱)

درخواست کننده: فرنیکان پارس آوین

آدرس شرکت: شیراز، منطقه ویژه اقتصادی، خیابان تجارت غربی، خیابان شیراز، صنعت ۶ پلاک ۱۷

نام نمونه: Ø 19.05, THK.2.11 Tubesheet: THK.50, GTAW (Machine), No PWHT, W-101 & W-105 FPA-PQR-104- SA-179 TO SA-516 Gr.70, Tube: Ø

شرایط محیطی: دما: 25C رطوبت: ۴۱٪ نمونه گیری توسط مشتری انجام شده است شماره صفحه: ۳۴ از ۴۲

شماره پیگیری	۴۱۰۰۰-۱
تاریخ ارائه گزارش	۱۴۰۲/۱۲/۰۵
شماره ویرایش	۰
پیوست	
تاریخ دریافت نمونه	۱۴۰۲/۱۱/۲۲
تاریخ تایید انجام	۱۴۰۲/۱۲/۰۲
شماره نامه مشتری	۰۲۱۱۱۸-۰۱
تاریخ نامه مشتری	۱۴۰۲/۱۱/۱۸

ANALITICA
ILAC FULL MEMBER
ISO/IEC 17025 (2017)
Analitica
Accreditation Certificate
No.AAC.A.00223

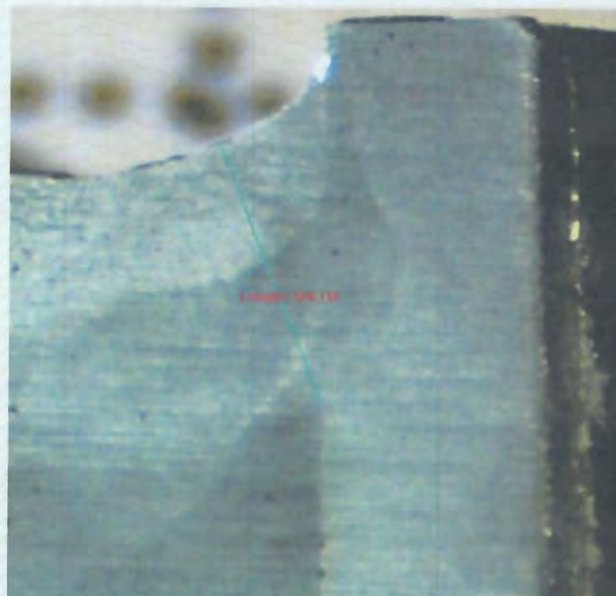
آزمایشگاه همکار
اداره استاندارد استان تهران
گواهینامه تایید صلاحیت شماره T/3048
تائیدیه ها:
شرکت فولاد مبارکه
شرکت سناپکو
شرکت سازه گستر ساییا
شرکت نفت و گاز پارس

مدیر فنی آزمایشگاه های فلزی

تار نصیری



مدیر علمی آزمایشگاه ها
رضاخوشن



شکل 32. تصویر ماکروسکوپی از مقطع عرضی آماده سازی شده. (مقطع 32) محلول ظاهر کننده: نایتال ده درصد

Razi Applied Science Foundation • Razi Applied Science Foundation • Razi Applied Science Foundation • Razi Applied Science Foundation

- این بنیاد هیچ گونه مسئولیتی در مورد تطبیق نام نمونه با قطعه آزمون شده ندارد.
- تکثیر گزارش نتایج آزمون تنها با اجازه بنیاد و به صورت کامل امکان پذیر خواهد بود.
- کلیه گزارش ها توسط خط پایانی بسته شده است.
- نتایج فوق تنها برای نمونه های مورد آزمون قابل استناد است.
- گزارش های این بنیاد بدون حروف برجسته و هولوگرام فاقد اعتبار است.
- باقیمانده نمونه ها تنها به مدت یک ماه نگهداری خواهند شد.

تهران، کیلومتر ۲۱ جاده مخصوص کرج، ورودی شهر قدس، بلوار شهید قاسم اصغری خیابان فرنان، پلاک ۲۷ کد پستی: ۳۷۵۳۱۴۶۱۳۷ تلفکس: ۴۶۸۴۱۱۲۱ و ۴۹۷۳۲ (۰۲۱)

درخواست کننده: فرنیکان پارس آوین
آدرس شرکت: شیراز، منطقه ویژه اقتصادی، خیابان تجارت غربی، خیابان شیراز، صنعت ۶ پلاک ۱۷

نام نمونه: 19.05, THK.2.11 Tubesheet: THK.50, GTAW (Machine), No PWHT, W-101 & W-105 FPA-PQR-104- SA-179 TO SA-516 Gr.70, Tube: Ø

شماره پیگیری	۴۱۰۰۰-۱
تاریخ ارائه گزارش	۱۴۰۲/۱۲/۰۵
شماره ویرایش	۰
پیوست	
تاریخ دریافت نمونه	۱۴۰۲/۱۱/۲۲
تاریخ تأیید انجام	۱۴۰۲/۱۲/۰۲
شماره نامه مشتری	۰۲۱۱۱۸-۰۱
تاریخ نامه مشتری	۱۴۰۲/۱۱/۱۸

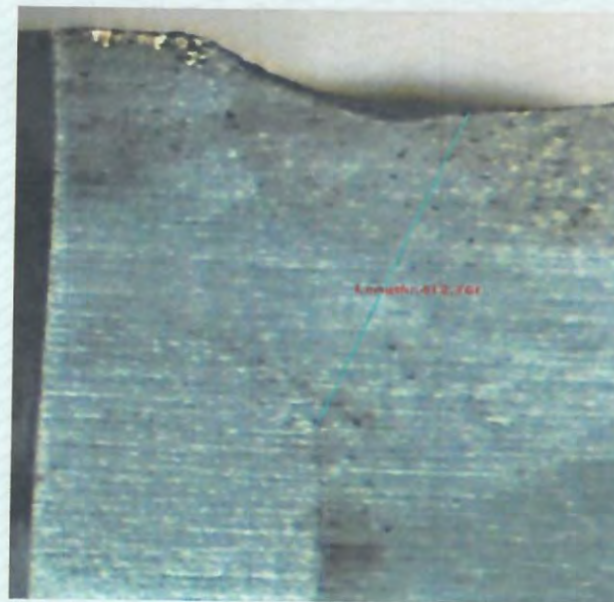
شرایط محیطی: دما: 25C رطوبت: ٪۴۱ نمونه گیری توسط مشتری انجام شده است شماره صفحه: ۳۵ از ۴۲

Analitica
ILAC FULL MEMBER
ISO/IEC 17025 (2017)
Analitica
Accreditation Certificate
No.AAC.A.00223

آزمایشگاه همکار
اداره استاندارد استان تهران
گواهینامه تأیید صلاحیت شماره T/3048
تأییدیه ها:
شرکت فولاد مبارکه
شرکت سارنگو
شرکت سازه گستر سایپا
شرکت نفت و گاز پارس

مدیر فنی آزمایشگاه های فلزی

ستار نصیری



شکل 33. تصویر ماکروسکوپی از مقطع عرضی آماده سازی شده. (مقطع 33)
محلول ظاهر کننده: نایتال ده درصد

Razi Applied Science Foundation • Razi Applied Science Foundation • Razi Applied Science Foundation • Razi Applied Science Foundation

- این بنیاد هیچ گونه مسئولیتی در مورد تطبیق نام نمونه با قطعه آزمون شده ندارد.
- کلیه گزارش ها توسط خط پایانی بسته شده است.
- تکثیر گزارش نتایج آزمون تنها با اجازه بنیاد و به صورت کامل امکان پذیر خواهد بود.
- نتایج فوق تنها برای نمونه های مورد آزمون قابل استناد است.
- گزارش های این بنیاد بدون حروف برجسته و هولوگرام فاقد اعتبار است.
- باقیمانده نمونه ها تنها به مدت یک ماه نگهداری خواهند شد.

تهران، کیلومتر ۲۱ جاده مخصوص کرج، ورودی شهر قدس، بلوار شهید قاسم اصغری خیابان فرنان، پلاک ۲۷ کد پستی: ۳۷۵۳۱۴۶۱۳۷ تلفکس: ۴۶۸۴۱۱۲۱ (۰۲۱) و ۴۹۷۳۲ (۰۲۱)

درخواست کننده: فرنیکان پارس آوین

آدرس شرکت: شیراز، منطقه ویژه اقتصادی، خیابان تجارت غربی، خیابان شیراز، صنعت ۶ پلاک ۱۷

نام نمونه: Ø 19.05, THK.2.11 Tubesheet: THK.50, GTAW (Machine), No PWHT, W-101 & W-105 FPA-PQR-104- SA-179 TO SA-516 Gr.70, Tube: Ø

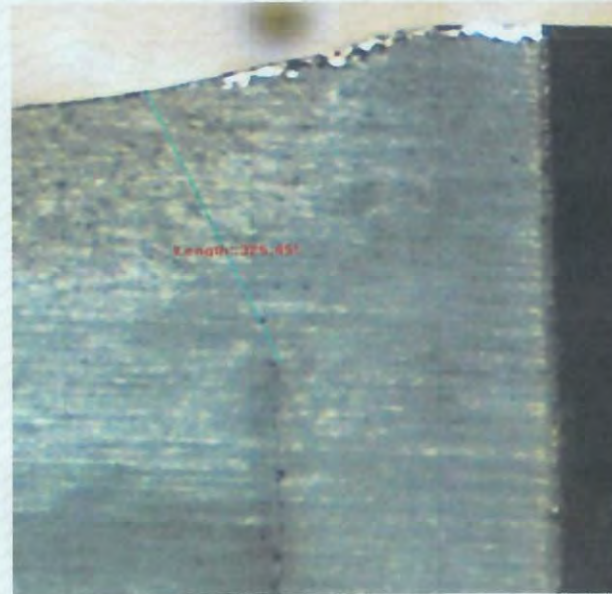
شرایط محیطی: دما: 25C رطوبت: ٪۴۱ نمونه گیری توسط مشتری انجام شده است شماره صفحه: ۳۶ از ۴۲

شماره پیگیری	۴۱۰۰۰-۱
تاریخ ارائه گزارش	۱۴۰۲/۱۲/۰۵
شماره ویرایش	۰
پیوست	
تاریخ دریافت نمونه	۱۴۰۲/۱۱/۲۲
تاریخ تایید انجام	۱۴۰۲/۱۲/۰۲
شماره نامه مشتری	۰۲۱۱۱۸-۰۱
تاریخ نامه مشتری	۱۴۰۲/۱۱/۱۸

Analitica
ILAC FULL MEMBER
ISO/IEC 17025 (2017)
Analitica
Accreditation Certificate
No.AAC.A.00223

آزمایشگاه همکار
اداره استاندارد استان تهران
گواهینامه تایید صلاحیت شماره T/3048
تائیدیه ها:
شرکت فولاد مبارکه
شرکت سایکو
شرکت سازه گستر سایبا
شرکت نفت و گاز پارس

مدیر فنی آزمایشگاه های فلزی



شکل 34. تصویر ماکروسکوپی از مقطع عرضی آماده سازی شده. (مقطع 34)
محلول ظاهر کننده: نایتال ده درصد

razi Applied Science Foundation • Razi Applied Science Foundation • Razi Applied Science Foundation • Razi Applied Science Foundation

- این بنیاد هیچ گونه مسئولیتی در مورد تطبیق نام نمونه با قطعه آزمون شده ندارد.
- تکثیر گزارش نتایج آزمون تنها با اجازه بنیاد و به صورت کامل امکان پذیر خواهد بود.
- کلیه گزارش ها توسط خط پایانی بسته شده است.
- نتایج فوق تنها برای نمونه های مورد آزمون قابل استناد است.
- گزارش های این بنیاد بدون حروف برجسته و هولوگرام فاقد اعتبار است.
- باقیمانده نمونه ها تنها به مدت یک ماه نگهداری خواهند شد.



تهران، کیلومتر ۲۱ جاده مخصوص کرج، ورودی شهر قدس، بلوار شهید قاسم اصغری خیابان فرنان، پلاک ۲۷ کد پستی: ۳۷۵۳۱۴۶۱۳۷ تلفکس: ۰۲۱) ۴۶۸۴۱۱۲۱ و ۰۲۱) ۴۹۷۳۳۲

درخواست کننده: فرنیکان پارس آوین

آدرس شرکت: شیراز، منطقه ویژه اقتصادی، خیابان تجارت غربی، خیابان شیراز، صنعت ۶ پلاک ۱۷

نام نمونه: 19.05, THK.2.11 Tubesheet: THK.50, GTAW (Machine), No PWHT, W-101 & W-105 FPA-PQR-104- SA-179 TO SA-516 Gr.70, Tube: Ø

شرایط محیطی

دما: 25C

رطوبت: %۴۱

نمونه گیری توسط مشتری انجام شده است

شماره صفحه: ۳۷

از ۴۲

شماره پیگیری	۴۱۰۰۰-۱
تاریخ ارائه گزارش	۱۴۰۲/۱۲/۰۵
شماره ویرایش	۰
پیوست	
تاریخ دریافت نمونه	۱۴۰۲/۱۱/۲۲
تاریخ تایید انجام	۱۴۰۲/۱۲/۰۲
شماره نامه مشتری	۰۲۱۱۱۸-۰۱
تاریخ نامه مشتری	۱۴۰۲/۱۱/۱۸

ANALITICA
ILAC FULL MEMBERISO/IEC 17025 (2017)
Analitica
Accreditation Certificate
No.AAC.A.00223

آزمایشگاه همکار
اداره استاندارد استان تهران
گواهینامه تایید صلاحیت شماره T/3048
تائیدیه ها:
شرکت فولاد مبارکه
شرکت سایکو
شرکت سازه گستر سایپا
شرکت نفت و گاز پارس

مدیر فنی آزمایشگاه های فلزی

سازمان تحقیقاتی

بنیاد علوم کاربردی رازی

مدیر علمی آزمایشگاه ها
واحد آزمایشگاه

شکل 35. تصویر ماکروسکوپی از مقطع عرضی آماده سازی شده. (مقطع 35)
محلول ظاهر کننده: نابتال ده درصد

Razi Applied Science Foundation • Razi Applied Science Foundation • Razi Applied Science Foundation • Razi Applied Science Foundation

- این بنیاد هیچ گونه مسئولیتی در مورد تطبیق نام نمونه با قطعه آزمون شده ندارد.
- تکثیر گزارش نتایج آزمون تنها با اجازه بنیاد و به صورت کامل امکان پذیر خواهد بود.
- کلیه گزارش ها توسط خط پایانی بسته شده است.
- نتایج فوق تنها برای نمونه های مورد آزمون قابل استناد است.
- گزارش های این بنیاد بدون حروف برجسته و هولوگرام فاقد اعتبار است.
- باقیمانده نمونه ها تنها به مدت یک ماه نگهداری خواهند شد.

شماره پیگیری	۴۱۰۰۰-۱
تاریخ ارائه گزارش	۱۴۰۲/۱۲/۰۵
شماره ویرایش	۰
پیوست	
تاریخ دریافت نمونه	۱۴۰۲/۱۱/۲۲
تاریخ تایید انجام	۱۴۰۲/۱۲/۰۲
شماره نامه مشتری	۰۲۱۱۱۸-۰۱
تاریخ نامه مشتری	۱۴۰۲/۱۱/۱۸

تهران، کیلومتر ۲۱ جاده مخصوص کرج، ورودی شهر قدس، بلوار شهید قاسم اصغری خیابان فرنان، پلاک ۲۷ کد پستی: ۳۷۵۳۱۴۶۱۳۷ تلفکس: ۴۶۸۴۱۱۲۱ (۰۲۱) و ۴۹۷۳۲ (۰۲۱)

درخواست کننده: فرنیکان پارس آوین

آدرس شرکت: شیراز، منطقه ویژه اقتصادی، خیابان تجارت غربی، خیابان شیراز، صنعت ۶ پلاک ۱۷

نام نمونه: 19.05, THK.2.11 Tubesheet: THK.50, GTAW (Machine), No PWHT, W-101 & W-105 FPA-PQR-104- SA-179 TO SA-516 Gr.70, Tube: Ø

شماره صفحه: ۳۸ از ۴۲

شرایط محیطی: دما: 25C رطوبت: ۴۱٪ نمونه گیری توسط مشتری انجام شده است

ANALITICA
ILAC FULL MEMBER
ISO/IEC 17025 (2017)
Analitica
Accreditation Certificate
No. AAC.A.00223

آزمایشگاه همکار
اداره استاندارد استان تهران
گواهینامه تایید صلاحیت شماره T/3048
تائیدیه ها:
شرکت فولاد مبارکه
شرکت ساپکو
شرکت سازه گستر سایپا
شرکت نفت و گاز پارس



شکل 36. تصویر ماکروسکوپی از مقطع عرضی آماده سازی شده. (مقطع 36)
محلول ظاهر کننده: نایتال ده درصد

Razi Applied Science Foundation • Razi Applied Science Foundation • Razi Applied Science Foundation • Razi Applied Science Foundation

- این بنیاد هیچ گونه مسئولیتی در مورد تطبیق نام نمونه با قطعه آزمون شده ندارد.
- کلیه گزارش ها توسط خط پایانی بسته شده است.
- تکثیر گزارش نتایج آزمون تنها با اجازه بنیاد و به صورت کامل امکان پذیر خواهد بود.
- نتایج فوق تنها برای نمونه های مورد آزمون قابل استناد است.
- گزارش های این بنیاد بدون حروف برجسته و هولوگرام فاقد اعتبار است.
- باقیمانده نمونه ها تنها به مدت یک ماه نگهداری خواهند شد.

مدیر فنی آزمایشگاه های فلزی

ستار نصیری

مدیر علمی آزمایشگاه ها

رضاخوش منش



تلفکس: ۴۶۸۴۱۱۲۱ (۰۲۱) و ۴۹۷۳۲ (۰۲۱)

کد پستی: ۳۷۵۳۱۴۶۱۳۷

تهران، کیلومتر ۲۱ جاده مخصوص کرج، ورودی شهر قدس، بلوار شهید قاسم اصغری خیابان فرنان، پلاک ۲۷

درخواست کننده: فرنیکان پارس آوین

آدرس شرکت: شیراز، منطقه ویژه اقتصادی، خیابان تجارت غربی، خیابان شیراز، صنعت ۶ پلاک ۱۷

نام نمونه: 19.05, THK.2.11 Tubesheet: THK.50, GTAW (Machine), No PWHT, W-101 & W-105 FPA-PQR-104- SA-179 TO SA-516 Gr.70, Tube: Ø

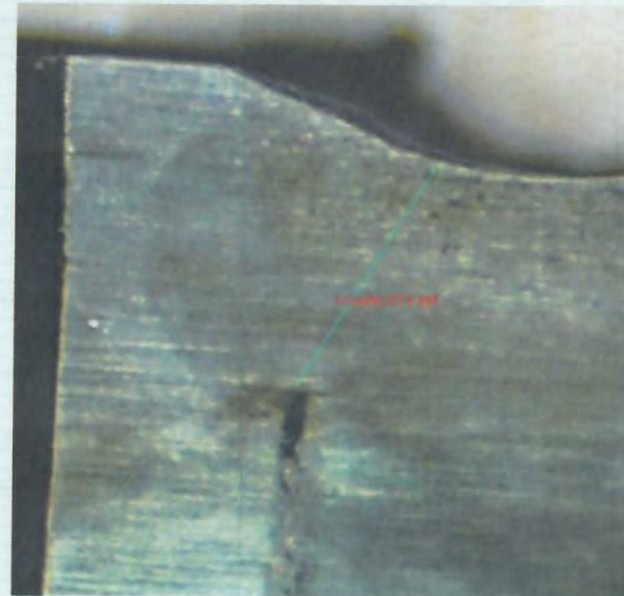
شماره صفحه: ۳۹ از ۴۲

شرایط محیطی: دما: 25C رطوبت: ۴۱٪ نمونه گیری توسط مشتری انجام شده است

شماره پیگیری	۴۱۰۰۰-۱
تاریخ ارائه گزارش	۱۴۰۲/۱۲/۰۵
شماره ویرایش	۰
پیوست	
تاریخ دریافت نمونه	۱۴۰۲/۱۱/۲۲
تاریخ تایید انجام	۱۴۰۲/۱۲/۰۲
شماره نامه مشتری	۰۲۱۱۸-۰۱
تاریخ نامه مشتری	۱۴۰۲/۱۱/۱۸

ANALITICA
ILAC FULL MEMBER
ISO/IEC 17025 (2017)
Analitica
Accreditation Certificate
No.AAC.A.00223

آزمایشگاه همکار
اداره استاندارد استان تهران
گواهینامه تایید صلاحیت شماره T/3048
تائیدیه ها:
شرکت فولاد مبارکه
شرکت ساپکو
شرکت سازه گستر سایپا
شرکت نفت و گاز پارس



شکل 37. تصویر ماکروسکوپی از مقطع عرضی آماده سازی شده. (مقطع 37)
محلول ظاهر کننده: نایتال ده درصد

Razi Applied Science Foundation • Razi Applied Science Foundation • Razi Applied Science Foundation • Razi Applied Science Foundation

- این بنیاد هیچ گونه مسئولیتی در مورد تطبیق نام نمونه با قطعه آزمون شده ندارد.
- تکثیر گزارش نتایج آزمون تنها با اجازه بنیاد و به صورت کامل امکان پذیر خواهد بود.
- کلیه گزارش ها توسط خط پایانی بسته شده است.
- نتایج فوق تنها برای نمونه های مورد آزمون قابل استناد است.
- گزارش های این بنیاد بدون حروف برجسته و هولوگرام فاقد اعتبار است.
- باقیمانده نمونه ها تنها به مدت یک ماه نگهداری خواهند شد.

مدیر فنی آزمایشگاه های فلزی



تهران، کیلومتر ۲۱ جاده مخصوص کرج، ورودی شهر قدس، بلوار شهید قاسم اصغری خیابان فرنان، پلاک ۲۷ کد پستی: ۳۷۵۳۱۴۶۱۳۷ تلفکس: ۴۶۸۴۱۱۲۱ (۰۲۱) و ۴۹۷۳۲ (۰۲۱)

درخواست کننده: فرنیکان پارس آوین

آدرس شرکت: شیراز، منطقه ویژه اقتصادی، خیابان تجارت غربی، خیابان شیراز، صنعت ۶ پلاک ۱۷

نام نمونه: 19.05, THK.2.11 Tubesheet: THK.50, GTAW (Machine), No PWHT, W-101 & W-105 FPA-PQR-104- SA-179 TO SA-516 Gr.70, Tube: Ø

شرایط محیطی دما: 25C رطوبت: ۴۱٪ نمونه گیری توسط مشتری انجام شده است

شماره صفحه: ۴۰ از ۴۲

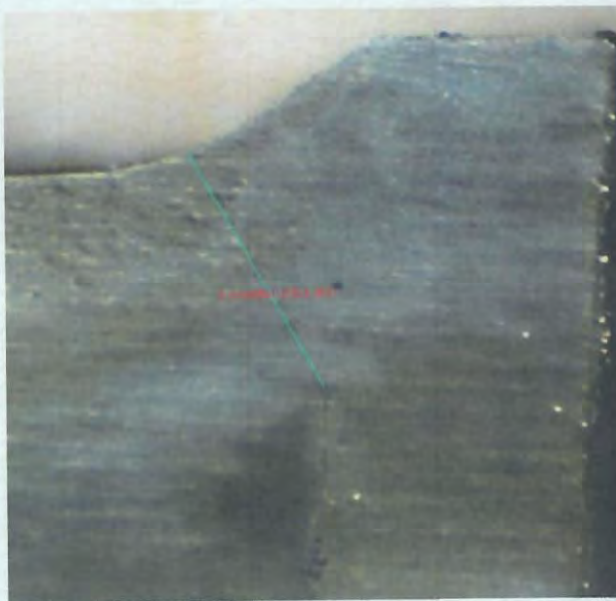
شماره پیگیری	۴۱۰۰۰-۱
تاریخ ارائه گزارش	۱۴۰۲/۱۲/۰۵
شماره ویرایش	۰
پیوست	
تاریخ دریافت نمونه	۱۴۰۲/۱۱/۲۲
تاریخ تایید انجام	۱۴۰۲/۱۲/۰۲
شماره نامه مشتری	۰۲۱۱۱۸-۰۱
تاریخ نامه مشتری	۱۴۰۲/۱۱/۱۸

ANALITICA
ILAC FULL MEMBERISO/IEC 17025 (2017)
Analitica
Accreditation Certificate
No.AAC.A.00223

آزمایشگاه همکار
اداره استاندارد استان تهران
گواهینامه تایید صلاحیت شماره T/3048
تائیدیه ها:
شرکت فولاد مبارکه
شرکت سایکو
شرکت سازه گستر سایپا
شرکت نفت و گاز پارس

مدیر فنی آزمایشگاه های فلزی

ستاره نصیری

مدیر علمی آزمایشگاه ها
رضا خورشید منش
واحد آزمایشگاه

شکل 38. تصویر ماکروسکوپی از مقطع عرضی آماده سازی شده. (مقطع 38)
محلول ظاهر کننده: نایتال ده درصد

Razi Applied Science Foundation • Razi Applied Science Foundation • Razi Applied Science Foundation • Razi Applied Science Foundation

- این بنیاد هیچ گونه مسئولیتی در مورد تطبیق نام نمونه با قطعه آزمون شده ندارد.
- کلیه گزارش ها توسط خط پایانی بسته شده است.
- تکثیر گزارش نتایج آزمون تنها با اجازه بنیاد و به صورت کامل امکان پذیر خواهد بود.
- نتایج فوق تنها برای نمونه های مورد آزمون قابل استناد است.
- گزارش های این بنیاد بدون حروف برجسته و هولوگرام فاقد اعتبار است.
- باقیمانده نمونه ها تنها به مدت یک ماه نگهداری خواهند شد.

تلفکس: ۴۶۸۴۱۱۲۱ (۰۲۱) و ۴۹۷۳۲ (۰۲۱)

کد پستی: ۳۷۵۳۱۴۶۱۳۷

تهران، کیلومتر ۲۱ جاده مخصوص کرج، ورودی شهر قدس، بلوار شهید قاسم اصغری خیابان فرنان، پلاک ۲۷

درخواست کننده: فرنیکان پارس آوین

آدرس شرکت: شیراز، منطقه ویژه اقتصادی، خیابان تجارت غربی، خیابان شیراز، صنعت ۶ پلاک ۱۷

نام نمونه: 19.05, THK.2.11 Tubesheet: THK.50, GTAW (Machine), No PWHT, W-101 & W-105 FPA-PQR-104- SA-179 TO SA-516 Gr.70, Tube: Ø

شماره پیگیری	۴۱۰۰۰-۱
تاریخ ارائه گزارش	۱۴۰۲/۱۲/۰۵
شماره ویرایش	۰
پیوست	
تاریخ دریافت نمونه	۱۴۰۲/۱۱/۲۲
تاریخ تایید انجام	۱۴۰۲/۱۲/۰۲
شماره نامه مشتری	۰۲۱۱۱۸-۰۱
تاریخ نامه مشتری	۱۴۰۲/۱۱/۱۸

شماره صفحه: ۴۱ از ۴۲

شرایط محیطی: دما: 25C رطوبت: ۴۱٪ نمونه گیری توسط مشتری انجام شده است



ISO/IEC 17025 (2017)
Analitica
Accreditation Certificate
No.AAC.A.00223

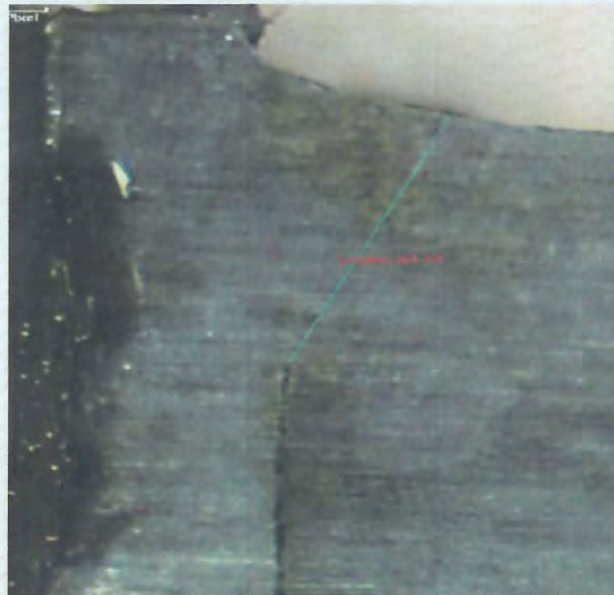
آزمایشگاه همکار
اداره استاندارد استان تهران
گواهینامه تایید صلاحیت شماره T/3048
تائیدیه ها:
شرکت فولاد مبارکه
شرکت سایکو
شرکت سازه گستر سایپا
شرکت نفت و گاز پارس

مدیر فنی آزمایشگاه های فلزی

ستار نصیری



مدیر علمی آزمایشگاه ها
رضایتش منش
واحد آزمایشگاه



شکل 39. تصویر ماکروسکوپی از مقطع عرضی آماده سازی شده. (مقطع 39)
محلول ظاهر کننده: نایتال ده درصد

Razi Applied Science Foundation Razi Applied Science Foundation Razi Applied Science Foundation Razi Applied Science Foundation

- این بنیاد هیچ گونه مسئولیتی در مورد تطبیق نام نمونه با قطعه آزمون شده ندارد.
- کلیه گزارش ها توسط خط پایانی بسته شده است.
- تکثیر گزارش نتایج آزمون تنها با اجازه بنیاد و به صورت کامل امکان پذیر خواهد بود.
- نتایج فوق تنها برای نمونه های مورد آزمون قابل استناد است.
- باقیمانده نمونه ها تنها به مدت یک ماه نگهداری خواهند شد.

تلفکس: ۴۶۸۴۱۱۲۱ (۰۲۱) و ۴۹۷۳۲۲ (۰۲۱)

کد پستی: ۳۷۵۳۱۴۶۱۳۷

تهران، کیلومتر ۲۱ جاده مخصوص کرج، ورودی شهر قدس، بلوار شهید قاسم اصغری خیابان فرنان، پلاک ۲۷

درخواست کننده: فرنیکان پارس آوین

آدرس شرکت: شیراز، منطقه ویژه اقتصادی، خیابان تجارت غربی، خیابان شیراز، صنعت ۶ پلاک ۱۷

نام نمونه: 19.05, THK.2.11 Tubesheet: THK.50, GTAW (Machine), No PWHT, W-101 & W-105 FPA-PQR-104- SA-179 TO SA-516 Gr.70, Tube: Ø

شماره پیگیری	۴۱۰۰۰-۱
تاریخ ارائه گزارش	۱۴۰۲/۱۲/۰۵
شماره ویرایش	۰
پیوست	
تاریخ دریافت نمونه	۱۴۰۲/۱۱/۲۲
تاریخ تأیید انجام	۱۴۰۲/۱۲/۰۲
شماره نامه مشتری	۰۲۱۱۱۸-۰۱
تاریخ نامه مشتری	۱۴۰۲/۱۱/۱۸

شماره صفحه: ۴۲ از ۴۲

شرایط محیطی: دما: 25C رطوبت: ۴۱٪ نمونه گیری توسط مشتری انجام شده است

Analitica
ILAC FULL MEMBER

ISO/IEC 17025 (2017)
Analitica
Accreditation Certificate
No.AAC.A.00223

آزمایشگاه همکار
اداره استاندارد استان تهران
کواهینامه تأیید صلاحیت شماره T/3048
تأییدیه ها:
شرکت فولاد مبارکه
شرکت سایکو
شرکت سازه گستر سایپا
شرکت نفت و گاز پارس

مدیر فنی آزمایشگاه های فلزی
ستار نصیری



شکل 40. تصویر ماکروسکوپی از مقطع عرضی آماده سازی شده. (مقطع 40)
محلول ظاهر کننده: نایتال ده درصد

Razi Applied Science Foundation • Razi Applied Science Foundation • Razi Applied Science Foundation • Razi Applied Science Foundation

- این بنیاد هیچ گونه مسئولیتی در مورد تطبیق نام نمونه با قطعه آزمون شده ندارد.
- تکثیر گزارش نتایج آزمون تنها با اجازه بنیاد و به صورت کامل امکان پذیر خواهد بود.
- گزارش های این بنیاد بدون حروف برجسته و هولوگرام فاقد اعتبار است.
- نتایج فوق تنها برای نمونه های مورد آزمون قابل استناد است.
- باقیمانده نمونه ها تنها به مدت یک ماه نگهداری خواهند شد.

OWNER



Toase-eh Park Sanati Gohar Ofogh Petrochemical Co.

CONCEPTUAL, BASIC and DETAIL DESIGN
ENGINEERING OF STYRENE PARK OFFSITE



Document Title:
WPS & PQR for Pressure Part and Structure Part for All
items

REV. : R1

Page : 80 of 113





Project Document Number:

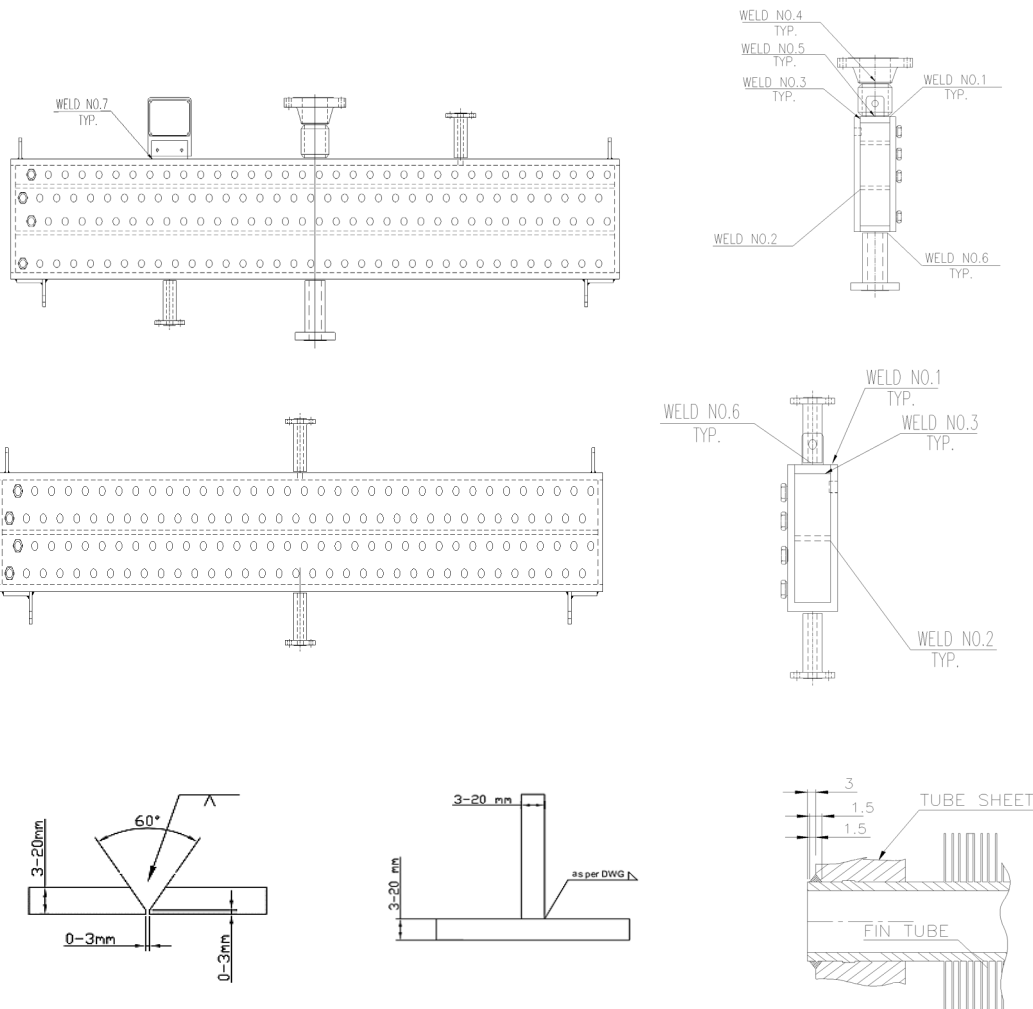
EI027-HSE-VD – QC– PRO– 005- R1

DATE: 29.May.2024

LIST OF APPLICABLE WPS's

Weld No.	WPS NO :	PQR	ITEM NO.	WELD DISCRPTION	Designation	Material	Thk.(mm)	DESCRIPTION
1	DS11-W010/01	P052	EI027-DMF-VD-ME-DWG-005	TOP & BOTTOM PLATE TO TUBE SHEET/PLUG SHEET	SINGLE-U-GROOVE WELD-CORNER JOINT	ASME SA516 Gr.70N to ASME SA516 Gr.70N	20 TO 20	PLUG TYPE
2	DS11-W010/02	P052	EI027-DMF-VD-ME-DWG-005	PARTITION OR STIFFENER TO TUBE SHEET & PLUG SHEET	DOUBLE BEVEL GROOVE WELD - T-JOINT	ASME SA516 Gr.70N to ASME SA516 Gr.70N	12 TO 20	PLUG TYPE
3	DS11-W011/01	P052	EI027-DMF-VD-ME-DWG-005	<u>END PLATE TO TUBE & PLUG SHEET AND TOP & BOTTOM PLATE</u>	SINGLE-U-GROOVE WELD CORNER JOINT	ASME SA516 Gr.70 N TO ASME SA516 Gr.70N	20 TO 20	PLUG TYPE
4	DS11-W012/01	P052	EI027-DMF-VD-ME-DWG-005	OBROUND/ PIPE NOZZLE TO FLANGE	SINGLE-V-GROOVE WELD BUTT JOINT	ASME SA333 Gr.6 TO ASME SA 350 LF2 CL.IN	13.49 TO 13.49	PLUG TYPE
5	<u>DS11-W012/02</u>	P052	EI027-DMF-VD-ME-DWG-005	OBROUND / PIPE NOZZLE TO TOP PLATE	SINGLE BEVEL GROOVE WELD-T-JOINT	ASME SA333 Gr.6 TO ASME SA516 Gr.70	13.49 TO 20	PLUG TYPE
6	<u>DS11-W012/03</u>	P052	EI027-DMF-VD-ME-DWG-005	LWN FLANGE TO TOP & BOTTOM PLATE		ASME SA 350 LF2 CL.IN TO ASME SA516 Gr.70	14.3 & 16.6 TO 20	PLUG TYPE
7	DS11-W014/01	P052	EI027-DMF-VD-ME-DWG-005	NAME PLATE BRACKET AND OTHER ACCESSORIES TO HEADER	FILLETWELD - T- JOINT	ASME SA283 Type 2 (st37) TO ASME SA516 Gr.70	5 TO 20	PLUG TYPE
8	DS11-W025/01	P042	EI027-DMF-VD-ME-DWG-005	TUBE SHEET TO TUBE	FILLETWELD - T- JOINT	ASME SA334 GR.6 TO ASME SA516 Gr.70	1.65 TO 20	PLUG TYPE
01	WT-108	Prequalified	EI027-DMF-VD-ST-DWG-013	STRUCTURE - ALL GROOVE JOINT	Butt Weld	S235JR (SA283-B) TO S235JR (SA283-B)	3-25	All Type
02	WT-111			STRUCTURE- ALL FILLET WELD	Fillet Weld			

<p>OWNER</p>   <p>پتروشیمی توسعه پارک صنعتی گوه‌ر افغان</p>	<p>Toase-eh Park Sanati Gohar Ofogh Petrochemical Co.</p> <p>CONCEPTUAL, BASIC and DETAIL DESIGN ENGINEERING OF STYRENE PARK OFFSITE</p> <p>Document Title:WPS & PQR for Pressure Part and Structure Part for All items</p>	  <p>Page: 81 of 113</p>
<p>Project Document Number:</p>	<p>EI027-HSE-VD – QC– PRO– 005- R1</p>	<p>REV. : R1</p> <p>DATE: 29.May.2024</p>



OWNER



Toase-eh Park Sanati Gohar Ofogh Petrochemical Co.

CONCEPTUAL, BASIC and DETAIL DESIGN ENGINEERING OF STYRENE PARK OFFSITE

Document Title: WPS & PQR for Pressure Part and Structure Part for All items



Page : 82 of 113

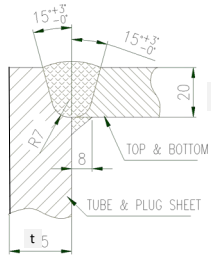
REV. : R1

DATE: 29.May.2024

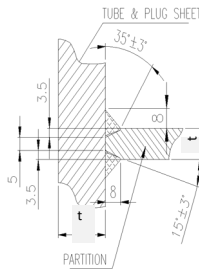
Project Document Number:

EI027-HSE-VD - QC- PRO- 005- R1

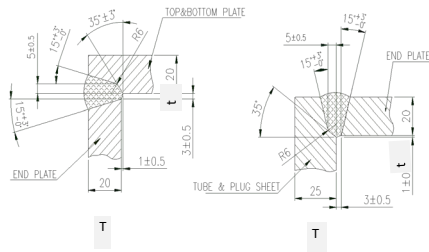
1
TOP & BOTTOM PLATE TO TUBE SHEET & PLUG SHEET



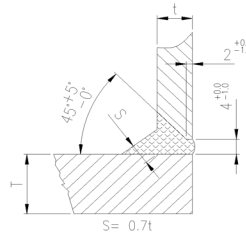
2
PARTITION OR STIFFENER TO TUBE SHEET & PLUG SHEET



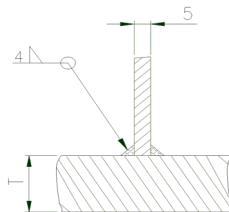
3
END PLATE TO TUBE SHEET AND PLUG SHEET & TOP AND BOTTOM PLATE



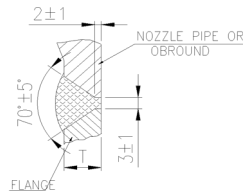
5 & 6
FLANGE (LWN) & OBROUND NOZZLE TO TOP & BOTTOM PLATE



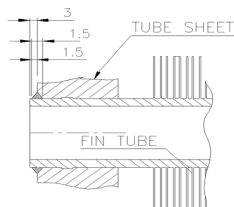
7
NAME PLATE BRACKET AND OTHER ACCESSORIES TO HEADER BOXES



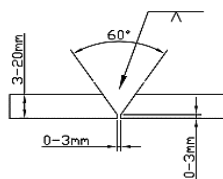
4
FLANGE TO PIPE NOZZLE OR OBROUND NOZZLE



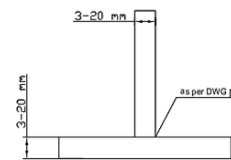
8
Tube To Tube Sheet



1-WT-108
STRUCTURE - ALL GROOVE JOINT

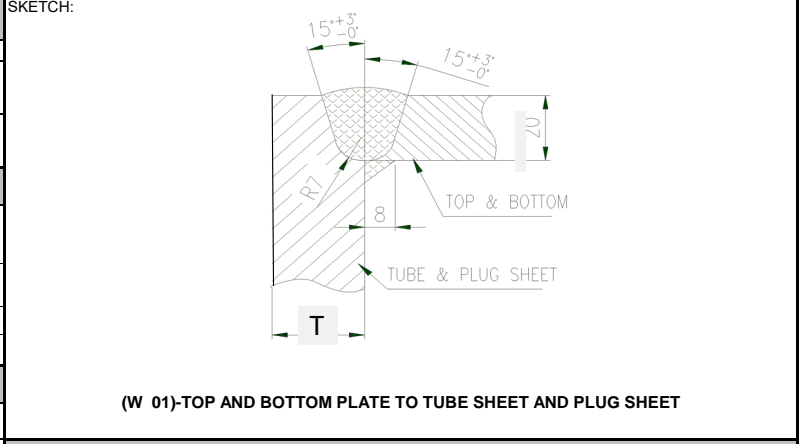


2-WT-111
STRUCTURE- ALL FILLET WELD



WELDING PROCEDURE SPECIFICATION (WPS) ASME SEC.IX(2010)	WPS No.: DS11-W010/01 PQR No.: DS11-P052
--------------------------------------------------------------------------	---------------------------------------------

JOINTS (QW-402)		
DESIGNATION SINGLE-U-GROOVE WELD CORNER JOINT		
BACKING	YES(FOR OUTER JOINT) <input checked="" type="checkbox"/>	DEPOSITED WELD METAL
	NO (FOR INNER JOINT) <input type="checkbox"/>	



BASE METAL (QW-403)	
P. No.	P No.1 TO P No.1
Gr. No.	Gr. No.2 TO Gr. No.2
MATERIAL:	ASME SA516 Gr. 70 TO ASME SA516 Gr.70
THICKNESS RANGE:	20 TO 20mm
PIPE DIAMETER:	N.A

FILLER METAL (QW-404)			
PROCESS	GTAW	SAW	SMAW
SPEC.SFA:		5.17	
AWS CLASS	WIRE	F8A8-EH12K	
	POWDER	F8A8	
F-No.:		6	
A-No.:		1	
Size Of Filler Metal(mm)		2.4 & 4	
QUALIFIED DEPOSITED THK.(mm)		FOR OUTER JOINT: UP TO 20	
		FOR INNER JOINT: 0.7 T	
TRADE NAME:	WIRE	50-57	
	POWDER	OP121TT	
FLUX TYPE		NEUTRAL	
SUPPLIER:		AMA	
BAKING:		2 HOURS AT 300-350°C	





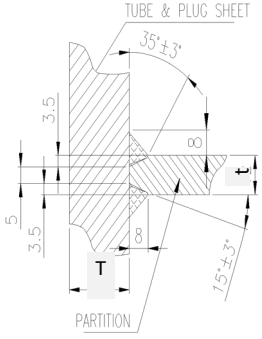
TECHNIQUE (QW-410)	
STRING(S) OR WAVE(W) BEAD:	S
INITIAL CLEANING:	BRUSHING
INT.PASS CLEANING:	BRUSHING & GRINDING
CONTACT TUBE TO WORK DISTANCE:	25 mm
METHOD OF BACK GOUGING:	MACHINING AND GRINDING
MULTI OR SINGLE PASS:	MULTI
MULTY OR SINGLE ELECTRODE:	SINGLE
PEENING:	NO

GAS (QW-408)	
SHIELDING GAS :
% COMPOSITION:
FLOW RATE:
ORIFICE OR CUP SIZE:
TRAILING:
BACKING GAS:

POSITION (QW-405)	
POSITION:	1G (OUTER JOINT) 2F (INNER JOINT)
WELDING PROGRESSION:	UP NA DOWN NA

PREHEAT (QW-406)	
PREHEAT TEMP. MIN.:	Thickness ≤ 25 mm = 10 C° - Thickness ≥ 25 mm = 79C °
INTERPASS TEMP. MAX.:	250° C
POST HEAT TEMP. MIN.:	NOT REQUIRED
POST WELD HEAT TREATMENT (QW-407)	
TEMPERATURE RANGE:	610±10 C °
TIME RANGE:	ACCORDING TO ASME SEC.VIII UCS 56.1
Note:	

TABLE OF PASS IDENTIFICATION AND ELECTERICAL CHARACTERISTICS									
WELD PASSES	PEROCESS	FILLER METAL		CURRENT			TRAVEL SPEED (mm /Min)	TUNGSTEN ELECT.SIZE & TYPE	MAX HEAT INPUT (KJ/mm)
		CLASS	DIAMETER (mm)	TYPE POLA	AMPER (A)	VOLT (V)			
1-N(IN)	SAW (Automatic)	F8A8-EH12K	2.4	DC(+)	350-450	25-27	350-370	-	2.08
1(OUT)	SAW (Automatic)	F8A8-EH12K	3.2	DC(+)	425-520	27-29	370-390	-	2.45
2-N(OUT)	SAW (Automatic)	F8A8-EH12K	4	DC(+)	475-575	30-35	400-450	-	3.02

 		Toase-eh Park Sanati Gohar Ofogh Petrochemical Co. CONCEPTUAL, BASIC and DETAIL DESIGN ENGINEERING OF STYRENE PARK OFFSITE			 				
Document Title: WPS & PQR for Pressure Part and Structure Part for All items		Doc. Class: A		EI027-HSE-VD – QC– PRO– 005- R1		REV. : R1	Page : 84 of 113		
WELDING PROCEDURE SPECIFICATION (WPS) ASME SEC.IX(2010)				WPS No.: DS11-W010/02		PQR No.: DS11-P052			
JOINTS (QW-402)				SKETCH: 					
DESIGNATION		DOUBLE BEVEL GROOVE WELD -T- JOINT							
BACKING		YES <input checked="" type="checkbox"/>	Base Mwtal						
		NO <input type="checkbox"/>							
BASE METAL (QW-403)									
P. No.		P No.1 TO P No.1							
Gr. No.		Gr. No.2 TO Gr. No.2							
MATERIAL:		ASME SA516 Gr. 70 TO ASME SA516 Gr.70							
THICKNESS RANGE:		12 TO 20mm							
PIPE DIAMETER:		N.A							
FILLER METAL (QW-404)									
PROCESS		GTAW	SAW	SMAW					
SPEC.SFA:				5.17					
AWS CLASS		WIRE		EH12K					
		POWDER		F8A8					
F-No.:				6					
A-No.:				1					
Size Of Filler Metal(mm)				2.4					
DEPOSITED THK.(mm)				20					
TRADE NAME:		WIRE		50-57					
		POWDER		OP121TT					
FLUX TYPE				NEUTRAL					
SUPPLIER:				AMA					
BAKING (FOR POWDER):				2 HOURS AT 300-350°C					
TECHNIQUE (QW-410)				STRING(S) OR WAVE(W) BEAD:					
				S					
INITIAL CLEANING:				BRUSHING					
INT.PASS CLEANING:				BRUSHING & GRINDING					
CONTACT TUBE TO WORK DISTANCE:				25 mm					
METHOD OF BACK GOUGING:				NONE					
MULTI OR SINGLE PASS:				MULTI					
MULTY OR SINGLE ELECTRODE:				SINGLE					
PEENING:				NO					
POSITION (QW-405)									
POSITION:				2 F					
WELDING PROGRESSION:				UP NA DOWN NA					
PREHEAT (QW-406)									
PREHEAT TEMP. MIN.:				Thickness ≤ 25 mm = 10 C° - Thickness ≥ 25 mm = 79C °					
INTERPASS TEMP. MAX.:				250 C°					
POST HEAT TEMP. MIN.:				NOT REQUIRED					
POST WELD HEAT TREATMENT (QW-407)									
TEMPERATURE RANGE:				610±10 C°					
TIME RANGE:				ACCORDING TO ASME SEC.VIII UCS 56.1					
Note:									
TABLE OF PASS IDENTIFICATION AND ELECTRICAL CHARACTERISTICS									
WELD PASSES	PEROCESS	FILLER METAL		CURRENT			TRAVEL SPEED (mm /Min)	TUNGSTEN ELECT.SIZE & TYPE	MAX HEAT INPUT (KJ/mm)
		CLASS	DIAMETER (mm)	TYPE	AMPE R (A)	VOLT (V)			
1-N(IN)	SAW (Automatic)	F8A8-EH12K	2.4	DC(+)	350-450	25-27	350-370	-	2.08
1-N(OUT)	SAW (Automatic)	F8A8-EH12K	2.4	DC(+)	350-450	25-27	350-370	-	2.08



Toase-che Park Sanati Gohar Ofogh Petrochemical Co.
CONCEPTUAL, BASIC and DETAIL DESIGN
ENGINEERING OF STYRENE PARK OFFSITE



Document Title: WPS & PQR for Pressure Part and
Structure Part for All items

Doc. Class: A

EI027-HSE-VD – QC– PRO– 005- R1

REV. : R1

Page :85 of 113

**WELDING PROCEDURE SPECIFICATION (WPS)
ASME SEC.IX(2010)**

WPS No.:

DS11-W011/01

PQR No.:

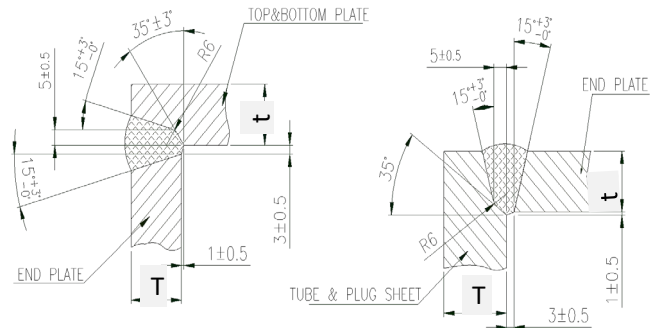
DS11-P052

JOINTS (QW-402)

SKETCH:

DESIGNATION SINGLE-U-GROOVE WELD CORNER JOINT

BACKING	YES	<input type="checkbox"/>
	NO	<input checked="" type="checkbox"/>



(W 03) END PLATE TO TUBE SHEET AND TOP & BOTTOM PLATE

BASE METAL (QW-403)

P. No.	P No.1 TO P No.1
Gr. No.	Gr. No.2 TO Gr. No.2
MATERIAL:	ASME SA516 Gr. 70 TO ASME SA516 Gr.70
THICKNESS RANGE:	20 TO 20 mm
PIPE DIAMETER:	N.A

FILLER METAL (QW-404)

PROCESS	GTAW	SAW	SMAW
SPEC.SFA:	5.18		5.1
AWS CLASS	ER70S-6		E7018-1
WIRE	ER70S-6		E7018-1
POWDER
F-No.:	6		4
A-No.:	1		1
Size Of Filler Metal(mm)	2.4		3.25-4
QUALIFIED DEPOSITED THK.(mm)	UP TO 8		UP TO 30
TRADE NAME:	40-16T		1177F
Filler Metal Product Form	SOLID		...
SUPPLIER:	AMA		AMA
BAKING:		2 HOURS AT 300-350°C

TECHNIQUE (QW-410)

STRING(S) OR WAVE(W) BEAD:	S&W
INITIAL CLEANING:	BRUSHING
INT.PASS CLEANING:	BRUSHING & GRINDING
CONTACT TUBE TO WORK DISTANCE:	-
METHOD OF BACK GOUGING:	NONE
MULTI OR SINGLE PASS:	MULTI
MULTY OR SINGLE ELECTRODE:	SINGLE
PEENING:	NO

POSITION (QW-405)

POSITION:	1 G
WELDING PROGRESSION:	UP NA DOWN NA

PREHEAT (QW-406)

PREHEAT TEMP. MIN.:	Thickness ≤ 25 mm = 10 C° - Thickness ≥ 25 mm = 79C °
INTERPASS TEMP. MAX.:	250 C°
POST HEAT TEMP. MIN.:	NOT REQUIRED

POST WELD HEAT TREATMENT (QW-407)

TEMPERATURE RANGE:	610±10 C °
TIME RANGE:	ACCORDING TO ASME SEC.VIII UCS 56.1

Note:

TABLE OF PASS IDENTIFICATION AND ELECTERICAL CHARACTERISTICS

WELD PASSES	PEROCCESS	FILLER METAL		CURRENT			TRAVEL SPEED (mm /Min)	TUNGSTEN ELECT.SIZE & TYPE	MAX HEAT INPUT (KJ/mm)
		CLASS	DIAMETER (mm)	TYPE POLA.	AMPER (A)	VOLT (V)			
1	GTAW (MANUAL)	ER70S-6	2.4	DC(-)	140-190	12-18	120~150	2.4 mm 2% THORIATED	1.03
2	SMAW (MANUAL)	E7018-1	3.25	DC(+)	90-130	23-25	140~180	-	1.11
3-N	SMAW (MANUAL)	E7018-1	4	DC(+)	140-185	25-27	140~200	-	1.71



Toase-eh Park Sanati Gohar Ofogh Petrochemical Co.
**CONCEPTUAL, BASIC and DETAIL DESIGN
 ENGINEERING OF STYRENE PARK OFFSITE**



Document Title: WPS & PQR for Pressure Part and Structure Part for All items

Doc. Class: A

EI027-HSE-VD – QC– PRO– 005- R1

REV. : R1

Page : 86 of 113

**WELDING PROCEDURE SPECIFICATION (WPS)
 ASME SEC.IX(2010)**

WPS No.: DS11-W012/01

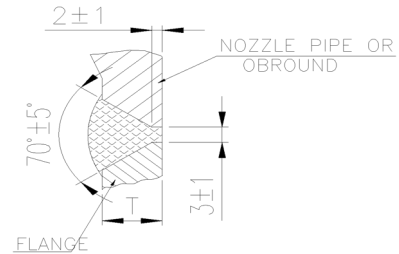
PQR No.: DS11-P052

JOINTS (QW-402)

DESIGNATION DOUBLE BEVEL GROOVE WELD

BACKING	YES	<input type="checkbox"/>
	NO	<input checked="" type="checkbox"/>

SKETCH:



BASE METAL (QW-403)

P. No.	P No.1 TO P No.1
Gr. No.	Gr. No.1 TO Gr. No.2
MATERIAL:	ASME SA333 Gr.6 TO ASME SA 350 LF2 CL.1N
THICKNESS RANGE:	13.49 TO 13.49 mm
PIPE DIAMETER:	N.A

FILLER METAL (QW-404)

PROCESS	GTAW	SAW	SMAW
SPEC.SFA:	5.18		5.1
AWS CLASS	ER70S-6		E7018-1
WIRE			
POWDER
F-No.:	6		4
A-No.:	1		1
Size Of Filler Metal(mm)	2.4		3.25-4
QUALIFIED DEPOSITED THK.(mm)	UP TO 8		UP TO 25
TRADE NAME:	40-16T		1177F
Filler Metal Product Form	SOLID		...
SUPPLIER:	AMA		AMA
BAKING:		2 HOURS AT 300-350°C

(W 04) FLANGE TO PIPE NOZZLE OR OBROUND NOZZLE

TECHNIQUE (QW-410)

STRING(S) OR WAVE(W) BEAD:	S&W
INITIAL CLEANING:	BRUSHING
INT.PASS CLEANING:	BRUSHING & GRINDING
CONTACT TUBE TO WORK DISTANCE:	-
METHOD OF BACK GOUGING:	NONE
MULTI OR SINGLE PASS:	MULTI
MULTY OR SINGLE ELECTRODE:	SINGLE
PEENING:	NO

POSITION (QW-405)

POSITION:	HORIZONTAL
WELDING PROGRESSION:	UP NA DOWN NA

PREHEAT (QW-406)

PREHEAT TEMP. MIN.:	Thickness ≤ 25 mm = 10 C° - Thickness ≥ 25 mm = 79C °
INTERPASS TEMP. MAX.:	250 C°
POST HEAT TEMP. MIN.:	NOT REQUIRED

GAS (QW-408)

SHIELDING GAS :	ARGON
% COMPOSITION:	99.99
FLOW RATE:	7-12 Lit/Min
ORIFICE OR CUP SIZE:	5-8 mm
TRAILING:
BACKING GAS:

POST WELD HEAT TREATMENT (QW-407)

TEMPERATURE RANGE:	610±10 C °
TIME RANGE:	ACCORDING TO ASME SEC.VIII UCS 56.1

Note:

TABLE OF PASS IDENTIFICATION AND ELECTRICAL CHARACTERISTICS

WELD PASSES	PEROCCESS	FILLER METAL		CURRENT			TRAVEL SPEED (mm /Min)	TUNGSTEN ELECT.SIZE & TYPE	MAX HEAT INPUT (KJ/mm)
		CLASS	DIAMETER (mm)	TYPE POLA.	AMPER (A)	VOLT (V)			
1(ROOT)	GTAW (MANUAL)	ER70S-6	2.4	DC(-)	140-190	12-18	120~150	2.4 mm 2% THORIATED	1.03
2	SMAW (MANUAL)	E7018-1	3.25	DC(+)	90-130	23-25	140~180	-	1.11
3-N	SMAW (MANUAL)	E7018-1	4	DC(+)	140-185	25-27	140~200	-	1.71



Toase-eh Park Sanati Gohar Ofogh Petrochemical Co.
CONCEPTUAL, BASIC and DETAIL DESIGN
ENGINEERING OF STYRENE PARK OFFSITE

Document Title: WPS & PQR for Pressure Part and Structure Part
for All items



Doc. Class: A

EI027-HSE-VD – QC– PRO– 005- R1

REV. : R1

Page : 87 of 113

**WELDING PROCEDURE SPECIFICATION (WPS)
ASME SEC.IX(2010)**

WPS No.:

DS11-W012/02

PQR No.:

DS11-P052

JOINTS (QW-402)

DESIGNATION SINGLE BEVEL GROOVE WELD-T-JOINT

BACKING	YES	<input type="checkbox"/>
	NO	<input checked="" type="checkbox"/>

BASE METAL (QW-403)

P. No. P No.1 TO P No.1

Gr. No. Gr. No.1 TO Gr. No.2

MATERIAL: ASME SA333 Gr.6 TO ASME SA516 Gr70

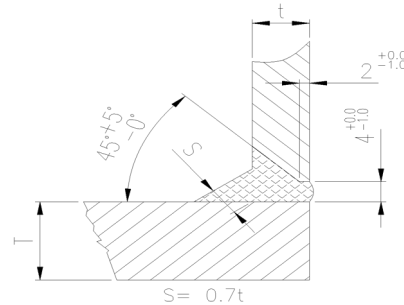
THICKNESS RANGE: 13.49 TO 20 mm

PIPE DIAMETER: N.A

FILLER METAL (QW-404)

PROCESS	GTAW	SAW	SMAW
SPEC.SFA:	5.18		5.1
AWS CLASS	WIRE	ER70S-6	E7018-1
	POWDER
F-No.:	6		4
A-No.:	1		1
Size Of Filler Metal(mm)	2.4		3.25-4
QUALIFIED DEPOSITED THK.(mm)	UP TO 8		UP TO 25
TRADE NAME:	40-16T		1177F
Filler Metal Product Form	SOLID		...
SUPPLIER:	AMA		AMA
BAKING:		2 HOURS AT 300-350°C

SKETCH:



(W 05) PIPE NOZZLE TO TOP AND BOTTOM PLATE

TECHNIQUE (QW-410)

STRING(S) OR WAVE(W) BEAD:	S&W
INITIAL CLEANING:	BRUSHING
INT.PASS CLEANING:	BRUSHING & GRINDING
CONTACT TUBE TO WORK DISTANCE:	-
METHOD OF BACK GOUGING:	NONE
MULTI OR SINGLE PASS:	MULTI
MULTY OR SINGLE ELECTRODE:	SINGLE
PEENING:	NO

POSITION (QW-405)

POSITION:	HORIZONTAL
WELDING PROGRESSION:	UP NA DOWN NA

PREHEAT (QW-406)

PREHEAT TEMP. MIN.:	Thickness ≤ 25 mm =10 C° - Thickness ≥ 25 mm = 75
INTERPASS TEMP. MAX.:	250 C°
POST HEAT TEMP. MIN.:	NOT REQUIRED

POST WELD HEAT TREATMENT (QW-407)

TEMPERATURE RANGE:	610±10 C°
TIME RANGE:	ACCORDING TO ASME SEC.VIII UCS 56.1

Note:

TABLE OF PASS IDENTIFICATION AND ELECTERICAL CHARACTERISTICS

WELD PASSES	PEROCESS	FILLER METAL		CURRENT			TRAVEL SPEED (mm /Min)	TUNGSTEN ELECT.SIZE & TYPE	MAX HEAT INPUT (KJ/mm)
		CLASS	DIAMETER (mm)	TYPE POLA.	AMPER (A)	VOLT (V)			
1(ROOT)	GTAW (MANUAL)	ER70S-6	2.4	DC(-)	140-190	12-18	120~150	2.4 mm 2% THORIATED	1.03
2	SMAW (MANUAL)	E7018-1	3.25	DC(+)	90-130	23-25	140~180	-	1.11
3-N	SMAW (MANUAL)	E7018-1	4	DC(+)	140-185	25-27	140~200	-	1.71



Toase-eh Park Sanati Gohar Ofogh Petrochemical Co.
 CONCEPTUAL, BASIC and DETAIL DESIGN
 ENGINEERING OF STYRENE PARK OFFSITE

Document Title: WPS & PQR for Pressure Part and
 Structure Part for All items



Doc. Class: A

EI027-HSE-VD – QC– PRO– 005- R1

REV. : R1

Page : 88 of 113

WELDING PROCEDURE SPECIFICATION (WPS)
 ASME SEC.IX(2010)

WPS No.:

DS11-W012/03

PQR No.:

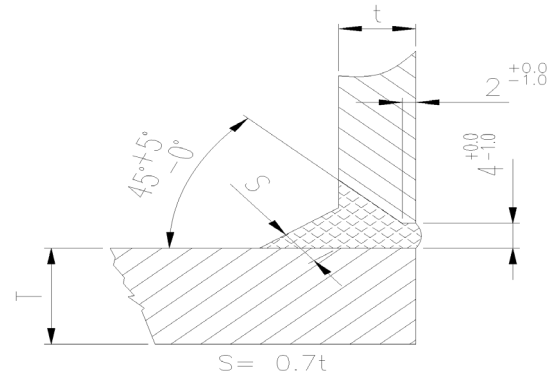
DS11-P052

JOINTS (QW-402)

SKETCH:

DESIGNATION SINGLE BEVEL GROOVE WELD-T-JOINT

BACKING	YES	<input type="checkbox"/>
	NO	<input checked="" type="checkbox"/>



(W 06) LWN TO TOP & BOTTOM PLATE

BASE METAL (QW-403)

P. No.	P No.1 TO P No.1
Gr. No.	Gr. No.2 TO Gr. No.2
MATERIAL:	ASME SA 350 LF2 CL.1N TO ASME SA516 Gr70
THICKNESS RANGE:	14.3&16.6 TO 20 mm
PIPE DIAMETER:	N.A

FILLER METAL (QW-404)

PROCESS	GTAW	SAW	SMAW
SPEC.SFA:	5.18		5.1
AWS CLASS	ER70S-6		E7018-1
WIRE	ER70S-6		E7018-1
POWDER
F-No.:	6		4
A-No.:	1		1
Size Of Filler Metal(mm)	2.4		3.25-4
QUALIFIED DEPOSITED THK.(mm)	UP TO 8		UP TO 24
TRADE NAME:	40-16T		1177F
Filler Metal Product Form	SOLID		...
SUPPLIER:	AMA		AMA
BAKING:		2 HOURS AT 300-350°C

TECHNIQUE (QW-410)

STRING(S) OR WAVE(W) BEAD:	S&W
INITIAL CLEANING:	BRUSHING
INT.PASS CLEANING:	BRUSHING & GRINDING
CONTACT TUBE TO WORK DISTANCE:	-
METHOD OF BACK GOUGING:	NONE
MULTI OR SINGLE PASS:	MULTI
MULTY OR SINGLE ELECTRODE:	SINGLE
PEENING:	NO

POSITION (QW-405)

POSITION:	HORIZONTAL
WELDING PROGRESSION:	UP NA DOWN NA

PREHEAT (QW-406)

PREHEAT TEMP. MIN.:	Thickness ≤ 25 mm = 10 C° - Thickness ≥ 25 mm = 79C °
INTERPASS TEMP. MAX.:	250 C°
POST HEAT TEMP. MIN.:	NOT REQUIRED

POST WELD HEAT TREATMENT (QW-407)

TEMPERATURE RANGE:	610±10 C°
TIME RANGE:	ACCORDING TO ASME SEC.VIII UCS 56.1

Note:

TABLE OF PASS IDENTIFICATION AND ELECTERICAL CHARACTERISTICS

WELD PASSES	PEROCESS	FILLER METAL		CURRENT			TRAVEL SPEED (mm /Min)	TUNGSTEN ELECT.SIZE & TYPE	MAX HEAT INPUT (KJ/mm)
		CLASS	DIAMETER (mm)	TYPE POLA.	AMPER (A)	VOLT (V)			
1(ROOT)	GTAW (MANUAL)	ER70S-6	2.4	DC(-)	140-190	12-18	120~150	2.4 mm 2% THORIATED	1.03
2	SMAW (MANUAL)	E7018-1	3.25	DC(+)	90-130	23-25	140~180	-	1.11
3-N	SMAW (MANUAL)	E7018-1	4	DC(+)	140-185	25-27	140~200	-	1.71



Toase-che Park Sanati Gohar Ofogh Petrochemical Co.
 CONCEPTUAL, BASIC and DETAIL DESIGN
 ENGINEERING OF STYRENE PARK OFFSITE

Document Title: WPS & PQR for Pressure Part and
 Structure Part for All items



Doc. Class: A

EI027-HSE-VD – QC– PRO– 005- R1

REV. : R1

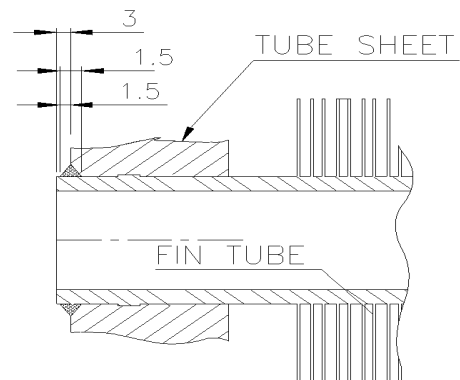
Page : 90 of 113

**WELDING PROCEDURE SPECIFICATION (WPS)
 ASME SEC.IX(2010)**

WPS No.: DS11-W025/01
 PQR No.: DS11-P042

JOINTS (QW-402)

DESIGNATION	SINGLE BEVEL GROOVE WELD-T-JOINT		
BACKING	YES	<input checked="" type="checkbox"/>	Base Metal
	NO	<input type="checkbox"/>	



BASE METAL (QW-403)

P. No. P No. 1 TO P No. 1
 Gr. No. Gr. No.1 TO Gr. No.2
 MATERIAL: ASME SA334 Gr 6 TO ASME SA516 Gr70

THICKNESS RANGE: 1.65 TO 20 mm
 PIPE DIAMETER: N.A

FILLER METAL (QW-404)

PROCESS	GTAW	SAW	SMAW
SPEC.SFA:	5.18		
AWS CLASS	WIRE	ER70S-6	
	POWDER	...	
F-No.:	6		
A-No.:	1		
Size Of Filler Metal(mm)	0.8		
DEPOSITED THK.(mm)	UP TO 3		
TRADE NAME:	WIRE	40-16M	
	POWDER	...	
SUPPLIER:	AMA		
BAKING:	...		

(W 08) Tube To Tube Sheet

TECHNIQUE (QW-410)

STRING(S) OR WAVE(W) BEAD:	S&W
INITIAL CLEANING:	BRUSHING
INT.PASS CLEANING:	BRUSHING & GRINDING
CONTACT TUBE TO WORK DISTANCE:	-
METHOD OF BACK GOUGING:	NONE
MULTI OR SINGLE PASS:	MULTI
MULTY OR SINGLE ELECTRODE:	SINGLE
PEENING:	NO

POSITION (QW-405)

POSITION:	2F
WELDING PROGRESSION:	UP NA DOWN NA

PREHEAT (QW-406)

PREHEAT TEMP. MIN.:	Thickness ≤ 25 mm =10 C° - Thickness ≥ 25 mm = 79C °
INTERPASS TEMP. MAX.:	250 C°
POST HEAT TEMP. MIN.:	NOT REQUIRED

POST WELD HEAT TREATMENT (QW-407)

TEMPERATURE RANGE:	-
TIME RANGE:	-
Note:	

TABLE OF PASS IDENTIFICATION AND ELECTRICAL CHARACTERISTICS

WELD PASSES	PEROCESS	FILLER METAL		CURRENT			TRAVEL SPEED (mm /Min)	TUNGSTEN ELECT.SIZE & TYPE	MAX HEAT INPUT (KJ/mm)
		CLASS	DIAMETER (mm)	TYPE POLA	AMPER (A)	VOLT (V)			
1-N	GTAW	ER70S-6	0.8	DC(-)	120-160	12-16	100~180	1.4 mm 2% THORIATE	0.92

تلفکس: ۴۶۸۴۱۱۲۱ (۰۲۱) و ۴۹۷۳۲ (۰۲۱)

کد پستی: ۳۷۵۳۱۴۶۱۳۷

تهران، کیلومتر ۲۱ جاده مخصوص کرج، ورودی شهر قدس، بلوار شهید فاسم اصغری خیابان فرنان، پلاک ۲۷

درخواست کننده: مهندسی و فن آوری حرارتی دمافین

آدرس شرکت: تهران کیلومتر ۱۴ جاده مخصوص کرج - بلوار جنوبی ایران خودرو - سبزه زامیاد

نام نمونه: Plate 50mm, SA 516 GR70, H.N 40026410 پروژۀ 1146

شماره صفحه: ۱ از ۴

نمونه گیری توسط مشتری انجام شده است

رطوبت:

دما:

شرایط محیطی

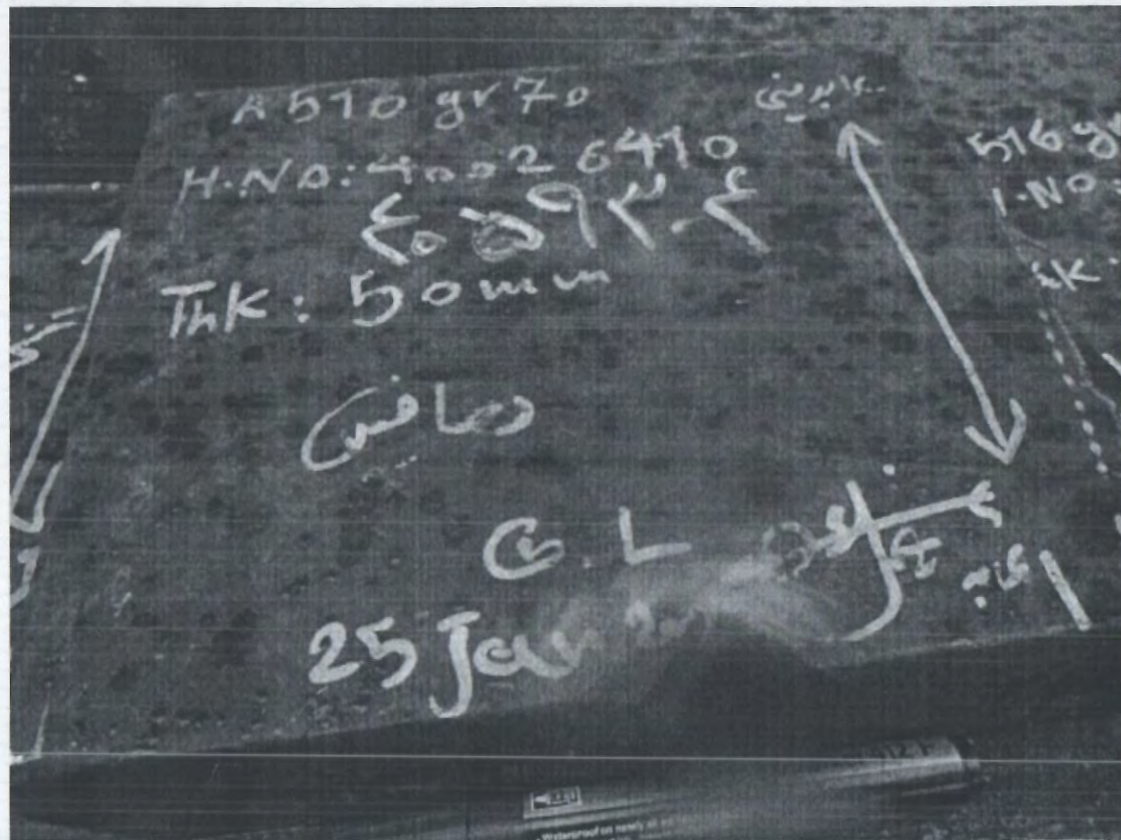
تاریخ	۴-۲۰۵۹۳
گزارش	۱۴۰۱/۱۲/۰۲
ایش	۰
وقت نمونه	۱۴۰۱/۱۱/۱۱
انجام	۱۴۰۱/۱۱/۲۵
مشتری	ندارد
مشتری	۱۴۰۱/۱۱/۱۰

ISO/IEC 17025 (2005)
Analytical
Accreditation Certificate
No. AAC.A.00223

آزمایشگاه همکار
اداره استاندارد استان تهران
گواهینامه نایب صلاحیت شماره T/3048
تائیدیه ها:
شرکت فولاد مبارکه
شرکت سایکو
شرکت سازه گستر سایبا
شرکت نفت و گاز پارس

مدیر فنی آزمایشگاه های فلزی
ستار نصیری

مدیر علمی آزمایشگاه ها
رضاخوش منش



رازی Applied Defense Foundation • رازی Applied Defense Foundation • رازی Applied Defense Foundation • رازی Applied Defense Foundation

- گزارش های این بنیاد بدون حروف برجسته و هولوگرام فاقد اعتبار است.
- کلیه گزارش ها توسط خط پایانی بسته شده است.
- نتایج فوق تنها برای نمونه های مورد آزمون قابل استناد است.
- گزارش نتایج آزمون تنها با اجازه بنیاد و به صورت کامل امکان پذیر خواهد بود.
- اد هیچ گونه مسئولیتی در مورد تطبیق نام نمونه با قطعه آزمون شده ندارد.

تلفکس: (۰۲۱)۴۶۸۴۱۱۲۱ و (۰۲۱)۴۷۷۳۲۰

کد پستی: ۳۷۵۳۱۴۶۳۷

تهران، کیلومتر ۲۱ جاده مخصوص کرج، ورودی شهر قدس، بلوار شهید قاسم اصغری خیابان فرمان، پلاک ۲۷

درخواست کننده: مهندسی و فن آوری حرارتی دماپن

آدرس شرکت: تهران کیلومتر ۱۴ جاده مخصوص کرج - بلوار جنوبی ایران - سنخ زامیاد

نام نمونه: 1146 Plate 50mm, SA 516 GR70, H.N:40026410, پروژه

ری	۴۰۵۹۳-۴
گزارش	۱۴۰۱/۱۲/۰۱
ش	۰
ت نمونه	ندارد
انجام	۱۴۰۱/۱۱/۱۱
مشتری	۱۴۰۱/۱۱/۲۵
مشتری	ندارد
مشتری	۱۴۰۱/۱۱/۱۰

شماره صفحه: ۲ از ۲

شرایط محیطی: دما: --- رطوبت: --- نمونه گیری توسط مشتری انجام شده است

تطابق نتایج آزمون با استاندارد

مقایسه نتایج آزمون های انجام شده در جدول زیر ارایه شده است:

مطابقت ندارد. <input type="checkbox"/>	مطابقت دارد. <input checked="" type="checkbox"/>	1- آزمون آنالیز شیمیایی
مطابقت ندارد. <input type="checkbox"/>	مطابقت دارد. <input checked="" type="checkbox"/>	2- آزمون کشش
مطابقت ندارد. <input type="checkbox"/>	مطابقت دارد. <input checked="" type="checkbox"/>	3- اندازه دانه آستنیت اولیه

مقایسه نتایج آزمون های انجام شده با استاندارد محصول در جدول زیر ارایه شده است:

ASME SEC II Part A (2021) SA-516 Grade 70 (UNS K02700)	1- استاندارد محصول:
مطابقت ندارد. <input type="checkbox"/>	2- نمونه فوق با استاندارد محصول مطابقت دارد. <input checked="" type="checkbox"/>

- نتایج آزمون ها در صفحات بعدی گزارش ارایه شده اند.
- تعیین دقیق استاندارد منوط به بررسی ساختار میکروسکوپی (عملیات حرارتی) می باشد.



ISO/IEC 17025 (2005)
Analytical
Accreditation Certificate
No AAC.A.002.23

آزمایشگاه همکار
اداره استاندارد استان تهران
گواهینامه تأیید صلاحیت شماره T/3648
تائیدیه ها:
شرکت فولاد مبارک
شرکت سایکو
شرکت سازه گستر سایپا
شرکت نفت و گاز پارس

مدیر فنی آزمایشگاه های فلزی
ستار نصیری

مدیر علمی آزمایشگاه ها
رضاخوش متش

تهران، کیلومتر ۲۱ جاده مخصوص کرج، ورودی شهر قدس، بلوار شهید قاسم اصغری خیابان فرمان، پلاک ۲۷ کد پستی: ۳۷۵۳۱۴۶۱۳۷ تلفکس: ۴۶۸۴۱۱۲۱ و ۴۹۷۳۲۲ (۰۲۱)
درخواست کننده: مهندسی و فن آوری حرارتی دماپن
آدرس شرکت: تهران کیلومتر ۱۴ جاده مخصوص کرج - بلوار جنوبی ایران خودرو - سخ زامباد
نام نمونه: 1146 Plate 50mm, SA 516 GR70, H.N:40026410, پروژه
شرایط محیطی: دما: 22C | رطوبت: ٪۲۴ | نمونه گیری توسط مشتری انجام شده است

ری	۴-۰۵۹۳
تاریخ	۱۴۰۱/۱۲/۰۱
ش	۰
ت نمونه	۱۴۰۱/۱۱/۱۱
انجام	۱۴۰۱/۱۱/۲۵
مشتری	ندارد
شتری	۱۴۰۱/۱۱/۱۰

مون تعیین ترکیب شیمیایی به روش اسپکترومتری نشری

دارد مرجع روش آزمون: ASTM A751(2021)/ ASTM E415 (2021)/INISO 10979 (2016)

دارد مرجع گزارش دهی: ASTM E1950(2017)/ ASTM E29(2022)

آماده سازی نمونه: سنباده زنی ASTM E415 (Cl. 9.2) سنباده زنی سطحی ماشین کاری ذوب مجدد و سنباده زنی ASTM E1306 (2017)

گاه مورد استفاده: OXFORD THERMO(ARL 3460) HITACHI PRO 2 OXFORD (PMI) HITACHI (PMI) FOUNDRY MASTER (WAS)

یب شیمیایی نمونه بر حسب درصد وزنی عناصر:

C	Si	Mn	P	S	Cr	Mo	Ni	Al	Co	Cu
0.22	0.38	1.34	0.011	0.006	0.02	0.02	0.04	0.042	0.01	0.02
Nb	Ti	V	W	Pb	Sn	B	Zr	As	Fe	
< 0.002	< 0.002	0.003	< 0.015	< 0.01	< 0.002	< 0.0008	0.002	< 0.004	Base	

حدود مجاز ترکیب شیمیایی استاندارد ASME SEC II Part A (2021) SA516 Grade 70

	C	Si	Mn	P	S
Min	*	0.13	0.79	*	*
Max	0.28	0.45	1.60	0.025	0.025

حدود مجاز ترکیب شیمیایی استاندارد ASME SEC II Part A (2021) SA20 Fine Austenite Grain

	Al
Min	0.02
Max	*



مونه در شرایط Fully killed قرار دارد.

ISO/IEC 17025 (2005)
Analytical
Accreditation Certificate
No. AAC.A.00223

آزمایشگاه همکار
اداره استاندارد استان تهران
کواهینامه تأیید صلاحیت شماره T/3048
تأییدیه ها:
شرکت فولاد مبارکه
شرکت سایکو
شرکت سازه گستر سایبا
شرکت نفت و گاز پارس

مدیر فنی آزمایشگاه های فلزی
ستار نصیری



مدیر علمی آزمایشگاه ها
رضاخوش منش

Iran Applied Science Foundation - Iran Applied Science Foundation - Iran Applied Science Foundation - Iran Applied Science Foundation

هیچ گونه مسئولیتی در مورد تطبیق نام نمونه با قطعه آزمون شده ندارد. ● کلیه گزارش ها توسط خط پایانی بسته شده است. ● گزارش های این بنیاد بدون حروف برجسته و هولوگرام فاقد اعتبار است. ● باقیمانده نمونه ها تنها به مدت یک ماه نگهداری خواهند شد. ● نتایج فوق تنها برای نمونه های مورد آزمون قابل استناد است. ●

تهران، کیلومتر ۲۱ جاده مخصوص کرج، ورودی شهر قدس، بلوار شهید قاسم اصغری خیابان قرنان، پلاک ۲۷ کد پستی: ۳۷۵۳۱۴۶۱۳۷ تلفکس: ۴۶۸۴۱۱۲۱ (۰۲۱) و ۴۹۷۲۳۲ (۰۲۱)
درخواست کننده: مهندسی و فن آوری حرارتی دماقین
آدرس شرکت: تهران کیلومتر ۱۴ جاده مخصوص کرج - بلوار جنوبی ایران خودرو - خ زامیاد
نام نمونه: 1146 Plate 50mm, SA 516 GR70, H.N:40026410, پروژه

ری	۴-۰۵۹۳
تاریخ	۱۴۰۱/۱۲/۰۱
ش	۰
ت نمونه	۱۴۰۱/۱۱/۱۱
انجام	۱۴۰۱/۱۱/۲۵
مشتری	ندارد
شتری	۱۴۰۱/۱۱/۱۰

شماره صفحه: ۴ از ۴ شرایط محیطی: دما: 25C | رطوبت: ۴۱٪ | نمونه گیری توسط مشتری انجام شده است

ISO/IEC 17025 (2005)
Analytica
Accreditation Certificate
No. AAC.A.00223

آزمایشگاه همکار
اداره استاندارد استان تهران
گواهینامه تأیید صلاحیت شماره T/3048
تأییدیه ها:
شرکت فولاد مبارکه
شرکت سایکو
شرکت سازه گستر سایپا
شرکت نفت و گاز پارس

آزمون کشش در دمای محیط

استاندارد مرجع آزمون: ASTM A370 (2021)

مقطع آزمون: گرد

جهت نمونه برداری: عرضی

نوع ماده: آهنی

ردیف	قطر نمونه D (mm)	سطح مقطع S _o (mm ²)	طول گیج (mm)	استحکام Proof 0.2% offset R _t (MPa)	استحکام نهایی R _m (MPa)	ازدیاد طول نسبی % A	کاهش سطح مقطع % Z	توضیحات
1	12.58	124.29	50	353	544	33	71	---
2	12.47	122.13	50	355	544	33	71	---
عدم قطعیت %±/U _E								
حدود مجاز استاندارد								
			4D	Min.260	485-620	Min.21	---	

مدیر فنی آزمایشگاه مکانیکی

ایمان قبادی

مدیر علمی آزمایشگاه ها

رضا خوش منش



Best Applied Bologna Foundation / Best Applied Bologna Foundation / Best Applied Bologna Foundation / Best Applied Bologna Foundation

- هیچ گونه مسئولیتی در مورد تطبیق نام نمونه با قطعه آزمون شده ندارد.
- کلیه گزارش ها توسط خط پایانی بسته شده است.
- نتایج فوق تنها برای نمونه های مورد آزمون قابل استناد است.
- باقیمانده نمونه ها تنها به مدت یک ماه نگهداری خواهند شد.

**PROCEDURE
QUALIFICATION RECORD
(PQR) ACCORDING TO ASME**

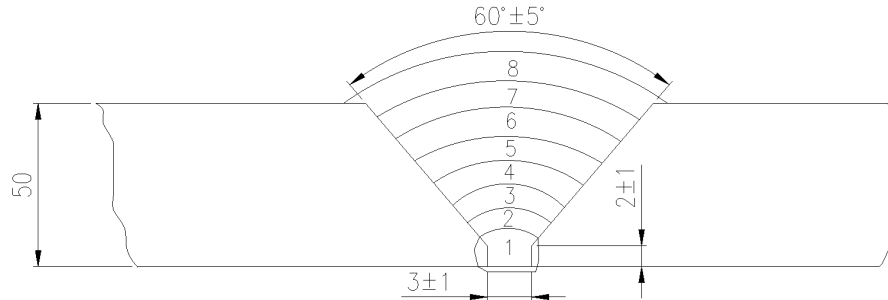
WELDING PROCESS(ES): **GTAW& SMAW & SAW**

REV. : 0

TYPES(MANUAL,AUTOMATIC,SEMI AUTO.):

MANUAL& AUTOM

JOINTS(QW-402)



BASE METALS (QW-403)

MATERIAL SPEC. : ASME SA 516

TYPE OR GRADE : GR 70

P-NO. : 1 TO P-NO. : 1

GROUP NO. : 2 TO GROUP NO. : 2

THICKNESS OF TEST COUPON : 50 mm

DIAMETER OF TEST COUPON : -

OTHER : -

POSTWELD HEAT TREATMENT (QW-407)

TEMPERATURE : 610°C

TIME : - 2HR

OTHER : -

GAS (QW-408)

GAS(ES) ARGON

SHIELDING :

LOW RATIO 5~15 LIT/MIN

TRAILING : - -

BACKING : - - -

FILLER METALS (QW-404)

	GTAW	SMAW	SAW
SFA SPECIFICATION :	5.18	5.1	5.17
AWS CLASSIFICATION :	ER70S-6	E7018-1	EH12
FILLER METAL F-NO. :	6	4	6
WELD METAL ANALYSIS A-NO. :	1	1	1
SIZE OF FILLER METAL :	2.4	3.25-4	4
WELD METAL THICKNESS :			
OTHER :			

TECHNIQUE (QW-410)

TRAVEL SPEED 9~15& 14-25 & Cm/Min

STRING OR WEAVE BEAD : STRING & WAVE

OSCILATION :

MULTIPASS OR SINGLE PASS(PER SIDE) : MULTI

SINGLE OR MULTIPLE ELECTRODES : SINGLE

OTHER :

POSITION (QW-405)

POSITION OF GROOVE : 1G

WELD PROGRESSION (UP,DOWN) : N/A

OTHER :

ELECTRICAL CHARACTERISTICS (QW-409)

PASS	PROCESS	FILLER METAL		CURRENT		
		CLASS	DIA (mm)	TYPE-POL.	AMP. (A)	VOLT (V)
1	GTAW	ER70S-6	2.4	DC. -	140	16
2	SMAW	E7018-1	3.25	DC. +	140	24
3	SMAW	E7018-1	4	DC. +	160	25
4	SAW	F8A8-EH12K	4	DC. +	480	28
5	SAW	F8A8-EH12K	4	DC. +	500	30
6	SAW	F8A8-EH12K	4	DC. +	520	31
7	SAW	F8A8-EH12K	4	DC. +	540	32
8	SAW	F8A8-EH12K	4	DC. +	540	32
9						
10						

PREHEAT (QW-406)

PREHEAT TEMP. : 79°C

INTERPASS TEMP. : MAX. 315°C

OTHER : CONTROL WITH TEMPIL STICK

**PROCEDURE QUALIFICATION
RECORD (PQR) ACCORDING TO
ASME IX**

TENSILE TEST (QW-150)

SPECIMEN NO.	WIDTH (mm)	THICKNESS (mm)	AREA (mm ²)	ULTIMATE TOAL LOAD (N)	U.T.S Mpa	FAILURE & LOCATION
1	18.95	49.64	940.68	246339	514	BASE METAL
2	18.92	49.81	942.41	243943	528	BASEMETAL

GUIDED BEND TEST(QW-160)

NO.	TYPE OF SPECIMEN	DIAMETER OF PLUNGER (mm)	ANGLE	RESULT
1	SIDE BEND	4t	180	Accepted
2	SIDE BEND	4t	180	Accepted
3	SIDE BEND	4t	180	Accepted
4	SIDE BEND	4t	180	Accepted

TOUGHNESS TEST (QW-170)

Test Temperature (°C): -45		SIZE (mm* mm): 10*10*55				Retest:	Remark:
Location	Absorbed Energy (J)						
	WM	HAZ	BM	FL+5			
1	197	163	52	-			
2	177	169	52				
3	160	152	58				
Ave.	178	161	54				

HARDNESS TEST

Location	BM	HAZ 1	WM	HAZ 2	BM
1	160~207	160~207	160~207	160~207	160~207
2	160~207	160~207	160~207	160~207	160~207

CHEMICAL ANALYSIS

C %	Si %	S %	P %	Mn %	NI %	Cr %	Mo %	V %	Cu %	W %	Ti %	Sn %	Co %	Al %	Pb %	Nb %	Bi %
0.080	0.42	0.003	0.007	1.60	0.04	0.04	0.02	0.008	0.04	<0.015	<0.002	0.003	0.10	0.02	<0.01	<0.002	<0.01
Zn %	Mg %	Fe %															
-	-	Base															

Other Test

Hardness	✓
Macro	N.A
Radiography	✓
PWHT	✓

FILLET WELD TEST (QW-180)

RESULT-SATISFACTORY: YES NO PENETRATION INTO PARENT METAL: YES NO
MACRO-RESULT :

OTHER TEST

TYPE OF TEST : **RT-OK**

DEPOSIT ANALYSIS : **OK**

WELDERS NAME : **SAEED ASADOLAH**

STAMP NO. : **W12/03**

TESTS CONDUCTED BY : **DAMAFIN**

LABORATORY TEST NO. : **10219-1**

WE CERTIFY THAT THE STATEMENTS IN THIS RECORD ARE CORRECT AND THE TEST WELDS WERE PREPARED, WELDED AND TESTED IN ACCORDANCE WITH THE REQUIREMENTS OF SECTION IX OF THE ASME CODE.

DATE : **25.APRIL.2024**

BY: **H.NAJARI**



شرکت فکری و مشاورت مینا
 (برای خدماتی مابین صنعت، کارخانه، پتروشیمی و نیروگاه)

Radiography

Test Report

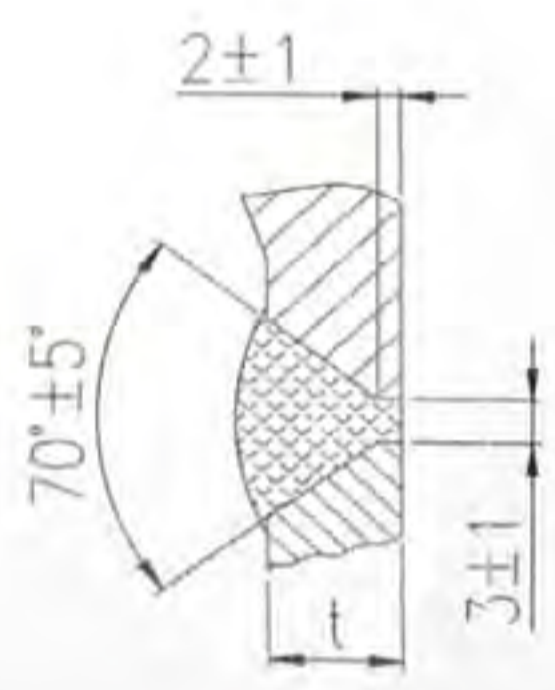
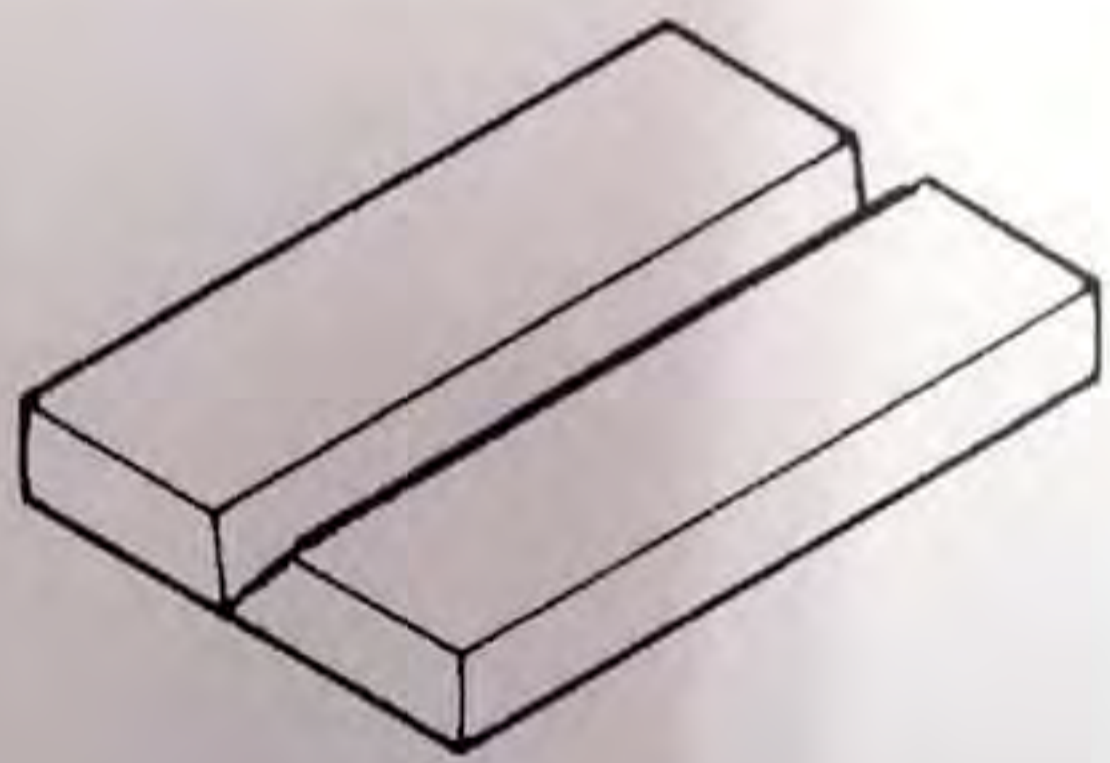


Client : (OTCE)	Project : Dehloran Gas Compressor Station	Request No : 03 / 18
Contractor : (OIEC)	DTT Job No. : 2013	Date Of Test : 1403/04/15
Vendor: Damafin	Member No.: PQR	Report No: RT-DAM-03.18/01/111

Item Name : As Follows	Equipment : TECHOPS	Exposure Technique : SWSI
Material : SA-516Gr.70	Source Type : IR 192	Film Type : Kodak MX125
Code/Standard : ASME Sec V & VIII	Source Size (mm) : 2 x 3	Screen Type & Thk. : Pb - 0.15 (mm)
Version : 2020	Activity (Ci) : 20 ci	Acc.Density Range : 2 - 4
Procedure No: DGS-V0001-TI-DOC-1038-00-A	Voltage (KV) : —	Acc.Sensivity : 2 %
Version : 01	Current (mA) : —	Max.Acc. UG: 0.51 IQI : 10x16

No	Weld Location	Weld No.	Film Length (cm)	Thk (mm)	SFD / FFD (cm)	Film Location	O.D (mm)	Welder ID	Type of Defect	Judgment				Remark
										Acc	Rep	RS	RR	
1	Plate to Plate	PQR	40	50	600	0 - 400	C+T	✓				

Weld Location And Identification Sketch :



Total of film : 3 * 40 cm = 0.4 m

Radiography Technique		Type of Defect		LF	Lack of Fusion	LC	Longitudinal Crack
SWSI	Single Wall- Single Image	SP	Spherical Porosity	CL	Cold Lap	TC	Transverse Crack
DWSI	Double Wall- Single Image	CP	Cluster Porosity	LP	Lack of Penetratio	CC	Crater Crack
Elip.	Elliptical	WH	Worm Hole	RC	Root Concavity	SC	Shrinkage Cavity
Pano.	Panoramic	HB	Hollow Bead	SI	Slag Inclusion	RU	Root Undercut
Simp.	Super Impose	EP	Excess Penetration	SL	Slag Line	CU	Cap Undercut
L : Weld Length (cm)		BT	Burn Through	TI	Tangstan Inclusion	FM	Film Mark

O.D. : Outer Diameter (in) Judgment Acc Accept Rep.: Repair RS : Re Shoot RR : Re Radiography

Examiner :	Vendor :	TPI :	Client :
Peydayesh Fekr Consulting Co. 0011 Mojtaba Ghorbani ASNT NDT Level Second E.T.M.T., P.T., R.T., U.T., V.T. & R.T./I			

تهران، کیلومتر ۲۱ جاده مخصوص کرج، ورودی شهر قدس، بلوار شهید قاسم اصغری خیابان فرنان، پلاک ۲۷ کد پستی: ۳۷۵۳۱۴۶۱۳۷ تلفکس: (۰۲۱) ۴۶۸۴۱۱۲۱ و (۰۲۱) ۴۹۷۳۲۲

درخواست کننده: مهندسی و فن آوری حرارتی دماپین

آدرس شرکت: تهران کیلومتر ۱۴ جاده مخصوص کرج - بلوار جنوبی ایران خودرو - سخ زامیاد

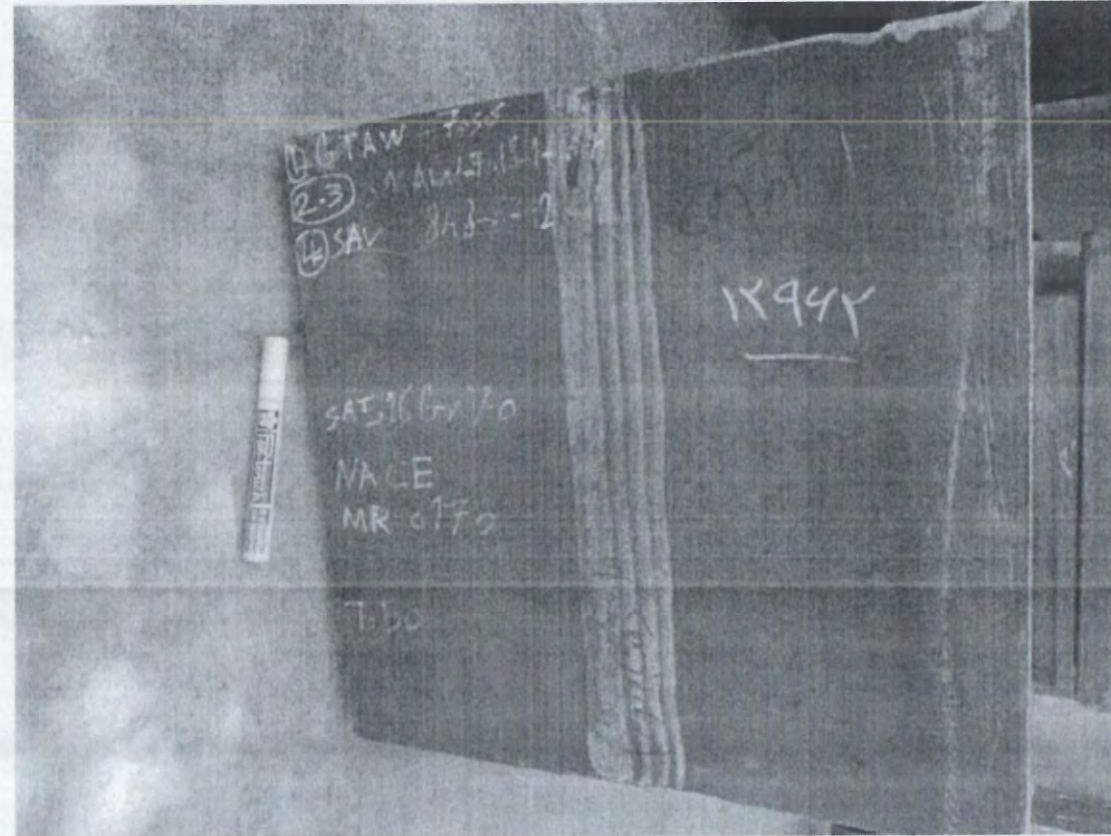
نام نمونه: PQR,GTAW+SMAW-SAW,A516 Gr:70 Nace MR0175 Thk:50mm,P:2013

شرایط محیطی | دما: | رطوبت: | نمونه گیری توسط مشتری انجام شده است | شماره صفحه: ۱ از ۸

شماره پیگیری	۱۲۹۶۲-۱
تاریخ ارائه گزارش	۱۴۰۳/۰۴/۲۷
شماره ویرایش	۰
پیوست	
تاریخ دریافت نمونه	۱۴۰۳/۰۴/۲۲
تاریخ تایید انجام	۱۴۰۳/۰۴/۲۳
شماره نامه مشتری	۱۴۰۳/۱۱۸
تاریخ نامه مشتری	۱۴۰۳/۰۴/۱۷

ANALITICA
ISO/IEC 17025 (2017)
Analitica
Accreditation Certificate
No. AAC. A. 00223

ازمایشگاه همکار
اداره استاندارد استان تهران
گواهینامه تایید صلاحیت شماره T/3048
تائیدیه ها:
شرکت فولاد مبارکه
شرکت سایکو
شرکت سازه گستر سایپا
شرکت نفت و گاز پارس



مدیر فنی آزمایشگاه ها
بهنام رحمانی

Razi Applied Science Foundation • Razi Applied Science Foundation • Razi Applied Science Foundation • Razi Applied Science Foundation

- این بنیاد هیچ گونه مسئولیتی در مورد تطبیق نام نمونه با قطعه آزمون شده ندارد.
- کلیه گزارش ها توسط خط پایانی بسته شده است.
- تکثیر گزارش نتایج آزمون تنها با اجازه بنیاد و به صورت کامل امکان پذیر خواهد بود.
- نتایج فوق تنها برای نمونه های مورد آزمون قابل استناد است.
- باقیمانده نمونه ها تنها به مدت یک ماه نگهداری خواهند شد.



تلفکس: ۴۶۸۴۱۱۲۱ (۰۲۱) و ۴۹۷۳۲ (۰۲۱)

کد پستی: ۳۷۵۳۱۴۴۱۳۷

تهران، کیلومتر ۲۱ جاده مخصوص کرج، ورودی شهر قدس، بلوار شهید قاسم اصغری خیابان فرنان، پلاک ۲۷

درخواست کننده: مهندسی و فن آوری حرارتی دماپین

آدرس شرکت: تهران کیلومتر ۱۴ جاده مخصوص کرج - بلوار جنوبی ایران خودرو - مخ زامیاد

نام نمونه: PQR,GTAW+SMAW-SAW,A516 Gr:70 Nace MR0175 Thk:50mm,P:2013

شرایط محیطی: دما: 23C | رطوبت: ۳۶٪ | نمونه گیری توسط مشتری انجام شده است

شماره صفحه: ۲

از ۸

ANALITICA
ILAC FULL MEMBER
ISO/IEC 17025 (2017)
Analitica
Accreditation Certificate
No.AAC.A.00223

آزمایشگاه همکار
اداره استاندارد استان تهران
گواهینامه تولید صلاحیت شماره T/3048
تائیدیه ها:
شرکت فولاد مبارکه
شرکت سایکو
شرکت سازه گستر سابها
شرکت نفت و گاز پارس

مدیر آزمایشگاه کوانتومتری

ایمان قبادی

مدیر فنی آزمایشگاه ها

بهنام رحمانی

آزمون تعیین ترکیب شیمیایی به روش اسپکترومتری نشری

استاندارد مرجع آزمون: ASTM E415-2021

دستگاه مورد استفاده: HITACHI PRO2 ARL OXFORDآماده سازی نمونه: سنباده زنی پولکی و سنباده زنی سنباده زنی سطحی ماشین کاری نوع ماده: آهنی غیرآهنی

ترکیب شیمیایی نمونه بر حسب درصد وزنی عناصر (جوش):

C	Si	Mn	P	S	Cr	Mo	Ni	Al	Co	Cu	Nb
0.08	0.42	1.46	0.007	< 0.003	0.04	0.02	0.04	0.020	0.01	0.04	< 0.002
Ti	V	W	Pb	Sn	B	Zr	Bi	As	Fe		
< 0.002	0.008	< 0.015	< 0.01	0.003	< 0.0008	< 0.002	< 0.01	< 0.004	Base		

Razi Applied Science Foundation • Razi Applied Science Foundation • Razi Applied Science Foundation • Razi Applied Science Foundation

- این بنیاد هیچ گونه مسئولیتی در مورد تطبیق نام نمونه با قطعه آزمون شده ندارد.
- تکنیر گزارش نتایج آزمون تنها با اجازه بنیاد و به صورت کامل امکان پذیر خواهد بود.
- گزارش های این بنیاد بدون حروف برجسته و هولوگرام فاقد اعتبار است.
- نتایج فوق تنها برای نمونه های مورد آزمون قابل استناد است.
- باقیمانده نمونه ها تنها به مدت یک ماه نگهداری خواهند شد.

شماره پیگیری	۱۲۹۶۲-۱
تاریخ ارائه گزارش	۱۴۰۳/۰۴/۲۷
شماره ویرایش	۰
پیوست	
تاریخ دریافت نمونه	۱۴۰۳/۰۴/۲۲
تاریخ تایید انجام	۱۴۰۳/۰۴/۲۳
شماره نامه مشتری	۱۴۰۳/۱۱۸
تاریخ نامه مشتری	۱۴۰۳/۰۴/۱۷

تهران، کیلومتر ۲۱ جاده مخصوص کرج، ورودی شهر قدس، بلوار شهید قاسم اصغری خیابان فونان، پلاک ۲۷ کد پستی: ۳۷۵۳۱۴۶۱۴۷ تلفکس: ۴۶۸۴۱۱۲۱ (۰۲۱) و ۴۹۷۳۲۲ (۰۲۱)

درخواست کننده: مهندسی و فن آوری حرارتی دماپین

آدرس شرکت: تهران کیلومتر ۱۴ جاده مخصوص کرج - بلوار جنوبی ایران خودرو - خ زامیاد

نام نمونه: PQR,GTAW+SMAW-SAW,A516 Gr:70 Nace MR0175 Thk:50mm,P:2013

شرایط محیطی | دما: 25C | رطوبت: ۴۱٪ | نمونه گیری توسط مشتری انجام شده است | شماره صفحه: ۳ از ۸

آزمون کشش در دمای محیط بعد از عملیات حرارتی

استاندارد مرجع آزمون: ASME SEC IX (2023)

موقعیت نمونه برداری: عرضی از جوش

نوع مقطع آزمون: تخت

نوع ماده: آهنی

ردیف	ضخامت * عرض (mm * mm)	سطح مقطع S_0 (mm ²)	استحکام Proof 0.2% offset Y_S (MPa)	استحکام نهایی R_m (MPa)	توضیحات
1	18.95*49.64	940.67	---	514	از فلز پایه شکست.
2	18.92*49.81	942.40	---	528	از فلز پایه شکست.
عدم قطعیت U_E +/- %					

ANALITICA
S.A.C. FULL MEMBER
ISO/IEC 17025 (2017)
Analitica
Accreditation Certificate
No.AAC.A.00223

آزمایشگاه همکار
اداره استاندارد استان تهران
گواهینامه تایید صلاحیت شماره T/3048
تأییدیه ها:
شرکت فولاد مبارکه
شرکت سایکو
شرکت سازه گستر سایپا
شرکت نفت و گاز پارس

مدیر آزمایشگاه مکانیکی

ایمان قبادی

مدیر فنی آزمایشگاه ها

بهنام رحمانی

Razi Applied Science Foundation • Razi Applied Science Foundation • Razi Applied Science Foundation • Razi Applied Science Foundation

- این بنیاد هیچ گونه مسئولیتی در مورد تطبیق نام نمونه با قطعه آزمون شده ندارد.
- تکثیر گزارش نتایج آزمون تنها با اجازه بنیاد و به صورت کامل امکان پذیر خواهد بود.
- کلید گزارش ها توسط خط پایانی بسته شده است.
- نتایج فوق تنها برای نمونه های مورد آزمون قابل استناد است.
- گزارش های این بنیاد بدون حروف برجسته و هولوگرام فاقد اعتبار است.
- باقیمانده نمونه ها تنها به مدت یک ماه نگهداری خواهند شد.

تلفکس: (۰۲۱) ۴۶۸۴۱۱۲۱ و (۰۲۱) ۴۹۷۳۲۲

کد پستی: ۳۷۵۳۱۴۶۱۳۷

تهران، کیلومتر ۲۱ جاده مخصوص کرج، ورودی شهر قدس، بلوار شهید قاسم اصغری خیابان فرنان، پلاک ۲۷

درخواست کننده: مهندسی و فن آوری حرارتی دماقین

آدرس شرکت: تهران کیلومتر ۱۴ جاده مخصوص کرج - بلوار جنوبی ایران خودرو - مخ زامیاد

نام نمونه: PQR,GTAW+SMAW-SAW,A516 Gr:70 Nace MR0175 Thk:50mm,P:2013

شماره صفحه: ۴ از ۸

شرایط محیطی | دما: 25C | رطوبت: ۴۱٪ | نمونه گیری توسط مشتری انجام شده است

شماره بیکری	۱۲۹۶۲-۱
تاریخ ارائه گزارش	۱۴۰۳/۰۴/۲۷
شماره ویرایش	۰
پیوست	
تاریخ دریافت نمونه	۱۴۰۳/۰۴/۲۲
تاریخ تایید انجام	۱۴۰۳/۰۴/۲۳
شماره نامه مشتری	۱۴۰۳/۱۱۸
تاریخ نامه مشتری	۱۴۰۳/۰۴/۱۷

آزمون سختی سنجی ماکرو به روش ویکرز پس از عملیات حرارتی

استاندارد مرجع: (2005) 1-ISO 6507 - ISO 15156-2 (2015) / NACE MR 0175

فرورونده: هرم الماسه

نیروی اعمالی (kgf): HV5 (49.03N) HV10(98.07N)

زمان اعمال نیرو: 10-15 ثانیه

با توجه به آزمایش انجام شده نتایج حاصل به شرح زیر است:

ردیف	موقعیت سختی سنجی	عدد سختی (HV)	معیار پذیرش عدد سختی (HV)
1	نقطه 1	170	---
2	نقطه 2	201	---
3	نقطه 3	199	---
4	نقطه 4	193	---
5	نقطه 5	192	---
6	نقطه 6	203	---
7	نقطه 7	202	---
8	نقطه 8	160	---
9	نقطه 9	168	---
10	نقطه 10	187	---
11	نقطه 11	188	---
12	نقطه 12	207	---

ANALITICA
ILAC FULL MEMBER
ISO/IEC 17025 (2017)
Analitica
Accreditation Certificate
No.AAC.A.00223

ازمایشگاه همکار
اداره استاندارد استان تهران
گواهینامه تایید صلاحیت شماره T/3048
تائیدیه ها
شرکت فولاد مبارکه
شرکت سایکو
شرکت سازه گستر سابیا
شرکت نفت و گاز پارس

مدیر آزمایشگاه متالوگرافی

ایمان فیادی

مدیر فنی آزمایشگاه ها

بهنام رحمانی

Razi Applied Balance Foundation • Razi Applied Balance Foundation • Razi Applied Balance Foundation • Razi Applied Balance Foundation

- این بنیاد هیچ گونه مسئولیتی در مورد تطبیق نام نمونه با قطعه آزمون شده ندارد.
- کلیه گزارش ها توسط خط پایانی بسته شده است.
- تکثیر گزارش نتایج آزمون تنها با اجازه بنیاد و به صورت کامل امکان پذیر خواهد بود.
- نتایج فوق تنها برای نمونه های مورد آزمون قابل استناد است.
- گزارش های این بنیاد بدون حروف برجسته و هولوگرام فاقد اعتبار است.
- باقیمانده نمونه ها تنها به مدت یک ماه نگهداری خواهند شد.

تلفکس: ۰۲۱) ۴۹۷۳۲ و ۰۲۱) ۴۶۸۴۱۱۲۱

کد پستی: ۳۷۵۳۱۴۶۱۳۷

تهران، کیلومتر ۲۱ جاده مخصوص کرج، ورودی شهر قدس، بلوار شهید قاسم اصغری خیابان فرنان، پلاک ۲۷

درخواست کننده: مهندسی و فن آوری حرارتی دماقین

آدرس شرکت: تهران کیلومتر ۱۴ جاده مخصوص کرج - بلوار جنوبی ایران خودرو - مخ زامیاد

نام نمونه: PQR,GTAW+SMAW-SAW,A516 Gr:70 Nace MR0175 Thk:50mm,P:2013

شرایط محیطی

دما: 25C

رطوبت: %۴۱

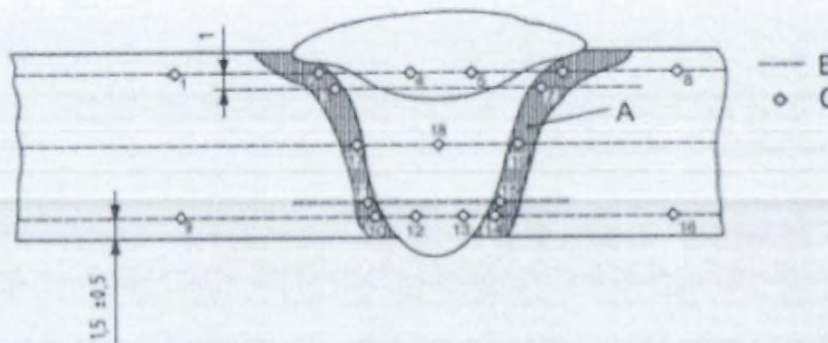
نمونه گیری توسط مشتری انجام شده است

شماره صفحه: ۵

از ۸

شماره پیگیری	۱۲۹۶۲-۱
تاریخ ارائه گزارش	۱۴۰۳/۰۴/۲۷
شماره ویرایش	۰
پیوست	
تاریخ دریافت نمونه	۱۴۰۳/۰۴/۲۲
تاریخ ناپید انجام	۱۴۰۳/۰۴/۲۳
شماره نامه مشتری	۱۴۰۳/۱۱۸
تاریخ نامه مشتری	۱۴۰۳/۰۴/۱۷

ردیف	موقعیت سختی سنجی	عدد سختی (HV)	معیار پذیرش عدد سختی (HV)
13	نقطه 13	206	---
14	نقطه 14	202	---
15	نقطه 15	201	---
16	نقطه 16	161	---
17	نقطه 17	181	---
18	نقطه 18	201	---
19	نقطه 19	199	---



ANALITICA
IAC FULL MEMBER
ISO/IEC 17025 (2017)
Analitica
Accreditation Certificate
No.AAC.A.00223

آزمایشگاه همکار
اداره استاندارد استان تهران
گواهینامه تایید صلاحیت شماره T/3048
تائیده ها:
شرکت فولاد مبارکه
شرکت سایکو
شرکت سازه گستر سایپا
شرکت نفت و گاز پارس

مدیر آزمایشگاه متالوگرافی
ایمان مبادی

مدیر فنی آزمایشگاه ها
بهنام رحمانی

Next Applied Balance Foundation • Next Applied Balance Foundation • Next Applied Balance Foundation • Next Applied Balance Foundation

- این بنیاد هیچ گونه مسئولیتی در مورد تطبیق نام نمونه با قطعه آزمون شده ندارد.
- کلیه گزارش ها توسط خط پایانی بسته شده است.
- تکثیر گزارش نتایج آزمون تنها با اجازه بنیاد و به صورت کامل امکان پذیر خواهد بود.
- نتایج فوق تنها برای نمونه های مورد آزمون قابل استناد است.
- گزارش های این بنیاد بدون حروف برجسته و هولوگرام فاقد اعتبار است.
- باقیمانده نمونه ها تنها به مدت یک ماه نگهداری خواهند شد.

شماره پیگیری	۱۲۹۶۲-۱
تاریخ ارائه گزارش	۱۴۰۳/۰۴/۲۷
شماره ویرایش	۰
پیوست	
تاریخ دریافت نمونه	۱۴۰۳/۰۴/۲۲
تاریخ تایید انجام	۱۴۰۳/۰۴/۲۳
شماره نامه مشتری	۱۴۰۳/۱۱۸
تاریخ نامه مشتری	۱۴۰۳/۰۴/۱۷

تهران، کیلومتر ۲۱ جاده مخصوص کرج، ورودی شهر قدس، بلوار شهید قاسم اصغری خیابان فرنان، پلاک ۲۷ کد پستی: ۳۷۵۳۱۴۶۱۳۷ تلفکس: ۴۶۸۴۱۱۲۱ (۰۲۱) و ۴۹۷۲۲ (۰۲۱)

درخواست کننده: مهندسی و فن آوری حرارتی دمافین

آدرس شرکت: تهران کیلومتر ۱۴ جاده مخصوص کرج - بلوار جنوبی ایران خودرو - خ زامیاد

نام نمونه: PQR,GTAW+SMAW-SAW,A516 Gr:70 Nace MR0175 Thk:50mm,P:2013

شرایط محیطی: دما: 25C رطوبت: %۴۱ نمونه گیری توسط مشتری انجام شده است شماره صفحه: ۶ از ۸

ANALITICA
ILAC FULL MEMBER
ISO/IEC 17025 (2017)
Analytica
Accreditation Certificate
No.AAC.A.00223

ازمایشگاه همکار
اداره استاندارد استان تهران
گواهینامه تایید صلاحیت شماره T/3048
تائیده ها:
شرکت فولاد مبارکه
شرکت ساپکو
شرکت سازه گستر سایپا
شرکت نفت و گاز پارس

آزمون خمش بعد از عملیات حرارتی

استاندارد مرجع آزمون: ASME SEC IX (2023)

مقطع نمونه: ضخامت کامل

نوع مقطع آزمون: تخت

ردیف	موقعیت یا محل نمونه برداری	ضخامت * عرض (mm*mm)	قطر ماندلر (mm)	زاویه خمش (درجه)	توضیحات	نتیجه آزمون
1	Side I	50*10	4t	180	هیچگونه عیبی مشاهده نشد	Accept
2	Side II	50*10	4t	180	هیچگونه عیبی مشاهده نشد	Accept
3	Side III	50*10	4t	180	هیچگونه عیبی مشاهده نشد	Accept
4	Side IV	50*10	4t	180	هیچگونه عیبی مشاهده نشد	Accept

مدیر آزمایشگاه مکانیکی
ایمان قبادی
واحد آزمایشگاه
مدیر فنی آزمایشگاه ها
بهنام رحمانی

Foundation Applied Balance Razi • Foundation Applied Balance Razi • Foundation Applied Balance Razi • Foundation Applied Balance Razi

- این بنیاد هیچ گونه مسئولیتی در مورد تطبیق نام نمونه با قطعه آزمون شده ندارد.
- کلیه گزارش ها توسط خط پایانی بسته شده است.
- تکثیر گزارش نتایج آزمون تنها با اجازه بنیاد و به صورت کامل امکان پذیر خواهد بود.
- نتایج فوق تنها برای نمونه های مورد آزمون قابل استناد است.
- باقیمانده نمونه ها تنها به مدت یک ماه نگهداری خواهند شد.
- گزارش های این بنیاد بدون حروف برجسته و هولوگرام فاقد اعتبار است.

تلفکس: ۰۲۱) ۴۹۷۳۲ و ۰۲۱) ۴۶۸۴۱۱۲۱

کد پستی: ۳۷۵۳۱۴۶۱۳۷

تهران، کیلومتر ۲۱ جاده مخصوص کرج، ورودی شهر قدس، بلوار شهید قاسم اصغری خیابان فرمان، پلاک ۲۷

درخواست کننده: مهندسی و فن آوری حرارتی دمافین

آدرس شرکت: تهران کیلومتر ۱۴ جاده مخصوص کرج - بلوار جنوبی ایران خودرو - سخ زامیاد

نام نمونه: PQR,GTAW+SMAW-SAW,A516 Gr:70 Nace MR0175 Thk:50mm,P:2013

شماره پیگیری	۱۲۹۶۲-۱
تاریخ ارائه گزارش	۱۴۰۳/۰۴/۲۷
شماره ویرایش	۰
پیوست	
تاریخ دریافت نمونه	۱۴۰۳/۰۴/۲۲
تاریخ تایید انجام	۱۴۰۳/۰۴/۲۳
شماره نامه مشتری	۱۴۰۳/۱۱۸
تاریخ نامه مشتری	۱۴۰۳/۰۴/۱۷

شماره صفحه: ۷ از ۸

شرایط محیطی: دما: 25C رطوبت: ۴۱٪ نمونه گیری توسط مشتری انجام شده است

ANALITICA
ILAC FULL MEMBER
ISO/IEC 17025 (2017)
Analytica
Accreditation Certificate
No.AAC.A.00223

آزمایشگاه همکار
اداره استاندارد استان تهران
گواهینامه تأیید صلاحیت شماره T/3048
تأییدیه ها:
شرکت فولاد مبارکه
شرکت سایکو
شرکت سازه گستر سایپا
شرکت نفت و گاز پارس

آزمون ضربه بعد از عملیات حرارتی

استاندارد مرجع آزمون: ASTM E23 (2023)

نوع آزمون: Charpy Impact Test

نوع ناچ: V شکل به عمق 2 mm

نوع مقطع قطعه: تخت

ردیف	ابعاد نمونه (mm)	انرژی ضربه J	میانگین J	دمای آزمون °C	موقعیت نمونه برداری	نتیجه
1	10*10*55	196	178	-45	Weld	جدا شد
2	10*10*55	177				جدا شد
3	10*10*55	160				جدا شد
4	10*10*55	163	161		HAZ	جدا شد
5	10*10*55	169				جدا نشد
6	10*10*55	152				جدا نشد
7	10*10*55	52	54		Base Metal	جدا شد
8	10*10*55	52				جدا شد
9	10*10*55	58				جدا شد

مدیر آزمایشگاه مکانیکی
ایمان قبادی
واحد آزمایشگاه
مدیر فنی آزمایشگاه ها
عماد رحمانی

Next Applied Balance Foundation • Next Applied Balance Foundation • Next Applied Balance Foundation • Next Applied Balance Foundation

- این بنیاد هیچ گونه مسئولیتی در مورد تطبیق نام نمونه با قطعه آزمون شده ندارد.
- تکثیر گزارش نتایج آزمون تنها با اجازه بنیاد و به صورت کامل امکان پذیر خواهد بود.
- کلیه گزارش ها توسط خط پایانی بسته شده است.
- نتایج فوق تنها برای نمونه های مورد آزمون قابل استناد است.
- گزارش های این بنیاد بدون حروف برجسته و هولوگرام فاقد اعتبار است.
- باقیمانده نمونه ها تنها به مدت یک ماه نگهداری خواهند شد.

تلفکس: ۴۶۸۴۱۱۲۱ (۰۲۱) و ۴۹۷۲۳۲ (۰۲۱)

کد پستی: ۳۷۵۳۱۴۶۱۳۷

تهران، کیلومتر ۲۱ جاده مخصوص کرج، ورودی شهر قدس، بلوار شهید قاسم اصغری خیابان فرنان، پلاک ۲۷

درخواست کننده: مهندسی و فن آوری حرارتی دماپین

آدرس شرکت: تهران کیلومتر ۱۴ جاده مخصوص کرج - بلوار جنوبی ایران خودرو - خ زامیاد

نام نمونه: PQR,GTAW+SMAW-SAW,A516 Gr:70 Nace MR0175 Thk:50mm,P:2013

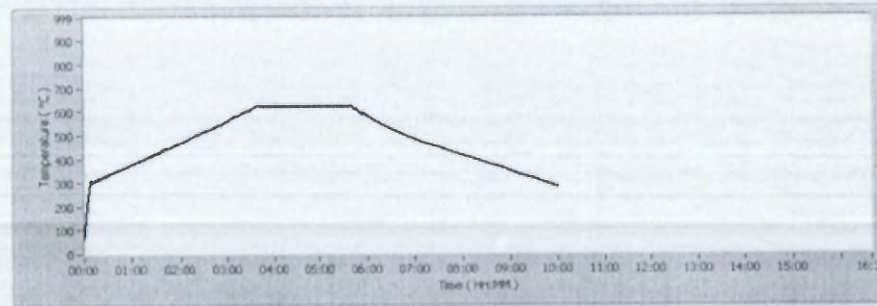
شماره پیگیری	۱۲۹۶۲-۱
تاریخ ارائه گزارش	۱۴۰۳/۰۴/۲۷
شماره ویرایش	۰
پیوست	
تاریخ دریافت نمونه	۱۴۰۳/۰۴/۲۲
تاریخ تایید انجام	۱۴۰۳/۰۴/۲۳
شماره نامه مشتری	۱۴۰۳/۱۱۸
تاریخ نامه مشتری	۱۴۰۳/۰۴/۱۷

شماره صفحه: ۸ از ۸

شرایط محیطی | دما: 25C | رطوبت: ۴۱٪ | نمونه گیری توسط مشتری انجام شده است

سیکل عملیات حرارتی

111 (°C/hr)	سرعت گرم کردن از دمای 300 °C تا دمای 610 °C
2 (hr)	مدت زمان نگهداری در دمای 610 °C
140 (°C/hr)	سرعت سرد کردن از دمای 610 °C تا دمای 300 °C
کوره	محیط سرد کردن



ANALITICA
ISO/IEC 17025 (2017)
Analitica
Accreditation Certificate
No.AAC.A.00223

آزمایشگاه همکار
اناره استاندارد استان تهران
گواهینامه تایید صلاحیت شماره T/3048
تائیدیه ها:
شرکت فولاد مبارکه
شرکت سایکو
شرکت سازه گستر سایبا
شرکت نفت و گاز پارس

مدیر آزمایشگاه های فلزی

ایمان قبادی

مدیر فنی آزمایشگاه ها

بهنام رحمانی

- این بنیاد هیچ گونه مسئولیتی در مورد تطبیق نام نمونه با قطعه آزمون شده ندارد.
- تکثیر گزارش نتایج آزمون تنها با اجازه بنیاد و به صورت کامل امکان پذیر خواهد بود.
- گزارش های این بنیاد بدون حروف برجسته و هولوگرام فاقد اعتبار است.
- نتایج فوق تنها برای نمونه های مورد آزمون قابل استناد است.
- باقیمانده نمونه ها تنها به مدت یک ماه نگهداری خواهند شد.
- کلیه گزارش ها توسط خط پایانی بسته شده است.

PROCEDURE QUALIFICATION RECORD (PQR)
ASME SEC.IX-(2010)

PQR record number : DS11-P042

TEST REPORT: 90-2013
PAGE : 1 OF 2

BASE METALS (QW-403)	Product form	Specification(type or grade)	P.No	Grp.No.	Size	Thick. (mm)	Dia. (inch)
Welded to:	Tube	ASME SA179	1	1	-	2.11	-
	Plate	ASME SA516 Gr.70	1	2	-	25	-

POST WELD HEAT TREATMENT (QW-407)

Temperature (°C)		Time (min)	
Heating Rate (°C/hr) Max.	-	Method	-
Cooling rate (°C/hr) Max.	-	Method	-

JOINTS (QW-402)

Joint design	SINGLE BEVEL GROOVE WELD-T-JOINT	
Backing	...	
Retainers	...	
Groove angle (deg.)	...	
Root opening (mm)	...	
Root face (mm)	...	

WELDING PROCESSES

Welding process	GTAW
Type	AUTOMATIC

POSITION (QW-405)

Position of groove	2G
Weld progression (UP , DOWN)	NA

FILLER METALS(QW-404)

	GTAW
SFA specification	5.18
Classification	ER70S-6
Filler metal F-number	6
Weld metal A-number	1
Filler metal trade name	40-16T
Supplier	AMA
Filler metal size (mm)	0.8
Deposited thickness (mm)	UP TO 8
Maximum pass thickness	...
Flux Trade Name/Supplier	...

PREHEAT (QW-406)

Preheat temperature (Min.°C)	25
Interpass temperature(Max.°C)	50
Other:	Control with tempil stick

TECHNIQUE (QW-410)

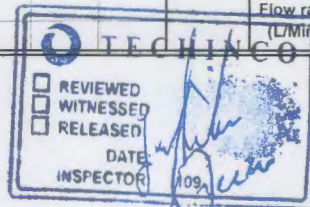
String or weave	STRING
Multi/Single pass per side	SINGLE
Single or multiple electrodes	SINGLE
Initial / inter pass cleaning	NA
Back gouging method	NA

ELECTRICAL CHARACTERISTICS (QW-409)

Pass Number	1-N				
Process	GTAW				
Filler metal class	ER70S-6				
Filler metal size	0.8				
AMP.(A)	120-160				
VOLT(V)	10-16				
Travel speed (mm/min)	100				
Maximum heat input (kJ/in)	18-40				
Tungsten size (mm)	2.4				
Tungsten type	WTh-2				
DC pulsing current					
Wire feed speed					

GAS (QW-408)

Shielding gas:	
Type	ARGON(99.99%)
Flow rate (L/Min)	13
Trailing gas:	
Type	...
Flow rate (L/Min)	...
Backing gas:	
Type	...
Flow rate (L/Min)	...



PROCEDURE QUALIFICATION RECORD (PQR)
ASME SEC.IX-(2010)

PQR record number : DS11-P042

TEST REPORT: 90-2013

PAGE : 1 OF 2

TENSILE TEST (QW-150)

Specimen number	Width (mm)	Thickness(mm)	Ultimate total load (N)	Ultimate unit stress (Mpa)	Type of failure and location
1	-	-	73615	-	WELD
2	-	-	-	-	-

OTHER TEST

Type of test	Acceptance criteria	Result	Comments
Penetrant Test	ASME SEC. IX	SATISFACTORY	No Defect Noted
Macrographic Examination	ASME SEC. IX	SATISFACTORY	No Defect Noted

CERTIFICATION

Welder name	STAMP NO.	TESTS CONDUCTED BY	LABORATORY TEST NO.
Saeed ASADOLLAHI	Tube SA179 to Tube sheet SA516 Gr.70	Jahad Engineering Research Center	90-2013

Prepared by :

Name

Date

Signature



Prepared by :

Name

Date

Signature

Approved by :

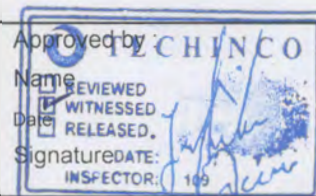
Name

Date

Signature

INSPECTOR:

109



Penetration Test (PT)

Dye Penetration

DS11-P042

Customer	DAMAFIN Co.	Order No	90-2013	Date	2011-11-13
Name of Sample	Tube Thk.2.11mm to tube sheet Thk.25mm for (1054/1055/1056)	Code of Sample	Tube SA179 to Tube sheet SA516 Gr.70	According to	ASME SEC IX
Material	Steel	Heat Treated	Yes <input type="checkbox"/> No <input checked="" type="checkbox"/>	Place of Test	NDT Lab
Illuminance Intensity Gage	Labino EC1 No. 2455	Drawing or ISO	NA	Point of Origin	Marked on sample

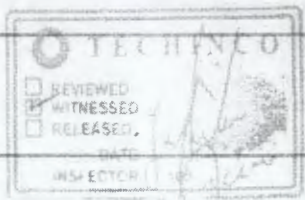
Surface Preparation	Sanding <input type="checkbox"/>	Disk Grinding <input type="checkbox"/>	Stone Grinding <input type="checkbox"/>	Wire Brushing <input checked="" type="checkbox"/>	Surface Temp.(°C)	20 °C
---------------------	----------------------------------	----------------------------------------	-----------------------------------------	---------------------------------------------------	-------------------	--------------

Equipment Used (Type II, Visible, Method C)

Cleaner <input checked="" type="checkbox"/>	Developer <input checked="" type="checkbox"/>	Penetrant <input checked="" type="checkbox"/>	Remover <input type="checkbox"/>	Fixer <input type="checkbox"/>					
Type	SKC-S	Type	SKD-S2	Type	SKL-SP1	Type		Type	
Brand	SPOTCHECK	Brand	SPOTCHECK	Brand	SPOTCHECK	Brand		Brand	
Batch No.	-	Batch No.	-	Batch No.	-	Batch No.		Batch No.	
Applying Time	5 Min	Applying Time	10 Min	Applying Time	15 Min	Applying Time		Applying Time	

Defect	Length	Width	Distance from point of origin
ND	-	-	-

Remarks	Result	Accept <input checked="" type="checkbox"/> Reject <input type="checkbox"/> Acceptance Std. doesn't specified <input type="checkbox"/>
N.D.T Operator:	LAB. MANAGER ASNT NDT Level III (182366)	M. SHOKRI AREFI



*The results relate only to items tested.
 The test report shall not be reproduced except in full, without written approval of the laboratory.
 Research Institute has no branch or office elsewhere.*

LABORATORY

MECHANICAL TEST REPORT

Customer: **DAMAFIN Co.** Order No: **90-2013** **DS11-P042**
 Name of Sample: **Tube Thk.2.11mm to tube sheet** Date: **2011-11-21**
Thk.25mm for (1054/1055/1056)
 According to: **ASME Sec. IX** Code of Sample: **Tube SA179 to Tube sheet**
SA516 Gr.70

Tensile Test

Specimen	Width (mm)	Thickness or Diameter (mm)	Ultimate Load (N)	U.T.S (N/mm ²)	Location of Failure
-	-	-	73615	-	Weld



M. SHOKRI ARFAEL
LAB. MANAGER



➤ The results relate only to items tested.
 ➤ The test report shall not be reproduced except in full, without written approval of the laboratory.



Jahad Engineering Research Center has no branch or representative
 Soliman St, 16km Old Karaj Road, Tehran, Iran
 Tel: (021) 66282071-73 E-mail: info@metallurgylab.com



LABORATORY

MACROGRAPHIC EXAMINATION REPORT

Customer: **DAMAFIN Co.** Order No: **90-2013 DS11-P042**
Name of Sample: **Tube Thk.2.11mm to tube sheet Thk.25mm for (1054/1055/1056)** Date: **2011-11-20**
According to: **ASME Sec. IX** Code of Sample: **Tube SA179 to Tube sheet SA516 Gr.70 /Pipe4/Sample 4**



Fig.1 – Transverse Sec.(10X)

No Defect Noted.
Leak path: 2.4 mm.



M. SHOKRI ARFAEI
LAB. MANAGER



- The results relate only to items tested.
- The test report shall not be reproduced except in full, without written approval of the laboratory.



LABORATORY

MACROGRAPHIC EXAMINATION REPORT

Customer: DAMAFIN Co. Order No: 90-2013 DS11-P042
Name of Sample: Tube Thk.2.11mm to tube sheet Thk.25mm for (1054/1055/1056) Date: 2011-11-20
According to: ASME Sec. IX Code of Sample: Tube SA179 to Tube sheet SA516 Gr.70 /Pipe4/Sample 3

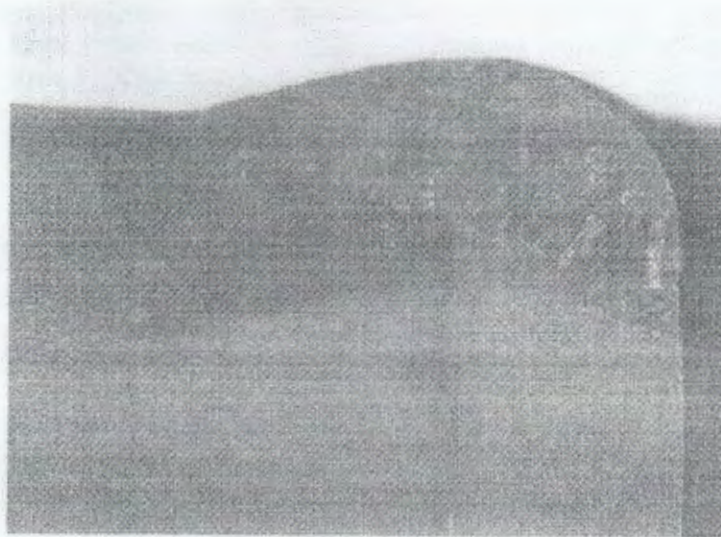
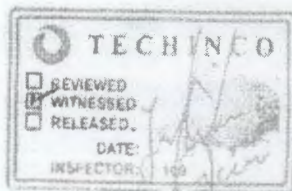
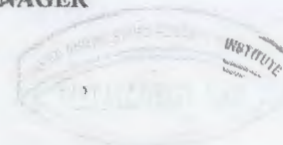


Fig.1 – Transverse Sec.(10X)

No Defect Noted.
Leak path: 2.4 mm



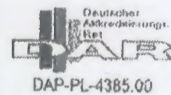
M. Shokri Arfaei
M. SHOKRI ARFAEI
LAB. MANAGER



- The results relate only to items tested.
- The test report shall not be reproduced except in full, without written approval of the laboratory.



Jahad Engineering Research Center has no branch or representative
Soliman St, 16km Old Karaj Road, Tehran, Iran
Tel: (021) 66282071-77 E-mail: info@metallurgylab.com



LABORATORY

MACROGRAPHIC EXAMINATION REPORT

Customer: DAMAFIN Co. Order No: 90-2013 DS11-P042
Name of Sample: Tube Thk.2.11mm to tube sheet Thk.25mm for (1054/1055/1056) Date: 2011-11-20
According to: ASME Sec. IX Code of Sample: Tube SA179 to Tube sheet SA516 Gr.70 /Pipe4/Sample 2

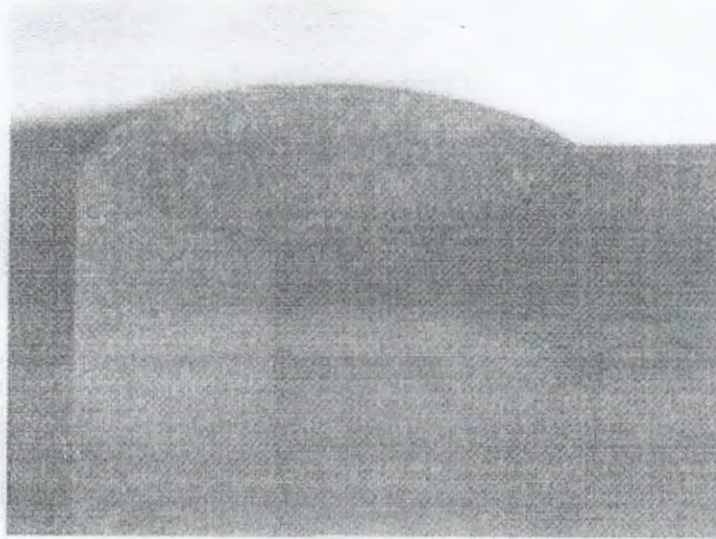


Fig.1 – Transverse Sec.(10X)

Leak path: 2.4 mm.

No Defect Noted.



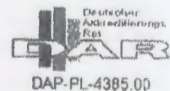
M. SHOKRI ARFAEI
LAB MANAGER



➤ The results relate only to items tested.
➤ The test report shall not be reproduced except in full, without written approval of the laboratory.



Jahad Engineering Research Center has no branch or representative
✓ Soliman St, 16km Old Karam Road, Tehran, Iran
Tel: (021) 66282071-77 E-mail: info@metallurgylab.com



LABORATORY

MACROGRAPHIC EXAMINATION REPORT

Customer: DAMAFIN Co. Order No: 90-2013 DS11-P042
Name of Sample: Tube Thk.2.11mm to tube sheet Thk.25mm for (1054/1055/1056) Date: 2011-11-20
According to: ASME Sec. IX Code of Sample: Tube SA179 to Tube sheet SA516 Gr.70 /Pipe4/Sample 1



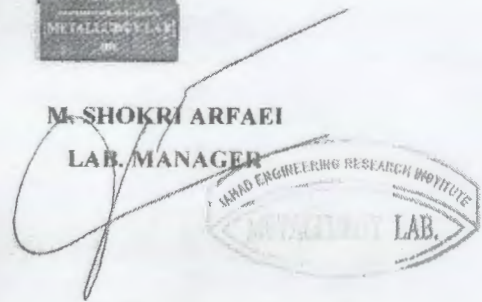
Fig.1 – Transverse Sec.(10X)

Leak path: 2.4 mm.

No Defect Noted.



M. SHOKRI ARFAEI
LAB. MANAGER



- The results relate only to items tested.
- The test report shall not be reproduced except in full, without written approval of the laboratory.

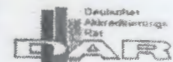


Jahad Engineering Research Center has no branch or representative

✓ Soliran St, 16km Old Karaj Road, Tehran, Iran

Tel: (021) 66282071-77 E-mail: info@metallurgylab.com

F54 (2)



DAP-PL-4385 00