



Toase-ehe Park Sanati Gohar Ofogh
Petrochemical Co.
**CONCEPTUAL, BASIC and DETAIL DESIGN
ENGINEERING OF STYRENE PARK OFFSITE**



Document Title: Package / Compressor Motor Data Sheet & Drawing

Document No.: EI027-HSE-VD – EL– DSH– 001-R0

Rev. R0

Page 1 of 4

Commented

STYRENE PARK OFFSITE

Document Title:
Compressor Motor Data Sheet & Drawing

R0	24-03-2024	IFA	F.SH	M.O	A.M
Rev.	Issued Date	DESCRIPTION	PREPARED	CHECKED	APPROVED



Toase-eh Park Sanati Gohar Ofogh
 Petrochemical Co.
**CONCEPTUAL, BASIC and DETAIL DESIGN
 ENGINEERING OF STYRENE PARK OFFSITE**



Document Title: Package / Compressor Motor Data Sheet & Drawing

Document No.: EI027-HSE-VD – EL– DSH– 001-R0

Rev. R0

Page 2 of 4

REVISION RECORD SHEET

Page Page	Revisions							Page	Revisions						
	R0	R1	R2	R3	R4	R5	R6		R0	R1	R2	R3	R4	R5	R6
1	X							41							
2	X							42							
3	X							43							
4	X							44							
5								45							
6								46							
7								47							
8								48							
9								49							
10								50							
11								51							
12								52							
13								53							
14								54							
15								55							
16								56							
17								57							
18								58							
19								59							
20								60							
21								61							
22								62							
23								63							
24								64							
25								65							
26								66							
27								67							
28								68							
29								69							
30								70							
31								71							
32								72							
33								73							
34								74							
35								75							
36								76							
37								77							
38								78							
39								79							

Three-phase induction motor with squirrel cage rotor
 Drehstromasynchronmotor mit Kurzschlußläufer

Electrical data / Elektrische Daten

Rated motor power / Bemessungsleistung	kW	120		
Rated motor voltage / Bemessungsspannung	V	Δ 400	Y 690	
Rated voltage tolerance / Bemessungsspannungsbereich		Zone A (V: ±5%; f: ±2%)		
Rated frequency / Bemessungsfrequenz	Hz	50		
Number of poles / Polzahl		2		
Rated motor speed / Bemessungsdrehzahl	rpm	2982		
Rated motor current / Bemessungsstrom	A	199	115	
Power factor / Leistungsfaktor (at / bei 100% - 75% - 50%)		0,91	0,89	0,86
Efficiency / Wirkungsgrad (at / bei 100% - 75% - 50%)		95,4%	95,5%	95,2%
Efficiency / Wirkungsgrad		IE3		
Breakdown-/Rated torque / Kipp-/Bemessungsmoment (Tb/Tn)		3,4		
Starting-/Rated torque / Anzugs-/Bemessungsmoment (Ts/Tn)		2,7		
Starting-/Rated current / Anzugs-/Bemessungsstrom (Is/In)		7,9		

RTD Numbers to be specified
 Vendor reply: PTC is considered as per below

Mechanical Data

Motor inertia / Rotationsmoment	kg	880		
	kgm ²	1,6		
Direction of rotation (from DE side) / Drehrichtung (von A-Seite)		both / beide		
Balance / Wuchtart		Half-key / Halbkeil		
Vibration grade / Schwinggrößenstufe		A		
Bearing / Lagerart		Anti-friction bearing		
Bearing type DE / Lagertyp AS		6316.C3		
Relubrication DE / Nachschmierung AS	h	3000	g	30,0
Bearing type NDE / Lagertyp BS		6316.C3		
Relubrication NDE / Nachschmierung BS	h	3000	g	30,0
		Esso Unirex N3		

Nominal Power (KW) To be Specified .
 Vendor reply: Rated Power is already specified as 120KW.

Type of construction / Bauform		315M		
		IM B3		
Material of housing / Gehäusematerial		Cast iron / Grauguß		
Material of terminal box / Klemmenkastenmaterial		Cast iron / Grauguß		
Degree of protection / Schutzart		IP55		
		IC411		
		F / B		
		S1		
bei 1 m	dB(A)	75,0		
		RAL 5010		
		EN 60034-1		
		Exec IIC T3 Gc		

Ex. Protection To be considered Exde , IIC , T4
 Vendor reply: As per approved Package Data sheet and MOM dated 8-Jan-24, Exec is agreed between Parties and motors are already ordered. This is also in line with Specification which Exe motors can be used for Zone 2

Site Condition to be applied acc. to Project Specifications
 Vendor reply: +5-48C is considered as per agreed package DS and MOM dated 8-Jan-24

°C	-20	+48
m	1000	

Accessories / Zubehör

Thermal protection / Temperaturüberwachung		3 x PTC / Kaltleiter		
Space heater / Stillstandsheizung	V	230	W	109

The rating plate values may vary from the calculated values. / Abweichungen zwischen berechneten und Leistungsschilddaten sind möglich.

Type	Identification	Prepared	Date	Checked	Revision	Status	Sheet
NDOR315M-02-3G	11032400795	Na	06.03.24	PR	00	C	1/1

1 2 3 4 5 6 7 8

A

B

C

D

E

F

A

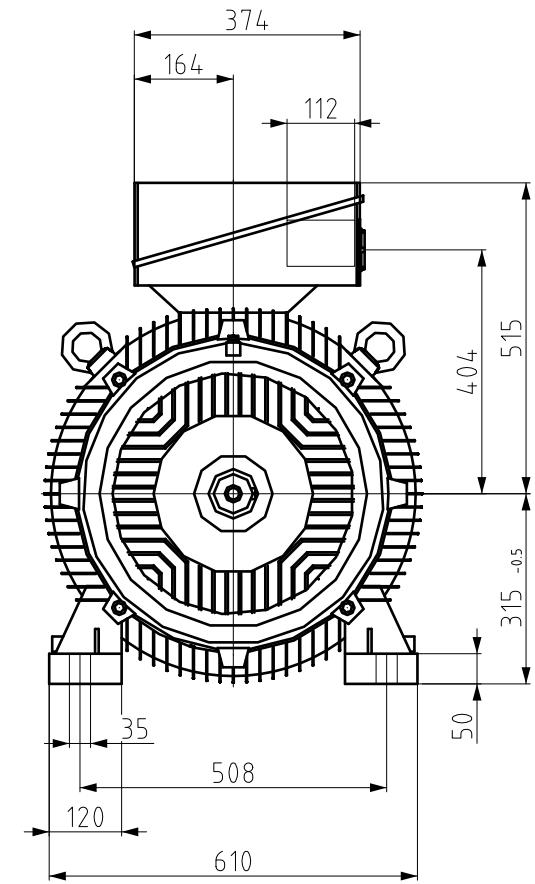
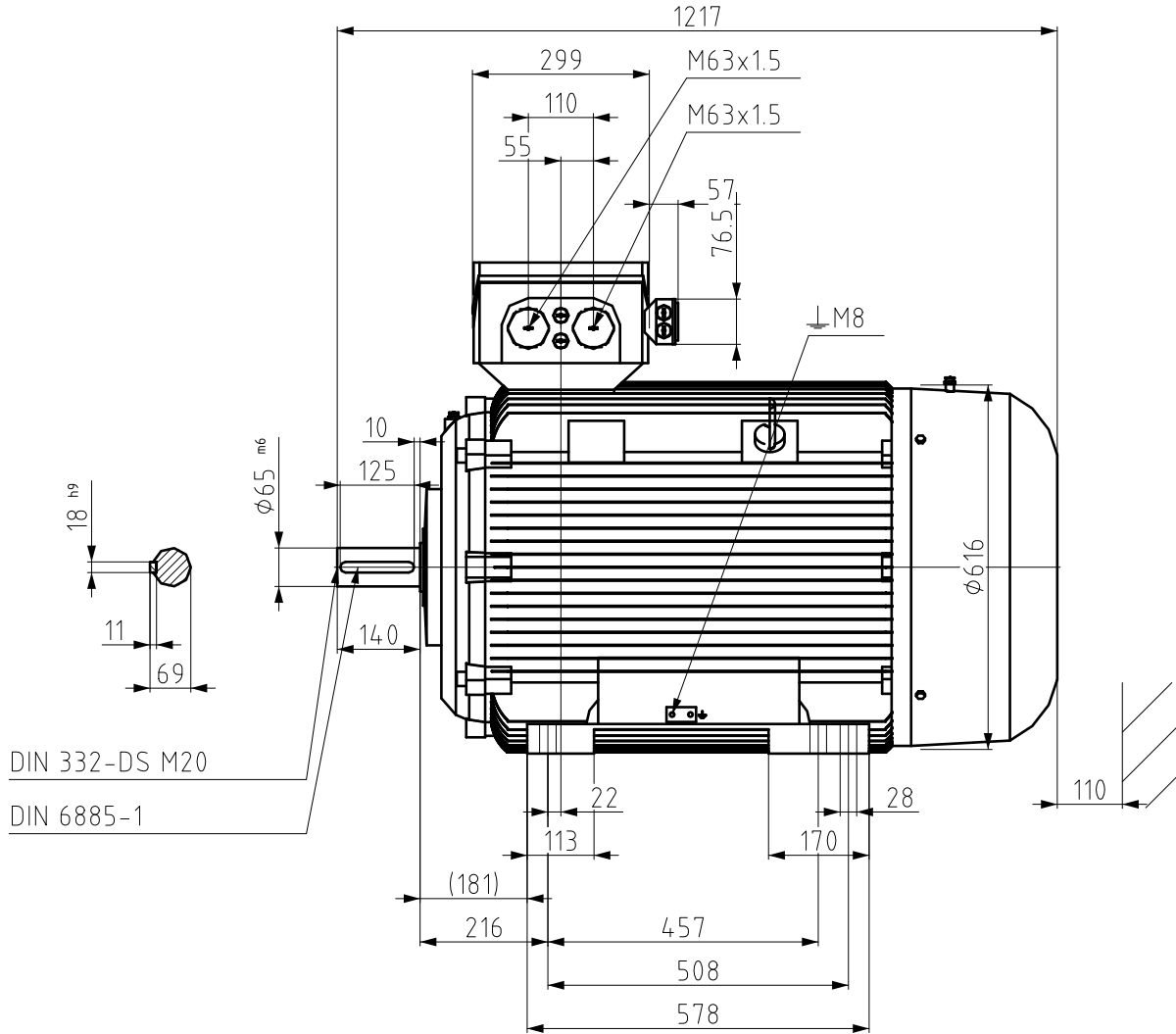
B

C

D

E

F



DIN 332-DS M20
DIN 6885-1

Massbild unverbindlich.
Änderungen konstruktiver Einzelheiten vorbehalten.
Dimension Drawing subject to change.
We reserve the right to change constructional details.



NDOR315M-02-3G

11032400795

Zust.	Änderung		Datum	Name	Anschlussbolzen		Bearb.	06.03.2024	Na	Blatt
	Maßstab	CAD	Bauform	Kühlart	Schutzart		Gepr.	06.03.2024	Pr	1
			IM B3	IC 411	IP 55					

1 2 3 4 5 6 7 8