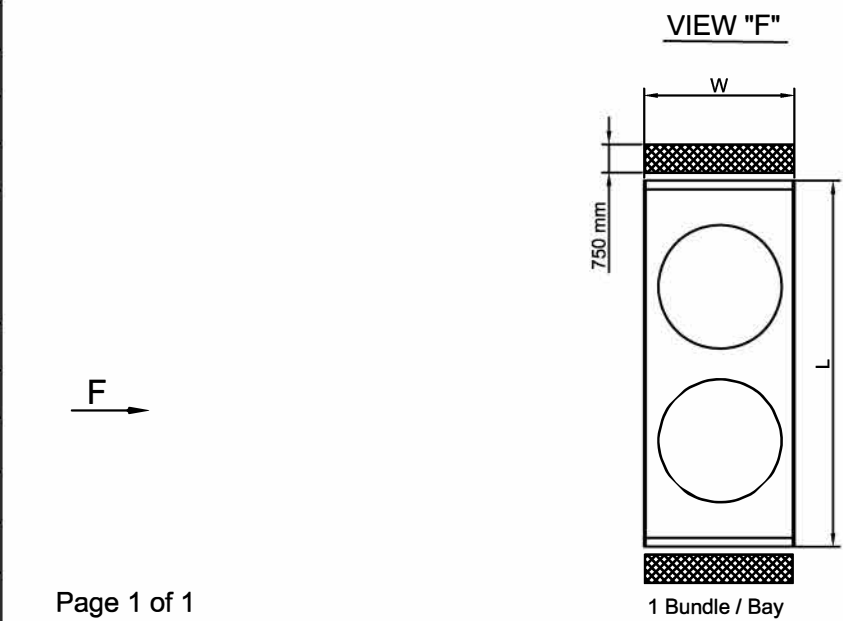
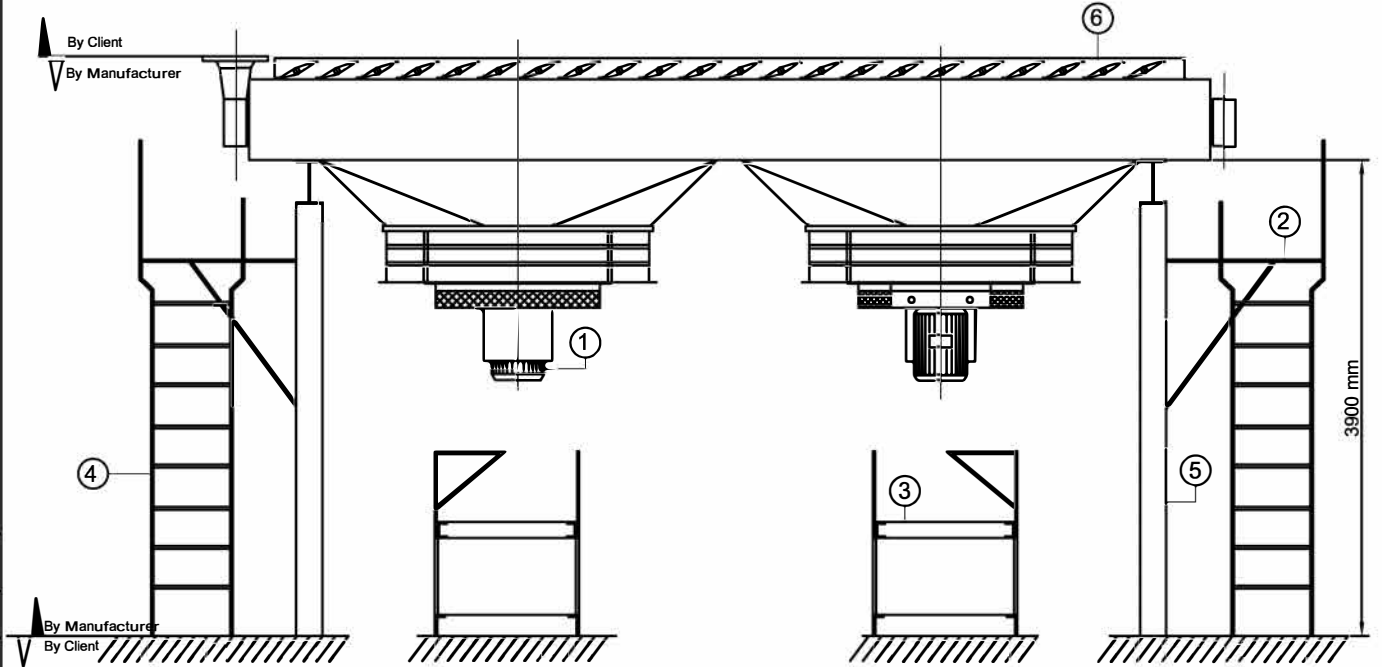


ITEM	TOTAL UNITS	BAY PER UNIT	BUNDLE PER BAY	W(mm) PER BAY	L(mm)
Air cooler	2	1	1	2650	6400

## PRELIMINARY GENERAL ARRANGEMENT ( FORCED DRAFT )



ACCESSORIES		YES	NO
1	MOTORS	*	
2	HEADER WALKWAYS	*	
3	FAN DRIVE ASSEMBLY SERVICE WALKWAYS		*
4	LADDER FOR HEADER WALKWAY	*	
5	STEEL STRUCTURE	*	
6	LOUVER		*

CUSTOMER : ENER Teknoloji  
 SITE :

	0	February 27, 2024
	REV.	DATE

F →