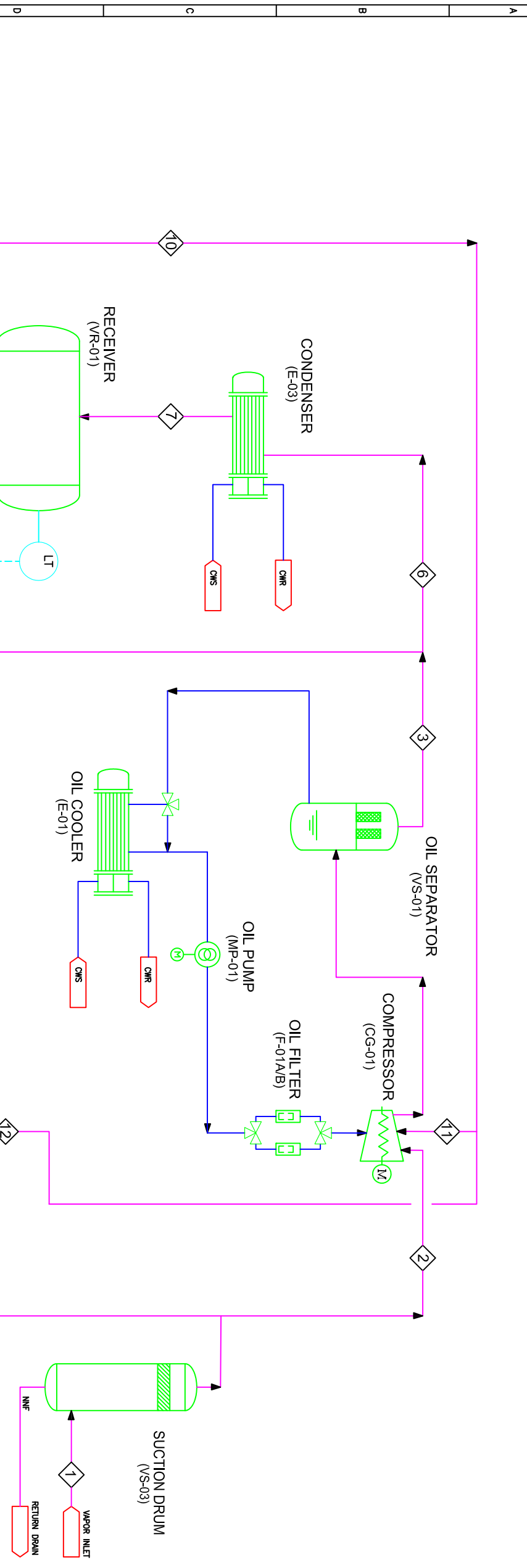


NOTES

- PRESSURE CONTROLLER OUTPUT SIGNAL WILL BE SENT TO REFRIGERATION PACKAGE BY CLIENT TO CONTROL COMPRESSOR LOADING AS TO MAINTAIN PRESSURE OF AMMONIA STORAGE TANK CONSTANT.



NORMAL OPERATION -Density 0.66 kg/m<sup>3</sup>

	1	2	3	4	5	6	7	8	9	10	11	12	13	14
TEMP. °C	-8.83	-8.83	72.30	-8.83	72.30	72.30	41.28	41.28	-8.83	-8.98	-8.99	-8.99	-3.66	-36.65
PRESS. barA	0.83	0.83	16.47	0.83	16.47	16.13	16.08	16.08	3.05	3.03	3.03	3.03	15.62	0.86
MASS FLOW kg/h	1042.60	521.30	632.80	521.30	632.80	1265.60	1265.60	1042.60	223.00	223.00	111.50	111.50	1042.60	1042.60
DENSITY kg/m <sup>3</sup>	0.82	0.82	10.73	0.82	10.73	10.70	576.26	576.26	2.43 / 649.6	2.43	2.43	2.43	642.6	0.755 / 685.4
V.F.	1.00	1.00	1.00	1.00	1.00	1.00	0.00	0.00	0.193	1.00	1.00	1.00	0.00	0.1182

LEGEND

REFERENCE DRAWINGS

DWG. No.

VENDOR: VENDOR DOC. NO:

Rev.	Date	Class	Purpose of Issue	Prepared by	Checked by	Approved by
01	5/25/2024	IFA	ISSUED FOR APPROVAL	A.K.	M.O.	A.M.
00		IFA	ISSUED FOR APPROVAL	A.K.	M.O.	A.M.

OWNER:

PROJECT:

CONTRACTOR:

DRAWING TITLE: PROCESS FLOW DIAGRAM

NORMAL OPERATION -Density 0.66 kg/m<sup>3</sup>

Rev.	Size	Scale	Sheet No.
01	A3	NTS	1 OF 1