










Contractor: 	Dehdasht Petrochemical PROJECT	OWNER: 
Vendor: 	Document Title Compressor Drawing	
Document Number:		DPIC-12-001/000-4150-ME-DWG-023
Document Title:		Compressor Drawing

Document Title Compressor Drawing

PURCHASER'S COMMENT/APPROVAL STATUS						Purchaser: NARGAN Requisition No.: DPIC98-12-001-000-ME-MR-4150-0001-D1 Item No. (Tag No.): PK-6101 Vendor Doc. No.: DPIC-12-001/000-4150-ME-DWG-023
1	AP: Approved (Released for Manufacturing)					
2	AN: Approved With Minor Comments (Fabrication may Proceed)					
	NF: Approved With Comments (Fabrication not Proceed)					
4	RJ: Rejected					
5	NR: Not be Returned					
Date: 18.10.2021 Signature: A.AB						
						
D0	17-Oct-21	IFA				
REV	DATE ISSUE	Purpose of Issue	PREPARED	CHECKED	APPROVED	

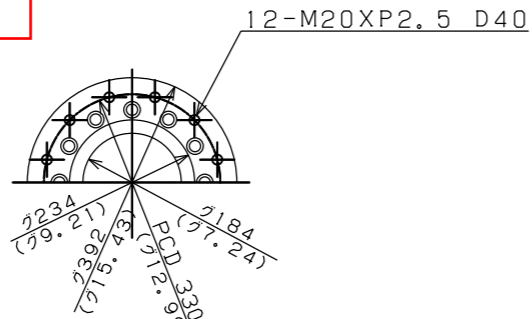
Contractor: 	Dehdasht Petrochemical PROJECT	OWNER: 
Vendor: 		Document Title Compressor Drawing
Document Number:		
Document Title:		Compressor Drawing

TABULATION OF REVISED PAGES

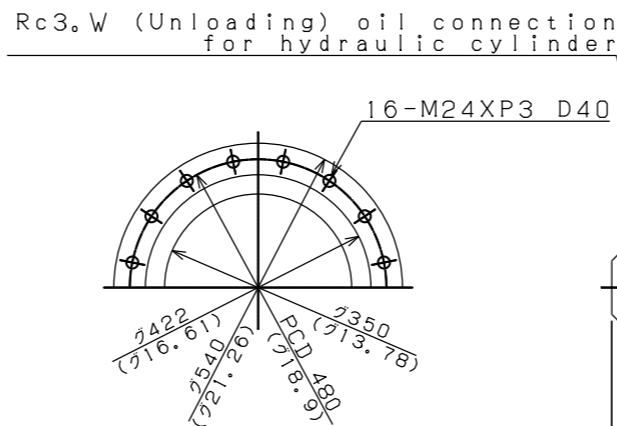
Page	Rev-D0	Rev-D1	Rev-D2	Rev-D3	Rev-D4
1	x				
2	x				
3	x				
4					
5					
6					
7					
8					
9					
10					
11					
12					
13					
14					
15					
16					
17					
18					
19					
20					
21					
22					
23					
24					
25					
26					
27					
28					
29					
30					
31					
32					
33					
34					
35					

Page	Rev-D0	Rev-D1	Rev-D2	Rev-D3	Rev-D4
36					
37					
38					
39					
40					
41					
42					
43					
44					
45					
46					
47					
48					
49					
50					
51					
52					
53					
54					
55					
56					
57					
58					
59					
60					
61					
62					
63					
64					
65					
66					
67					
68					
69					
70					

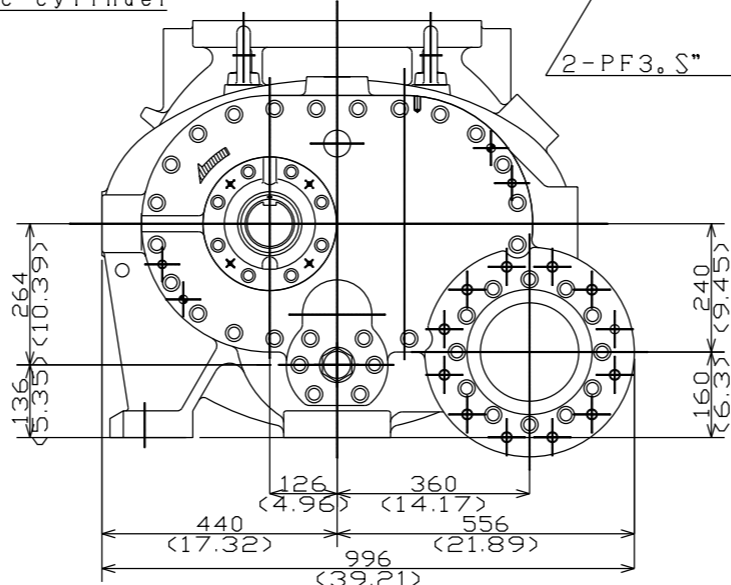
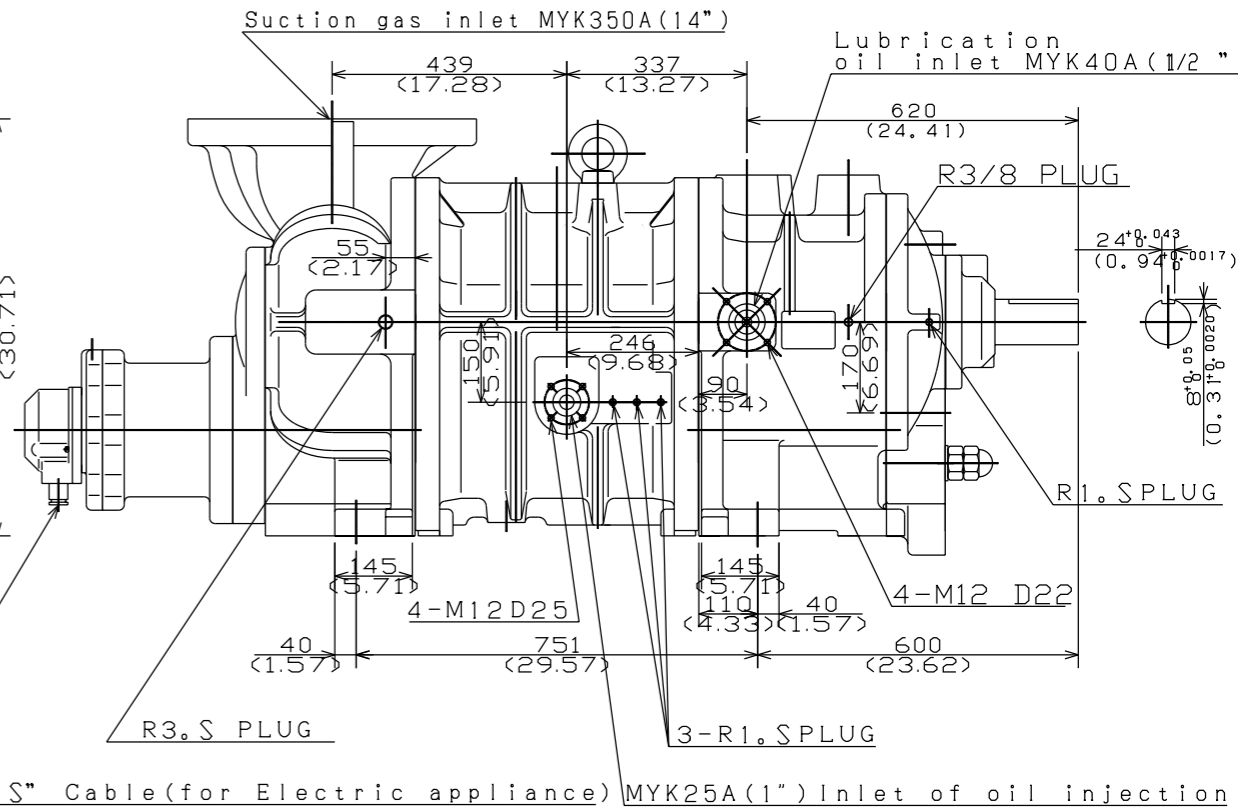
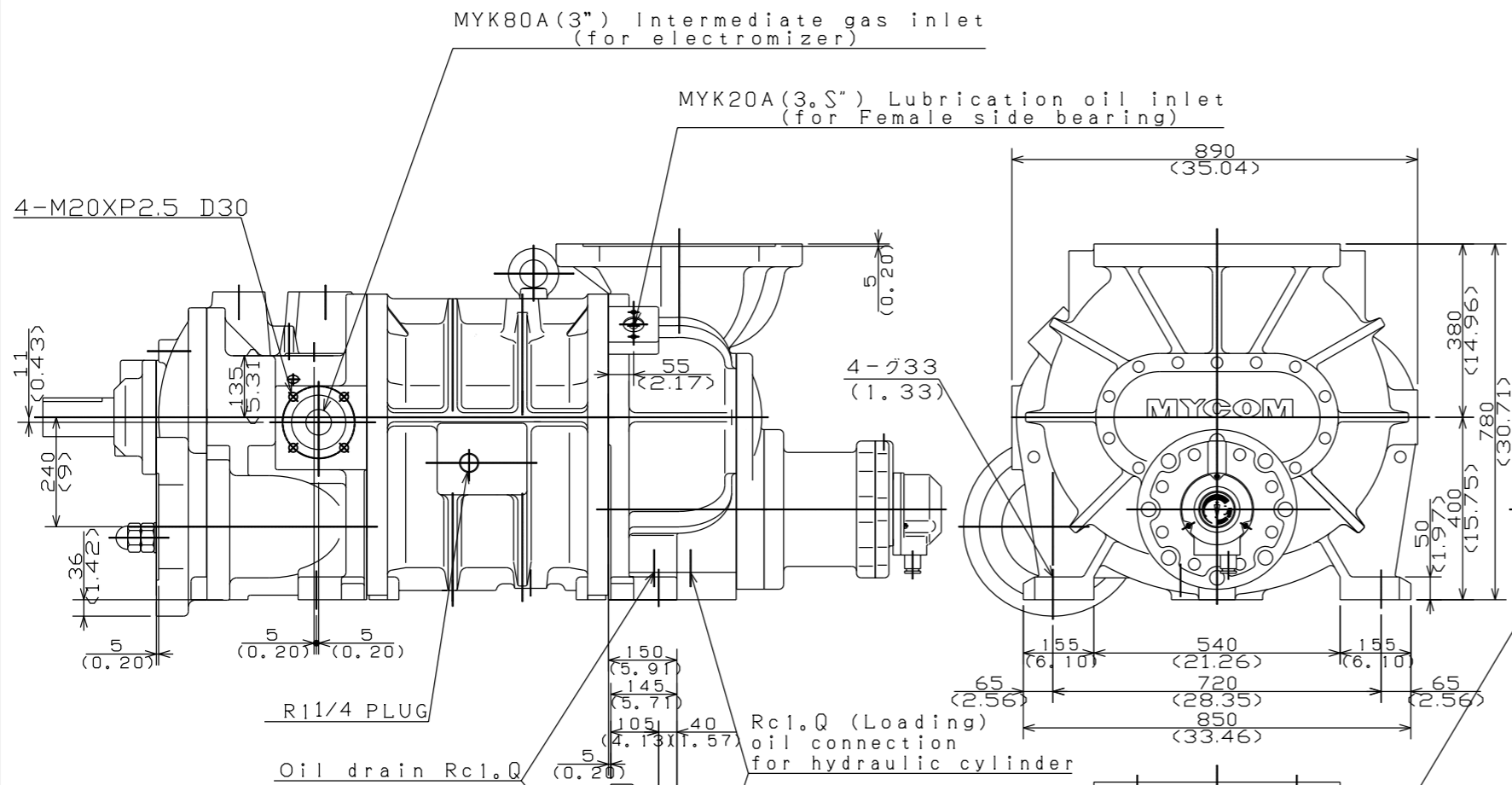
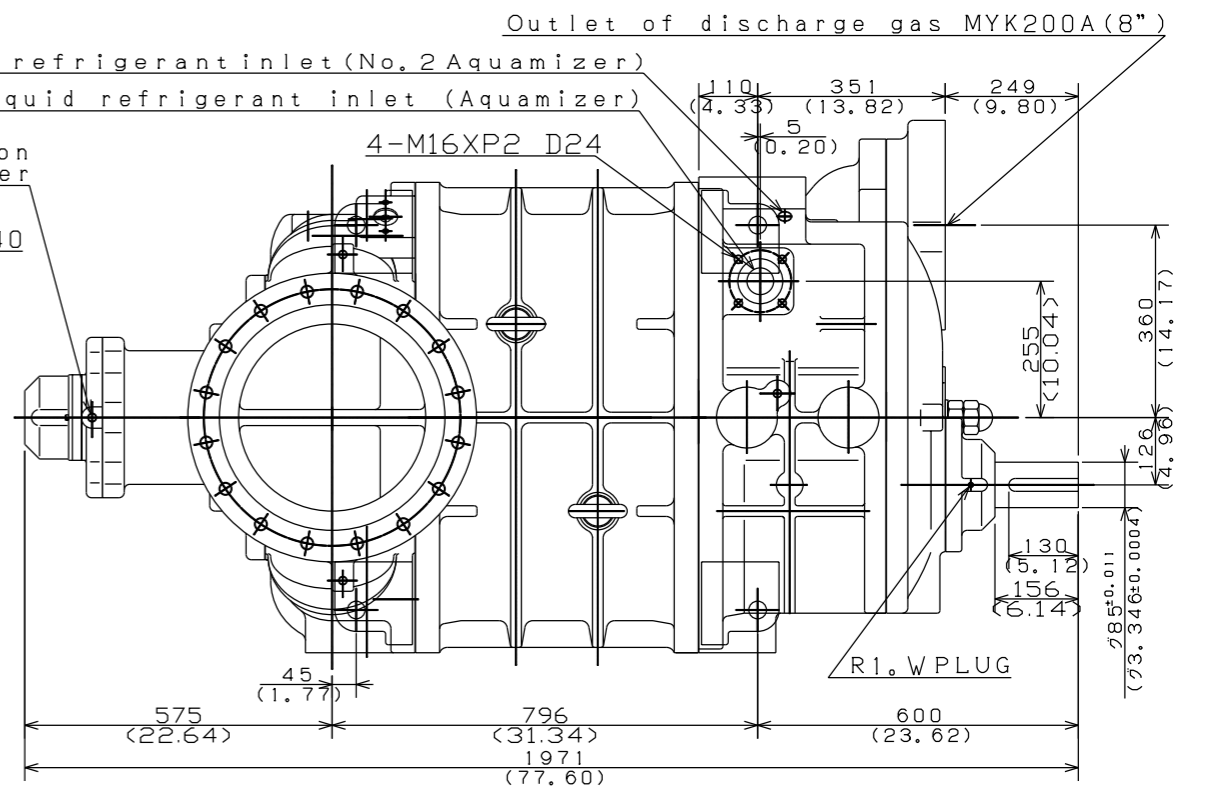
Please add bill of material with ASTM number within part number of compressor



Discharge side MYK200A(8")



Suction side MYK350A(14")



All dimensions are in millimeters
All figures in the brackets are in inches

Weight: 2640kgf

△	記	事	年月	担	当	検	図
---	---	---	----	---	---	---	---

国名 NAME	OUTER DIMENSION 320VLD-X(E, I)		設計 DESIGNED	検 CHECKED	認 APPROVED
国名 NO.	3240D100X00		設計 DATE	Jun. 16, 1997	
MYCOM			M. IKEHARA Y. MATSUDA		MAYEKAWA MFG. CO., LTD. MORIYA FACTORY