




DEHDASHT PETROCHEMICAL INDUSTRY COMPANY
DEHDASHT HIGH DENSITY POLYETHYLENE PROJECT



Contract No.: DPIC/98-12	DOCUMENT TITLE: GENERAL ARRANGMENT DRAWING	POI: IFA	Rev.: D0
	DOCUMENT No: DPIC9812-000-VD-1002-ME-GAD-0012	Sheet 1 of 6	

GENERAL ARRANGMENT DRAWING

PURCHASER'S COMMENT/APPROVAL STATUS						Purchaser: NARGAN
1	AP: Approved (Released for Manufacturing)					
2	AN: Approved With Minor Comments (Fabrication may Proceed)					
3	NF: Approved With Comments (Fabrication not Proceed)					
4	RJ: Rejected					Item No. (Tag No.): PK-6101
5	NR: Not be Returned					
Date: XX.XX.XX		Signature:				Vendor Doc. No.: DPIC9812-000-VD-1002-ME-GAD-0012-D0
						
D0	11-DEC-21	IFA	M.NAZARSHOAR	M.NAZARSHOAR	DR.A.NEJATI	
REV.	DATE ISSUE	Purpose of Issue	PREPARED	CHECKED	APPROVED	

This document is the property of DPIC. Any unauthorized attempt to reproduce it, in any form, is strictly prohibited.



DEHDASHT PETROCHEMICAL INDUSTRY COMPANY
DEHDASHT HIGH DENSITY POLYETHYLENE PROJECT



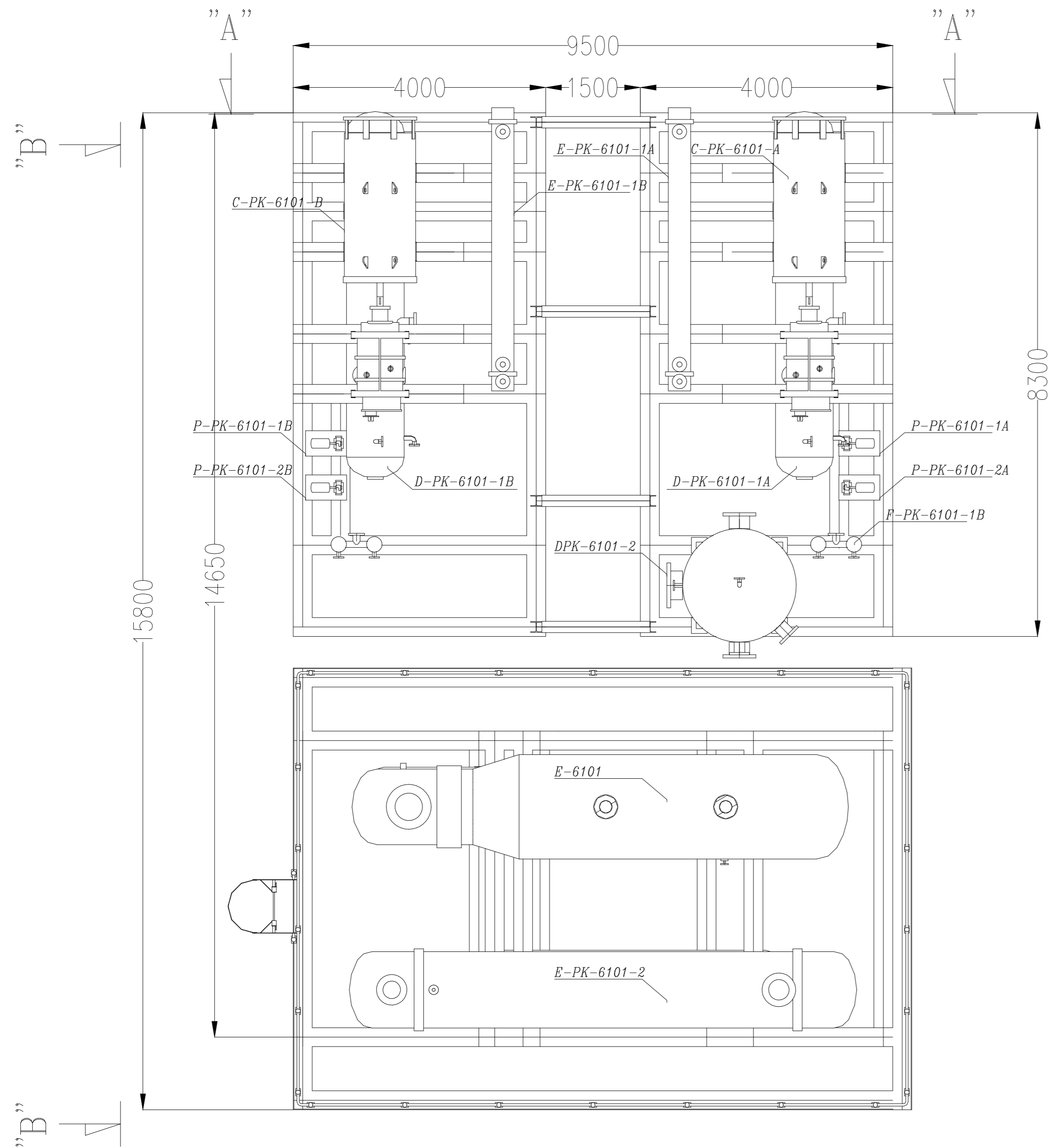
Contract No.: DPIC/98-12	DOCUMENT TITLE: GENERAL ARRANGMENT DRAWING	POI: IFA	Rev.: D0
	DOCUMENT No: DPIC9812-000-VD-1002-ME-GAD-0012	Sheet 2 of 6	

TABULATION OF REVISED PAGES

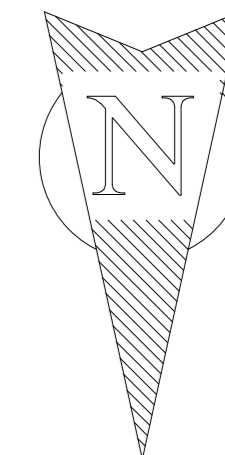
Page	Rev-D0	Rev-D1	Rev-D2	Rev-D3	Rev-D4
1	x				
2	x				
3	x				
4	x				
5	x				
6	x				
7					
8					
9					
10					
11					
12					
13					
14					
15					
16					
17					
18					
19					
20					
21					
22					
23					
24					
25					
26					
27					
28					
29					
30					
31					
32					
33					
34					
35					

Page	Rev-D0	Rev-D1	Rev-D2	Rev-D3	Rev-D4
36					
37					
38					
39					
40					
41					
42					
43					
44					
45					
46					
47					
48					
49					
50					
51					
52					
53					
54					
55					
56					
57					
58					
59					
60					
61					
62					
63					
64					
65					
66					
67					
68					
69					
70					

This document is the property of DPIC. Any unauthorized attempt to reproduce it, in any form, is strictly prohibited.



NOTES



CLIENT: 	MC 	CONTRACTOR:
-------------	--------	-----------------

This document is the property of DPIC. Any unauthorized attempt to reproduce it, in any form, is strictly prohibited.

PROJECT TITLE:
**DEHDASHT PETROCHEMICAL INDUSTRY COMPANY
DEHDASHT HIGH DENSITY POLYETHYLENE PROJECT**

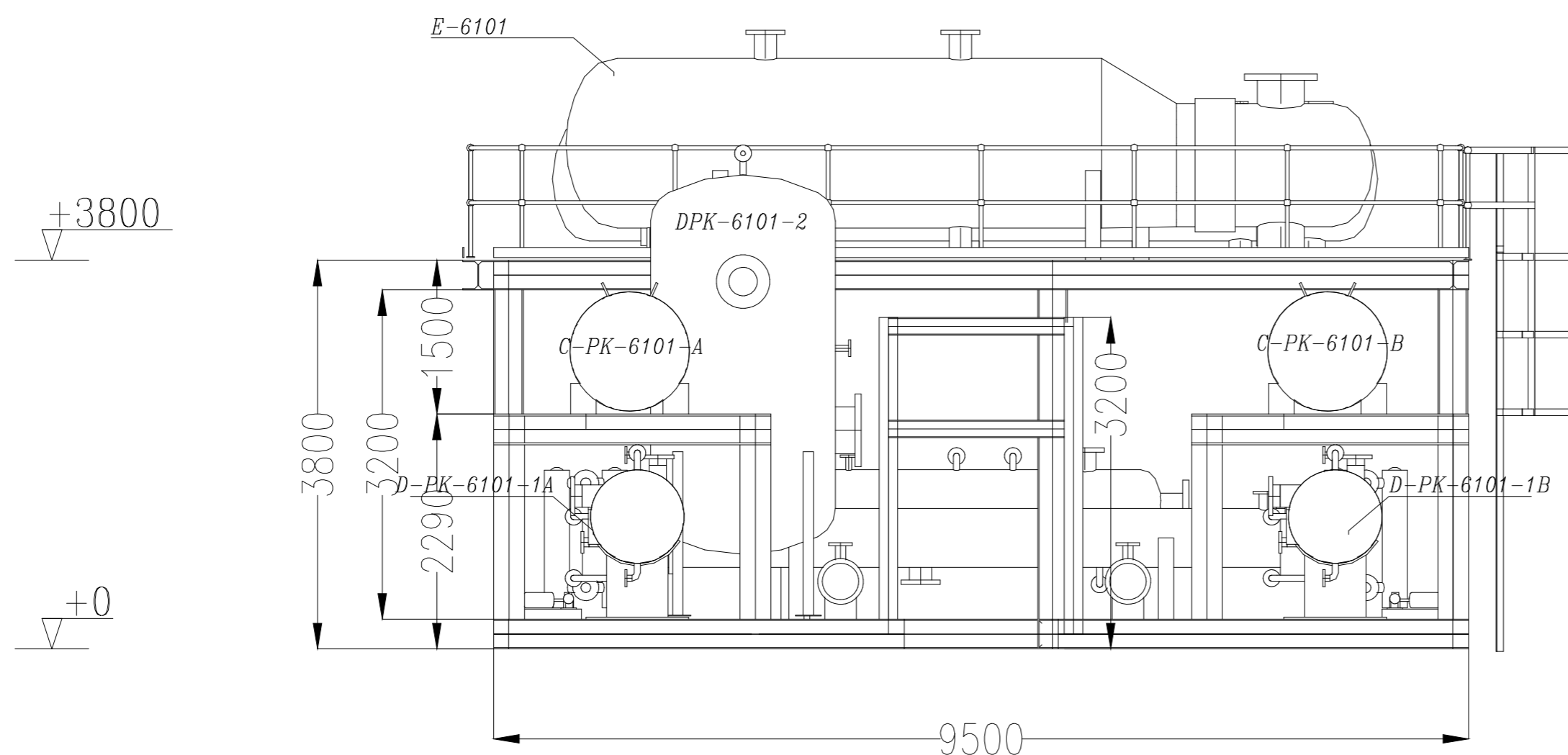
DRAWING TITLE:
GENERAL ARRANGEMENT DRAWING

DOCUMENT No: **DPIC9812-000-VD-1002-ME-GAD-0012** SC. 1:50
SIZE: A2

Proj. Code	Area No.	VD	Material Code	PO No.	Disc. Code	Doc. Type	Serial No.	Rev.	Sheet No.
DPIC9812	000	VD	4150	1002	ME	GAD	0012	D0	3 OF 6

PURCHASER'S COMMENT/APPROVAL STATUS		PURCHASER:
1. AP: Approved (Released for Manufacturing)		REQUISITION NO.: DPIC98-12-001-000-ME-MR-4150-0001-D3 ITEM NO. (TAG NO.): PK-6101 VENDOR DOC. NO.: DPIC9812-000-VD-1002-ME-GAD-0012-D0
2. AN: Approved With Minor Comments (Fabrication may Proceed)		
3. NF: Approved With Comments (Fabrication not Proceed)		
4. RJ: Rejected		
5. NR: Not be Returned		
Date: XX.XX.XX	Signature:	

DO	11-DEC-21	ISSUE FOR APPROVAL	M.NAZARSHOAR	M.NAZARSHOAR	DR.A.NEJATI	KASRAVAND CO.
REV	DATE	DESCRIPTION	PREP'D	CHK'D	APP'D	



”SEC A-A”

CLIENT:	MC	CONTRACTOR:

This document is the property of DPIC. Any unauthorized attempt to reproduce it, in any form, is strictly prohibited.

PROJECT TITLE:
**DEHDASHT PETROCHEMICAL INDUSTRY COMPANY
 DEHDASHT HIGH DENSITY POLYETHYLENE PROJECT**

DRAWING TITLE:
GENERAL ARRANGEMENT DRAWING

DOCUMENT No: **DPIC9812-000-VD-1002-ME-GAD-0012** SC. 1:50
 SIZE: A2

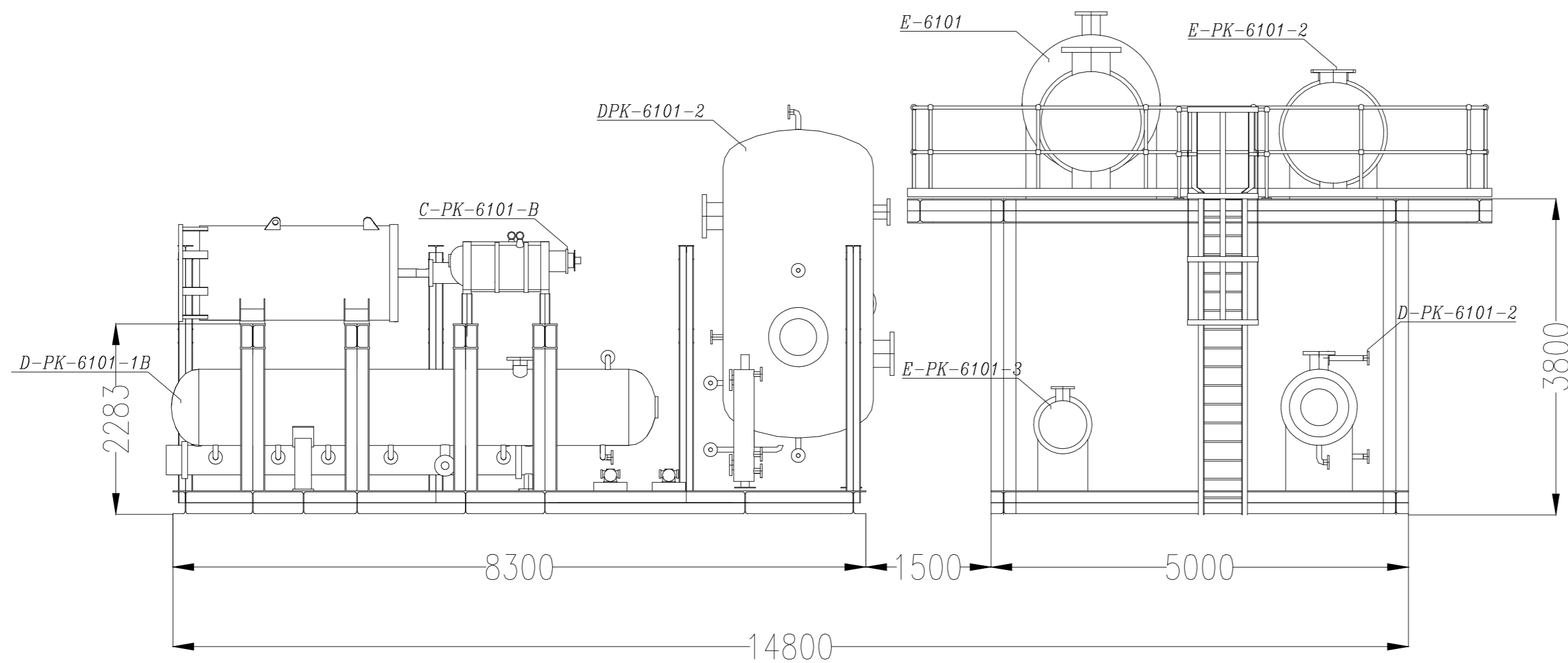
Proj. Code	Area No.	VD	Material Code	PO No.	Disc. Code	Doc. Type	Serial No.	Rev.	Sheet No.
DPIC9812	000	VD	4150	1002	ME	GAD	0012	D0	4 OF 6

PURCHASER'S COMMENT/APPROVAL STATUS		PURCHASER:
1. AP: Approved (Released for Manufacturing)		
2. AN: Approved With Minor Comments (Fabrication may Proceed)		
3. NF: Approved With Comments (Fabrication not Proceed)	REQUISITION NO.: DPIC98-12-001-000-ME-MR-4150-0001-D3	
4. RJ: Rejected		
5. NR: Not be Returned	ITEM NO. (TAG NO.): PK-6101	
Date : XX.XX.XX	Signature :	VENDOR DOC. NO.: DPIC9812-000-VD-1002-ME-GAD-0012-D0

KASRAVAND CO.

DO	11-DEC-21	ISSUE FOR APPROVAL	M.NAZARSHOAR	M.NAZARSHOAR	DR.A.NEJATI
REV	DATE	DESCRIPTION	PREP'D	CHK'D	APP'D

NOTES



"SEC B-B"

CLIENT: 	MC 	CONTRACTOR: 
--	---	--

This document is the property of DPIC. Any unauthorized attempt to reproduce it, in any form, is strictly prohibited.

PROJECT TITLE:
**DEHDASHT PETROCHEMICAL INDUSTRY COMPANY
DEHDASHT HIGH DENSITY POLYETHYLENE PROJECT**

DRAWING TITLE:
GENERAL ARRANGEMENT DRAWING

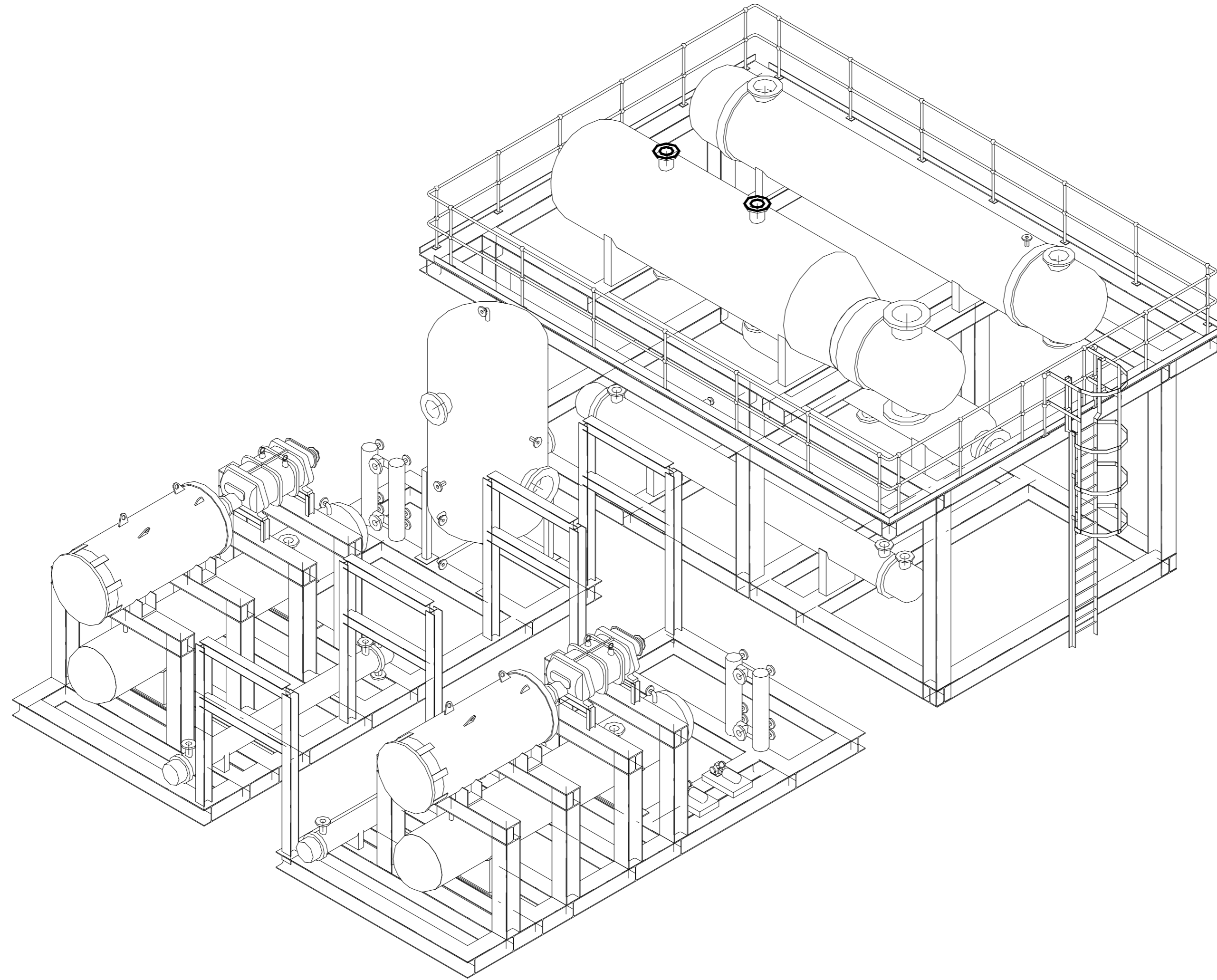
DOCUMENT No.: **DPIC9812-000-VD-1002-ME-GAD-0012** SC. 1:50
SIZE: A2

Proj. Code	Area No.	VD	Material Code	PO No.	Disc. Code	Doc. Type	Serial No.	Rev.	Sheet No.
DPIC9812	000	VD	4150	1002	ME	GAD	0012	D0	5 OF 6

PURCHASER'S COMMENT/APPROVAL STATUS		PURCHASER:	
1. AP: Approved (Released for Manufacturing)			
2. AN: Approved With Minor Comments (Fabrication may Proceed)		REQUISITION NO.: DPIC98-12-001-000-ME-MR-4150-0001-D3	
3. NF: Approved With Comments (Fabrication not Proceed)			
4. RJ: Rejected		ITEM NO. (TAG NO.): PK-6101	
5. NR: Not be Returned		VENDOR DOC. NO.: DPIC9812-000-VD-1002-ME-GAD-0012-D0	
Date: XX.XX.XX	Signature:		

DO	11-DEC-21	ISSUE FOR APPROVAL	M.NAZARSHOAR	M.NAZARSHOAR	DR.A.NEJATI	KASRAVAND CO.
REV	DATE	DESCRIPTION	PREP'D	CHK'D	APP'D	

 KASRAVAND
Engineering & Construction



NOTES

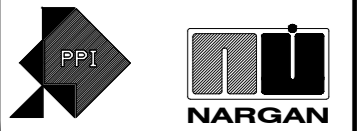
CLIENT:



MC



CONTRACTOR:



This document is the property of DPIC. Any unauthorized attempt to reproduce it, in any form, is strictly prohibited.

PROJECT TITLE:

DEHDASHT PETROCHEMICAL INDUSTRY COMPANY
DEHDASHT HIGH DENSITY POLYETHYLENE PROJECT

DRAWING TITLE:

GENERAL ARRANGEMENT DRAWING

DOCUMENT No:

DPIC9812-000-VD-1002-ME-GAD-0012

SC. 1:50

SIZE: A2

Proj. Code	Area No.	VD	Material Code	PO No.	Disc. Code	Doc. Type	Serial No.	Rev.	Sheet No.
DPIC9812	000	VD	4150	1002	ME	GAD	0012	D0	6 OF 6

PURCHASER'S COMMENT/APPROVAL STATUS

1. AP: Approved (Released for Manufacturing)
2. AN: Approved With Minor Comments (Fabrication may Proceed)
3. NF: Approved With Comments (Fabrication not Proceed)
4. RJ: Rejected
5. NR: Not be Returned

Date : XX.XX.XX

Signature :

PURCHASER:

REQUISITION NO.: DPIC98-12-001-000-ME-MR-4150-0001-D3

ITEM NO. (TAG NO.): PK-6101

VENDOR DOC. NO.: DPIC9812-000-VD-1002-ME-GAD-0012-D0



KASRAVAND CO.

DO	DATE	DESCRIPTION	PREP'D	CHK'D	APP'D
	11-DEC-21	ISSUE FOR APPROVAL	M.NAZARSHOAR	M.NAZARSHOAR	DR.A.NEJATI