

REVISION INDEX																											
Page	D0	D1	D2	D3	D4	D5	D6	D7	Page	D0	D1	D2	D3	D4	D5	D6	D7	Page	D0	D1	D2	D3	D4	D5	D6	D7	
001	X								041									081									
002	X								042									082									
003	X								043									083									
004	X								044									084									
005	X								045									085									
006	X								046									086									
007	X								047									087									
008	X								048									088									
009	X								049									089									
010	X								050									090									
011	X								051									091									
012	X								052									092									
013	X								053									093									
014									054									094									
015									055									095									
016									056									096									
017									057									097									
018									058									098									
019									059									099									
020									060									100									
021									061									101									
022									062									102									
023									063									103									
024									064									104									
025									065									105									
026									066									106									
027									067									107									
028									068									108									
029									069									109									
030									070									110									
031									071									111									
032									072									112									
033									073									113									
034									074									114									
035									075									115									
036									076									116									
037									077									117									
038									078									118									
039									079									119									
040									080									120									

Color	Width
RED	0.10
YEL	0.20
GRN	0.30
CYA	0.40
BLU	0.50
MAG	0.60
WHY	0.20
8	0.10
9	0.10
11	0.10
30	0.10
40	0.10
54	0.10
60	0.10
100	0.10
112	0.10
140	0.10
230	0.10

REFERENCES DOCUMENT									
NOTES									
SPECIFICATION									
LEGEND									
CLIENT:	MC	CONTRACTOR:							
This document is the property of DPIC. Any unauthorized attempt to reproduce it, in any form, is strictly prohibited.									
PROJECT TITLE: DEHDASHT PETROCHEMICAL INDUSTRY COMPANY DEHDASHT HIGH DENSITY POLYETHYLENE PROJECT									
DRAWING TITLE: JUNCTION BOX CONNECTION DIAGRAM									
DOCUMENT No: DPIC9812-000-VD-1002-ME-DIA-0038	SC. SIZE: A3								
Proj. Code	Area No.	VD	Material Code	PO No.	Disc. Code	Doc. Type	Serial No.	Rev.	Sheet No.
DPIC9812	000	VD	1002	4150	ME	DIA	0038	D0	2 OF 13
PURCHASER'S COMMENT/ APPROVAL STATUS		PURCHASER: NARGAN							
1. AP: Approved (Released for Manufacturing)		REQUISITION NO.: DPIC98-12-001-000-ME-MR-							
2. AM: Approved With Minor Comments (Fabrication may Proceed)		REQUISITION NO.: 4150-0001-D1							
3. NF: Approved With Comments (Fabrication not Proceed)		ITEM NO. (TAG NO.): PK-6101							
4. RJ: Rejected		Date: XX.XX.XX							
5. NR: Not be Returned		Signature: _____							
Date: XX.XX.XX		VENDOR DOC. NO.: DPIC98-12-000-VD-1002-ME-DIA-0038-D0							
DO 30.Jan.22		ISSUE FOR APPROVAL		RSABBAGHI		A.MALEKINA		DRA.NEJATI	
REV	DATE	DESCRIPTION		PREP'D	CHK'D	APP'D		KASRAVAND CO.	

TABLE OF CONTENTS								
Page	JUNCTION BOX TAG	TYPE	Page	JUNCTION BOX TAG	TYPE	Page	JUNCTION BOX TAG	TYPE
001	COVER SHEET	-	041			081		
002	REVISION INDEX	-	042			082		
003	TABLE OF CONTENTS	-	043			083		
004	100JAN-01P	ANALOG	044			084		
005	100JAN-02P	ANALOG	045			085		
006	100JAN-03P	ANALOG	046			086		
007	100JAN-04P	ANALOG	047			087		
008	100JAN-05P	ANALOG	048			088		
009	100JDN-01P	DIGITAL	049			089		
010	100JDN-02P	DIGITAL	050			090		
011	100JSN-01P	SOLENOID VALVE	051			091		
012	100JSN-02P	SOLENOID VALVE	052			092		
013	100JSN-03P	SOLENOID VALVE	053			093		
014	Junction Box Tag		054			094		
015	No. to be revised		055			095		
016			056			096		
017			057			097		
018			058			098		
019			059			099		
020			060			100		
021			061			101		
022			062			102		
023			063			103		
024			064			104		
025			065			105		
026			066			106		
027			067			107		
028			068			108		
029			069			109		
030			070			110		
031			071			111		
032			072			112		
033			073			113		
034			074			114		
035			075			115		
036			076			116		
037			077			117		
038			078			118		
039			079			119		
040			080			120		

Junction Box Tag
No. to be revised

based on Instrument Index List below Tags
have been missed please clarify about them:
VT-6120
VT-6121
ZT-61120
ZT-61121
II-61101
II-61102

Color	Width
RED	0.10
YEL	0.20
GRN	0.30
CYA	0.40
BLU	0.50
MAG	0.60
WHY	0.20
8	0.10
9	0.10
11	0.10
30	0.10
40	0.10
54	0.10
60	0.10
100	0.10
112	0.10
140	0.10
220	0.10

REFERENCES DOCUMENT														
NOTES														
SPECIFICATION														
LEGEND														
CLIENT:	MC	CONTRACTOR:												
This document is the property of DPIC Any unauthorized attempt to reproduce it, in any form, is strictly prohibited														
PROJECT TITLE: DEHDASHT PETROCHEMICAL INDUSTRY COMPANY DEHDASHT HIGH DENSITY POLYETHYLENE PROJECT														
DRAWING TITLE: JUNCTION BOX CONNECTION DIAGRAM														
DOCUMENT No:	DPIC9812-000-VD-1002-ME-DIA-0038	SC. SIZE: A3												
Proj. Code	Area No.	VD												
DPIC9812	000	VD												
Material Code	PO No.	Disc. Code												
1002	4150	ME												
Doc. Type	Serial No.	Rev.												
DIA	0038	D0												
Sheet No.	3 OF 13													
PURCHASER'S COMMENT/APPROVAL STATUS														
PURCHASER: NARGAN														
1. AP: Approved (Released for Manufacturing)														
2. AM: Approved With Minor Comments (Fabrication may Proceed)														
3. NF: Approved With Comments (Fabrication not Proceed)														
4. RJ: Rejected														
5. NR: Not be Returned														
Date: XX.XX.XX	Signature:	REQUISITION NO.: DPIC98-12-001-000-ME-MR-4150-0001-D1												
ITEM NO. (TAG NO.): PK-6101														
VENDOR DOC. NO.: DPIC98-12-000-VD-1002-ME-DIA-0038-D0														
<table border="1"> <tr> <td>DO</td> <td>30.Jan.22</td> <td>ISSUE FOR APPROVAL</td> <td>RSABBAGHI</td> <td>A.MALEKINA</td> <td>DR.A.NEJATI</td> </tr> <tr> <td>REV</td> <td>DATE</td> <td>DESCRIPTION</td> <td>PREP'D</td> <td>CHK'D</td> <td>APP'D</td> </tr> </table>			DO	30.Jan.22	ISSUE FOR APPROVAL	RSABBAGHI	A.MALEKINA	DR.A.NEJATI	REV	DATE	DESCRIPTION	PREP'D	CHK'D	APP'D
DO	30.Jan.22	ISSUE FOR APPROVAL	RSABBAGHI	A.MALEKINA	DR.A.NEJATI									
REV	DATE	DESCRIPTION	PREP'D	CHK'D	APP'D									
KASRAVAND CO.														

Following Colors shall be used for identification:
 Single and multi core: Black
 Single and multi pair: Black, White for NIS and Blue, White for IS cables

Instrument comments in this page are applicable for other pages

REFERENCES DOCUMENT
NOTES
SPECIFICATION

LEGEND
CLIENT: MC
CONTRACTOR: PETROPSA LTD. NARGAN
PROJECT TITLE: DEHDASHT PETROCHEMICAL INDUSTRY COMPANY DEHDASHT HIGH DENSITY POLYETHYLENE PROJECT
DRAWING TITLE: JUNCTION BOX CONNECTION DIAGRAM
DOCUMENT No: DPIC9812-000-VD-1002-ME-DIA-0038
SC: SIZE: A3
Proj. Code Area No. VD Material Code PO No. Disc. Code Doc. Type Serial No. Rev. Sheet No.
DPIC9812 000 VD 1002 4150 ME DIA 0038 D0 4 OF 13
PURCHASER'S COMMENT/APPROVAL STATUS
1. AP: Approved (Released for Manufacturing)
2. AM: Approved With Minor Comments (Fabrication may Proceed)
3. NF: Approved With Comments (Fabrication not Proceed)
4. RJ: Rejected
5. NR: Not be Returned
Date: XX.XX.XX Signature: PURCHASER: NARGAN
REQUISITION NO.: DPIC98-12-001-000-ME-MR-4150-0001-D1
ITEM NO. (TAG NO.): PK-6101
VENDOR DOC. NO.: DPIC98-12-000-VD-1002-ME-DIA-0038-00

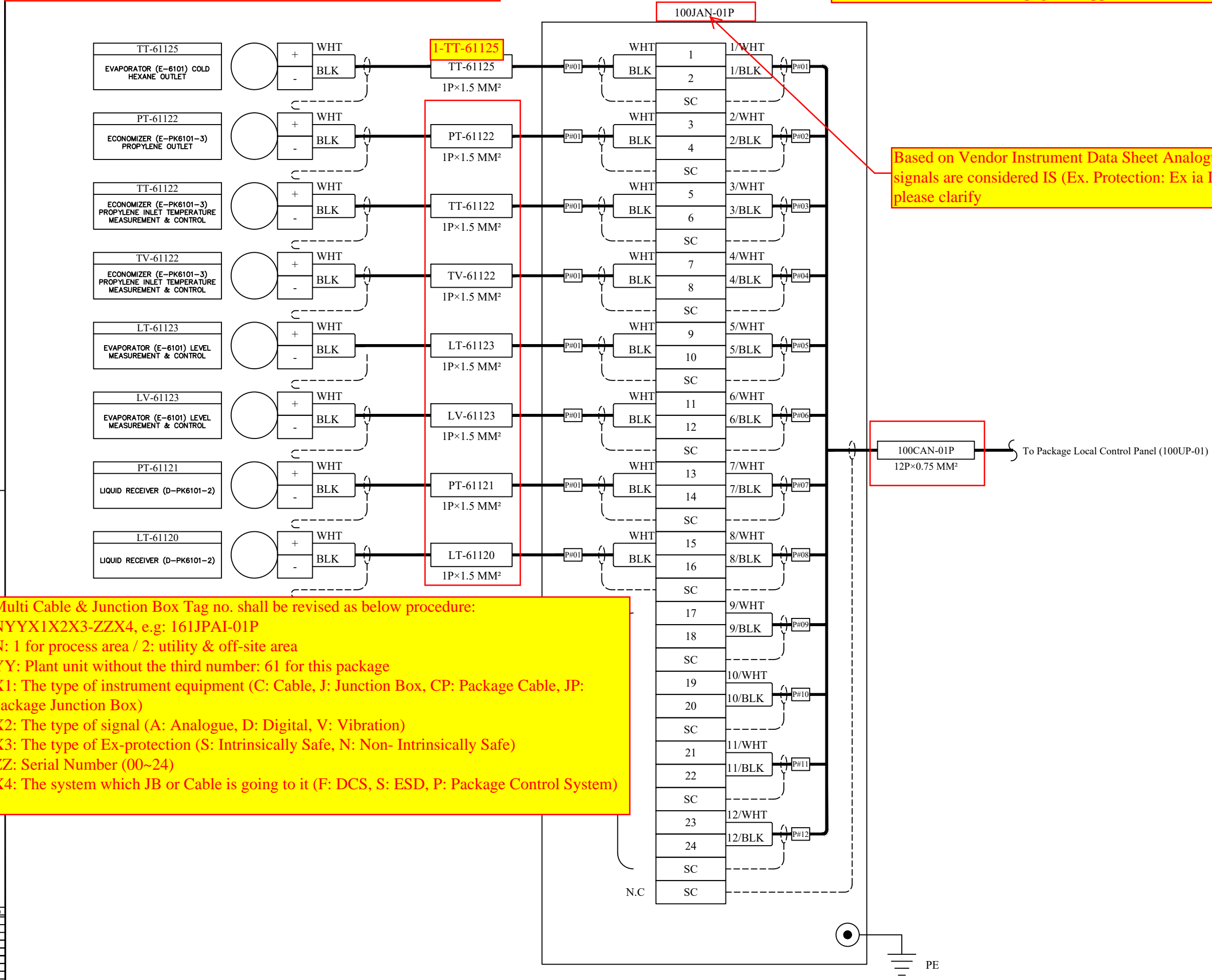
LEGEND

CLIENT: MC
CONTRACTOR: PETROPSA LTD. NARGAN

PROJECT TITLE: DEHDASHT PETROCHEMICAL INDUSTRY COMPANY DEHDASHT HIGH DENSITY POLYETHYLENE PROJECT
DRAWING TITLE: JUNCTION BOX CONNECTION DIAGRAM
DOCUMENT No: DPIC9812-000-VD-1002-ME-DIA-0038
SC: SIZE: A3
Proj. Code Area No. VD Material Code PO No. Disc. Code Doc. Type Serial No. Rev. Sheet No.
DPIC9812 000 VD 1002 4150 ME DIA 0038 D0 4 OF 13
PURCHASER'S COMMENT/APPROVAL STATUS
1. AP: Approved (Released for Manufacturing)
2. AM: Approved With Minor Comments (Fabrication may Proceed)
3. NF: Approved With Comments (Fabrication not Proceed)
4. RJ: Rejected
5. NR: Not be Returned
Date: XX.XX.XX Signature: PURCHASER: NARGAN
REQUISITION NO.: DPIC98-12-001-000-ME-MR-4150-0001-D1
ITEM NO. (TAG NO.): PK-6101
VENDOR DOC. NO.: DPIC98-12-000-VD-1002-ME-DIA-0038-00
DO 30.Jan.22 ISSUE FOR APPROVAL
REV. DATE DESCRIPTION PREP'D CHK'D APP'D
RSABBAGHI A.MALAKINIA DR.A.NEJATI
KASRAVAND CO.

Multi Cable & Junction Box Tag no. shall be revised as below procedure:
 NYYX1X2X3-ZZX4, e.g: 161JPAI-01P
 N: 1 for process area / 2: utility & off-site area
 YY: Plant unit without the third number: 61 for this package
 X1: The type of instrument equipment (C: Cable, J: Junction Box, CP: Package Cable, JP: package Junction Box)
 X2: The type of signal (A: Analogue, D: Digital, V: Vibration)
 X3: The type of Ex-protection (S: Intrinsically Safe, N: Non- Intrinsically Safe)
 ZZ: Serial Number (00~24)
 X4: The system which JB or Cable is going to it (F: DCS, S: ESD, P: Package Control System)

Based on Vendor Instrument Data Sheet Analogue signals are considered IS (Ex. Protection: Ex ia IIC T6), please clarify



Color	Width
RED	0.10
YEL	0.20
GRN	0.30
CYA	0.40
BLU	0.50
MAG	0.60
WHY	0.20
8	0.10
9	0.10
11	0.10
30	0.10
40	0.10
54	0.10
60	0.10
100	0.10
112	0.10
140	0.10
230	0.10

REFERENCES DOCUMENT	
NOTES	
SPECIFICATION	

LEGEND	

CLIENT:	MC	CONTRACTOR:

This document is the property of DPIC. Any unauthorized attempt to reproduce it, in any form, is strictly prohibited.

PROJECT TITLE:
DEHDASHT PETROCHEMICAL INDUSTRY COMPANY
DEHDASHT HIGH DENSITY POLYETHYLENE PROJECT

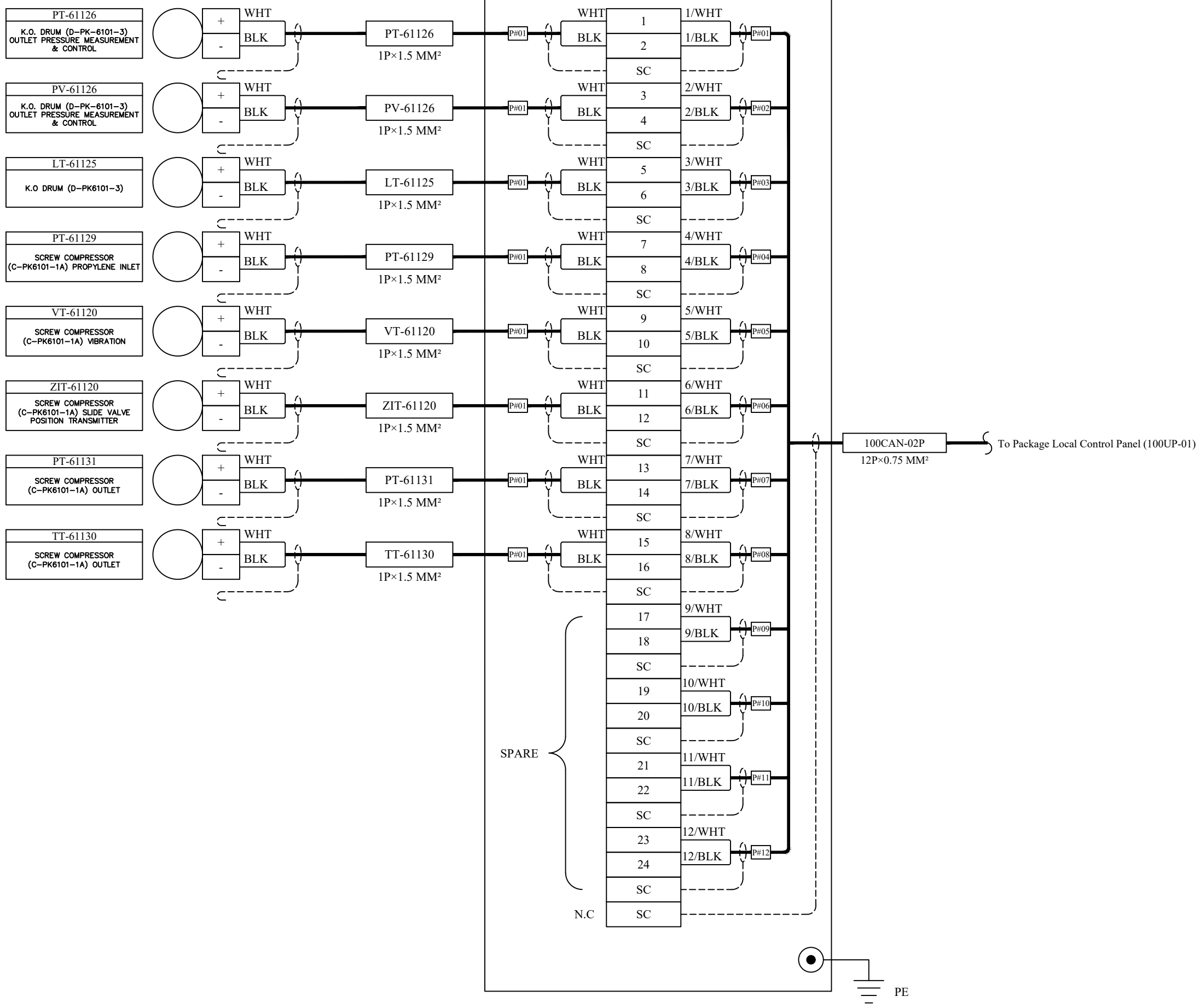
DRAWING TITLE:
JUNCTION BOX CONNECTION DIAGRAM

DOCUMENT No:	DPIC9812-000-VD-1002-ME-DIA-0038	SC.							
Proj. Code	Area No.	VD	Material Code	PO No.	Disc. Code	Doc. Type	Serial No.	Rev.	Sheet No.
DPIC9812	000	VD	1002	4150	ME	DIA	0038	D0	5 OF 13

PURCHASER'S COMMENT/APPROVAL STATUS		PURCHASER: NARGAN
1. AP: Approved (Released for Manufacturing)	REQUISITION NO.: DPIC98-12-001-000-ME-MR-	
2. AM: Approved With Minor Comments (Fabrication may Proceed)	REQUISITION NO.: 4150-0001-D1	
3. NF: Approved With Comments (Fabrication not Proceed)	ITEM NO. (TAG NO.): PK-6101	
4. RJ: Rejected	Date: XX.XX.XX	
5. NR: Not be Returned	Signature: _____	
Date: XX.XX.XX		VENDOR DOC. NO.: DPIC98-12-000-VD-1002-ME-DIA-0038-00

DO	30.Jan.22	ISSUE FOR APPROVAL	RSABBAGHI	A.MALEKINA	DR.A.NEJATI	KASRAVAND CO.
REV	DATE	DESCRIPTION	PREP'D	CHK'D	APP'D	

100JAN-02P



Color	Width
RED	0.10
YEL	0.20
GRN	0.30
CYA	0.40
BLU	0.50
MAG	0.60
WHY	0.20
8	0.10
9	0.10
11	0.10
30	0.10
40	0.10
54	0.10
60	0.10
100	0.10
112	0.10
140	0.10
230	0.10

REFERENCES DOCUMENT	
NOTES	

SPECIFICATION	

LEGEND	

CLIENT:	MC	CONTRACTOR:

This document is the property of DPIC. Any unauthorized attempt to reproduce it, in any form, is strictly prohibited.

PROJECT TITLE:
DEHDASHT PETROCHEMICAL INDUSTRY COMPANY
DEHDASHT HIGH DENSITY POLYETHYLENE PROJECT

DRAWING TITLE:
JUNCTION BOX CONNECTION DIAGRAM

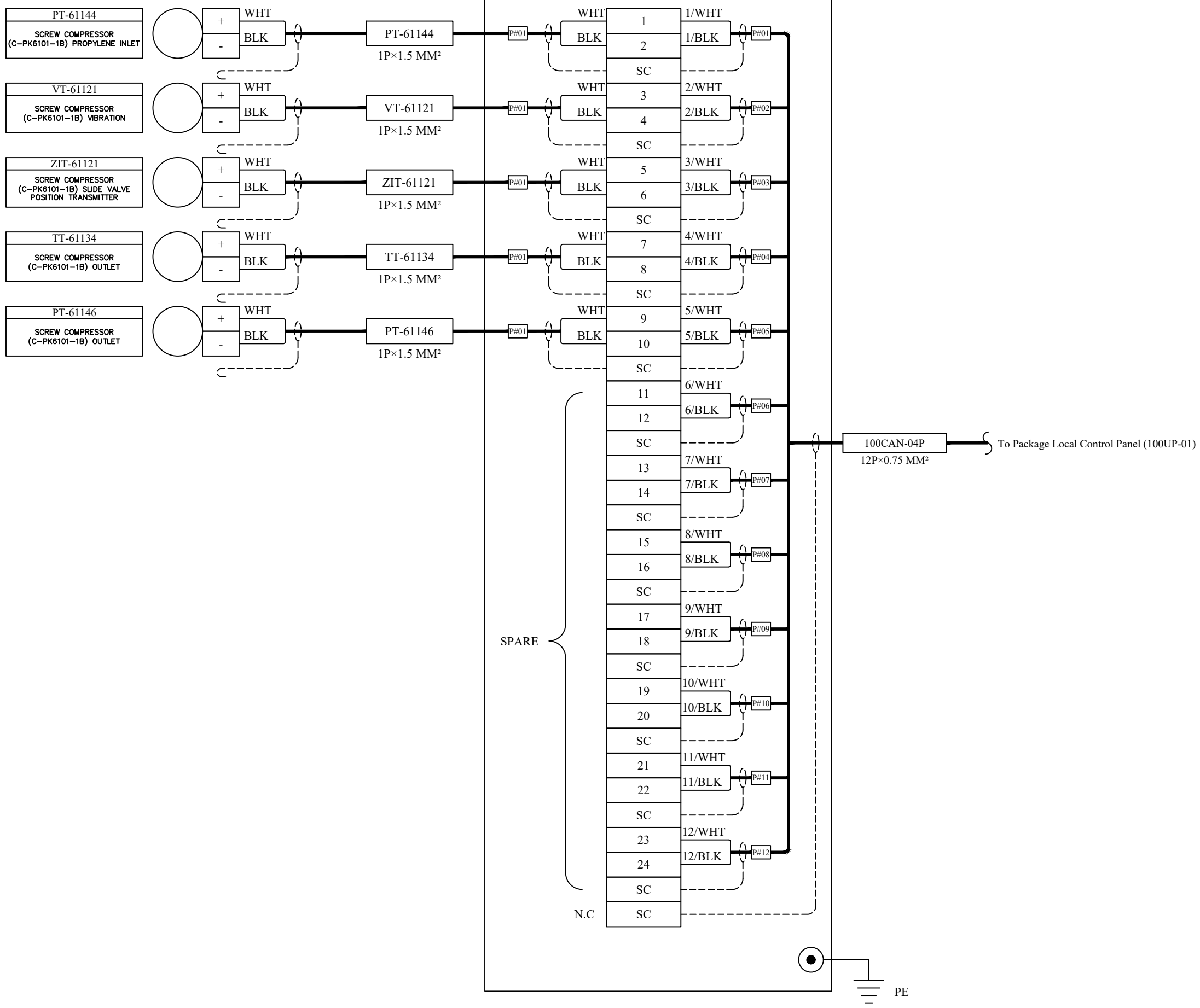
DOCUMENT No: DPIC9812-000-VD-1002-ME-DIA-0038
SC: A3

Proj. Code	Area No.	VD	Material Code	PO No.	Disc. Code	Doc. Type	Serial No.	Rev.	Sheet No.
DPIC9812	000	VD	1002	4150	ME	DIA	0038	D0	7 OF 13

PURCHASER'S COMMENT/APPROVAL STATUS		PURCHASER: NARGAN	
1. AP: Approved (Released for Manufacturing)	REQUISITION NO.: DPIC98-12-001-000-ME-MR-		
2. AM: Approved With Minor Comments (Fabrication may Proceed)	REQUISITION NO.: 4150-0001-D1		
3. NF: Approved With Comments (Fabrication not Proceed)	ITEM NO. (TAG NO.): PK-6101		
4. RJ: Rejected	VENDOR DOC. NO.: DPIC98-12-000-VD-1002-		
5. NR: Not be Returned	ME-DIA-0038-D0		
Date: XX.XX.XX	Signature: _____		

DO	30.Jan.22	ISSUE FOR APPROVAL	RSABBAGHI	A.MALEKINA	DR.A.NEJATI	KASRAVAND CO.
REV	DATE	DESCRIPTION	PREP'D	CHK'D	APP'D	

100JAN-04P



Color	Width
RED	0.10
YEL	0.20
GRN	0.30
CYA	0.40
BLU	0.50
MAG	0.60
WHY	0.20
8	0.10
9	0.10
11	0.10
30	0.10
40	0.10
54	0.10
60	0.10
100	0.10
112	0.10
140	0.10
230	0.10

REFERENCES DOCUMENT	
NOTES	

SPECIFICATION	

LEGEND	

CLIENT:	MC	CONTRACTOR:

This document is the property of DPIC. Any unauthorized attempt to reproduce it, in any form, is strictly prohibited.

PROJECT TITLE:
DEHDASHT PETROCHEMICAL INDUSTRY COMPANY
DEHDASHT HIGH DENSITY POLYETHYLENE PROJECT

DRAWING TITLE:
JUNCTION BOX CONNECTION DIAGRAM

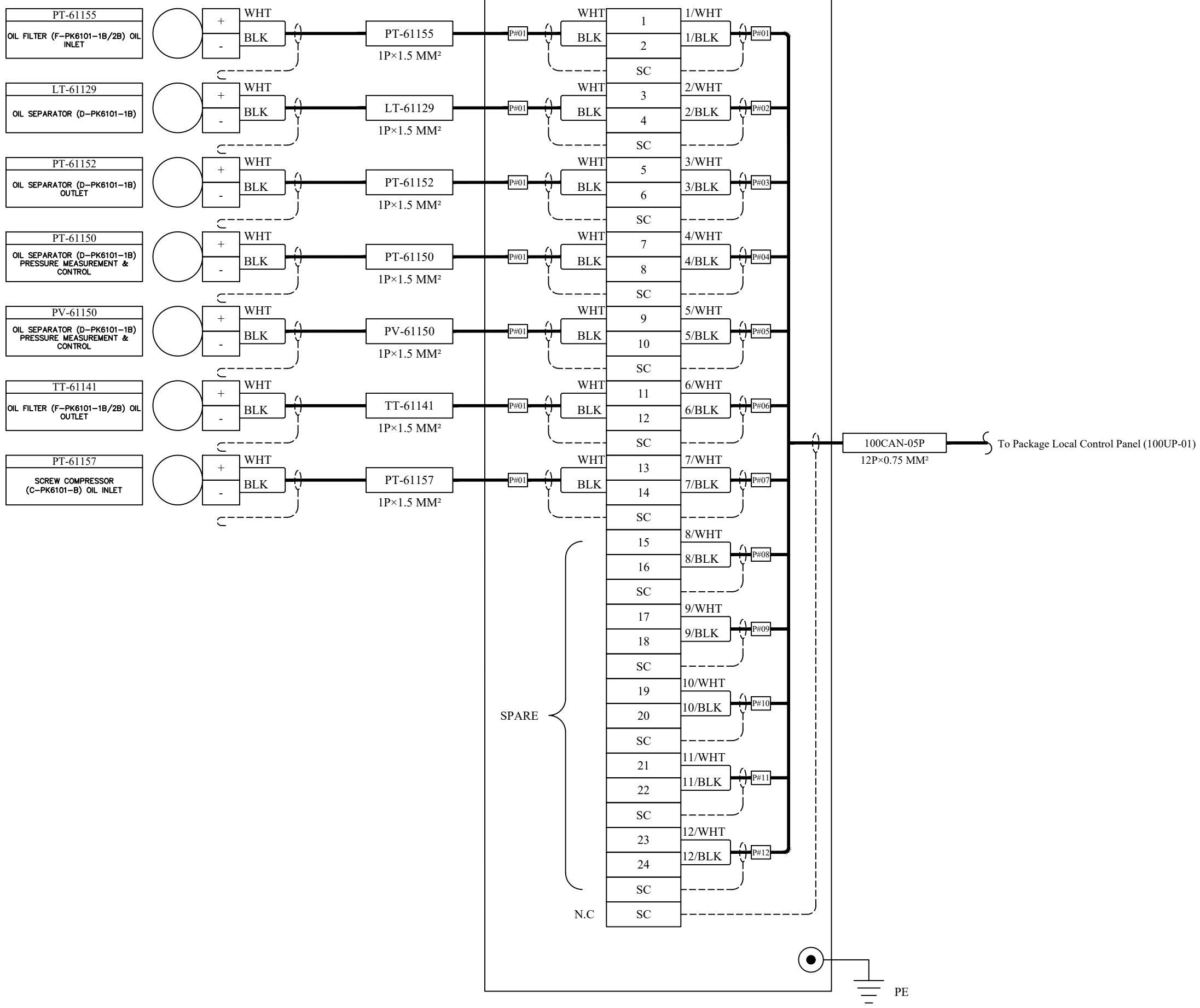
DOCUMENT No: DPIC9812-000-VD-1002-ME-DIA-0038
SC. SIZE: A3

Proj. Code	Area No.	VD	Material Code	PO No.	Disc. Code	Doc. Type	Serial No.	Rev.	Sheet No.
DPIC9812	000	VD	1002	4150	ME	DIA	0038	D0	8 OF 13

PURCHASER'S COMMENT/APPROVAL STATUS		PURCHASER: NARGAN
1. AP: Approved (Released for Manufacturing)		
2. AM: Approved With Minor Comments (Fabrication may Proceed)		REQUISITION NO.: 4150-0001-D1
3. NF: Approved With Comments (Fabrication not Proceed)		
4. RJ: Rejected		ITEM NO. (TAG NO.): PK-6101
5. NR: Not be Returned		VENDOR DOC. NO.: DPIC98-12-000-VD-1002-ME-DIA-0038-D0
Date: XX.XX.XX	Signature:	

DO	30.Jan.22	ISSUE FOR APPROVAL	RSABBAGHI	A.MALEKINA	DR.A.NEJATI	KASRAVAND CO.
REV	DATE	DESCRIPTION	PREP'D	CHK'D	APP'D	

100JAN-05P



Color	Width
RED	0.10
YEL	0.20
GRN	0.30
CYA	0.40
BLU	0.50
MAG	0.60
WHY	0.20
8	0.10
9	0.10
11	0.10
30	0.10
40	0.10
54	0.10
60	0.10
100	0.10
112	0.10
140	0.10
220	0.10

REFERENCES DOCUMENT
NOTES
SPECIFICATION

LEGEND									
CLIENT:									
MC									
CONTRACTOR:									
PROJECT TITLE:									
DRAWING TITLE:									
DOCUMENT No:									
SC.									
SIZE: A3									
Proj. Code	Area No.	VD	Material Code	PO No.	Disc. Code	Doc. Type	Serial No.	Rev.	Sheet No.
DPIC9812	000	VD	1002	4150	ME	DIA	0038	D0	9 OF 13
PURCHASER'S COMMENT/ APPROVAL STATUS		PURCHASER: NARGAN							
1. AP: Approved (Released for Manufacturing)		REQUISITION NO.: DPIC98-12-001-000-ME-MR-							
2. AM: Approved With Minor Comments (Fabrication may Proceed)		REQUISITION NO.: 4150-0001-D1							
3. NF: Approved With Comments (Fabrication not Proceed)		ITEM NO. (TAG NO.): PK-6101							
4. RJ: Rejected		VENDOR DOC. NO.: DPIC98-12-000-VD-1002-							
5. NR: Not be Returned		ME-DIA-0038-D0							
Date: XX.XX.XX	Signature:								

CLIENT:	MC	CONTRACTOR:

This document is the property of DPIC Any unauthorized attempt to reproduce it, in any form, is strictly prohibited

PROJECT TITLE:
DEHDASHT PETROCHEMICAL INDUSTRY COMPANY
DEHDASHT HIGH DENSITY POLYETHYLENE PROJECT

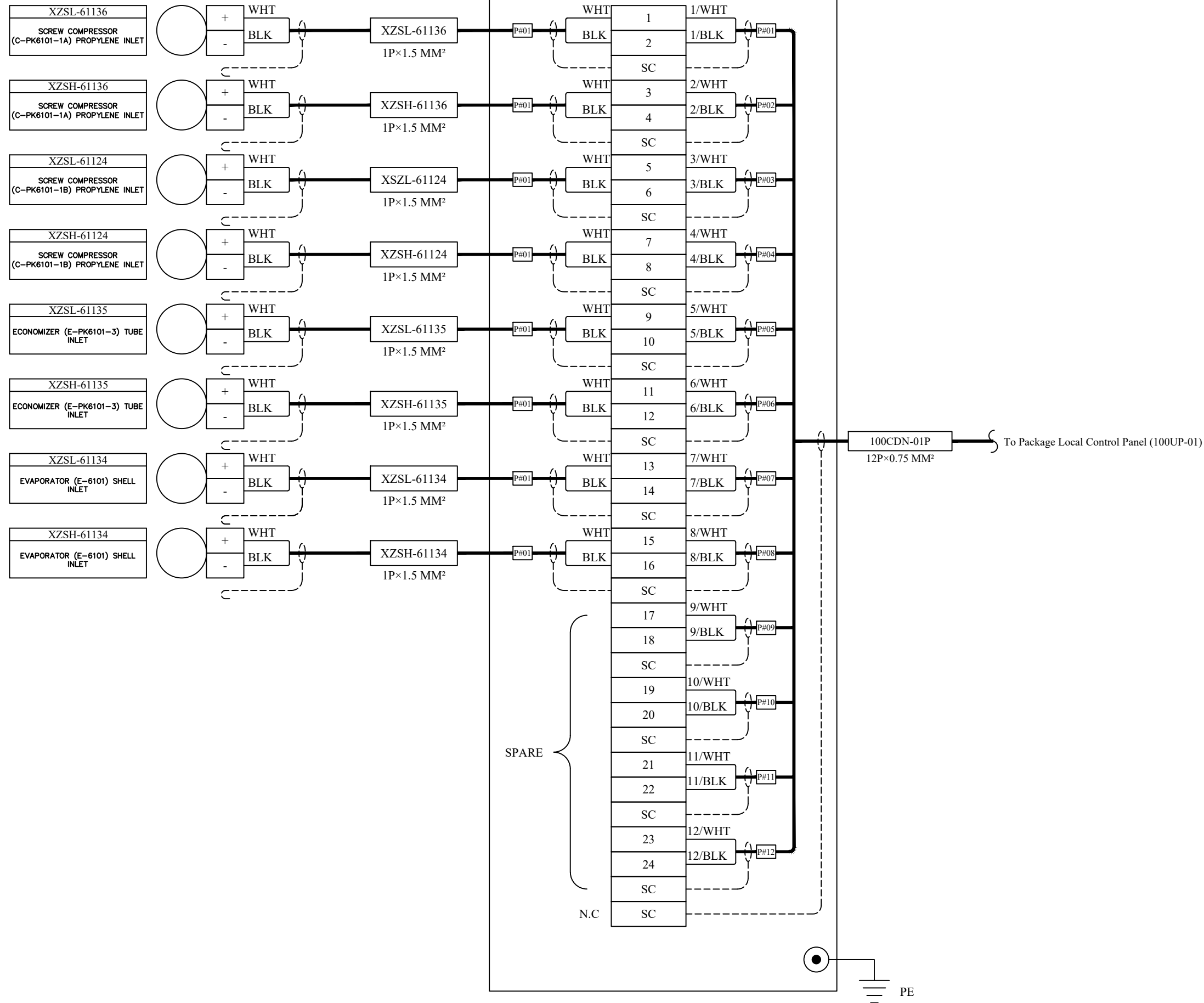
DRAWING TITLE:
JUNCTION BOX CONNECTION DIAGRAM

DOCUMENT No: DPIC9812-000-VD-1002-ME-DIA-0038
SC.
SIZE: A3

PURCHASER'S COMMENT/ APPROVAL STATUS
PURCHASER: NARGAN
REQUISITION NO.: DPIC98-12-001-000-ME-MR-
REQUISITION NO.: 4150-0001-D1
ITEM NO. (TAG NO.): PK-6101
VENDOR DOC. NO.: DPIC98-12-000-VD-1002-
ME-DIA-0038-D0

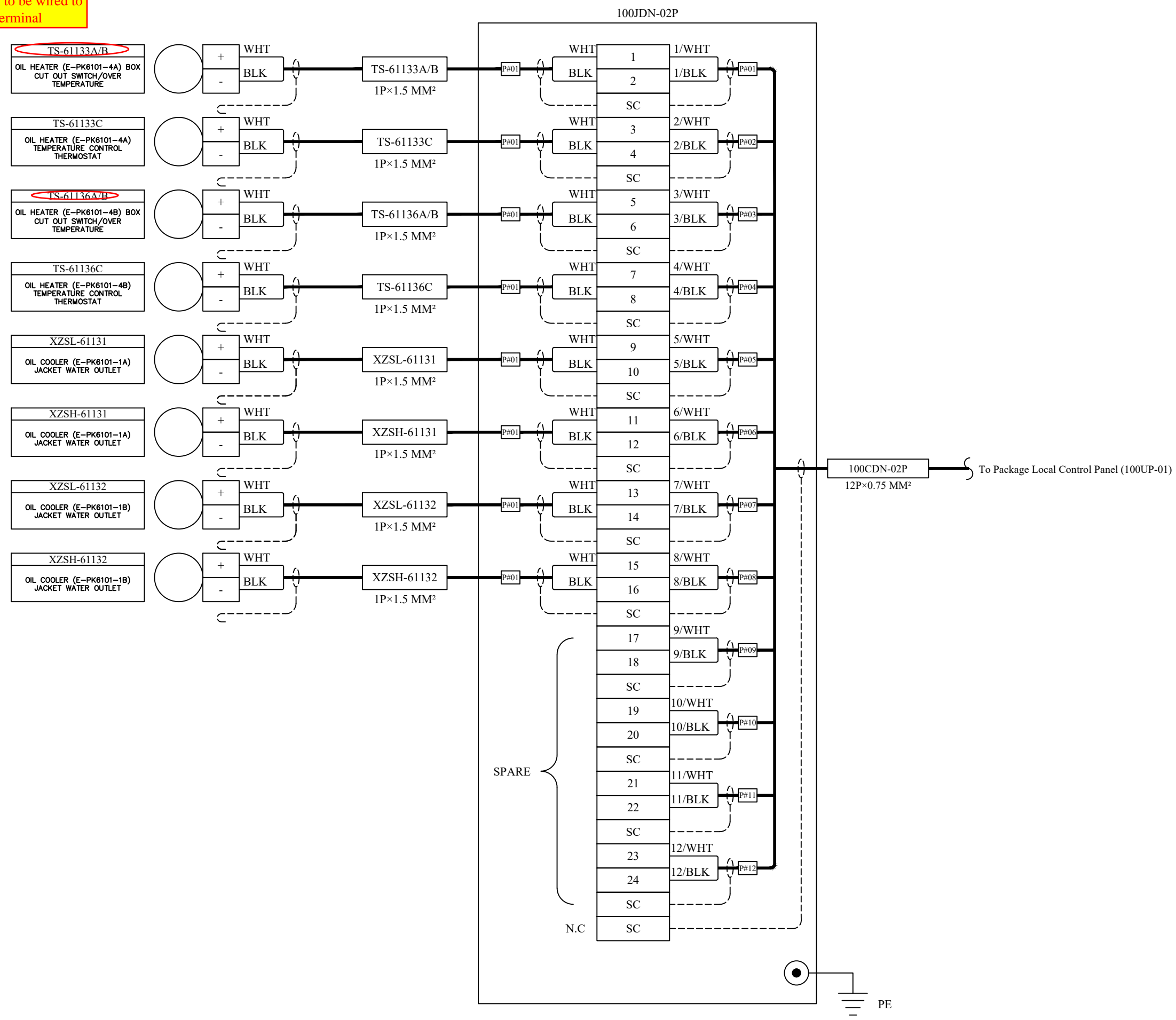
DO	30.Jan.22	ISSUE FOR APPROVAL	RSABBAGHI	A.MALEKINA	DR.A.NEJATI	KASRAVAND CO.
REV.	DATE	DESCRIPTION	PREP'D	CHK'D	APP'D	

100JDN-01P



Color	Width
RED	0.10
YEL	0.20
GRN	0.30
CYA	0.40
BLU	0.50
MAG	0.60
WHY	0.20
8	0.10
9	0.10
11	0.10
30	0.10
40	0.10
54	0.10
60	0.10
100	0.10
112	0.10
140	0.10
230	0.10

each signal to be wired to dedicated terminal



REFERENCES DOCUMENT

NOTES

SPECIFICATION

LEGEND

CLIENT: 	MC 	CONTRACTOR: 	
-------------	--------	-----------------	--

This document is the property of DPIC. Any unauthorized attempt to reproduce it, in any form, is strictly prohibited.

PROJECT TITLE:
DEHDASHT PETROCHEMICAL INDUSTRY COMPANY
DEHDASHT HIGH DENSITY POLYETHYLENE PROJECT

DRAWING TITLE:
JUNCTION BOX CONNECTION DIAGRAM

DOCUMENT No.: DPIC9812-000-VD-1002-ME-DIA-0038
SC. SIZE: A3

Proj. Code	Area No.	VD	Material Code	PO No.	Disc. Code	Doc. Type	Serial No.	Rev.	Sheet No.
DPIC9812	000	VD	1002	4150	ME	DIA	0038	D0	10 OF 13

PURCHASER'S COMMENT/APPROVAL STATUS
 1. AP: Approved (Released for Manufacturing)
 2. AM: Approved With Minor Comments (Fabrication may Proceed)
 3. NF: Approved With Comments (Fabrication not Proceed)
 4. RJ: Rejected
 5. NR: Not be Returned
 Date: XX.XX.XX Signature: _____

REV	DATE	DESCRIPTION	PREP'D	CHK'D	APP'D
00	30.Jan.22	ISSUE FOR APPROVAL	RSABBAGHI	A.MALEKINA	DR.A.NEJATI



KASRAVAND CO.

Color	Width
RED	0.10
YEL	0.20
GRN	0.30
CYA	0.40
BLU	0.50
MAG	0.60
WHY	0.20
8	0.10
9	0.10
11	0.10
30	0.10
40	0.10
54	0.10
60	0.10
100	0.10
112	0.10
140	0.10
230	0.10

CLIENT:  MC  CONTRACTOR:  

This document is the property of DPIC. Any unauthorized attempt to reproduce it, in any form, is strictly prohibited.

PROJECT TITLE:
DEHDASHT PETROCHEMICAL INDUSTRY COMPANY
DEHDASHT HIGH DENSITY POLYETHYLENE PROJECT

DRAWING TITLE:
JUNCTION BOX CONNECTION DIAGRAM

DOCUMENT No: DPIC9812-000-VD-1002-ME-DIA-0038 SC. SIZE: A3


Proj. Code	Area No.	VD	Material Code	PO No.	Disc. Code	Doc. Type	Serial No.	Rev.	Sheet No.
DPIC9812	000	VD	1002	4150	ME	DIA	0038	D0	11 OF 13

PURCHASER'S COMMENT/APPROVAL STATUS

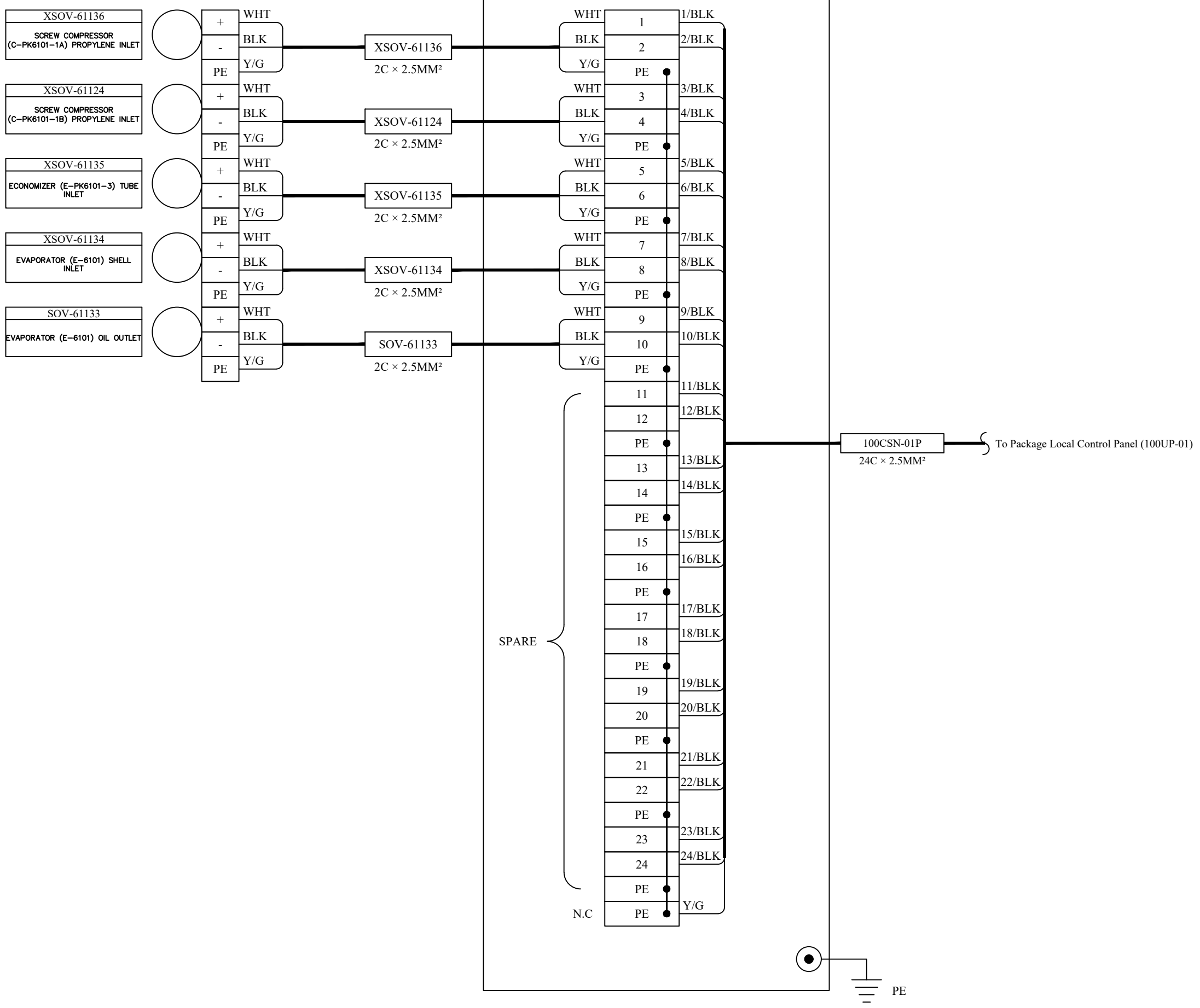
1. AP: Approved (Released for Manufacturing)
 2. AN: Approved With Minor Comments (Fabrication may Proceed)
 3. NF: Approved With Comments (Fabrication not Proceed)
 4. RJ: Rejected
 5. NR: Not be Returned

PURCHASER: NARGAN
 REQUISITION NO.: DPIC98-12-001-000-ME-MR-4150-0001-01
 ITEM NO. (TAG NO.): PK-6101
 VENDOR DOC. NO.: DPIC98-12-000-VD-1002-ME-DIA-0038-D0

DO	DATE	ISSUE FOR APPROVAL	PREP'D	CHK'D	APP'D
	30-Jan-22	ISSUE FOR APPROVAL	R.SABBAGHI	A.MALKONIA	DR.A.NEJATI

 KASRAVAND CO.

100JSN-01P



Color	Width
RED	0.10
YEL	0.20
GRN	0.30
CYA	0.40
BLU	0.50
MAG	0.60
WHY	0.20
8	0.10
9	0.10
11	0.10
30	0.10
40	0.10
54	0.10
60	0.10
100	0.10
112	0.10
140	0.10
230	0.10

CLIENT:  MC  CONTRACTOR:  

This document is the property of DPIC. Any unauthorized attempt to reproduce it, in any form, is strictly prohibited.

PROJECT TITLE:
DEHDASHT PETROCHEMICAL INDUSTRY COMPANY
DEHDASHT HIGH DENSITY POLYETHYLENE PROJECT

DRAWING TITLE:
JUNCTION BOX CONNECTION DIAGRAM


DOCUMENT No: DPIC9812-000-VD-1002-ME-DIA-0038 SC. SIZE: A3

Proj. Code	Area No.	VD	Material Code	PO No.	Disc. Code	Doc. Type	Serial No.	Rev.	Sheet No.
DPIC9812	000	VD	1002	4150	ME	DIA	0038	D0	12 OF 13

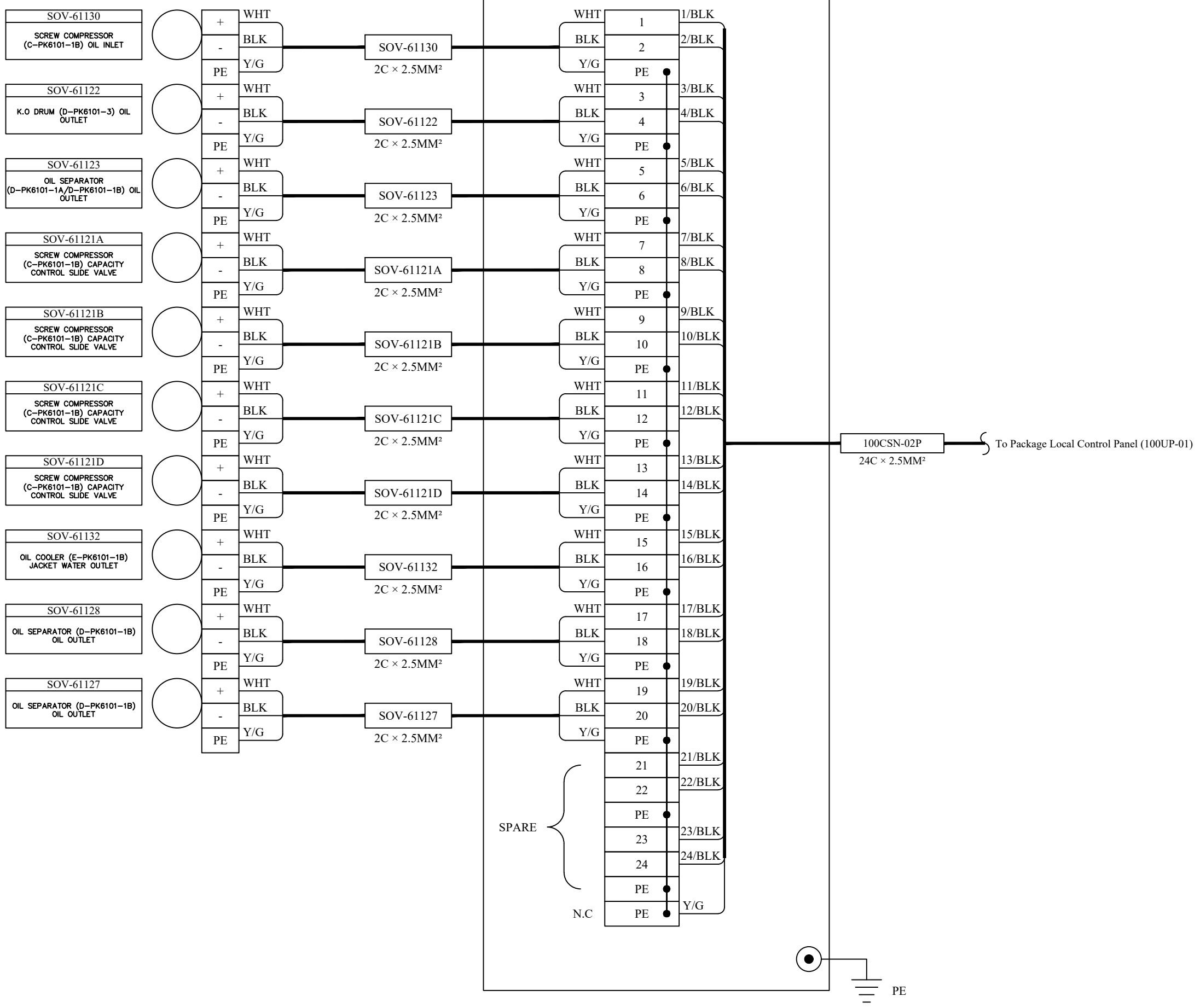
PURCHASER'S COMMENT/APPROVAL STATUS
 1. AP: Approved (Released for Manufacturing)
 2. AN: Approved With Minor Comments (Fabrication may Proceed)
 3. NF: Approved With Comments (Fabrication not Proceed)
 4. RJ: Rejected
 5. NR: Not be Returned
 Date: XX.XX.XX Signature: _____

PURCHASER: NARGAN
 REQUISITION NO.: DPIC98-12-001-000-ME-MR-4150-0001-01
 ITEM NO. (TAG NO.): PK-6101
 VENDOR DOC. NO.: DPIC98-12-000-VD-1002-ME-DIA-0038-D0

DO	DATE	ISSUE FOR APPROVAL	PREP'D	CHK'D	APP'D
	30-Jan-22	ISSUE FOR APPROVAL	R.SABBAGHI	A.MALKONIA	DR.A.NEJATI

 KASRAVAND CO.

100JSN-02P



Color	Width
RED	0.10
YEL	0.20
GRN	0.30
CYA	0.40
BLU	0.50
MAG	0.60
WHY	0.20
8	0.10
9	0.10
11	0.10
30	0.10
40	0.10
54	0.10
60	0.10
100	0.10
112	0.10
140	0.10
230	0.10

CLIENT:	MC	CONTRACTOR:

This document is the property of DPIC. Any unauthorized attempt to reproduce it, in any form, is strictly prohibited.

PROJECT TITLE:
DEHDASHT PETROCHEMICAL INDUSTRY COMPANY
DEHDASHT HIGH DENSITY POLYETHYLENE PROJECT

DRAWING TITLE:
JUNCTION BOX CONNECTION DIAGRAM

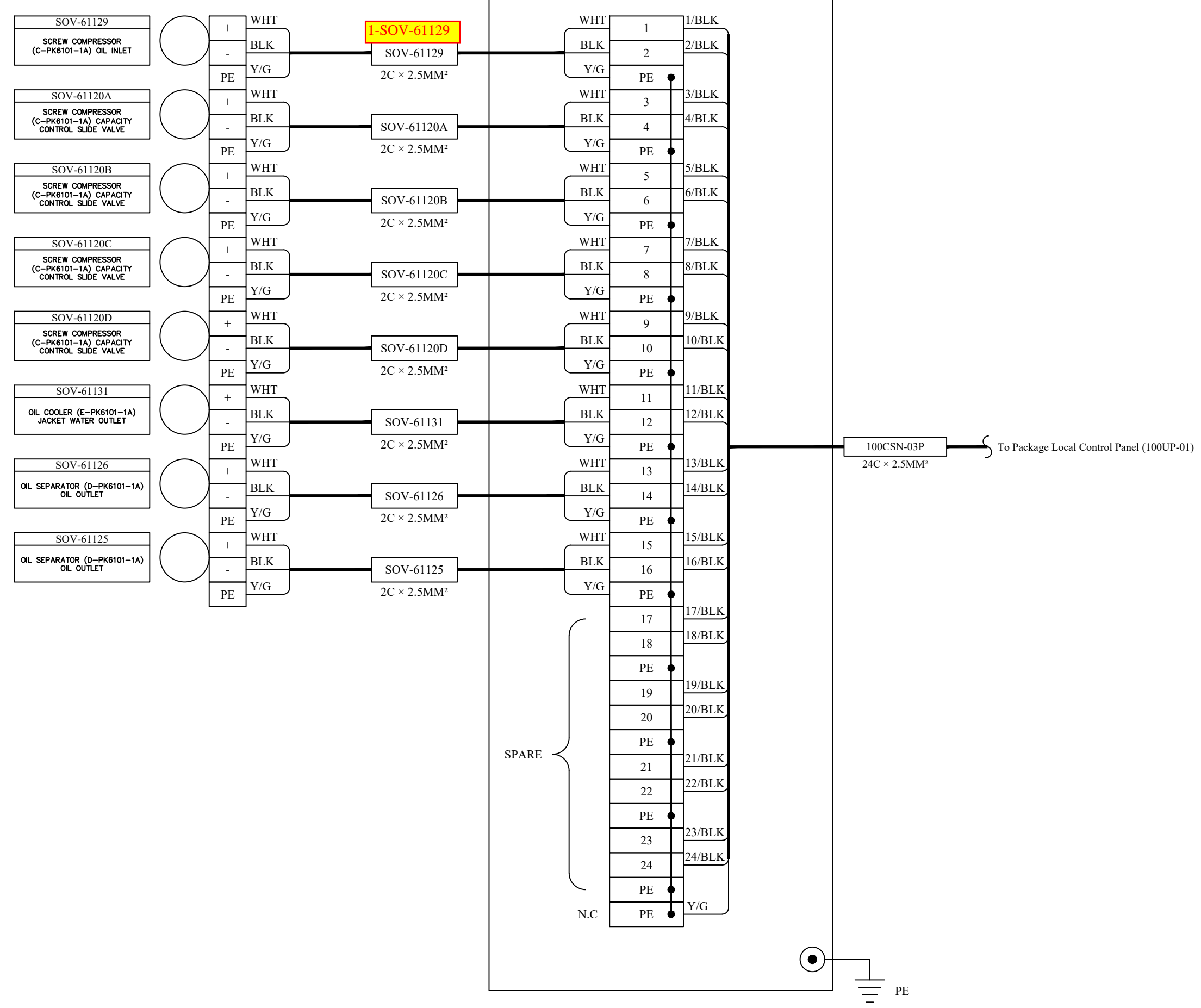
DOCUMENT No: DPIC9812-000-VD-1002-ME-DIA-0038 SC. SIZE: A3

Proj. Code	Area No.	VD	Material Code	PO No.	Disc. Code	Doc. Type	Serial No.	Rev.	Sheet No.
DPIC9812	000	VD	1002	4150	ME	DIA	0038	D0	13 OF 13

PURCHASER'S COMMENT/APPROVAL STATUS
 1. AP: Approved (Released for Manufacturing)
 2. AN: Approved With Minor Comments (Fabrication may Proceed)
 3. NF: Approved With Comments (Fabrication not Proceed)
 4. RJ: Rejected
 5. NR: Not be Returned
 Date: XX.XX.XX Signature: _____

REV.	DATE	DESCRIPTION	PREP'D	CHK'D	APP'D

100JSN-03P



Color	Width
RED	0.10
YEL	0.20
GRN	0.30
CYA	0.40
BLU	0.50
MAG	0.60
WHY	0.20
8	0.10
9	0.10
11	0.10
30	0.10
40	0.10
54	0.10
60	0.10
100	0.10
112	0.10
140	0.10
230	0.10