



LIDCO, Pars SEE Zone, Assaluyeh,
Integrated Methanol and Ammonia
Plant 3000 MTPD MeOH / 900 MTPD NH3 PROJECT



General Arrangement Drawing (incl foundation load details)



Document No. 17735-04

Project No.	Vendor Doc.	P.O. No.	Department	Document Type	Serial No	Revision	Page
N278	VD	6019	PR	GAD	0003	02	Page 1 of 3

**Airpack B.V. - Air Compressor –
Integrated Methanol and Ammonia Plant
17735-COM General Arrangement Drawing (incl foundation load
details) (K020)**

REV.	DATE	DESCRIPTION	DRAWN	CHECKED	APPROVED
02	17-04-2024	Issued for Approval	F.T.	S.K.	J.J.
01	02-01-2024	Issued for Approval	F.T.	S.K.	J.J.

This document has been produced by Contractor for LIDCO. It is confidential and cannot be disclosed to or used by any third party for any purpose without prior written consent.

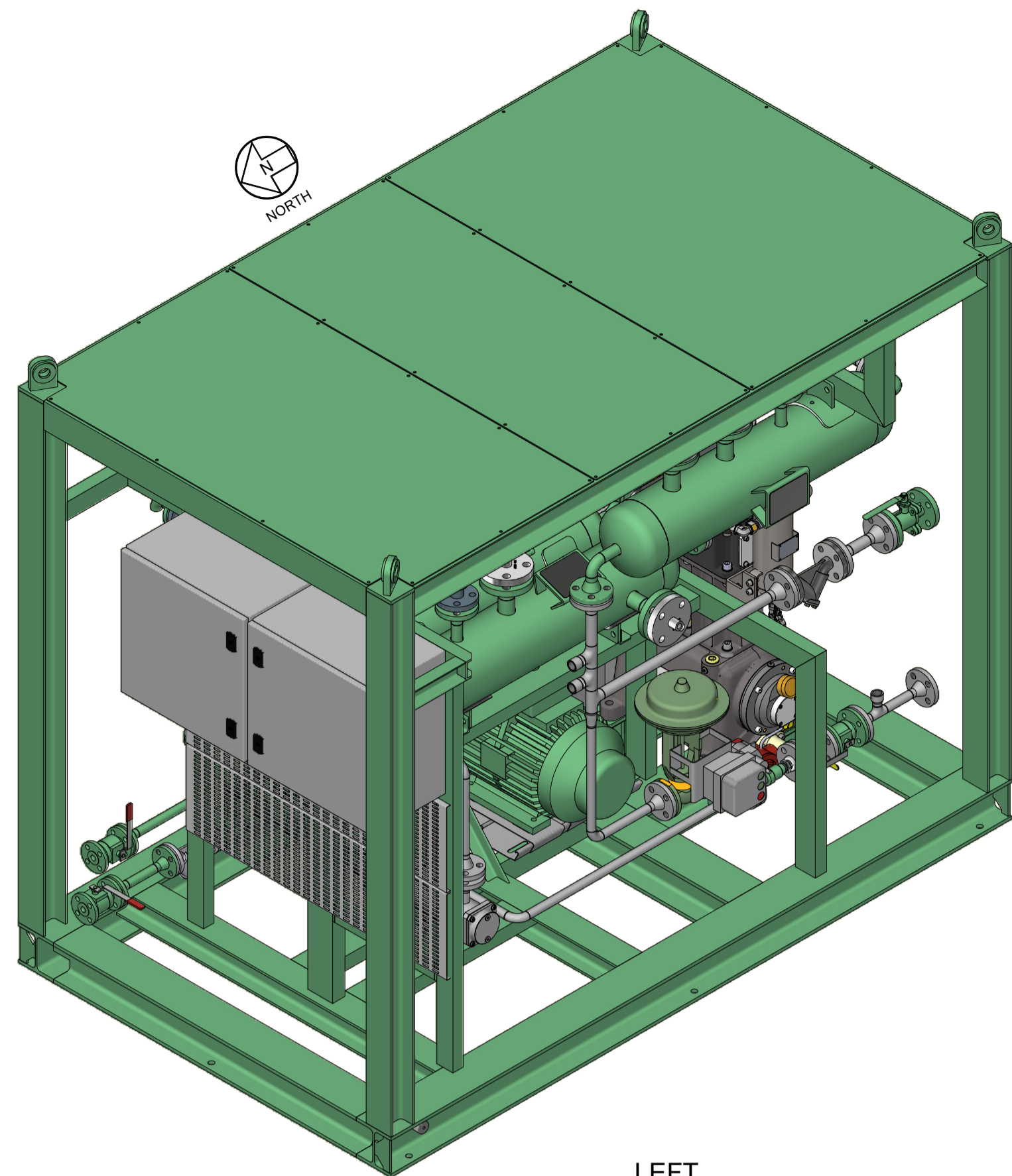
General Arrangement Drawing (incl foundation load details)

Document No. 17735-04

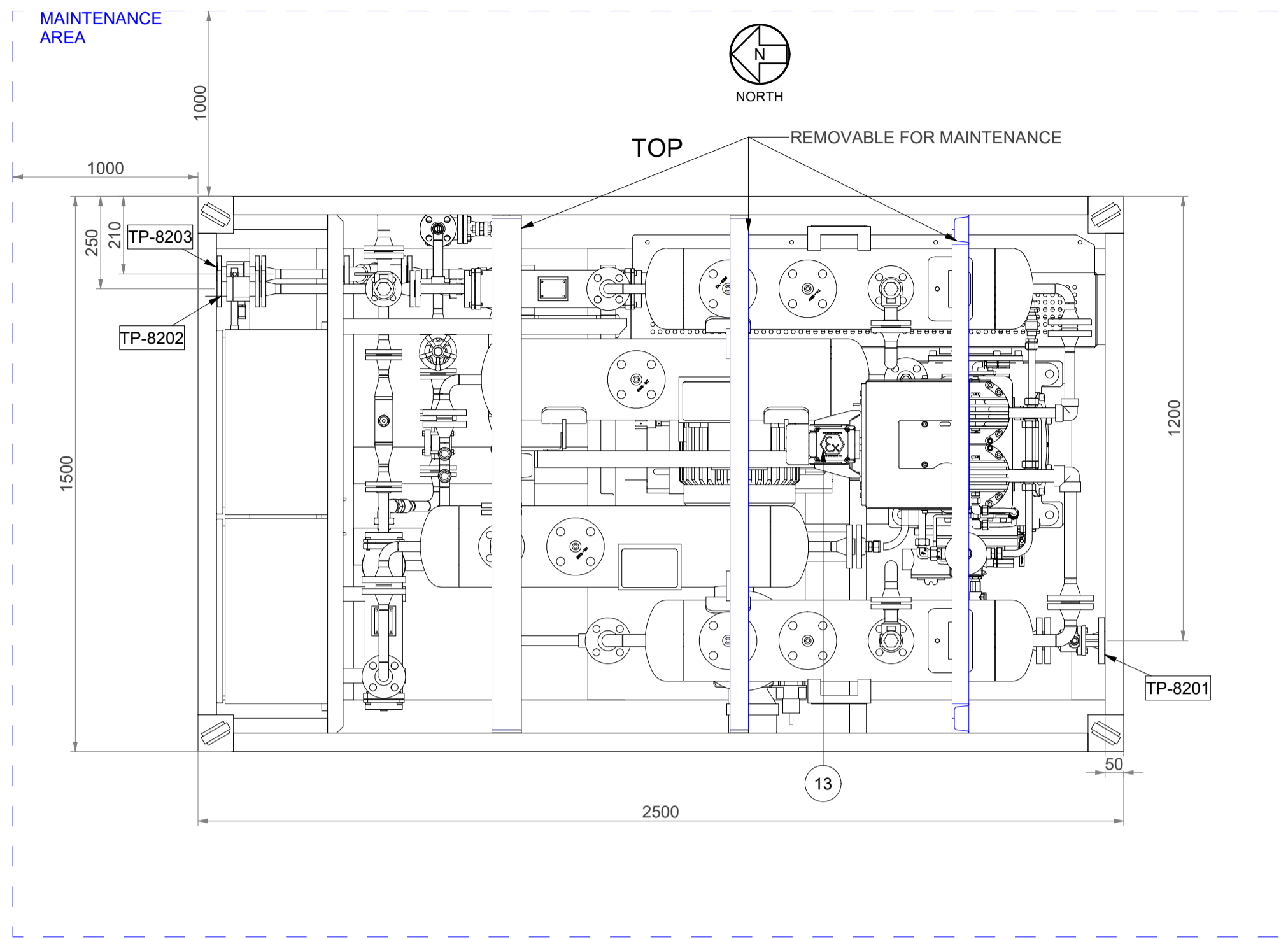
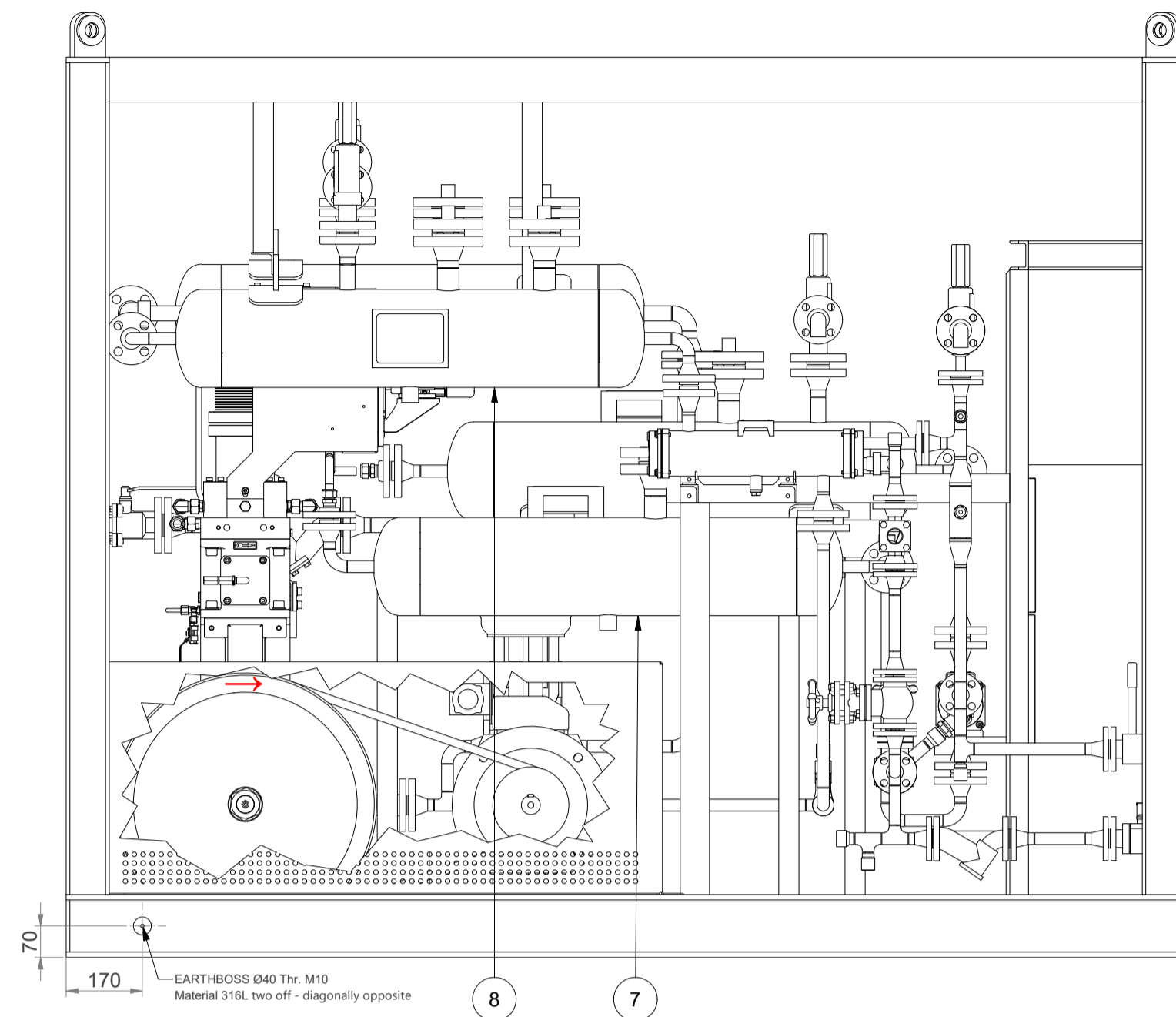
Project No.	Vendor Doc.	P.O. No.	Department	Document Type	Serial No	Revision	Page
N278	VD	6019	PR	GAD	0003	02	Page 2 of 3

LIST OF REVISED PAGES

Rev. Page	01	02	03	04	05	Rev. Page	01	02	03	04	05	Rev. Page	01	02	03	04	05	Rev. Page	01	02	03	04	05	
1	X	X				26						51						76						
2	X	X				27						52						77						
3	X	X				28						53						78						
4						29						54						79						
5						30						55						80						
6						31						56						81						
7						32						57						82						
8						33						58						83						
9						34						59						84						
10						35						60						85						
11						36						61						86						
12						37						62						87						
13						38						63						88						
14						39						64						89						
15						40						65						90						
16						41						66						91						
17						42						67						92						
18						43						68						ATTACHMENT						
19						44						69						1						
20						45						70						2						
21						46						71						3						
22						47						72						4						
23						48						73						5						
24						49						74						6						
25						50						75						7						

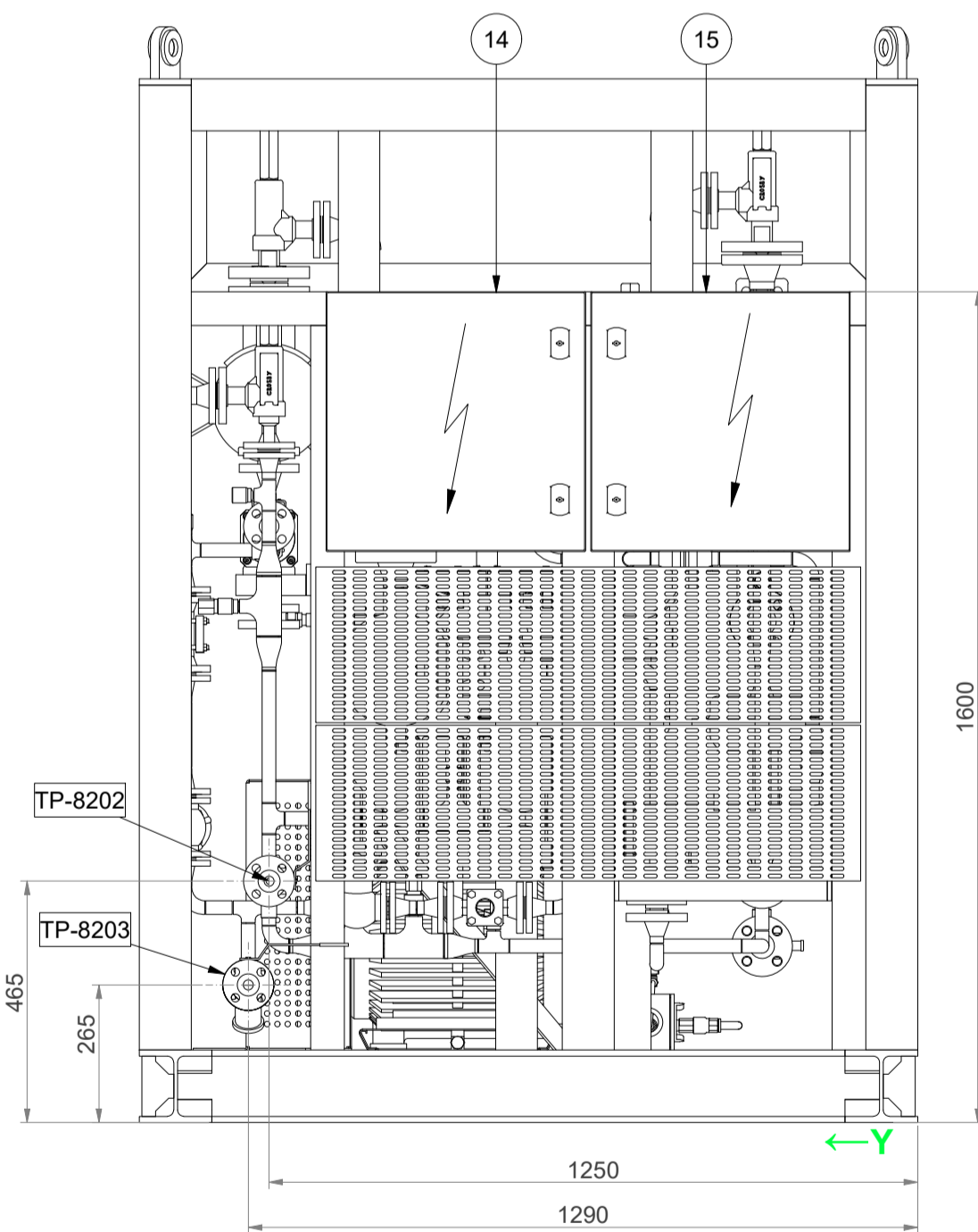


BACK

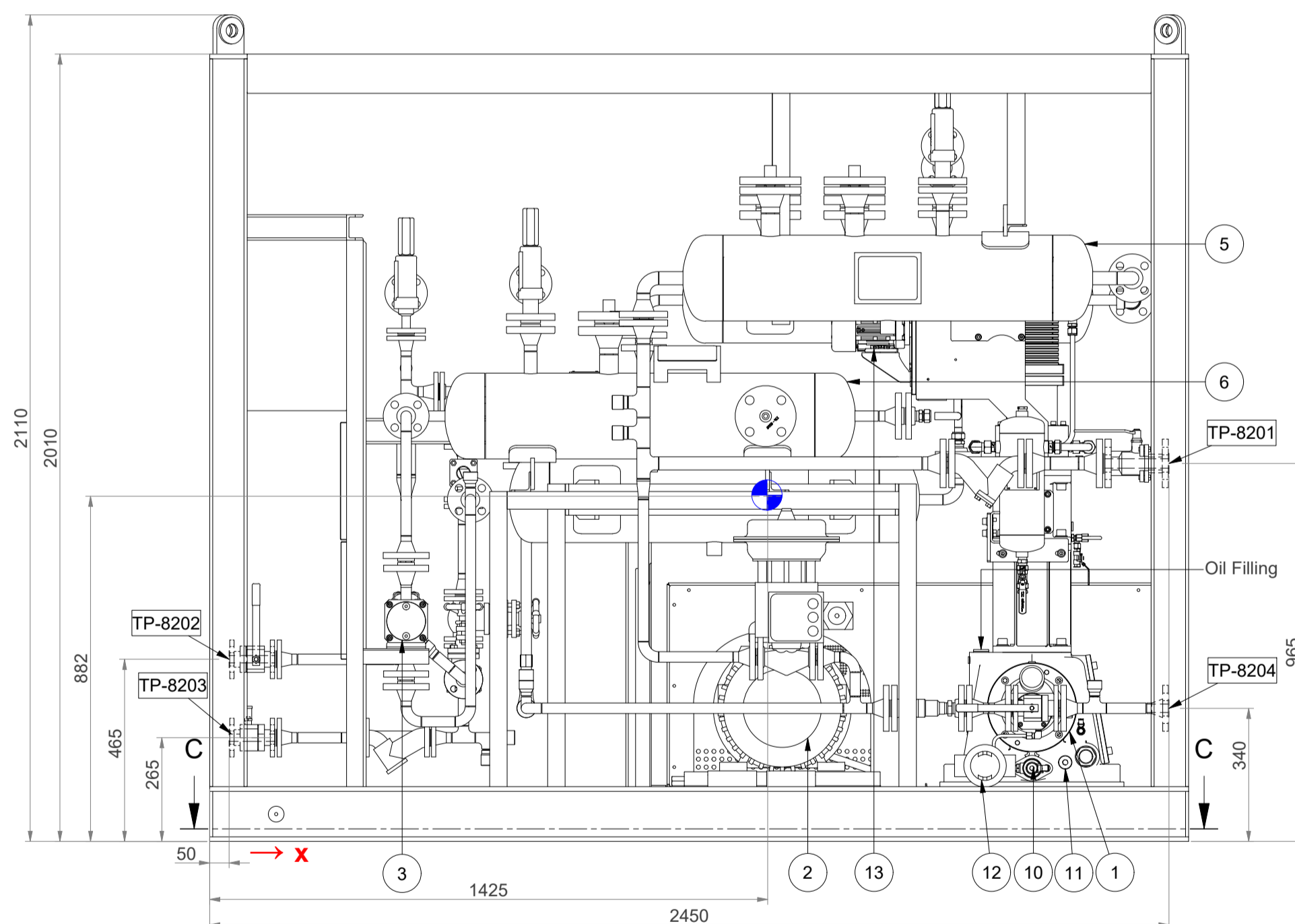


TOP
FRONT

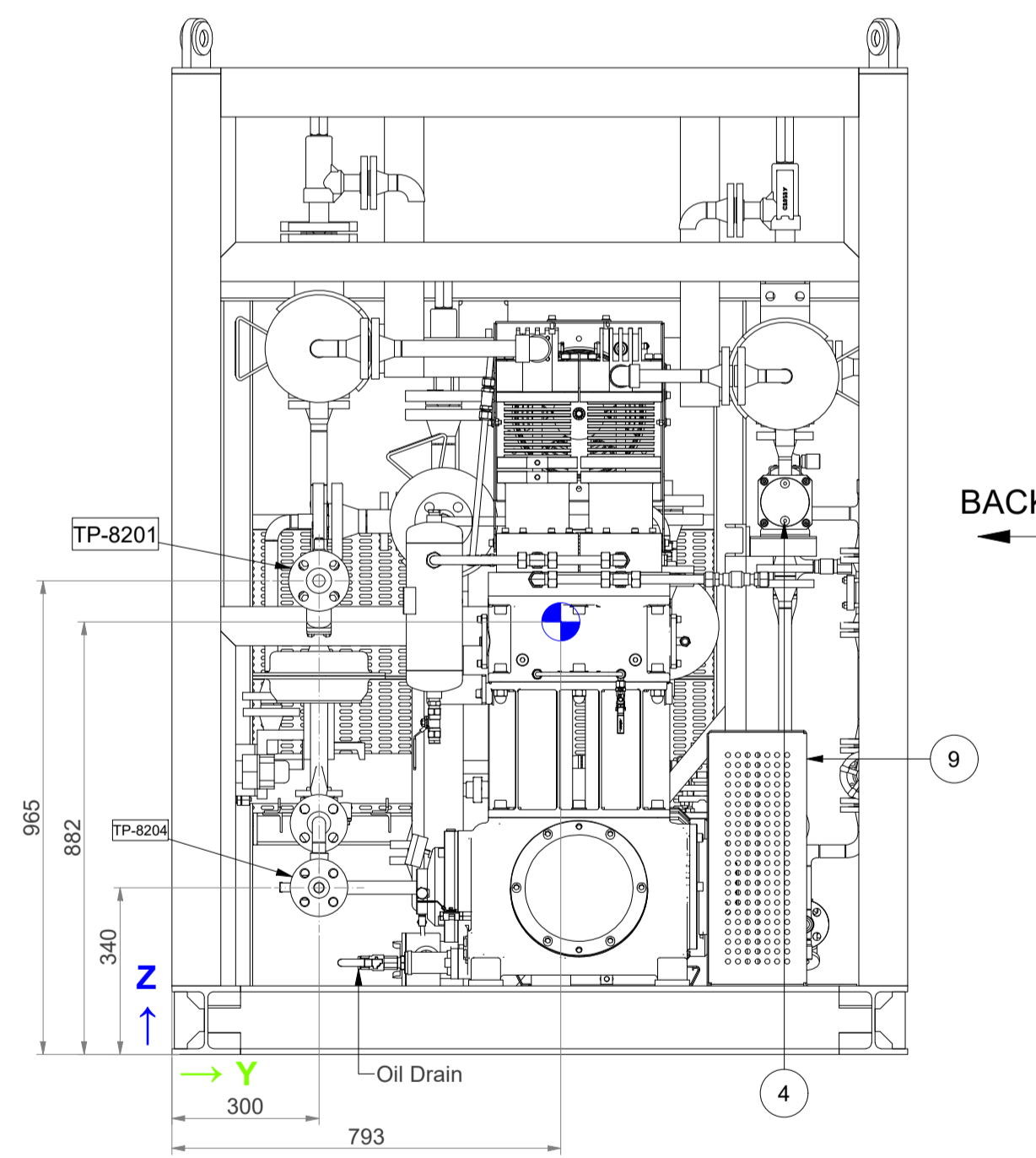
LEFT



FRONT



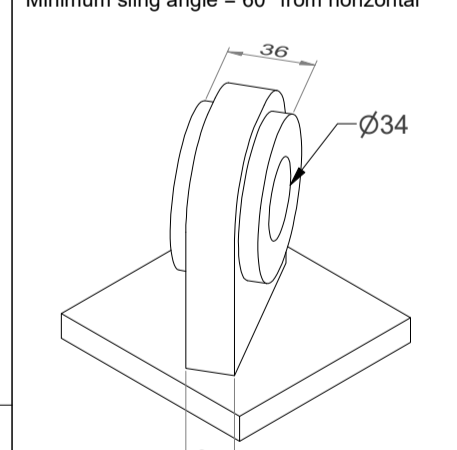
RIGHT



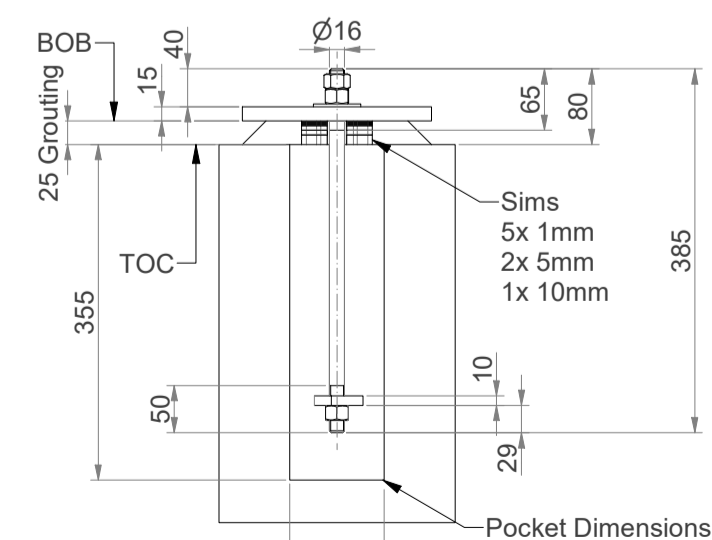
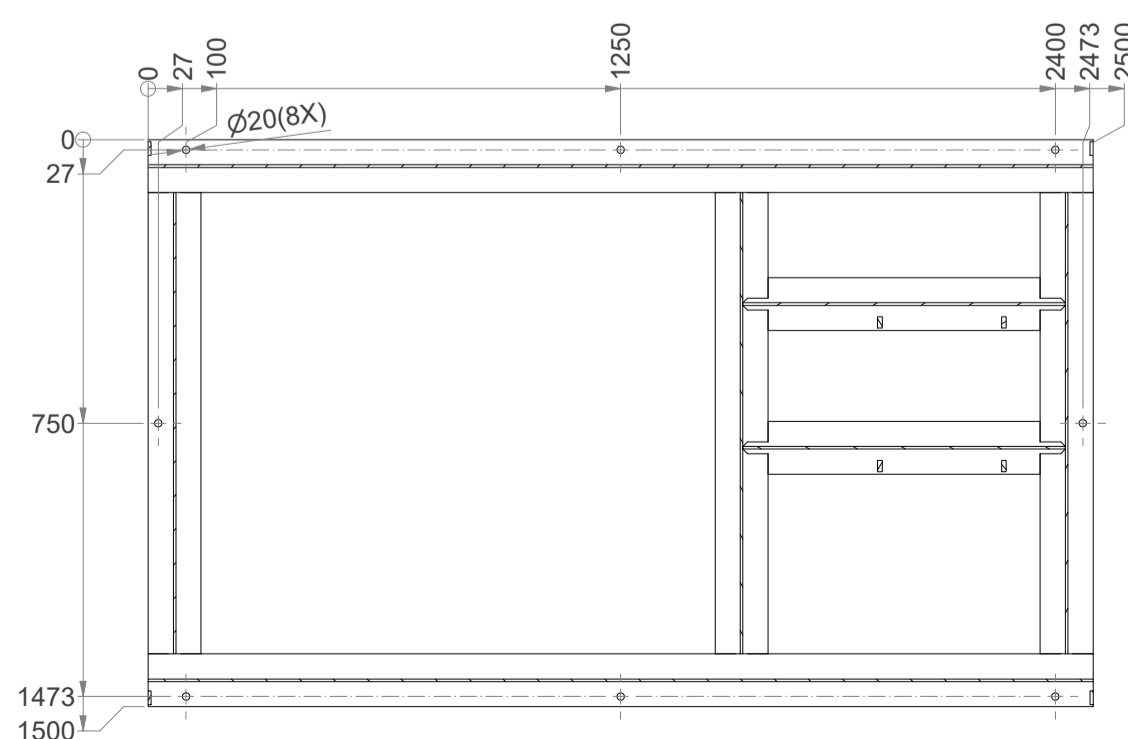
BACK

LIFTING LUG DETAIL

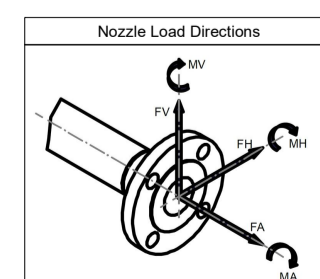
4x lifting lug can be used for single point lifting
Minimum sling angle = 60° from horizontal



C-C / FOUNDATION LAYOUT



- Notes on foundation details:
- 8x T.EN/ISO 8.8 19 MnB4.16.80.305 Anchor bolts acc.: N278-000-ST-JSC-1700-003-REV-03
 - Skid will be supported on 25mm thk non-shrink cementitious grout
 - No dynamic forces is envisaged on foundation or dynamic forces are negligible
 - No filling of concrete inside the skid is required



Tie in Points Max. External Allowable Nozzle Loads from outside Package											
TP	Size	Nozzle Data	FH	FV	FA	MH	MA	MV	Pos. X	Pos. Y	Pos. Z
			(+/-)	(+/-)	(+/-)	(+/-)	(+/-)	(+/-)			
TP-8201	1" 300# RF B16.5	Air Inlet	1	1	1	0.3	1	0.3	2450	300	965
TP-8204	3/4" 300# RF B16.5	Air Outlet	1	1	1	0.3	1	0.3	2450	300	440
TP-8203	1/2" 150# RF B16.5	Cooling water inlet	1	1	1	0.3	1	0.3	50	1290	265
TP-8202	1/2" 150# RF B16.5	Cooling water outlet	1	1	1	0.3	1	0.3	50	1250	465

REFERENCE DOCUMENTS	
DESCRIPTION	DOCUMENT NUMBER
PSAD	N-278-VD-6019-PR-GAD-0002-01
Outline Dimensional Drawings for LOP Panel and Junction Box	N-278-VD-6019-PR-GAD-0007-01
Equipment Data Sheet	N-278-VD-6019-PR-GAD-0011-01
Inner / Outer Cooler Data Sheet	N-278-VD-6019-PR-GAD-0012-01
Package Nameplate Drawing	N-278-VD-6019-PR-GAD-0017-01

No.	Item	Tag nr.	Remarks
1	Compressor	K-020	Model 18V130
2	Main Motor	K-020	11 kW 1450rpm
3	Inner Cooler	KE-020-001	
4	Filter Cooler	KE-020-002	
5	Purification Damper 1st	KV-020-001	Suction side
6	Purification Damper 1st	KV-020-002	Discharge side
7	Purification Damper 2nd	KV-020-003	Suction side
8	Purification Damper 2nd	KV-020-004	Discharge side
9	Valve Guard		
10	Lube Oil Pump		
11	Pump		
12	Oil sparge heater	KH-020-001	
13	Fan Motor	KM-020-003	11 kW
14	Local Purification Station	105LP-820	
15	Junction Box	100JAN-820	

CALCULATED WEIGHT DATA (kg)	
Skid dry weight	2790
Skid operational weight	2790
Maintenance weight max.	320 (main e-motor)
Compressor	420
Purification Dampers	28
Inner / Outer Cooler	15

Client	ISO-2768-1 (v)	Tolerances acc. to:	Client Ref.	Client Doc. No.	Project	Projection	Subject
Lavan Industry Development Company (LIDCO)	K-020	ISO-2768-1 (v)	K-020 Integrated Methanol and Ammonia Plant	N-278-VD-6019-PR-GAD-0003-01	High Pressure Air Compressor	1st Angle	High Pressure Air Compressor

REV	DATE	BY	CHKD	APP'D
1	11-4-2024	FVT	SK	
0	28-12-2023	FVT	SK	

MODIFICATIONS	REV	DATE	BY	CHKD	APP'D
11-4-2024	1	11-4-2024	FVT	SK	

Client	Project Location	Scale	Plant Location
Lavan Industry Development Company (LIDCO)	Onshore	1:1	Onshore

Client	Project Location	Scale	Plant Location
Lavan Industry Development Company (LIDCO)	Onshore	1:1	Onshore

Client	Project Location	Scale	Plant Location
Lavan Industry Development Company (LIDCO)	Onshore	1:1	Onshore

Client	Project Location	Scale	Plant Location
Lavan Industry Development Company (LIDCO)	Onshore	1:1	Onshore

Client	Project Location	Scale	Plant Location
Lavan Industry Development Company (LIDCO)	Onshore	1:1	Onshore

Client	Project Location	Scale	Plant Location
Lavan Industry Development Company (LIDCO)	Onshore	1:1	Onshore

Client	Project Location	Scale	Plant Location
Lavan Industry Development Company (LIDCO)	Onshore	1:1	Onshore

Client	Project Location	Scale	Plant Location
Lavan Industry Development Company (LIDCO)	Onshore	1:1	Onshore

Client	Project Location	Scale	Plant Location
Lavan Industry Development Company (LIDCO)	Onshore	1:1	Onshore

Client	Project Location	Scale	Plant Location
Lavan Industry Development Company (LIDCO)	Onshore	1:1	Onshore

Client	Project Location	Scale	Plant Location
Lavan Industry Development Company (LIDCO)	Onshore	1:1	Onshore

Client	Project Location	Scale	Plant Location
Lavan Industry Development Company (LIDCO)	Onshore	1:1	Onshore

Client	Project Location	Scale	Plant Location
Lavan Industry Development Company (LIDCO)	Onshore	1:1	Onshore

Client	Project Location	Scale	Plant Location
Lavan Industry Development Company (LIDCO)	Onshore	1:1	Onshore

Client	Project Location	Scale	Plant Location
Lavan Industry Development Company (LIDCO)	Onshore	1:1	Onshore

Client	Project Location	Scale	Plant Location
Lavan Industry Development Company (LIDCO)	Onshore	1:1	Onshore

Client	Project Location	Scale	Plant Location
Lavan Industry Development Company (LIDCO)	Onshore	1:1	Onshore

Client	Project Location	Scale	Plant Location
Lavan Industry Development Company (LIDCO)	Onshore	1:1	Onshore

Client	Project Location	Scale	Plant Location
Lavan Industry Development Company (LIDCO)	Onshore	1:1	Onshore

Client	Project Location	Scale	Plant Location
Lavan Industry Development Company (LIDCO)	Onshore	1:1	Onshore

Client	Project Location	Scale	Plant Location
Lavan Industry Development Company (LIDCO)	Onshore	1:1	Onshore

Client	Project Location	Scale	Plant Location
Lavan Industry Development Company (LIDCO)	Onshore	1:1	Onshore

Client	Project Location	Scale	Plant Location
Lavan Industry Development Company (LIDCO)	Onshore	1:1	Onshore

Client	Project Location	Scale	Plant Location
Lavan Industry Development Company (LIDCO)	Onshore	1:1	Onshore

Client	Project Location	Scale	Plant Location
Lavan Industry Development Company (LIDCO)	Onshore	1:1	Onshore

Client	Project Location	Scale	Plant Location
Lavan Industry Development Company (LIDCO)	Onshore	1:1	Onshore

Client	Project Location	Scale	Plant Location
Lavan Industry Development Company (LIDCO)	Onshore	1:1	Onshore

Client	Project Location	Scale	Plant Location
Lavan Industry Development Company (LIDCO)	Onshore	1:1	Onshore

Client	Project Location	Scale	Plant Location
Lavan Industry Development Company (LIDCO)	Onshore	1:1	Onshore

Client	Project Location	Scale	Plant Location
Lavan Industry Development Company (LIDCO)	Onshore	1:1	Onshore

Client	Project Location	Scale	Plant Location
Lavan Industry Development Company (LIDCO)	Onshore	1:1	Onshore

Client	Project Location	Scale	Plant Location
Lavan Industry Development Company (LIDCO)	Onshore	1:1	Onshore

Client	Project Location	Scale	Plant Location
Lavan Industry Development Company (LIDCO)	Onshore	1:1	Onshore

Client	Project Location	Scale	Plant Location
Lavan Industry Development Company (LIDCO)	Onshore	1:1	Onshore

Client	Project Location	Scale	Plant Location
Lavan Industry Development Company (LIDCO)	Onshore	1:1	Onshore

Client	Project Location	Scale	Plant Location
Lavan Industry Development Company (LIDCO)	Onshore	1:1	Onshore

Client	Project Location	Scale	Plant Location
Lavan Industry Development Company (LIDCO)	Onshore	1:1	Onshore

Client	Project Location	Scale	Plant Location
Lavan Industry Development Company (LIDCO)	Onshore	1:1	Onshore

Client	Project Location	Scale	Plant Location
Lavan Industry Development Company (LIDCO)	Onshore	1:1	Onshore

Client	Project Location	Scale	Plant Location
Lavan Industry Development Company (LIDCO)	Onshore	1:1	Onshore

Client	Project Location	Scale	Plant Location
Lavan Industry Development Company (LIDCO)	Onshore	1:1	Onshore

Client	Project Location	Scale	Plant Location
Lavan Industry Development Company (LIDCO)	Onshore	1:1	Onshore

Client	Project Location	Scale	Plant Location
Lavan Industry Development Company (LIDCO)	Onshore	1:1	Onshore

Client	Project Location	Scale	Plant Location
Lavan Industry Development Company (LIDCO)	Onshore	1:1	Onshore

Client	Project Location	Scale	Plant Location
Lavan Industry Development Company (LIDCO)	Onshore	1:1	Onshore

Client	Project Location	Scale	Plant Location
Lavan Industry Development Company (LIDCO)	Onshore	1:1	Onshore

Client	Project Location	Scale	Plant Location
Lavan Industry Development Company (LIDCO)	Onshore	1:1	Onshore

Client	Project Location	Scale	Plant Location
Lavan Industry Development Company (LIDCO)	Onshore	1:1	Onshore

Client	Project Location	Scale	Plant Location
Lavan Industry Development Company (LIDCO)	Onshore	1:1	Onshore

Client	Project Location	Scale	Plant Location
Lavan Industry Development Company (LIDCO)	Onshore	1:1	Onshore

Client	Project Location	Scale	Plant Location
Lavan Industry Development Company (LIDCO)	Onshore	1:1	Onshore

Client	Project Location	Scale	Plant Location
Lavan Industry Development Company (LIDCO)	Onshore	1:1	Onshore

Client	Project Location	Scale	Plant Location
Lavan Industry Development Company (LIDCO)	Onshore	1:1	Onshore

Client	Project Location	Scale	Plant Location
Lavan Industry Development Company (LIDCO)	Onshore	1:1	Onshore

Client	Project Location	Scale	Plant Location
Lavan Industry Development Company (LIDCO)	Onshore	1:1	Onshore

Client	Project Location	Scale	Plant Location
Lavan Industry Development Company (LIDCO)	Onshore	1:1	Onshore

Client	Project Location	Scale	Plant Location
Lavan Industry Development Company (LIDCO)	Onshore	1:1	Onshore

Client	Project Location	Scale	Plant Location
Lavan Industry Development Company (LIDCO)	Onshore	1:1	Onshore

Client	Project Location	Scale	Plant Location
Lavan Industry Development Company (LIDCO)	Onshore	1:1	Onshore

Client	Project Location	Scale	Plant Location
Lavan Industry Development Company (LIDCO)	Onshore	1:1	Onshore

Client	Project Location	Scale	Plant Location
Lavan Industry Development Company (LIDCO)	Onshore	1:1	Onshore

Client	Project Location	Scale	Plant Location
Lavan Industry Development Company (LIDCO)	Onshore	1:1	Onshore

Client	Project Location	Scale	Plant Location
Lavan Industry Development Company (LIDCO)	Onshore	1:1	Onshore

Client	Project Location	Scale	Plant Location
Lavan Industry Development Company (LIDCO)	Onshore	1:1	Onshore

Client	Project Location	Scale	Plant Location
Lavan Industry Development Company (LIDCO)	Onshore	1:1	Onshore

Client	Project Location	Scale	Plant Location
Lavan Industry Development Company (LIDCO)	Onshore	1:1	Onshore

Client	Project Location	Scale	Plant Location
Lavan Industry Development Company (LIDCO)	Onshore	1:1	Onshore

Client	Project Location	Scale	Plant Location
Lavan Industry Development Company (LIDCO)	Onshore	1:1	Onshore

Client	Project Location	Scale	Plant Location
Lavan Industry Development Company (LIDCO)	Onshore	1:1	Onshore

Client	Project Location	Scale	Plant Location
Lavan Industry Development Company (LIDCO)	Onshore	1:1	Onshore

Client	Project Location	Scale	Plant Location
Lavan Industry Development Company (LIDCO)	Onshore	1:1	Onshore

Client	Project Location	Scale	Plant Location
Lavan Industry Development Company (LIDCO)	Onshore	1:1	Onshore

Client	Project Location	Scale	Plant Location
Lavan Industry Development Company (LIDCO)	Onshore	1:1	Onshore

Client	Project Location	Scale	Plant Location
Lavan Industry Development Company (LIDCO)	Onshore	1:1</	