



LIDCO, Pars SEE Zone, Assaluyeh,  
Integrated Methanol and Ammonia  
Plant 3000 MTPD MeOH / 900 MTPD NH3 PROJECT



General Arrangement Drawing (incl foundation load details)



Document No. 17735-04

Project No.	Vendor Doc.	P.O. No.	Department	Document Type	Serial No	Revision	Page
N278	VD	6019	PR	GAD	0003	04	Page 1 of 3

**Airpack B.V. - Air Compressor –  
Integrated Methanol and Ammonia Plant  
17735-COM General Arrangement Drawing (incl foundation load  
details) (K020)**

Code 2  
M.Dalakeh

04	31-07-2024	Issued for Approval	F.T.	S.K.	J.J.
03	21-06-2024	Issued for Approval	F.T.	S.K.	J.J.
02	17-04-2024	Issued for Approval	F.T.	S.K.	J.J.
01	02-01-2024	Issued for Approval	F.T.	S.K.	J.J.
REV.	DATE	DESCRIPTION	DRAWN	CHECKED	APPROVED

This document has been produced by Contractor for LIDCO. It is confidential and cannot be disclosed to or used by any third party for any purpose without prior written consent.

General Arrangement Drawing (incl foundation load details)

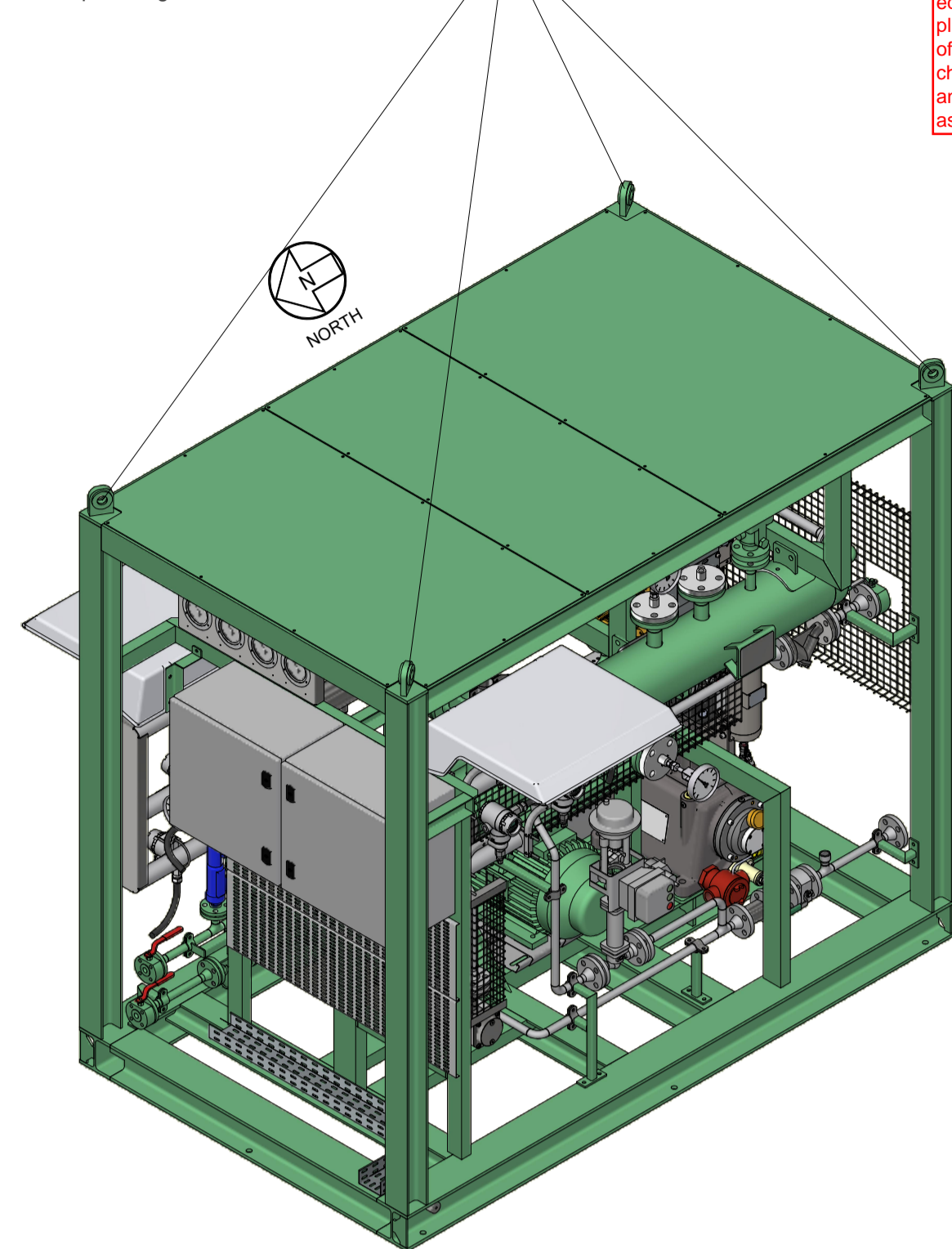
Document No. 17735-04

Project No.	Vendor Doc.	P.O. No.	Department	Document Type	Serial No	Revision	Page
N278	VD	6019	PR	GAD	0003	04	Page 2 of 3

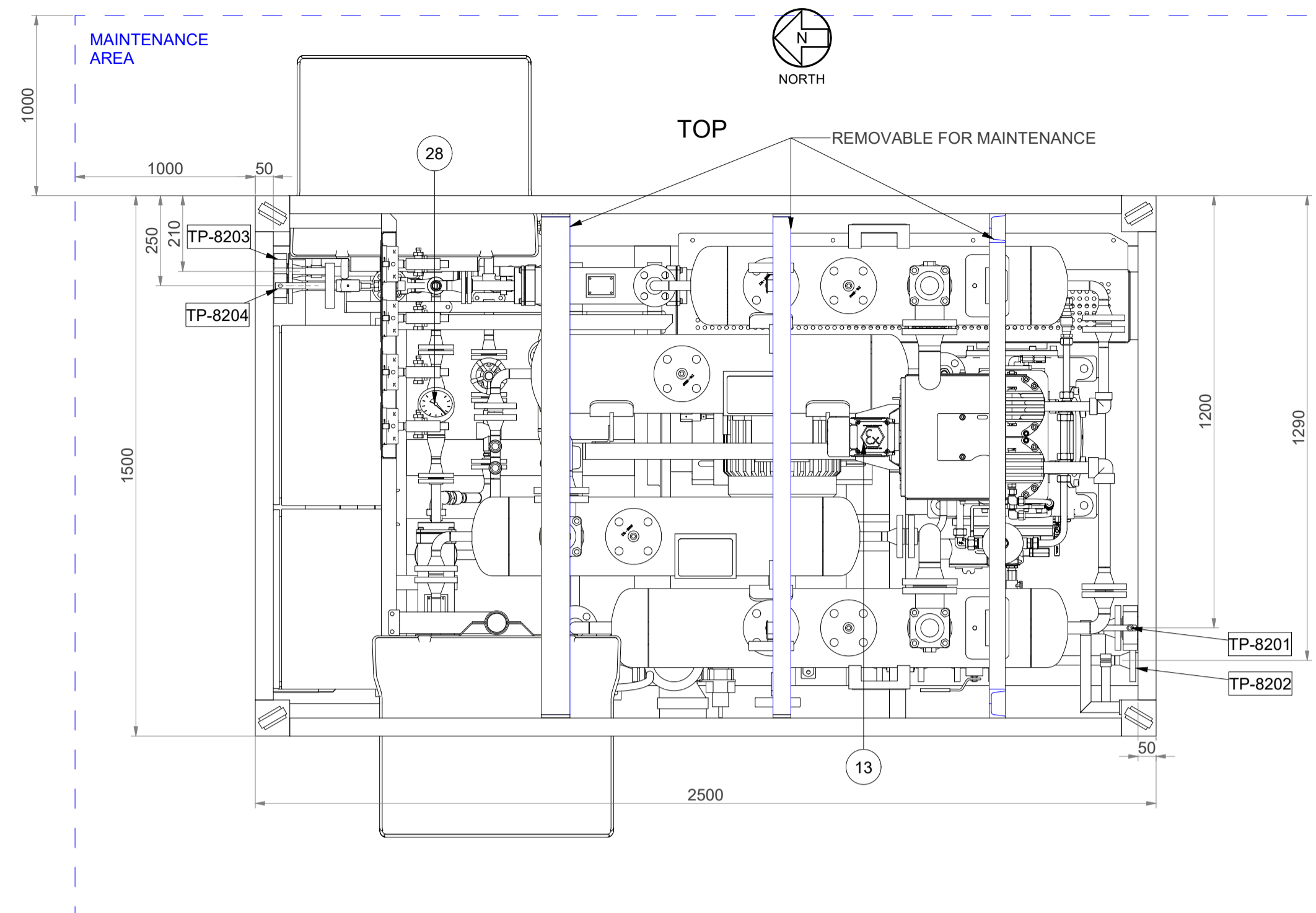
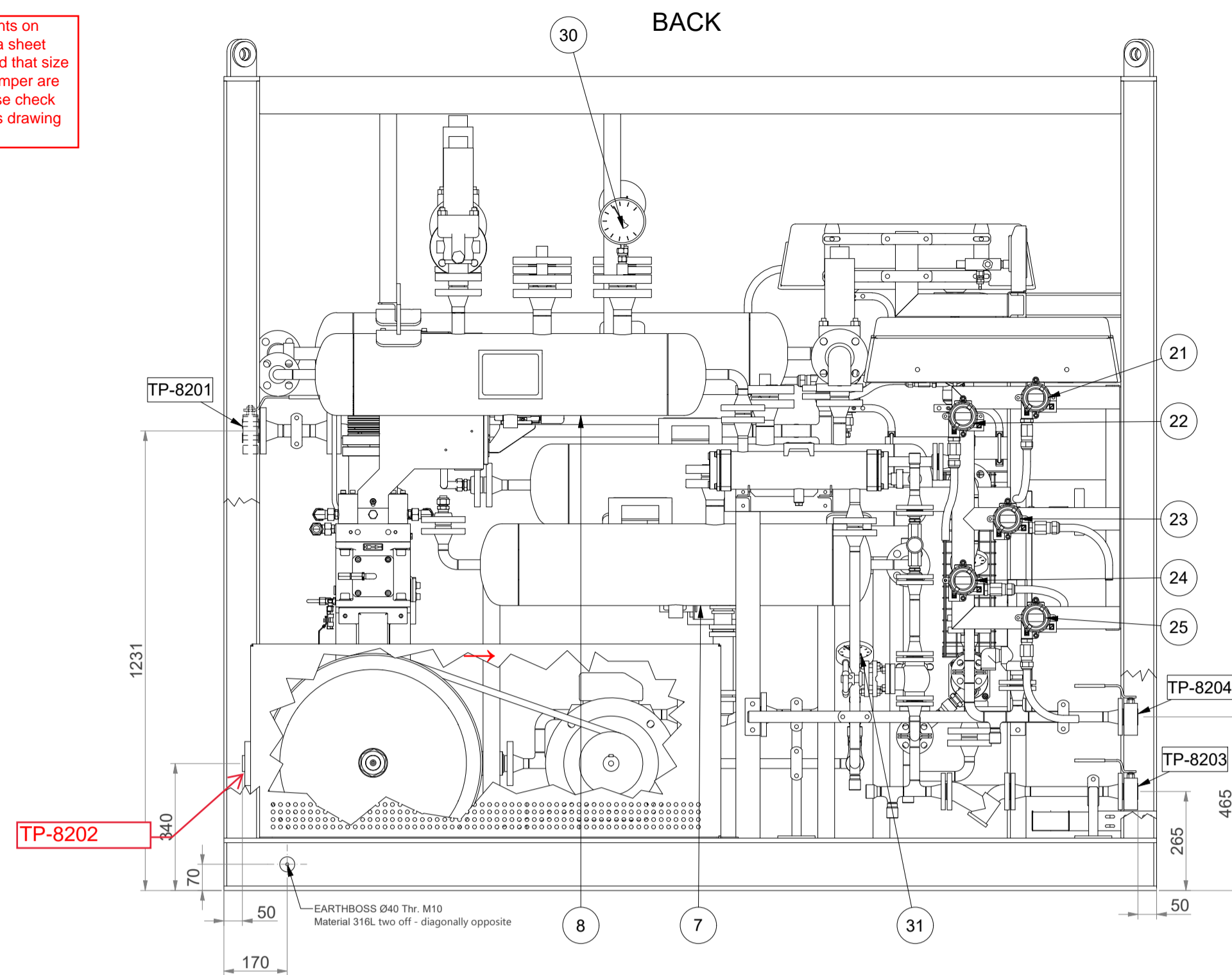
LIST OF REVISED PAGES

Rev. Page	01	02	03	04	05	Rev. Page	01	02	03	04	05	Rev. Page	01	02	03	04	05	Rev. Page	01	02	03	04	05	
1	X	X	X	X		26						51						76						
2	X	X	X	X		27						52						77						
3	X	X	X	X		28						53						78						
4						29						54						79						
5						30						55						80						
6						31						56						81						
7						32						57						82						
8						33						58						83						
9						34						59						84						
10						35						60						85						
11						36						61						86						
12						37						62						87						
13						38						63						88						
14						39						64						89						
15						40						65						90						
16						41						66						91						
17						42						67						92						
18						43						68						ATTACHMENT						
19						44						69						1						
20						45						70						2						
21						46						71						3						
22						47						72						4						
23						48						73						5						
24						49						74						6						
25						50						75						7						

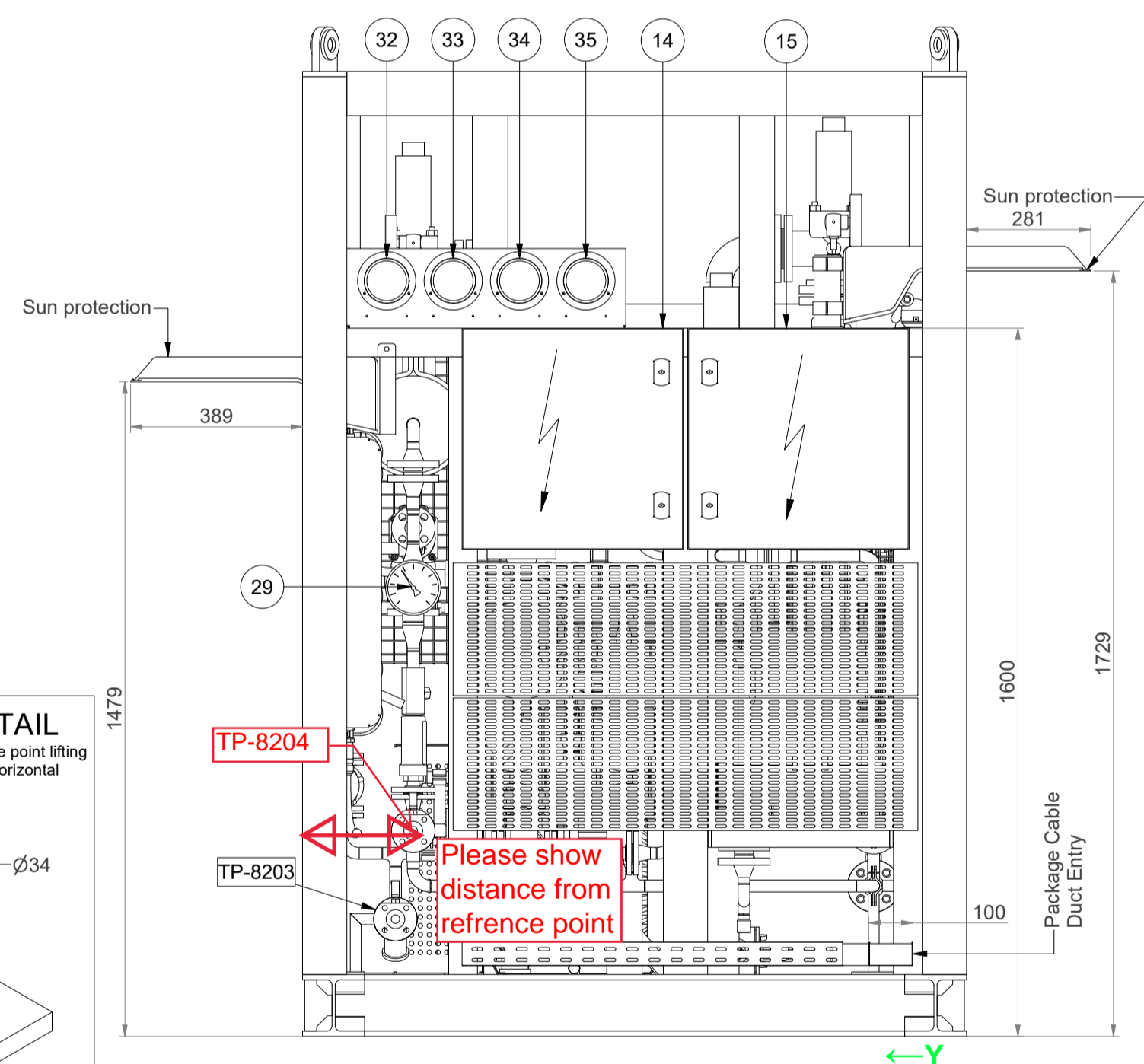
4x lifting lug can be used for single point lifting  
Minimum sling angle = 60° from horizontal  
SWL = Transport weight



As per comments on equipment data sheet please be noted that size of pulsation damper are changed, please check and update this drawing as well.

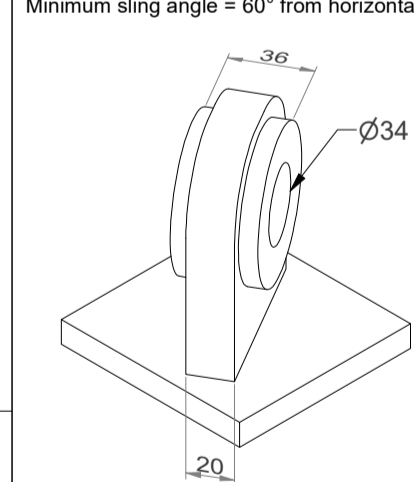


LEFT



LIFTING LUG DETAIL

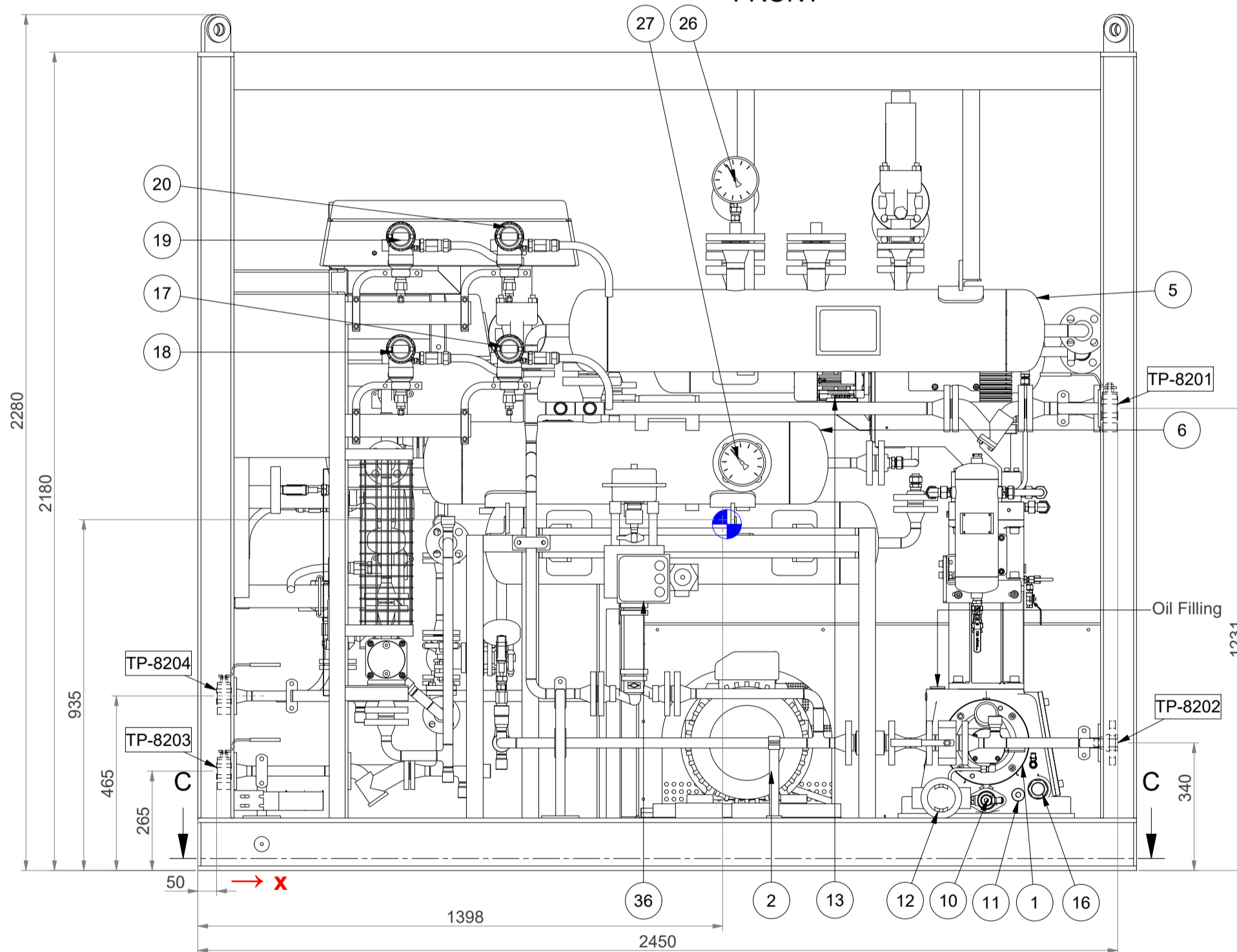
4x lifting lug can be used for single point lifting  
Minimum sling angle = 60° from horizontal



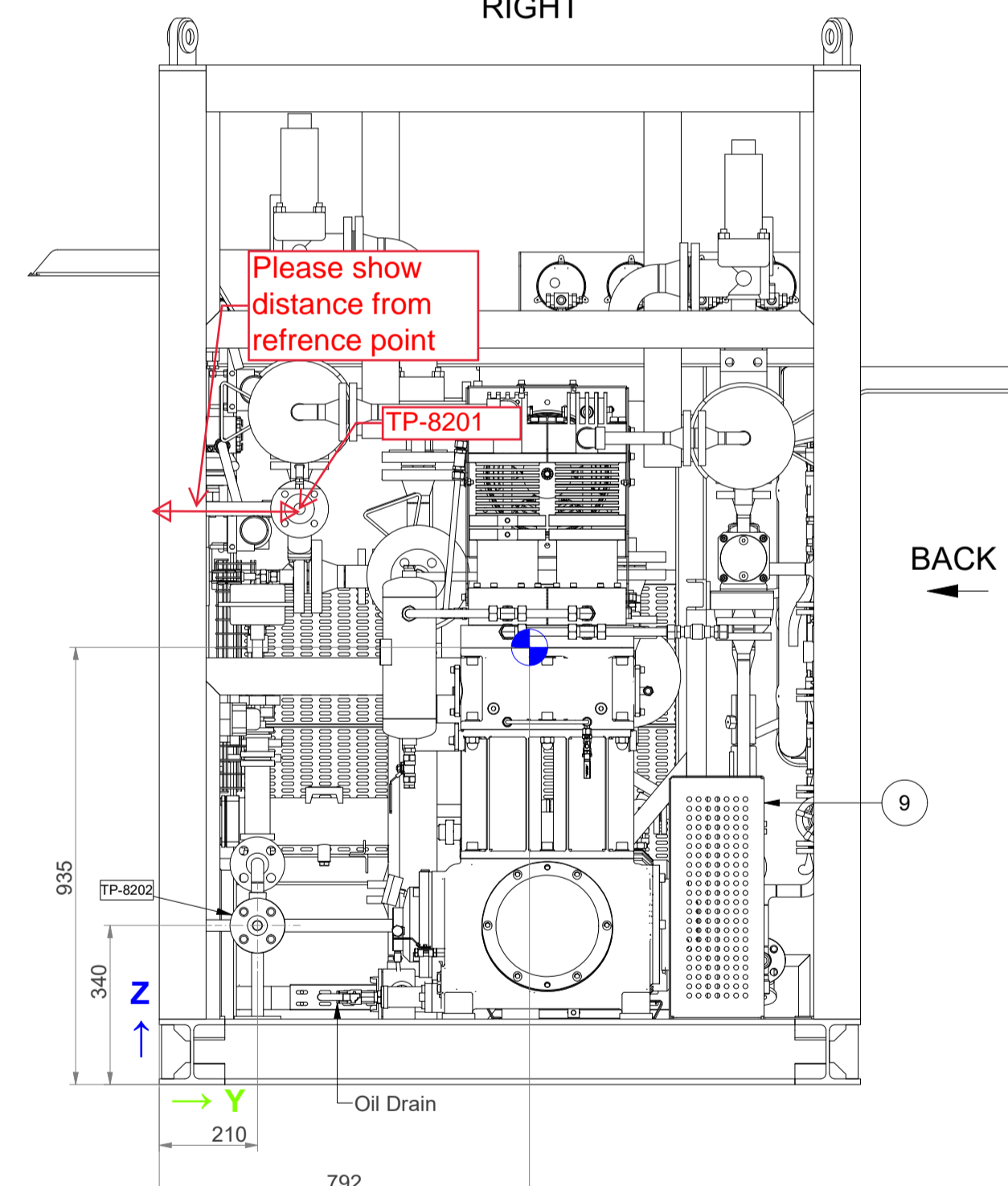
TP-8204  
TP-8203

Please show distance from reference point

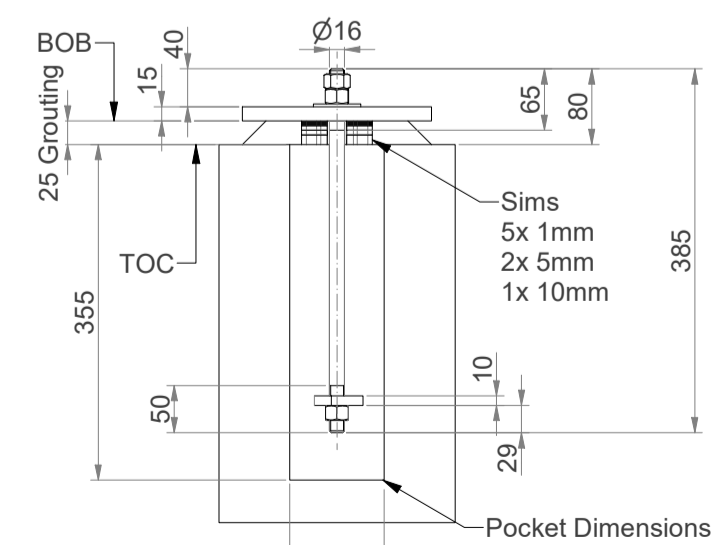
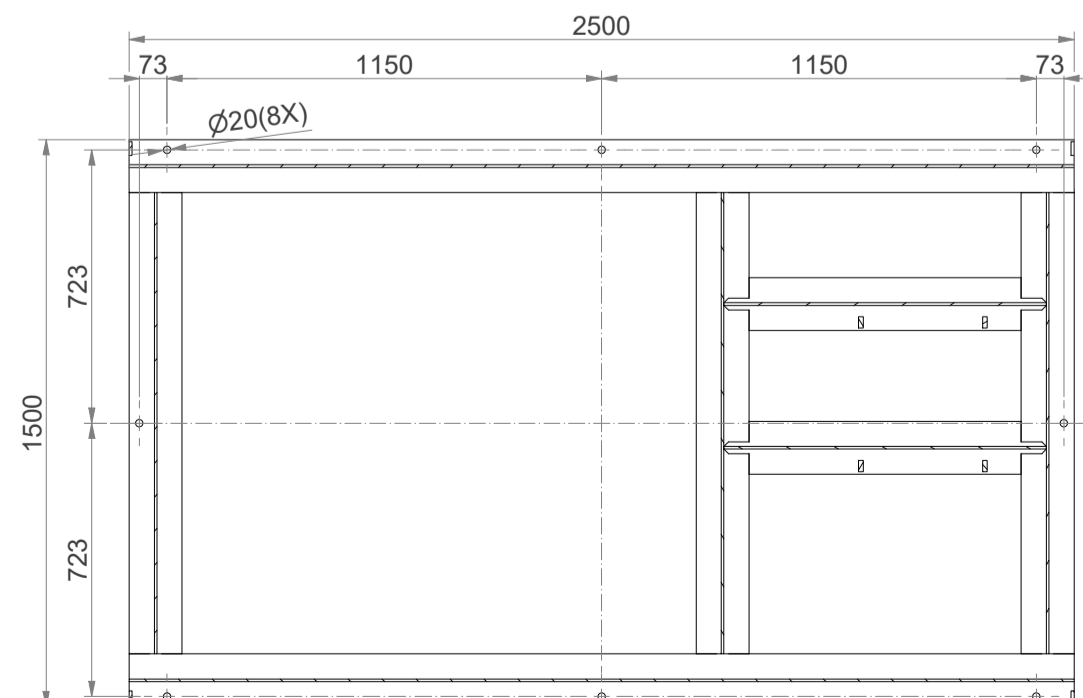
TOP  
FRONT



RIGHT

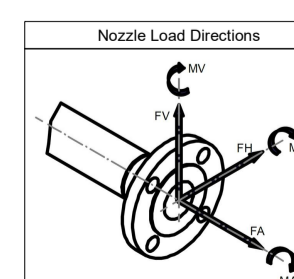


C-C / FOUNDATION LAYOUT



Notes on foundation details:

- 8x T.EN/ISO 8.8 19 MnB4.16.80.305 Anchor bolts acc.: N278-000-ST-JSC-1700-003-REV-03
- Skid will be supported on 25mm thk non-shrink cementitious grout
- No dynamic forces is envisaged on foundation or dynamic forces are negligible
- No filling of concrete inside the skid is required



Tie in Points Max. External Allowable Nozzle Loads from outside Package											
TP	Size	Nozzle Data	FH (+/-)	FV (+/-)	FA (+/-)	MH (+/-)	MA (+/-)	MV (+/-)	Pos. X	Pos. Y	Pos. Z
TP-8201	1" 300# RF B16.5	Air Inlet	1	1	1	0.3	1	0.3	2450	300	1231
TP-8202	3/4" 300# RF B16.5	Air Outlet	1	1	1	0.3	1	0.3	2450	210	340
TP-8203	1/2" 150# RF B16.5	Cooling water inlet	1	1	1	0.3	1	0.3	50	1290	265
TP-8204	3/4" 150# RF B16.5	Cooling water outlet	1	1	1	0.3	1	0.3	50	1250	465
			(kN)	(kN)	(kN)	(kNm)	(kNm)	(kNm)	(mm)	(mm)	(mm)

REFERENCE DOCUMENTS		DOCUMENT NUMBER
PAID	Customer Dimensional Drawings for LCP Panel and Junction Box	N-278-VD-6019-PR-PID-0002-01
	Equipment Data Sheet	N-278-VD-6019-PR-EDS-0002-01
	Inter - After Cooler Data Sheet	N-278-VD-6019-PR-ACS-0001-01
	Inter - After Cooler Data Sheet	N-278-VD-6019-PR-ACS-0002-01
	Working Material Drawings	N-278-VD-6019-PR-WM-0001-01

No.	Item	Tag no.	Remarks
1	Compressor	K-000-001	Model RBV-130
2	Main Motor	KM-020-001	T1 11kW/4850m
3	Inter Cooler	KE-020-001	
4	After Cooler	KE-020-002	Custom side
5	Pulsation Damper 1st	KV-020-001	Custom side
6	Pulsation Damper 1st	KV-020-002	Discharge side
7	Pulsation Damper 2nd	KV-020-003	Custom side
8	Pulsation Damper 2nd	KV-020-004	Discharge side
9	V-Belt Guard		
10	Lube Oil Pump		
11	Bump		80 W
12	Oil space heater	KH-020-001	
13	Fan Motor	KM-020-002	140 W
14	Local Distribution Station	LSD-020-001	
15	Junction Box	300JAN-400	
16	Oil level indicator		
17	Pressure Transmitter	PT-8201	
18	Pressure Transmitter	PT-8202	
19	Pressure Transmitter	PT-8203	
20	Pressure Transmitter	PT-8204	
21	Temperature Transmitter	TT-8201	
22	Temperature Transmitter	TT-8202	
23	Temperature Transmitter	TT-8203	
24	Temperature Transmitter	TT-8204	
25	Temperature Transmitter	TT-8205	
26	Temperature Gauge	TG-8206	
27	Temperature Gauge	TG-8207	
28	Temperature Gauge	TG-8210	
29	Temperature Gauge	TG-8211	
30	Temperature Gauge	TG-8208	
31	Temperature Gauge	TG-8209	
32	Pressure Gauge	PG-8201	
33	Pressure Gauge	PG-8202	
34	Pressure Gauge	PG-8203	
35	Pressure Gauge	PG-8204	
36	Pressure Control Valve	PCV-8201	

CALCULATED WEIGHT DATA (kg)	
Skid dry weight	2700
Skid operational weight	2700
Maintenance weight max.	320 (main e-motor)
Compressor	420
Pulsation Dampers	168
Inter After Cooler	15

Subject: High Pressure Air Compressor

Client	Tolerances acc. to:	PROJECTION	This drawing is owned by Airpack and shall not be printed or copied in any other way than with Airpack's PERMISSION
Lavan Industry Development Company (LIDCO)	ISO-2768-1 (v)	1st Angle	
Client Ref: K-020 Integrated Methanol and Ammonia Plant	ISO-2768-1 (v)		
Client Doc. No: N-278-VD-6019-PR-GAD-0003-01	PAID REV. No.: 04		

Client	Client Ref.	Client Doc. No.	PAID REV. No.	PROJECTION	This drawing is owned by Airpack and shall not be printed or copied in any other way than with Airpack's PERMISSION
Lavan Industry Development Company (LIDCO)	K-020 Integrated Methanol and Ammonia Plant	N-278-VD-6019-PR-GAD-0003-01	04	1st Angle	

Client	Client Ref.	Client Doc. No.	PAID REV. No.	PROJECTION	This drawing is owned by Airpack and shall not be printed or copied in any other way than with Airpack's PERMISSION
Lavan Industry Development Company (LIDCO)	K-020 Integrated Methanol and Ammonia Plant	N-278-VD-6019-PR-GAD-0003-01	04	1st Angle	

Client	Client Ref.	Client Doc. No.	PAID REV. No.	PROJECTION	This drawing is owned by Airpack and shall not be printed or copied in any other way than with Airpack's PERMISSION
Lavan Industry Development Company (LIDCO)	K-020 Integrated Methanol and Ammonia Plant	N-278-VD-6019-PR-GAD-0003-01	04	1st Angle	

Client	Client Ref.	Client Doc. No.	PAID REV. No.	PROJECTION	This drawing is owned by Airpack and shall not be printed or copied in any other way than with Airpack's PERMISSION
Lavan Industry Development Company (LIDCO)	K-020 Integrated Methanol and Ammonia Plant	N-278-VD-6019-PR-GAD-0003-01	04	1st Angle	