







OWNER:  شرکت سست و سویی توپدا ایرانیان (سهامی خاص)	BUSHEHR PETROCHEMICAL COMPANY MEG PLANT						EPC CONTRACTOR:  Chagalesh-Enerechimi-Steam Joint Venture BUPC-MEG PLANT PROJECT		
	LOGIC DIAGRAMS-PROGRAM OF UCP - COMPRESSOR SHUTDOWN LOGIC DRAWING FOR NITROGEN GAS BOOSTER								
MC :  شرکت سست و سویی توپدا ایرانیان (سهامی خاص)	Project	Area	Phase	Unit	Dis.	Doc.	Seq.	Contract No : 52-98/445	
Owner Document Number: 17811-32A	BU	20	VD	303	IN	DIG	0035	Rev.:	Page
								02	1 of 15

Repeated Comment

- Following items are missed, please consider in logic :
 - HS-108-SD-1 Emergency Shutdown Command from ESD System
 - XAL-108-2 Shutdown status to ESD System
 - Heater

Any changes shall be specified with revision mark and revision cloud.

LOGIC DIAGRAMS-PROGRAM OF UCP - COMPRESSOR SHUTDOWN LOGIC DRAWING FOR NITROGEN GAS BOOSTER

 شرکت سست و سویی توپدا ایرانیان (سهامی خاص)	 Chagalesh-Enerechimi-Steam Joint Venture BUPC-MEG PLANT PROJECT	BUSHEHR PETROCHEMICAL COMPANY MEG PLANT
Document Review		
Issue Purpose:	AFC	
Result Code: AP,AN,CM,RE,NC	AN	
Next Status : IFC,IFA,IFI,AFC,AB	AFC	
Responsible Department	MECHANICAL	
Commented Date	Jan/20/2022	
Approval or review hereunder shall not be construed to relieve Vendor / Subcontractor of his responsibilities and liability under the contract.		

02	06/01/2022	Approve For Construction	WZ	KP	JR	
01	30/11/2021	For approval	WZ	KP	JR	
00	24/11/2020	For approval	TJ	RB	JR	
Rev.	Date	Purpose of Issue	Prepared	Checked	Approved	AC Code
					Class: 1	Phase: P

SYMBOL	FUNCTION	DESCRIPTION
	AND	OUTPUT D EXISTS ONLY IF AND WHILE INPUTS A,B AND C EXIST.
	OR	OUTPUT D EXISTS ONLY IF AND WHILE ONE OR MORE OF INPUTS A,B OR C EXIST.
	XOR	OUTPUT D EXISTS ONLY IF AND WHILE ONE OF INPUTS A,B OR C EXIST.
	NOT	OUTPUT B EXISTS ONLY IF AND WHILE INPUT A DOES NOT EXIST.
	TIMER (DELAY INITIATION)	THE CONTINUOUS EXISTENCE OF INPUT A FOR TIME T CAUSES OUTPUT B TO EXIST WHEN THE TIME T EXPIRES. B TERMINATES IMMEDIATELY WHEN A TERMINATES.
	TIMER (DELAY TERMINATION)	THE EXISTENCE OF INPUT A CAUSES OUTPUT B TO EXIST IMMEDIATELY. B TERMINATES WHEN A HAS TERMINATED AND HAS NOT AGAIN EXISTED FOR TIME T.
	PULSE OUTPUT	THE EXISTENCE OF INPUT A CAUSES OUTPUT B TO EXIST IMMEDIATELY. B EXISTS FOR TIME T, REGARDLESS OF THE STATE OF A.
	FLIP-FLOP MEMORY (SET PRIORITY)	OUTPUT C EXISTS AS SOON AS A EXISTS. C CONTINUES TO EXIST, REGARDLESS OF THE SUBSEQUENT STATE OF A, UNTIL THE MEMORY IS RESET (I.E; TERMINATED BY B EXISTING) C REMAINS TERMINATED, REGARDLESS OF THE SUBSEQUENT STATE OF B, UNTIL A CAUSES THE MEMORY TO BE SET. IF A AND B EXIST SIMULTANEOUSLY, A OVERRIDES B.
	FLIP-FLOP MEMORY (RESET PRIORITY)	OUTPUT C EXISTS AS SOON AS A EXISTS. C CONTINUES TO EXIST, REGARDLESS OF THE SUBSEQUENT STATE OF A, UNTIL THE MEMORY IS RESET (I.E; TERMINATED BY B EXISTING) C REMAINS TERMINATED, REGARDLESS OF THE SUBSEQUENT STATE OF B, UNTIL A CAUSES THE MEMORY TO BE SET. IF A AND B EXIST SIMULTANEOUSLY, B OVERRIDES A.
		LOGIC CONNECTION
		NO CONNECTION
		SERIAL LINK / FOUNDATION FIELDBUS PROTOCOL

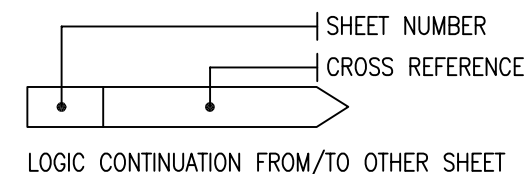
SYMBOL	DESCRIPTION
	EMERGENCY PUSHBUTTON, RED HEAD, STAY PUT.
	TOGGLE SWITCH
	PUSHBUTTON MOMENTARILY MAKE
	PUSHBUTTON MOMENTARILY BREAK
	CONTACT NORMALLY OPEN
	CONTACT NORMALLY CLOSED
	HARDWIRED INPUT/OUTPUT
	SOLENOID VALVE, 3-WAY
	DISTRIBUTED CONTROL SYSTEM
	PLC CONTROL SYSTEM
	DCS AUXILIARY CONSOLE
	LAMP
	HMI
	AUDIBLE ALARM
	RELAY COIL

ABBREVIATIONS

DCS : DISTRIBUTED CONTROL SYSTEM
 UCP : UNIT CONTROL PANEL
 LCP : LOCAL CONTROL PANEL
 PLC : PROGRAMMABLE LOGIC CONTROLLER
 I/P : INPUT
 O/P : OUTPUT
 ESD : EMERGENCY SHUTDOWN
 MCC : MOTOR CONTROL CENTRE

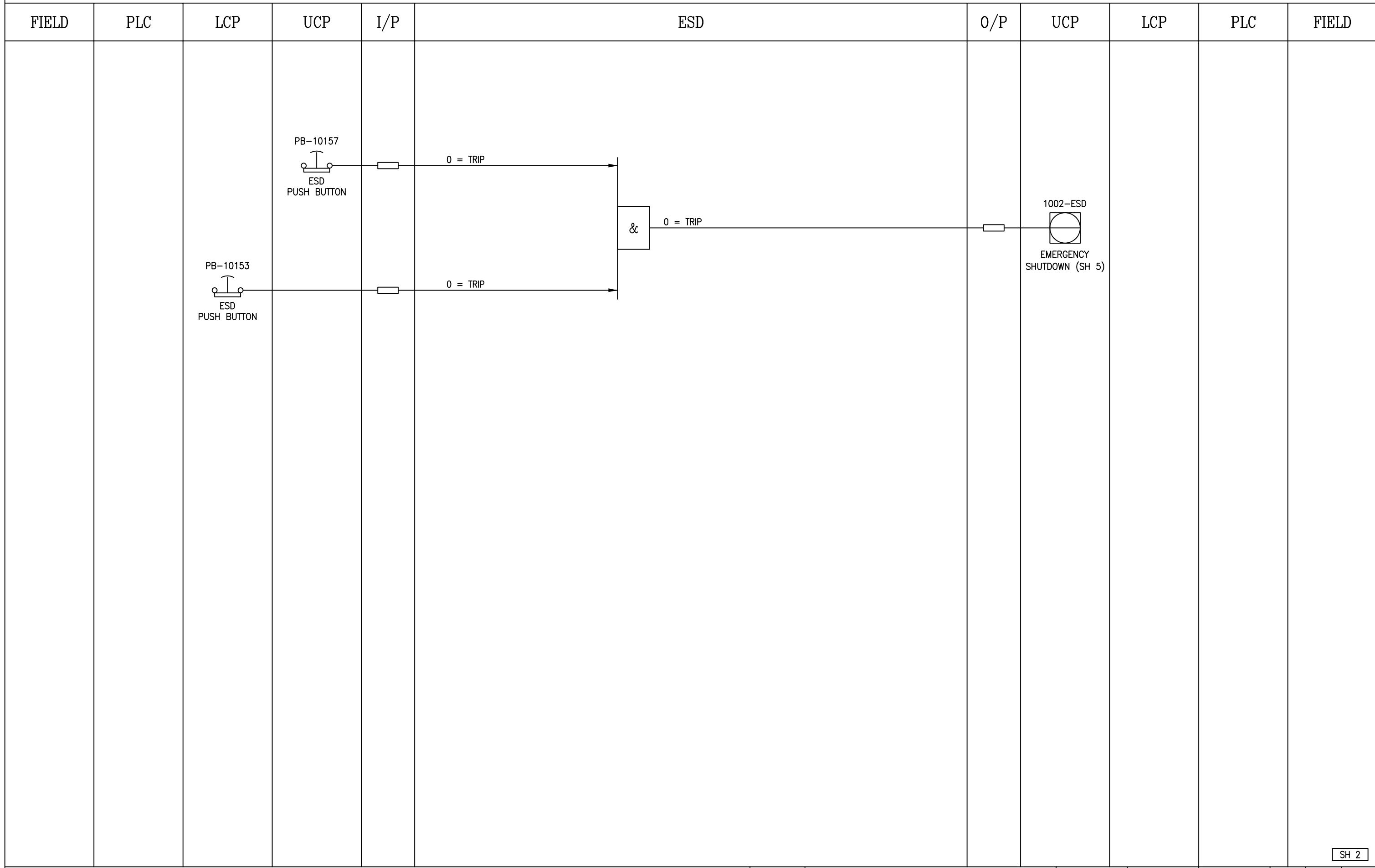
GENERAL NOTES

- SHUTDOWN CONDITION ;
0 = SHUTDOWN 1 = OPERATING
- ALARM/TRIP CONDITION ;
0 = ALARM 1=NORMAL
0 = TRIP 1=NORMAL
- REMOTE/LOCAL CONDITION ;
0 = LOCAL 1=REMOTE



SUBJECT	BUSHEHR PETROCHEMICAL COMPANY MEG PLANT NITROGEN COMPRESSOR	DATE	20-11-2020	THIS DRAWING IS OWNED BY AIRPACK AND SHALL NOT BE PRINTED OR COPIED IN ANY OTHER WAY THAN WITH AIRPACKS PERMISSION			
	CLIENT	BUSHEHR PETROCHEMICAL COMPANY (BUPC)	DRAWN BY		TJ		
CLIENT REF	20-C-1002	CHECKED BY	KP	PLANT LOCATION	IRAN	REV 02	03-01-2022 AS
AIRPACK REF	17811	DRAWING NO.	17811-32A	SHEETNO.	01 /13	REV 01	29-11-2021 WZ
						REV 00	20-11-2020 TJ

LOGIC DIAGRAM



SH 2

NOTES:



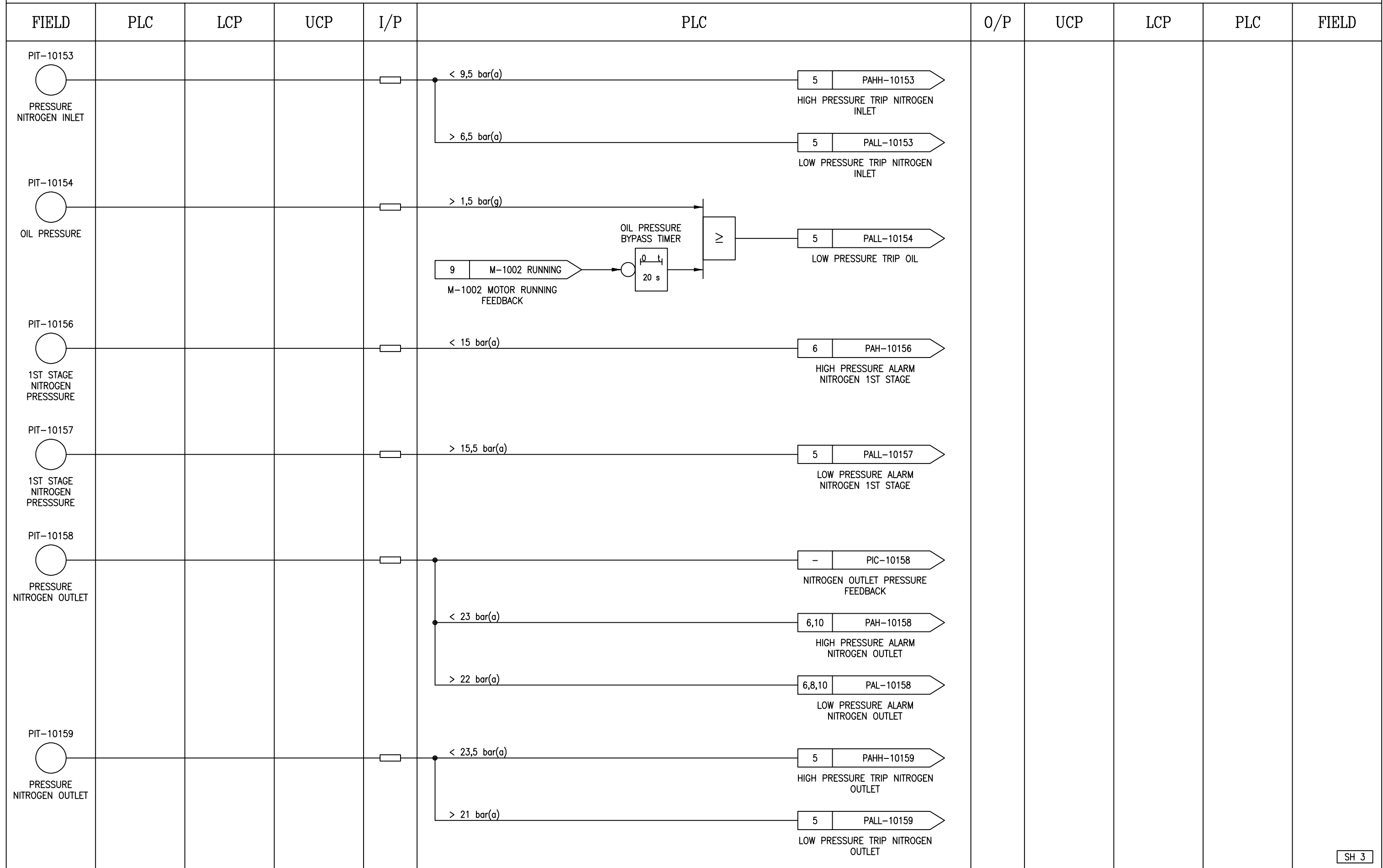
SUBJECT		BUSHEHR PETROCHEMICAL COMPANY MEG PLANT NITROGEN COMPRESSOR	
CLIENT	BUSHEHR PETROCHEMICAL COMPANY (BUPC)	PLANT LOCATION	IRAN
CLIENT REF	20-C-1002	DRAWING NO.	17811-32A
AIRPACK REF	17811	SHEETNO.	02 /13

DATE	20-11-2020
DRAWN BY	TJ
CHECKED BY	KP

THIS DRAWING IS OWNED BY AIRPACK AND SHALL NOT BE PRINTED OR COPIED IN ANY OTHER WAY THAN WITH AIRPACKS PERMISSION


REV 02	03-01-2022	AS
REV 01	29-11-2021	WZ
REV 00	20-11-2020	TJ

LOGIC DIAGRAM



SH 3

NOTES:

	SUBJECT BUSHEHR PETROCHEMICAL COMPANY MEG PLANT NITROGEN COMPRESSOR		DATE 20-11-2020	THIS DRAWING IS OWNED BY AIRPACK AND SHALL NOT BE PRINTED OR COPIED IN ANY OTHER WAY THAN WITH AIRPACKS PERMISSION
	CLIENT BUSHEHR PETROCHEMICAL COMPANY (BUPC)	PLANT LOCATION IRAN	DRAWN BY TJ	
CLIENT REF 20-C-1002	DRAWING NO. 17811-32A	CHECKED BY KP	REV 02 03-01-2022 AS	
AIRPACK REF 17811	SHEETNO. 03 /13		REV 01 29-11-2021 WZ	
			REV 00 20-11-2020 TJ	

LOGIC DIAGRAM

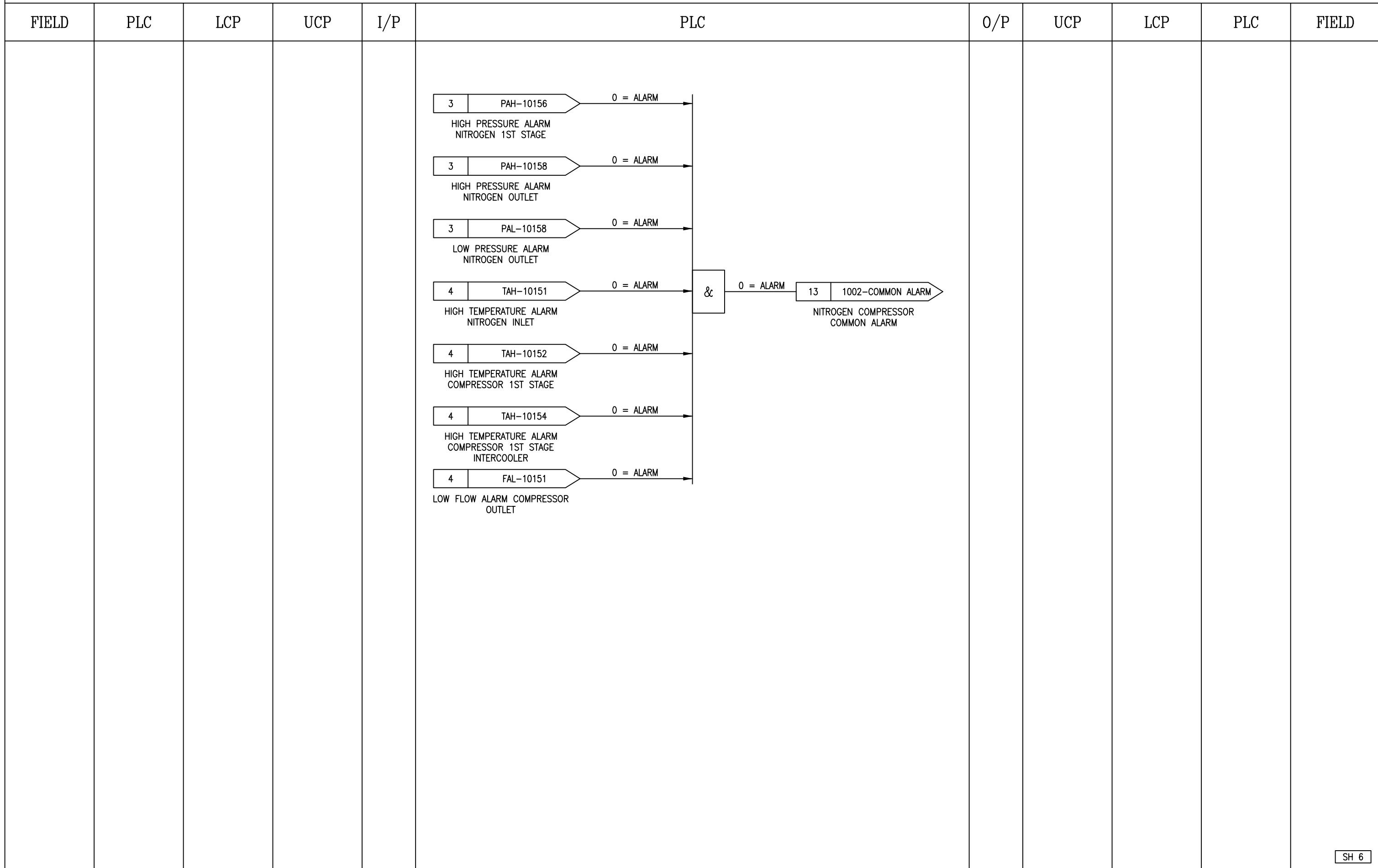


SH 4

NOTES:

	SUBJECT BUSHEHR PETROCHEMICAL COMPANY MEG PLANT NITROGEN COMPRESSOR		DATE 20-11-2020	THIS DRAWING IS OWNED BY AIRPACK AND SHALL NOT BE PRINTED OR COPIED IN ANY OTHER WAY THAN WITH AIRPACKS PERMISSION
	CLIENT BUSHEHR PETROCHEMICAL COMPANY (BUPC)	PLANT LOCATION IRAN	REV 02 03-01-2022 AS	
	CLIENT REF 20-C-1002	DRAWING NO. 17811-32A	REV 01 29-11-2021 WZ	
	AIRPACK REF 17811	SHEETNO. 04 /13	REV 00 20-11-2020 TJ	

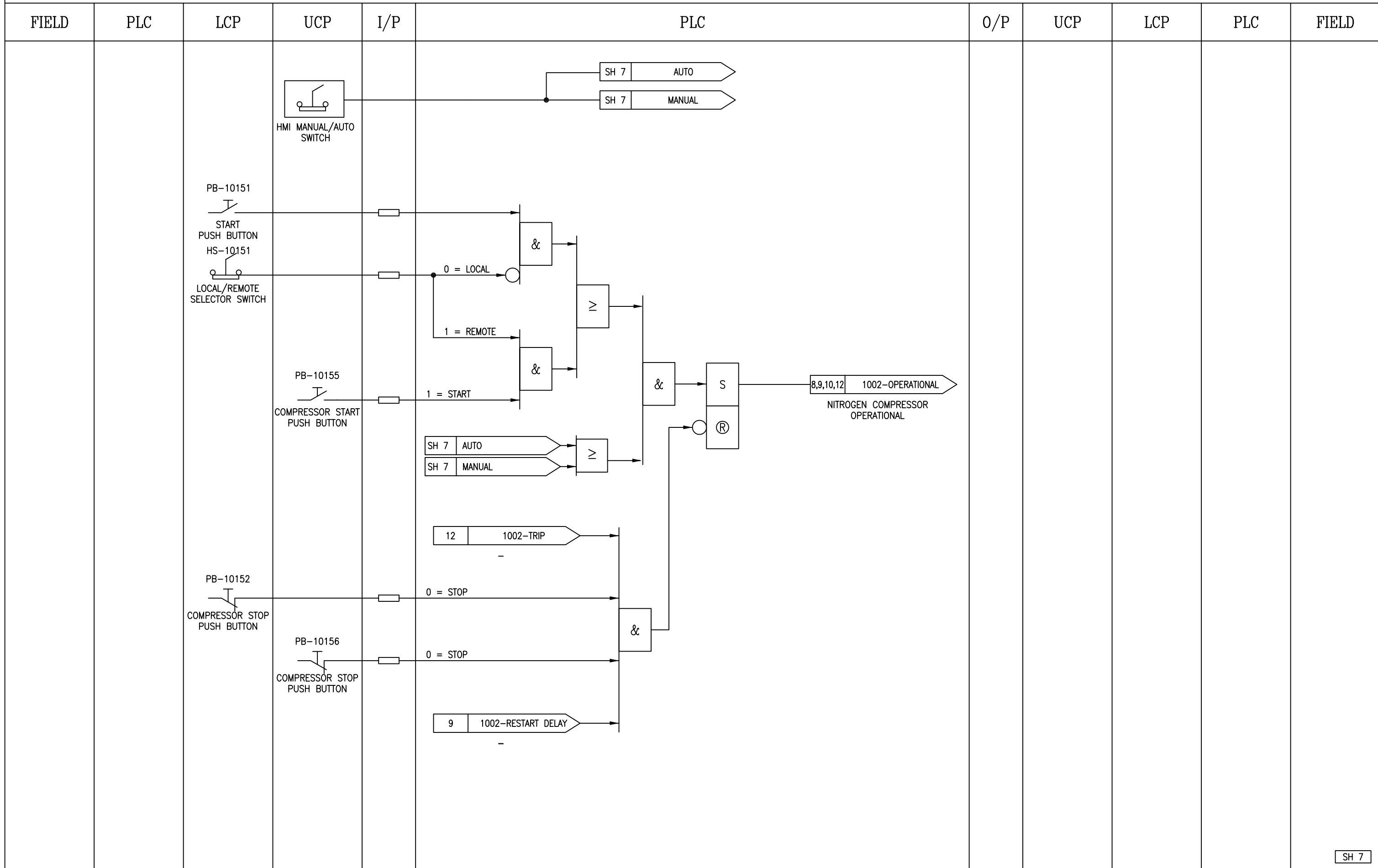
LOGIC DIAGRAM



NOTES:

	SUBJECT BUSHEHR PETROCHEMICAL COMPANY MEG PLANT NITROGEN COMPRESSOR		DATE	20-11-2020	THIS DRAWING IS OWNED BY AIRPACK AND SHALL NOT BE PRINTED OR COPIED IN ANY OTHER WAY THAN WITH AIRPACKS PERMISSION		
			DRAWN BY	TJ			
	CLIENT	BUSHEHR PETROCHEMICAL COMPANY (BUPC)	PLANT LOCATION	IRAN	REV 02	03-01-2022	AS
	CLIENT REF	20-C-1002	DRAWING NO.	17811-32A	REV 01	29-11-2021	WZ
	AIRPACK REF	17811	SHEETNO.	06 /13	REV 00	20-11-2020	TJ

LOGIC DIAGRAM

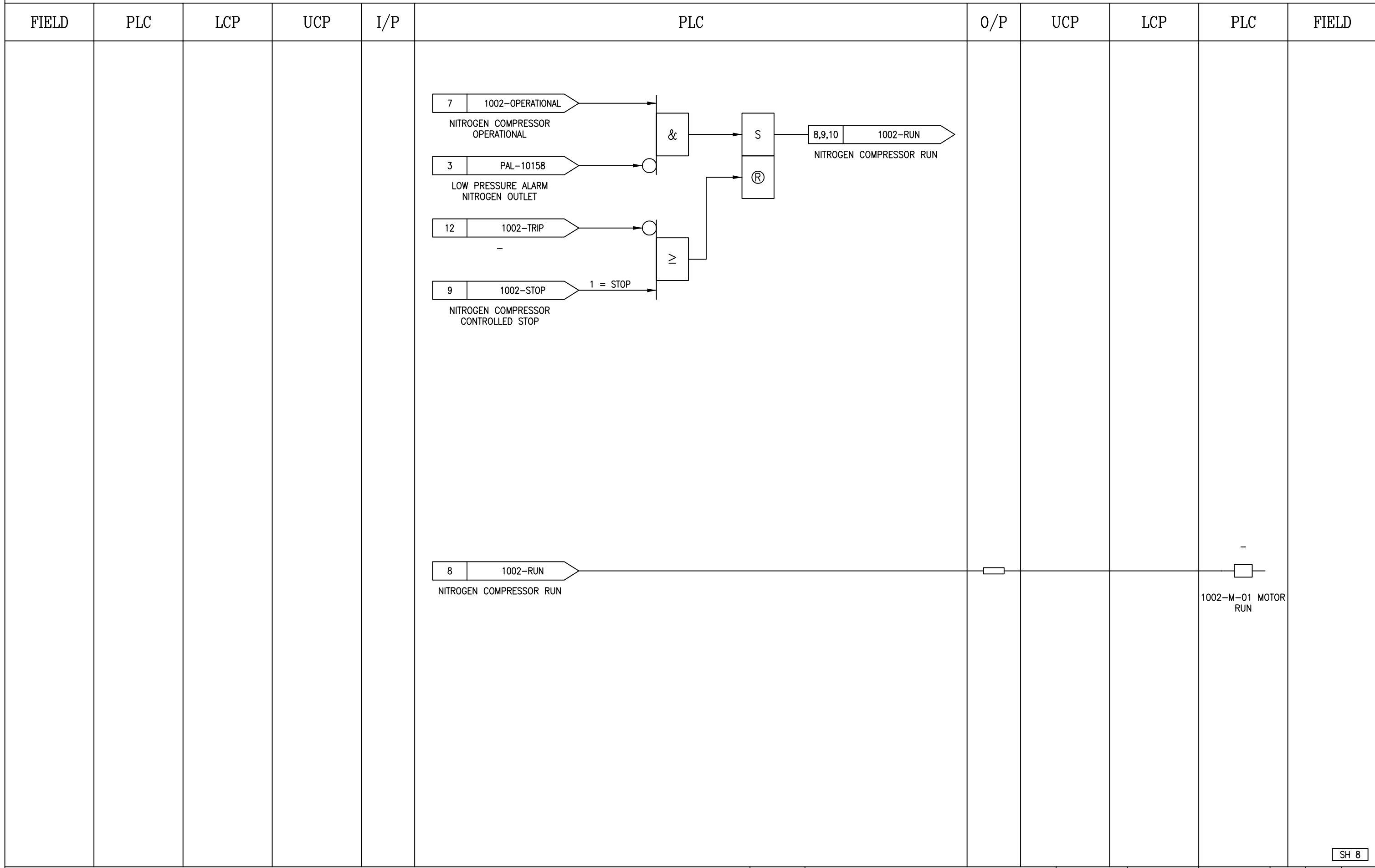


SH 7

NOTES:

	SUBJECT BUSHEHR PETROCHEMICAL COMPANY MEG PLANT NITROGEN COMPRESSOR		DATE 20-11-2020	THIS DRAWING IS OWNED BY AIRPACK AND SHALL NOT BE PRINTED OR COPIED IN ANY OTHER WAY THAN WITH AIRPACKS PERMISSION			
	CLIENT BUSHEHR PETROCHEMICAL COMPANY (BUPC)	CLIENT REF 20-C-1002	CHECKED BY KP		PLANT LOCATION IRAN	REV 02 03-01-2022 AS	
	AIRPACK REF 17811		DRAWING NO. 17811-32A	SHEETNO. 07 /13	REV 01 29-11-2021 WZ		
					REV 00 20-11-2020 TJ		

LOGIC DIAGRAM

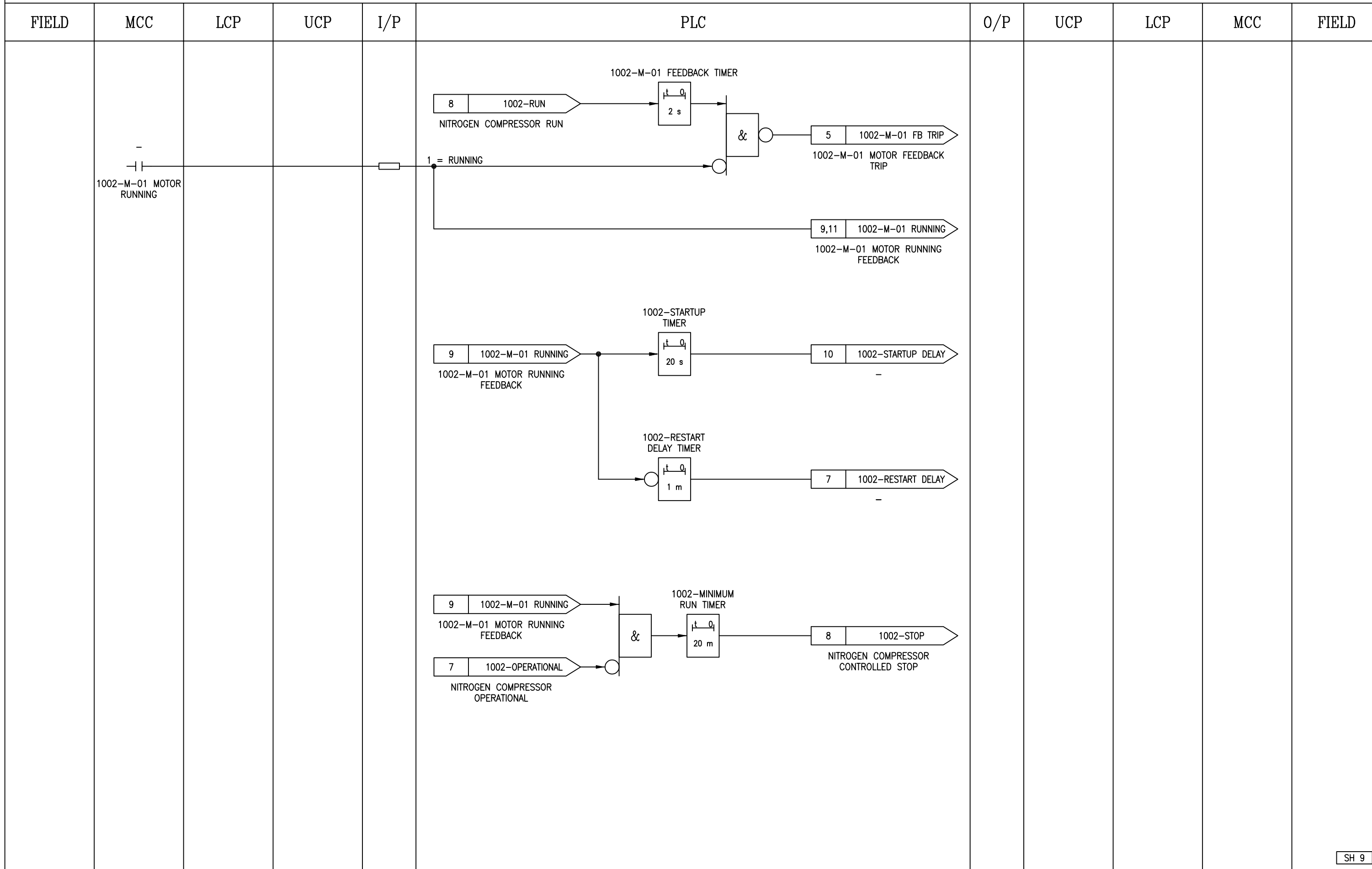


SH 8

NOTES:

	SUBJECT BUSHEHR PETROCHEMICAL COMPANY MEG PLANT NITROGEN COMPRESSOR		DATE	20-11-2020	THIS DRAWING IS OWNED BY AIRPACK AND SHALL NOT BE PRINTED OR COPIED IN ANY OTHER WAY THAN WITH AIRPACKS PERMISSION
	CLIENT	BUSHEHR PETROCHEMICAL COMPANY (BUPC)	DRAWN BY	TJ	
CLIENT REF	20-C-1002	CHECKED BY	KP	PLANT LOCATION	IRAN
AIRPACK REF	17811	DRAWING NO.	17811-32A	SHEETNO.	08 /13
		REV 02	03-01-2022	AS	
		REV 01	29-11-2021	WZ	
		REV 00	20-11-2020	TJ	

LOGIC DIAGRAM

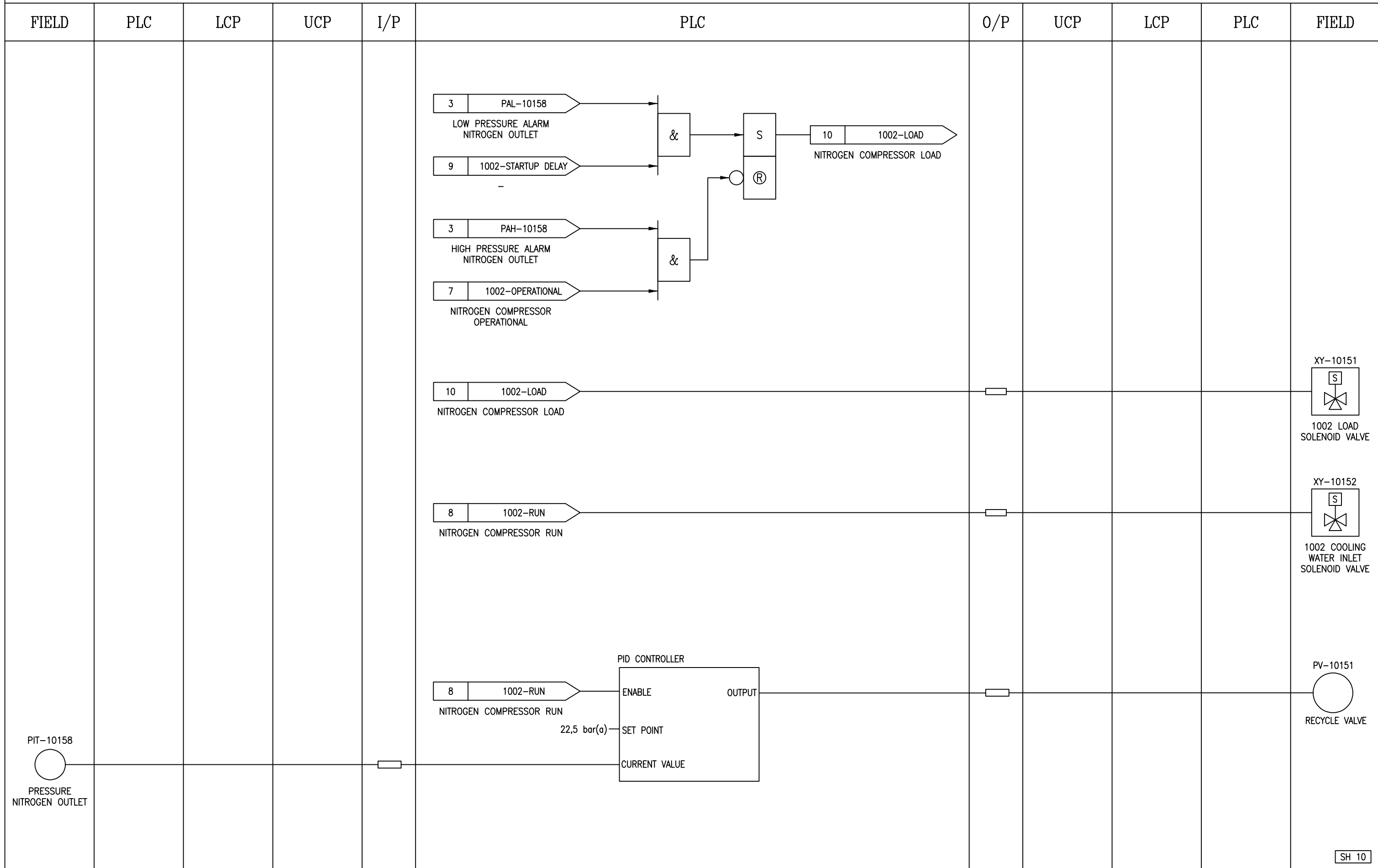


SH 9

NOTES:

	SUBJECT	BUSHEHR PETROCHEMICAL COMPANY MEG PLANT NITROGEN COMPRESSOR	DATE	20-11-2020	THIS DRAWING IS OWNED BY AIRPACK AND SHALL NOT BE PRINTED OR COPIED IN ANY OTHER WAY THAN WITH AIRPACKS PERMISSION		
	CLIENT	BUSHEHR PETROCHEMICAL COMPANY (BUPC)	PLANT LOCATION	IRAN			
	CLIENT REF	20-C-1002	DRAWING NO.	17811-32A	REV 02	03-01-2022	AS
	AIRPACK REF	17811	SHEETNO.	09 /13	REV 01	29-11-2021	WZ
					REV 00	20-11-2020	TJ

LOGIC DIAGRAM

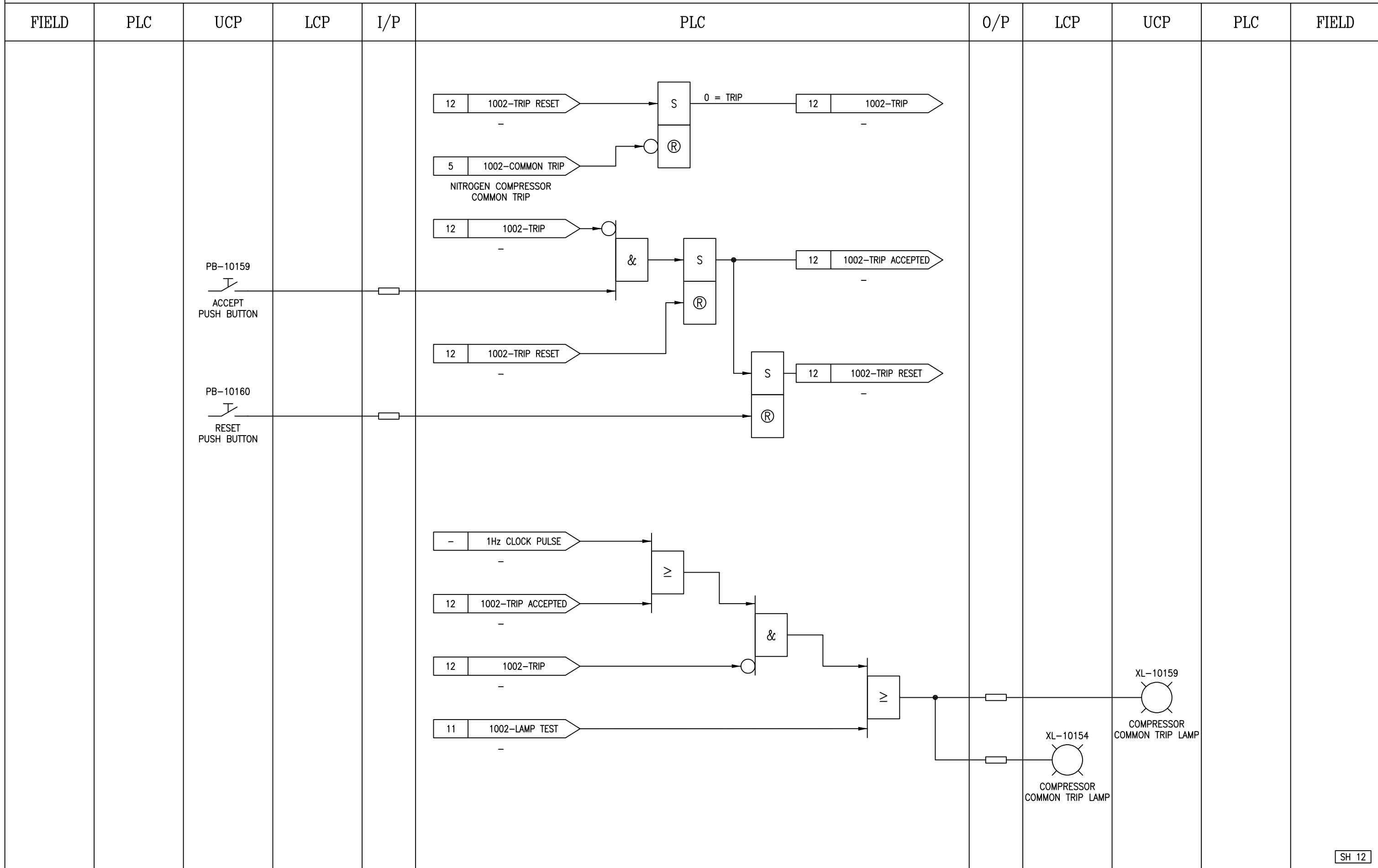


SH 10

NOTES:

	SUBJECT BUSHEHR PETROCHEMICAL COMPANY MEG PLANT NITROGEN COMPRESSOR	DATE 20-11-2020	THIS DRAWING IS OWNED BY AIRPACK AND SHALL NOT BE PRINTED OR COPIED IN ANY OTHER WAY THAN WITH AIRPACKS PERMISSION		
	CLIENT BUSHEHR PETROCHEMICAL COMPANY (BUPC)	DRAWN BY TJ		PLANT LOCATION IRAN	REV 02 03-01-2022 AS
	CLIENT REF 20-C-1002	CHECKED BY KP	DRAWING NO. 17811-32A	REV 01 29-11-2021 WZ	
	AIRPACK REF 17811		SHEETNO. 10 /13	REV 00 20-11-2020 TJ	

LOGIC DIAGRAM



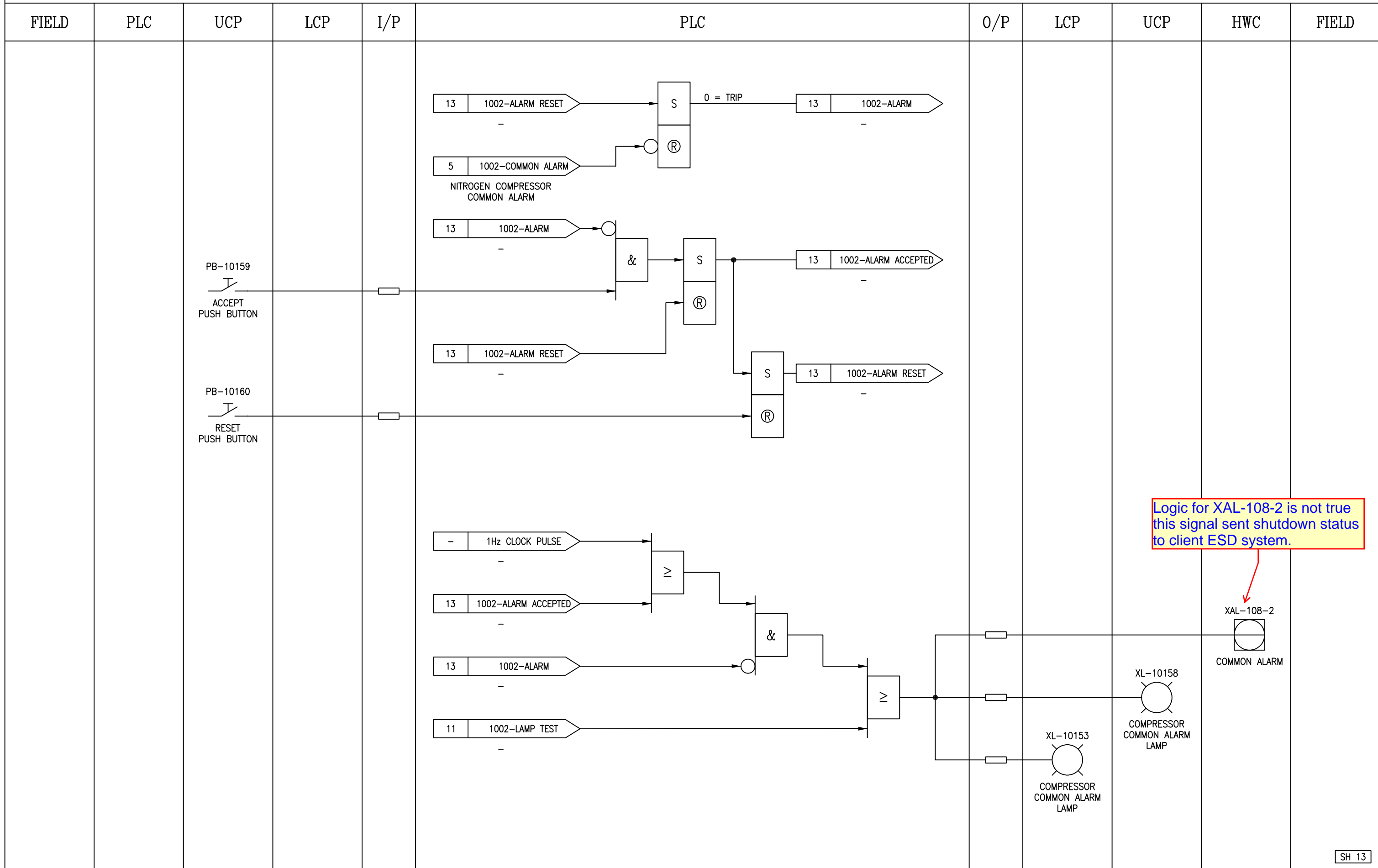
SH 12

NOTES:

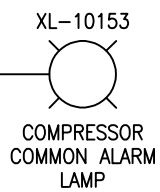
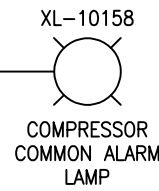
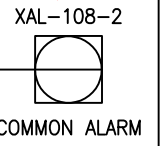
	SUBJECT	DATE	20-11-2020
	BUSHEHR PETROCHEMICAL COMPANY MEG PLANT NITROGEN COMPRESSOR	DRAWN BY	TJ
CLIENT	BUSHEHR PETROCHEMICAL COMPANY (BUPC)	CHECKED BY	KP
CLIENT REF	20-C-1002	PLANT LOCATION	IRAN
AIRPACK REF	17811	DRAWING NO.	17811-32A
		SHEETNO.	12 /13

THIS DRAWING IS OWNED BY AIRPACK AND SHALL NOT BE PRINTED OR COPIED IN ANY OTHER WAY THAN WITH AIRPACKS PERMISSION		
REV 02	03-01-2022	AS
REV 01	29-11-2021	WZ
REV 00	20-11-2020	TJ

LOGIC DIAGRAM



Logic for XAL-108-2 is not true this signal sent shutdown status to client ESD system.



SH 13

NOTES:



SUBJECT BUSHEHR PETROCHEMICAL COMPANY MEG PLANT NITROGEN COMPRESSOR		DATE	20-11-2020	THIS DRAWING IS OWNED BY AIRPACK AND SHALL NOT BE PRINTED OR COPIED IN ANY OTHER WAY THAN WITH AIRPACKS PERMISSION			
		DRAWN BY	TJ		REV 02	03-01-2022	AS
CLIENT	BUSHEHR PETROCHEMICAL COMPANY (BUPC)	CHECKED BY	KP	REV 01	29-11-2021	WZ	
CLIENT REF	20-C-1002	PLANT LOCATION	IRAN	REV 00	20-11-2020	TJ	
AIRPACK REF	17811	DRAWING NO.	17811-32A				
		SHEETNO.	13 /13				