







OWNER:  شرکت سست و سویی توپو ایرانیان (سهایی تپاس)	BUSHEHR PETROCHEMICAL COMPANY MEG PLANT						EPC CONTRACTOR:  Chagalesh-Enerechimi-Steam Joint Venture BUPC-MEG PLANT PROJECT		
	LOGIC DIAGRAMS-PROGRAM OF UCP - COMPRESSOR SHUTDOWN LOGIC DRAWING FOR EMERGENCY INSTRUMENT AIR COMPRESSOR								
MC :  شرکت سست و سویی توپو ایرانیان (سهایی تپاس)	Project	Area	Phase	Unit	Dis.	Doc.	Seq.	Contract No : 52-98/445	
Owner Document Number: 17811-32B	BU	20	VD	303	IN	DIG	0085	Rev.:	Page
								01	1 of 14

**Repeated Comment**

- Following items are missed, please consider in logic :
  - HS-715-SD-1 Emergency Shutdown Command from ESD System
  - XAL-715-2 Shutdown status to ESD System
  - Heater

- Any changes shall be specified with revision mark and revision cloud.
- SH 11 is missed.

# LOGIC DIAGRAMS-PROGRAM OF UCP - COMPRESSOR SHUTDOWN LOGIC DRAWING FOR EMERGENCY INSTRUMENT AIR COMPRESSOR

 شرکت سست و سویی توپو ایرانیان (سهایی تپاس)	 Chagalesh-Enerechimi-Steam Joint Venture BUPC-MEG PLANT PROJECT	BUSHEHR PETROCHEMICAL COMPANY MEG PLANT
<b>Document Review</b>		
Issue Purpose:	AFC	
Result Code: AP,AN,CM,RE,NC	AN	
Next Status : IFC,IFA,IFI,AFC,AB	AFC	
Responsible Department	MECHANICAL	
Commented Date	Jan/20/2022	
<b>Approval or review hereunder shall not be construed to relieve Vendor / Subcontractor of his responsibilities and liability under the contract.</b>		

Rev. 01 is correct						
01	06/01/2022	Approved for Construction	AS	KP	JR	
<del>01</del>	<del>30/11/2021</del>	<del>For approval</del>	<del>WZ</del>	<del>KP</del>	<del>JR</del>	
00	24/11/2020	For approval	TJ	RB	JR	
Rev.	Date	Purpose of Issue	Prepared	Checked	Approved	AC Code
					Class: 1	Phase: P



SYMBOL	FUNCTION	DESCRIPTION
	AND	OUTPUT D EXISTS ONLY IF AND WHILE INPUTS A,B AND C EXIST.
	OR	OUTPUT D EXISTS ONLY IF AND WHILE ONE OR MORE OF INPUTS A,B OR C EXIST.
	XOR	OUTPUT D EXISTS ONLY IF AND WHILE ONE OF INPUTS A,B OR C EXIST.
	NOT	OUTPUT B EXISTS ONLY IF AND WHILE INPUT A DOES NOT EXIST.
	TIMER (DELAY INITIATION)	THE CONTINUOUS EXISTENCE OF INPUT A FOR TIME T CAUSES OUTPUT B TO EXIST WHEN THE TIME T EXPIRES. B TERMINATES IMMEDIATELY WHEN A TERMINATES.
	TIMER (DELAY TERMINATION)	THE EXISTENCE OF INPUT A CAUSES OUTPUT B TO EXIST IMMEDIATELY. B TERMINATES WHEN A HAS TERMINATED AND HAS NOT AGAIN EXISTED FOR TIME T.
	PULSE OUTPUT	THE EXISTENCE OF INPUT A CAUSES OUTPUT B TO EXIST IMMEDIATELY. B EXISTS FOR TIME T, REGARDLESS OF THE STATE OF A.
	FLIP-FLOP MEMORY (SET PRIORITY)	OUTPUT C EXISTS AS SOON AS A EXISTS. C CONTINUES TO EXIST, REGARDLESS OF THE SUBSEQUENT STATE OF A, UNTIL THE MEMORY IS RESET (I.E; TERMINATED BY B EXISTING) C REMAINS TERMINATED, REGARDLESS OF THE SUBSEQUENT STATE OF B, UNTIL A CAUSES THE MEMORY TO BE SET. IF A AND B EXIST SIMULTANEOUSLY, A OVERRIDES B.
	FLIP-FLOP MEMORY (RESET PRIORITY)	OUTPUT C EXISTS AS SOON AS A EXISTS. C CONTINUES TO EXIST, REGARDLESS OF THE SUBSEQUENT STATE OF A, UNTIL THE MEMORY IS RESET (I.E; TERMINATED BY B EXISTING) C REMAINS TERMINATED, REGARDLESS OF THE SUBSEQUENT STATE OF B, UNTIL A CAUSES THE MEMORY TO BE SET. IF A AND B EXIST SIMULTANEOUSLY, B OVERRIDES A.
		LOGIC CONNECTION
		NO CONNECTION
		SERIAL LINK / FOUNDATION FIELDBUS PROTOCOL

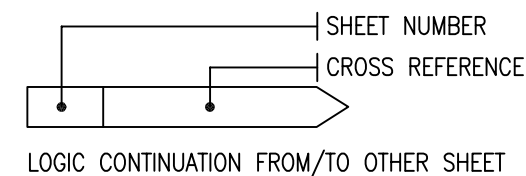
SYMBOL	DESCRIPTION
	EMERGENCY PUSHBUTTON, RED HEAD, STAY PUT.
	TOGGLE SWITCH
	PUSHBUTTON MOMENTARILY MAKE
	PUSHBUTTON MOMENTARILY BREAK
	CONTACT NORMALLY OPEN
	CONTACT NORMALLY CLOSED
	HARDWIRED INPUT/OUTPUT
	SOLENOID VALVE, 3-WAY
	DISTRIBUTED CONTROL SYSTEM
	PLC CONTROL SYSTEM
	DCS AUXILIARY CONSOLE
	LAMP
	HMI
	AUDIBLE ALARM
	RELAY COIL

### ABBREVIATIONS

DCS : DISTRIBUTED CONTROL SYSTEM  
 UCP : UNIT CONTROL PANEL  
 LCP : LOCAL CONTROL PANEL  
 PLC : PROGRAMMABLE LOGIC CONTROLLER  
 I/P : INPUT  
 O/P : OUTPUT  
 ESD : EMERGENCY SHUTDOWN  
 MCC : MOTOR CONTROL CENTRE

### GENERAL NOTES

- SHUTDOWN CONDITION ;  
0 = SHUTDOWN 1 = OPERATING
- ALARM/TRIP CONDITION ;  
0 = ALARM 1=NORMAL  
0 = TRIP 1=NORMAL
- REMOTE/LOCAL CONDITION ;  
0 = LOCAL 1=REMOTE

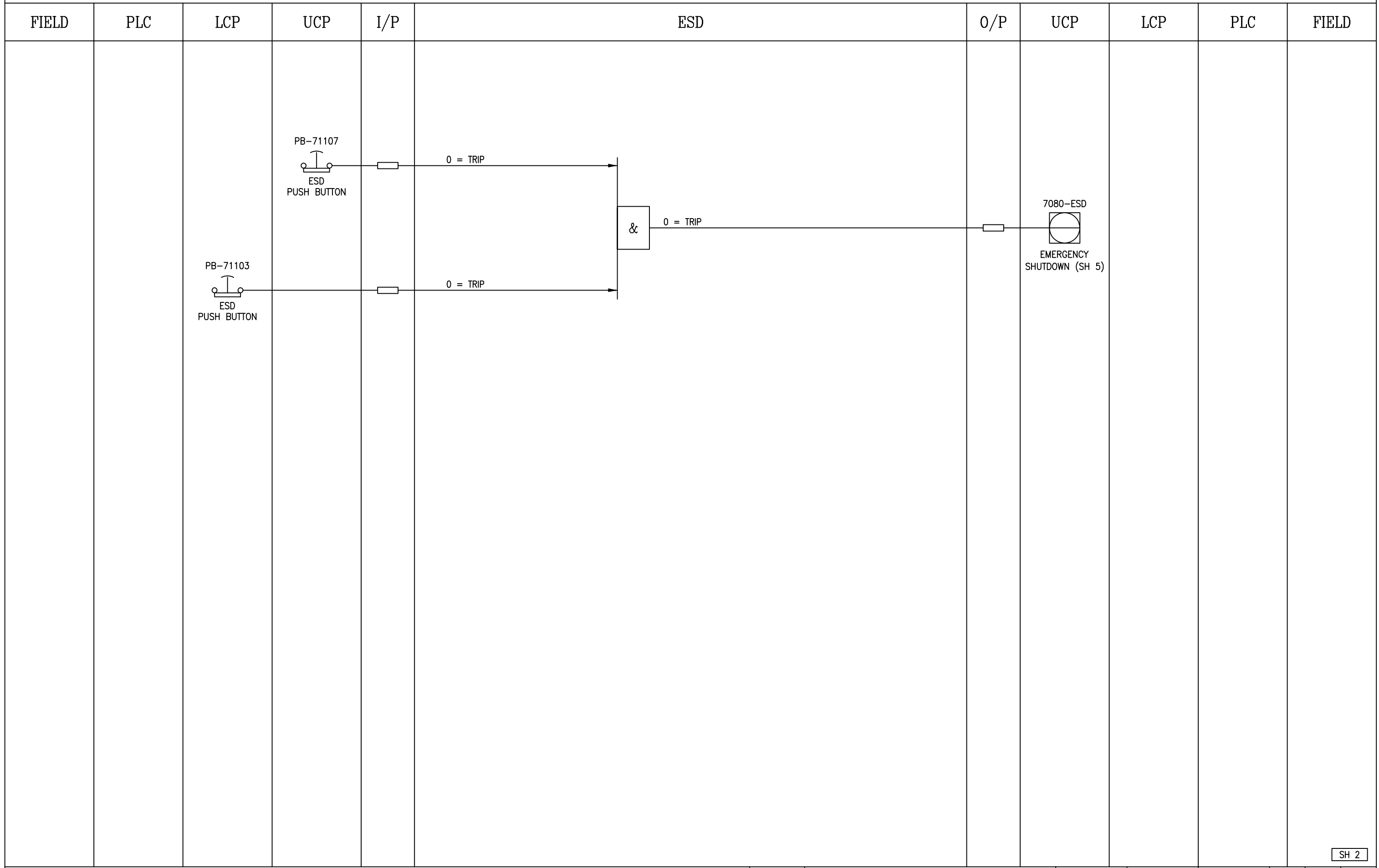


SH 1



SUBJECT BUSHEHR PETROCHEMICAL COMPANY MEG PLANT EMERGENCY INSTRUMENT AIR COMPRESSOR		DATE 20-11-2020	THIS DRAWING IS OWNED BY AIRPACK AND SHALL NOT BE PRINTED OR COPIED IN ANY OTHER WAY THAN WITH AIRPACKS PERMISSION			
		DRAWN BY TJ				
		CHECKED BY KP				
CLIENT BUSHEHR PETROCHEMICAL COMPANY (BUPC)	PLANT LOCATION IRAN			REV02	03-01-2022	AS
CLIENT REF 20-C-7080	DRAWING NO. 17811-32B			REV 01	29-11-2021	WZ
AIRPACK REF 17811	SHEETNO. 01 /13			REV 00	20-11-2020	TJ

LOGIC DIAGRAM

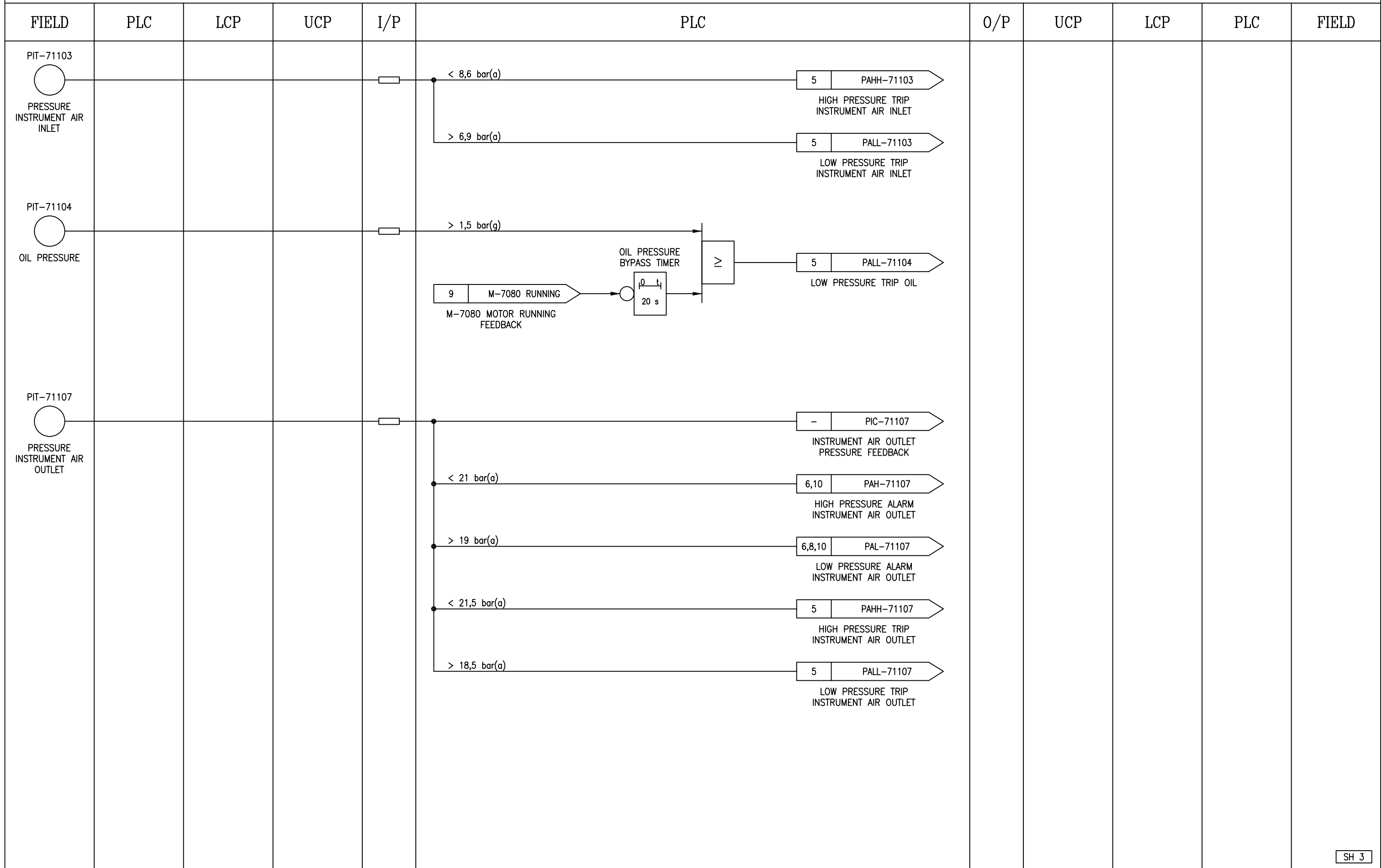


SH 2

NOTES:


	SUBJECT BUSHEHR PETROCHEMICAL COMPANY MEG PLANT EMERGENCY INSTRUMENT AIR COMPRESSOR		DATE	20-11-2020	THIS DRAWING IS OWNED BY AIRPACK AND SHALL NOT BE PRINTED OR COPIED IN ANY OTHER WAY THAN WITH AIRPACKS PERMISSION	
			DRAWN BY	TJ		
			CHECKED BY	KP		
	CLIENT	BUSHEHR PETROCHEMICAL COMPANY (BUPC)	PLANT LOCATION	IRAN		
CLIENT REF	20-C-7080	DRAWING NO.	17811-32B	REV02	03-01-2022	AS
AIRPACK REF	17811	SHEETNO.	02 /13	REV 01	29-11-2021	WZ
				REV 00	20-11-2020	TJ

LOGIC DIAGRAM

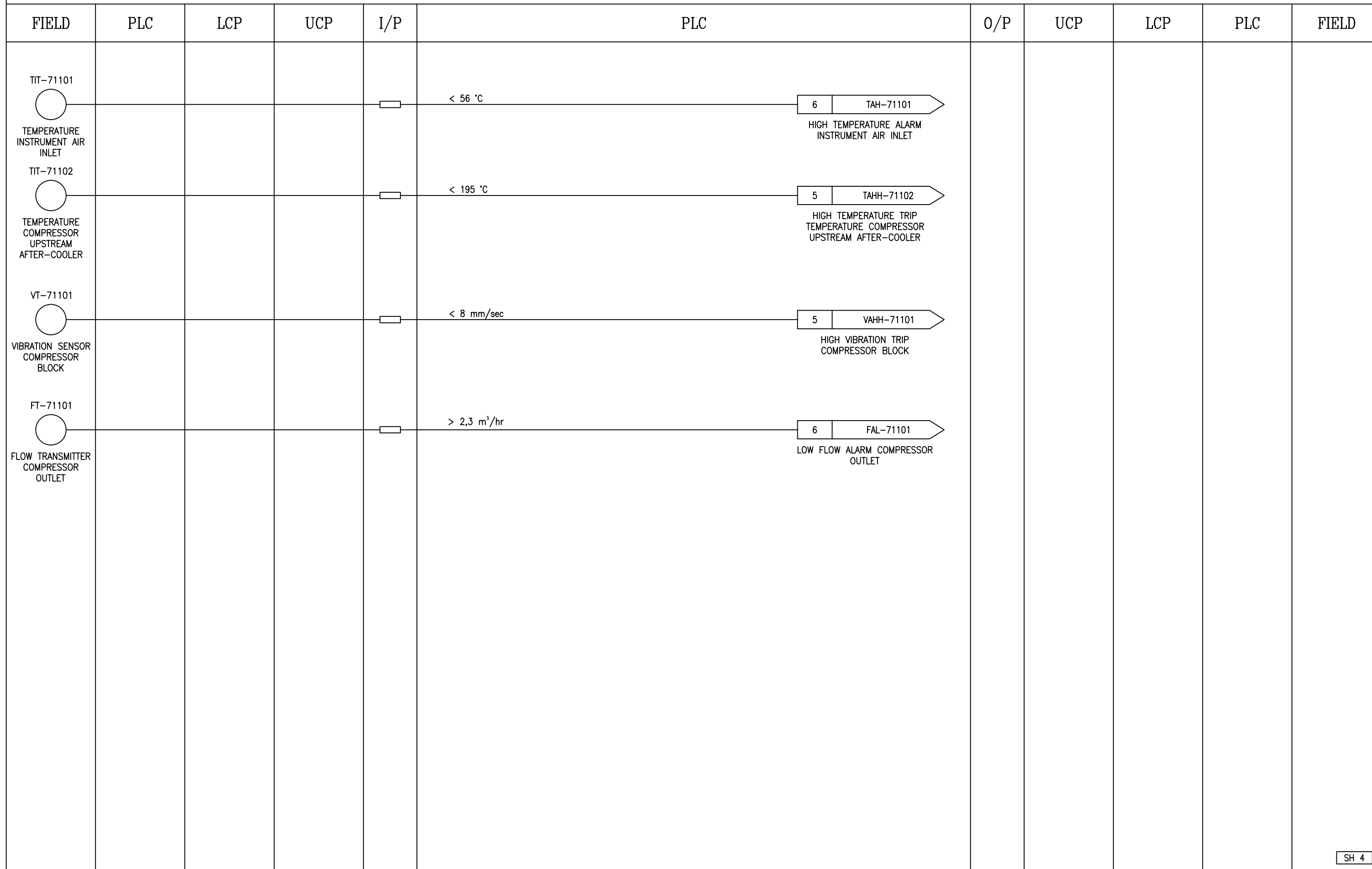


SH 3

NOTES:

	SUBJECT BUSHEHR PETROCHEMICAL COMPANY MEG PLANT EMERGENCY INSTRUMENT AIR COMPRESSOR		DATE 20-11-2020	THIS DRAWING IS OWNED BY AIRPACK AND SHALL NOT BE PRINTED OR COPIED IN ANY OTHER WAY THAN WITH AIRPACKS PERMISSION
	CLIENT BUSHEHR PETROCHEMICAL COMPANY (BUPC)	PLANT LOCATION IRAN	DRAWN BY TJ	
	CLIENT REF 20-C-7080	DRAWING NO. 17811-32B	CHECKED BY KP	
	AIRPACK REF 17811	SHEETNO. 03 /13		
				REV02 03-01-2022 AS REV01 29-11-2021 WZ REV00 20-11-2020 TJ

LOGIC DIAGRAM



SH 4

NOTES:



SUBJECT BUSHEHR PETROCHEMICAL COMPANY  
MEG PLANT  
EMERGENCY INSTRUMENT AIR COMPRESSOR

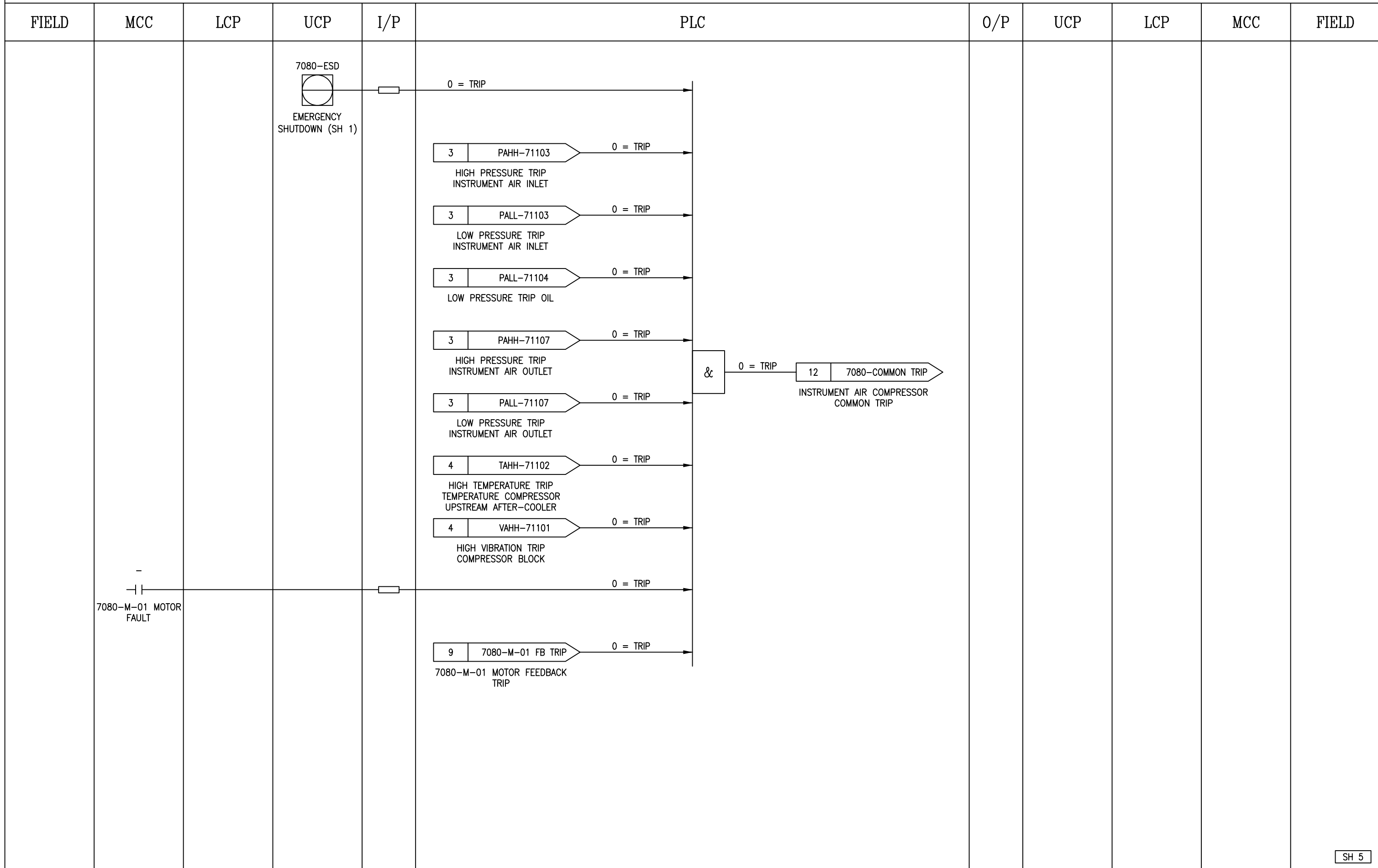
CLIENT	BUSHEHR PETROCHEMICAL COMPANY (BUPC)
CLIENT REF	20-C-7080
AIRPACK REF	17811

DATE	20-11-2020
DRAWN BY	TJ
CHECKED BY	KP
PLANT LOCATION	IRAN
DRAWING NO.	17811-32B
SHEETNO.	04 /13


THIS DRAWING IS OWNED BY AIRPACK AND SHALL NOT BE PRINTED OR COPIED IN ANY OTHER WAY THAN WITH AIRPACKS PERMISSION

REV02	03-01-2022	AS
REV 01	29-11-2021	WZ
REV 00	20-11-2020	TJ

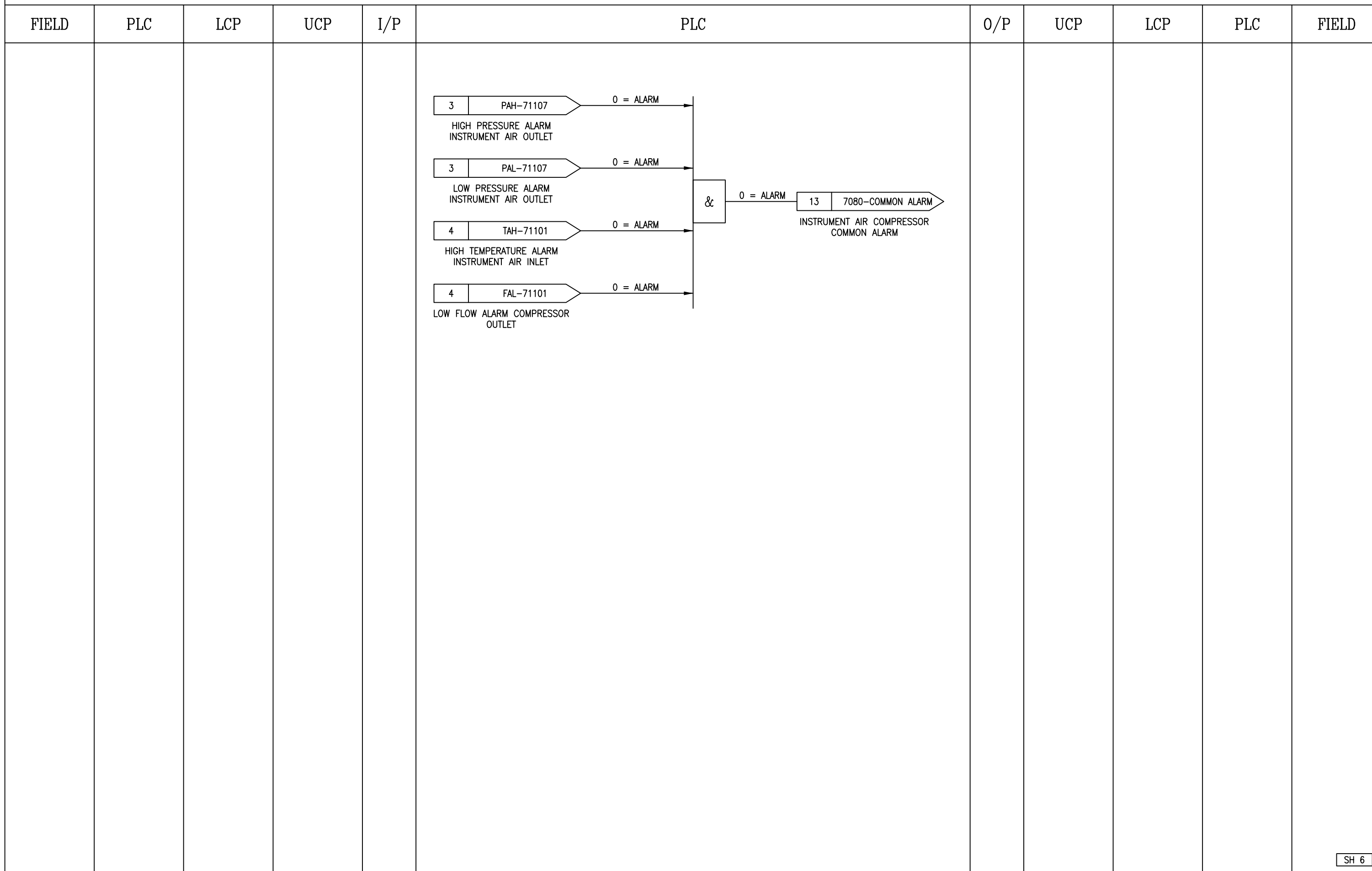
LOGIC DIAGRAM



NOTES:

	SUBJECT BUSHEHR PETROCHEMICAL COMPANY MEG PLANT EMERGENCY INSTRUMENT AIR COMPRESSOR		DATE 20-11-2020	THIS DRAWING IS OWNED BY AIRPACK AND SHALL NOT BE PRINTED OR COPIED IN ANY OTHER WAY THAN WITH AIRPACKS PERMISSION
	CLIENT BUSHEHR PETROCHEMICAL COMPANY (BUPC)	PLANT LOCATION IRAN	DRAWN BY TJ	
	CLIENT REF 20-C-7080	DRAWING NO. 17811-32B	CHECKED BY KP	
	AIRPACK REF 17811	SHEETNO. 05 /13		
				REV02 03-01-2022 AS REV01 29-11-2021 WZ REV00 20-11-2020 TJ

LOGIC DIAGRAM



&

0 = ALARM

13

7080-COMMON ALARM

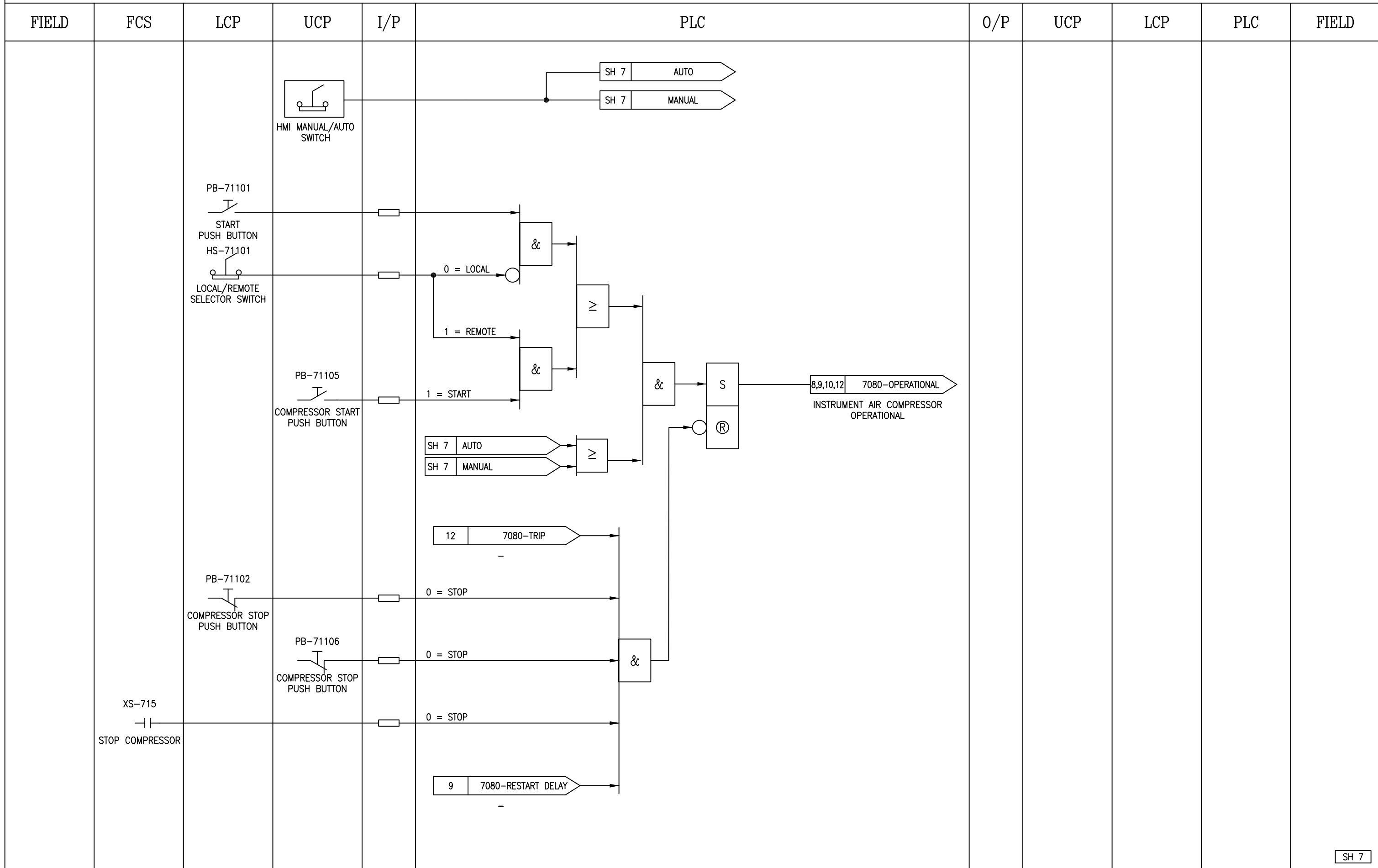
INSTRUMENT AIR COMPRESSOR  
COMMON ALARM

SH 6

NOTES:

	SUBJECT BUSHEHR PETROCHEMICAL COMPANY MEG PLANT EMERGENCY INSTRUMENT AIR COMPRESSOR		DATE	20-11-2020	THIS DRAWING IS OWNED BY AIRPACK AND SHALL NOT BE PRINTED OR COPIED IN ANY OTHER WAY THAN WITH AIRPACKS PERMISSION	
			DRAWN BY	TJ		
			CHECKED BY	KP		
	CLIENT	BUSHEHR PETROCHEMICAL COMPANY (BUPC)	PLANT LOCATION	IRAN		
CLIENT REF	20-C-7080	DRAWING NO.	17811-32B	REV02	03-01-2022	AS
AIRPACK REF	17811	SHEETNO.	06 /13	REV 01	29-11-2021	WZ
				REV 00	20-11-2020	TJ

LOGIC DIAGRAM

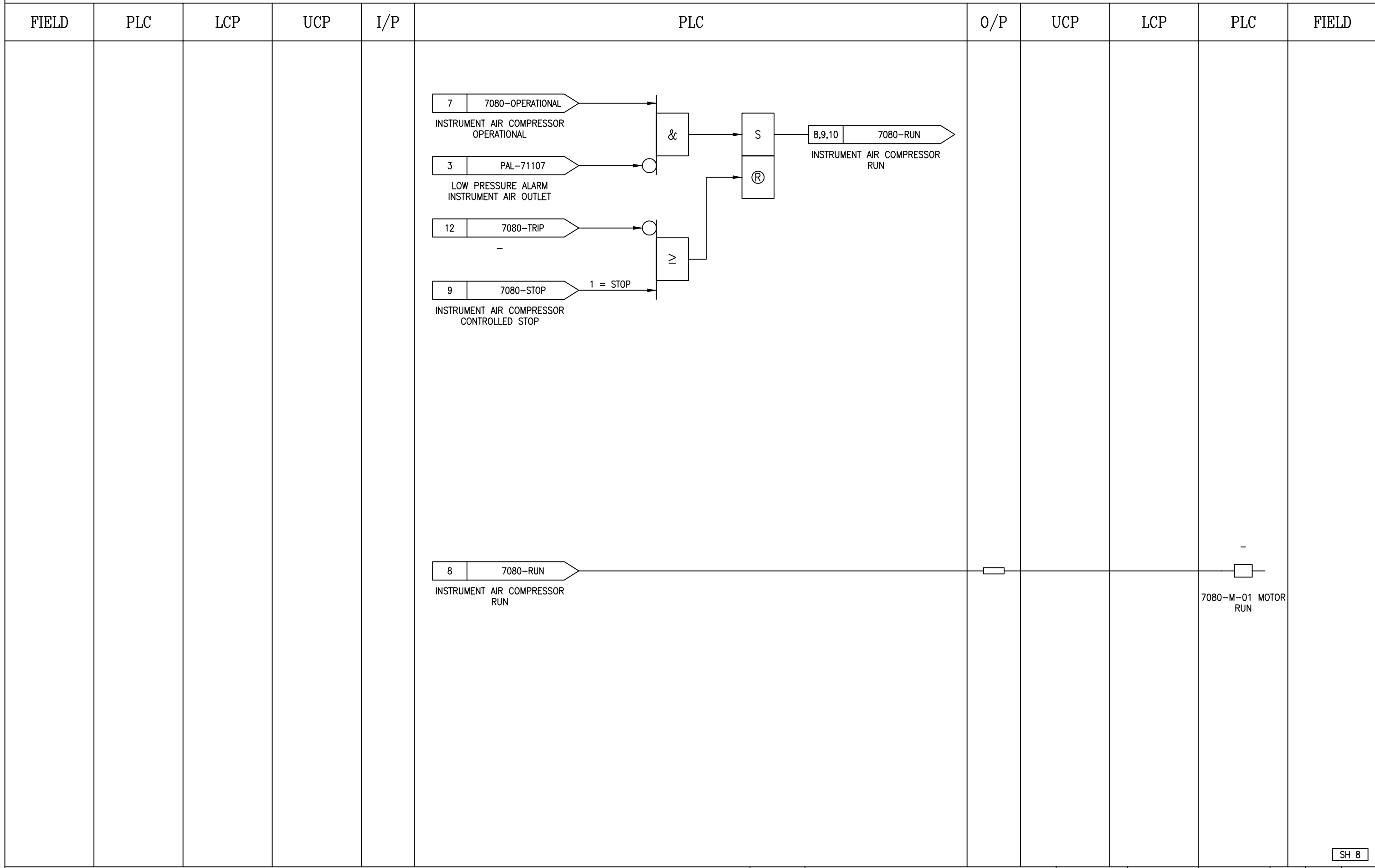


SH 7

NOTES:

	SUBJECT BUSHEHR PETROCHEMICAL COMPANY MEG PLANT EMERGENCY INSTRUMENT AIR COMPRESSOR		DATE 20-11-2020	THIS DRAWING IS OWNED BY AIRPACK AND SHALL NOT BE PRINTED OR COPIED IN ANY OTHER WAY THAN WITH AIRPACKS PERMISSION
	CLIENT BUSHEHR PETROCHEMICAL COMPANY (BUPC)	PLANT LOCATION IRAN	DRAWN BY TJ	
	CLIENT REF 20-C-7080	DRAWING NO. 17811-32B	CHECKED BY KP	REV02 03-01-2022 AS
	AIRPACK REF 17811	SHEETNO. 07 /13		REV01 29-11-2021 WZ
				REV00 20-11-2020 TJ

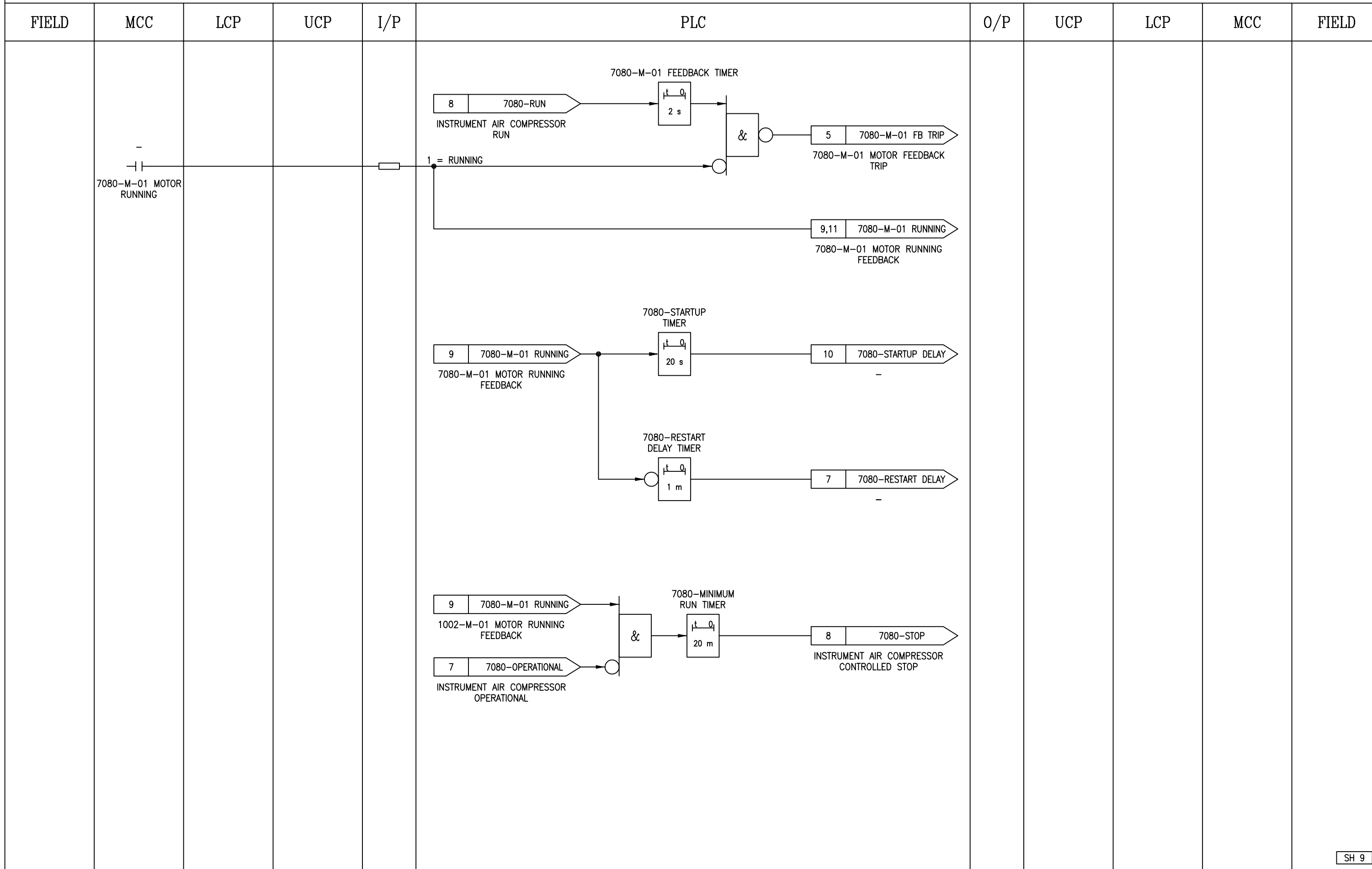
LOGIC DIAGRAM



NOTES:

	SUBJECT BUSHEHR PETROCHEMICAL COMPANY MEG PLANT EMERGENCY INSTRUMENT AIR COMPRESSOR		DATE 20-11-2020	THIS DRAWING IS OWNED BY AIRPACK AND SHALL NOT BE PRINTED OR COPIED IN ANY OTHER WAY THAN WITH AIRPACKS PERMISSION
			DRAWN BY TJ	
			CHECKED BY KP	
	CLIENT	BUSHEHR PETROCHEMICAL COMPANY (BUPC)	PLANT LOCATION	
CLIENT REF	20-C-7080	DRAWING NO.	17811-32B	REV02 03-01-2022 AS
AIRPACK REF	17811	SHEETNO.	08 /13	REV 01 29-11-2021 WZ
				REV 00 20-11-2020 TJ

LOGIC DIAGRAM



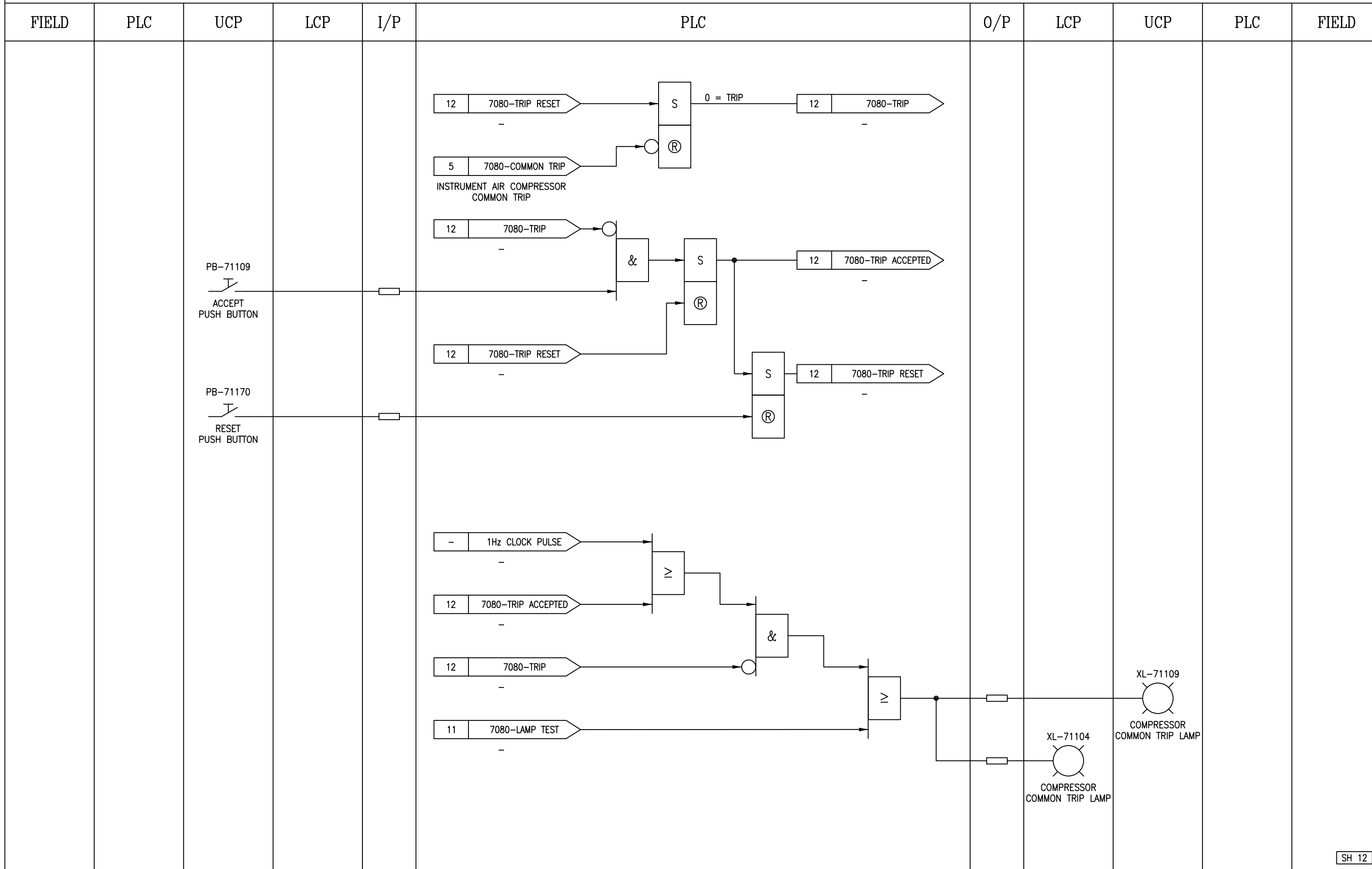
SH 9

NOTES:

	SUBJECT BUSHEHR PETROCHEMICAL COMPANY MEG PLANT EMERGENCY INSTRUMENT AIR COMPRESSOR		DATE 20-11-2020	THIS DRAWING IS OWNED BY AIRPACK AND SHALL NOT BE PRINTED OR COPIED IN ANY OTHER WAY THAN WITH AIRPACKS PERMISSION
	CLIENT BUSHEHR PETROCHEMICAL COMPANY (BUPC)	PLANT LOCATION IRAN	DRAWN BY TJ	
	CLIENT REF 20-C-7080	DRAWING NO. 17811-32B	CHECKED BY KP	
	AIRPACK REF 17811	SHEETNO. 09 /13		
				REV02 03-01-2022 AS REV01 29-11-2021 WZ REV00 20-11-2020 TJ



LOGIC DIAGRAM

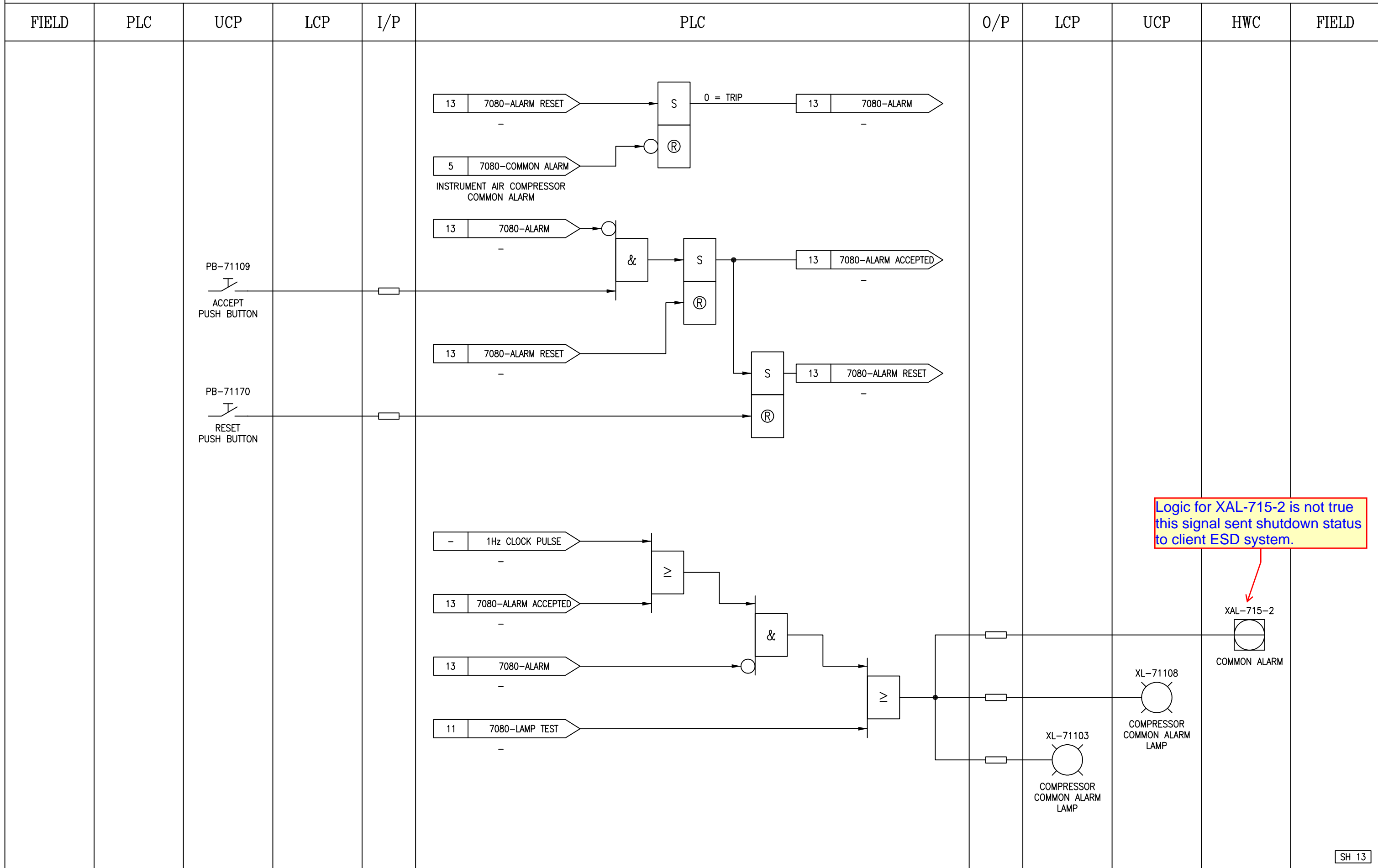


SH 12

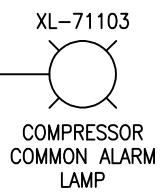
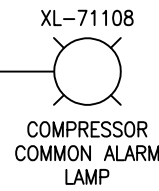
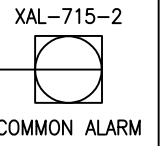
NOTES:

	SUBJECT BUSHEHR PETROCHEMICAL COMPANY MEG PLANT EMERGENCY INSTRUMENT AIR COMPRESSOR		DATE 20-11-2020	THIS DRAWING IS OWNED BY AIRPACK AND SHALL NOT BE PRINTED OR COPIED IN ANY OTHER WAY THAN WITH AIRPACKS PERMISSION
	CLIENT BUSHEHR PETROCHEMICAL COMPANY (BUPC)	PLANT LOCATION IRAN	DRAWN BY TJ	
CLIENT REF 20-C-7080	DRAWING NO. 17811-32B	CHECKED BY KP	REV02 03-01-2022 AS	
AIRPACK REF 17811	SHEETNO. 12 / 13		REV01 29-11-2021 WZ	
			REV00 20-11-2020 TJ	

LOGIC DIAGRAM



Logic for XAL-715-2 is not true this signal sent shutdown status to client ESD system.



NOTES:

	SUBJECT BUSHEHR PETROCHEMICAL COMPANY MEG PLANT EMERGENCY INSTRUMENT AIR COMPRESSOR		DATE 20-11-2020	THIS DRAWING IS OWNED BY AIRPACK AND SHALL NOT BE PRINTED OR COPIED IN ANY OTHER WAY THAN WITH AIRPACKS PERMISSION
	CLIENT BUSHEHR PETROCHEMICAL COMPANY (BUPC)	PLANT LOCATION IRAN	DRAWN BY TJ	
	CLIENT REF 20-C-7080	DRAWING NO. 17811-32B	CHECKED BY KP	REV02 03-01-2022 AS
	AIRPACK REF 17811	SHEETNO. 13 /13		REV 01 29-11-2021 WZ
				REV 00 20-11-2020 TJ