







OWNER:  شرکت سست و سویی گستر ایران (سهامی خاص)	BUSHEHR PETROCHEMICAL COMPANY MEG PLANT							EPC CONTRACTOR:  Chagalesh-Enerchimi-Steam Joint Venture BUPC-MEG PLANT PROJECT	
	<b>COMPRESSOR MOTOR OUTLINE          DRAWING &amp; TERMINAL BOX WIRING          DIAGRAM FOR EMERGENCY          INSTRUMENT AIR COMPRESSOR</b>							 Netherlands	
MC :  شرکت سست و سویی گستر ایران (سهامی خاص)	Project	Area	Phase	Unit	Dis.	Doc.	Seq.	Contract No: 52-98/445	
Owner Document Number: 17811-39B	BU	20	VD	303	EL	DWG	0101	Rev.:	Page
								03	1 of 5

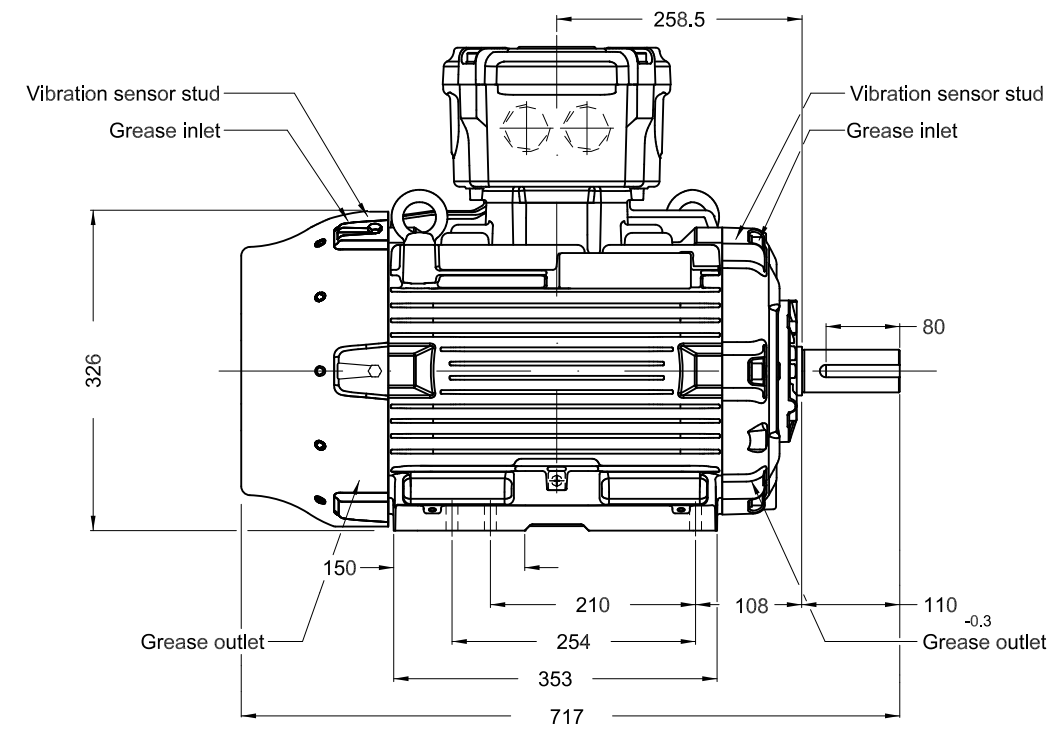
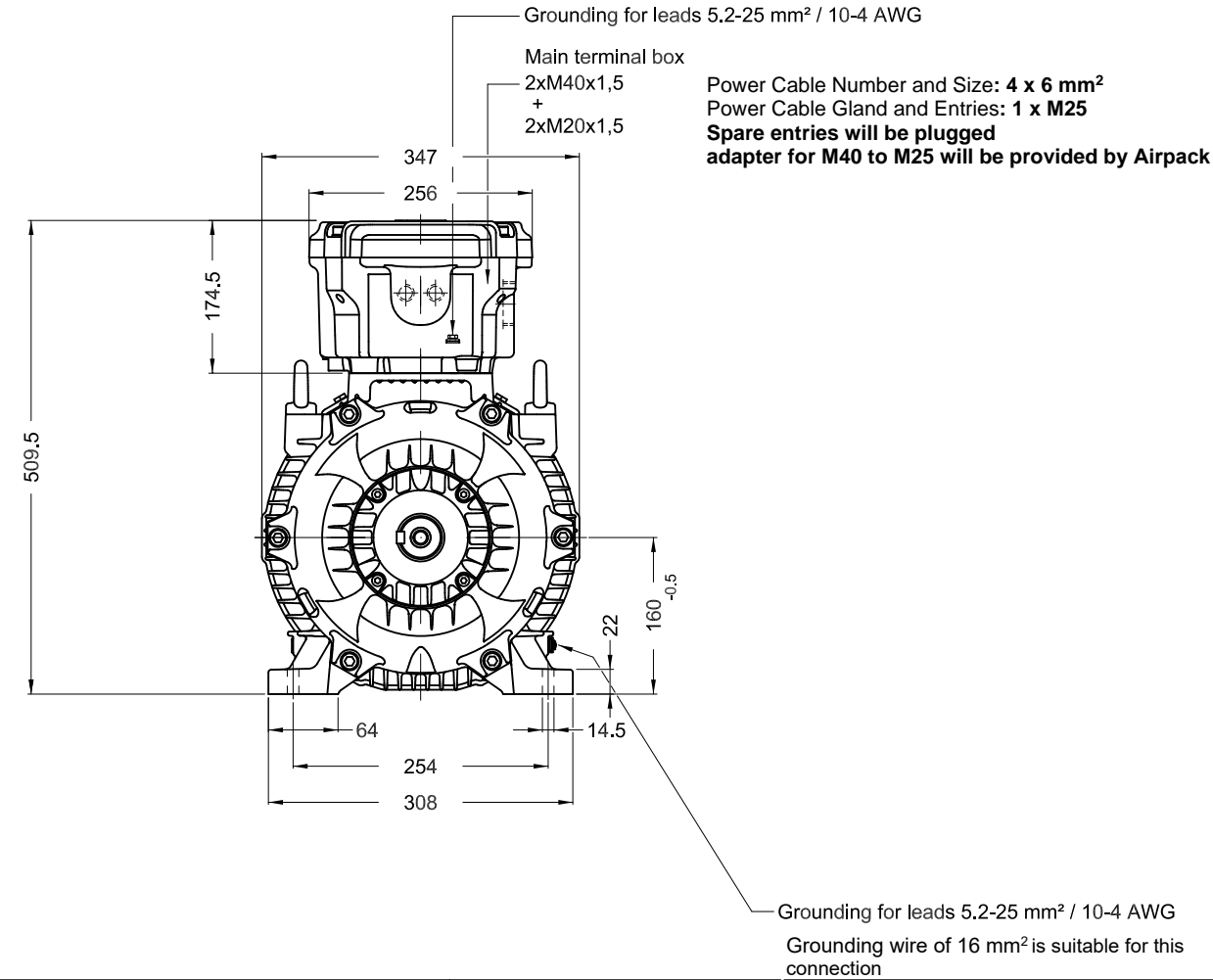
## COMPRESSOR MOTOR OUTLINE DRAWING & TERMINAL BOX WIRING DIAGRAM FOR EMERGENCY INSTRUMENT AIR COMPRESSOR

 شرکت سست و سویی گستر ایران (سهامی خاص)	 Chagalesh-Enerchimi-Steam Joint Venture BUPC-MEG PLANT PROJECT	BUSHEHR PETROCHEMICAL COMPANY MEG PLANT
<b>Document Review</b>		
Issue Purpose:	AFC	
Result Code: AP,AN,CM,RE,NC	AP	
Next Status : IFC,IFA,IFI,AFC,AB	AB	
Responsible Department	MECHANICAL	
Commented Date	JAN/31/2022	
<b>Approval or review hereunder shall not be construed to relieve Vendor /          Subcontractor of his responsibilities and liability under the contract.</b>		

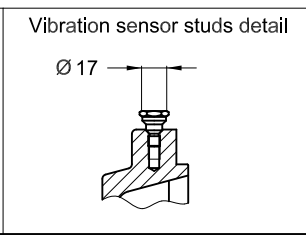
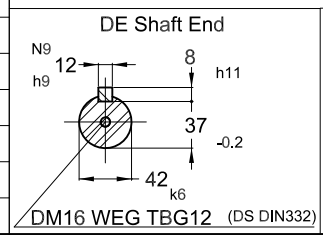
Rev.	Date	Purpose of Issue	Prepared	Checked	Approved	AC Code
03	24/01/2022	Approved for Construction	KP	LdM	JR	
02	06/01/2022	For approval	KP	LdM	JR	
01	10/12/2021	For approval	KP	LdM	JR	
00	08/12/2020	For approval	KP	LdM	JR	
				Class: 1		Phase: P



### Emergency Instrument Air Compressor 20-C-7080-M



- Tropicalized internal painting
- DE roller bearing
- Shaft locking device
- Shaft material - AISI/SAE 4140
- SPM studs
- Color RAL 5010
- Painting plan 205P
- Mounting B3T



15 kW 04 Poles 50 Hz		AIRPACK B.V.				A			
DOCUMENTO NOVO 419034292		MIRIANEV	WILLIANR	SIMONETTI	06.12.2021	01			
ECM	LOC	SUMMARY OF MODIFICATIONS			EXECUTED	CHECKED	RELEASED	DATE	VER
EXECUTED	PIRWBUSER	THREE PH. MOTOR W22Xdb IE4 Ex d IIB T4 FRAME 160M/L IP56 TEFC Main Compressor Motor 20-C-7080-M 15kW	1233471934		WEG				
CHECKED	NMAGNO		WDD	01					
RELEASED	NMAGNO								
REL DT.	23.11.2021	WMO	Jaragua do Sul	Product Engineering	SHEET	03/05			

CERTIFIED WEG MOTORES - Certified document. Not subject to changes. Dimensions in mm XME A3

1 2 3 4 5 6

Dimensional drawing subject to change. We reserve the right to change constructional details.  
 \* Detail out of scale.

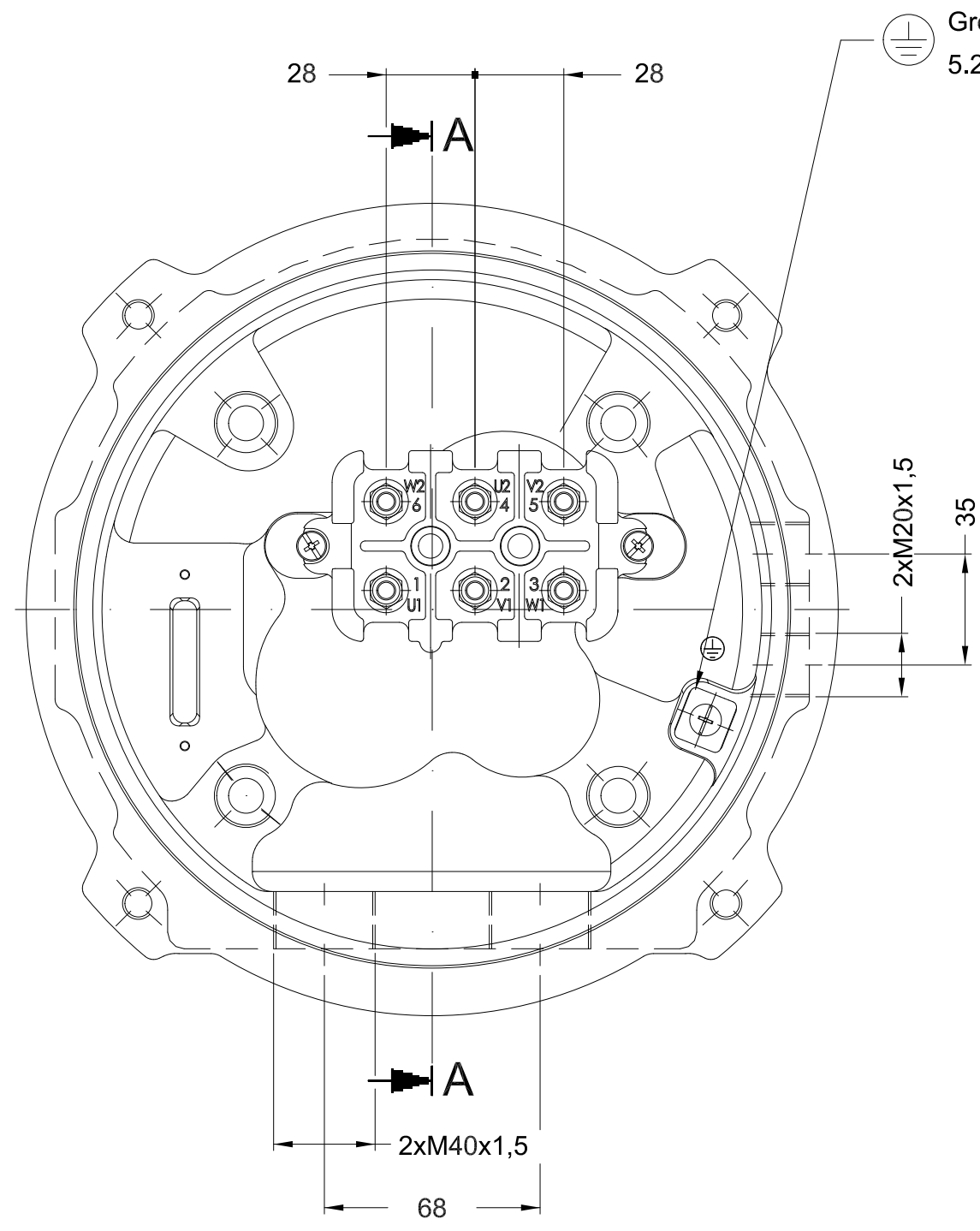
A

B

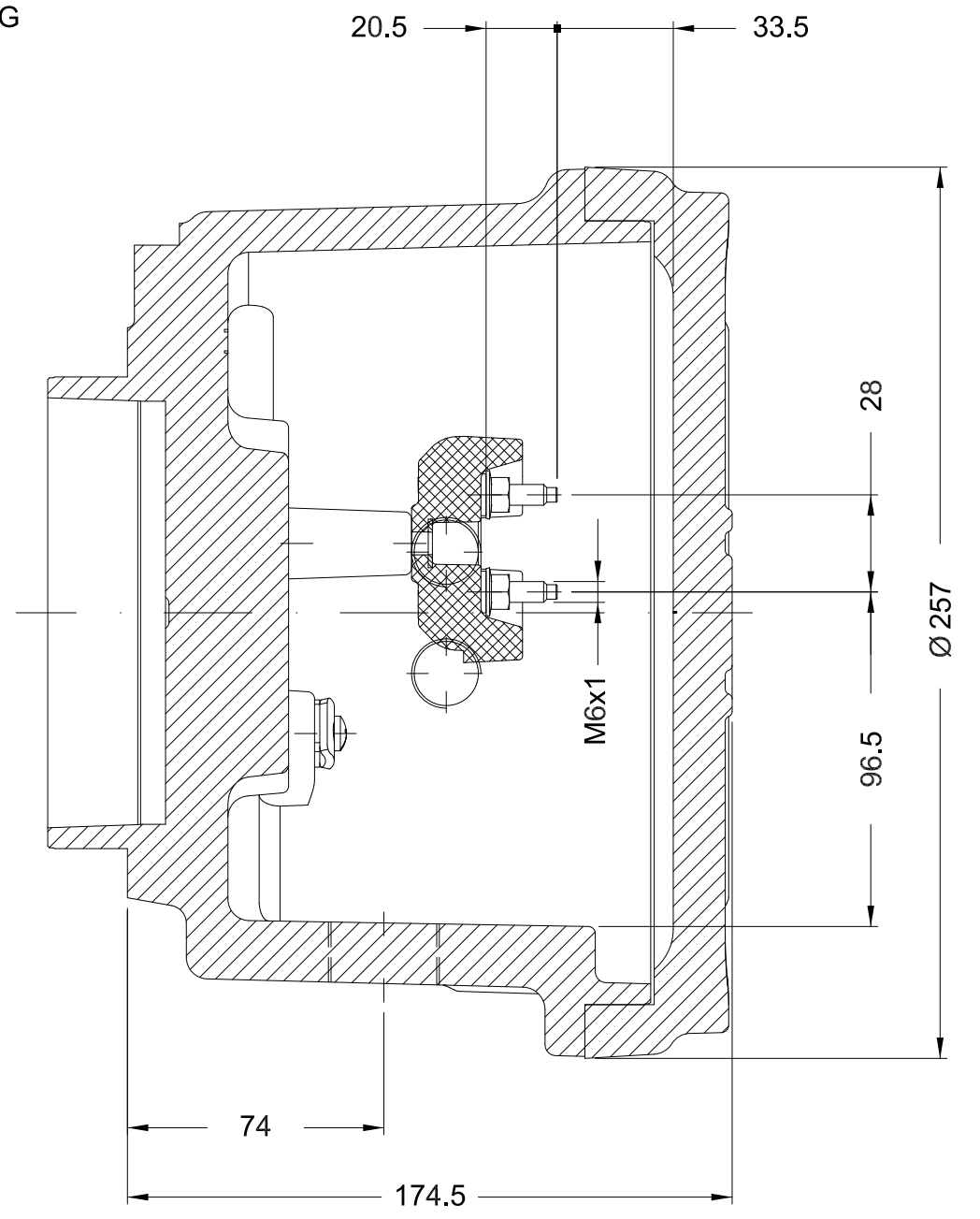
C

D

E



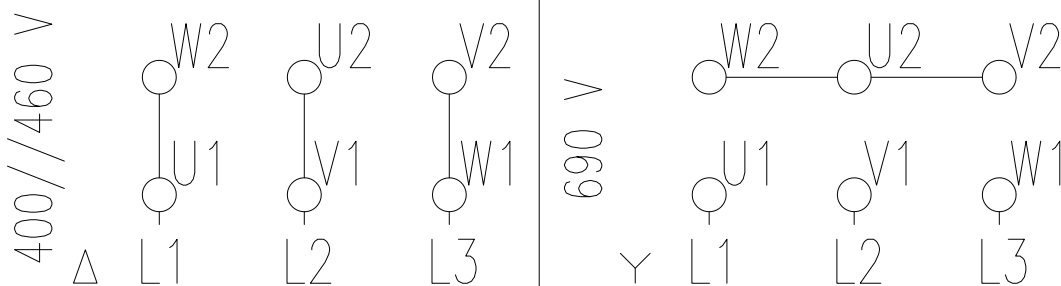
Grounding  
 5.2-25mm<sup>2</sup> / 10-4AWG



Section A-A

						ESC		1:2		
ECM	LOC	SUMMARY OF MODIFICATIONS				EXECUTED	CHECKED	RELEASED	DATE	VER
EXECUTED	YDAMHUIS	MAIN TERMINAL BOX FRAME 160M/L				PREVIEW				
CHECKED						WCD				
RELEASED						SHEET				
REL DT.						04/05				

THIS IS AN UPDATED REVISION, THE PREVIOUS ONE MUST BE DISREGARDED.



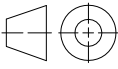

A

B

C

D

E

		ORIGINAL ISSUE		JESSICA	PATRICIA	CASTELLA	30.10.2018	00
ECM	LOC	RESUMO MODIFICAÇÃO SUMMARY OF MODIFICATIONS		EXECUTADO EXECUTED	VERIFICADO CHECKED	LIBERADO RELEASED	DATA DATE	VER VER
EXEC. /EXECUTED	JESSICA		LOW VOLTAGE - CONNECTION DIAGRAM 400/690//460V MOTOR WITH 06 CABLES	400/690//460-6				
VERIF. /CHECKED	PATRICIA			IEC	00			
LIBER. /RELEASED	CASTELLA							
DATA LB /REL DT	30.10.2018	WMO	JARAGUÁ DO SUL	ADMINISTRAÇÃO DE VENDAS	FOLHA /SHEET	05/05		