








OWNER:  شرکت سست و سویی توهمه ایرانیان (سایه پارس)	BUSHEHR PETROCHEMICAL COMPANY MEG PLANT						EPC CONTRACTOR:  Chagalesh-Enerchimi-Steam Joint Venture BUPC-MEG PLANT PROJECT		
	INSTRUMENT HOOK UP DRAWING FOR NITROGEN GAS BOOSTER						 Netherlands		
MC :   شرکت سست و سویی توهمه ایرانیان (سایه پارس)	Project	Area	Phase	Unit	Dis.	Doc.	Seq.	Contract No : 52-98/445	
Owner Document Number: 17811-38A	BU	20	VD	303	IN	DWG	0033	Rev.:	Page
								02	1 of 12

INSTRUMENT HOOK UP DRAWING FOR NITROGEN GAS BOOSTER

 شرکت سست و سویی توهمه ایرانیان (سایه پارس)	 Chagalesh-Enerchimi-Steam Joint Venture BUPC-MEG PLANT PROJECT	BUSHEHR PETROCHEMICAL COMPANY MEG PLANT
Document Review		
Issue Purpose:	IFA	
Result Code: AP,AN,CM,RE,NC	CM	
Next Status : IFC,IFA,IFI,AFC,AB	IFA	
Responsible Department	MECHANICAL	
Commented Date	Feb/23/2022	
Approval or review hereunder shall not be construed to relieve Vendor / Subcontractor of his responsibilities and liability under the contract.		

02	14/02/2022	For approval	WZ	KP	LdM	
01	16/11/2021	For approval	WZ	KP	LdM	
00	08/12/2020	For approval	WZ	KP	LdM	
Rev.	Date	Purpose of Issue	Prepared	Checked	Approved	AC Code
					Class: 1	Phase: P

BILL OF MATERIALS

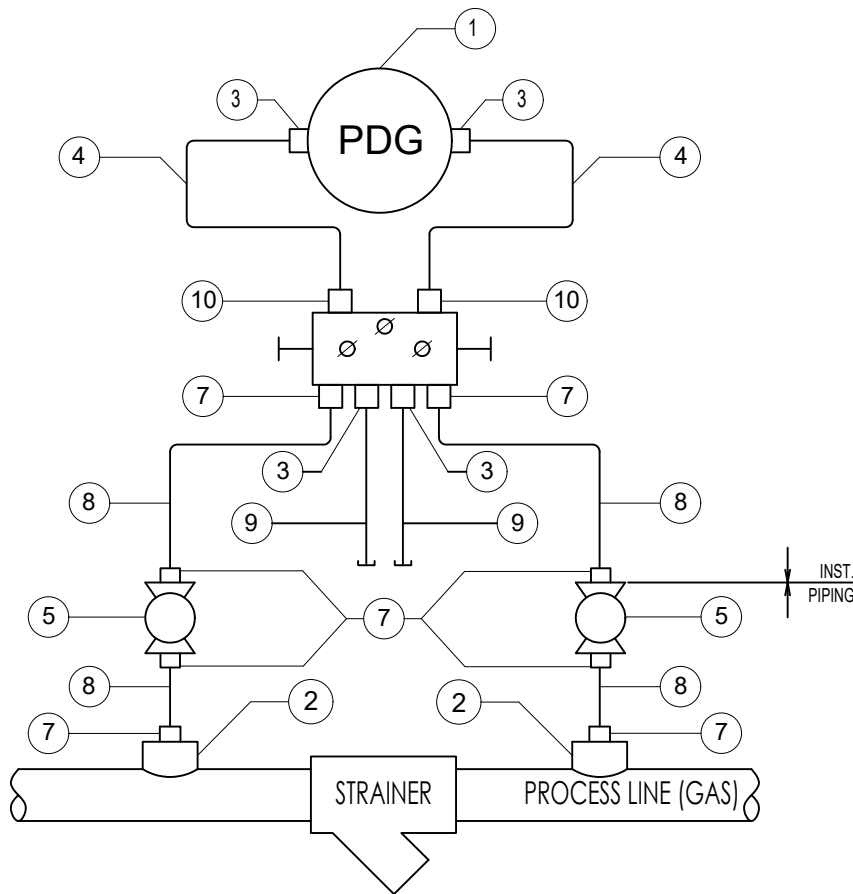
ITEM NO:	DESCRIPTION	MATERIAL	Q'TY
1	PRESSURE DIFFERENTIAL GAUGE	SS316	1
2	PROCESS CONNECTION 1/2" NPT-F	SS316	2
3	CONNECTOR DOUBLE COMPRESSION TYPE 1/4" NPT-M - 1/4" OD	SS316	4
4	TUBING 1/4" OD	SS316	-
5	2-WAY BALL VALVE 1/2" NPT-F	SS316	2
6	5-WAY BLOCK & BLEED MANIFOLD	SS316	1
7	CONNECTOR DOUBLE COMPRESSION TYPE 1/2" NPT-M - 1/2" OD	SS316	8
8	TUBING 1/2" OD	SS316	-
9	TUBING 1/4" OD WITH CAP	SS316	-
10	CONNECTOR DOUBLE COMPRESSION TYPE 1/2" NPT-M - 1/4" OD	SS316	2

TAG NO: PDG-10151

In gas services, pressure tapping shall be in 12 o'clock of pipe, also tapping orientation shall be specified in pressure hook-up with figure or as a note.

NO. OF INSTALLATIONS: 1

PRESSURE DIFFERENTIAL GAUGE



SUBJECT		INSTRUMENT HOOK UP DRAWING FOR NITROGEN COMPRESSOR		DATE	07-12-2020	THIS DRAWING IS OWNED BY AIRPACK AND SHALL NOT BE PRINTED OR COPIED IN ANY OTHER WAY THAN WITH AIRPACKS PERMISSION			
CLIENT	Bushehr Petrochemical Company (BUPC)	PLANT LOCATION	IRAN, DNSHORE	DRAWN BY	WZ		02	11-02-2022	VZ
CLIENT REF	17811	SCALE	-	CHECKED BY	KP		01	15-11-2021	VZ
AIRPACK REF	17811-COM	DRAWING NO.	17811-38				00	07-12-2020	VZ
MODIFICATIONS						SHEET	01/10		

BILL OF MATERIALS

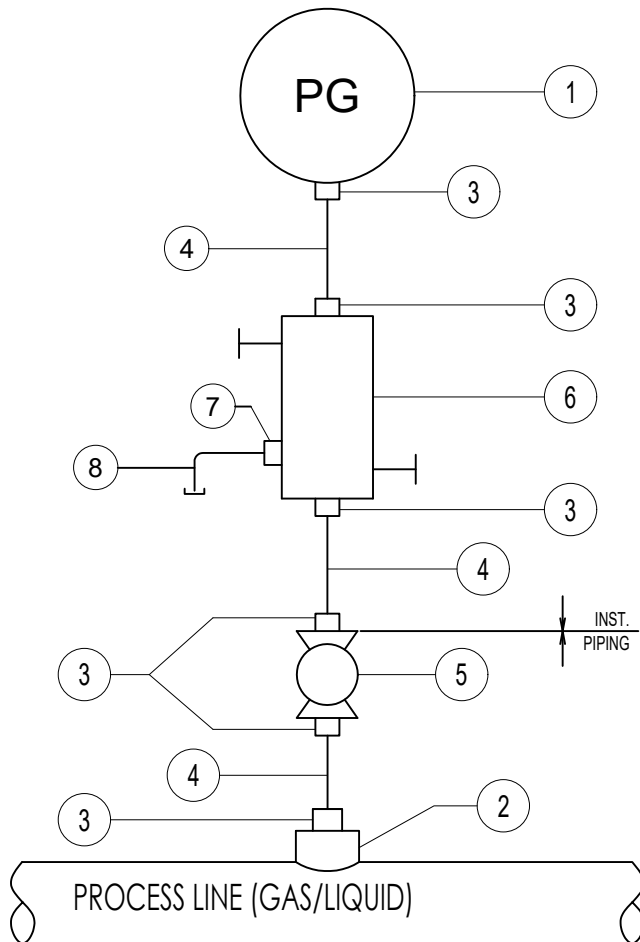
ITEM NO:	DESCRIPTION	MATERIAL	Q'TY
1	PRESSURE GAUGE	SS316	1
2	PROCESS CONNECTION 1/2" NPT-F	SS316	1
3	CONNECTOR DOUBLE COMPRESSION TYPE 1/2" NPT-M - 1/2" OD	SS316	6
4	TUBING 1/2" OD	SS316	-
5	2-WAY BALL VALVE 1/2" NPT-F	SS316	1
6	2-WAY BLOCK & BLEED MANIFOLD	SS316	1
7	CONNECTOR DOUBLE COMPRESSION TYPE 1/4" NPT-F - 1/4" OD	SS316	1
8	TUBING 1/4" OD WITH CAP	SS316	-


TAG NO: PG-10152 / PG-10155 / PG-10160/ PG-10161

Pressure hook-up for gas and liquid services shall be segregated and specified in different pages, because of in gas services, pressure tapping shall be in 12 o'clock of pipe and in liquid services, pressure tapping shall be in 6 o'clock of pipe, also tapping orientation shall be specified in pressure hook-up with figure or as a note.

NO. OF INSTALLATIONS: 4

PRESSURE GAUGE



	SUBJECT		INSTRUMENT HOOK UP DRAWING FOR NITROGEN COMPRESSOR		DATE	07-12-2020	THIS DRAWING IS OWNED BY AIRPACK AND SHALL NOT BE PRINTED OR COPIED IN ANY OTHER WAY THAN WITH AIRPACKS PERMISSION 02 11-02-2022 VZ 01 15-11-2021 VZ 00 07-12-2020 VZ
	CLIENT	Bushehr Petrochemical Company (BUPC)		PLANT LOCATION	IRAN, DNSHORE		
	CLIENT REF	17811		SCALE	-		
	AIRPACK REF	17811-CDM		DRAWING NO.	17811-38		
				MODIFICATIONS	SHEET	02/10	

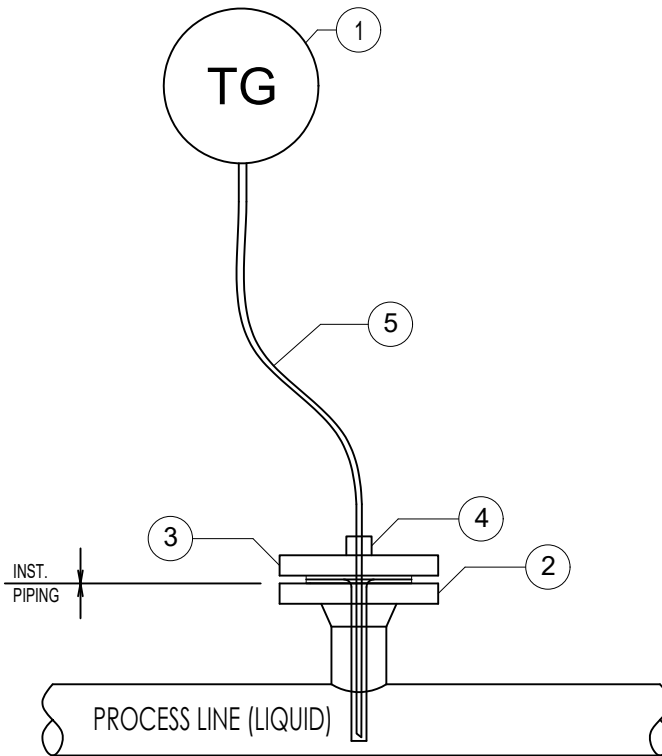
BILL OF MATERIALS


ITEM NO:	DESCRIPTION	MATERIAL	Q'TY
1	TEMPERATURE GAUGE	SS316	1
2	PROCESS CONNECTION 1 1/2" ANSI 300# RF	SS316	1
3	THERMOWELL 1 1/2" ANSI 300# RF	SS316	1
4	CONNECTOR DOUBLE COMPRESSION FITTING 1/2" NPT-M - 6 MM OD	SS316	1
5	CAPILARY, L=5M MOULDED TO TEMPERATURE ELEMENT	SS316	1

TAG NO: TG-10156 / TG-10157 / TG-10158

NO. OF INSTALLATIONS: 3

TEMPERATURE GAUGE



	SUBJECT		INSTRUMENT HOOK UP DRAWING FOR NITROGEN COMPRESSOR		DATE	07-12-2020	THIS DRAWING IS OWNED BY AIRPACK AND SHALL NOT BE PRINTED OR COPIED IN ANY OTHER WAY THAN WITH AIRPACKS PERMISSION 02 11-02-2022 VZ 01 15-11-2021 VZ 00 07-12-2020 VZ
	CLIENT	Bushehr Petrochemical Company (BUPC)		PLANT LOCATION	IRAN, DNSHORE		
	CLIENT REF	17811		SCALE	-		
	AIRPACK REF	17811-COM		DRAWING NO.	17811-38		
		MODIFICATIONS		SHEET	03/10		

BILL OF MATERIALS

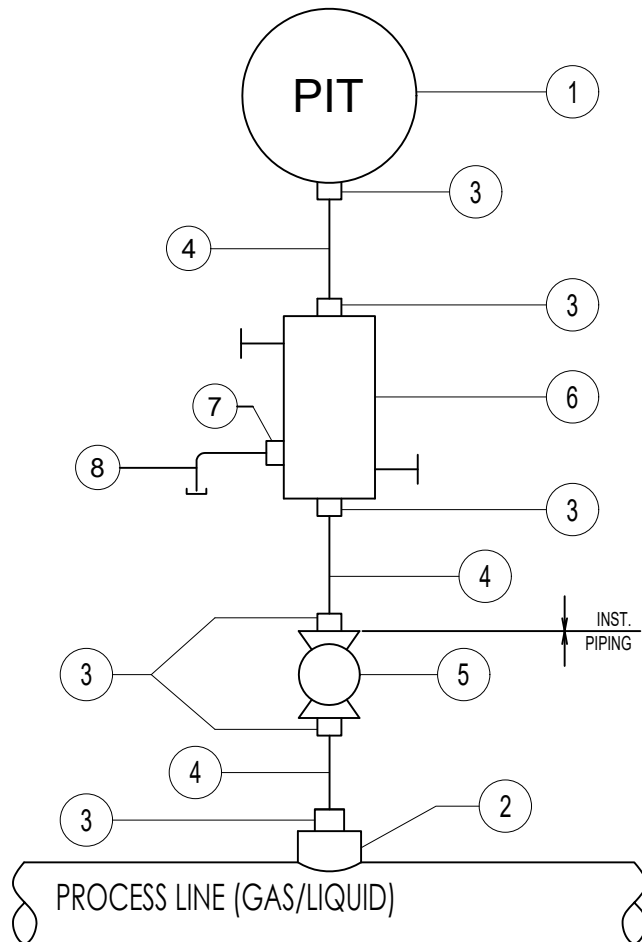
ITEM NO:	DESCRIPTION	MATERIAL	Q'TY
1	PRESSURE TRANSMITTER	ALUMINIUM	1
2	PROCESS CONNECTION 1/2" NPT-F	SS316	1
3	CONNECTOR DOUBLE COMPRESSION TYPE 1/2" NPT-M - 1/2" OD	SS316	6
4	TUBING 1/2" OD	SS316	-
5	2-WAY BALL VALVE 1/2" NPT-F	SS316	1
6	2-WAY BLOCK & BLEED MANIFOLD	SS316	1
7	CONNECTOR DOUBLE COMPRESSION TYPE 1/4" NPT-F - 1/4" OD	SS316	1
8	TUBING 1/4" OD WITH CAP	SS316	-


TAG NO: PIT-10153 / PIT-10154 / PIT-10156 / PIT-10157 / PIT-10158 / PIT-10159

Pressure hook-up for gas and liquid services shall be segregated and specified in different pages, because of in gas services, pressure tapping shall be in 12 o'clock of pipe and in liquid services, pressure tapping shall be in 6 o'clock of pipe, also tapping orientation shall be specified in pressure hook-up with figure or as a note.

NO. OF INSTALLATIONS: 6

PRESSURE TRANSMITTER



	SUBJECT	INSTRUMENT HOOK UP DRAWING FOR NITROGEN COMPRESSOR	DATE	07-12-2020	THIS DRAWING IS OWNED BY AIRPACK AND SHALL NOT BE PRINTED OR COPIED IN ANY OTHER WAY THAN WITH AIRPACKS PERMISSION 02 11-02-2022 VZ 01 15-11-2021 VZ 00 07-12-2020 VZ
	CLIENT	Bushehr Petrochemical Company (BUPC)	PLANT LOCATION	IRAN, DNSHORE	
	CLIENT REF	17811	SCALE	-	
	AIRPACK REF	17811-CDM	DRAWING NO.	17811-38	
			MODIFICATIONS	SHEET	04/10

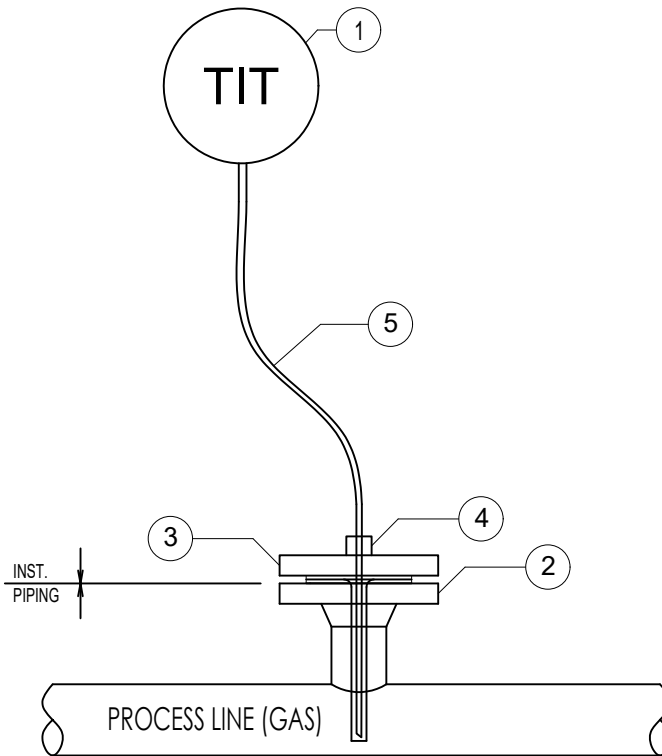
BILL OF MATERIALS


ITEM NO:	DESCRIPTION	MATERIAL	Q'TY
1	TEMPERATURE TRANSMITTER	ALUMINIUM	1
2	PROCESS CONNECTION 1 1/2" ANSI 300# RF	SS316	1
3	THERMOWELL 1 1/2" ANSI 300# RF	SS316	1
4	CONNECTOR DOUBLE COMPRESSION FITTING 1/2" NPT-M - 6 MM OD	SS316	1
5	CAPILARY, L=5M MOULDED TO TEMPERATURE ELEMENT	SS316	1

TAG NO: TIT-10151 / TIT-10152 / TIT-10153 / TIT-10154 / TIT-10155

NO. OF INSTALLATIONS: 4

TEMPERATURE TRANSMITTER



	SUBJECT		INSTRUMENT HOOK UP DRAWING FOR NITROGEN COMPRESSOR		DATE	07-12-2020	THIS DRAWING IS OWNED BY AIRPACK AND SHALL NOT BE PRINTED OR COPIED IN ANY OTHER WAY THAN WITH AIRPACKS PERMISSION 02 11-02-2022 VZ 01 15-11-2021 VZ 00 07-12-2020 VZ
	CLIENT	Bushehr Petrochemical Company (BUPC)		PLANT LOCATION	IRAN, DNSHORE		
	CLIENT REF	17811		SCALE	-		
	AIRPACK REF	17811-COM		DRAWING NO.	17811-38		
MODIFICATIONS		SHEET		05/10			

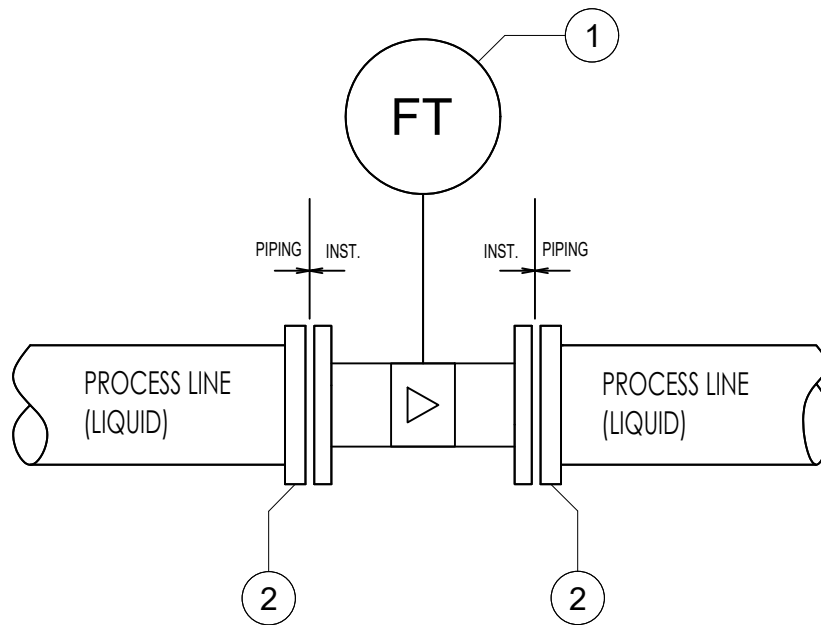
BILL OF MATERIALS


ITEM NO:	DESCRIPTION	MATERIAL	Q'TY
1	VORTEX FLOW TRANSMITTER	ALUMINIUM	1
2	PROCESS CONNECTION 1 1/2" ANSI 150# RF	SS 316	2

TAG NO: FT-10151

NO. OF INSTALLATIONS: 1

FLOW TRANSMITTER



	SUBJECT		INSTRUMENT HOOK UP DRAWING FOR NITROGEN COMPRESSOR	DATE	07-12-2020	THIS DRAWING IS OWNED BY AIRPACK AND SHALL NOT BE PRINTED OR COPIED IN ANY OTHER WAY THAN WITH AIRPACKS PERMISSION 02 11-02-2022 VZ 01 15-11-2021 VZ 00 07-12-2020 VZ
	CLIENT	Bushehr Petrochemical Company (BUPC)	PLANT LOCATION	IRAN, DNSHORE		
	CLIENT REF	17811	SCALE	-		
	AIRPACK REF	17811-COM	DRAWING NO.	17811-38		
MODIFICATIONS		SHEET		06/10		

BILL OF MATERIALS

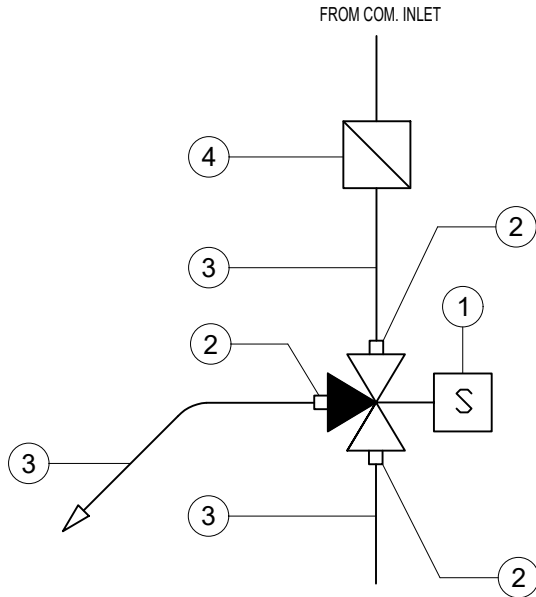
ITEM NO:	DESCRIPTION	MATERIAL	Q'TY
1	3-WAY SOLENOID VALVE	SS 316	1
2	CONNECTOR DOUBLE COMPRESSION TYPE 1/4" NPT-M - 1/4" OD	SS 316	3
3	TUBING 1/4" OD	SS 316	-
4	AIR INLET FILTER	SS 316	1


Filter/Regulator

TAG NO: XY-10151

NO. OF INSTALLATIONS: 1

SOLENOID VALVE



	SUBJECT		INSTRUMENT HOOK UP DRAWING FOR NITROGEN COMPRESSOR		DATE	07-12-2020	THIS DRAWING IS OWNED BY AIRPACK AND SHALL NOT BE PRINTED OR COPIED IN ANY OTHER WAY THAN WITH AIRPACKS PERMISSION			
	CLIENT	Bushehr Petrochemical Company (BUPC)		PLANT LOCATION	IRAN, DNSHORE			02	11-02-2022	VZ
	CLIENT REF	17811		SCALE	-			01	15-11-2021	VZ
	AIRPACK REF	17811-COM		DRAWING NO.	17811-38			00	07-12-2020	VZ
							MODIFICATIONS	SHEET	07/10	

BILL OF MATERIALS

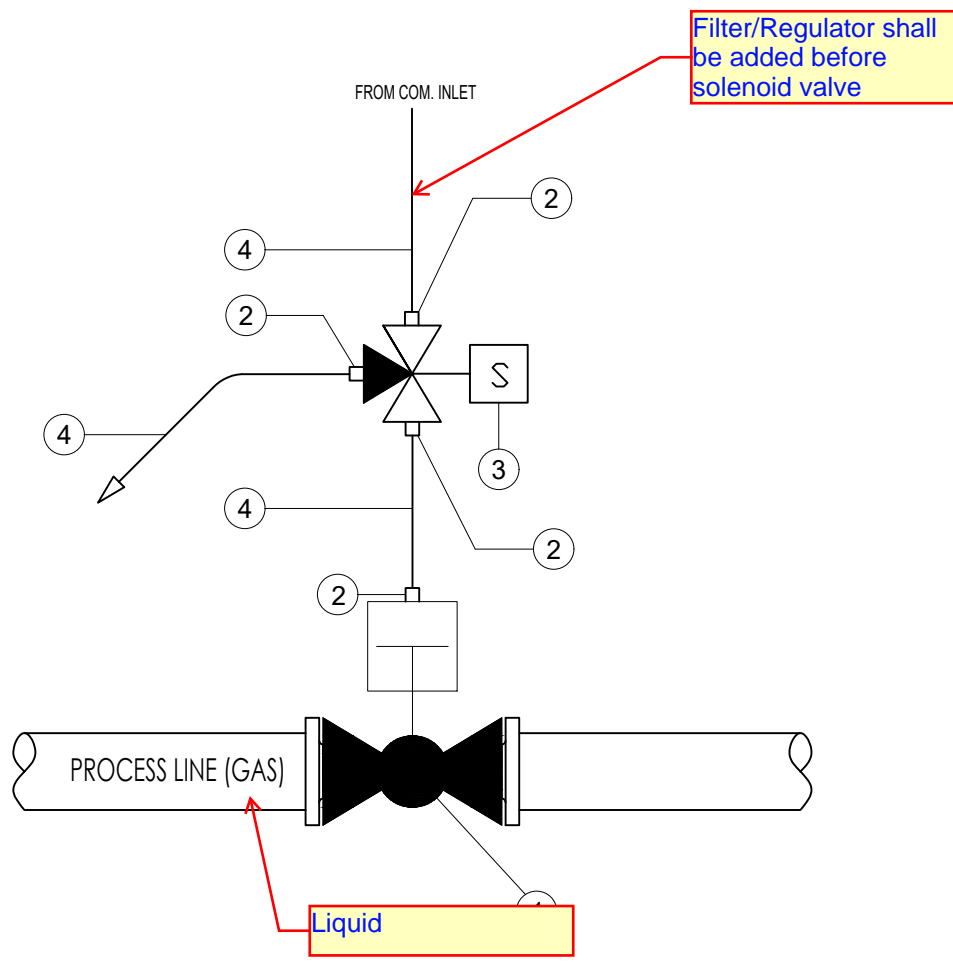
ITEM NO:	DESCRIPTION	MATERIAL	Q'TY
1	2-WAY BALL VALVE 1 1/2" ANSI 150# RF	SS 316	1
2	CONNECTOR DOUBLE COMPRESSION TYPE 1/4" NPT-M - 1/4" OD	SS 316	4
3	3-WAY SOLENOID VALVE	SS 316	1
4	TUBING 1/4" OD	SS 316	-

TAG NO: XV-10152
XY-10152

1

NO. OF INSTALLATIONS: 2

PNEUMATIC OPERATED BALL VALVE



SUBJECT		INSTRUMENT HOOK UP DRAWING FOR NITROGEN COMPRESSOR		DATE	07-12-2020	THIS DRAWING IS OWNED BY AIRPACK AND SHALL NOT BE PRINTED OR COPIED IN ANY OTHER WAY THAN WITH AIRPACKS PERMISSION			
CLIENT	Bushehr Petrochemical Company (BUPC)	PLANT LOCATION	IRAN, DNSHORE	DRAWN BY	WZ		02	11-02-2022	VZ
CLIENT REF	17811	SCALE	-	CHECKED BY	KP		01	15-11-2021	VZ
AIRPACK REF	17811-COM	DRAWING NO.	17811-38	MODIFICATIONS			00	07-12-2020	VZ
						SHEET	08/10		

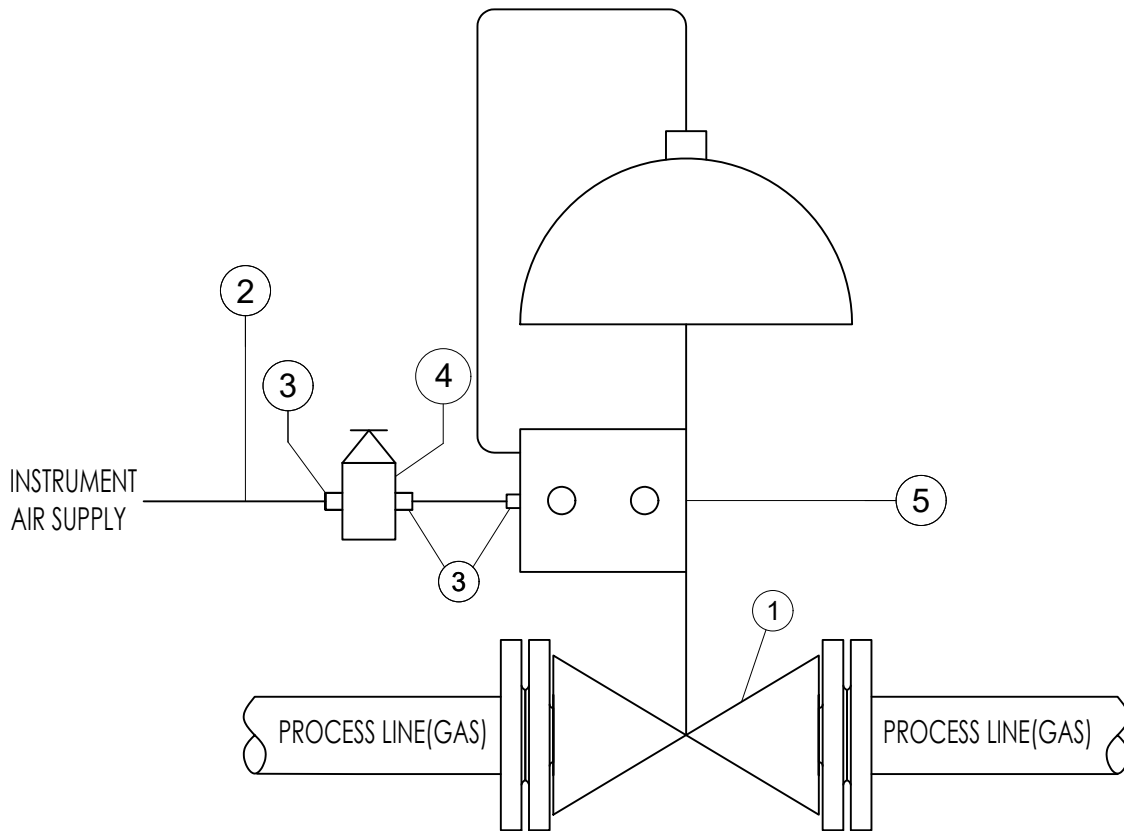
BILL OF MATERIALS


ITEM NO:	DESCRIPTION	MATERIAL	Q'TY
1	PRESSURE RECYCLE VALVE 1" ANSI 300# RF	SS316	1
2	TUBING 1/4" OD	SS316	-
3	CONNECTOR DOUBLE COMPRESSION TYPE 1/4" NPT-M x 1/4" OD	SS316	3
4	FILTER REGULATOR	SS316	1
5	VALVE POSITIONER WITH INLET AND OUTLET GAUGE	SS316	1

TAG NO: PV-10151

NO. OF INSTALLATIONS: 1

PRESSURE RECYCLE VALVE



	SUBJECT		INSTRUMENT HOOK UP DRAWING FOR NITROGEN COMPRESSOR		DATE	07-12-2020	THIS DRAWING IS OWNED BY AIRPACK AND SHALL NOT BE PRINTED OR COPIED IN ANY OTHER WAY THAN WITH AIRPACKS PERMISSION			
	CLIENT	Bushehr Petrochemical Company (BUPC)		PLANT LOCATION	IRAN, DNSHORE			02	11-02-2022	VZ
	CLIENT REF	17811		SCALE	-			01	15-11-2021	VZ
	AIRPACK REF	17811-COM		DRAWING NO.	17811-38			00	07-12-2020	VZ
							MODIFICATIONS	SHEET	09/10	

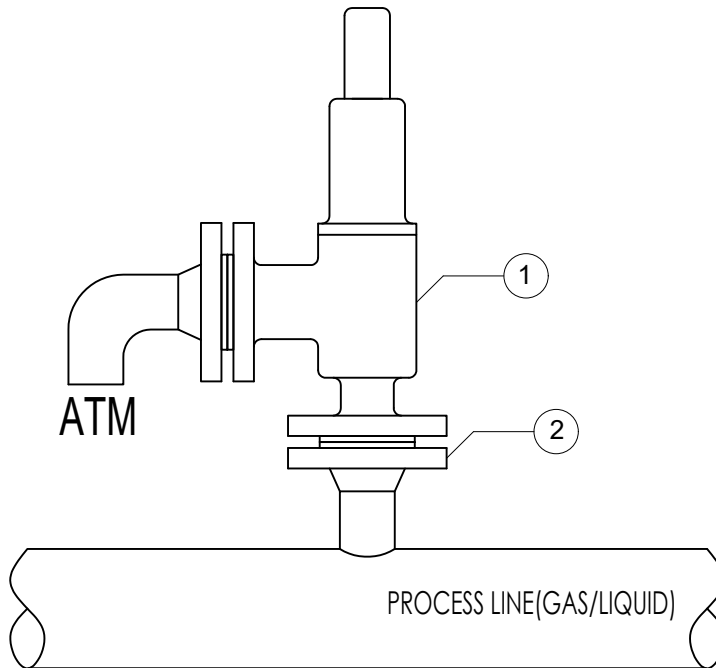
BILL OF MATERIALS


ITEM NO:	DESCRIPTION	MATERIAL	Q'TY
1	PRESSURE SAFETY VALVE 1" ANSI 300# RF / ... / VTA" ANSI 150# RF	SS 316	1
2	PROCESS CONNECTION 1" ANSI 150# RF	SS 316	1

TAG NO: PSV-10151 / PSV-10152 / PSV-10153

NO. OF INSTALLATIONS: 3

PRESSURE SAFETY VALVE



	SUBJECT		INSTRUMENT HOOK UP DRAWING FOR NITROGEN COMPRESSOR		DATE	07-12-2020	THIS DRAWING IS OWNED BY AIRPACK AND SHALL NOT BE PRINTED OR COPIED IN ANY OTHER WAY THAN WITH AIRPACKS PERMISSION 02 11-02-2022 VZ 01 15-11-2021 VZ 00 07-12-2020 VZ
	CLIENT	Bushehr Petrochemical Company (BUPC)		PLANT LOCATION	IRAN, DNSHORE		
	CLIENT REF	17811		SCALE	-		
	AIRPACK REF	17811-COM		DRAWING NO.	17811-38		
MODIFICATIONS		SHEET		10/10			