







OWNER:  شرکت سست و سویی توهمه ایراسیان (سیاه، قفقاز)	<b>BUSHEHR PETROCHEMICAL COMPANY MEG PLANT</b>						EPC CONTRACTOR:  Chagalesh-Enerchimi-Steam Joint Venture BUPC-MEG PLANT PROJECT		
	<b>INSTRUMENT HOOK UP DRAWING FOR EMERGENCY INSTRUMENT AIR COMPRESSOR</b>						 Netherlands		
MC :  شرکت سست و سویی توهمه ایراسیان (سیاه، قفقاز)	Project	Area	Phase	Unit	Dis.	Doc.	Seq.	Contract No : 52-98/445	
Owner Document Number: 17811-38B	BU	20	VD	303	IN	DWG	0103	Rev.:	Page
								01	1 of 12

## INSTRUMENT HOOK UP DRAWING FOR EMERGENCY INSTRUMENT AIR COMPRESSOR

 شرکت سست و سویی توهمه ایراسیان (سیاه، قفقاز)	 Chagalesh-Enerchimi-Steam Joint Venture BUPC-MEG PLANT PROJECT	<b>BUSHEHR PETROCHEMICAL COMPANY MEG PLANT</b>
<b>Document Review</b>		
Issue Purpose:	IFA	
Result Code: AP,AN,CM,RE,NC	CM	
Next Status : IFC,IFA,IFI,AFC,AB	IFA	
Responsible Department	MECHANICAL	
Commented Date	Feb/23/2022	
<b>Approval or review hereunder shall not be construed to relieve Vendor / Subcontractor of his responsibilities and liability under the contract.</b>		

Rev.	Date	Purpose of Issue	Prepared	Checked	Approved	AC Code
01	14/02/2022	For approval	WZ	KP	LdM	
00	16/11/2021	For approval	WZ	KP	LdM	
					Class: 1	Phase: P



**BILL OF MATERIALS**

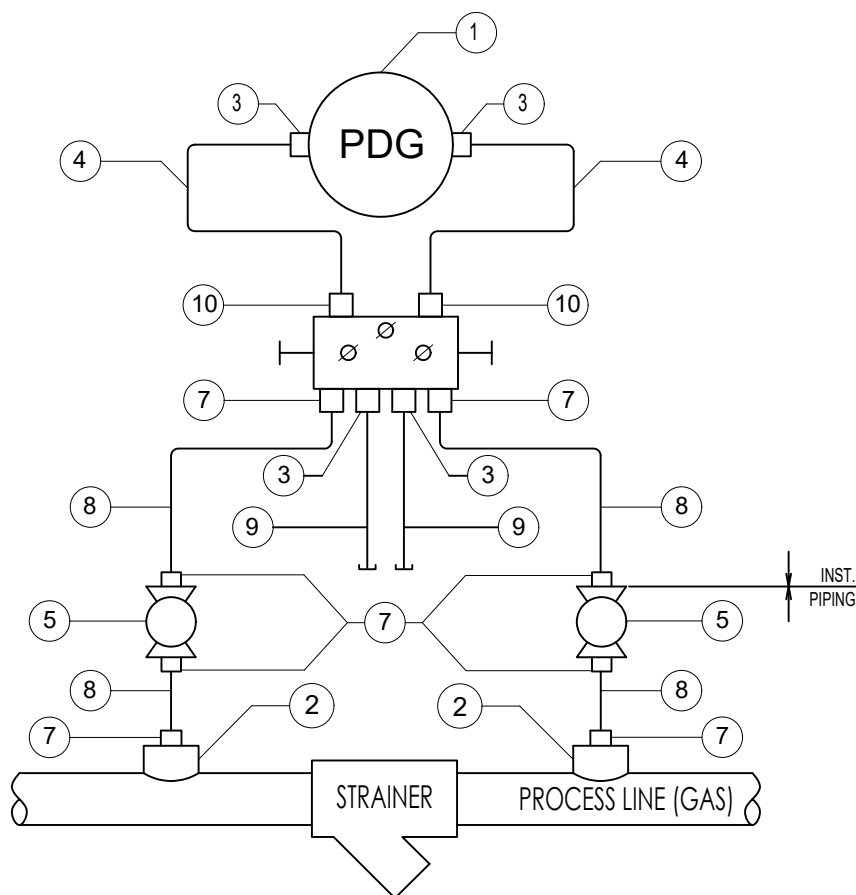
ITEM NO:	DESCRIPTION	MATERIAL	Q'TY
1	PRESSURE DIFFERENTIAL GAUGE	SS316	1
2	PROCESS CONNECTION 1/2" NPT-F	SS316	2
3	CONNECTOR DOUBLE COMPRESSION TYPE 1/4" NPT-M - 1/4" OD	SS316	4
4	TUBING 1/4" OD	SS316	-
5	2-WAY BALL VALVE 1/2" NPT-F	SS316	2
6	5-WAY BLOCK & BLEED MANIFOLD	SS316	1
7	CONNECTOR DOUBLE COMPRESSION TYPE 1/2" NPT-M - 1/2" OD	SS316	8
8	TUBING 1/2" OD	SS316	-
9	TUBING 1/4" OD WITH CAP	SS316	-
10	CONNECTOR DOUBLE COMPRESSION TYPE 1/2" NPT-M - 1/4" OD	SS316	2

TAG NO: PDG-71101

In gas services, pressure tapping shall be in 12 o'clock of pipe, also tapping orientation shall be specified in pressure hook-up with figure or as a note.

NO. OF INSTALLATIONS: 1

## PRESSURE DIFFERENTIAL GAUGE



SUBJECT	INSTRUMENT HOOK UP DRAWING FOR EMERGENCY INSTRUMENT AIR COMPRESSOR	DATE	15-11-2021	THIS DRAWING IS OWNED BY AIRPACK AND SHALL NOT BE PRINTED OR COPIED IN ANY OTHER WAY THAN WITH AIRPACKS PERMISSION			
		DRAWN BY	WZ				
CLIENT	Bushehr Petrochemical Company (BUPC)	CHECKED BY	KP				
CLIENT REF	17811	PLANT LOCATION	IRAN, DNSHORE		01	11-02-2022	VZ
AIRPACK REF	17811-COM	SCALE	-		00	15-11-2021	VZ
		DRAWING NO.	17811-38	MODIFICATIONS			
					SHEET		01/10

**BILL OF MATERIALS**

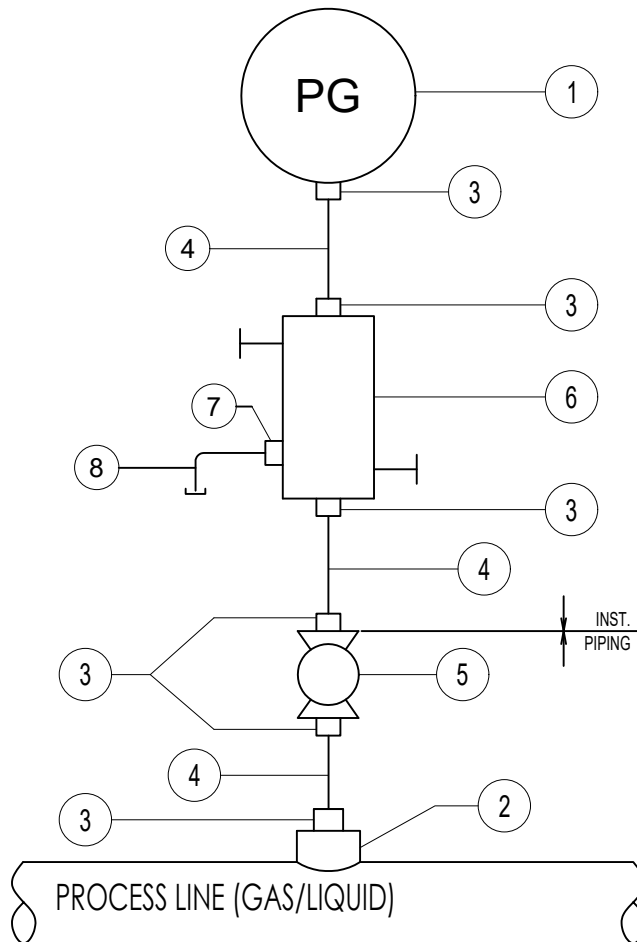
ITEM NO:	DESCRIPTION	MATERIAL	Q'TY
1	PRESSURE GAUGE	SS316	1
2	PROCESS CONNECTION 1/2" NPT-F	SS316	1
3	CONNECTOR DOUBLE COMPRESSION TYPE 1/2" NPT-M - 1/2" OD	SS316	6
4	TUBING 1/2" OD	SS316	-
5	2-WAY BALL VALVE 1/2" NPT-F	SS316	1
6	2-WAY BLOCK & BLEED MANIFOLD	SS316	1
7	CONNECTOR DOUBLE COMPRESSION TYPE 1/4" NPT-F - 1/4" OD	SS316	1
8	TUBING 1/4" OD WITH CAP	SS316	-


TAG NO: PG-71102 / PG-71105 / PG-71106

Pressure hook-up for gas and liquid services shall be segregated and specified in different pages, because of in gas services, pressure tapping shall be in 12 o'clock of pipe and in liquid services, pressure tapping shall be in 6 o'clock of pipe, also tapping orientation shall be specified in pressure hook-up with figure or as a note.

NO. OF INSTALLATIONS: 3

## PRESSURE GAUGE



	SUBJECT		INSTRUMENT HOOK UP DRAWING FOR EMERGENCY INSTRUMENT AIR COMPRESSOR	DATE	15-11-2021	THIS DRAWING IS OWNED BY AIRPACK AND SHALL NOT BE PRINTED OR COPIED IN ANY OTHER WAY THAN WITH AIRPACKS PERMISSION 01 11-02-2022 VZ 00 15-11-2021 VZ
	CLIENT	Bushehr Petrochemical Company (BUPC)	PLANT LOCATION	IRAN, DNSHORE		
	CLIENT REF	17811	SCALE	-		
	AIRPACK REF	17811-CDM	DRAWING NO.	17811-38		
		MODIFICATIONS		SHEET	02/10	

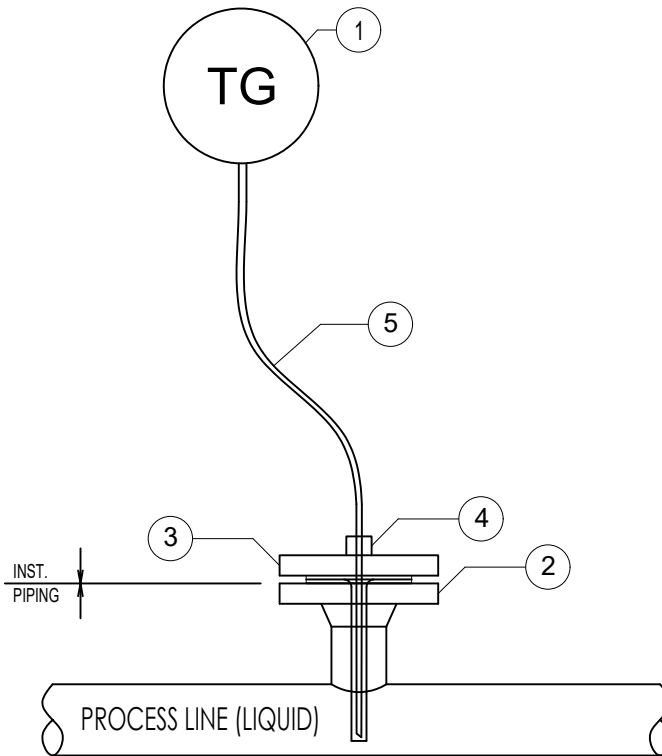
**BILL OF MATERIALS**


ITEM NO:	DESCRIPTION	MATERIAL	Q'TY
1	TEMPERATURE GAUGE	SS316	1
2	PROCESS CONNECTION 1 1/2" ANSI 300# RF	SS316	1
3	THERMOWELL 1 1/2" ANSI 300# RF	SS316	1
4	CONNECTOR DOUBLE COMPRESSION FITTING 1/2" NPT-M - 6 MM OD	SS316	1
5	CAPILARY, L=5M MOULDED TO TEMPERATURE ELEMENT	SS316	1

TAG NO: TG-71103 / TG-71104

NO. OF INSTALLATIONS: 2

## TEMPERATURE GAUGE



	SUBJECT		INSTRUMENT HOOK UP DRAWING FOR EMERGENCY INSTRUMENT AIR COMPRESSOR	DATE	15-11-2021	THIS DRAWING IS OWNED BY AIRPACK AND SHALL NOT BE PRINTED OR COPIED IN ANY OTHER WAY THAN WITH AIRPACKS PERMISSION 01 11-02-2022 VZ 00 15-11-2021 VZ
	CLIENT	Bushehr Petrochemical Company (BUPC)	PLANT LOCATION	IRAN, DNSHORE		
	CLIENT REF	17811	SCALE	-		
	AIRPACK REF	17811-COM	DRAWING NO.	17811-38		
	MODIFICATIONS		SHEET		03/10	

**BILL OF MATERIALS**

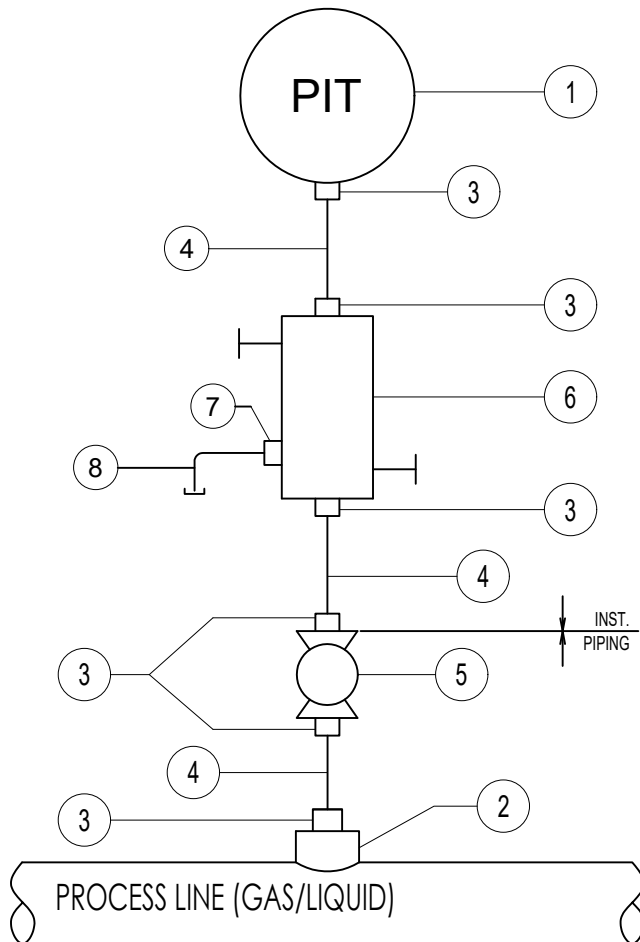
ITEM NO:	DESCRIPTION	MATERIAL	Q'TY
1	PRESSURE TRANSMITTER	ALUMINIUM	1
2	PROCESS CONNECTION 1/2" NPT-F	SS316	1
3	CONNECTOR DOUBLE COMPRESSION TYPE 1/2" NPT-M - 1/2" OD	SS316	6
4	TUBING 1/2" OD	SS316	-
5	2-WAY BALL VALVE 1/2" NPT-F	SS316	1
6	2-WAY BLOCK & BLEED MANIFOLD	SS316	1
7	CONNECTOR DOUBLE COMPRESSION TYPE 1/4" NPT-F - 1/4" OD	SS316	1
8	TUBING 1/4" OD WITH CAP	SS316	-


TAG NO: PIT-71103 / PIT-71104 / PIT-71107

Pressure hook-up for gas and liquid services shall be segregated and specified in different pages, because of in gas services, pressure tapping shall be in 12 o'clock of pipe and in liquid services, pressure tapping shall be in 6 o'clock of pipe, also tapping orientation shall be specified in pressure hook-up with figure or as a note.

NO. OF INSTALLATIONS: 3

## PRESSURE TRANSMITTER



	SUBJECT	INSTRUMENT HOOK UP DRAWING FOR EMERGENCY INSTRUMENT AIR COMPRESSOR	DATE	15-11-2021	THIS DRAWING IS OWNED BY AIRPACK AND SHALL NOT BE PRINTED OR COPIED IN ANY OTHER WAY THAN WITH AIRPACKS PERMISSION 01 11-02-2022 VZ 00 15-11-2021 VZ
	CLIENT	Bushehr Petrochemical Company (BUPC)	DRAWN BY	WZ	
	CLIENT REF	17811	CHECKED BY	KP	
	AIRPACK REF	17811-CDM	PLANT LOCATION	IRAN, DNSHORE	
			SCALE	-	
			DRAWING NO.	17811-38	MODIFICATIONS
					SHEET
					04/10

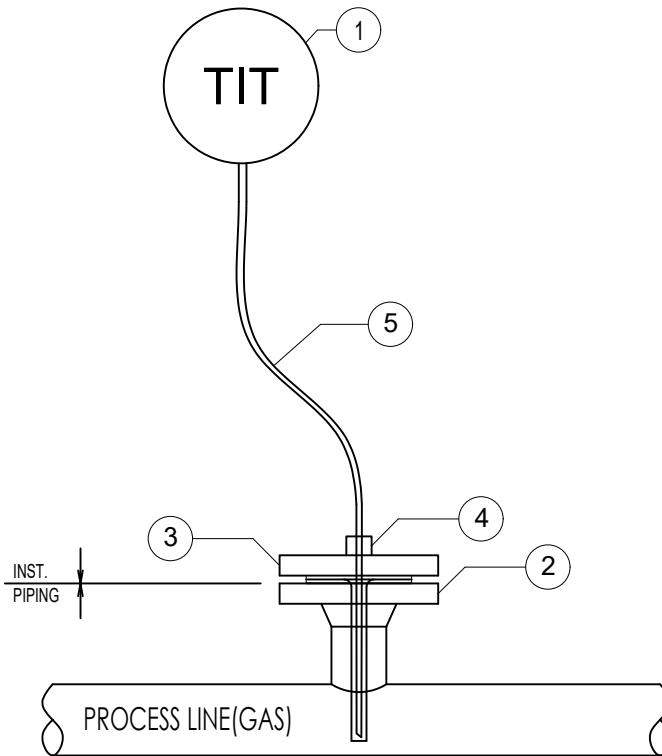
**BILL OF MATERIALS**


ITEM NO:	DESCRIPTION	MATERIAL	Q'TY
1	TEMPERATURE TRANSMITTER	ALUMINIUM	1
2	PROCESS CONNECTION 1 1/2" ANSI 300# RF	SS316	1
3	THERMOWELL 1 1/2" ANSI 300# RF	SS316	1
4	CONNECTOR DOUBLE COMPRESSION FITTING 1/2" NPT-M - 6 MM OD	SS316	1
5	CAPILARY, L=5M MOULDED TO TEMPERATURE ELEMENT	SS316	1

TAG NO: TIT-71101 / TIT-71102

NO. OF INSTALLATIONS: 2

## TEMPERATURE TRANSMITTER



	SUBJECT		INSTRUMENT HOOK UP DRAWING FOR EMERGENCY INSTRUMENT AIR COMPRESSOR	DATE	15-11-2021	THIS DRAWING IS OWNED BY AIRPACK AND SHALL NOT BE PRINTED OR COPIED IN ANY OTHER WAY THAN WITH AIRPACKS PERMISSION 01 11-02-2022 VZ 00 15-11-2021 VZ
	CLIENT	Bushehr Petrochemical Company (BUPC)	PLANT LOCATION	IRAN, DNSHORE		
	CLIENT REF	17811	SCALE	-		
	AIRPACK REF	17811-COM	DRAWING NO.	17811-38		
		MODIFICATIONS		SHEET	05/10	

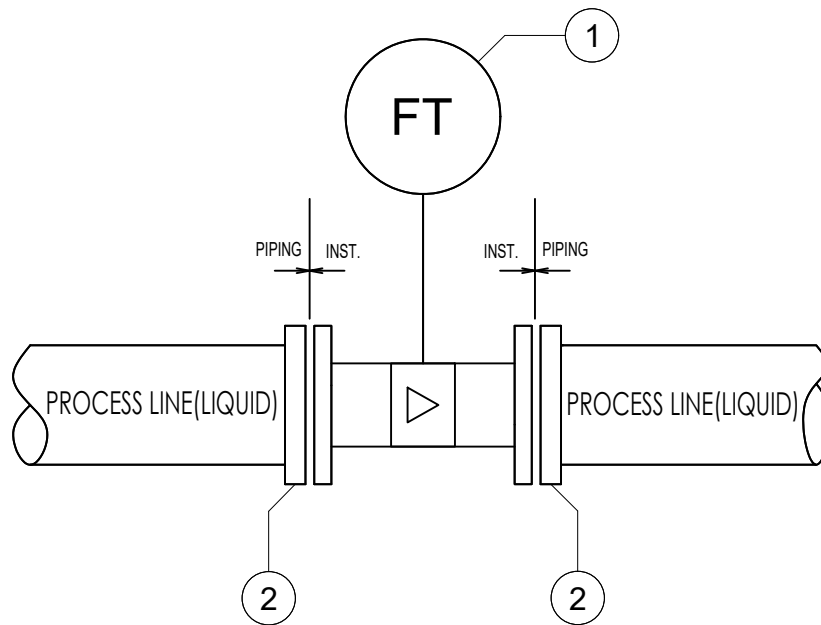
**BILL OF MATERIALS**


ITEM NO:	DESCRIPTION	MATERIAL	Q'TY
1	VORTEX FLOW TRANSMITTER	ALUMINIUM	1
2	PROCESS CONNECTION 1 1/2" ANSI 150# RF	SS 316	2

TAG NO: FT-71101

NO. OF INSTALLATIONS: 1

## FLOW TRANSMITTER



	SUBJECT	INSTRUMENT HOOK UP DRAWING FOR EMERGENCY INSTRUMENT AIR COMPRESSOR	DATE	15-11-2021	THIS DRAWING IS OWNED BY AIRPACK AND SHALL NOT BE PRINTED OR COPIED IN ANY OTHER WAY THAN WITH AIRPACKS PERMISSION 01 11-02-2022 VZ 00 15-11-2021 VZ
	CLIENT	Bushehr Petrochemical Company (BUPC)	DRAWN BY	WZ	
	CLIENT REF	17811	CHECKED BY	KP	
	AIRPACK REF	17811-COM	PLANT LOCATION	IRAN, DNSHORE	
			SCALE	-	
			DRAWING NO.	17811-38	MODIFICATIONS
					SHEET
					06/10

BILL OF MATERIALS

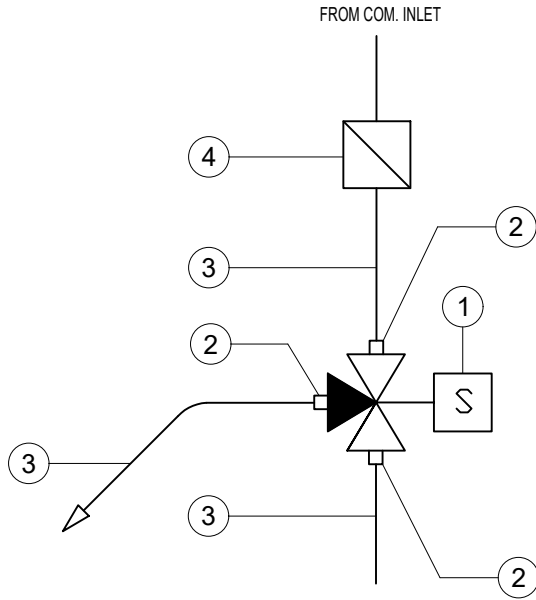
ITEM NO:	DESCRIPTION	MATERIAL	Q'TY
1	3-WAY SOLENOID VALVE	SS 316	1
2	CONNECTOR DOUBLE COMPRESSION TYPE 1/4" NPT-M - 1/4" OD	SS 316	3
3	TUBING 1/4" OD	SS 316	-
4	AIR INLET FILTER	SS 316	1


Filter/Regulator

TAG NO: XY-71101

NO. OF INSTALLATIONS: 1

SOLENOID VALVE



	SUBJECT	INSTRUMENT HOOK UP DRAWING FOR EMERGENCY INSTRUMENT AIR COMPRESSOR	DATE	15-11-2021	THIS DRAWING IS OWNED BY AIRPACK AND SHALL NOT BE PRINTED OR COPIED IN ANY OTHER WAY THAN WITH AIRPACKS PERMISSION 01 11-02-2022 VZ 00 15-11-2021 VZ
	CLIENT	Bushehr Petrochemical Company (BUPC)	CHECKED BY	KP	
	CLIENT REF	17811	PLANT LOCATION	IRAN, DNSHORE	
	AIRPACK REF	17811-COM	SCALE	-	
			DRAWING NO.	17811-38	
		MODIFICATIONS		SHEET	07/10

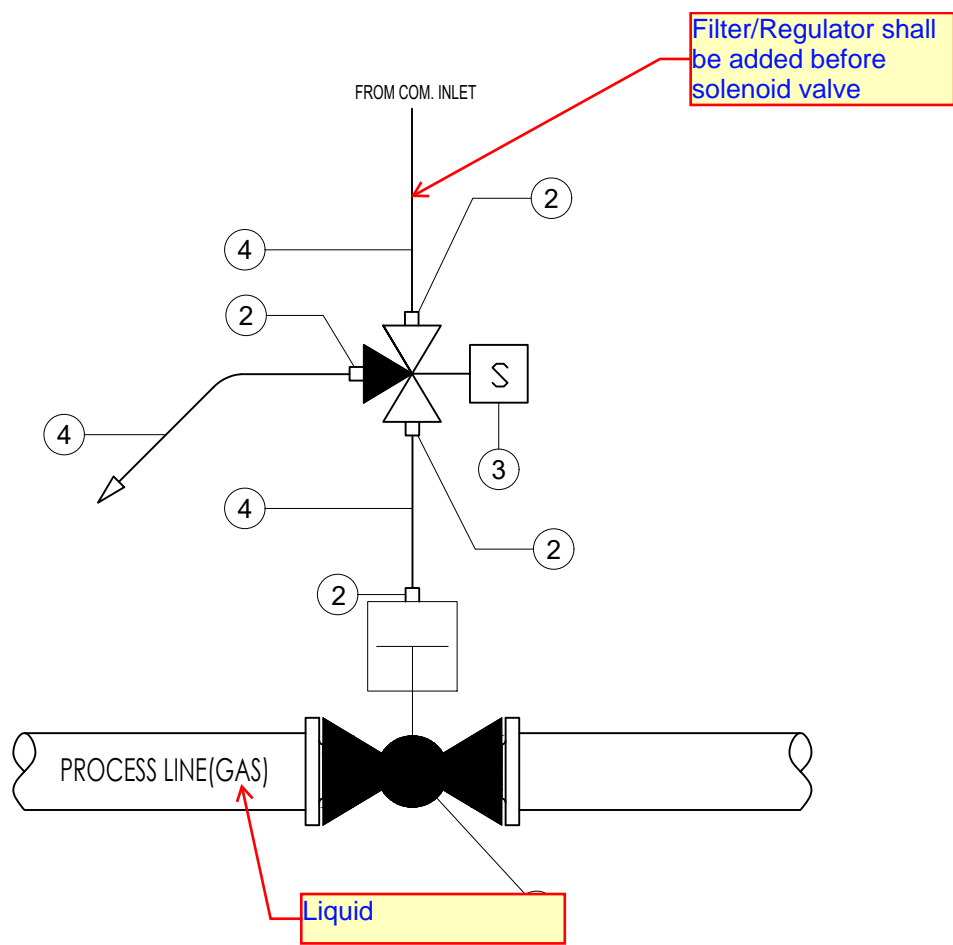
BILL OF MATERIALS


ITEM NO:	DESCRIPTION	MATERIAL	Q'TY
1	2-WAY BALL VALVE 1 1/2" ANSI 150# RF	SS 316	1
2	CONNECTOR DOUBLE COMPRESSION TYPE 1/4" NPT-M - 1/4" OD	SS 316	4
3	3-WAY SOLENOID VALVE	SS 316	1
4	TUBING 1/4" OD	SS 316	-

TAG NO: XV-71102  
XY-71102

NO. OF INSTALLATIONS: 1

PNEUMATIC OPERATED BALL VALVE



	SUBJECT		INSTRUMENT HOOK UP DRAWING FOR EMERGENCY INSTRUMENT AIR COMPRESSOR	DATE	15-11-2021	THIS DRAWING IS OWNED BY AIRPACK AND SHALL NOT BE PRINTED OR COPIED IN ANY OTHER WAY THAN WITH AIRPACKS PERMISSION 01 11-02-2022 VZ 00 15-11-2021 VZ
	CLIENT	Bushehr Petrochemical Company (BUPC)	PLANT LOCATION	IRAN, DNSHORE		
	CLIENT REF	17811	SCALE	-		
	AIRPACK REF	17811-COM	DRAWING NO.	17811-38		
		MODIFICATIONS		SHEET		08/10

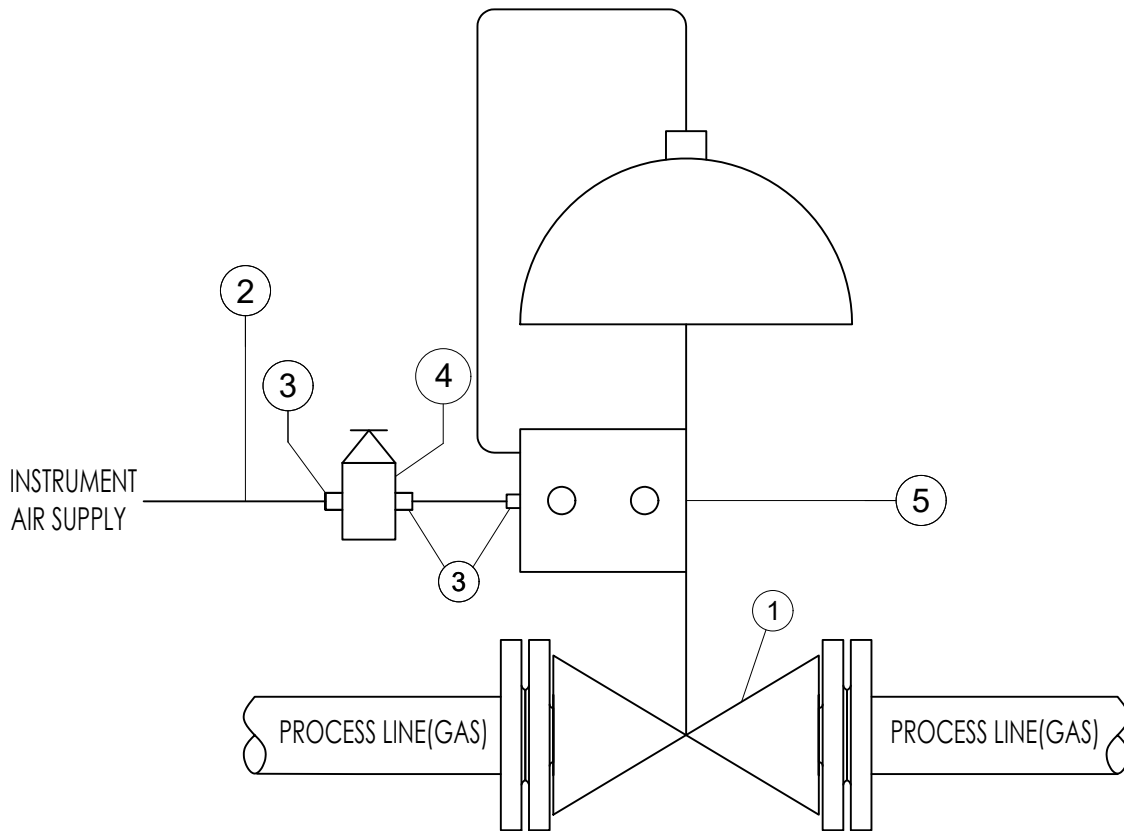
BILL OF MATERIALS


ITEM NO:	DESCRIPTION	MATERIAL	Q'TY
1	PRESSURE RECYCLE VALVE 1" ANSI 300# RF	SS316	1
2	TUBING 1/4" OD	SS316	-
3	CONNECTOR DOUBLE COMPRESSION TYPE 1/4" NPT-M x 1/4" OD	SS316	3
4	FILTER REGULATOR	SS316	1
5	VALVE POSITIONER WITH INLET AND OUTLET GAUGE	SS316	1

TAG NO: PV-71101

NO. OF INSTALLATIONS: 1

PRESSURE RECYCLE VALVE



	SUBJECT		INSTRUMENT HOOK UP DRAWING FOR EMERGENCY INSTRUMENT AIR COMPRESSOR		DATE	15-11-2021	THIS DRAWING IS OWNED BY AIRPACK AND SHALL NOT BE PRINTED OR COPIED IN ANY OTHER WAY THAN WITH AIRPACKS PERMISSION 01 11-02-2022 VZ 00 15-11-2021 VZ
	CLIENT	Bushehr Petrochemical Company (BUPC)		PLANT LOCATION	IRAN, DNSHORE		
	CLIENT REF	17811		SCALE	-		
	AIRPACK REF	17811-COM		DRAWING NO.	17811-38		
				MODIFICATIONS	SHEET		09/10

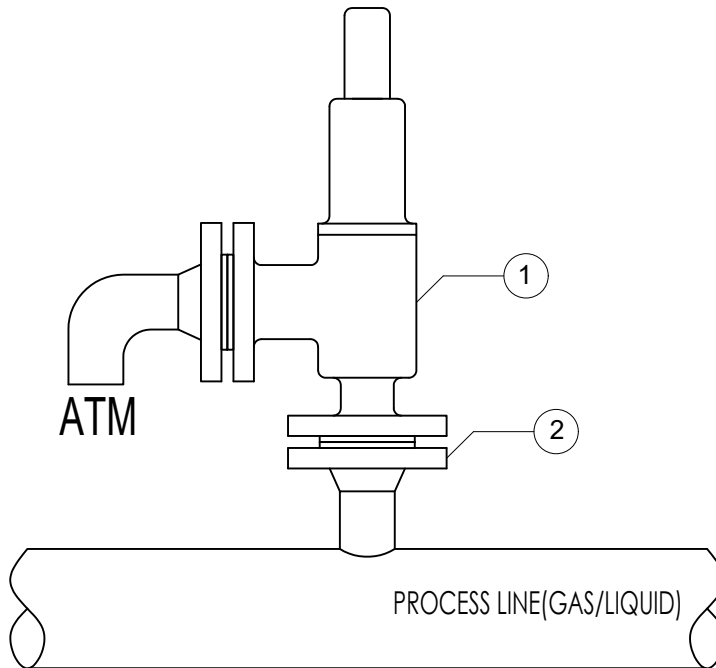
**BILL OF MATERIALS**


ITEM NO:	DESCRIPTION	MATERIAL	Q'TY
1	PRESSURE SAFETY VALVE 1" ANSI 300# RF / ... / VTA" ANSI 150# RF	SS 316	1
2	PROCESS CONNECTION 1" ANSI 150# RF	SS 316	1

TAG NO: PSV-71101 / PSV-71102

NO. OF INSTALLATIONS: 2

## PRESSURE SAFETY VALVE



	SUBJECT	INSTRUMENT HOOK UP DRAWING FOR EMERGENCY INSTRUMENT AIR COMPRESSOR	DATE	15-11-2021	THIS DRAWING IS OWNED BY AIRPACK AND SHALL NOT BE PRINTED OR COPIED IN ANY OTHER WAY THAN WITH AIRPACKS PERMISSION 01 11-02-2022 VZ 00 15-11-2021 VZ
	CLIENT	Bushehr Petrochemical Company (BUPC)	PLANT LOCATION	IRAN, DNSHORE	
	CLIENT REF	17811	SCALE	-	
	AIRPACK REF	17811-COM	DRAWING NO.	17811-38	
			MODIFICATIONS	SHEET	10/10