







OWNER:  شرکت سست و سویی توهمه ایرانیان (سهامی عامه)	BUSHEHR PETROCHEMICAL COMPANY MEG PLANT						EPC CONTRACTOR:  Chagalesh-Enerchimi-Steam Joint Venture BUPC-MEG PLANT PROJECT		
	INSTRUMENT HOOK UP DRAWING FOR NITROGEN GAS BOOSTER								
MC :  شرکت سست و سویی توهمه ایرانیان (سهامی عامه)	Project	Area	Phase	Unit	Dis.	Doc.	Seq.	Contract No : 52-98/445	
Owner Document Number: 17811-38A	BU	20	VD	303	IN	DWG	0033	Rev.:	Page
								03	1 of 14

INSTRUMENT HOOK UP DRAWING FOR NITROGEN GAS BOOSTER

 شرکت سست و سویی توهمه ایرانیان (سهامی عامه)	 Chagalesh-Enerchimi-Steam Joint Venture BUPC-MEG PLANT PROJECT	BUSHEHR PETROCHEMICAL COMPANY MEG PLANT
Document Review		
Issue Purpose:	IFA	
Result Code: AP,AN,CM,RE,NC	AN	
Next Status : IFC,IFA,IFI,AFC,AB	AFC	
Responsible Department	MECHANICAL	
Commented Date	Apr/ 17/2022	
Approval or review hereunder shall not be construed to relieve Vendor / Subcontractor of his responsibilities and liability under the contract.		

03	06/04/2022	For approval	WZ	KP	LdM	
02	14/02/2022	For approval	WZ	KP	LdM	
01	16/11/2021	For approval	WZ	KP	LdM	
00	08/12/2020	For approval	WZ	KP	LdM	
Rev.	Date	Purpose of Issue	Prepared	Checked	Approved	AC Code
					Class: 1	Phase: P

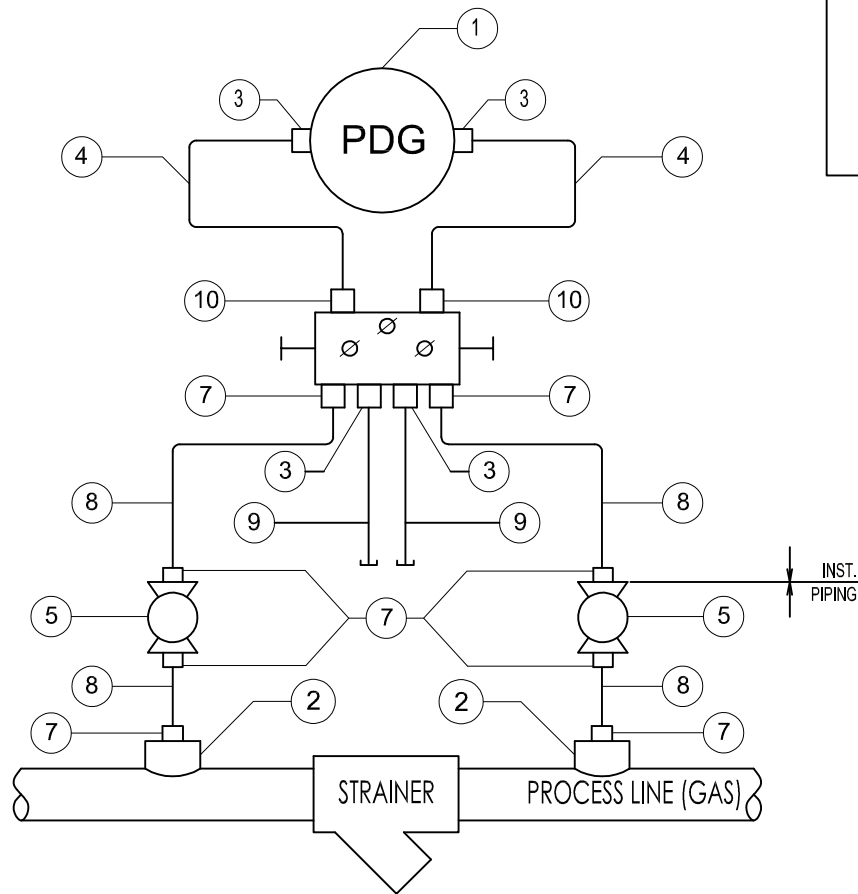
BILL OF MATERIALS

ITEM NO:	DESCRIPTION	MATERIAL	Q'TY
1	PRESSURE DIFFERENTIAL GAUGE	SS316	1
2	PROCESS CONNECTION 1/2" NPT-F	SS316	2
3	CONNECTOR DOUBLE COMPRESSION TYPE 1/4" NPT-M - 1/4" OD	SS316	4
4	TUBING 1/4" OD	SS316	-
5	2-WAY BALL VALVE 1/2" NPT-F	SS316	2
6	5-WAY BLOCK & BLEED MANIFOLD	SS316	1
7	CONNECTOR DOUBLE COMPRESSION TYPE 1/2" NPT-M - 1/2" OD	SS316	8
8	TUBING 1/2" OD	SS316	-
9	TUBING 1/4" OD WITH CAP	SS316	-
10	CONNECTOR DOUBLE COMPRESSION TYPE 1/2" NPT-M - 1/4" OD	SS316	2

TAG NO: PDG-10151

NO. OF INSTALLATIONS: 1

PRESSURE DIFFERENTIAL GAUGE



SUBJECT	INSTRUMENT HOOK UP DRAWING FOR NITROGEN COMPRESSOR		DATE	07-12-2020	THIS DRAWING IS OWNED BY AIRPACK AND SHALL NOT BE PRINTED OR COPIED IN ANY OTHER WAY THAN WITH AIRPACKS PERMISSION	
	CLIENT	Bushehr Petrochemical Company (BUPC)	DRAWN BY	WZ		
CLIENT REF	17811	PLANT LOCATION	IRAN, ONSHORE	CHECKED BY	KP	
AIRPACK REF	17811-COM	SCALE	-	03	05-04-2022	WZ
		DRAWING NO.	17811-38	02	11-02-2022	WZ
				01	15-11-2021	WZ
				00	07-12-2020	WZ
		MODIFICATIONS				
		SHEET				01/12

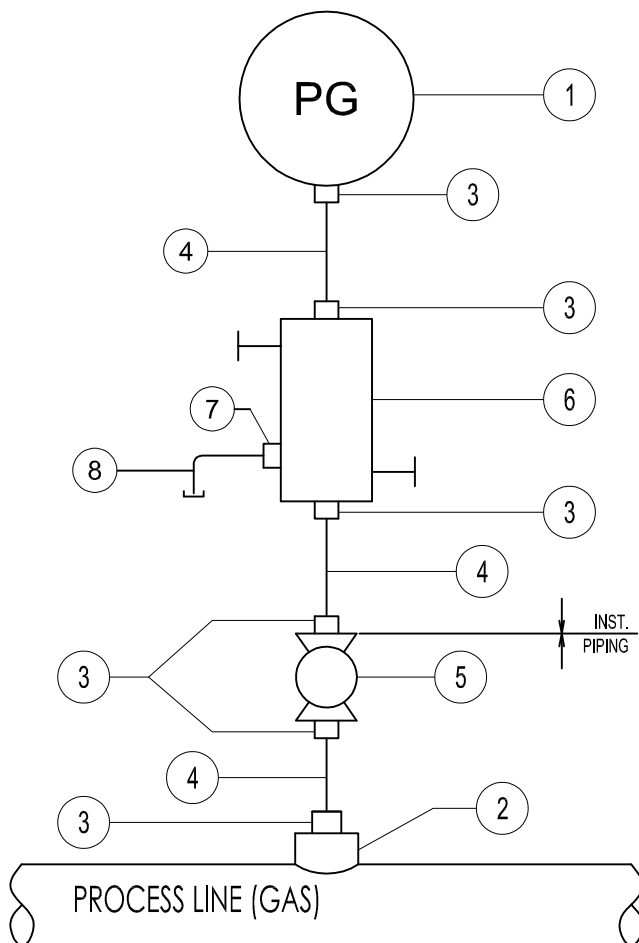
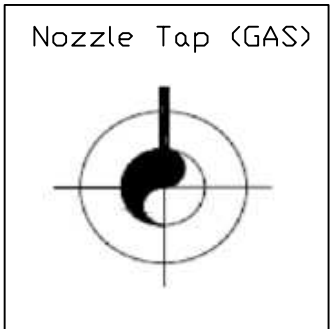
BILL OF MATERIALS

ITEM NO:	DESCRIPTION	MATERIAL	Q'TY
1	PRESSURE GAUGE	SS316	1
2	PROCESS CONNECTION 1/2" NPT-F	SS316	1
3	CONNECTOR DOUBLE COMPRESSION TYPE 1/2" NPT-M - 1/2" OD	SS316	6
4	TUBING 1/2" OD	SS316	-
5	2-WAY BALL VALVE 1/2" NPT-F	SS316	1
6	2-WAY BLOCK & BLEED MANIFOLD	SS316	1
7	CONNECTOR DOUBLE COMPRESSION TYPE 1/4" NPT-F - 1/4" OD	SS316	1
8	TUBING 1/4" OD WITH CAP	SS316	-

TAG NO: PG-10152 / PG-10155 / PG-10161

NO. OF INSTALLATIONS: 3

PRESSURE GAUGE



SUBJECT		INSTRUMENT HOOK UP DRAWING FOR NITROGEN COMPRESSOR		DATE	07-12-2020	THIS DRAWING IS OWNED BY AIRPACK AND SHALL NOT BE PRINTED OR COPIED IN ANY OTHER WAY THAN WITH AIRPACKS PERMISSION			
CLIENT		Bushehr Petrochemical Company (BUPC)		DRAWN BY	WZ		03	05-04-2022	WZ
CLIENT REF		17811		CHECKED BY	KP		02	11-02-2022	WZ
AIRPACK REF		17811-COM		PLANT LOCATION	IRAN, ONSHORE		01	15-11-2021	WZ
				SCALE	-	00	07-12-2020	WZ	
				DRAWING NO.	17811-38	MODIFICATIONS		SHEET	02/12

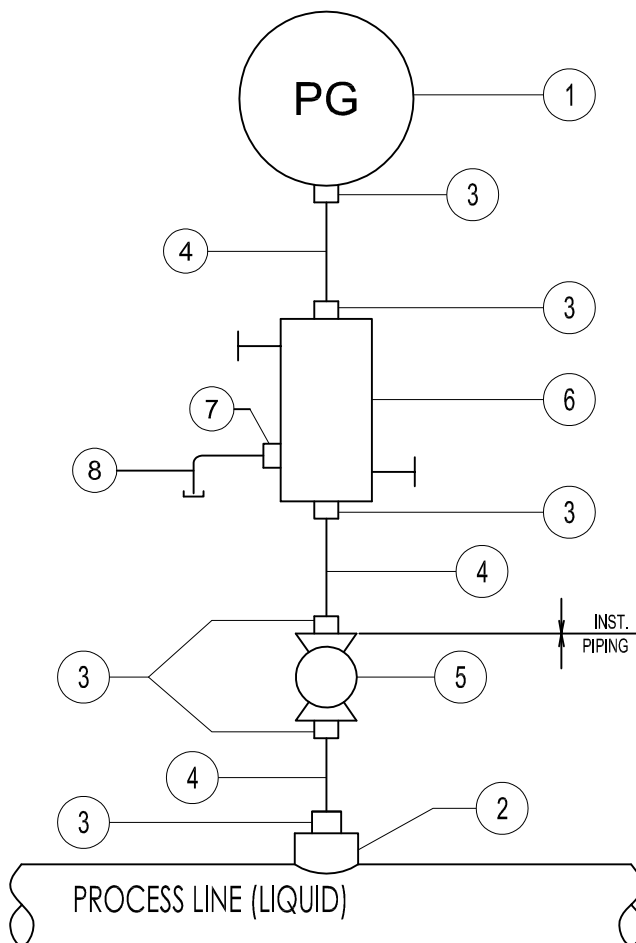
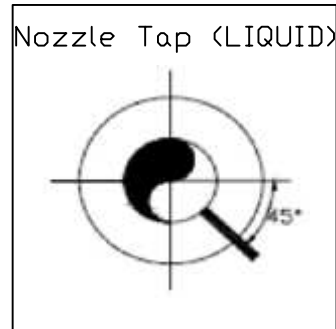
BILL OF MATERIALS

ITEM NO:	DESCRIPTION	MATERIAL	Q'TY
1	PRESSURE GAUGE	SS316	1
2	PROCESS CONNECTION 1/2" NPT-F	SS316	1
3	CONNECTOR DOUBLE COMPRESSION TYPE 1/2" NPT-M - 1/2" OD	SS316	6
4	TUBING 1/2" OD	SS316	-
5	2-WAY BALL VALVE 1/2" NPT-F	SS316	1
6	2-WAY BLOCK & BLEED MANIFOLD	SS316	1
7	CONNECTOR DOUBLE COMPRESSION TYPE 1/4" NPT-F - 1/4" OD	SS316	1
8	TUBING 1/4" OD WITH CAP	SS316	-

TAG NO: PG-10160

NO. OF INSTALLATIONS: 1

PRESSURE GAUGE



	SUBJECT		INSTRUMENT HOOK UP DRAWING FOR NITROGEN COMPRESSOR		DATE	07-12-2020	THIS DRAWING IS OWNED BY AIRPACK AND SHALL NOT BE PRINTED OR COPIED IN ANY OTHER WAY THAN WITH AIRPACKS PERMISSION 03 05-04-2022 VZ 02 11-02-2022 VZ 01 15-11-2021 VZ 00 07-12-2020 VZ
	CLIENT	Bushehr Petrochemical Company (BUPC)	PLANT LOCATION	IRAN, ONSHORE	DRAWN BY	WZ	
	CLIENT REF	17811	SCALE	-	CHECKED BY	KP	
	AIRPACK REF	17811-COM	DRAWING NO.	17811-38	MODIFICATIONS		
							SHEET 03/12

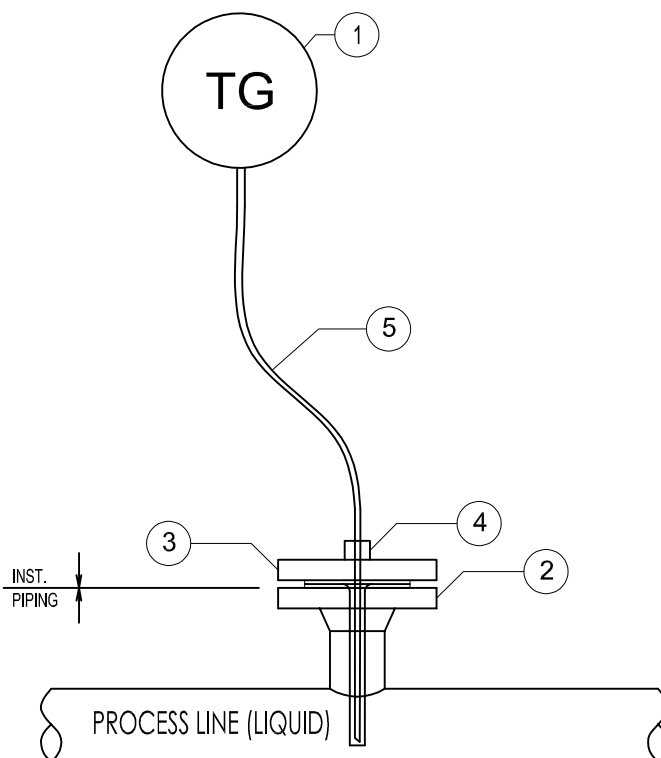
BILL OF MATERIALS


ITEM NO:	DESCRIPTION	MATERIAL	Q'TY
1	TEMPERATURE GAUGE	SS316	1
2	PROCESS CONNECTION 1 1/2" ANSI 300# RF	SS316	1
3	THERMOWELL 1 1/2" ANSI 300# RF	SS316	1
4	CONNECTOR DOUBLE COMPRESSION FITTING 1/2" NPT-M - 6 MM OD	SS316	1
5	CAPILARY, L=5M MOULDED TO TEMPERATURE ELEMENT	SS316	1

TAG NO: TG-10156 / TG-10157 / TG-10158

NO. OF INSTALLATIONS: 3

TEMPERATURE GAUGE



	SUBJECT	INSTRUMENT HOOK UP DRAWING FOR NITROGEN COMPRESSOR	DATE	07-12-2020	THIS DRAWING IS OWNED BY AIRPACK AND SHALL NOT BE PRINTED OR COPIED IN ANY OTHER WAY THAN WITH AIRPACKS PERMISSION 03 05-04-2022 VZ 02 11-02-2022 VZ 01 15-11-2021 VZ 00 07-12-2020 VZ
	CLIENT	Bushehr Petrochemical Company (BUPC)	CHECKED BY	KP	
	CLIENT REF	17811	PLANT LOCATION	IRAN, ONSHORE	
	AIRPACK REF	17811-COM	SCALE	-	
			DRAWING NO.	17811-38	
		MODIFICATIONS		SHEET	04/12

BILL OF MATERIALS

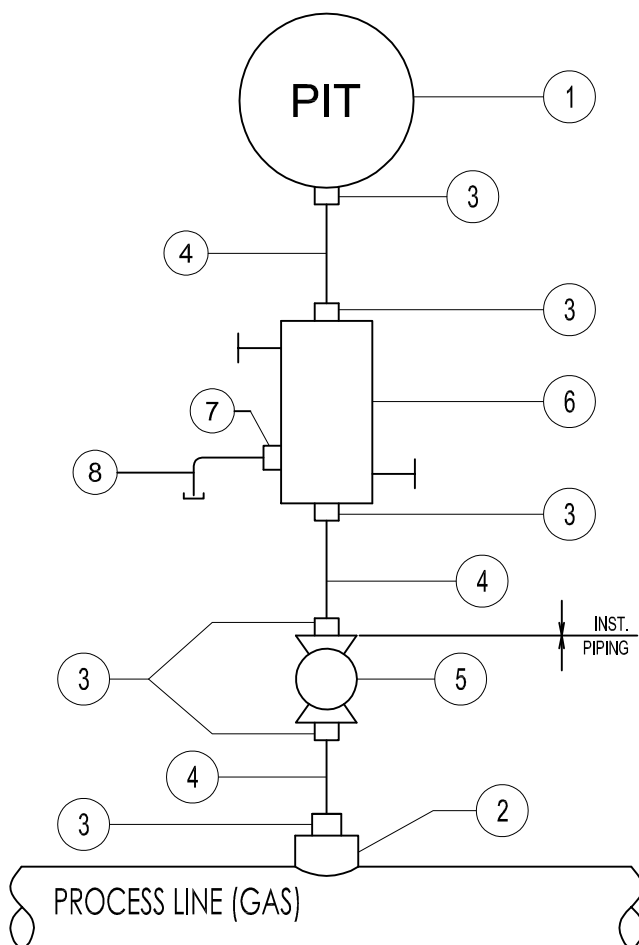
ITEM NO:	DESCRIPTION	MATERIAL	Q'TY
1	PRESSURE TRANSMITTER	ALUMINIUM	1
2	PROCESS CONNECTION 1/2" NPT-F	SS316	1
3	CONNECTOR DOUBLE COMPRESSION TYPE 1/2" NPT-M - 1/2" OD	SS316	6
4	TUBING 1/2" OD	SS316	-
5	2-WAY BALL VALVE 1/2" NPT-F	SS316	1
6	2-WAY BLOCK & BLEED MANIFOLD	SS316	1
7	CONNECTOR DOUBLE COMPRESSION TYPE 1/4" NPT-F - 1/4" OD	SS316	1
8	TUBING 1/4" OD WITH CAP	SS316	-

TAG NO: PIT-10153 / PIT-10156 / PIT-10157 / PIT-10158 / PIT-10159

5

NO. OF INSTALLATIONS: 6

PRESSURE TRANSMITTER



SUBJECT		INSTRUMENT HOOK UP DRAWING FOR NITROGEN COMPRESSOR		DATE	07-12-2020	THIS DRAWING IS OWNED BY AIRPACK AND SHALL NOT BE PRINTED OR COPIED IN ANY OTHER WAY THAN WITH AIRPACKS PERMISSION			
CLIENT		Bushehr Petrochemical Company (BUPC)		DRAWN BY	WZ		03	05-04-2022	WZ
CLIENT REF		17811		CHECKED BY	KP		02	11-02-2022	WZ
AIRPACK REF		17811-COM		PLANT LOCATION	IRAN, ONSHORE		01	15-11-2021	WZ
				SCALE	-	00	07-12-2020	WZ	
				DRAWING NO.	17811-38	MODIFICATIONS	SHEET	05/12	

BILL OF MATERIALS

ITEM NO:	DESCRIPTION	MATERIAL	Q'TY
1	PRESSURE TRANSMITTER	ALUMINIUM	1
2	PROCESS CONNECTION 1/2" NPT-F	SS316	1
3	CONNECTOR DOUBLE COMPRESSION TYPE 1/2" NPT-M - 1/2" OD	SS316	6
4	TUBING 1/2" OD	SS316	-
5	2-WAY BALL VALVE 1/2" NPT-F	SS316	1
6	2-WAY BLOCK & BLEED MANIFOLD	SS316	1
7	CONNECTOR DOUBLE COMPRESSION TYPE 1/4" NPT-F - 1/4" OD	SS316	1
8	TUBING 1/4" OD WITH CAP	SS316	-

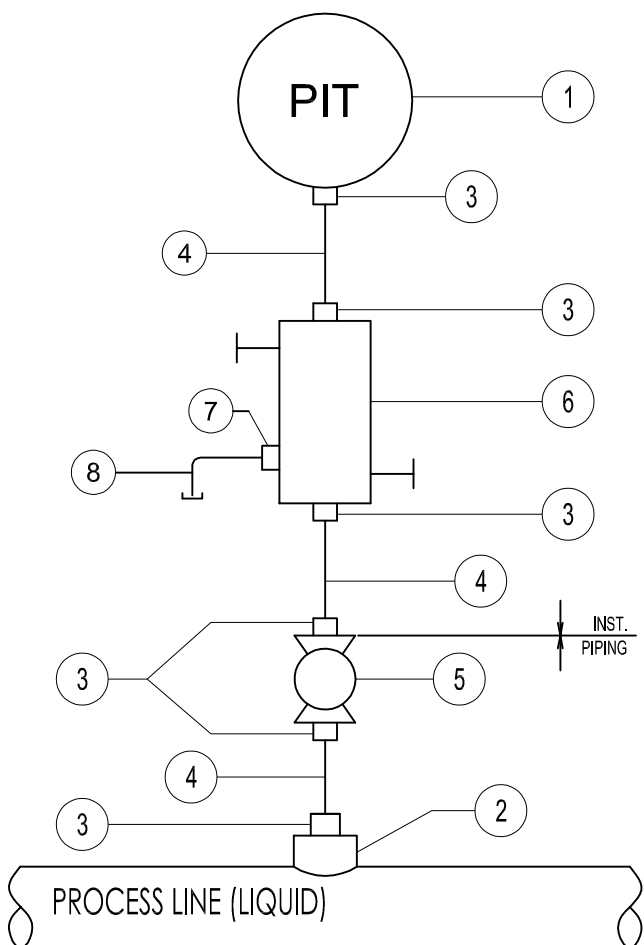
TAG NO: PIT-10154

1

Tapping orientation shall be specified

NO. OF INSTALLATIONS: 6

PRESSURE TRANSMITTER



SUBJECT	INSTRUMENT HOOK UP DRAWING FOR NITROGEN COMPRESSOR	DATE	07-12-2020	THIS DRAWING IS OWNED BY AIRPACK AND SHALL NOT BE PRINTED OR COPIED IN ANY OTHER WAY THAN WITH AIRPACKS PERMISSION			
		DRAWN BY	WZ		03	05-04-2022	VZ
CLIENT	Bushehr Petrochemical Company (BUPC)	CHECKED BY	KP		02	11-02-2022	VZ
CLIENT REF	17811	PLANT LOCATION	IRAN, ONSHORE		01	15-11-2021	VZ
AIRPACK REF	17811-COM	SCALE	-		00	07-12-2020	VZ
		DRAWING NO.	17811-38	MODIFICATIONS			
					SHEET		06/12

BILL OF MATERIALS

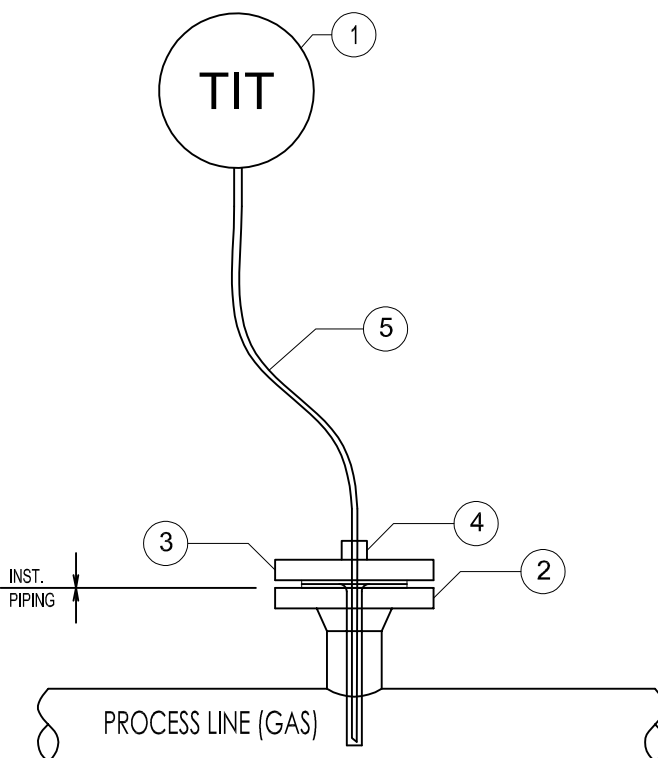
ITEM NO:	DESCRIPTION	MATERIAL	Q'TY
1	TEMPERATURE TRANSMITTER	ALUMINIUM	1
2	PROCESS CONNECTION 1 1/2" ANSI 300# RF	SS316	1
3	THERMOWELL 1 1/2" ANSI 300# RF	SS316	1
4	CONNECTOR DOUBLE COMPRESSION FITTING 1/2" NPT-M - 6 MM OD	SS316	1
5	CAPILARY, L=5M MOULDED TO TEMPERATURE ELEMENT	SS316	1


TAG NO: TIT-10151 / TIT-10152 / TIT-10153 / TIT-10154 / TIT-10155

5

NO. OF INSTALLATIONS: 4

TEMPERATURE TRANSMITTER



	SUBJECT	INSTRUMENT HOOK UP DRAWING FOR NITROGEN COMPRESSOR	DATE	07-12-2020	THIS DRAWING IS OWNED BY AIRPACK AND SHALL NOT BE PRINTED OR COPIED IN ANY OTHER WAY THAN WITH AIRPACKS PERMISSION 03 05-04-2022 VZ 02 11-02-2022 VZ 01 15-11-2021 VZ 00 07-12-2020 VZ
	CLIENT	Bushehr Petrochemical Company (BUPC)	CHECKED BY	KP	
	CLIENT REF	17811	PLANT LOCATION	IRAN, ONSHORE	
	AIRPACK REF	17811-COM	SCALE	-	
			DRAWING NO.	17811-38	
		MODIFICATIONS		SHEET	07/12

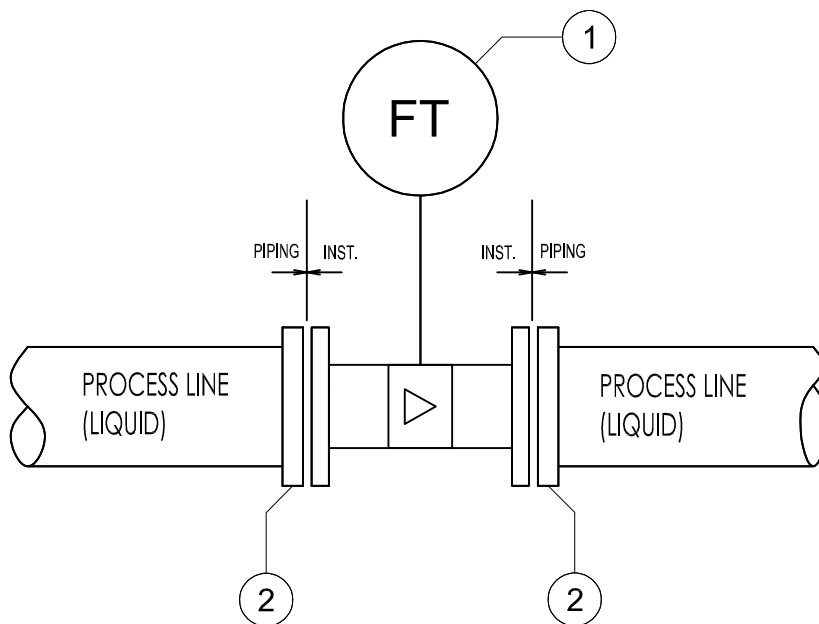
BILL OF MATERIALS


ITEM NO:	DESCRIPTION	MATERIAL	Q'TY
1	VORTEX FLOW TRANSMITTER	ALUMINIUM	1
2	PROCESS CONNECTION 1 1/2" ANSI 150# RF	SS 316	2

TAG NO: FT-10151

NO. OF INSTALLATIONS: 1

FLOW TRANSMITTER



	SUBJECT		INSTRUMENT HOOK UP DRAWING FOR NITROGEN COMPRESSOR		DATE	07-12-2020	THIS DRAWING IS OWNED BY AIRPACK AND SHALL NOT BE PRINTED OR COPIED IN ANY OTHER WAY THAN WITH AIRPACKS PERMISSION					
	CLIENT	Bushehr Petrochemical Company (BUPC)		PLANT LOCATION	IRAN, ONSHORE			03	05-04-2022	VZ		
	CLIENT REF	17811		SCALE	-			02	11-02-2022	VZ		
	AIRPACK REF	17811-COM		DRAWING NO.	17811-38			01	15-11-2021	VZ		
							00	07-12-2020	VZ	MODIFICATIONS	SHEET	08/12

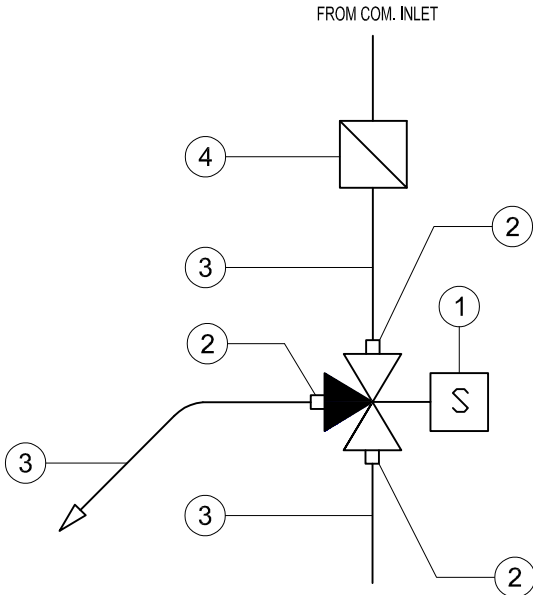
BILL OF MATERIALS

ITEM NO:	DESCRIPTION	MATERIAL	Q'TY
1	3-WAY SOLENOID VALVE	SS 316	1
2	CONNECTOR DOUBLE COMPRESSION TYPE 1/4" NPT-M - 1/4" OD	SS 316	3
3	TUBING 1/4" OD	SS 316	-
4	AIR INLET FILTER/REGULATOR	SS 316	1

TAG NO: XY-10151

NO. OF INSTALLATIONS: 1

SOLENOID VALVE

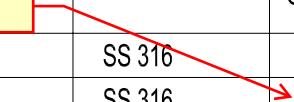


SUBJECT	INSTRUMENT HOOK UP DRAWING FOR NITROGEN COMPRESSOR	DATE	07-12-2020	THIS DRAWING IS OWNED BY AIRPACK AND SHALL NOT BE PRINTED OR COPIED IN ANY OTHER WAY THAN WITH AIRPACKS PERMISSION			
		DRAWN BY	WZ		03	05-04-2022	WZ
CLIENT	Bushehr Petrochemical Company (BUPC)	CHECKED BY	KP	02	11-02-2022	WZ	
CLIENT REF	17811	PLANT LOCATION	IRAN, ONSHORE	01	15-11-2021	WZ	
AIRPACK REF	17811-COM	SCALE	-	00	07-12-2020	WZ	
		DRAWING NO.	17811-38	MODIFICATIONS			
					SHEET		09/12

BILL OF MATERIALS

ITEM NO:	DESCRIPTION	MATERIAL	Q'TY
1	2-WAY BALL VALVE 1 1/2" ANSI 150# RF	SS 316	1
2	CONNECTOR DOUBLE COMPRESSION TYPE 1/4" NPT-M - 1/4" OD	SS 316	4
3	3-WAY SOLENOID VALVE	SS 316	1
4	TUBING 1/4" OD	SS 316	-
5	FILTER REGULATOR	SS316	1

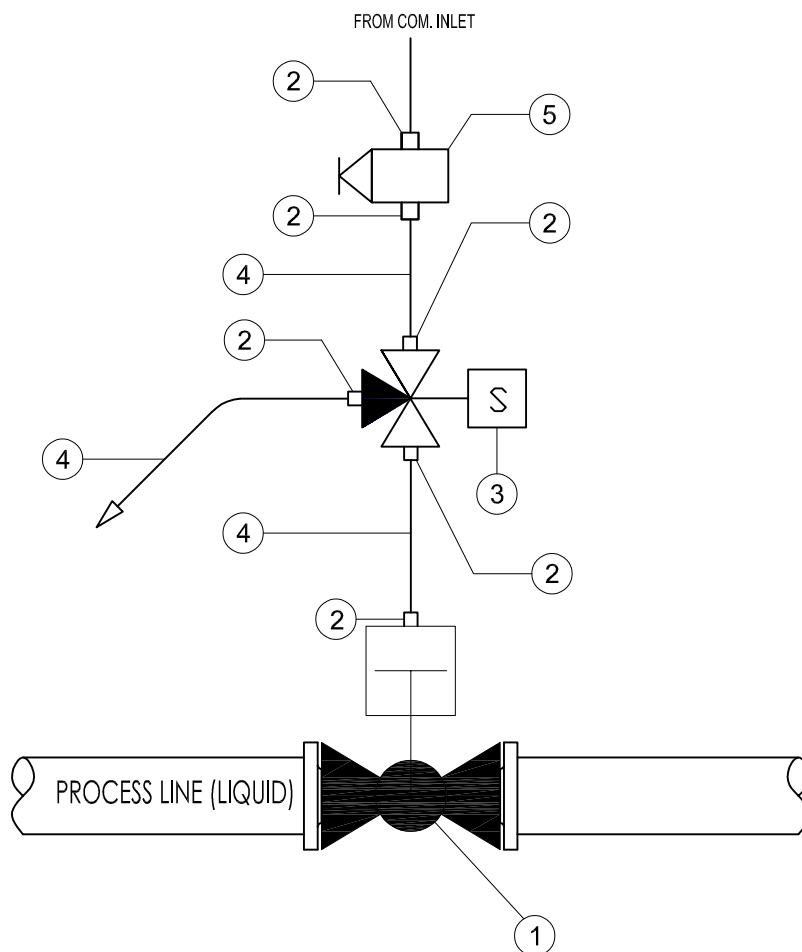
6



TAG NO: XV-10152
XY-10152

NO. OF INSTALLATIONS: 1

PNEUMATIC OPERATED BALL VALVE



	SUBJECT	INSTRUMENT HOOK UP DRAWING FOR NITROGEN COMPRESSOR	DATE	07-12-2020	THIS DRAWING IS OWNED BY AIRPACK AND SHALL NOT BE PRINTED OR COPIED IN ANY OTHER WAY THAN WITH AIRPACKS PERMISSION	
	CLIENT	Bushehr Petrochemical Company (BUPC)	DRAWN BY	WZ		
	CLIENT REF	17811	CHECKED BY	KP		
	AIRPACK REF	17811-COM	PLANT LOCATION	IRAN, ONSHORE		
			SCALE	-	03 05-04-2022 WZ	
			DRAWING NO.	17811-38	02 11-02-2022 WZ	
					01 15-11-2021 WZ	
					00 07-12-2020 WZ	
			MODIFICATIONS		SHEET	10/12

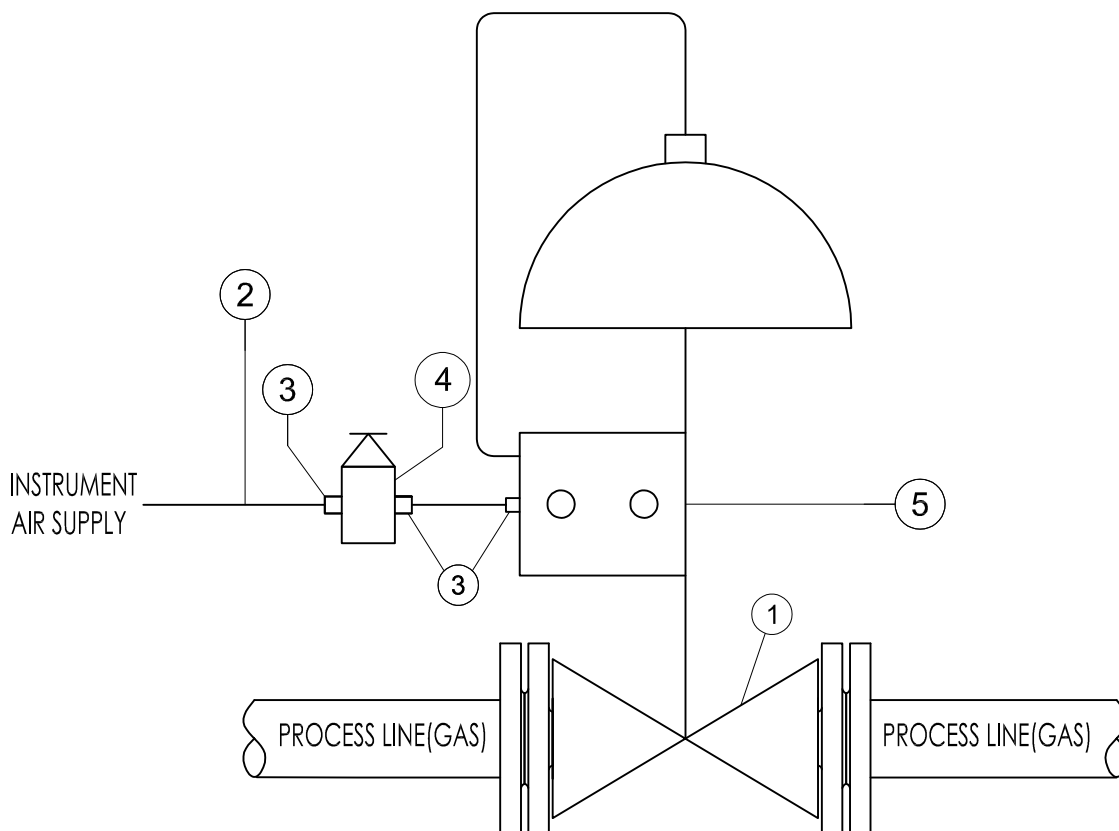
BILL OF MATERIALS


ITEM NO:	DESCRIPTION	MATERIAL	Q'TY
1	PRESSURE RECYCLE VALVE 1" ANSI 300# RF	SS316	1
2	TUBING 1/4" OD	SS316	-
3	CONNECTOR DOUBLE COMPRESSION TYPE 1/4" NPT-M x 1/4" OD	SS316	3
4	FILTER REGULATOR	SS316	1
5	VALVE POSITIONER WITH INLET AND OUTLET GAUGE	SS316	1

TAG NO: PV-10151

NO. OF INSTALLATIONS: 1

PRESSURE RECYCLE VALVE



	SUBJECT		INSTRUMENT HOOK UP DRAWING FOR NITROGEN COMPRESSOR		DATE	07-12-2020	THIS DRAWING IS OWNED BY AIRPACK AND SHALL NOT BE PRINTED OR COPIED IN ANY OTHER WAY THAN WITH AIRPACKS PERMISSION				
	CLIENT	Bushehr Petrochemical Company (BUPC)		PLANT LOCATION	IRAN, ONSHORE			03	05-04-2022	VZ	
	CLIENT REF	17811		SCALE	-			02	11-02-2022	VZ	
	AIRPACK REF	17811-COM		DRAWING NO.	17811-38			01	15-11-2021	VZ	
							00	07-12-2020	VZ		
							MODIFICATIONS	SHEET	11/12		

