







OWNER:  شرکت سست و سویی توهمه ایرانیان (سهامی عامه)	BUSHEHR PETROCHEMICAL COMPANY MEG PLANT							EPC CONTRACTOR:  Chagalesh-Enerchimi-Steam Joint Venture BUPC-MEG PLANT PROJECT	
	INSTRUMENT HOOK UP DRAWING FOR NITROGEN GAS BOOSTER								
MC :  شرکت سست و سویی توهمه ایرانیان (سهامی عامه)	Project	Area	Phase	Unit	Dis.	Doc.	Seq.	Contract No : 52-98/445	
Owner Document Number: 17811-38A	BU	20	VD	303	IN	DWG	0033	Rev.:	Page
								04	1 of 14

## INSTRUMENT HOOK UP DRAWING FOR NITROGEN GAS BOOSTER

 شرکت سست و سویی توهمه ایرانیان توسعه ایسروکسیان	 Chagalesh-Enerchimi-Steam Joint Venture BUPC-MEG PLANT PROJECT	BUSHEHR PETROCHEMICAL COMPANY MEG PLANT
<b>Document Review</b>		
Issue Purpose:	AFC	
Result Code: AP,AN,CM,RE,NC	AP	
Next Status : IFC,IFA,IFI,AFC,AB	-	
Responsible Department	MECHANICAL	
Commented Date	6/8/2022	
<b>Approval or review hereunder shall not be construed to relieve Vendor / Subcontractor of his responsibilities and liability under the contract.</b>		

04	17/05/2022	Approved for Construction	AZ	KP	LdM	
03	06/04/2022	For approval	WZ	KP	LdM	
02	14/02/2022	For approval	WZ	KP	LdM	
01	16/11/2021	For approval	WZ	KP	LdM	
00	08/12/2020	For approval	WZ	KP	LdM	
Rev.	Date	Purpose of Issue	Prepared	Checked	Approved	AC Code
					Class: 1	Phase: P





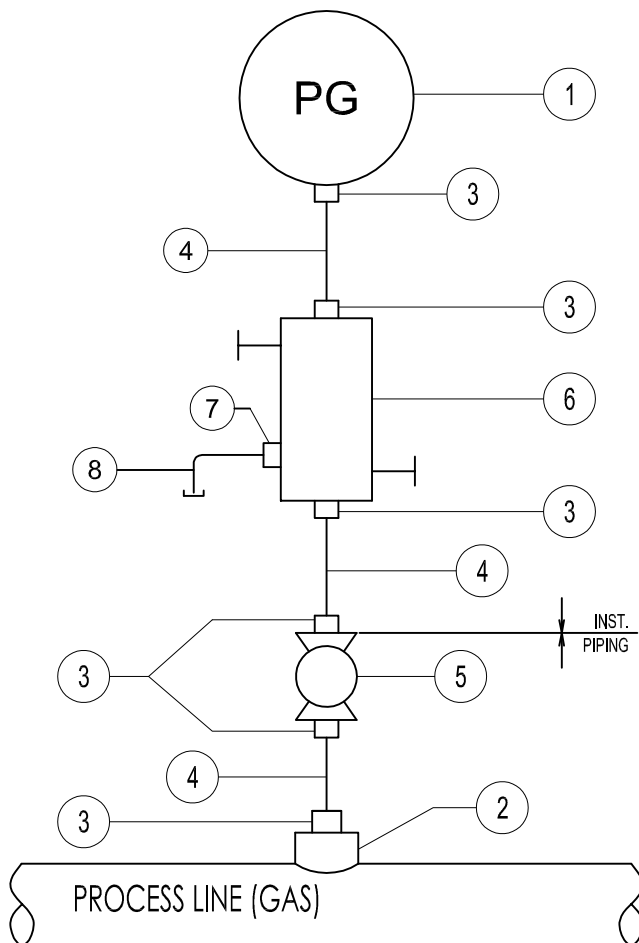
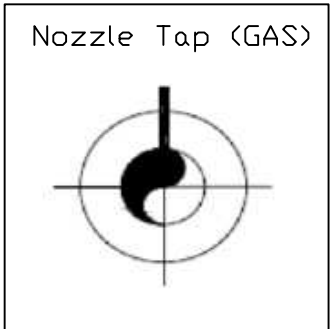
**BILL OF MATERIALS**

ITEM NO:	DESCRIPTION	MATERIAL	Q'TY
1	PRESSURE GAUGE	SS316	1
2	PROCESS CONNECTION 1/2" NPT-F	SS316	1
3	CONNECTOR DOUBLE COMPRESSION TYPE 1/2" NPT-M - 1/2" OD	SS316	6
4	TUBING 1/2" OD	SS316	-
5	2-WAY BALL VALVE 1/2" NPT-F	SS316	1
6	2-WAY BLOCK & BLEED MANIFOLD	SS316	1
7	CONNECTOR DOUBLE COMPRESSION TYPE 1/4" NPT-F - 1/4" OD	SS316	1
8	TUBING 1/4" OD WITH CAP	SS316	-

TAG NO: PG-10152 / PG-10155 / PG-10161

NO. OF INSTALLATIONS: 3

## PRESSURE GAUGE



	SUBJECT		INSTRUMENT HOOK UP DRAWING FOR NITROGEN COMPRESSOR		DATE	07-12-2020	THIS DRAWING IS OWNED BY AIRPACK AND SHALL NOT BE PRINTED OR COPIED IN ANY OTHER WAY THAN WITH AIRPACKS PERMISSION			
	CLIENT		Bushehr Petrochemical Company (BUPC)		DRAWN BY	WZ		03	05-04-2022	VZ
	CLIENT REF		17811		CHECKED BY	KP		02	11-02-2022	VZ
	AIRPACK REF		17811-CDM		PLANT LOCATION	IRAN, ONSHORE		01	15-11-2021	VZ
				SCALE	-	00	07-12-2020	VZ		
				DRAWING NO.	17811-38	MODIFICATIONS		SHEET	02/12	

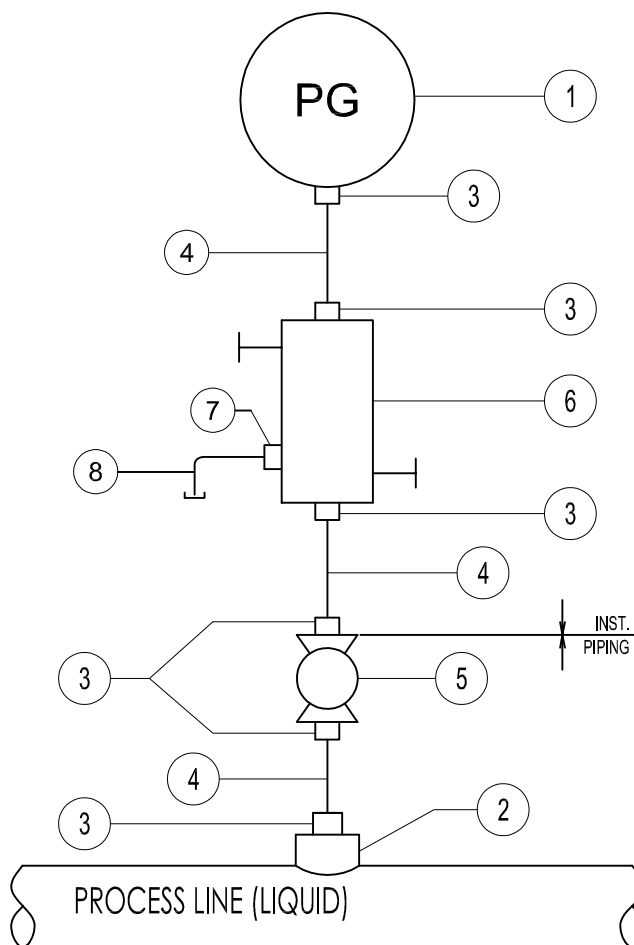
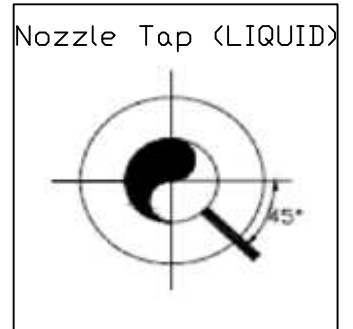
**BILL OF MATERIALS**

ITEM NO:	DESCRIPTION	MATERIAL	Q'TY
1	PRESSURE GAUGE	SS316	1
2	PROCESS CONNECTION 1/2" NPT-F	SS316	1
3	CONNECTOR DOUBLE COMPRESSION TYPE 1/2" NPT-M - 1/2" OD	SS316	6
4	TUBING 1/2" OD	SS316	-
5	2-WAY BALL VALVE 1/2" NPT-F	SS316	1
6	2-WAY BLOCK & BLEED MANIFOLD	SS316	1
7	CONNECTOR DOUBLE COMPRESSION TYPE 1/4" NPT-F - 1/4" OD	SS316	1
8	TUBING 1/4" OD WITH CAP	SS316	-

TAG NO: PG-10160

NO. OF INSTALLATIONS: 1

**PRESSURE GAUGE**



	SUBJECT		INSTRUMENT HOOK UP DRAWING FOR NITROGEN COMPRESSOR	DATE	07-12-2020	THIS DRAWING IS OWNED BY AIRPACK AND SHALL NOT BE PRINTED OR COPIED IN ANY OTHER WAY THAN WITH AIRPACKS PERMISSION			
	CLIENT		Bushehr Petrochemical Company (BUPC)	DRAWN BY	WZ		03	05-04-2022	VZ
	CLIENT REF		17811	CHECKED BY	KP		02	11-02-2022	VZ
	AIRPACK REF		17811-CDM	PLANT LOCATION	IRAN, ONSHORE		01	15-11-2021	VZ
				SCALE	-		00	07-12-2020	VZ
			DRAWING NO.	17811-38	MODIFICATIONS	SHEET		03/12	

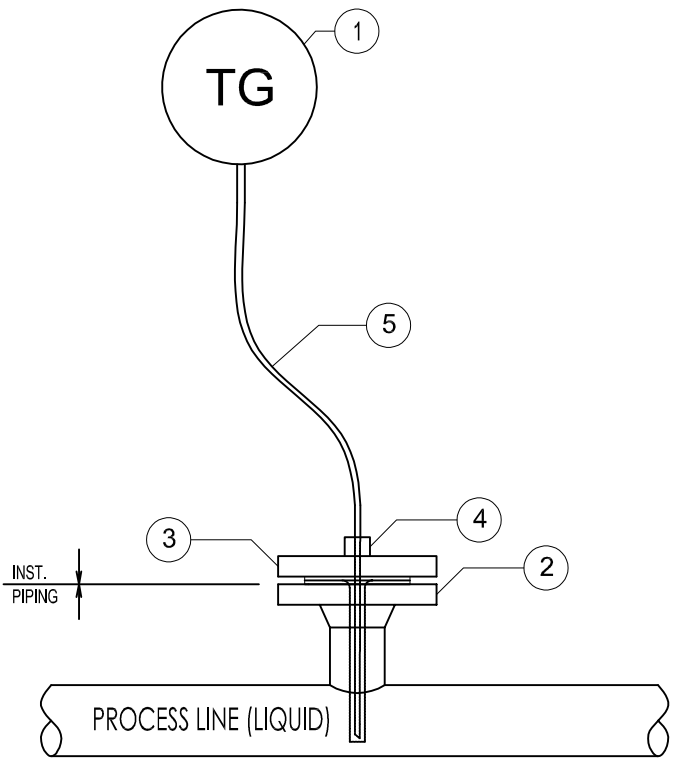
**BILL OF MATERIALS**

ITEM NO:	DESCRIPTION	MATERIAL	Q'TY
1	TEMPERATURE GAUGE	SS316	1
2	PROCESS CONNECTION 1 1/2" ANSI 300# RF	SS316	1
3	THERMOWELL 1 1/2" ANSI 300# RF	SS316	1
4	CONNECTOR DOUBLE COMPRESSION FITTING 1/2" NPT-M - 6 MM OD	SS316	1
5	CAPILARY, L=5M MOULDED TO TEMPERATURE ELEMENT	SS316	1

TAG NO: TG-10156 / TG-10157 / TG-10158

NO. OF INSTALLATIONS: 3

## TEMPERATURE GAUGE



SUBJECT		INSTRUMENT HOOK UP DRAWING FOR NITROGEN COMPRESSOR		DATE	07-12-2020	THIS DRAWING IS OWNED BY AIRPACK AND SHALL NOT BE PRINTED OR COPIED IN ANY OTHER WAY THAN WITH AIRPACKS PERMISSION			
CLIENT		Bushehr Petrochemical Company (BUPC)		DRAWN BY	WZ		03	05-04-2022	VZ
CLIENT REF		17811		CHECKED BY	KP		02	11-02-2022	VZ
AIRPACK REF		17811-CDM		PLANT LOCATION	IRAN, ONSHORE		01	15-11-2021	VZ
				SCALE	-	00	07-12-2020	VZ	
				DRAWING NO.	17811-38	MODIFICATIONS	SHEET		04/12

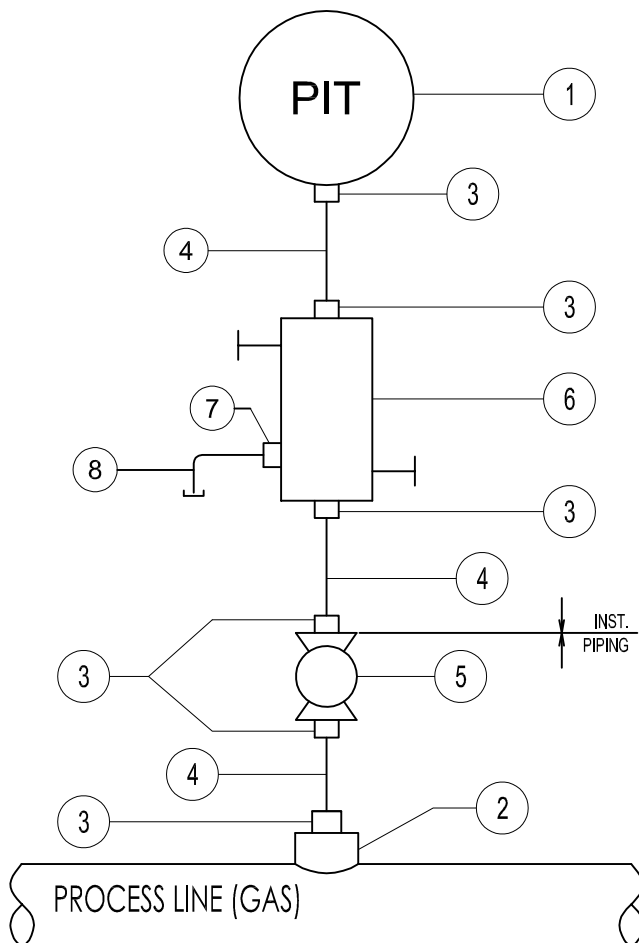
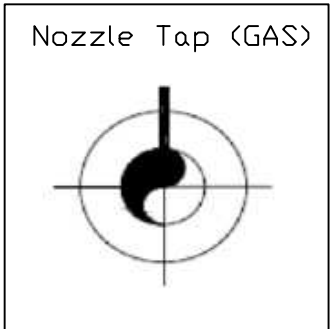
**BILL OF MATERIALS**

ITEM NO:	DESCRIPTION	MATERIAL	Q'TY
1	PRESSURE TRANSMITTER	ALUMINIUM	1
2	PROCESS CONNECTION 1/2" NPT-F	SS316	1
3	CONNECTOR DOUBLE COMPRESSION TYPE 1/2" NPT-M - 1/2" OD	SS316	6
4	TUBING 1/2" OD	SS316	-
5	2-WAY BALL VALVE 1/2" NPT-F	SS316	1
6	2-WAY BLOCK & BLEED MANIFOLD	SS316	1
7	CONNECTOR DOUBLE COMPRESSION TYPE 1/4" NPT-F - 1/4" OD	SS316	1
8	TUBING 1/4" OD WITH CAP	SS316	-

TAG NO: PIT-10153 / PIT-10156 / PIT-10157 / PIT-10158 / PIT-10159

NO. OF INSTALLATIONS: 5

## PRESSURE TRANSMITTER



	SUBJECT		INSTRUMENT HOOK UP DRAWING FOR NITROGEN COMPRESSOR	DATE	07-12-2020	THIS DRAWING IS OWNED BY AIRPACK AND SHALL NOT BE PRINTED OR COPIED IN ANY OTHER WAY THAN WITH AIRPACKS PERMISSION 03 05-04-2022 VZ 02 11-02-2022 VZ 01 15-11-2021 VZ 00 07-12-2020 VZ
	CLIENT	Bushehr Petrochemical Company (BUPC)	PLANT LOCATION	IRAN, ONSHORE		
	CLIENT REF	17811	SCALE	-		
	AIRPACK REF	17811-CDM	DRAWING NO.	17811-38		
		MODIFICATIONS	SHEET	05/12		



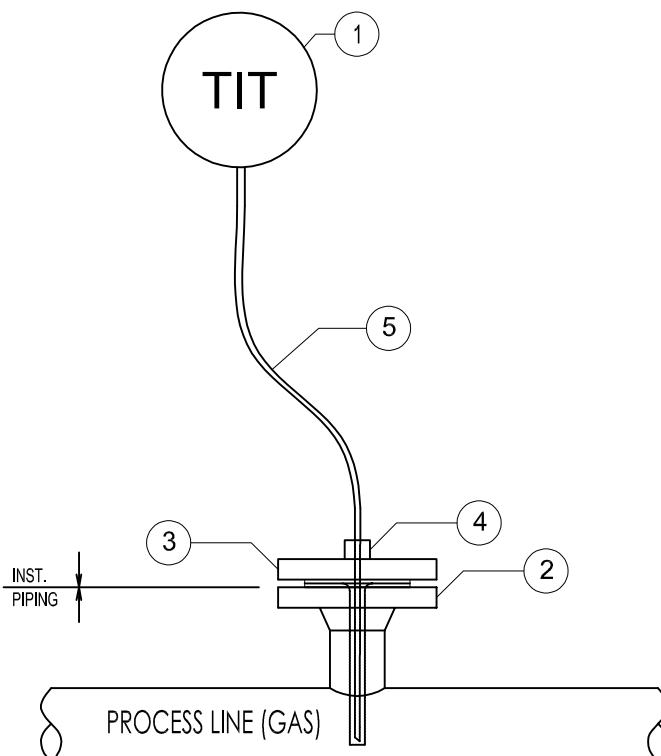
**BILL OF MATERIALS**


ITEM NO:	DESCRIPTION	MATERIAL	Q'TY
1	TEMPERATURE TRANSMITTER	ALUMINIUM	1
2	PROCESS CONNECTION 1 1/2" ANSI 300# RF	SS316	1
3	THERMOWELL 1 1/2" ANSI 300# RF	SS316	1
4	CONNECTOR DOUBLE COMPRESSION FITTING 1/2" NPT-M - 6 MM OD	SS316	1
5	CAPILARY, L=5M MOULDED TO TEMPERATURE ELEMENT	SS316	1

TAG NO: TIT-10151 / TIT-10152 / TIT-10153 / TIT-10154 / TIT-10155

NO. OF INSTALLATIONS: 5

## TEMPERATURE TRANSMITTER



	SUBJECT		INSTRUMENT HOOK UP DRAWING FOR NITROGEN COMPRESSOR		DATE	07-12-2020	THIS DRAWING IS OWNED BY AIRPACK AND SHALL NOT BE PRINTED OR COPIED IN ANY OTHER WAY THAN WITH AIRPACKS PERMISSION 03 05-04-2022 VZ 02 11-02-2022 VZ 01 15-11-2021 VZ 00 07-12-2020 VZ
	CLIENT	Bushehr Petrochemical Company (BUPC)		PLANT LOCATION	IRAN, ONSHORE		
	CLIENT REF	17811		SCALE	-		
	AIRPACK REF	17811-CDM		DRAWING NO.	17811-38		
	MODIFICATIONS		SHEET		07/12		



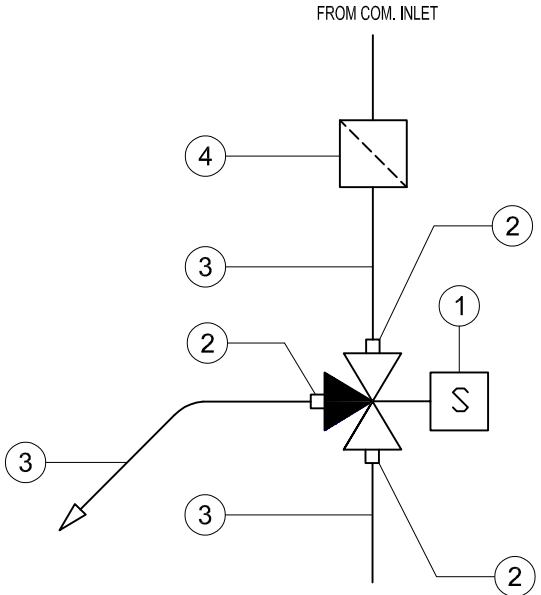
**BILL OF MATERIALS**

ITEM NO:	DESCRIPTION	MATERIAL	Q'TY
1	3-WAY SOLENOID VALVE	SS 316	1
2	CONNECTOR DOUBLE COMPRESSION TYPE 1/4" NPT-M - 1/4" OD	SS 316	3
3	TUBING 1/4" OD	SS 316	-
4	AIR INLET FILTER/REGULATOR	SS 316	1

TAG NO: XY-10151

NO. OF INSTALLATIONS: 1

**SOLENOID VALVE**



SUBJECT	INSTRUMENT HOOK UP DRAWING FOR NITROGEN COMPRESSOR		DATE	07-12-2020	THIS DRAWING IS OWNED BY AIRPACK AND SHALL NOT BE PRINTED OR COPIED IN ANY OTHER WAY THAN WITH AIRPACKS PERMISSION		
	CLIENT	Bushehr Petrochemical Company (BUPC)	DRAWN BY	WZ			
CLIENT REF			17811	CHECKED BY		KP	
AIRPACK REF	17811-COM	PLANT LOCATION	IRAN, ONSHORE	03		05-04-2022	WZ
		SCALE	-	02		11-02-2022	WZ
		DRAWING NO.	17811-38	01	15-11-2021	WZ	
				00	07-12-2020	WZ	
				MODIFICATIONS	SHEET	09/12	





