














OWNER:  شرکت سست و سوبی تو سو ایرانیان (سهامی خاص)	BUSHEHR PETROCHEMICAL COMPANY MEG PLANT						EPC CONTRACTOR:  Chagalesh-Enerchimi-Steam Joint Venture BUPC-MEG PLANT PROJECT		
	SINGLE LINE DIAGRAM FOR POWER DISTRIBUTION PANEL FOR EMERGENCY INSTRUMENT AIR COMPRESSOR						 Netherlands		
MC :  شرکت سست و سوبی تو سو ایرانیان (سهامی خاص)	Project	Area	Phase	Unit	Dis.	Doc.	Seq.	Contract No : 52-98/445	
Owner Document Number: 17811-49B	BU	20	VD	303	EL	DIG	0097	Rev.:	Page
								09	1 of 4

SINGLE LINE DIAGRAM FOR POWER DISTRIBUTION PANEL FOR EMERGENCY INSTRUMENT AIR COMPRESSOR

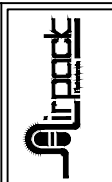
  BUSHEHR PETROCHEMICAL COMPANY MEG PLANT	
Document Review	
Issue Purpose:	AB
Result Code: AP,AN,CM,RE,NC	AP
Next Status : IFC,IFA,IFI,AFC,AB	-
Responsible Department	MECHANICAL
Commented Date	Nov.15,2022
Approval or review hereunder shall not be construed to relieve Vendor / Subcontractor of his responsibilities and liability under the contract.	

09	11/11/2022	AS BUILD	RT	RB	KP	
08	04/11/2022	AS BUILD	RT	RB	KP	
07	20/10/2022	Approved for Construction	BK	RB	KP	
06	14/09/2022	For approval	BK	RB	KP	
05	27/07/2022	For approval	BK	RB	KP	
04	28/06/2022	For approval	DH	RB	KP	
03	21/03/2022	For approval	AS	RB	KP	
02	10/01/2022	For approval	HT	RB	KP	
01	19/10/2021	For approval	HT	RB	KP	
00	02/07/2021	For approval	HT	RB	KP	
Rev.	Date	Purpose of Issue	Prepared	Checked	Approved	AC Code
				Class: 1	Phase: P	

LEGEND

	Maintenance switch
	Circuit Breaker 3P (MPCB)
	Circuit Breaker 3P (MCCB)
	Circuit Breaker 3P (MCB)
	Contactor 3P
	Main Motor
	Oilheater

NOTES:



SUBJECT	BUSHEHR PETROCHEMICAL COMPANY MEG PLANT EMERGENCY INSTRUMENT AIR COMPRESSOR	DATE	14-09-2022	THIS DRAWING IS OWNED BY AIRPACK AND SHALL NOT BE PRINTED OR COPIED IN ANY OTHER WAY THAN WITH AIRPACKS PERMISSION	REV 08	10-11-2022	RT
		DRAWN BY	HT		REV 07	31-10-2022	RT
CHECKED BY	KP	REV 06	20-10-2022		MS		
CLIENT	BUSHEHR PETROCHEMICAL COMPANY (BUPC)	PLANT LOCATION	IRAN		REV 05	14-09-2022	BK
CLIENT REF	20-C-7080	DRAWING NO.	17811-49B		REV 04	25-07-2022	BK
AIRPACK REF	17811	SHEETNO.	03 /04		REV 03	28-06-2022	DH
				REV 02	18-03-2021	AS	

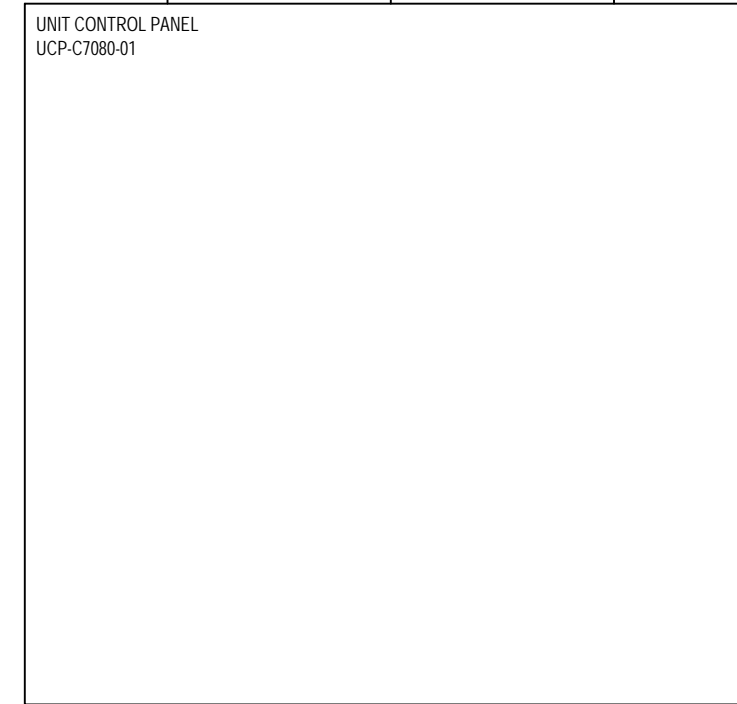
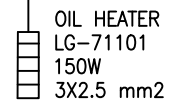
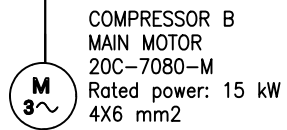
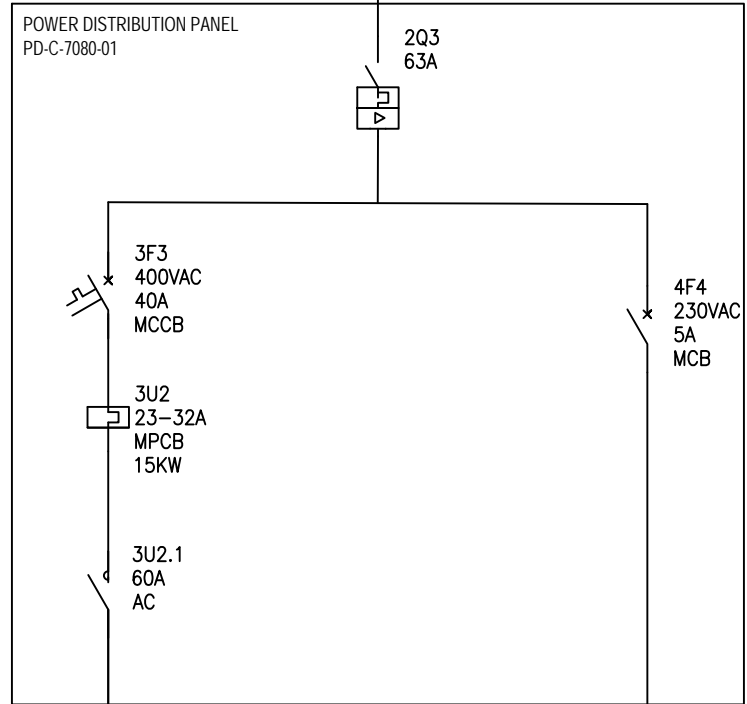
SINGLE LINE DIAGRAM

From: SWB3A-03
 Cable no: EBP-20-C-7080-M
 Cable Type and Size: CU/XLPE/SWA/PVC3.5*50mm2
 Gland: EX-IP65 E/M40

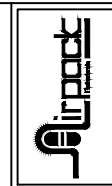
UPS-1
 POWER SUPPLY
 110VAC 50 HZ
 3X2.5 mm2

UPS-2
 POWER SUPPLY
 110VAC 50 HZ
 3X2.5 mm2

NON-UPS
 POWER SUPPLY
 230VAC 50 HZ
 3X2.5 mm2



NOTES:



SUBJECT	BUSHEHR PETROCHEMICAL COMPANY MEG PLANT EMERGENCY INSTRUMENT AIR COMPRESSOR
CLIENT	BUSHEHR PETROCHEMICAL COMPANY (BUPC)
CLIENT REF	20-C-7080
AIRPACK REF	17811

DATE	14-09-2022
DRAWN BY	HT
CHECKED BY	KP
PLANT LOCATION	IRAN
DRAWING NO.	17811-49B
SHEETNO.	04 / 04

THIS DRAWING IS OWNED BY AIRPACK AND SHALL NOT BE PRINTED OR COPIED IN ANY OTHER WAY THAN WITH AIRPACKS PERMISSION

REV 08	10-11-2022	RT
REV 07	31-10-2022	RT
REV 06	20-10-2022	MS
REV 05	14-09-2022	BK
REV 04	25-07-2022	BK
REV 03	28-06-2022	DH
REV 02	18-03-2022	AS