







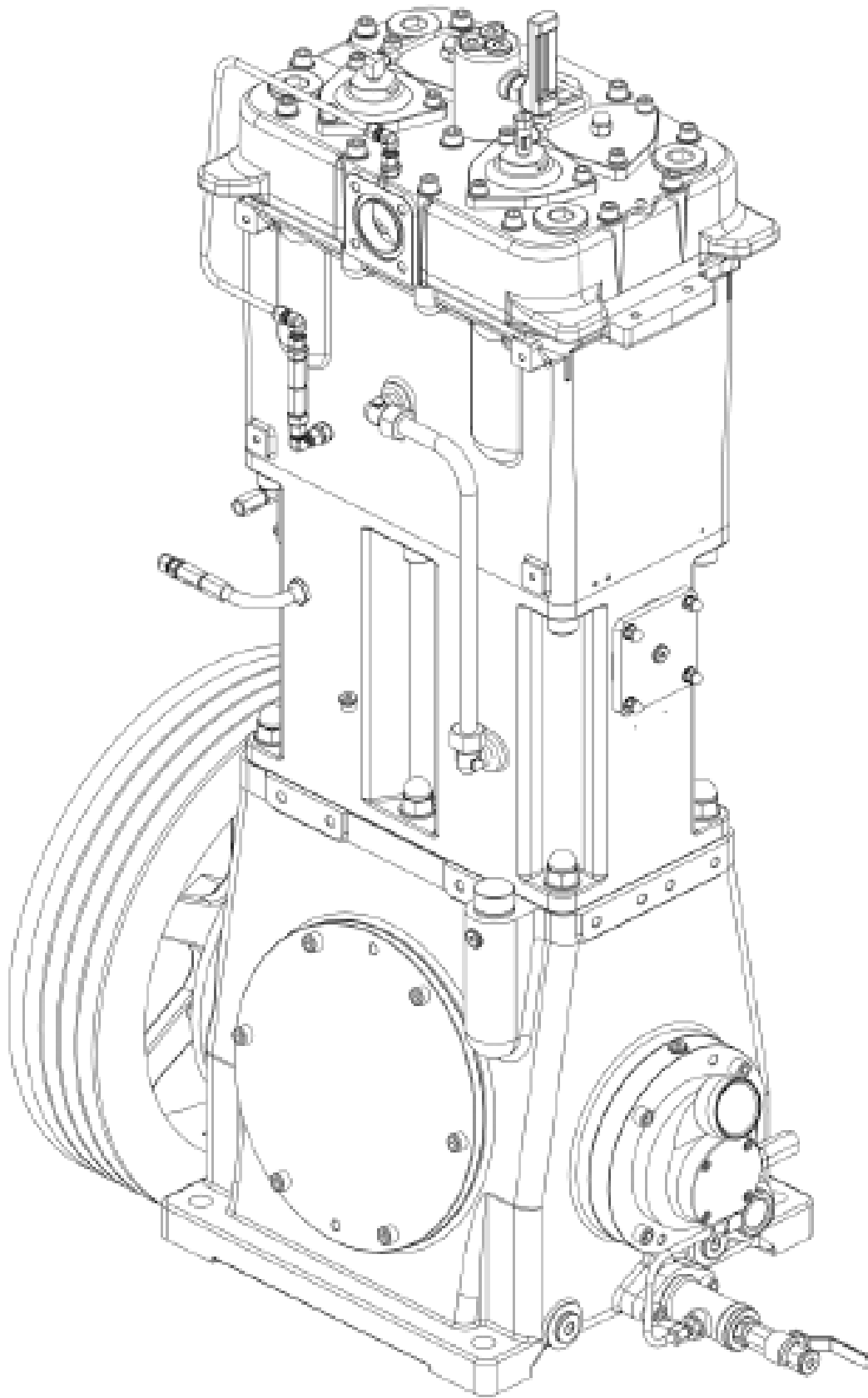
OWNER:  شرکت ست و پوی آوند ایرانیان (سهامی خاص)	BUSHEHR PETROCHEMICAL COMPANY MEG PLANT						EPC CONTRACTOR:  Chagalesh-Enerchimi-Steam Joint Venture BUPC-MEG PLANT PROJECT		
	"RECIPOCRATING COMPRESSOR DETAIL DRAIWNIG WITH PARTS LIST FOR EMERGENCY INSTRUMENT AIR COMPRESSOR"						 Netherlands		
MC :  شرکت ست و پوی آوند ایرانیان (سهامی خاص)	Project	Area	Phase	Unit	Dis.	Doc.	Seq.	Contract No: 52-98/445	
Owner Document Number: 17811-59B	BU	20	VD	303	ME	DWG	0077	Rev.:	Page
								07	1 of 65

"RECIPOCRATING COMPRESSOR DETAIL DRAIWNIG WITH PARTS LIST FOR EMERGENCY INSTRUMENT AIR COMPRESSOR"

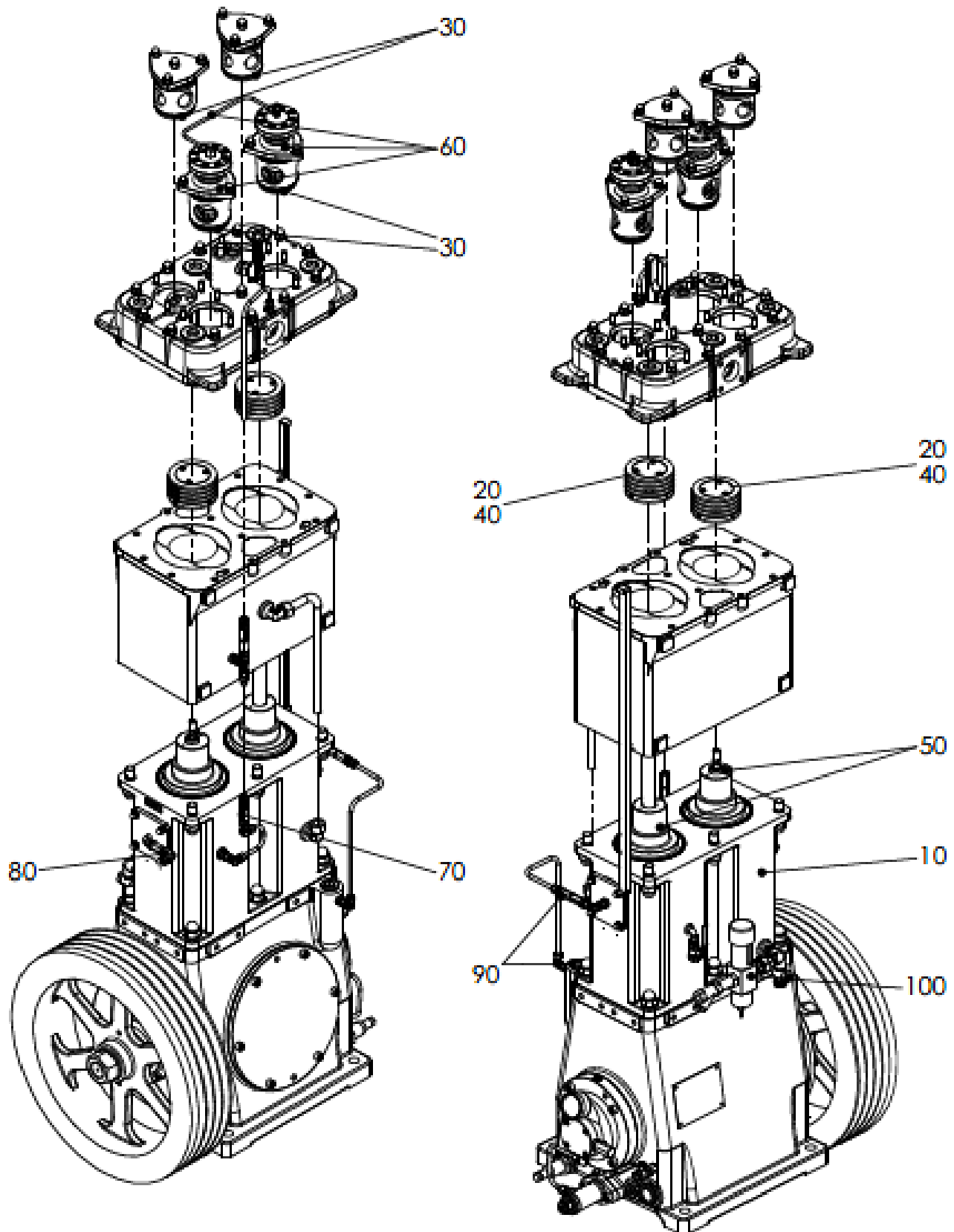
 شرکت ست و پوی آوند ایرانیان (سهامی خاص)		 Chagalesh-Enerchimi-Steam Joint Venture BUPC-MEG PLANT PROJECT		BUSHEHR PETROCHEMICAL COMPANY MEG PLANT	
Document Review					
Issue Purpose:			AFC		
Result Code: AP,AN,CM,RE,NC			AP		
Next Status : IFC,IFA,IFI,AFC,AB			-		
Responsible Department			MECHANICAL		
Commented Date			Feb.15,2023		

07	05/01/2023	Approved for Construction	Approved for Construction not be construed to move Vendor / Subcontractor of his responsibilities and liability under the contract.	MC	KP	JR	
06	15/12/2022	Approved for Construction	Approved for Construction	MC	KP	JR	
05	07/11/2022	Approved for Construction	Approved for Construction	MC	KP	JR	
04	13/09/2022	Approved for Construction	Approved for Construction	MC	KP	JR	
03	05/09/2022	Approved for Construction	Approved for Construction	MC	KP	JR	
02	17/08/2022	Approved for Construction	Approved for Construction	MC	KP	JR	
01	21/07/2022	For information	For information	MC	KP	JR	
00	19/11/2021	For information	For information	MC	KP	JR	
Rev.	Date	Purpose of Issue		Prepared	Checked	Approved	AC Code
						Class: 1	Phase: P

Compressor

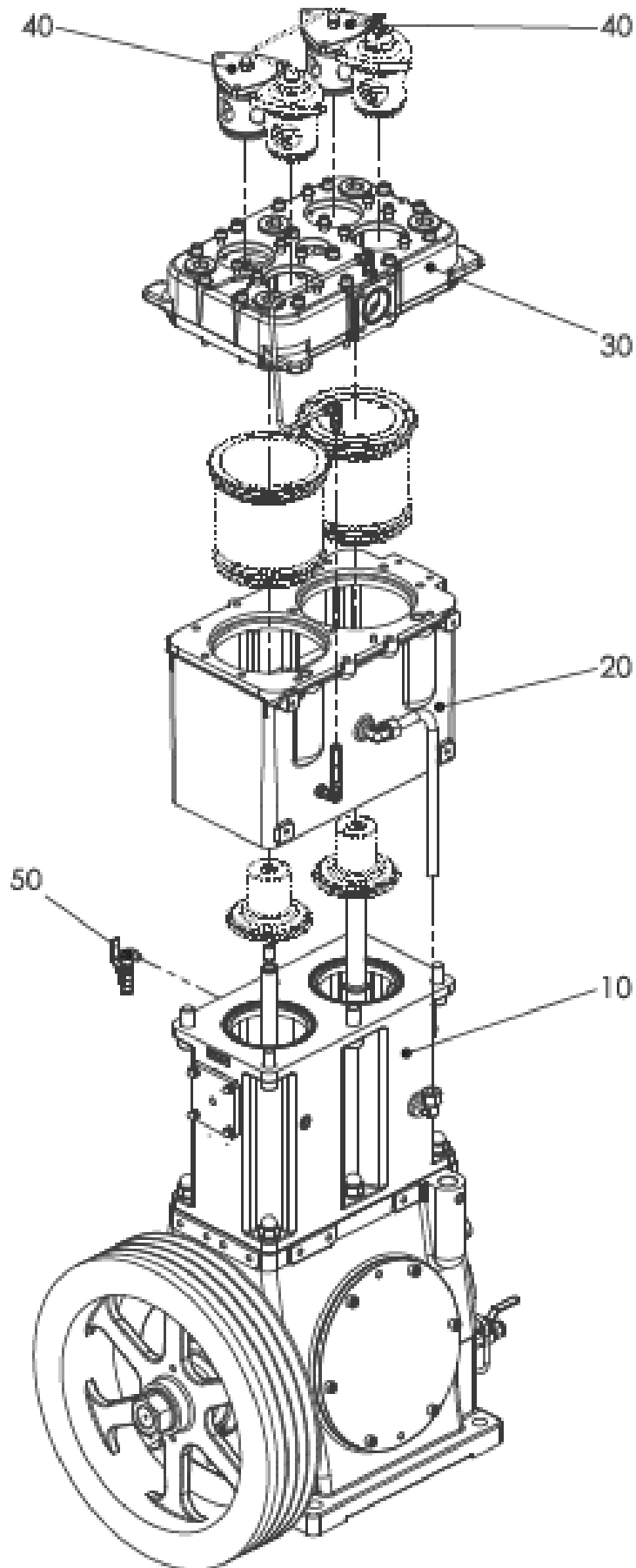


Drawing CC15001 Compressor



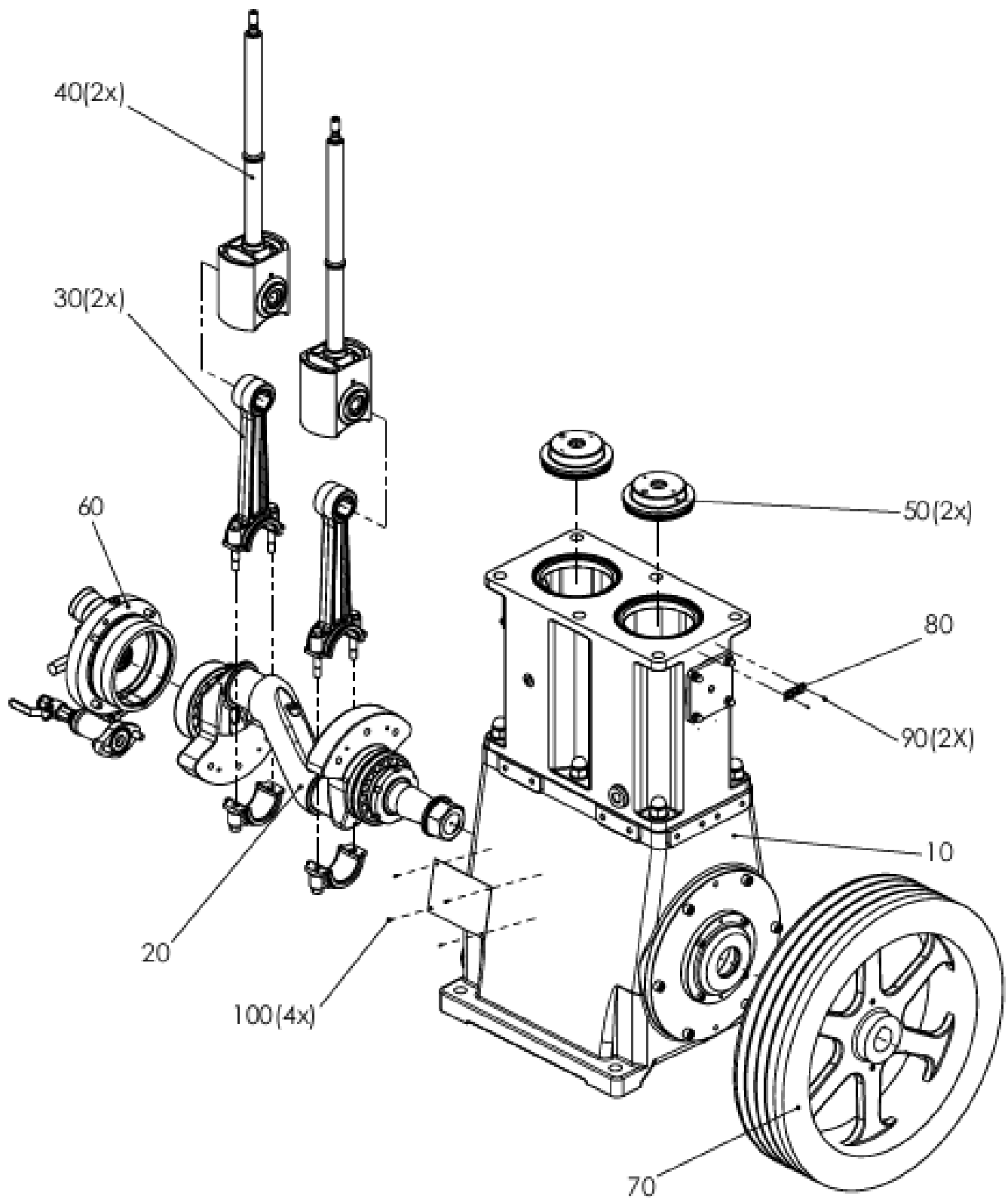
ITEM	PART NO.	DESCRIPTION	QTY
TAG NO.			
		Drawing Compressor	
	17811-CC1500	Compressor	1
		Drawing CC15001 Compressor	
10	17811-CC1501	Compressor-R	1
20	17811-CC1502	Piston and guide rings	1
30	17811-CC1503	Working valves (assembly)	1
40	17811-CC1504	Piston	2
50	17811-CC1505	Gland-gas	2
60	17811-CC1506	Valve control	1
70	17811-CC1507	Leak gas - gland	1
80	17811-CC1508	Leak gas - lantern	1
90	17811-CC1509	Without purging gas	1
100	17811-CC1510	Cooling water connection	1

Drawing CC15002 Compressor



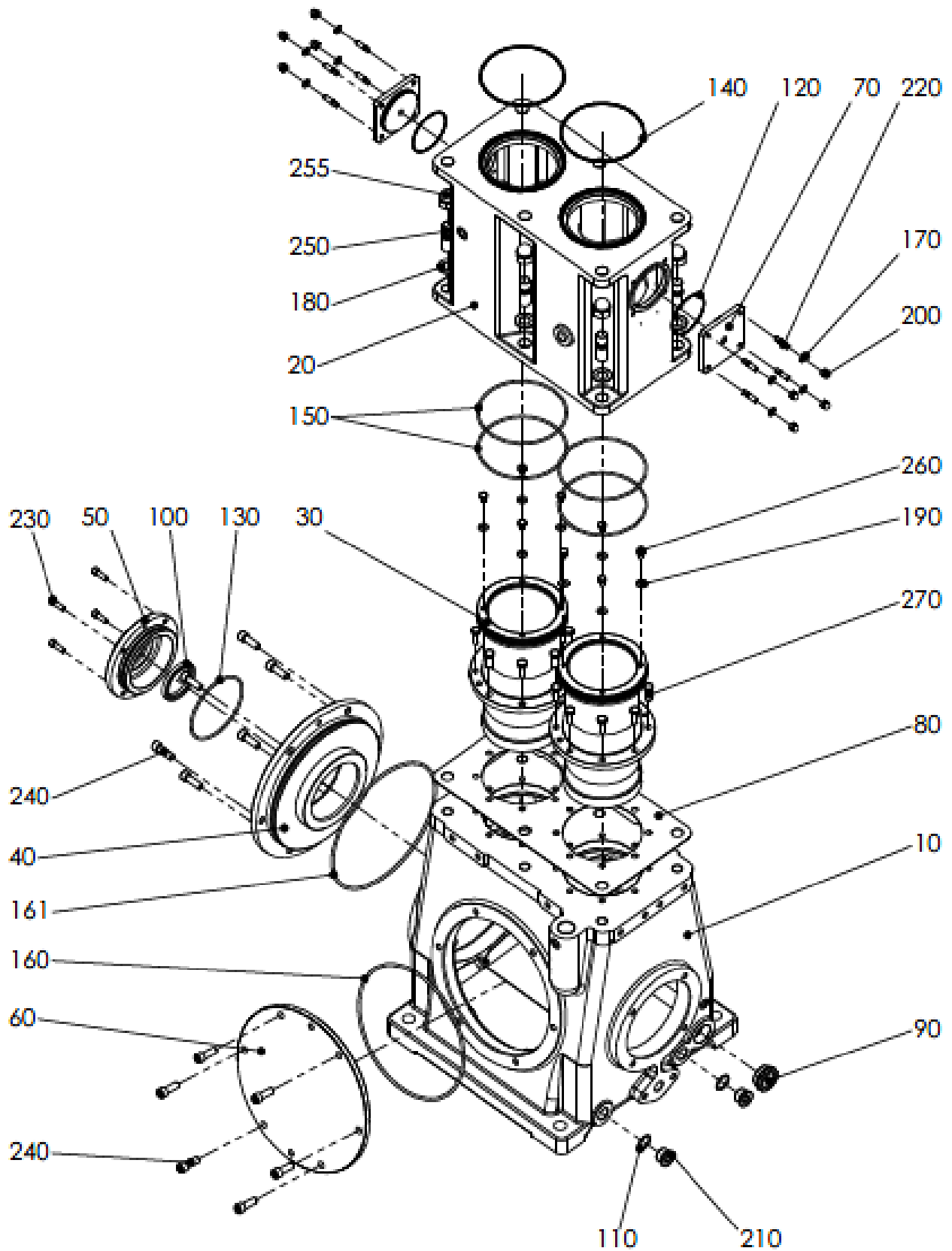
ITEM	PART NO.	DESCRIPTION	QTY
TAG NO.			
		Drawing CC15002 Compressor	
10	17811-CC1511	Gear	1
20	17811-CC1512	Cylinder	1
30	17811-CC1513	Cylinder head	1
40	17811-CC1514	Delivery valve fixture	2
50	17811-CC1515	Condensate drain	1

Drawing CC15003 Gear



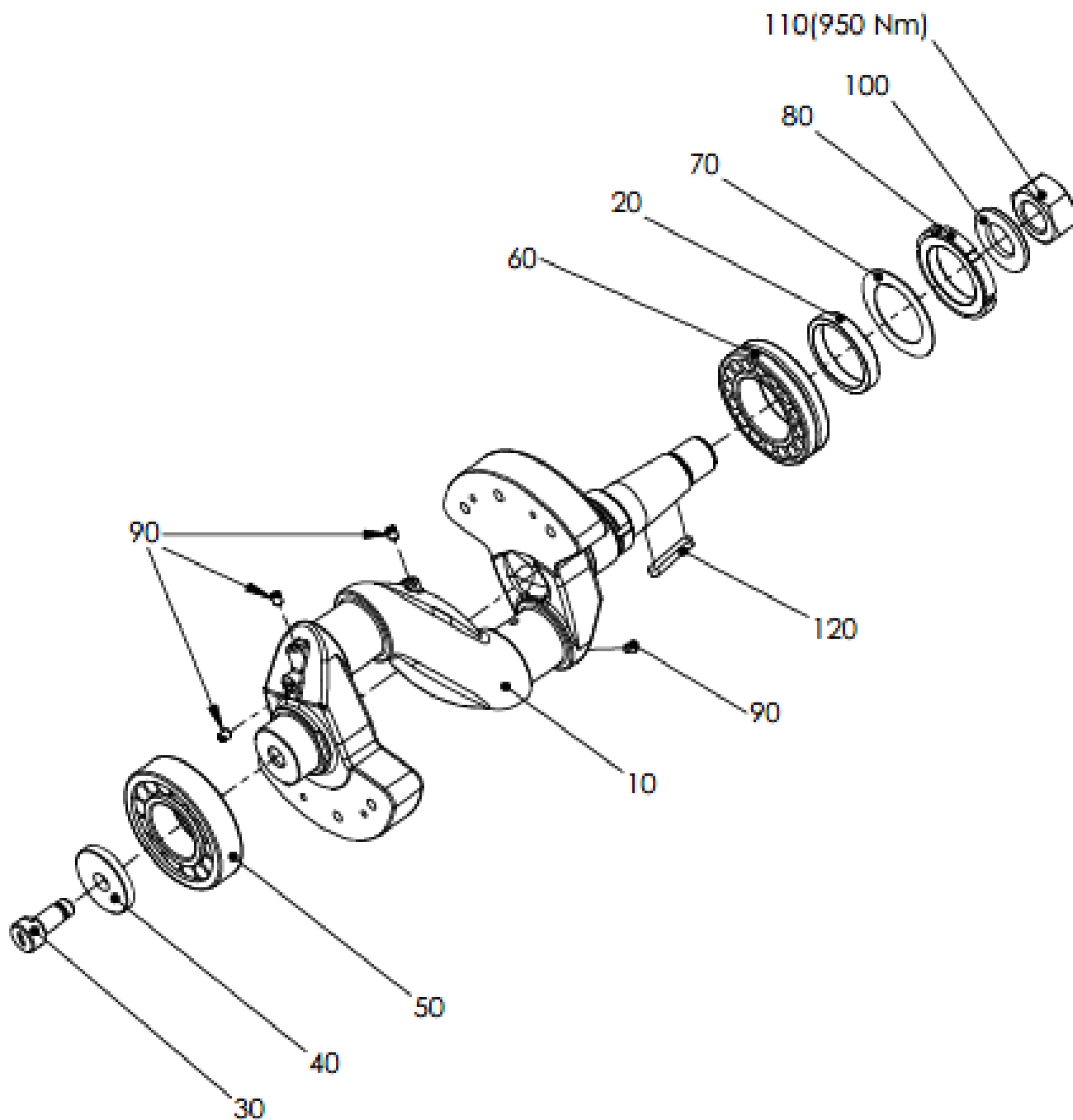
ITEM	PART NO.	DESCRIPTION	QTY
TAG NO.			
		Drawing CC15003 Gear	
10	17811-CC1516	Crankcase	1
20	17811-CC1517	Crankshaft	1
30	17811-CC1518	Connecting rod	2
40	17811-CC1519	Guide piston	2
50	17811-CC1520	Gland, oil	2
60	17811-CC1521	Lubrication	1
70	17811-CC1522	V-belt pulley	1
80	17811-CC1523	Plate	1
90	17811-CC1524	Round head bolt	2
100	17811-CC1525	Round head bolt	4
110	17811-CC1526	Oil	7

Drawing CC15004 Crankcase



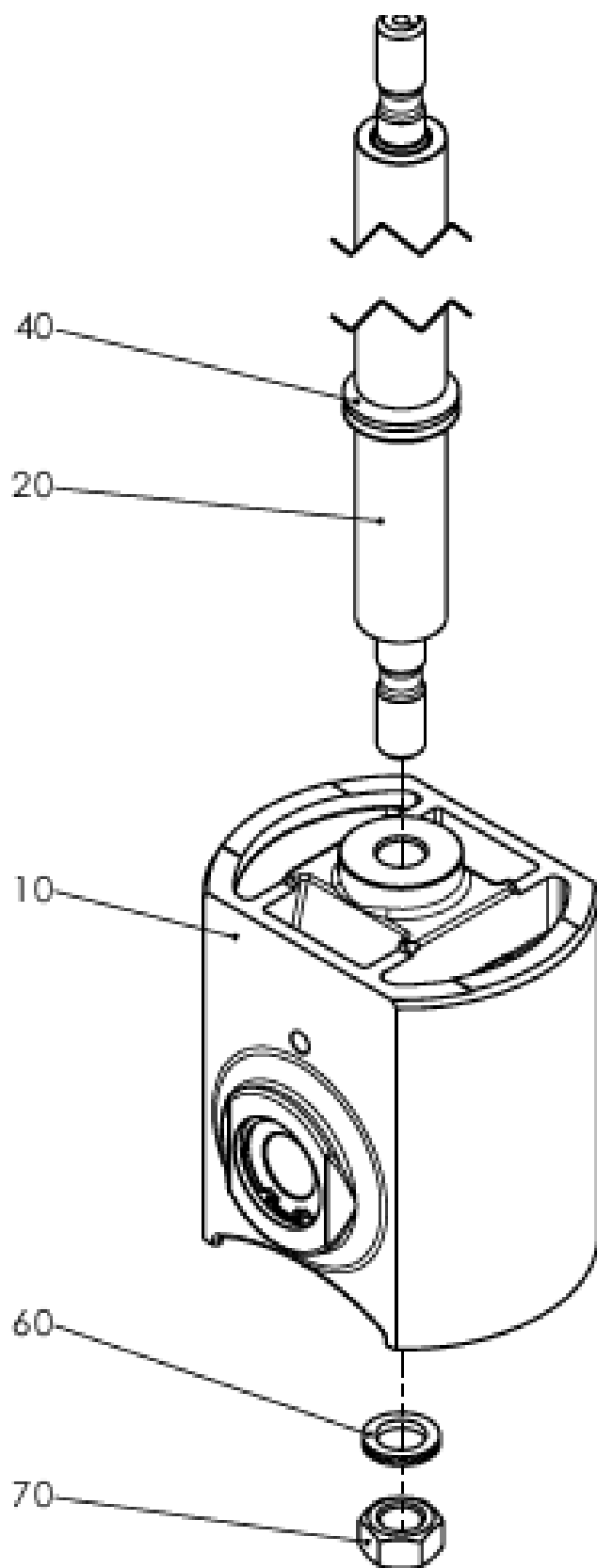
ITEM	PART NO.	DESCRIPTION	QTY
TAG NO.			
		Drawing CC15004 Crankcase	
10	17811-CC1527	Case	1
20	17811-CC1528	Lantern	1
30	17811-CC1529	Cylinder liner	2
40	17811-CC1530	Bearing cap	1
50	17811-CC1531	Sealing cover	1
60	17811-CC1532	Side cover	1
70	17811-CC1533	Cover	2
80	17811-CC1534	Gasket	1
90	17811-CC1535	Oil inspection glass	1
100	17811-CC1536	Radial oil seal gasket	1
110	17811-CC1537	Sealing ring	2
120	17811-CC1538	O-ring	2
130	17811-CC1539	O-ring	1
140	17811-CC1540	O-ring	2
150	17811-CC1541	O-ring	4
160	17811-CC1542	O-ring	1
161	17811-CC1543	O-ring	1
170	17811-CC1544	Washer	8
180	17811-CC1545	Washer	6
190	17811-CC1546	Conical spring washer	8
200	17811-CC1547	Cap nut	8
210	17811-CC1548	Screw plug	2
220	17811-CC1549	Stud	8
230	17811-CC1550	Hexagon socket h.c. screw	4
240	17811-CC1551	Hexagon socket h.c. screw	12
250	17811-CC1552	Stud	6
255	17811-CC1553	Cap nut	6
260	17811-CC1554	Hexagon screw	8
270	17811-CC1555	Hexagon screw	16

Drawing CC15005 Crankshaft



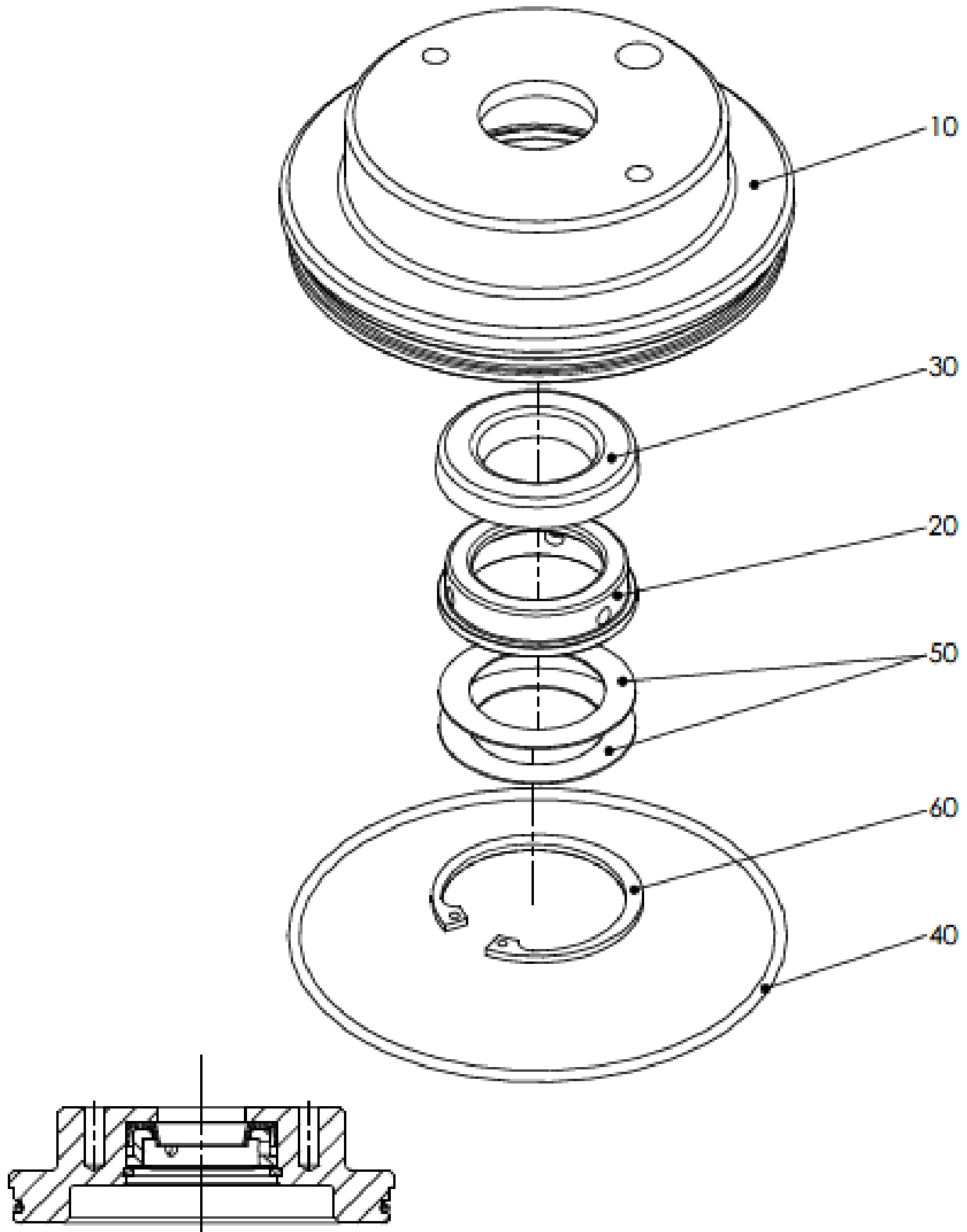
ITEM	PART NO.	DESCRIPTION	QTY
TAG NO.			
		Drawing CC15005 Crankshaft	
10	17811-CC1556	PT Crankshaft	1
20	17811-CC1557	Distance ring	1
30	17811-CC1558	Coupling pin	1
40	17811-CC1559	Washer	1
50	17811-CC1560	Roller bearing	1
60	17811-CC1561	Self-aligning roller bearing	1
70	17811-CC1562	Tab washer	1
80	17811-CC1563	Groove nut	1
90	17811-CC1564	Set screw	4
100	17811-CC1565	Washer	1
110	17811-CC1566	Hexagon nut	1
120	17811-CC1567	Feather key	1

Drawing CC15006 Guide piston



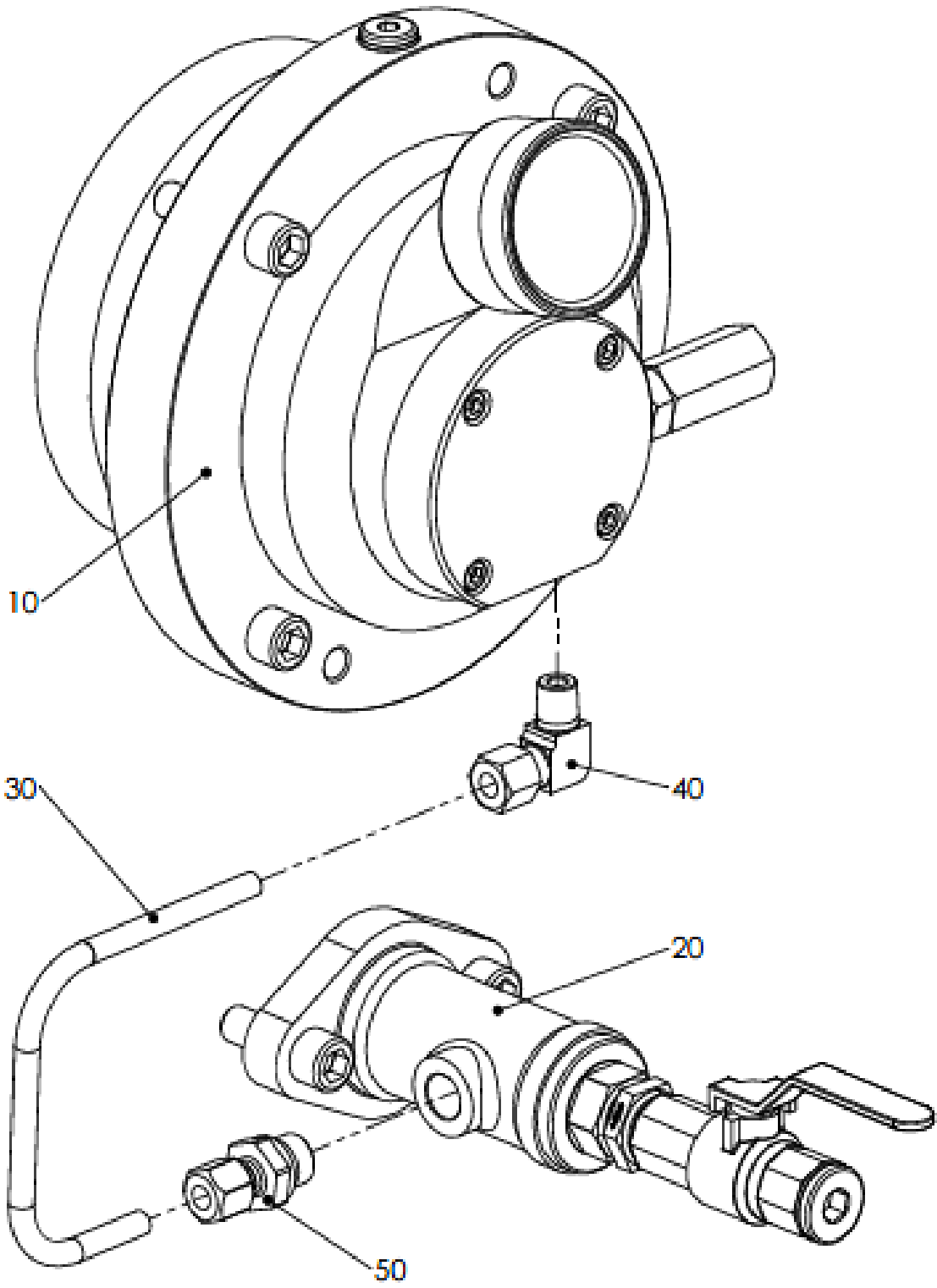
ITEM	PART NO.	DESCRIPTION	QTY
TAG NO.			
		Drawing CC15006 Guide piston	
10	17811-CC1568	Guide piston	1
20	17811-CC1569	Piston rod	1
40	17811-CC1570	V-ring	1
60	17811-CC1571	Wedge lock washer	1
70	17811-CC1572	Hexagon nut	1

Drawing CC15007 Gland oil



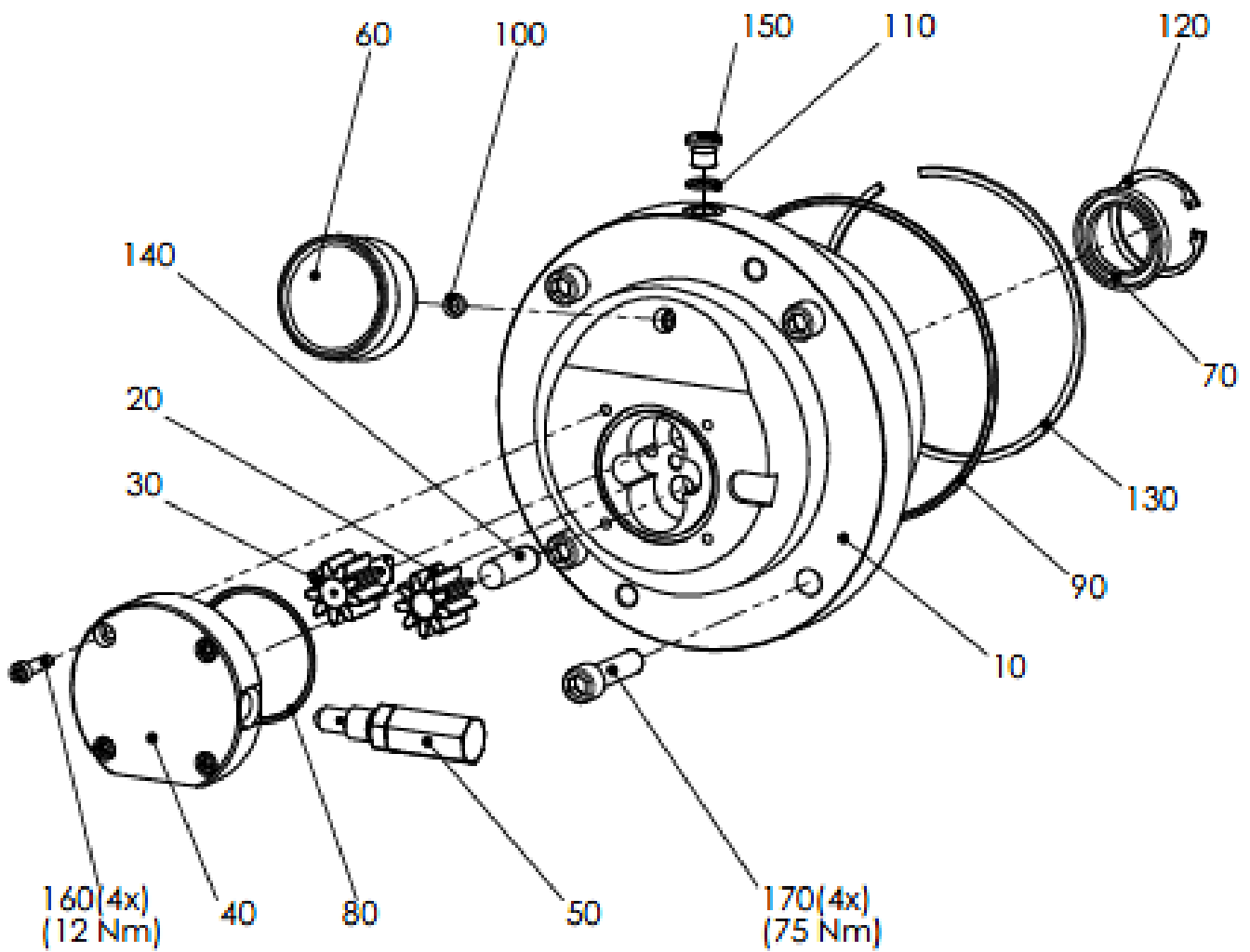
ITEM	PART NO.	DESCRIPTION	QTY
TAG NO.			
		Drawing CC15007 Gland oil	
10	17811-CC1573	Gland housing	1
20	17811-CC1574	Supporting ring	1
30	17811-CC1575	Scraper collar	1
40	17811-CC1576	O-ring	1
50	17811-CC1577	Belleville spring washer	2
60	17811-CC1578	Circlip	1

Drawing CC15008 Lubrication



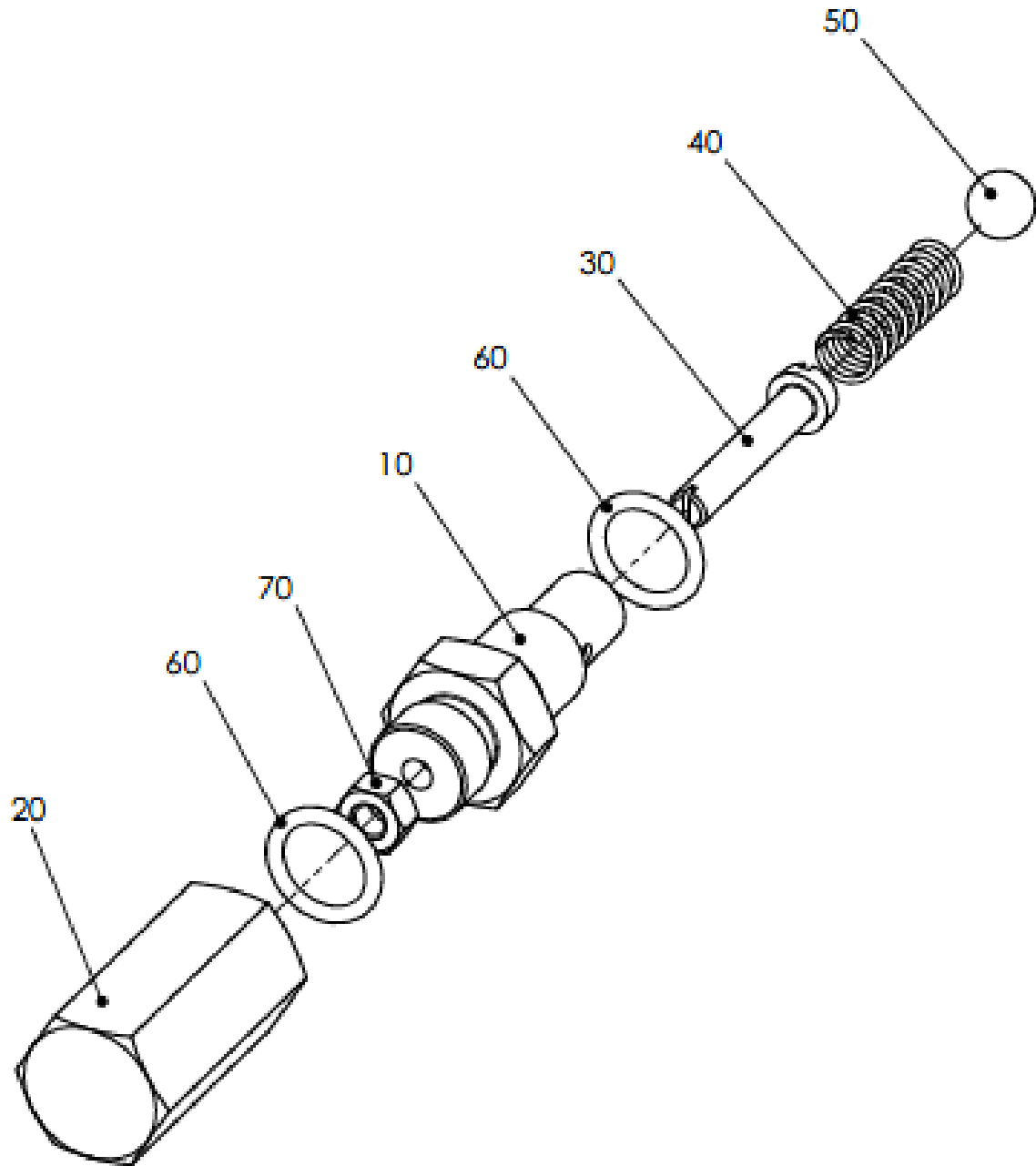
ITEM	PART NO.	DESCRIPTION	QTY
TAG NO.			
		Drawing CC15008 Lubrication	
10	17811-CC1579	Oilpump cpl.	1
20	17811-CC1580	Filter	1
30	17811-CC1581	Pipeline	1
40	17811-CC1582	Angular threaded joint	1
50	17811-CC1583	Threaded joint	1

Drawing CC15009 Oil pump cpl.



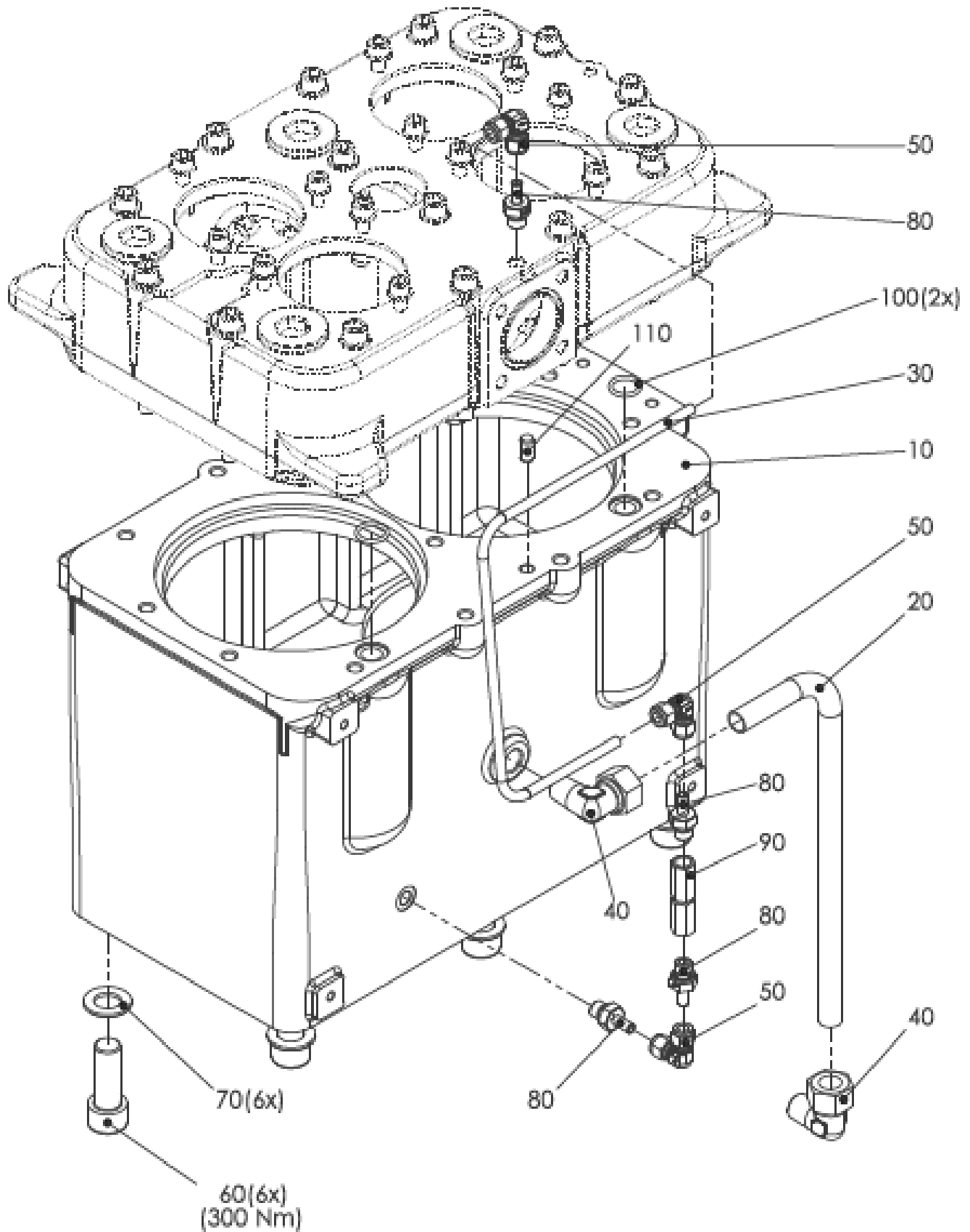
ITEM	PART NO.	DESCRIPTION	QTY
TAG NO.			
		Drawing CC15009 Oil pump cpl.	
10	17811-CC1584	Bearing cap	1
20	17811-CC1585	Toothed gear	1
30	17811-CC1586	Toothed gear	1
40	17811-CC1587	Pump cover	1
50	17811-CC1588	Pressure regulator	1
60	17811-CC1589	Manometer	1
70	17811-CC1590	Radial oil seal gasket	1
80	17811-CC1591	O-ring	1
90	17811-CC1592	O-ring	1
100	17811-CC1593	Sealing ring	1
110	17811-CC1594	Sealing ring	1
120	17811-CC1595	Circlip	1
130	17811-CC1596	Snap ring	1
140	17811-CC1597	Straight pin	1
150	17811-CC1598	Screw plug	1
160	17811-CC1599	Hexagon socket h.c. screw	4
170	17811-CC1600	Hexagon socket h.c. screw	4

Drawing CC15010 Pressure regulator



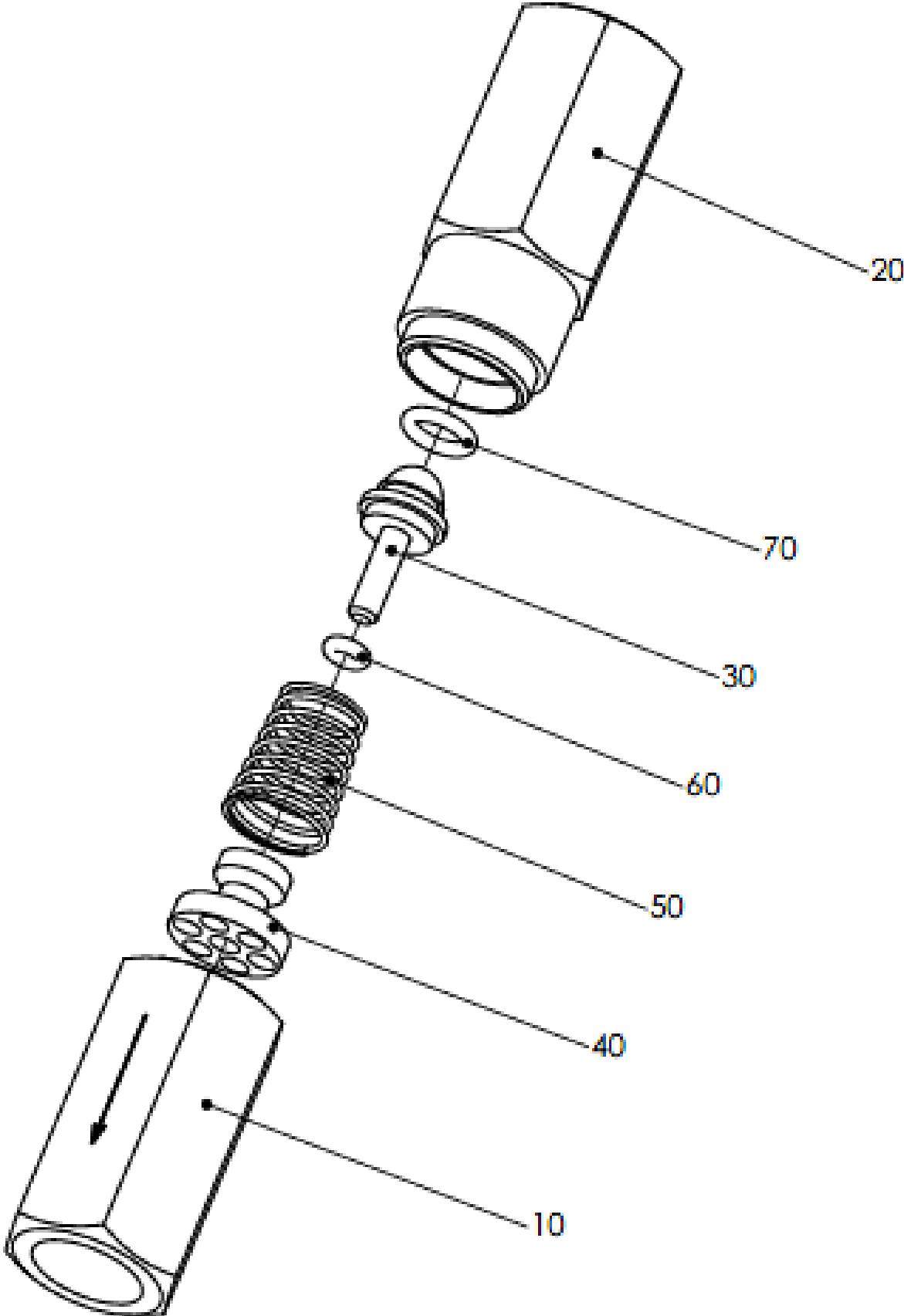
ITEM	PART NO.	DESCRIPTION	QTY
TAG NO.			
		Drawing CC15010 Pressure regulator	
10	17811-CC1601	Valve guide	1
20	17811-CC1602	Cap nut	1
30	17811-CC1603	Adjusting screw	1
40	17811-CC1604	Pressure spring	1
50	17811-CC1605	Ball	1
60	17811-CC1606	O-ring	2
70	17811-CC1607	Hexagon nut	1

Drawing CC15011 Cylinder



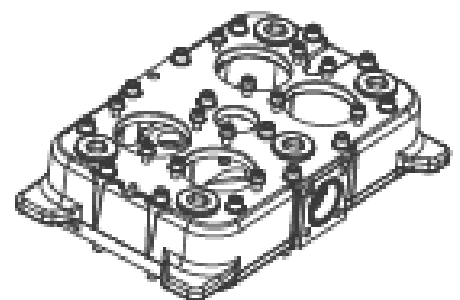
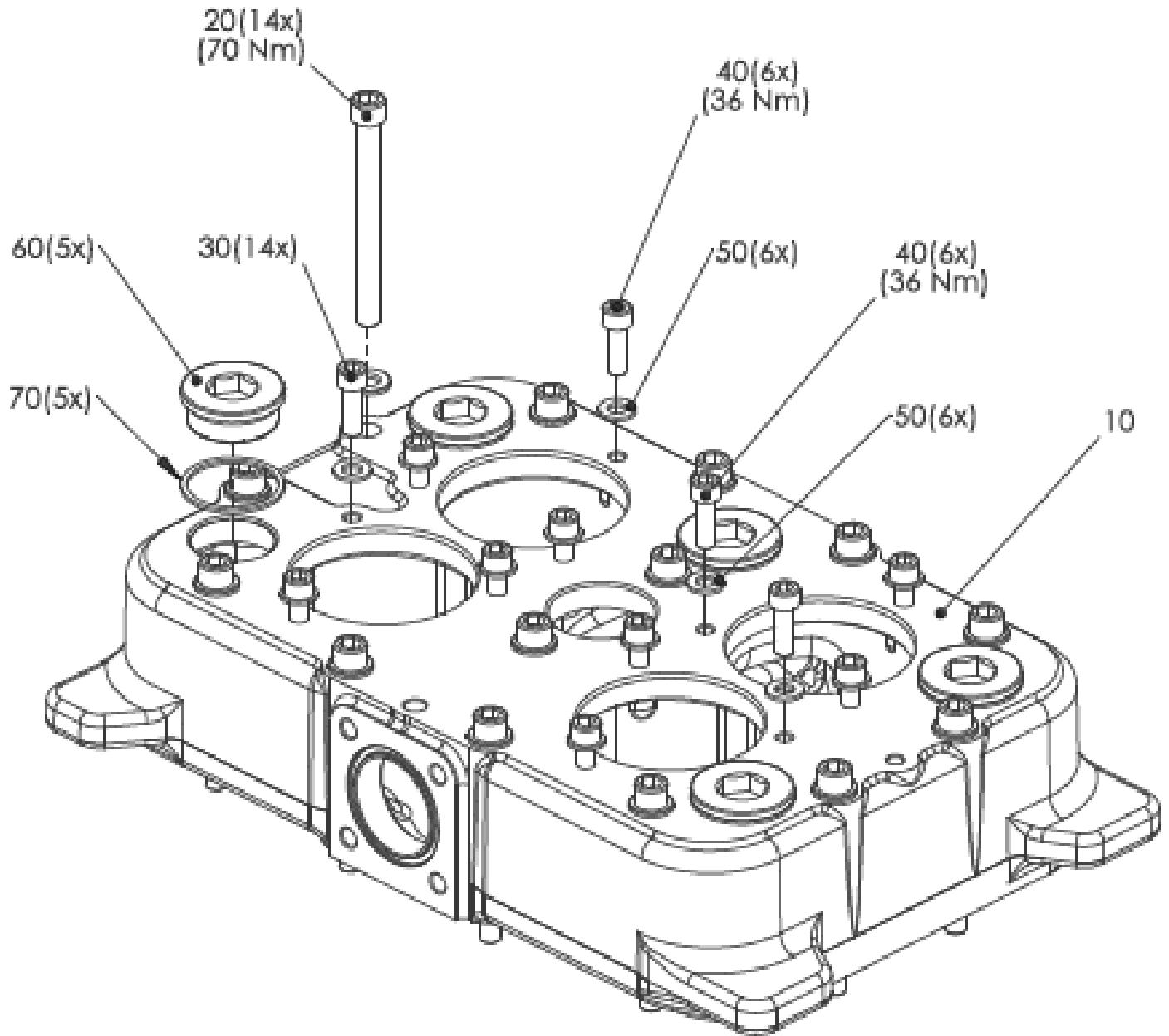
ITEM	PART NO.	DESCRIPTION	QTY
TAG NO.			
		Drawing CC15011 Cylinder	
10	17811-CC1608	Cylinder block	1
20	17811-CC1609	Pipeline	1
30	17811-CC1610	Pipeline	1
40	17811-CC1611	Angular threaded joint	2
50	17811-CC1612	Angular threaded joint	3
60	17811-CC1613	Hexagon socket h.c. screw	6
70	17811-CC1614	Washer	6
80	17811-CC1615	Tube adapter	4
90	17811-CC1616	Non return valve	1
100	17811-CC1617	O-ring	2
110	17811-CC1618	Straight pin	1

Drawing CC15012 Non return valve



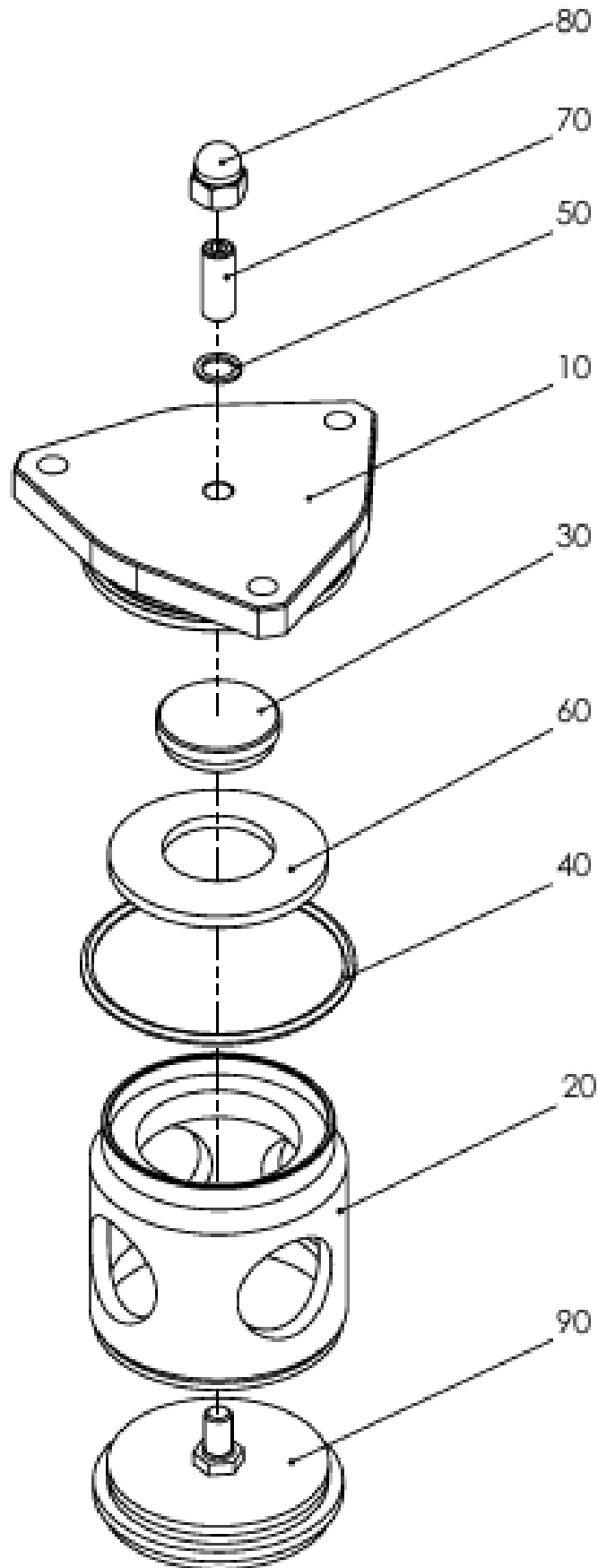
ITEM	PART NO.	DESCRIPTION	QTY
TAG NO.			
		Drawing CC15012 Non return valve	
10	17811-CC1619	Valve body	1
20	17811-CC1620	Valve body	1
30	17811-CC1621	Valve cone	1
40	17811-CC1622	Valve bushing	1
50	17811-CC1623	Pressure spring	1
60	17811-CC1624	O-ring	1
70	17811-CC1625	O-ring	1

Drawing CC15013 Cylinder head



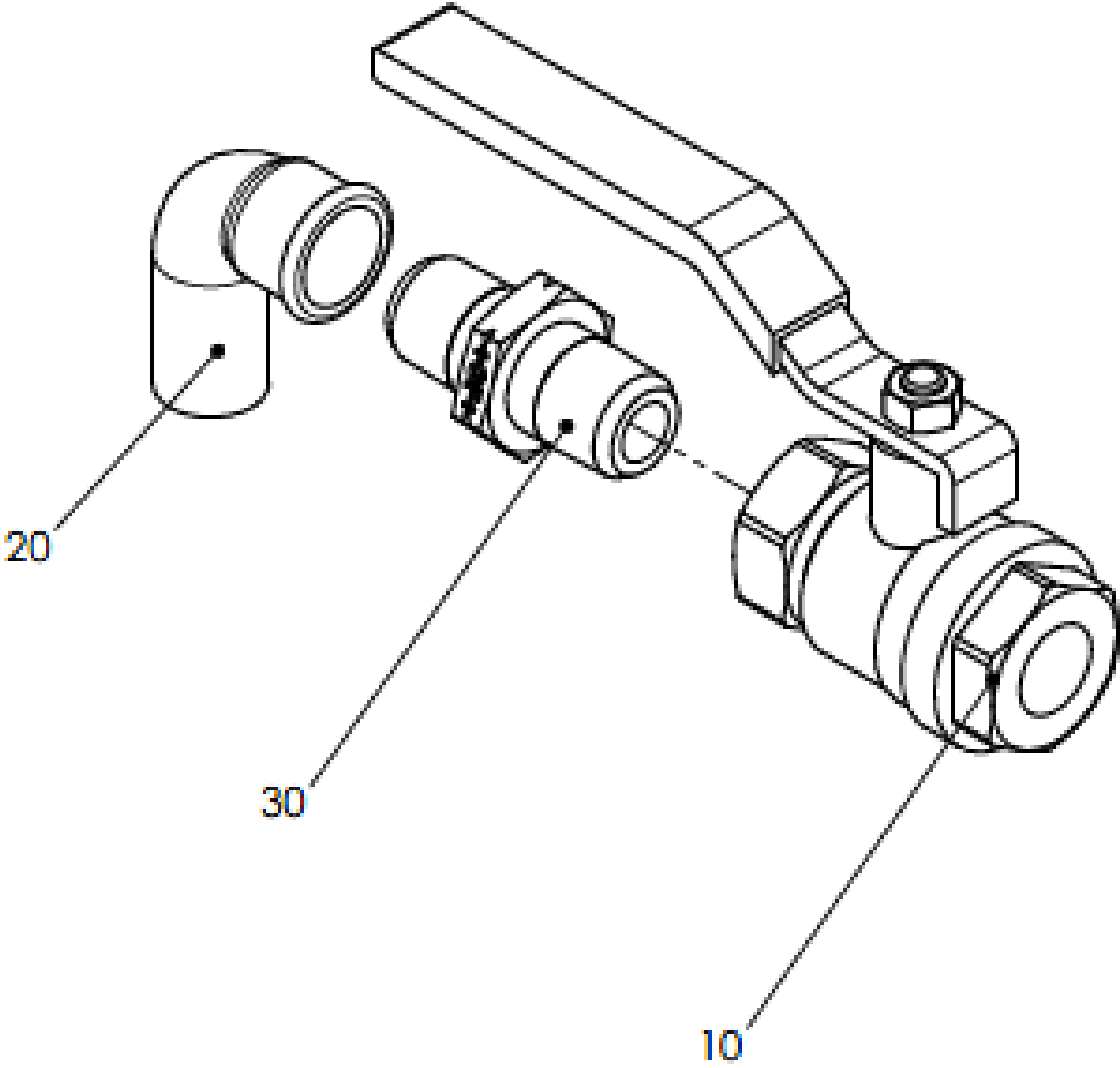
ITEM	PART NO.	DESCRIPTION	QTY
TAG NO.			
		Drawing CC15013 Cylinder head	
10	17811-CC1626	Cylinder head	1
20	17811-CC1627	Hexagon socket h.c. screw	14
30	17811-CC1628	Washer	14
40	17811-CC1629	Hexagon socket h.c. screw	12
50	17811-CC1630	Washer	12
60	17811-CC1631	Screw plug	5
70	17811-CC1632	Sealing ring	5

Drawing CC15014 Delivery valve fixture



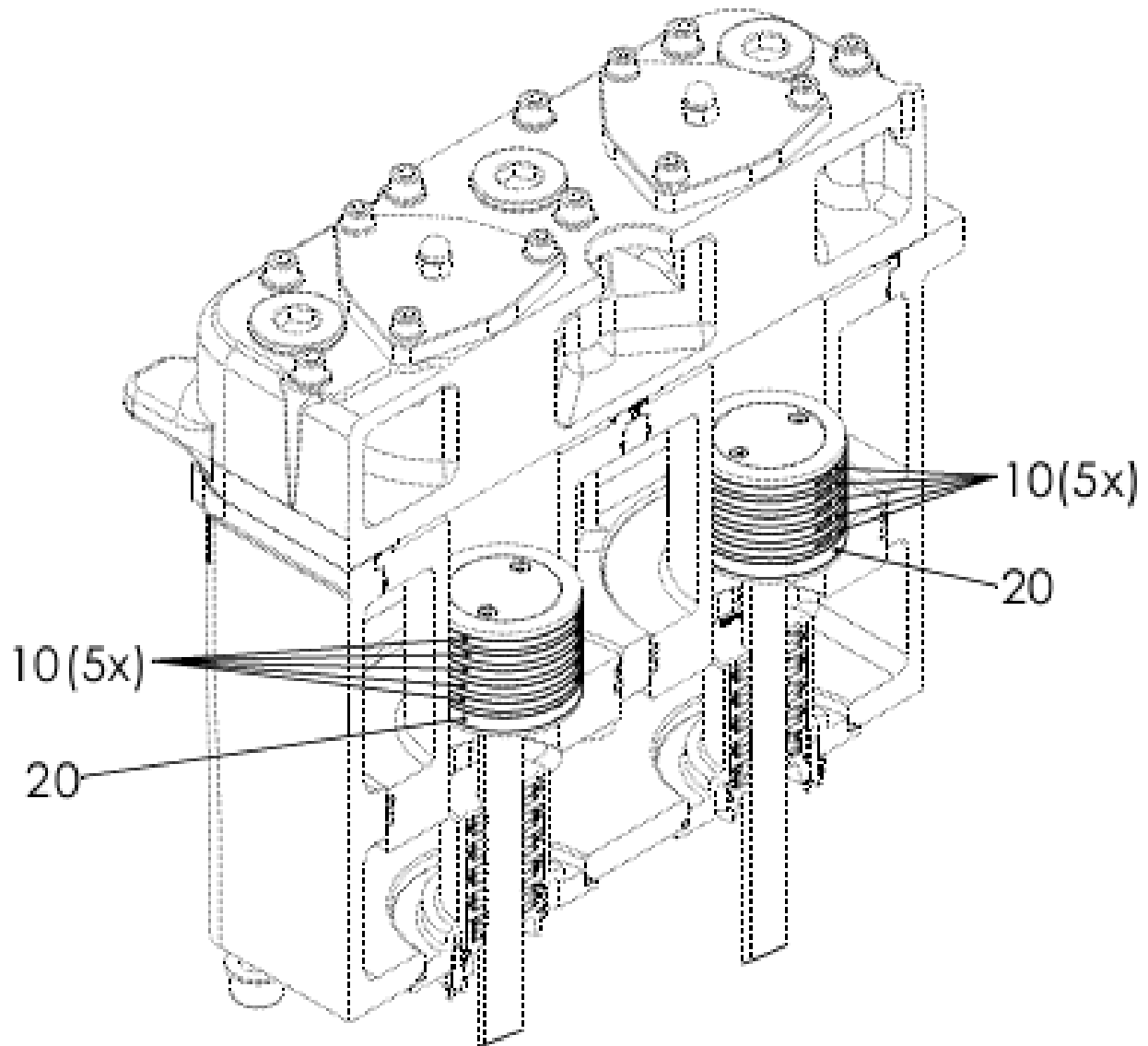
ITEM	PART NO.	DESCRIPTION	QTY
TAG NO.			
		Drawing CC15014 Delivery valve fixture	
10	17811-CC1633	Cover	1
20	17811-CC1634	Valve lantern	1
30	17811-CC1635	Pressure washer	1
40	17811-CC1636	O-ring	1
50	17811-CC1637	Sealing ring	1
60	17811-CC1638	Belleville spring washer	1
70	17811-CC1639	Set screw	1
80	17811-CC1640	Cap nut	1
90	17811-CC1641	see 1.assy Pos. 30.2 resp. 30	1

Drawing CC15015 Condensate drain



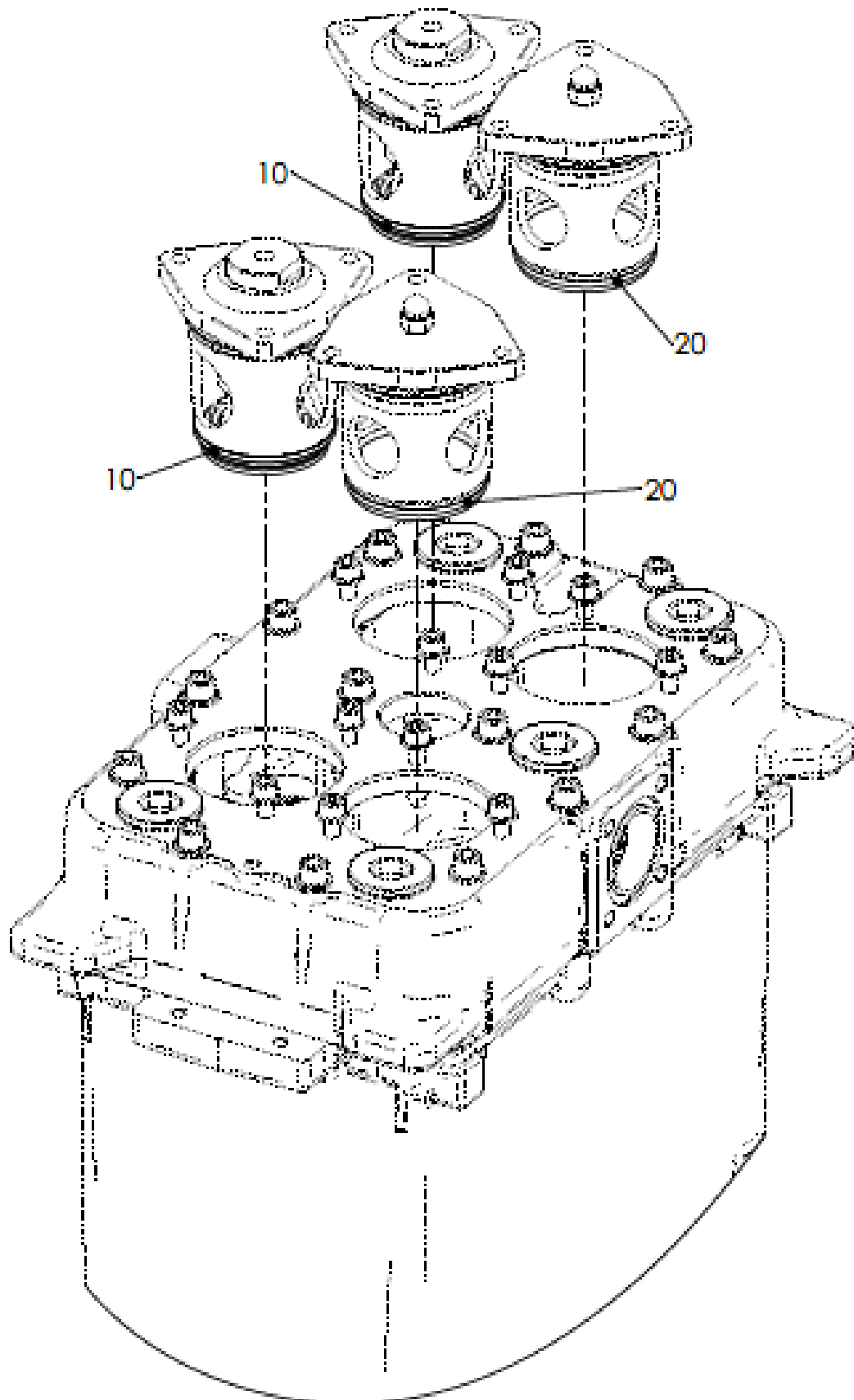
ITEM	PART NO.	DESCRIPTION	QTY
TAG NO.			
		Drawing CC15015 Condensate drain	
10	17811-CC1642	Ball valve	1
20	17811-CC1643	Angle	1
30	17811-CC1644	Double nipple	1

Drawing CC15016 Piston and guide rings



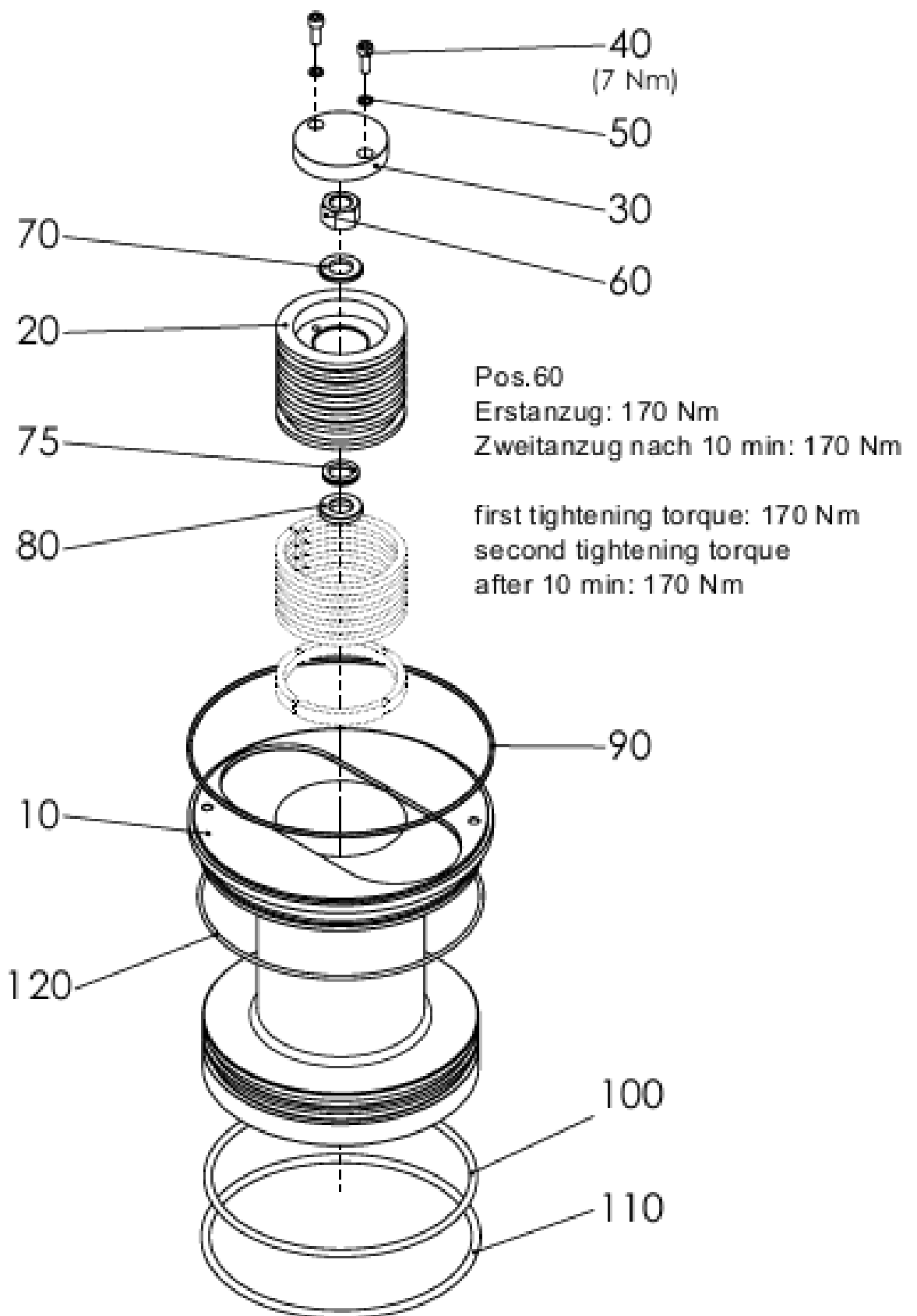
ITEM	PART NO.	DESCRIPTION	QTY
TAG NO.			
		Drawing CC15016 Piston and guide rings	
10	17811-CC1645	Piston ring	10
20	17811-CC1646	Guide ring	2

Drawing CC15017 Working valves



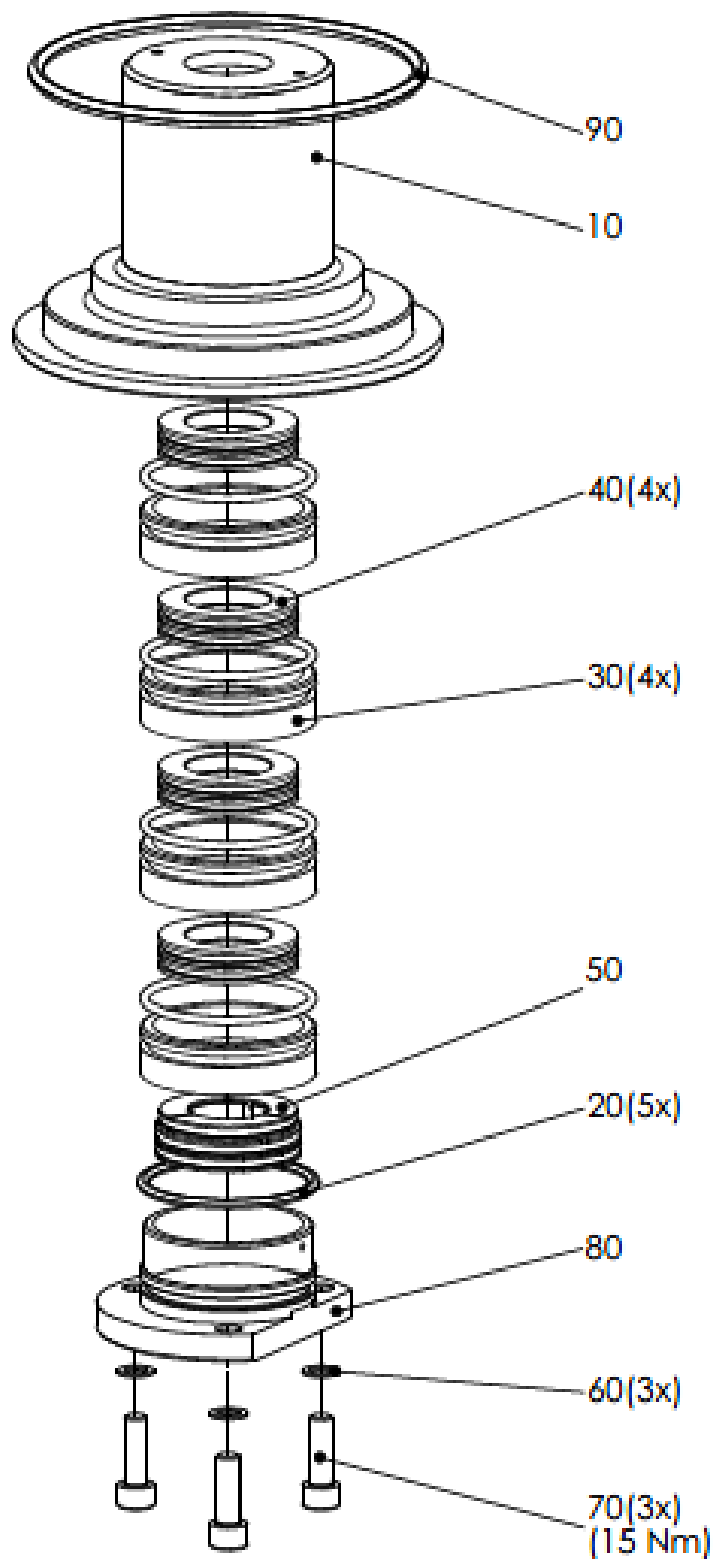
ITEM	PART NO.	DESCRIPTION	QTY
TAG NO.			
		Drawing CC15017 Working valves	
10	17811-CC1647	Suction valve	2
20	17811-CC1648	Delivery valve	2

Drawing CC15018 Piston



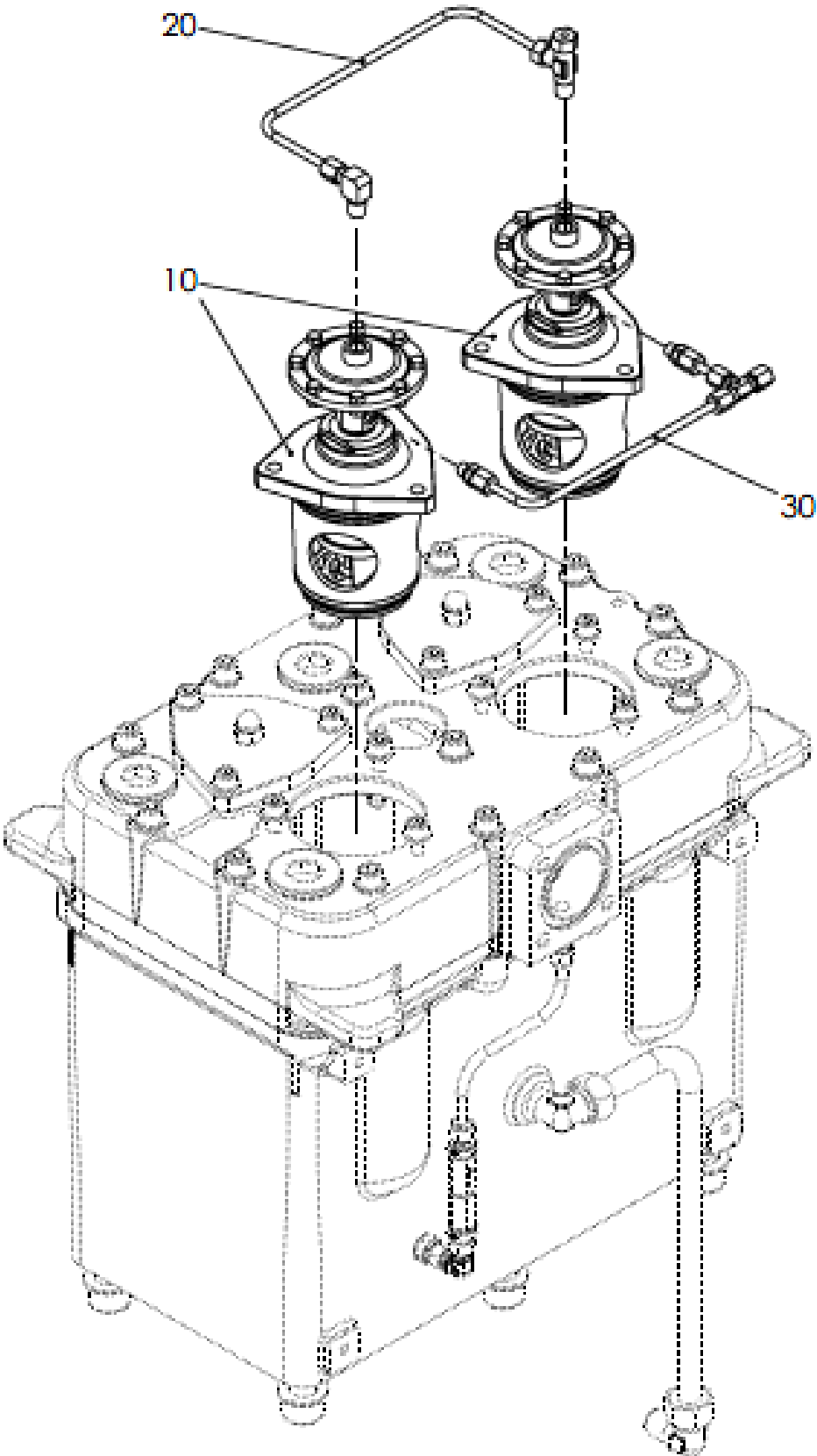
ITEM	PART NO.	DESCRIPTION	QTY
TAG NO.			
		Drawing CC15018 Piston	
10	17811-CC1649	Cylinder liner	1
20	17811-CC1650	Piston barrel	1
30	17811-CC1651	Piston cover	1
40	17811-CC1652	Hexagon socket h.c. screw	2
50	17811-CC1653	Locking washer	2
60	17811-CC1654	Hexagon nut	1
70	17811-CC1655	Washer	1
75	17811-CC1656	Wedge lock washer	1
80	17811-CC1657	Pressure washer	1
90	17811-CC1658	O-ring	1
100	17811-CC1659	O-ring	1
110	17811-CC1660	O-ring	1
120	17811-CC1661	O-ring	1

Drawing CC15019 Gland gas



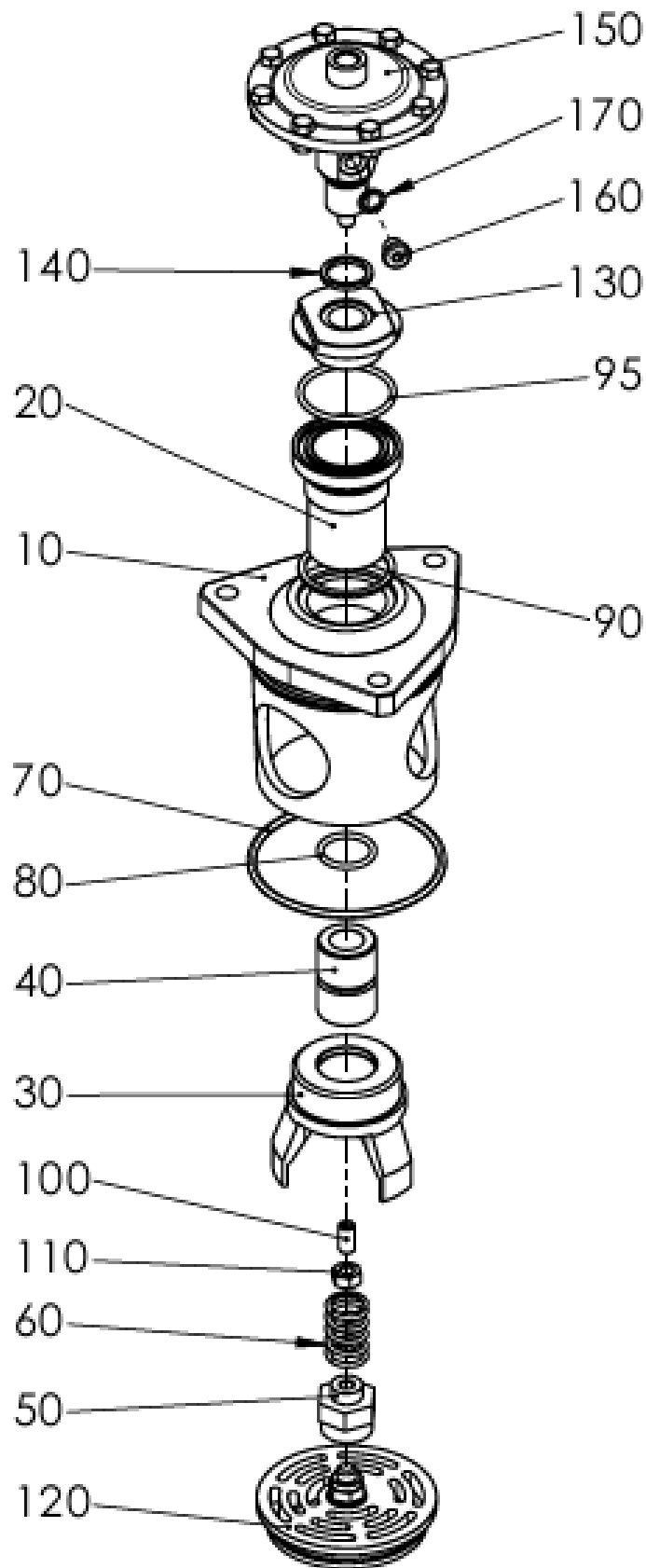
ITEM	PART NO.	DESCRIPTION	QTY
TAG NO.			
		Drawing CC15019 Gland gas	
10	17811-CC1662	Gland housing	1
20	17811-CC1663	O-ring	5
30	17811-CC1664	Gland	4
40	17811-CC1665	Segmental Ring	4
50	17811-CC1666	Segmental ring	1
60	17811-CC1667	Lock plate	3
70	17811-CC1668	Hexagon socket h.c. screw	3
80	17811-CC1669	Gland cover	1
90	17811-CC1670	O-ring	1

Drawing CC15020 Valve control



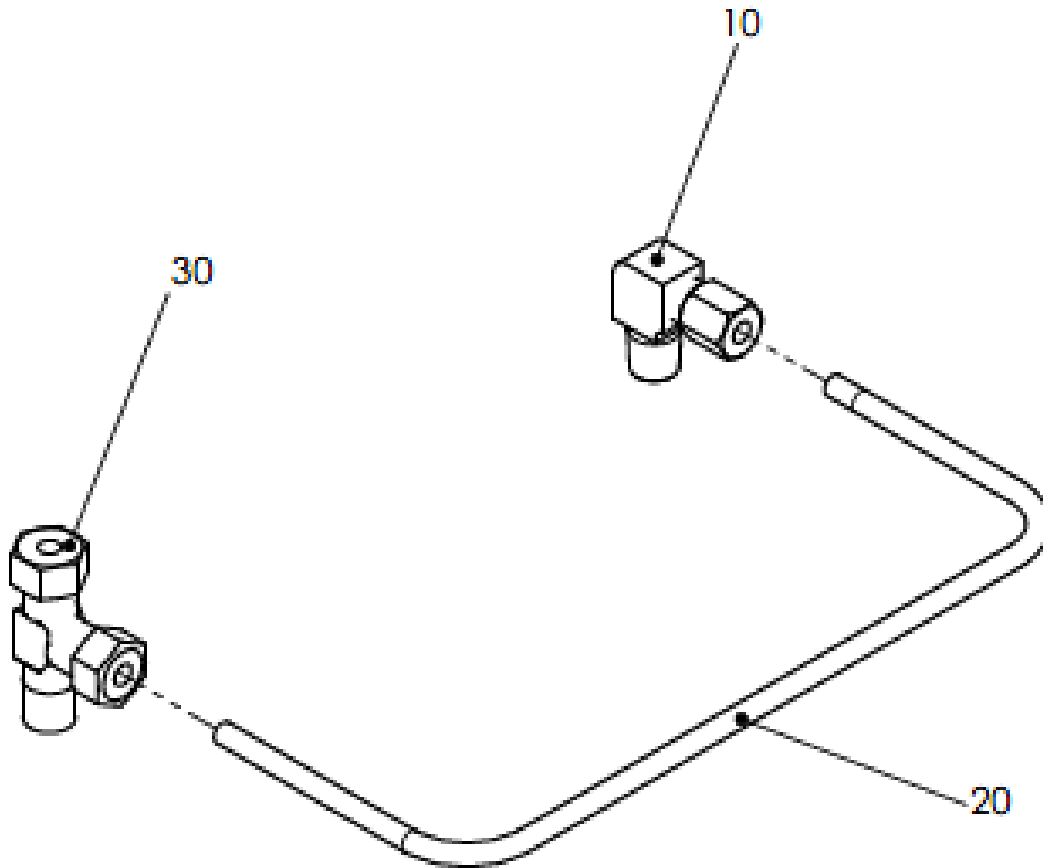
ITEM	PART NO.	DESCRIPTION	QTY
TAG NO.			
		Drawing CC15020 Valve control	
10	17811-CC1671	Valve control	2
20	17811-CC1672	Piping - valve control	1
30	17811-CC1673	Piping - valve control	1
40	17811-CC1674	Plate	1
50	17811-CC1675	Plate	1

Drawing CC15021 Valve control



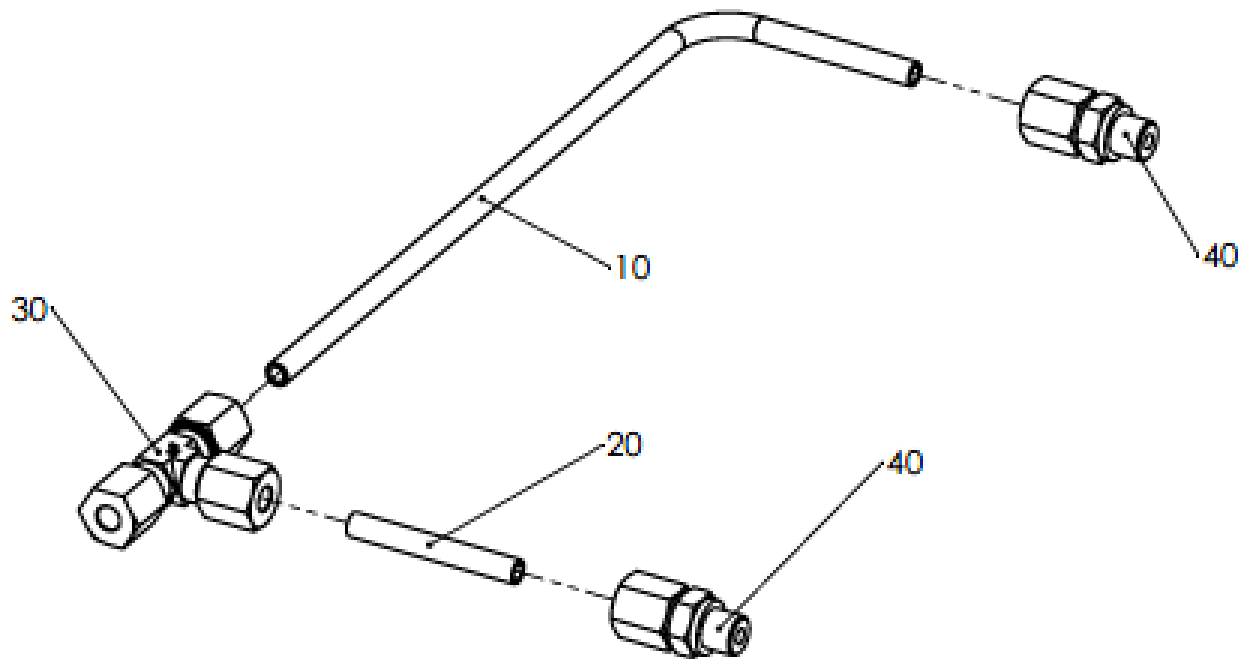
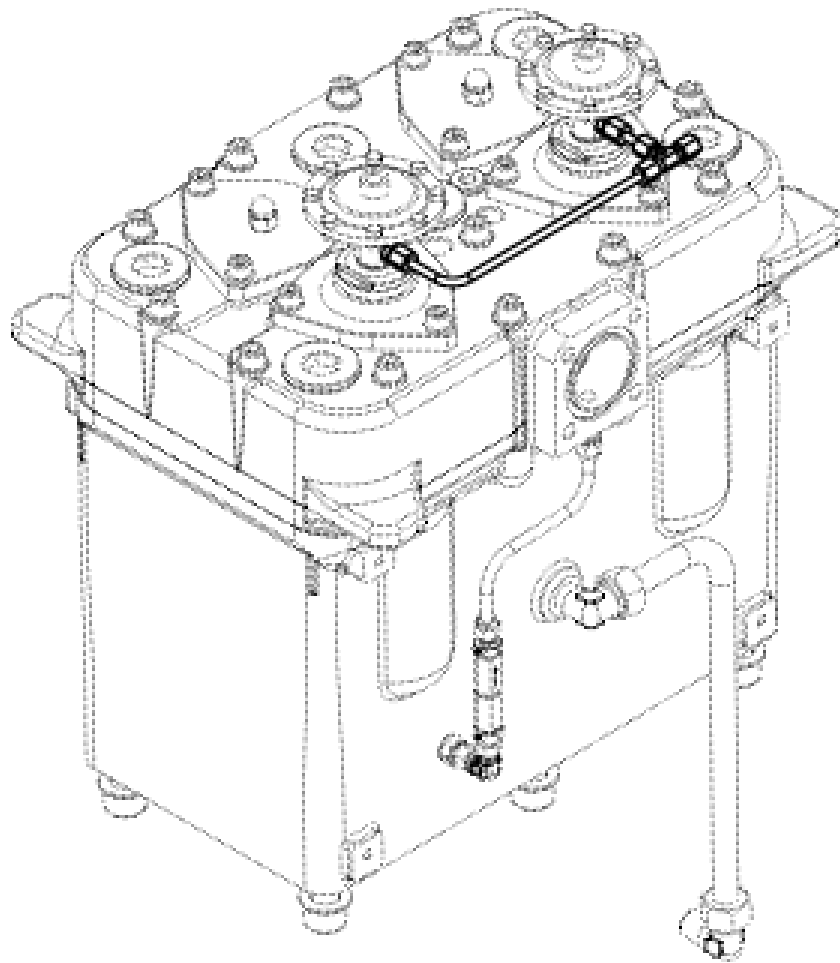
ITEM	PART NO.	DESCRIPTION	QTY
TAG NO.			
		Drawing CC15021 Valve control	
10	17811-CC1676	Cover	1
20	17811-CC1677	Liner	1
30	17811-CC1678	Unloader fork	1
40	17811-CC1679	Unloader piston	1
50	17811-CC1680	Distance bushing	1
60	17811-CC1681	Pressure spring	1
70	17811-CC1682	O-ring	1
80	17811-CC1683	O-ring	1
90	17811-CC1684	Sealing ring	1
95	17811-CC1685	O-ring	1
100	17811-CC1686	Set screw	1
110	17811-CC1687	Hexagon nut	1
120	17811-CC1688	see 1.assy Pos 30.1 resp. 30	1
130	17811-CC1689	Reduction nipple	1
140	17811-CC1690	Sealing ring	1
150	17811-CC1691	Membrane cylinder	1
160	17811-CC1692	Screw plug	1
170	17811-CC1693	Sealing ring	1

Drawing CC15022 Piping valve control



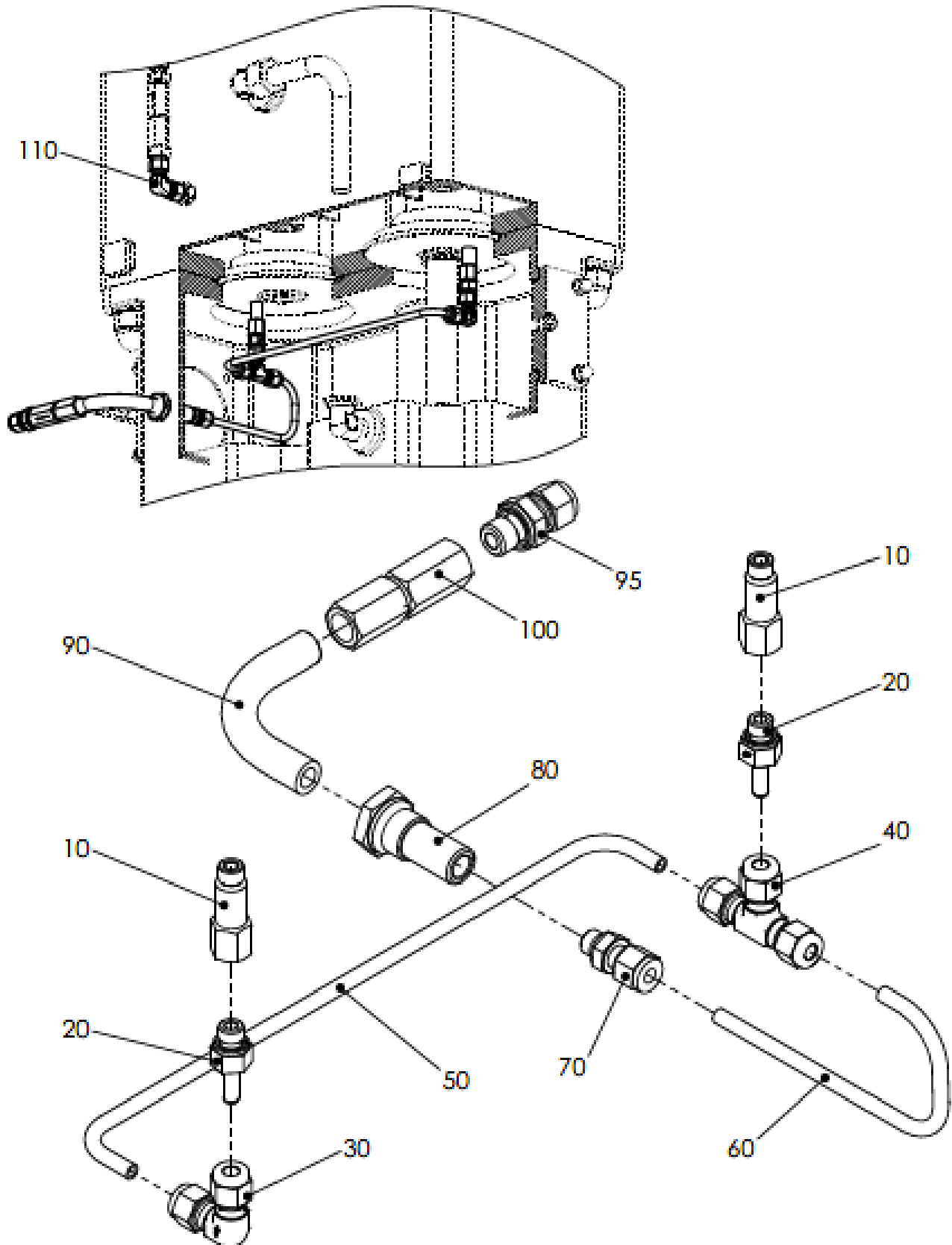
ITEM	PART NO.	DESCRIPTION	QTY
TAG NO.			
		Drawing CC15022 Piping valve control	
10	17811-CC1694	Angular threaded joint	1
20	17811-CC1695	Pipeline	1
30	17811-CC1696	L-threaded joint	1

Drawing CC15023 Piping valve control



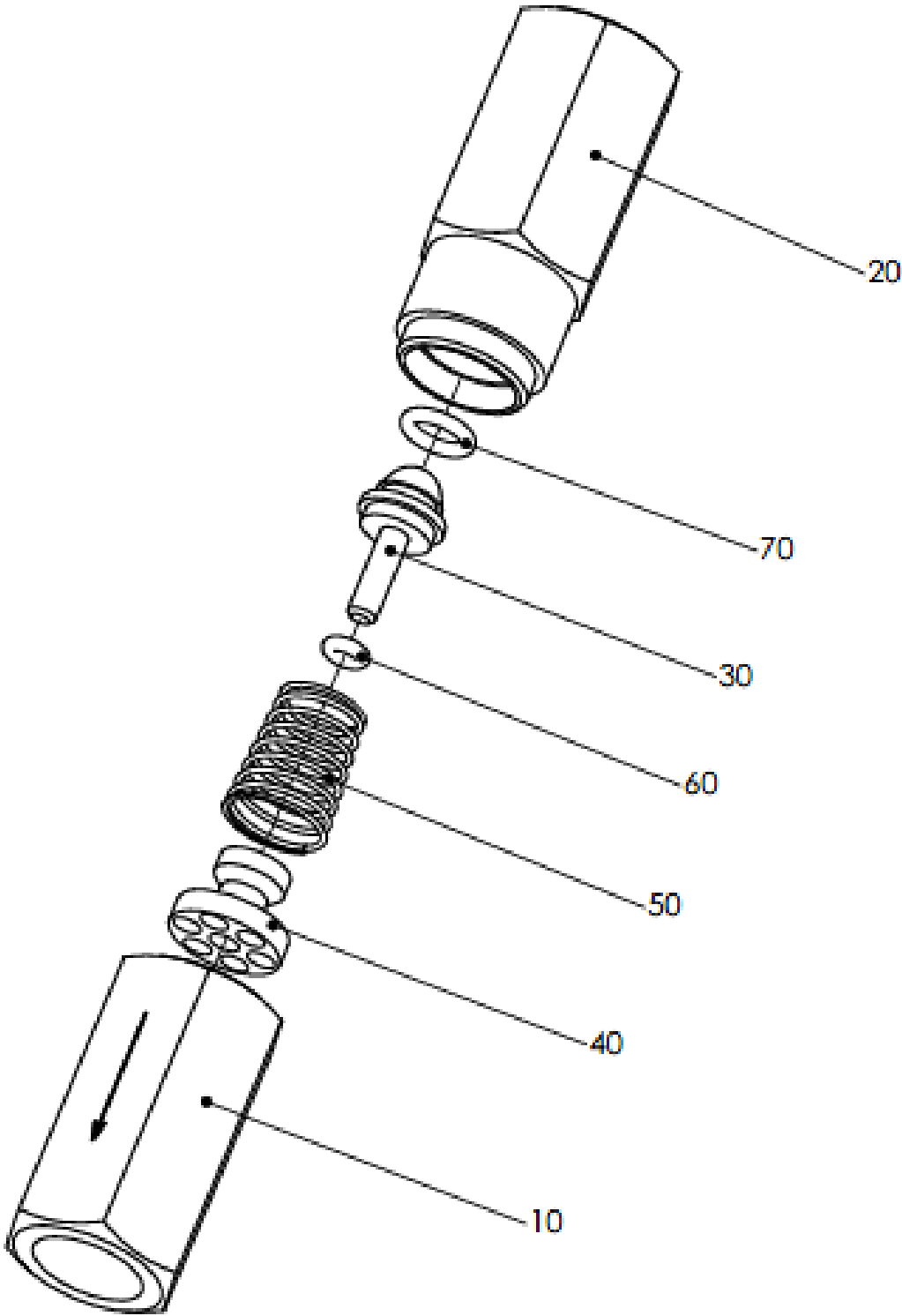
ITEM	PART NO.	DESCRIPTION	QTY
TAG NO.			
		Drawing CC15023 Piping valve control	
10	17811-CC1697	Pipeline	1
20	17811-CC1698	Pipeline	1
30	17811-CC1699	T-screw connection	1
40	17811-CC1700	Threaded joint	2

Drawing CC15024 Leak gas gland



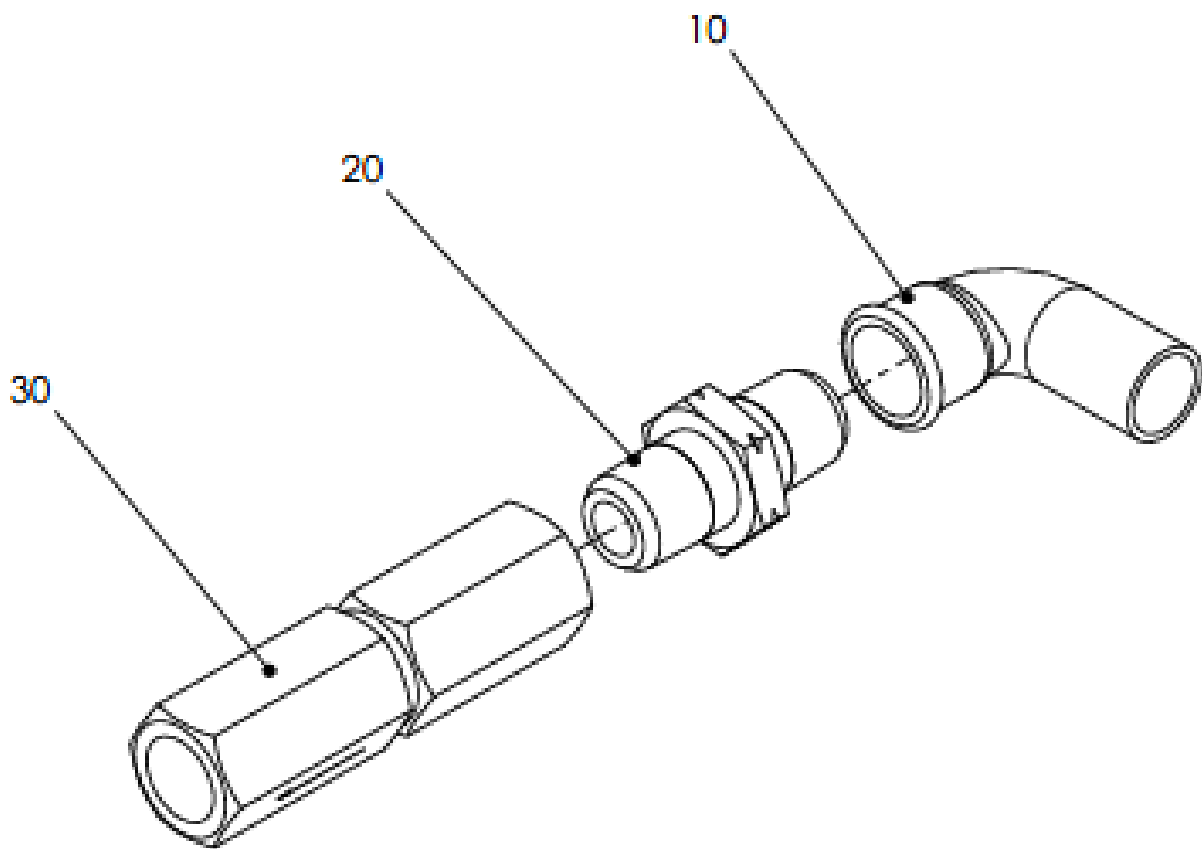
ITEM	PART NO.	DESCRIPTION	QTY
TAG NO.			
		Drawing CC15024 Leak gas gland	
10	17811-CC1701	Screwing socket	2
20	17811-CC1702	Tube adapter	2
30	17811-CC1703	Angular threaded joint	1
40	17811-CC1704	T-screw connection	1
50	17811-CC1705	Pipeline	1
60	17811-CC1706	Pipeline	1
70	17811-CC1707	Straight connection	1
80	17811-CC1708	Screwing socket	1
90	17811-CC1709	Bow	1
95	17811-CC1710	Straight connection	1
100	17811-CC1711	Non return valve	1

Drawing CC15025 Non return valve



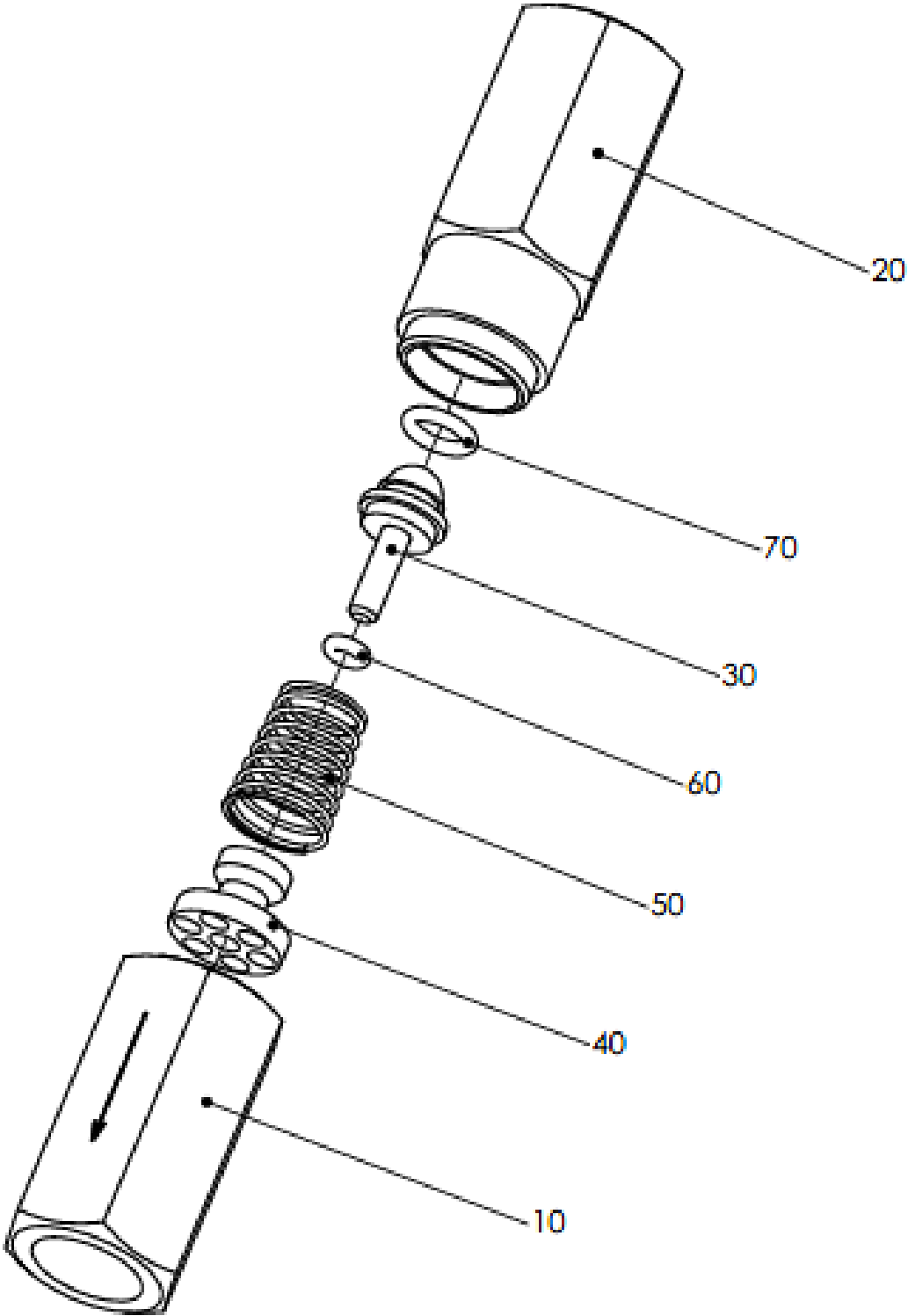
ITEM	PART NO.	DESCRIPTION	QTY
TAG NO.			
		Drawing CC15025 Non return valve	
10	17811-CC1712	Valve body	1
20	17811-CC1713	Valve body	1
30	17811-CC1714	Valve cone	1
40	17811-CC1715	Valve bushing	1
50	17811-CC1716	Pressure spring	1
60	17811-CC1717	O-ring	1
70	17811-CC1718	O-ring	1

Drawing CC15026 Leak gas latern

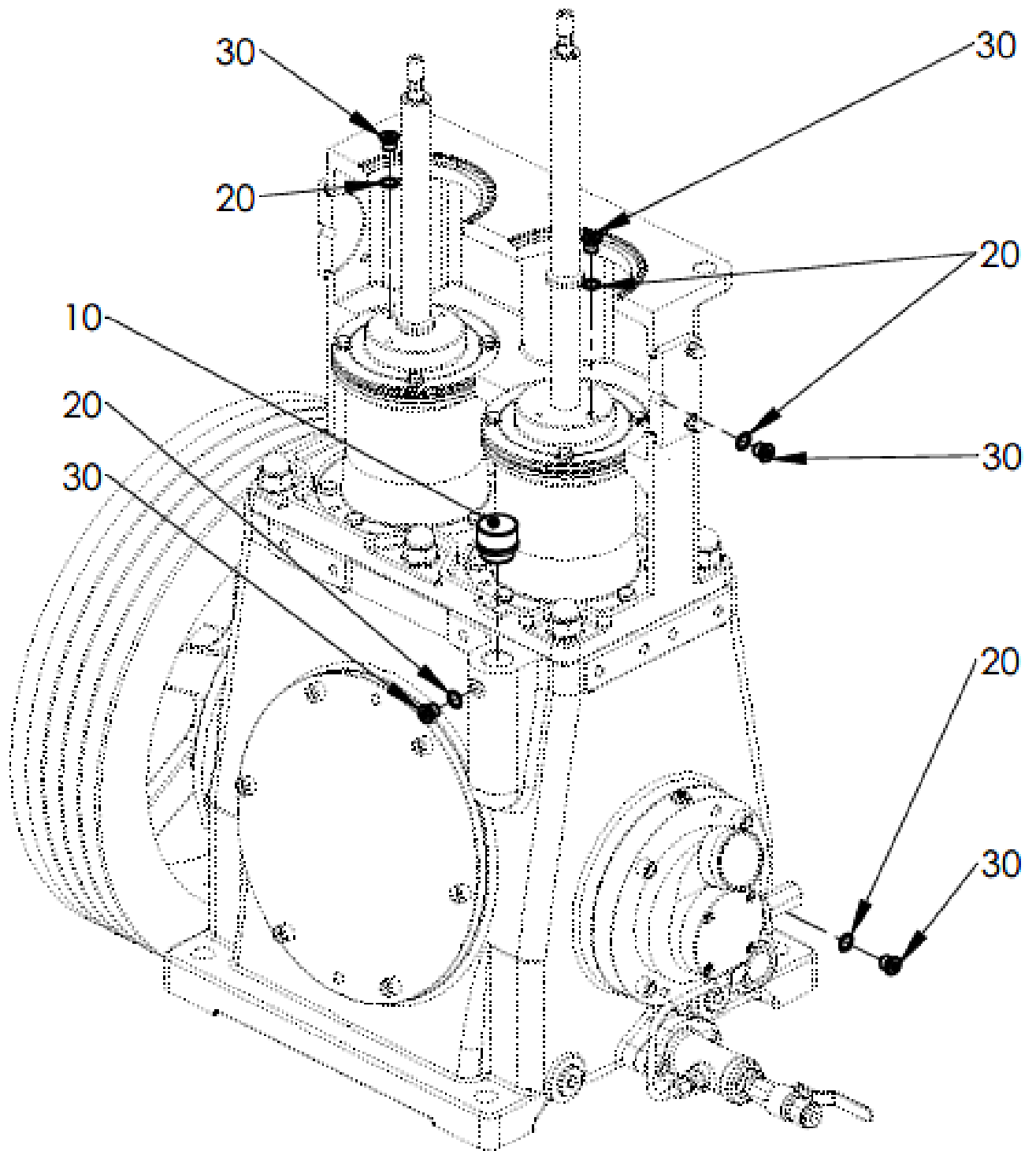


ITEM	PART NO.	DESCRIPTION	QTY
TAG NO.			
		Drawing CC15026 Leak gas latern	
10	17811-CC1719	Angle	1
20	17811-CC1720	Double nipple	1
30	17811-CC1721	Non return valve	1

Drawing CC15027 Non return valve

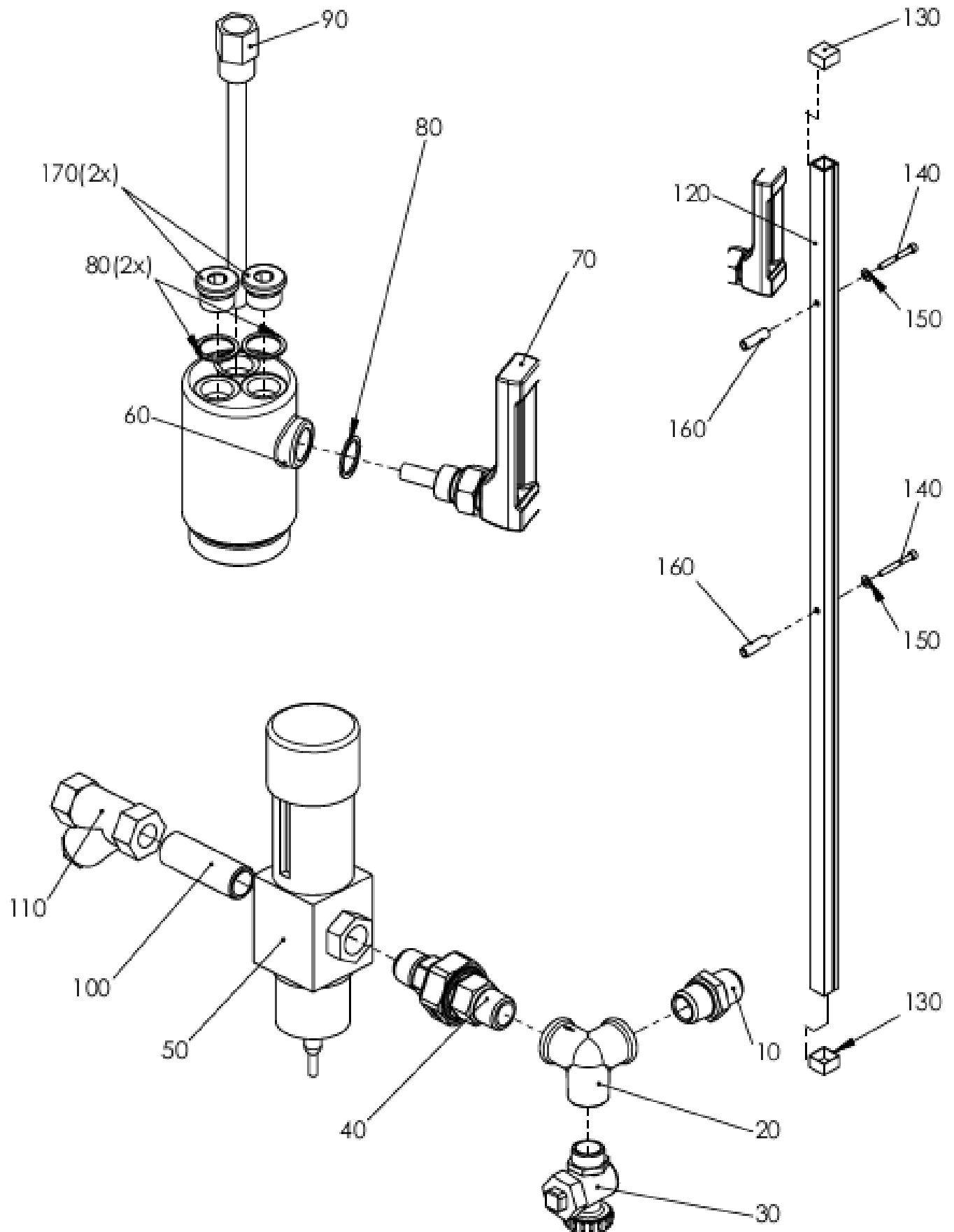


ITEM	PART NO.	DESCRIPTION	QTY
TAG NO.			
		Drawing CC15027 Non return valve	
10	17811-CC1722	Valve body	1
20	17811-CC1723	Valve body	1
30	17811-CC1724	Valve cone	1
40	17811-CC1725	Valve bushing	1
50	17811-CC1726	Pressure spring	1
60	17811-CC1727	O-ring	1
70	17811-CC1728	O-ring	1



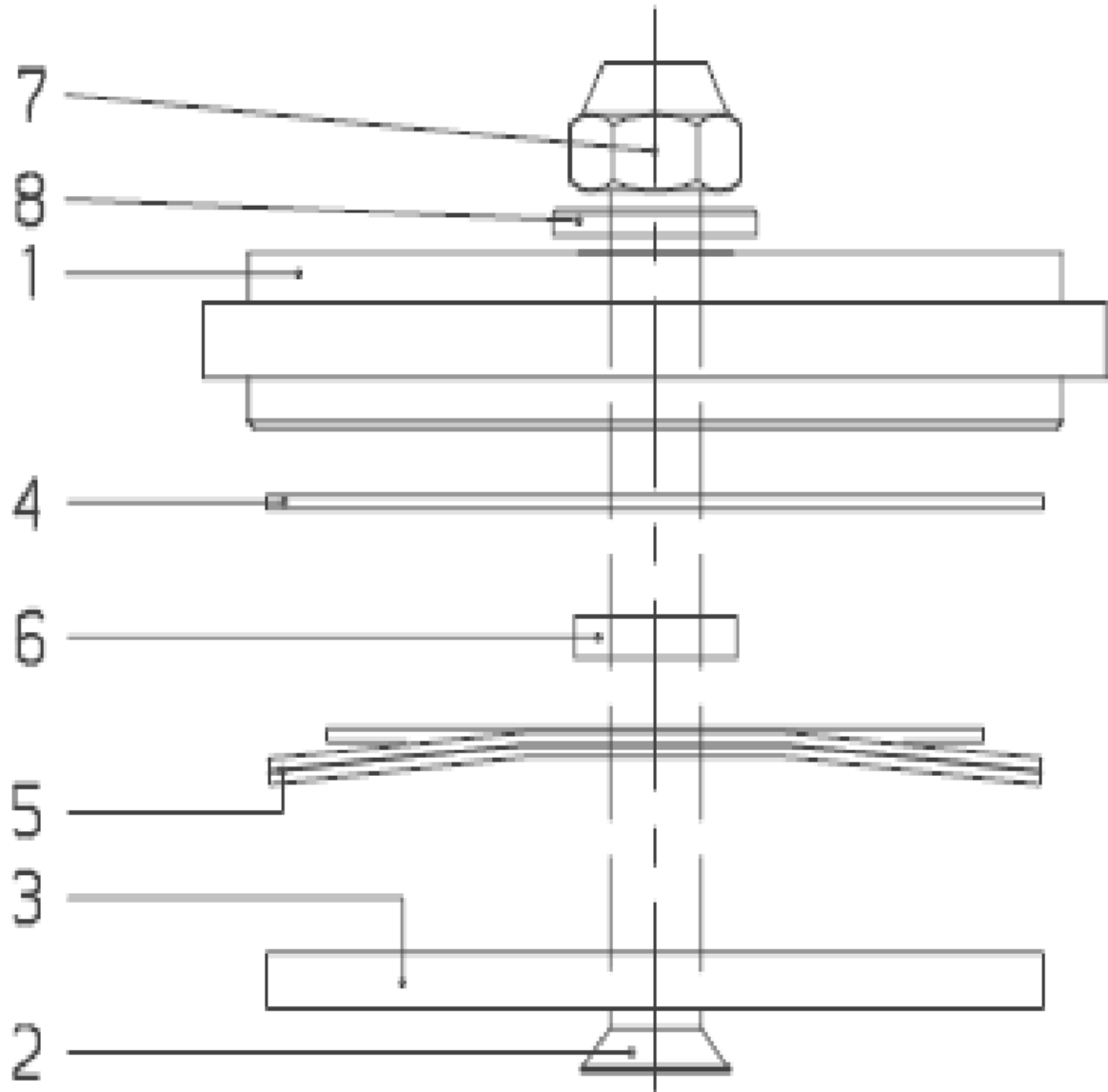
ITEM	PART NO.	DESCRIPTION	QTY
TAG NO.			
		Drawing CC15028 Without purging gas	
10	17811-CC1729	Vent screw	1
20	17811-CC1730	Sealing ring	5
30	17811-CC1731	Screw plug	5

Drawing CC15029 Cooling water connection



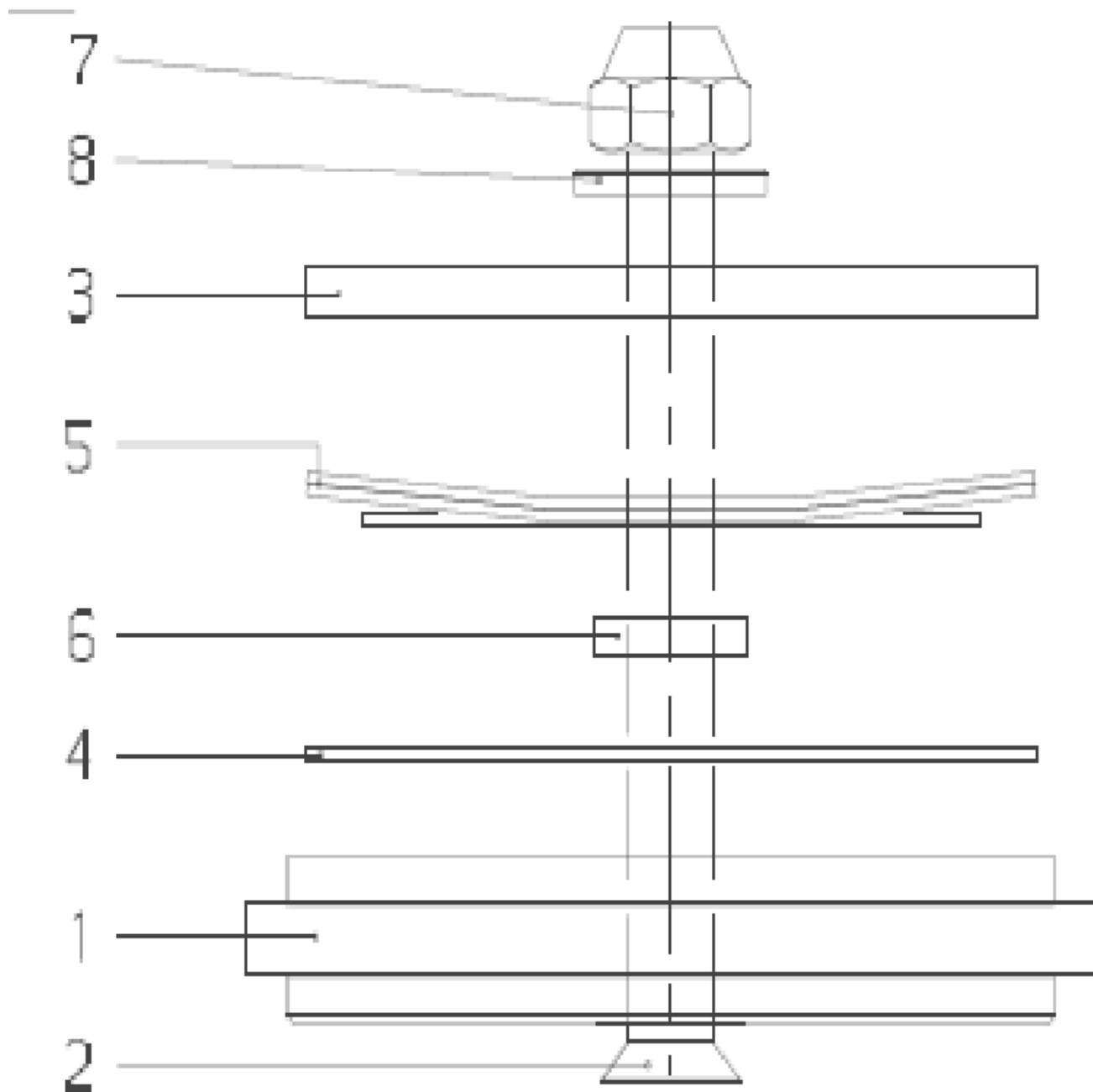
ITEM	PART NO.	DESCRIPTION	QTY
TAG NO.			
		Drawing CC15029 Cooling water connection	
10	17811-CC1732	Nipple	1
20	17811-CC1733	Angular distributor	1
30	17811-CC1734	Drain valve	1
40	17811-CC1735	Threaded joint	1
50	17811-CC1736	Thermostatic valve	1
60	17811-CC1737	Distributor	1
70	17811-CC1738	Thermometer	1
80	17811-CC1739	Sealing ring	3
90	17811-CC1740	Protective tube	1
100	17811-CC1741	Nipple	1
110	17811-CC1742	Strainer	1
120	17811-CC1743	Cable channel	0,8
130	17811-CC1744	Guard ring	2
140	17811-CC1745	Hexagon socket h.c. screw	2
150	17811-CC1746	Washer	2
160	17811-CC1747	Bush	2
170	17811-CC1748	Plug	2

Drawing CC15030 Suction Valve



ITEM	PART NO.	DESCRIPTION	QTY
TAG NO.			
		Drawing CC15030 Suction valve	
7	17811-CC1749	Castle nut	1
8	17811-CC1750	Washer	1
1	17811-CC1751	Valve seat	1
4	17811-CC1752	Valve plate	1
6	17811-CC1753	Lift washer	1
5	17811-CC1754	Spring plate	1
3	17811-CC1755	Buffle plate	1
2	17811-CC1756	Central screw	1

Drawing CC15031 Delivery Valve



ITEM	PART NO.	DESCRIPTION	QTY
TAG NO.			
		Drawing CC15031 Delivery valve	
7	17811-CC1757	Castle nut	1
8	17811-CC1758	Washer	1
3	17811-CC1759	Buffle plate	1
5	17811-CC1760	Spring plate	2
6	17811-CC1761	Lift washer	1
4	17811-CC1762	Valve plate	1
1	17811-CC1763	Valve seat	1
2	17811-CC1764	Central screw	1