




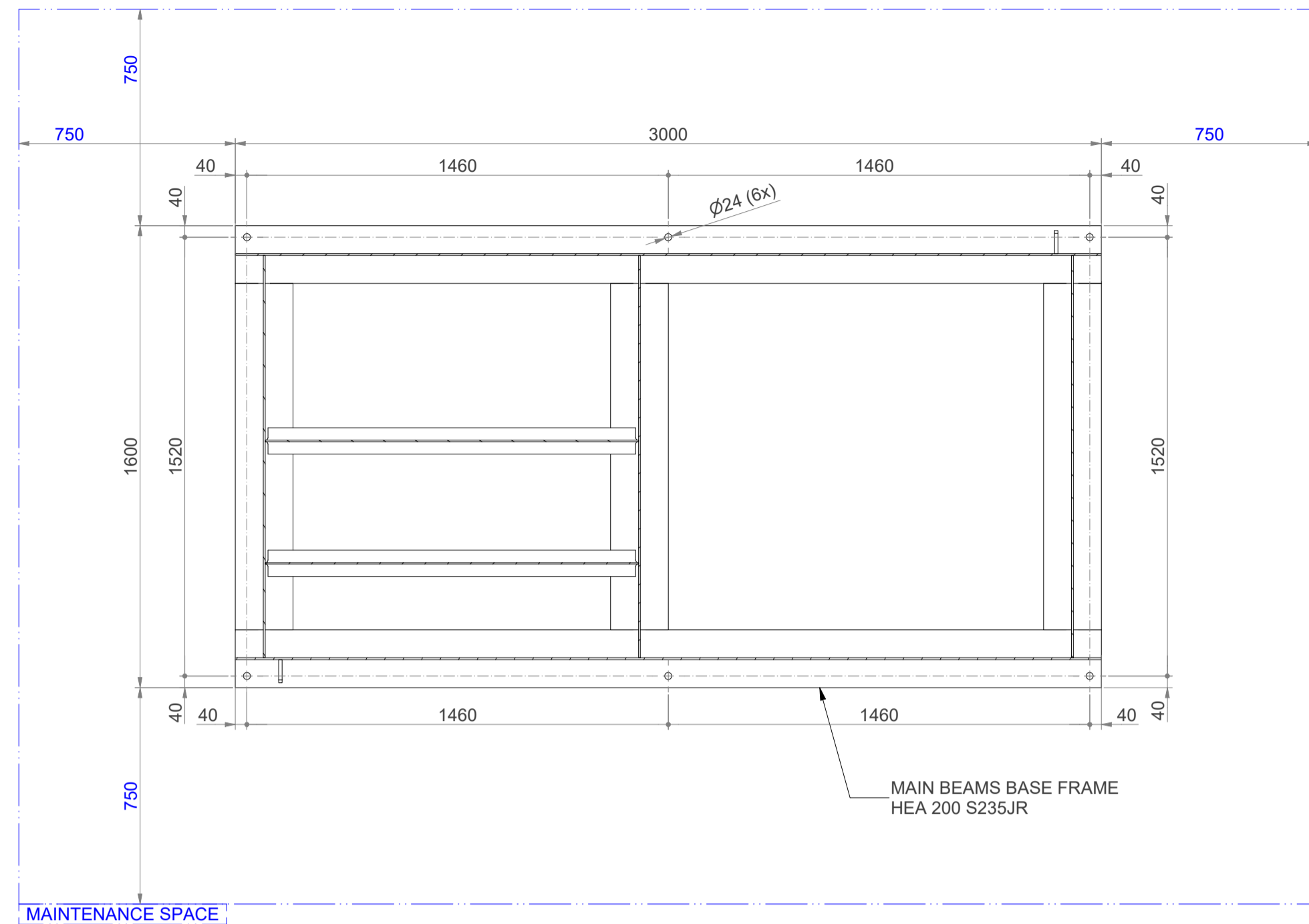
OWNER  شرکت پتروشیمی بوته‌ر	BUSHEHR PETROCHEMICAL COMPANY MEG PLANT						EPC CONTRACTOR: 		
	General Arrangement Drawing (incl foundation load details) for reciprocating compressor								
MC :  شرکت سفت و سوی توسعه ایرانیان	Project	Area	Phase	Unit	Dis.	Doc.	Seq.	Contract No : 52-98/445	
Owner Document Number: 17811-04	BU	20	VD	303	ME	DWG	0023	Rev.:	Page
								00	2 of 3

TABULATION OF REVISED PAGES

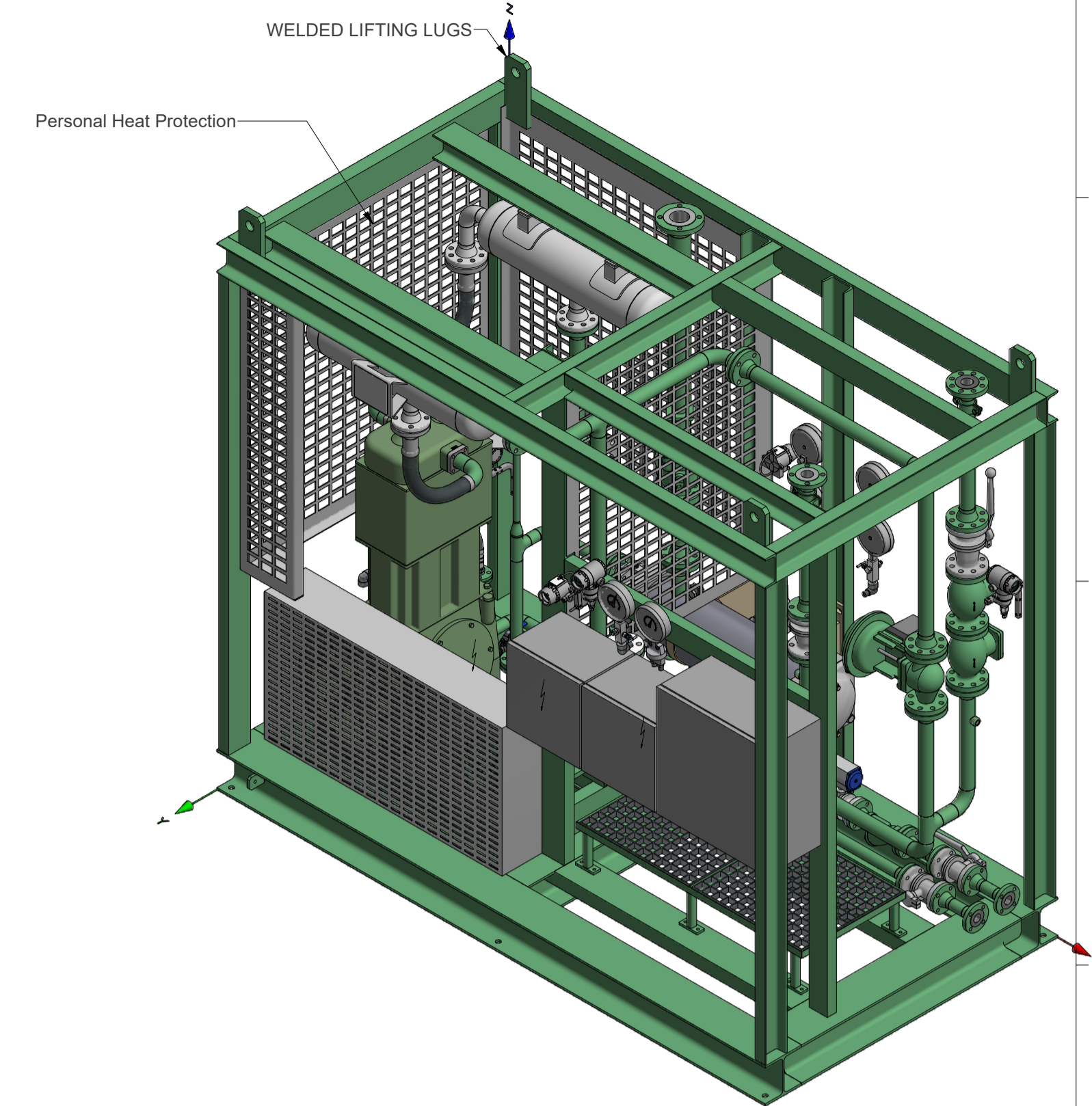
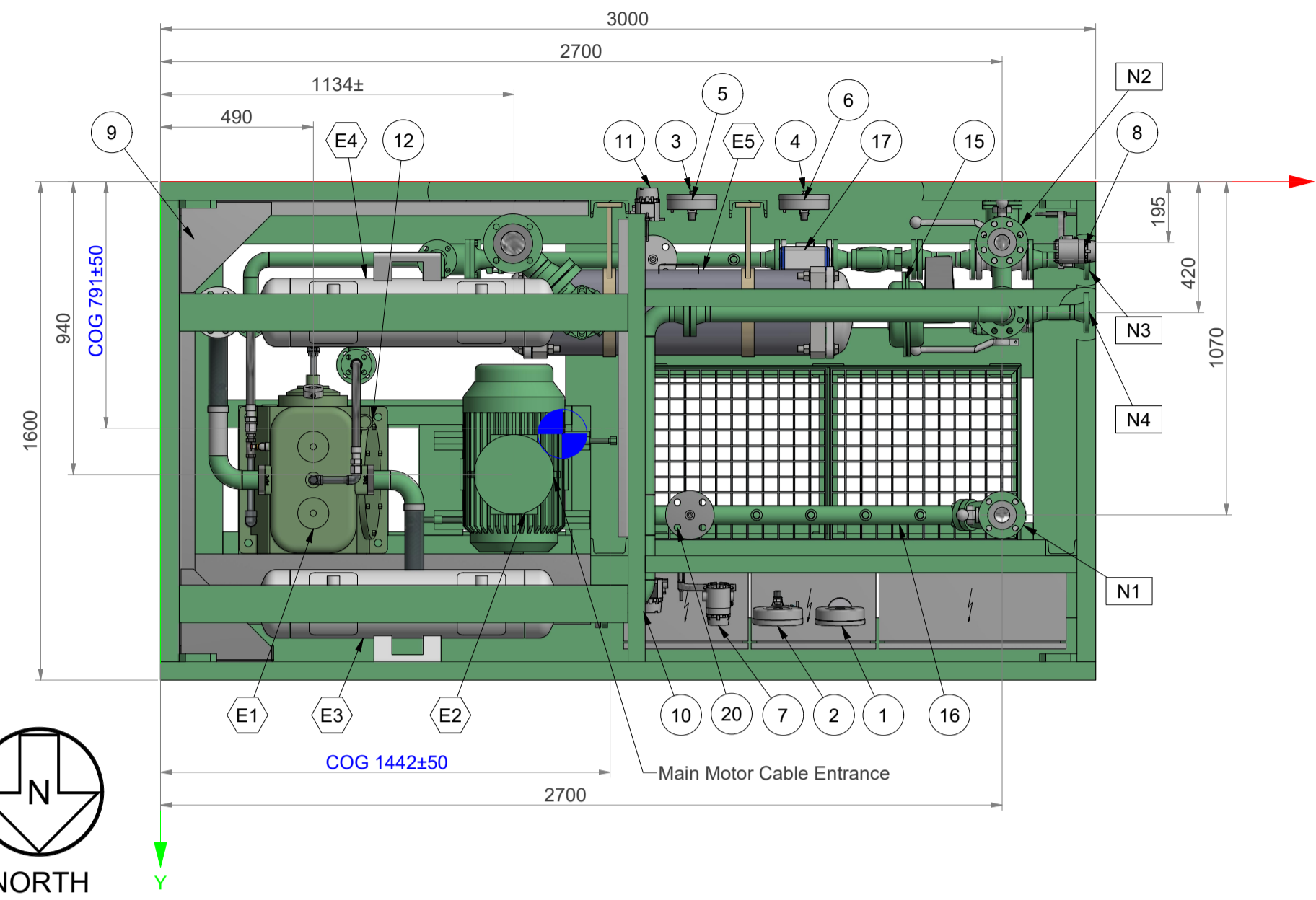
Page	D00	D01	D02	D03	D04
1.	X				
2.	X				
3.	X				
4.					
5.					
6.					
7.					
8.					
9.					
10.					
11.					
12.					
13.					
14.					
15.					
16.					
17.					
18.					
19.					
20.					
21.					
22.					
23.					
24.					
25.					
26.					
27.					
28.					
29.					
30.					
31.					
32.					
33.					
34.					

Page	D00	D01	D02	D03	D04
35.					
36.					
37.					
38.					
39.					
40.					
41.					
42.					
43.					
44.					
45.					
46.					
47.					
48.					
49.					
50.					
51.					
52.					
53.					
54.					
55.					
56.					
57.					
58.					
59.					
60.					
61.					
62.					
63.					
64.					
65.					
66.					
67.					
68.					

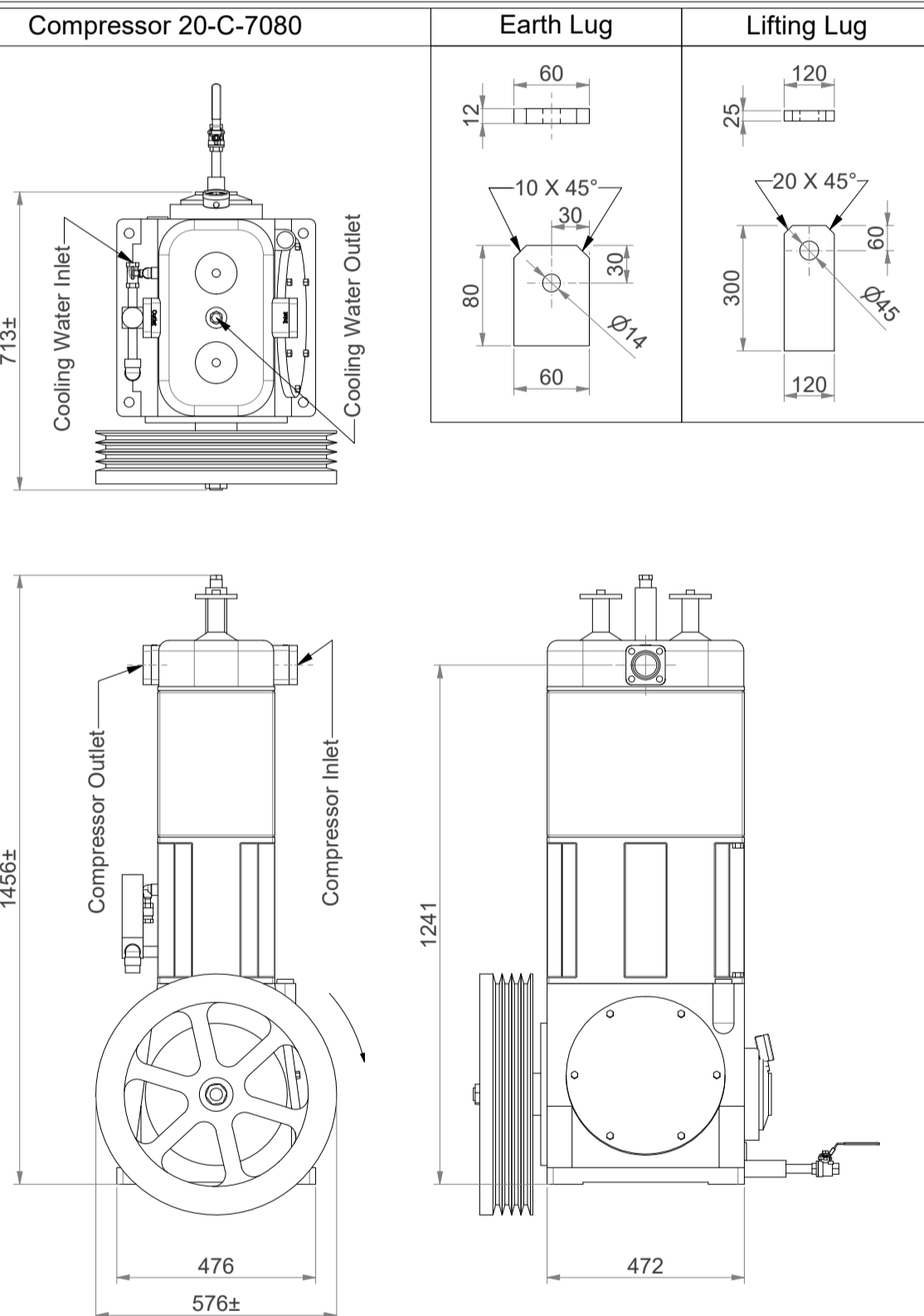
H-H (1 : 17.5)
FOUNDATION BASE FRAME



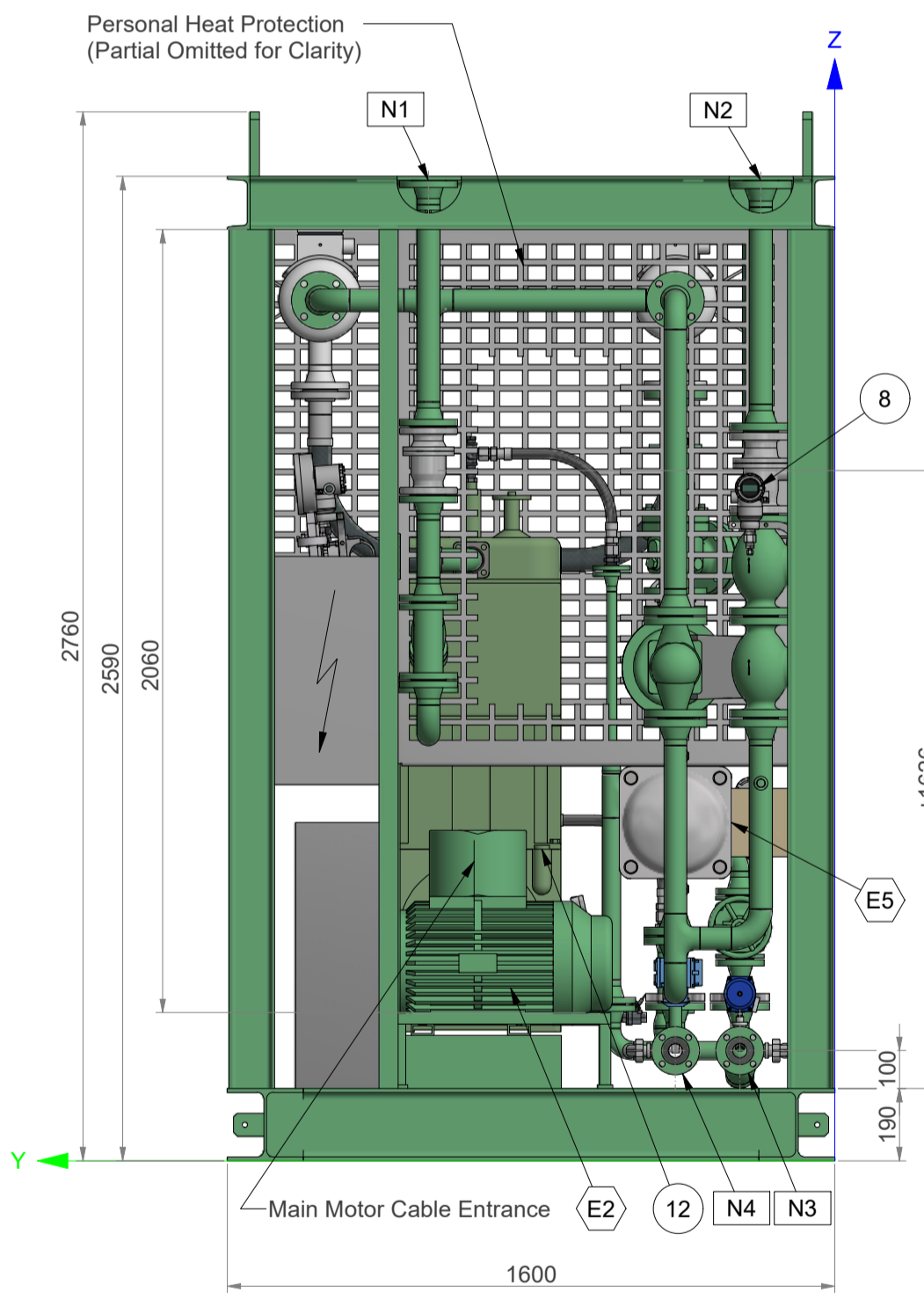
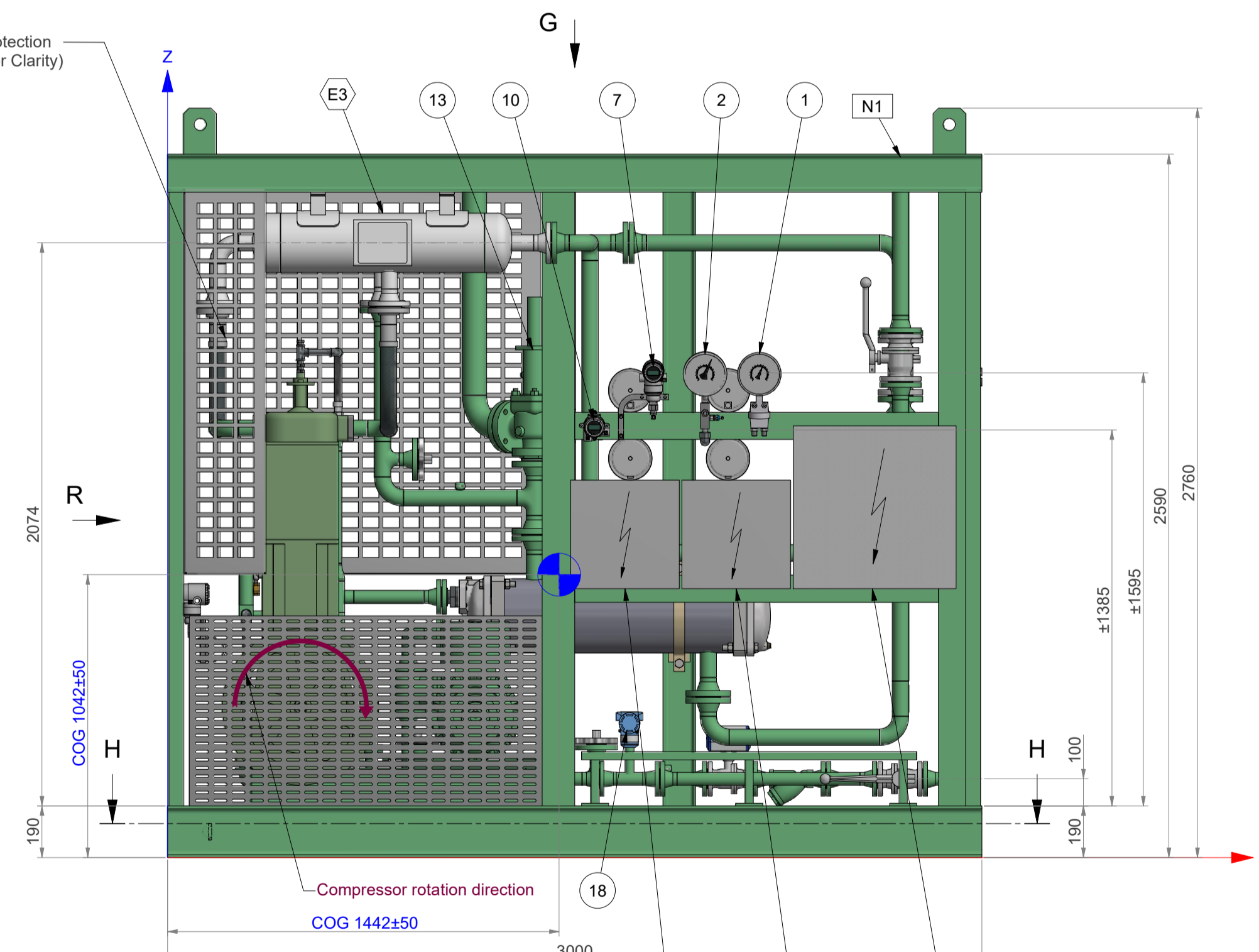
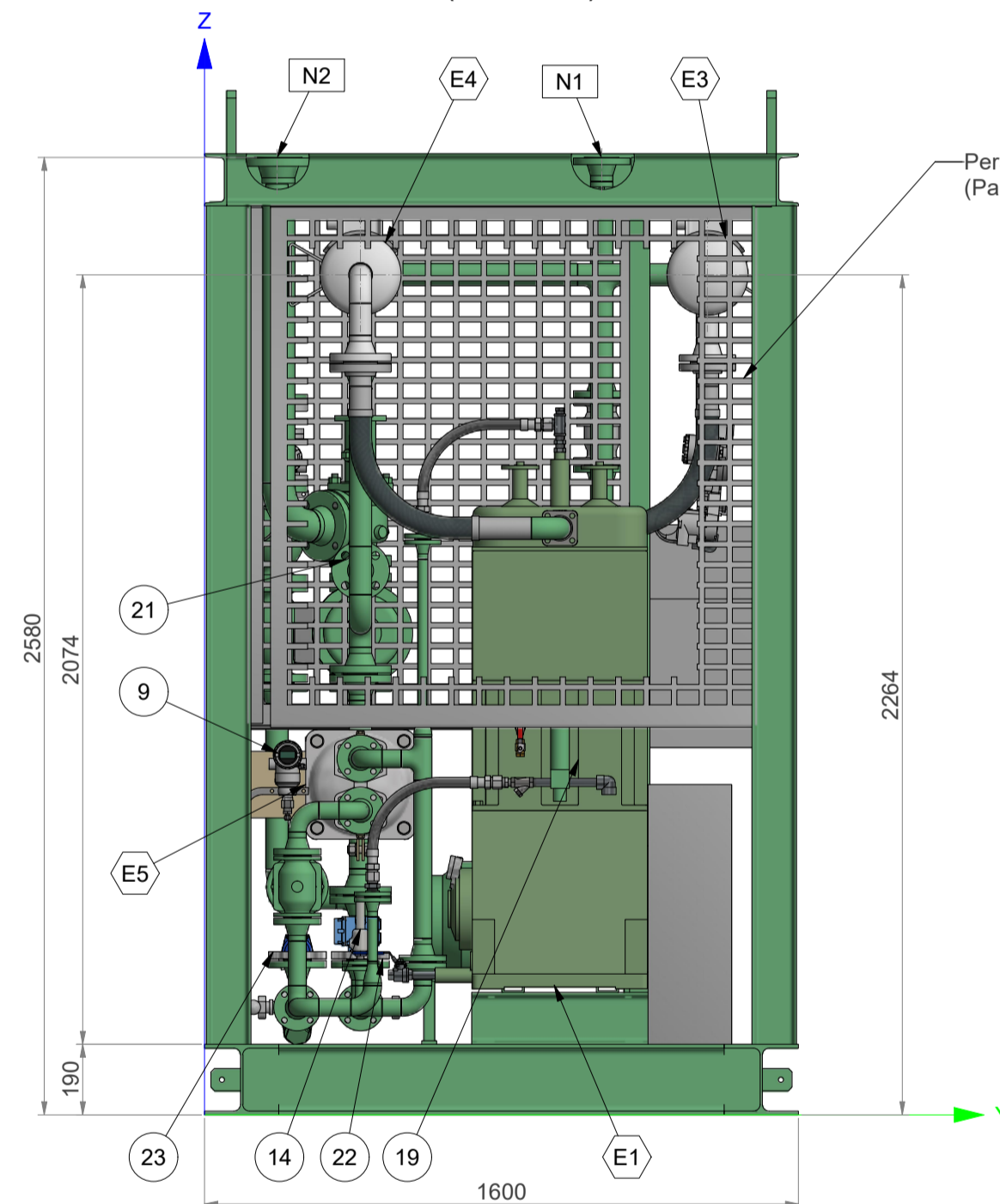
G (1 : 17.5)



DETAILS



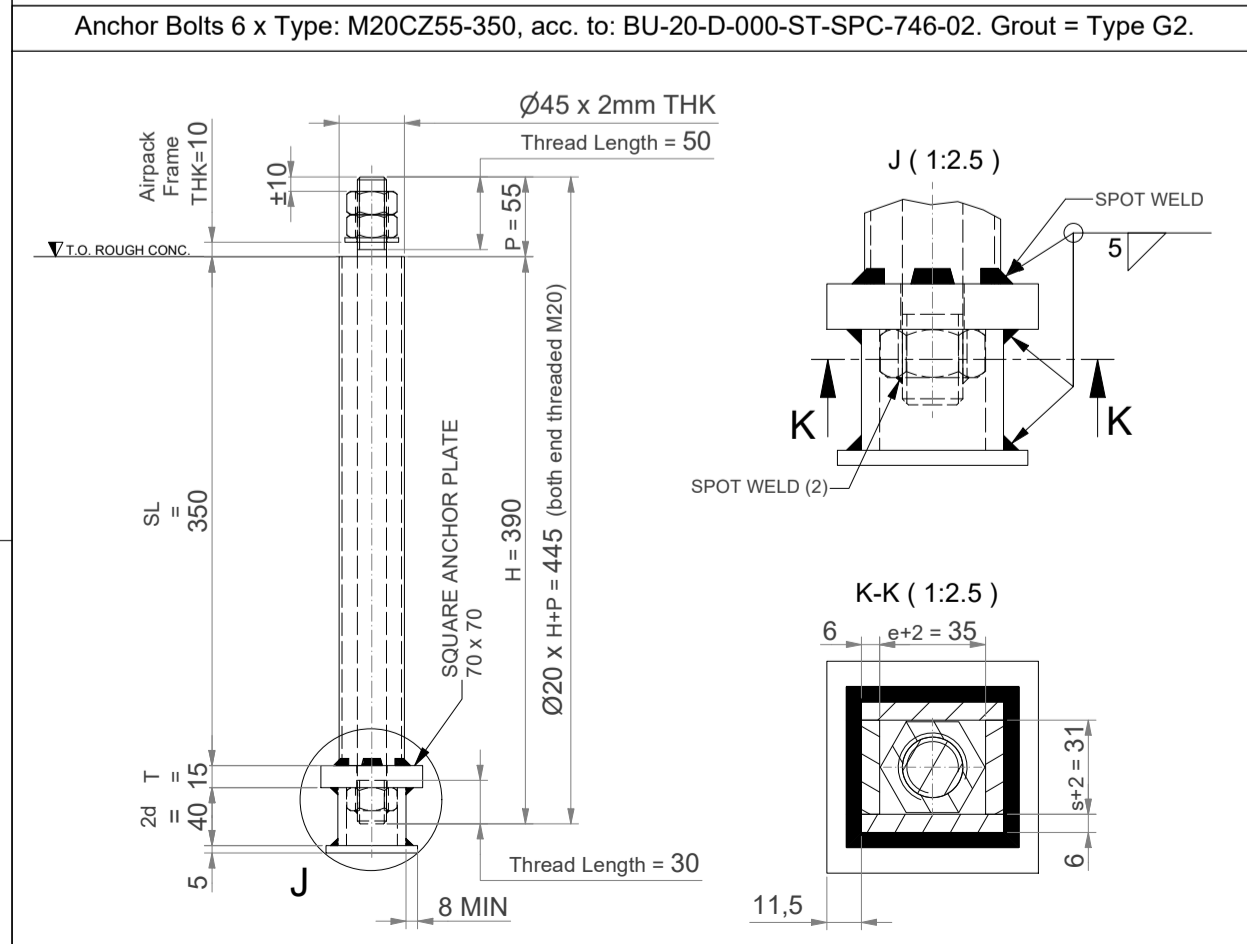
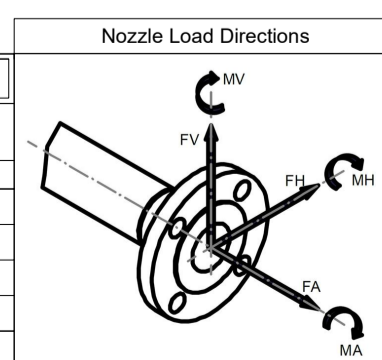
R (1 : 17.5)



INSTRUMENT DATA		
Identification nr.	DEVICE	Tag Nr. Nitrogen Comp.
1	Diff. Pressure Gauge	PDG-70001
2	Pressure Gauge	PG-70002
3	Pressure Gauge	PG-70005
4	Pressure Gauge	PG-70006
5	Temperature Gauge	TG-70003
6	Temperature Gauge	TG-70004
7	Pressure Transmitter	PIT-70003
8	Pressure Transmitter	PIT-70007
9	Pressure Transmitter	PIT-70004
10	Temperature Transmitter	TIT-70001
11	Temperature Transmitter	TIT-70002
12	Level Gauge	LG-70001
13	Pressure Safety Valve	PSV-70001
14	Pressure Safety Valve	PSV-70002
15	Pressure Control Valve	PCV-70001
16	Solenoid	XY-70001
17	Solenoid	XY-70002
18	Flow Transmitter	FT-70001
19	Vibration Transmitter	VT-70001
20	Thermowell	TW-70001
21	Thermowell	TW-70002
22	Thermowell	TW-70003
23	Thermowell	TW-70004

EQUIPMENT DATA			
Identification nr.	Description	Weight ± (Kg)	Tag Nr. Nitrogen Comp.
16	Solenoid	180	20-C-7080
17	Solenoid	211	20-C-7002-M
18	Flow Transmitter	70	20-DC-7002-2
19	Vibration Transmitter	75	20-AEC-7002-1

NOZZLE DATA														
Tie - in Point	Nozzle	Size	Rating	Type	Material	Max. allowable nozzle loads (kN)					Nozzle coordinates (mm)			
						FH	FA	FV	MH	MA	MV	X	Y	Z
Air/Nitrogen Inlet	N1	2" ANSI/ASME Sch80	150#	WN-RF	A/SA105N	2	2	2	0.9	2	0.9	2700	1070	2580
Air/Nitrogen Outlet	N2	2" ANSI/ASME Sch80	300#	WN-RF	A/SA105N	2	2	2	0.9	2	0.9	2700	195	2580
Cooling Water Inlet	N3	1 1/2" ANSI/ASME Sch80	150#	WN-RF	A/SA105N	1.5	1.5	1.5	0.5	1.5	0.5	2980	250	290
Cooling Water Outlet	N4	1 1/2" ANSI/ASME Sch80	150#	WN-RF	A/SA105N	1.5	1.5	1.5	0.5	1.5	0.5	2980	420	290



ESTIMATED OPERATIONAL WEIGHT = 3.000KG
HEAVIEST MAINTENANCE PART = 211KG
ESTIMATED STATIC LOAD = 29.4KN
DYNAMIC LOAD IS NEGLIGIBLE DUE TO THE SIZE OF THE BASE FRAME.

Subject: FOOTPRINT of INSTRUMENT AIR COMPRESSOR PACKAGE 20-C-7080

Client: Bushehr Petrochemical Company (BUPC)

Client Doc. No: MEG20-PO-BP303-021

Project: INSTRUMENT AIR COMPRESSOR PACKAGE 20-C-7080

Projection: First Angle

Scale: 1:1

Client Ref: 17811-COM

Client Doc. No: 17811-Footprint-Air Comp-1

Sheet 1 of 1