






OWNER:  شرکت سست و سوهی توهره ایرانیاان (سهایی نیاان)	BUSHEHR PETROCHEMICAL COMPANY MEG PLANT	EPC CONTRACTOR:  Chagalesh-Enerehimi-Steam Joint Venture BUPC-MEG PLANT PROJECT																				
MC :   شرکت سست و سوهی توهره ایرانیاان (سهایی نیاان)	LOGIC DIAGRAMS-PROGRAM OF UCP - COMPRESSOR SHUTDOWN LOGIC DRAWING FOR EMERGENCY INSTRUMENT AIR COMPRESSOR																					
Owner Document Number: 17811-32B	<table border="1" style="width: 100%; text-align: center;"> <tr> <th>Project</th> <th>Area</th> <th>Phase</th> <th>Unit</th> <th>Dis.</th> <th>Doc.</th> <th>Seq.</th> </tr> <tr> <td>BU</td> <td>20</td> <td>VD</td> <td>303</td> <td>IN</td> <td>DIG</td> <td>0085</td> </tr> </table>	Project	Area	Phase	Unit	Dis.	Doc.	Seq.	BU	20	VD	303	IN	DIG	0085	<table border="1" style="width: 100%; text-align: center;"> <tr> <td colspan="2">Contract No : 52-98/445</td> </tr> <tr> <td>Rev.:</td> <td>Page</td> </tr> <tr> <td style="border: 2px solid red;">00</td> <td>1 of 15</td> </tr> </table>	Contract No : 52-98/445		Rev.:	Page	00	1 of 15
Project	Area	Phase	Unit	Dis.	Doc.	Seq.																
BU	20	VD	303	IN	DIG	0085																
Contract No : 52-98/445																						
Rev.:	Page																					
00	1 of 15																					

LOGIC DIAGRAMS-PROGRAM OF UCP - COMPRESSOR SHUTDOWN LOGIC DRAWING FOR EMERGENCY INSTRUMENT AIR COMPRESSOR

Rev. 00 is correct

00	30/11/2021	For approval	WZ	KP	JR	
00	24/11/2020	For approval	TJ	RB	JR	
Rev.	Date	Purpose of Issue	Prepared	Checked	Approved	AC Code
					Class: 1	Phase: P

SYMBOL	FUNCTION	DESCRIPTION
	AND	OUTPUT D EXISTS ONLY IF AND WHILE INPUTS A,B AND C EXIST.
	OR	OUTPUT D EXISTS ONLY IF AND WHILE ONE OR MORE OF INPUTS A,B OR C EXIST.
	XOR	OUTPUT D EXISTS ONLY IF AND WHILE ONE OF INPUTS A,B OR C EXIST.
	NOT	OUTPUT B EXISTS ONLY IF AND WHILE INPUT A DOES NOT EXIST.
	TIMER (DELAY INITIATION)	THE CONTINUOUS EXISTENCE OF INPUT A FOR TIME T CAUSES OUTPUT B TO EXIST WHEN THE TIME T EXPIRES. B TERMINATES IMMEDIATELY WHEN A TERMINATES.
	TIMER (DELAY TERMINATION)	THE EXISTENCE OF INPUT A CAUSES OUTPUT B TO EXIST IMMEDIATELY. B TERMINATES WHEN A HAS TERMINATED AND HAS NOT AGAIN EXISTED FOR TIME T.
	PULSE OUTPUT	THE EXISTENCE OF INPUT A CAUSES OUTPUT B TO EXIST IMMEDIATELY. B EXISTS FOR TIME T, REGARDLESS OF THE STATE OF A.
	FLIP-FLOP MEMORY (SET PRIORITY)	OUTPUT C EXISTS AS SOON AS A EXISTS. C CONTINUES TO EXIST, REGARDLESS OF THE SUBSEQUENT STATE OF A, UNTIL THE MEMORY IS RESET (I.E; TERMINATED BY B EXISTING) C REMAINS TERMINATED, REGARDLESS OF THE SUBSEQUENT STATE OF B, UNTIL A CAUSES THE MEMORY TO BE SET. IF A AND B EXIST SIMULTANEOUSLY, A OVERRIDES B.
	FLIP-FLOP MEMORY (RESET PRIORITY)	OUTPUT C EXISTS AS SOON AS A EXISTS. C CONTINUES TO EXIST, REGARDLESS OF THE SUBSEQUENT STATE OF A, UNTIL THE MEMORY IS RESET (I.E; TERMINATED BY B EXISTING) C REMAINS TERMINATED, REGARDLESS OF THE SUBSEQUENT STATE OF B, UNTIL A CAUSES THE MEMORY TO BE SET. IF A AND B EXIST SIMULTANEOUSLY, B OVERRIDES A.
		LOGIC CONNECTION
		NO CONNECTION
		SERIAL LINK / FOUNDATION FIELDBUS PROTOCOL

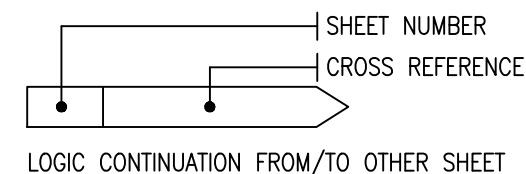
SYMBOL	DESCRIPTION
	EMERGENCY PUSHBUTTON, RED HEAD, STAY PUT.
	TOGGLE SWITCH
	PUSHBUTTON MOMENTARILY MAKE
	PUSHBUTTON MOMENTARILY BREAK
	CONTACT NORMALLY OPEN
	CONTACT NORMALLY CLOSED
	HARDWIRED INPUT/OUTPUT
	SOLENOID VALVE, 3-WAY
	DISTRIBUTED CONTROL SYSTEM
	PLC CONTROL SYSTEM
	DCS AUXILIARY CONSOLE
	LAMP
	HMI
	AUDIBLE ALARM
	RELAY COIL

ABBREVIATIONS

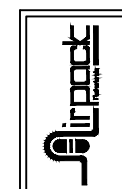
DCS : DISTRIBUTED CONTROL SYSTEM
 UCP : UNIT CONTROL PANEL
 LCP : LOCAL CONTROL PANEL
 PLC : PROGRAMMABLE LOGIC CONTROLLER
 I/P : INPUT
 O/P : OUTPUT
 ESD : EMERGENCY SHUTDOWN
 MCC : MOTOR CONTROL CENTRE

GENERAL NOTES

- SHUTDOWN CONDITION ;
0 = SHUTDOWN 1 = OPERATING
- ALARM/TRIP CONDITION ;
0 = ALARM 1=NORMAL
0 = TRIP 1=NORMAL
- REMOTE/LOCAL CONDITION ;
0 = LOCAL 1=REMOTE

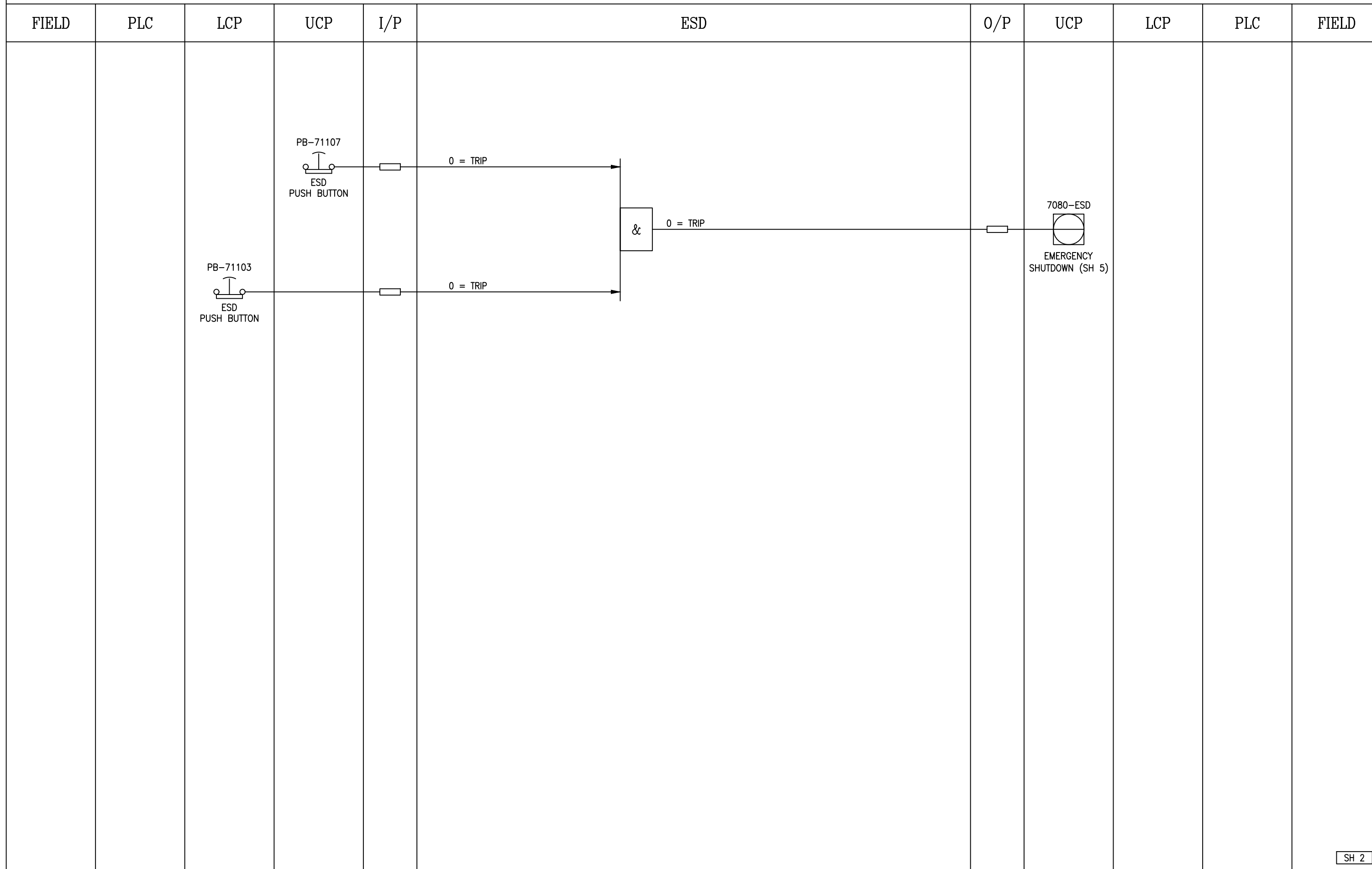


SH 1



SUBJECT BUSHEHR PETROCHEMICAL COMPANY MEG PLANT EMERGENCY INSTRUMENT AIR COMPRESSOR		DATE 20-11-2020	THIS DRAWING IS OWNED BY AIRPACK AND SHALL NOT BE PRINTED OR COPIED IN ANY OTHER WAY THAN WITH AIRPACKS PERMISSION			
		DRAWN BY TJ				
		CHECKED BY KP				
CLIENT BUSHEHR PETROCHEMICAL COMPANY (BUPC)	PLANT LOCATION IRAN	DRAWING NO. 17811-32B				
CLIENT REF 20-C-7080	SHEETNO. 01 /13					
AIRPACK REF 17811						
				REV 01 29-11-2021 WZ		
				REV 00 20-11-2020 TJ		

LOGIC DIAGRAM

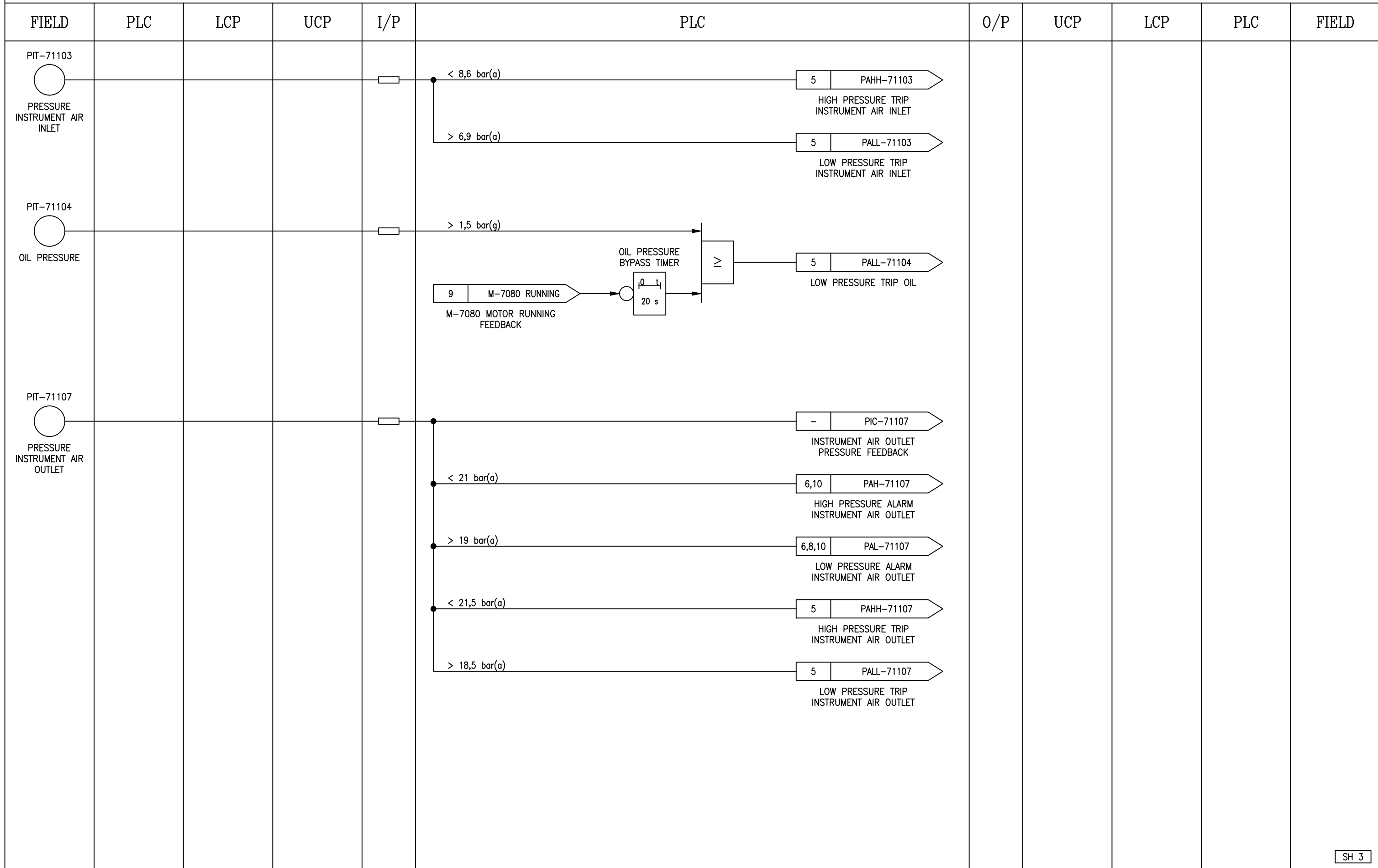


SH 2

NOTES:

	SUBJECT BUSHEHR PETROCHEMICAL COMPANY MEG PLANT EMERGENCY INSTRUMENT AIR COMPRESSOR		DATE	20-11-2020	
			DRAWN BY	TJ	
			CHECKED BY	KP	
	CLIENT	BUSHEHR PETROCHEMICAL COMPANY (BUPC)	PLANT LOCATION	IRAN	
CLIENT REF	20-C-7080	DRAWING NO.	17811-32B		
AIRPACK REF	17811	SHEETNO.	02 / 13		
			THIS DRAWING IS OWNED BY AIRPACK AND SHALL NOT BE PRINTED OR COPIED IN ANY OTHER WAY THAN WITH AIRPACKS PERMISSION		
			REV 01	29-11-2021	WZ
			REV 00	20-11-2020	TJ

LOGIC DIAGRAM



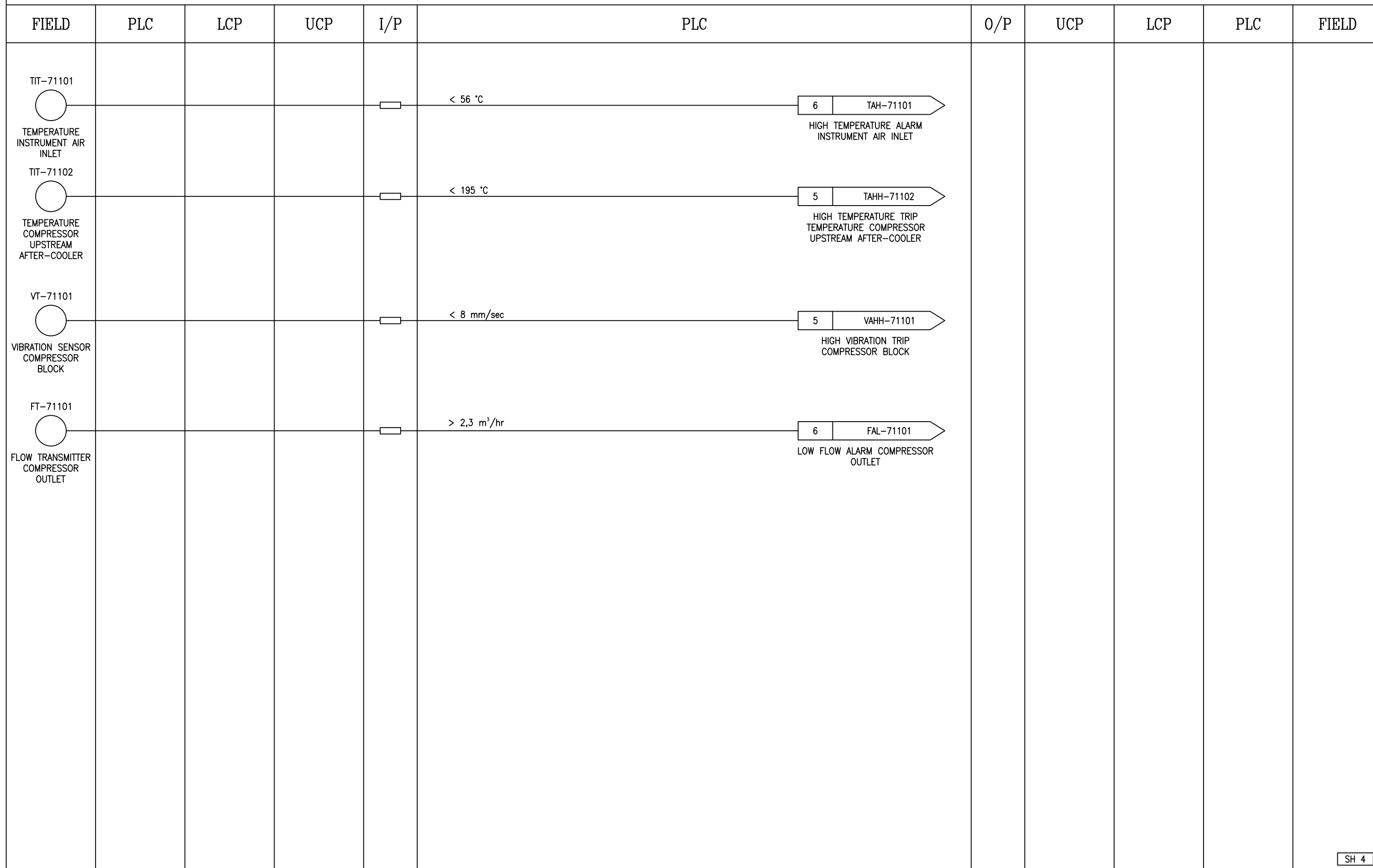
SH 3

NOTES:



SUBJECT BUSHEHR PETROCHEMICAL COMPANY MEG PLANT EMERGENCY INSTRUMENT AIR COMPRESSOR		DATE 20-11-2020	THIS DRAWING IS OWNED BY AIRPACK AND SHALL NOT BE PRINTED OR COPIED IN ANY OTHER WAY THAN WITH AIRPACKS PERMISSION
		DRAWN BY TJ	
		CHECKED BY KP	
		PLANT LOCATION IRAN	
CLIENT BUSHEHR PETROCHEMICAL COMPANY (BUPC)	CLIENT REF 20-C-7080	DRAWING NO. 17811-32B	REV 01 29-11-2021 WZ
AIRPACK REF 17811		SHEETNO. 03 /13	REV 00 20-11-2020 TJ

LOGIC DIAGRAM

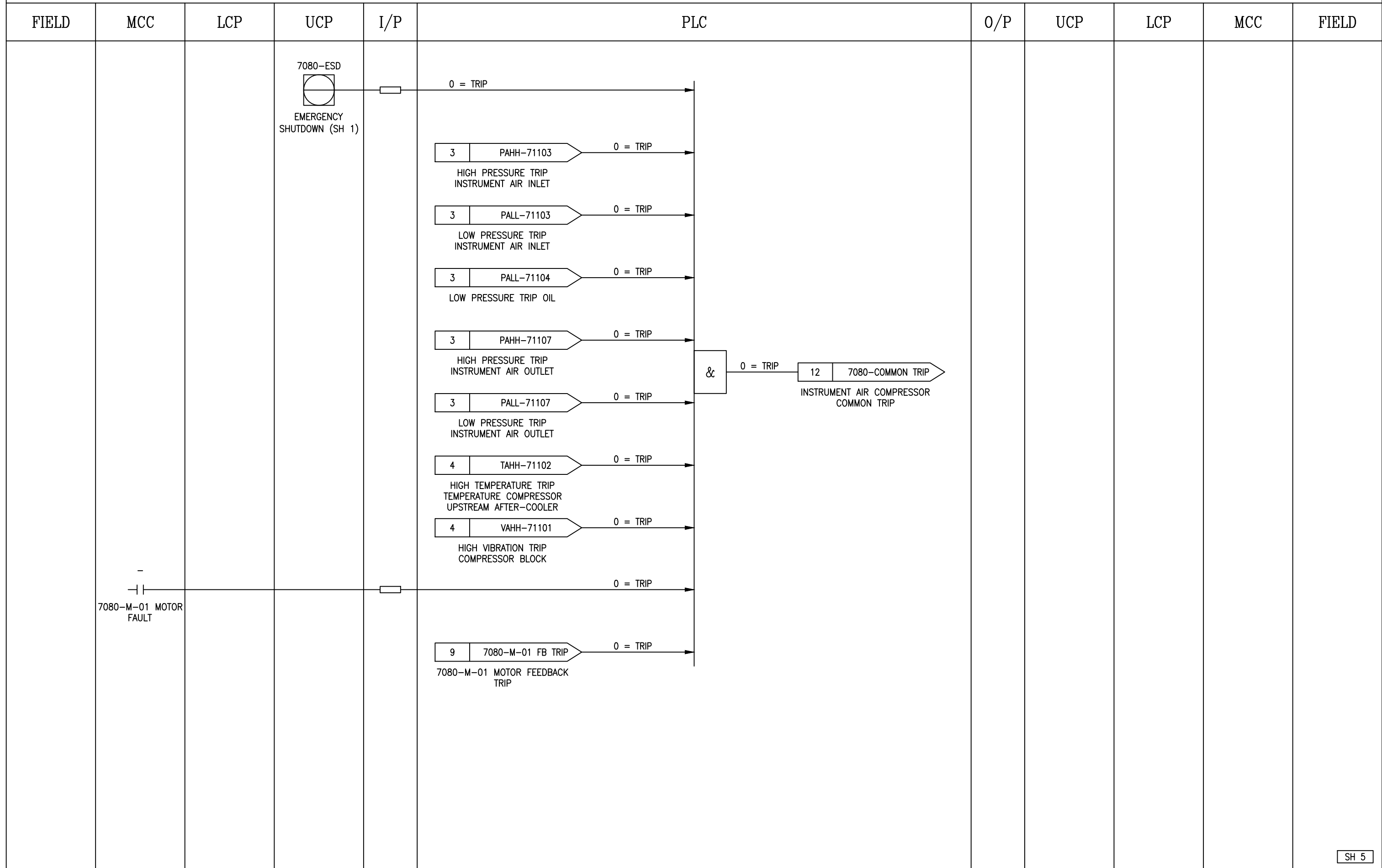


SH 4

NOTES:


	SUBJECT BUSHEHR PETROCHEMICAL COMPANY MEG PLANT EMERGENCY INSTRUMENT AIR COMPRESSOR		DATE	20-11-2020	THIS DRAWING IS OWNED BY AIRPACK AND SHALL NOT BE PRINTED OR COPIED IN ANY OTHER WAY THAN WITH AIRPACKS PERMISSION	
			DRAWN BY	TJ		
			CHECKED BY	KP		
	CLIENT	BUSHEHR PETROCHEMICAL COMPANY (BUPC)	PLANT LOCATION	IRAN		
CLIENT REF	20-C-7080	DRAWING NO.	17811-32B	REV 01	29-11-2021	WZ
AIRPACK REF	17811	SHEETNO.	04 /13	REV 00	20-11-2020	TJ

LOGIC DIAGRAM

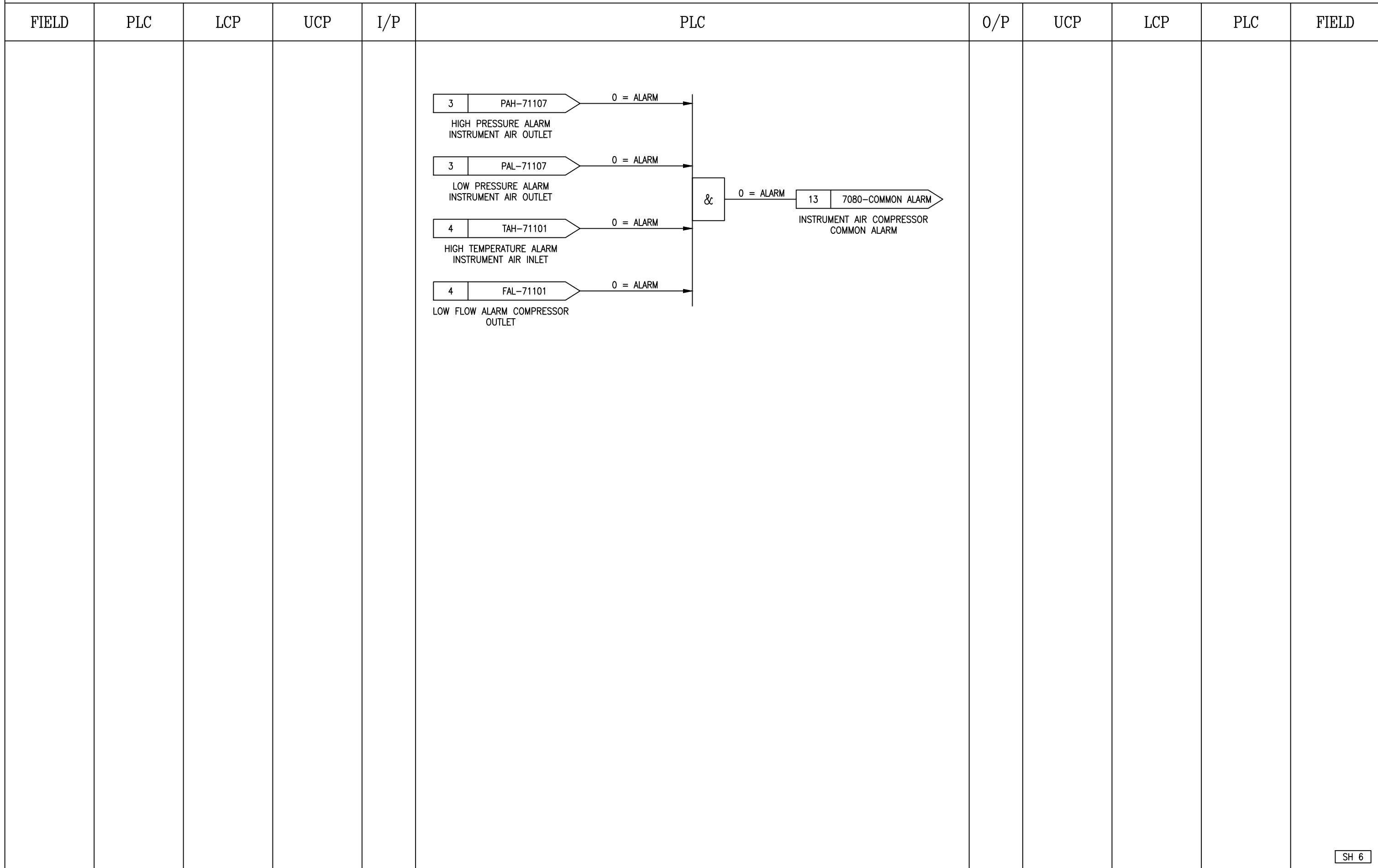


SH 5

NOTES:

	SUBJECT BUSHEHR PETROCHEMICAL COMPANY MEG PLANT EMERGENCY INSTRUMENT AIR COMPRESSOR		DATE 20-11-2020	THIS DRAWING IS OWNED BY AIRPACK AND SHALL NOT BE PRINTED OR COPIED IN ANY OTHER WAY THAN WITH AIRPACKS PERMISSION
	CLIENT BUSHEHR PETROCHEMICAL COMPANY (BUPC)	PLANT LOCATION IRAN	DRAWN BY TJ	
	CLIENT REF 20-C-7080	DRAWING NO. 17811-32B	CHECKED BY KP	
	AIRPACK REF 17811	SHEETNO. 05 /13		
				REV 01 29-11-2021 WZ REV 00 20-11-2020 TJ

LOGIC DIAGRAM

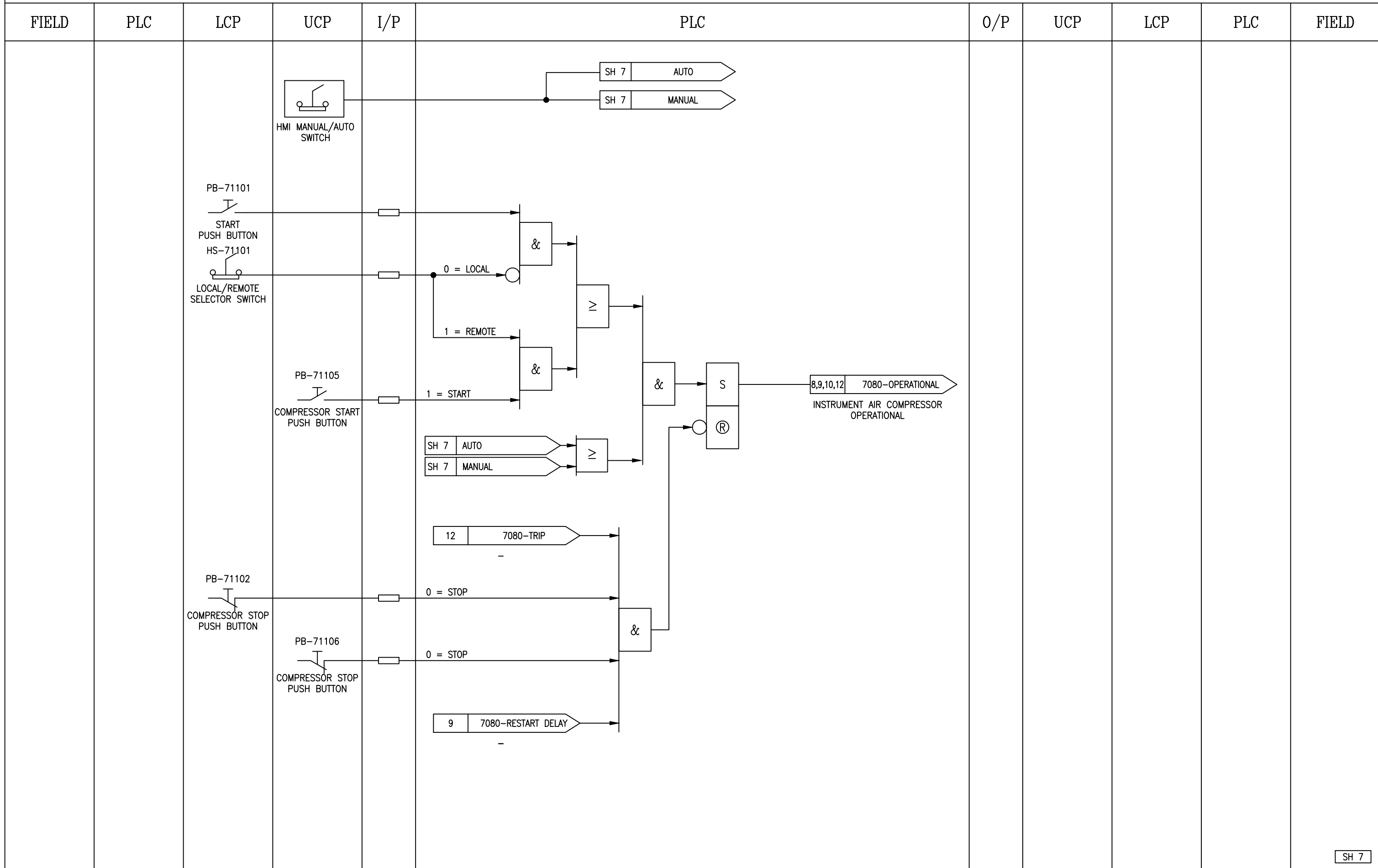


SH 6

NOTES:

	SUBJECT BUSHEHR PETROCHEMICAL COMPANY MEG PLANT EMERGENCY INSTRUMENT AIR COMPRESSOR		DATE	20-11-2020	THIS DRAWING IS OWNED BY AIRPACK AND SHALL NOT BE PRINTED OR COPIED IN ANY OTHER WAY THAN WITH AIRPACKS PERMISSION	
			DRAWN BY	TJ		
			CHECKED BY	KP		
	CLIENT	BUSHEHR PETROCHEMICAL COMPANY (BUPC)	PLANT LOCATION	IRAN		
CLIENT REF	20-C-7080	DRAWING NO.	17811-32B	REV 01	29-11-2021	WZ
AIRPACK REF	17811	SHEETNO.	06 /13	REV 00	20-11-2020	TJ

LOGIC DIAGRAM



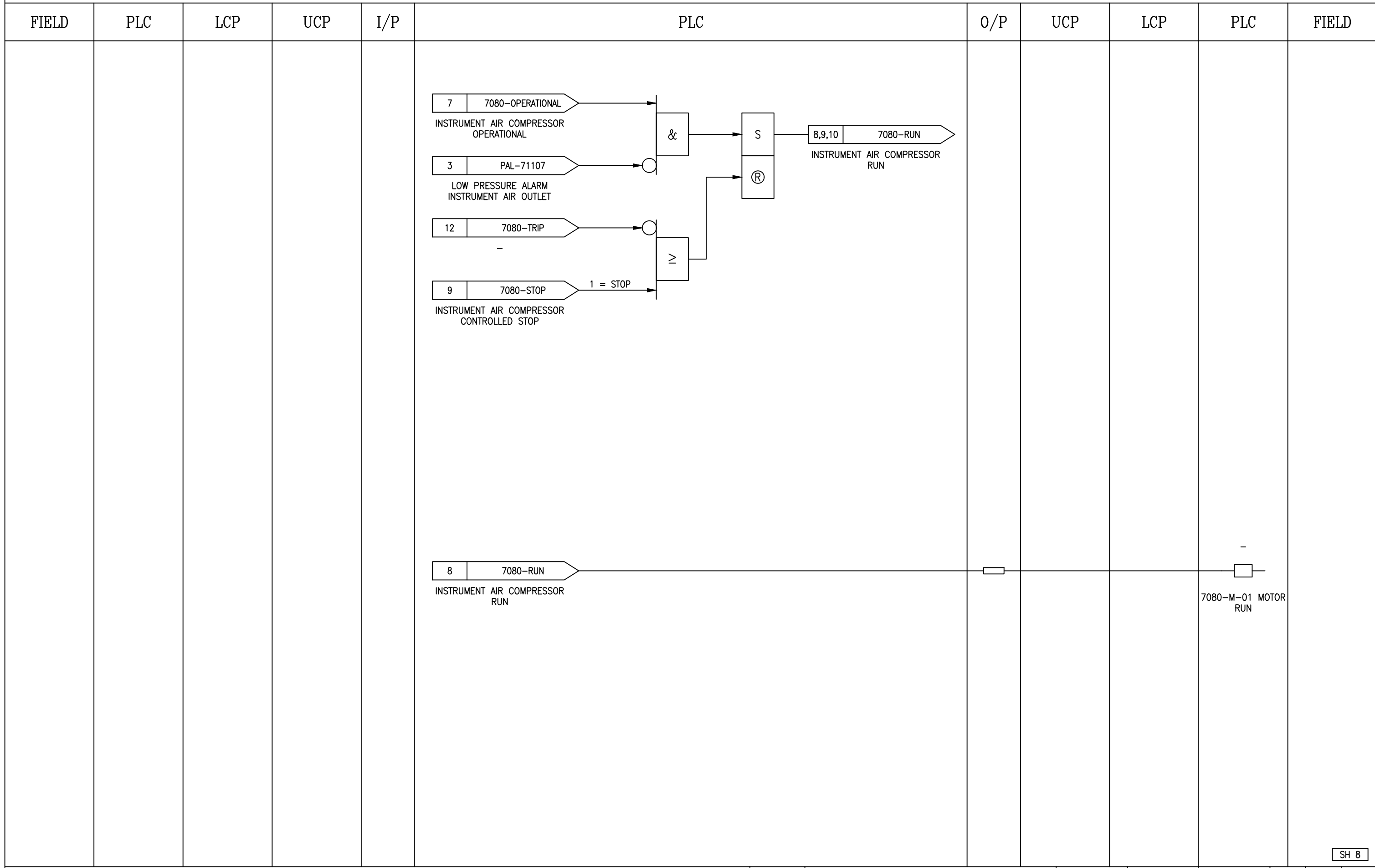
SH 7

NOTES:



SUBJECT BUSHEHR PETROCHEMICAL COMPANY MEG PLANT EMERGENCY INSTRUMENT AIR COMPRESSOR		DATE 20-11-2020	THIS DRAWING IS OWNED BY AIRPACK AND SHALL NOT BE PRINTED OR COPIED IN ANY OTHER WAY THAN WITH AIRPACKS PERMISSION			
CLIENT BUSHEHR PETROCHEMICAL COMPANY (BUPC)	DRAWN BY TJ	PLANT LOCATION IRAN				
CLIENT REF 20-C-7080	CHECKED BY KP	DRAWING NO. 17811-32B		REV 01 29-11-2021 WZ		
AIRPACK REF 17811		SHEETNO. 07 /13		REV 00 20-11-2020 TJ		

LOGIC DIAGRAM



NOTES:



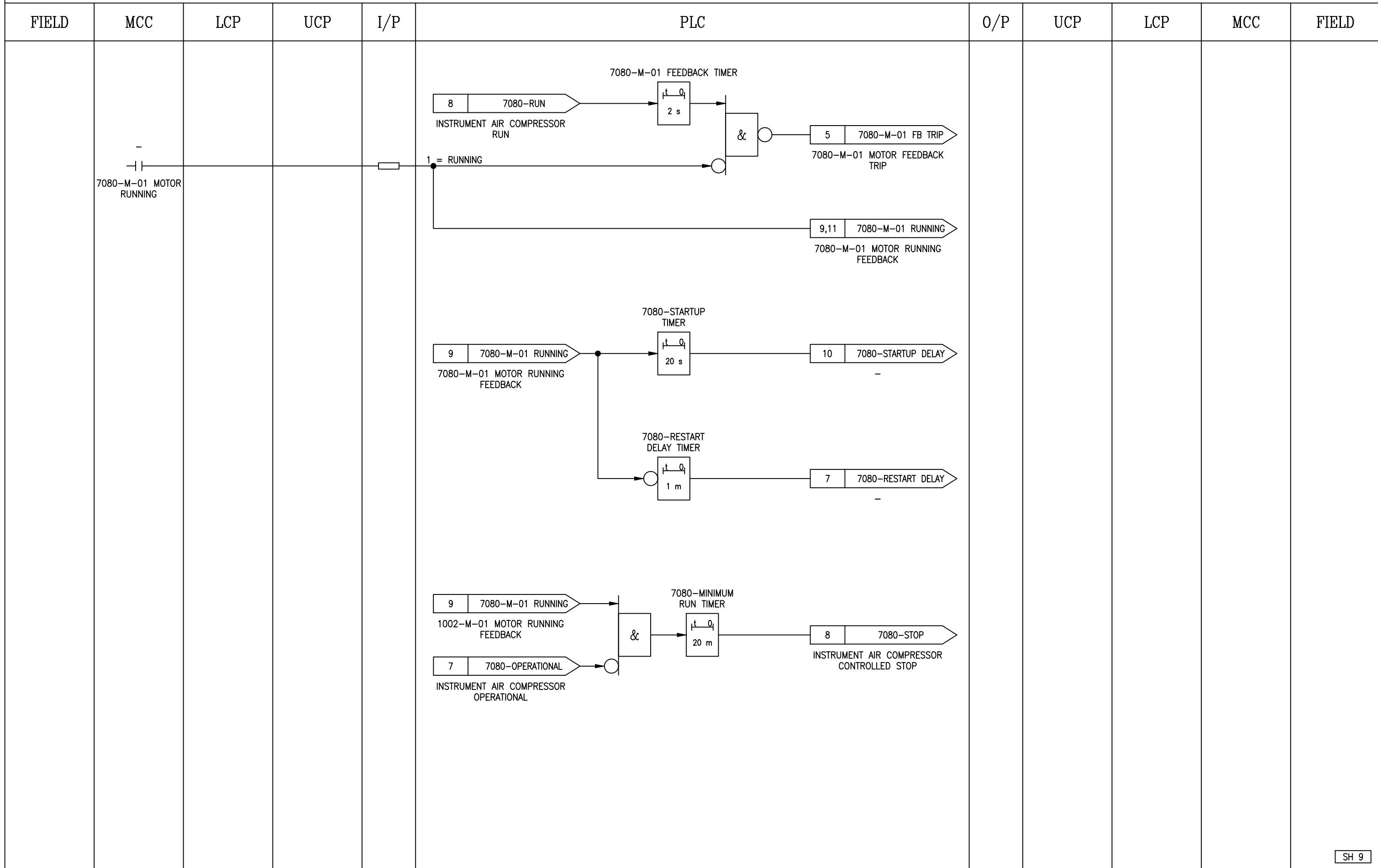
SUBJECT BUSHEHR PETROCHEMICAL COMPANY MEG PLANT EMERGENCY INSTRUMENT AIR COMPRESSOR	
CLIENT	BUSHEHR PETROCHEMICAL COMPANY (BUPC)
CLIENT REF	20-C-7080
AIRPACK REF	17811

DATE	20-11-2020
DRAWN BY	TJ
CHECKED BY	KP
PLANT LOCATION	IRAN
DRAWING NO.	17811-32B
SHEETNO.	08 /13

THIS DRAWING IS OWNED BY AIRPACK AND SHALL NOT BE PRINTED OR COPIED IN ANY OTHER WAY THAN WITH AIRPACKS PERMISSION

REV 01	29-11-2021	WZ
REV 00	20-11-2020	TJ

LOGIC DIAGRAM



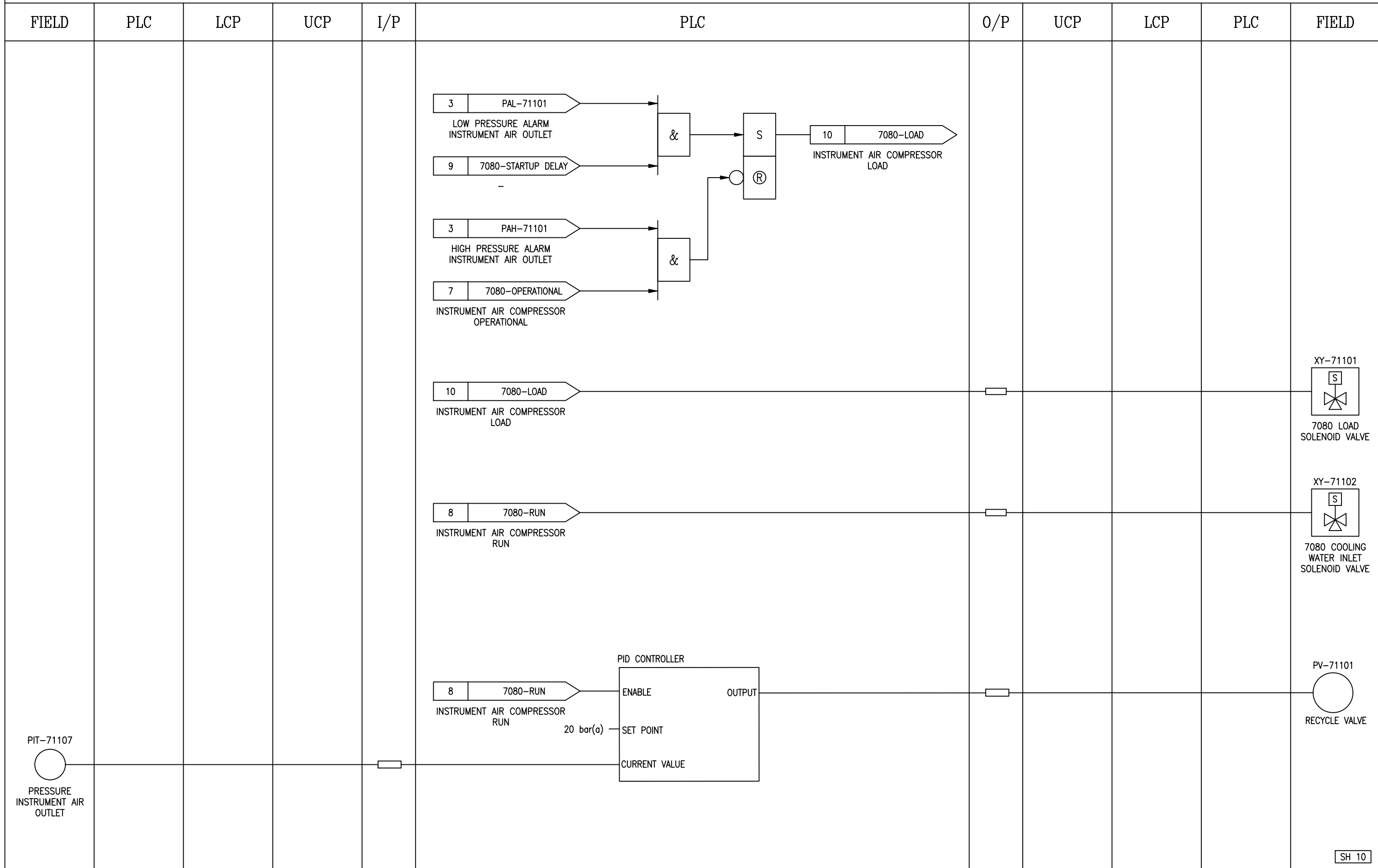
SH 9

NOTES:



SUBJECT BUSHEHR PETROCHEMICAL COMPANY MEG PLANT EMERGENCY INSTRUMENT AIR COMPRESSOR		DATE	20-11-2020	THIS DRAWING IS OWNED BY AIRPACK AND SHALL NOT BE PRINTED OR COPIED IN ANY OTHER WAY THAN WITH AIRPACKS PERMISSION			
		DRAWN BY	TJ				
CLIENT BUSHEHR PETROCHEMICAL COMPANY (BUPC)		CHECKED BY	KP	REV 01 29-11-2021 WZ			
		PLANT LOCATION	IRAN				
CLIENT REF	20-C-7080	DRAWING NO.	17811-32B	REV 00 20-11-2020 TJ			
AIRPACK REF	17811	SHEETNO.	09 /13				

LOGIC DIAGRAM

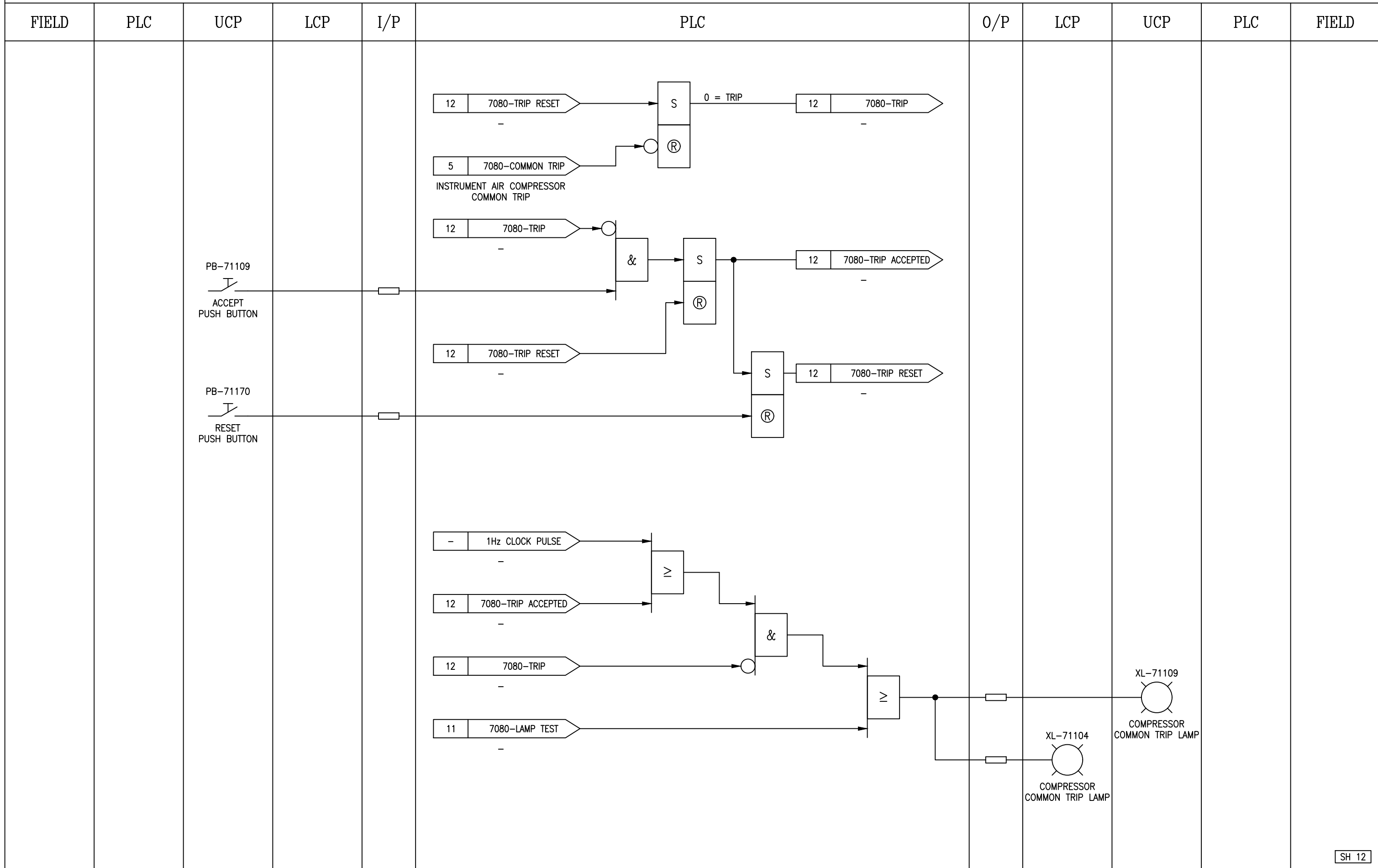


NOTES:



SUBJECT BUSHEHR PETROCHEMICAL COMPANY MEG PLANT EMERGENCY INSTRUMENT AIR COMPRESSOR		DATE	20-11-2020	THIS DRAWING IS OWNED BY AIRPACK AND SHALL NOT BE PRINTED OR COPIED IN ANY OTHER WAY THAN WITH AIRPACKS PERMISSION
		DRAWN BY	TJ	
CLIENT	BUSHEHR PETROCHEMICAL COMPANY (BUPC)	PLANT LOCATION	IRAN	REV 01 29-11-2021 WZ REV 00 20-11-2020 TJ
CLIENT REF	20-C-7080	DRAWING NO.	17811-32B	
AIRPACK REF	17811	SHEETNO.	10 /13	

LOGIC DIAGRAM

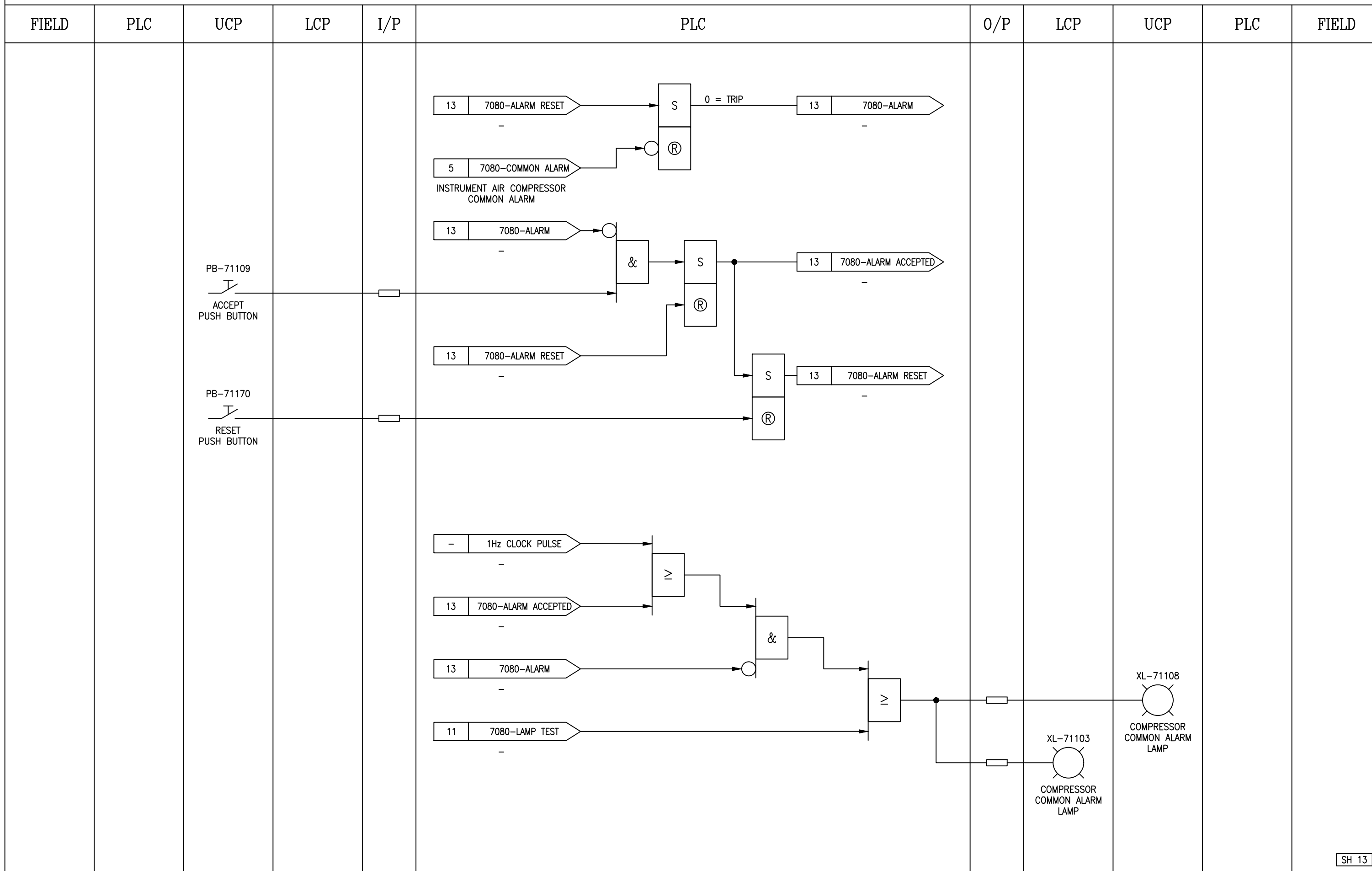


SH 12

NOTES:

	SUBJECT BUSHEHR PETROCHEMICAL COMPANY MEG PLANT EMERGENCY INSTRUMENT AIR COMPRESSOR		DATE	20-11-2020	THIS DRAWING IS OWNED BY AIRPACK AND SHALL NOT BE PRINTED OR COPIED IN ANY OTHER WAY THAN WITH AIRPACKS PERMISSION
			DRAWN BY	TJ	
	CLIENT	BUSHEHR PETROCHEMICAL COMPANY (BUPC)	CHECKED BY	KP	
	CLIENT REF	20-C-7080	PLANT LOCATION	IRAN	
	AIRPACK REF	17811	DRAWING NO.	17811-32B	REV 01 29-11-2021 WZ
			SHEETNO.	12 /13	REV 00 20-11-2020 TJ

LOGIC DIAGRAM



SH 13

NOTES:

	SUBJECT BUSHEHR PETROCHEMICAL COMPANY MEG PLANT EMERGENCY INSTRUMENT AIR COMPRESSOR		DATE 20-11-2020	THIS DRAWING IS OWNED BY AIRPACK AND SHALL NOT BE PRINTED OR COPIED IN ANY OTHER WAY THAN WITH AIRPACKS PERMISSION
	CLIENT BUSHEHR PETROCHEMICAL COMPANY (BUPC)	PLANT LOCATION IRAN	CHECKED BY KP	
CLIENT REF 20-C-7080	DRAWING NO. 17811-32B	REV 01 29-11-2021 WZ		
AIRPACK REF 17811	SHEETNO. 13 /13	REV 00 20-11-2020 TJ		