






OWNER:  شرکت مست و سویی گیس ایرانیان (سهامی خاص)	BUSHEHR PETROCHEMICAL COMPANY MEG PLANT							EPC CONTRACTOR:  Chagalesh-Enerchimi-Steam Joint Venture BUPC-MEG PLANT PROJECT	
	COMPRESSOR MOTOR OUTLINE DRAWING & TERMINAL BOX WIRING DIAGRAM FOR NITROGEN GAS BOOSTER							 Netherlands	
MC :   شرکت مست و سویی گیس ایرانیان (سهامی خاص)	Project	Area	Phase	Unit	Dis.	Doc.	Seq.	Contract No: 52-98/445	
Owner Document Number: 17811-39B	BU	20	VD	303	EL	DWG	0101	Rev.:	Page
								01	1 of 5

COMPRESSOR MOTOR OUTLINE DRAWING & TERMINAL BOX WIRING DIAGRAM FOR EMERGENCY INSTRUMENT AIR COMPRESSOR

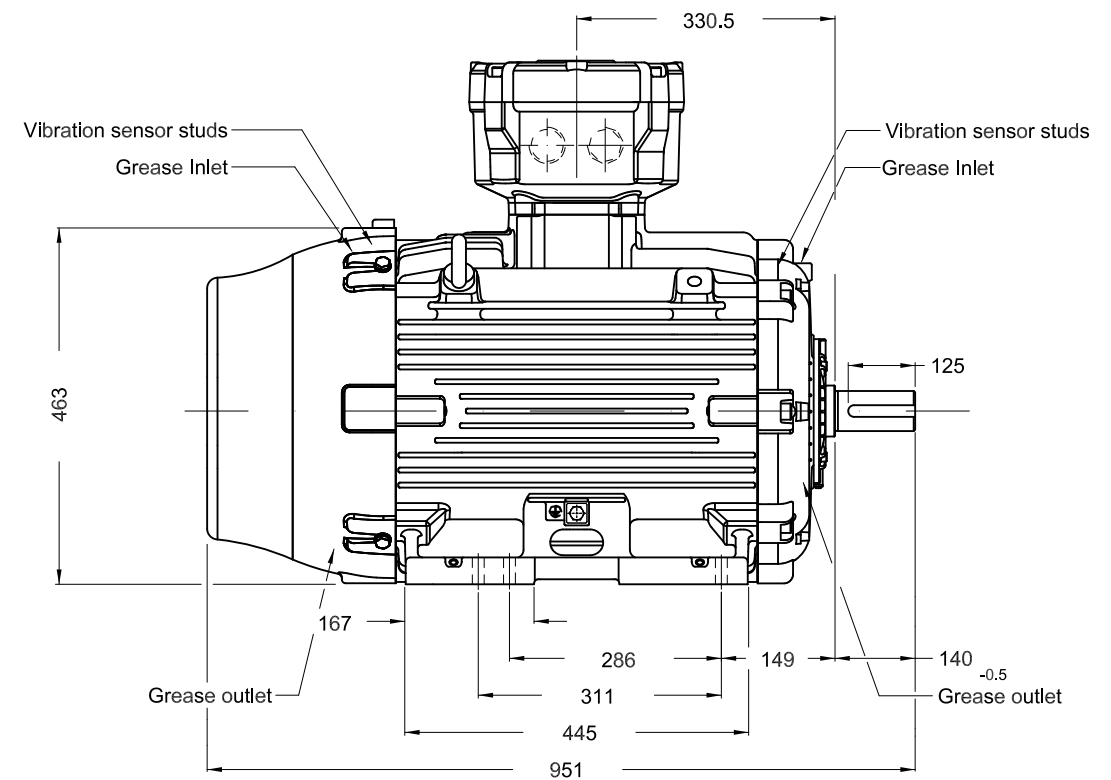
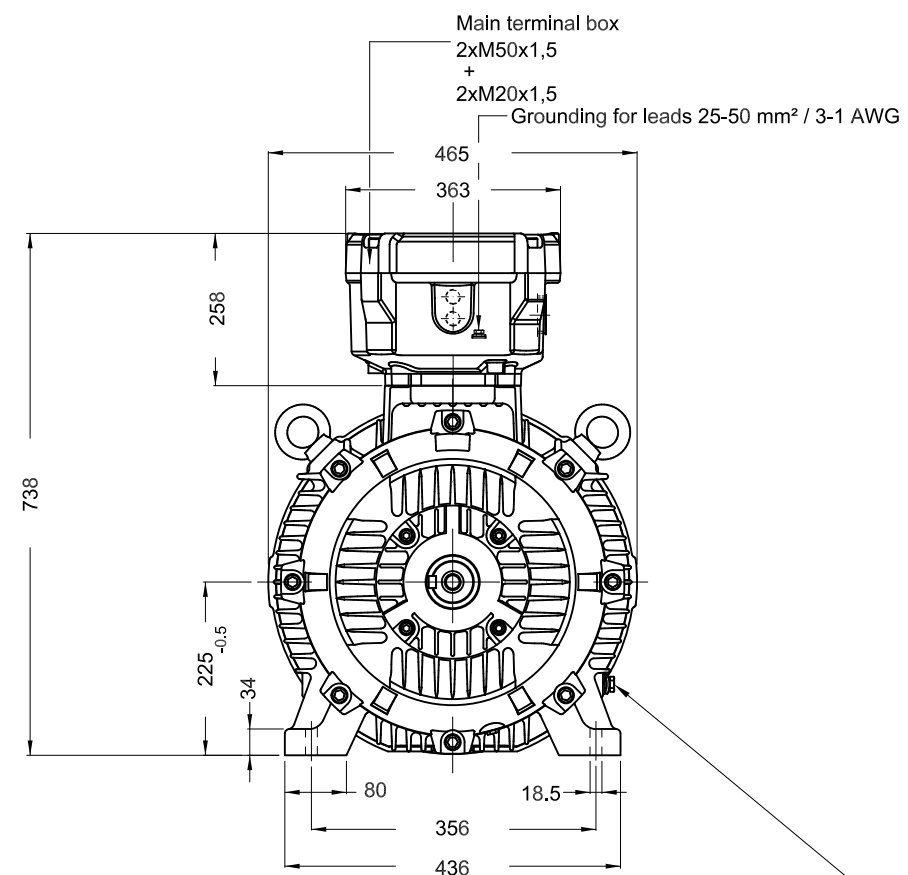
01	10/12/2021	For approval		KP	LdM	JR		
00	08/12/2020	For approval		KP	LdM	JR		
Rev.	Date	Purpose of Issue		Prepared	Checked	Approved	AC Code	
							Class: 1	Phase: P

1 2 3 4 5 6

A

B

C

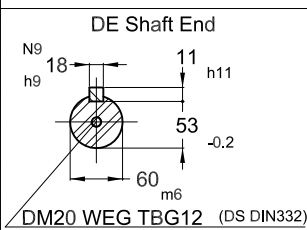


Grounding for leads 25-50 mm² / 3-1 AWG

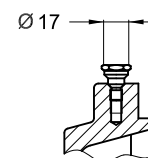
D

E

- Tropicalized internal painting
- DE roller bearing
- Shaft locking device
- Shaft material - AISI/SAE 4140
- SPM studs
- Color RAL 5010
- Painting plan 205P
- Mounting B3T

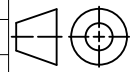



Vibration sensor studs detail



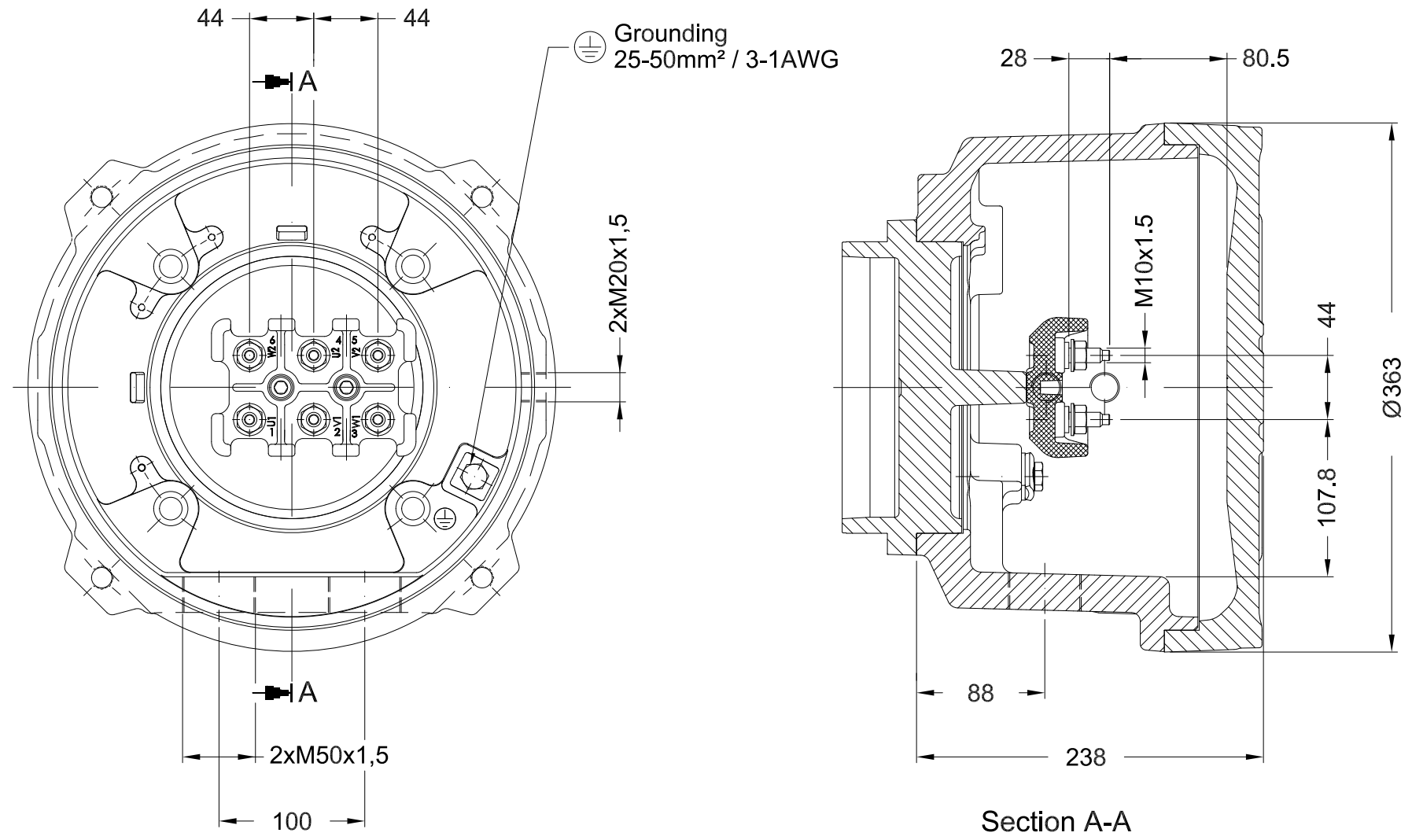
45 kW 04 Poles 50 Hz

A

ECM	LOC	SUMMARY OF MODIFICATIONS				EXECUTED	CHECKED	RELEASED	DATE	VER
EXECUTED	PIRWUSER	 THREE PH. MOTOR W22Xdb IE4 FRAME 225S/M IP56 TEFC	PREVIEW WDD							
CHECKED										
RELEASED										
REL DT.										
	WMO	Jaragua do Sul	Product Engineering	SHEET	1 / 1					

Dimensional drawing subject to change. We reserve the right to change constructional details.
 * Detail out of scale.

A
B
C
D
E



					ESC	1:4		
ECM	LOC	SUMMARY OF MODIFICATIONS		EXECUTED	CHECKED	RELEASED	DATE	VER
EXECUTED	YDAMHUIS	MAIN TERMINAL BOX						
CHECKED		FRAME 225S/M						
RELEASED								
REL DT.								
					PREVIEW			
					WCD			
					SHEET		01 / 03	



THIS IS AN UPDATED REVISION, THE PREVIOUS ONE MUST BE DISREGARDED.

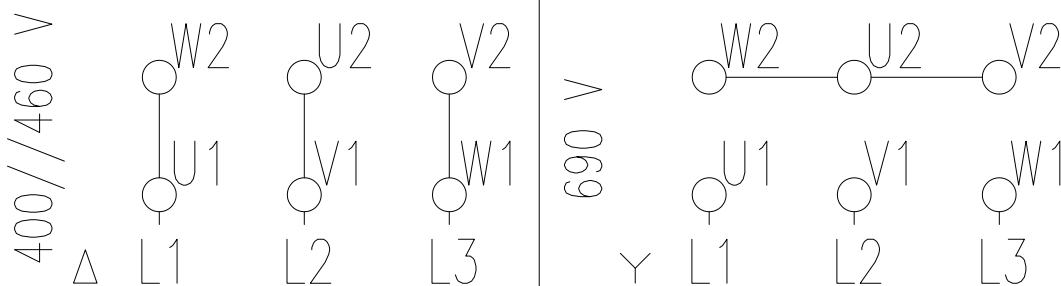
A

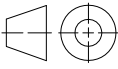

B

C

D

E



		ORIGINAL ISSUE		JESSICA	PATRICIA	CASTELLA	30.10.2018	00
ECM ECM	LOC LOC	RESUMO MODIFICAÇÃO SUMMARY OF MODIFICATIONS		EXECUTADO EXECUTED	VERIFICADO CHECKED	LIBERADO RELEASED	DATA DATE	VER VER
EXEC. /EXECUTED	JESSICA		LOW VOLTAGE - CONNECTION DIAGRAM 400/690//460V MOTOR WITH 06 CABLES	400/690//460-6				
VERIF. /CHECKED	PATRICIA			IEC	00			
LIBER. /RELEASED	CASTELLA							
DATA LB /REL DT	30.10.2018	WMO	JARAGUÁ DO SUL	ADMINISTRAÇÃO DE VENDAS	FOLHA /SHEET	1 / 1		