



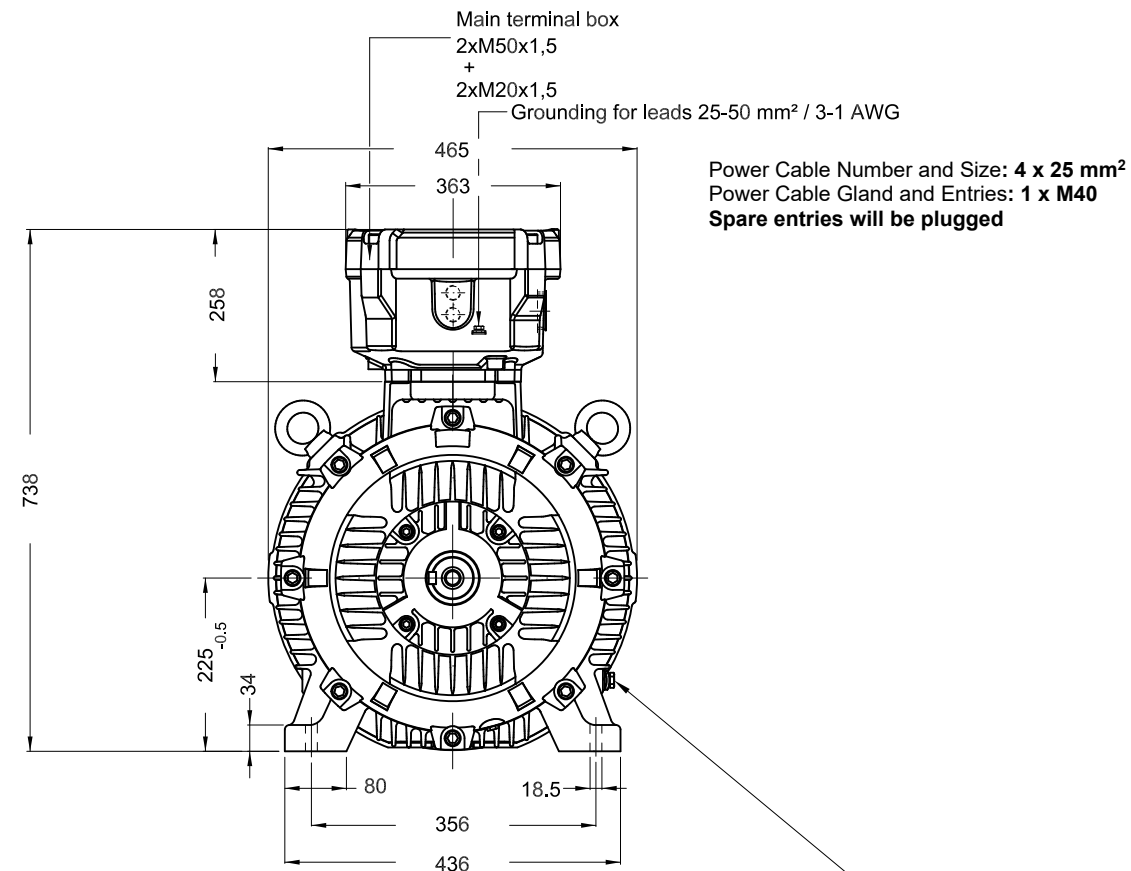


OWNER:  شرکت مست و سویی گیس ایرانیان (سهامی خاص)	BUSHEHR PETROCHEMICAL COMPANY MEG PLANT							EPC CONTRACTOR:  Chagalesh-Enerchimi-Steam Joint Venture BUPC-MEG PLANT PROJECT	
	COMPRESSOR MOTOR OUTLINE DRAWING & TERMINAL BOX WIRING DIAGRAM FOR NITROGEN GAS BOOSTER							 Netherlands	
MC :  شرکت مست و سویی گیس ایرانیان (سهامی خاص)	Project	Area	Phase	Unit	Dis.	Doc.	Seq.	Contract No: 52-98/445	
Owner Document Number: 17811-39A	BU	20	VD	303	EL	DWG	0053	Rev.:	Page
								02	1 of 5

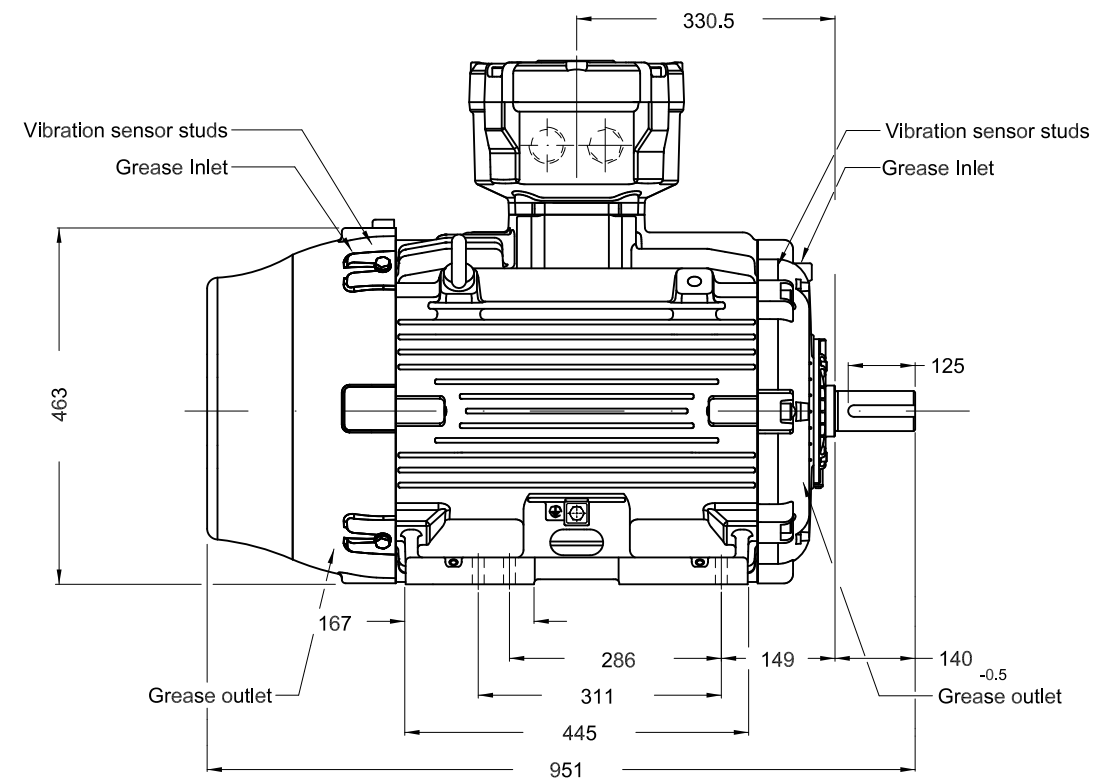
COMPRESSOR MOTOR OUTLINE DRAWING & TERMINAL BOX WIRING DIAGRAM FOR NITROGEN GAS BOOSTER

Rev.	Date	Purpose of Issue	Prepared	Checked	Approved	AC Code
02	06/01/2022	For approval	KP	LdM	JR	
01	10/12/2021	For approval	KP	LdM	JR	
00	08/12/2020	For approval	KP	LdM	JR	
Class: 1 Phase: P						

Nitrogen Gas Booster 20-C-1002-M

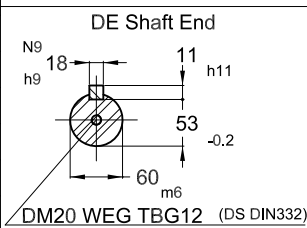


Power Cable Number and Size: **4 x 25 mm²**
 Power Cable Gland and Entries: **1 x M40**
Spare entries will be plugged

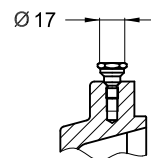


Grounding for leads 25-50 mm² / 3-1 AWG

- Tropicalized internal painting
- DE roller bearing
- Shaft locking device
- Shaft material - AISI/SAE 4140
- SPM studs
- Color RAL 5010
- Painting plan 205P
- Mounting B3T



Vibration sensor studs detail



45 kW 04 Poles 50 Hz A

ECM	LOC	SUMMARY OF MODIFICATIONS				EXECUTED	CHECKED	RELEASED	DATE	VER
EXECUTED	PIRWUSER		THREE PH. MOTOR W22Xdb IE4 Ex d IIB T4		PREVIEW	WDD	SHEET	03/05		
CHECKED			FRAME 225S/M IP56 TEFC							
RELEASED			Main Compressor Motor 20-C-1002-M 45kW							
REL DT.			Jaragua do Sul							
		WMO	Product Engineering							

Dimensional drawing subject to change. We reserve the right to change constructional details.
 * Detail out of scale.

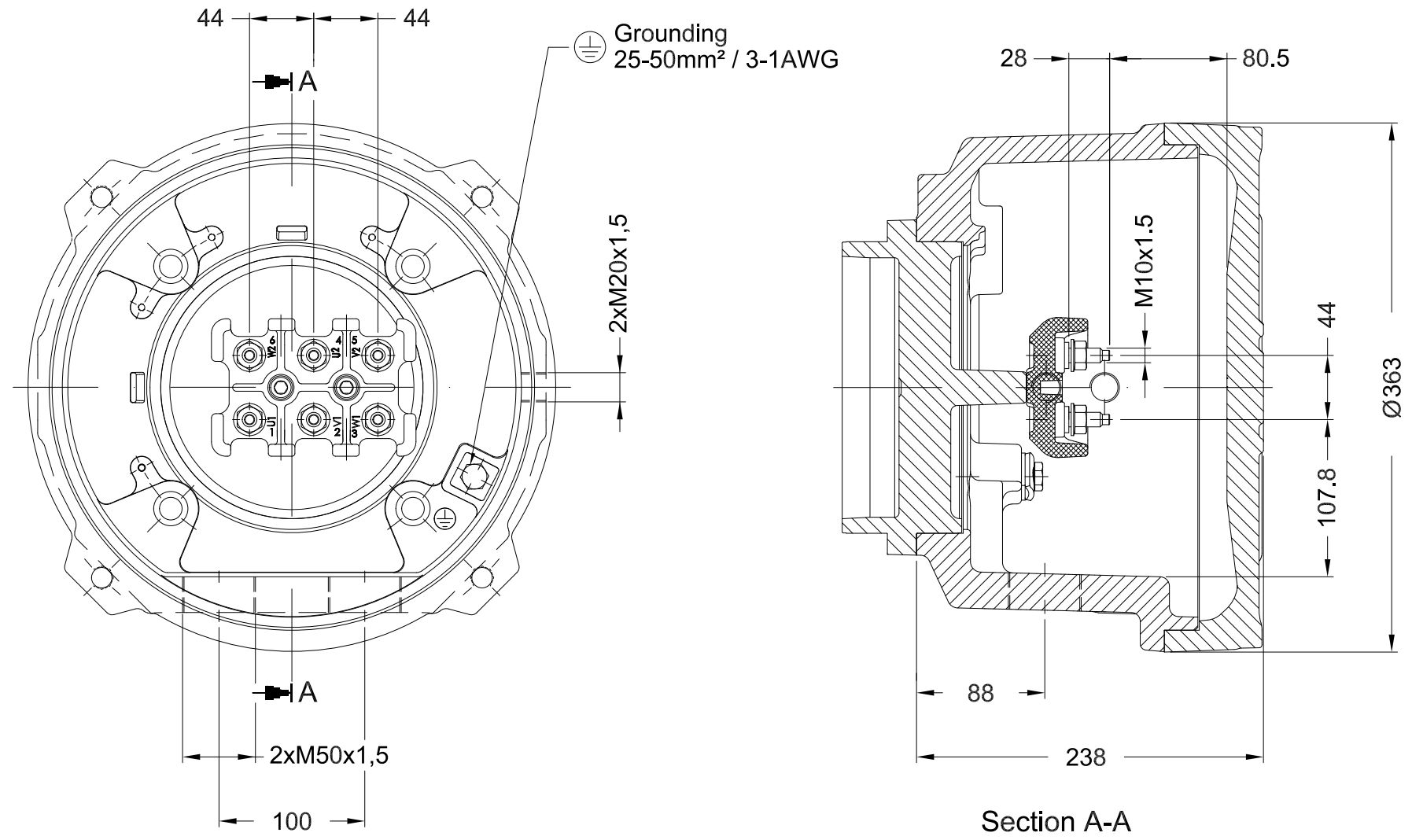
A

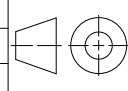

B

C

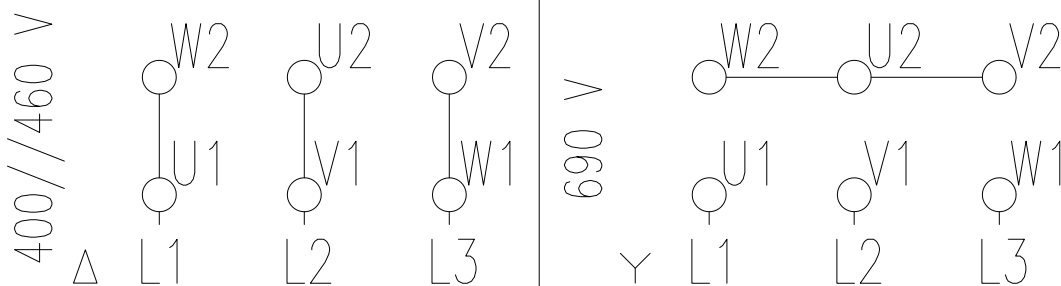
D

E



					ESC	1:4	
ECM	LOC	SUMMARY OF MODIFICATIONS	EXECUTED	CHECKED	RELEASED	DATE	VER
EXECUTED	YDAMHUIS	 MAIN TERMINAL BOX FRAME 225S/M	PREVIEW				
CHECKED			WCD				
RELEASED			SHEET				
REL DT.			04/05				

THIS IS AN UPDATED REVISION, THE PREVIOUS ONE MUST BE DISREGARDED.



A

B

C

D

E

		ORIGINAL ISSUE		JESSICA	PATRICIA	CASTELLA	30.10.2018	00
ECM	LOC	RESUMO MODIFICAÇÃO SUMMARY OF MODIFICATIONS		EXECUTADO EXECUTED	VERIFICADO CHECKED	LIBERADO RELEASED	DATA DATE	VER VER
EXEC. /EXECUTED	JESSICA		LOW VOLTAGE - CONNECTION DIAGRAM 400/690//460V MOTOR WITH 06 CABLES	400/690//460-6				
VERIF. /CHECKED	PATRICIA			IEC	00			
LIBER. /RELEASED	CASTELLA							
DATA LB /REL DT	30.10.2018	WMO	JARAGUÁ DO SUL	ADMINISTRAÇÃO DE VENDAS	FOLHA /SHEET	05/05		