




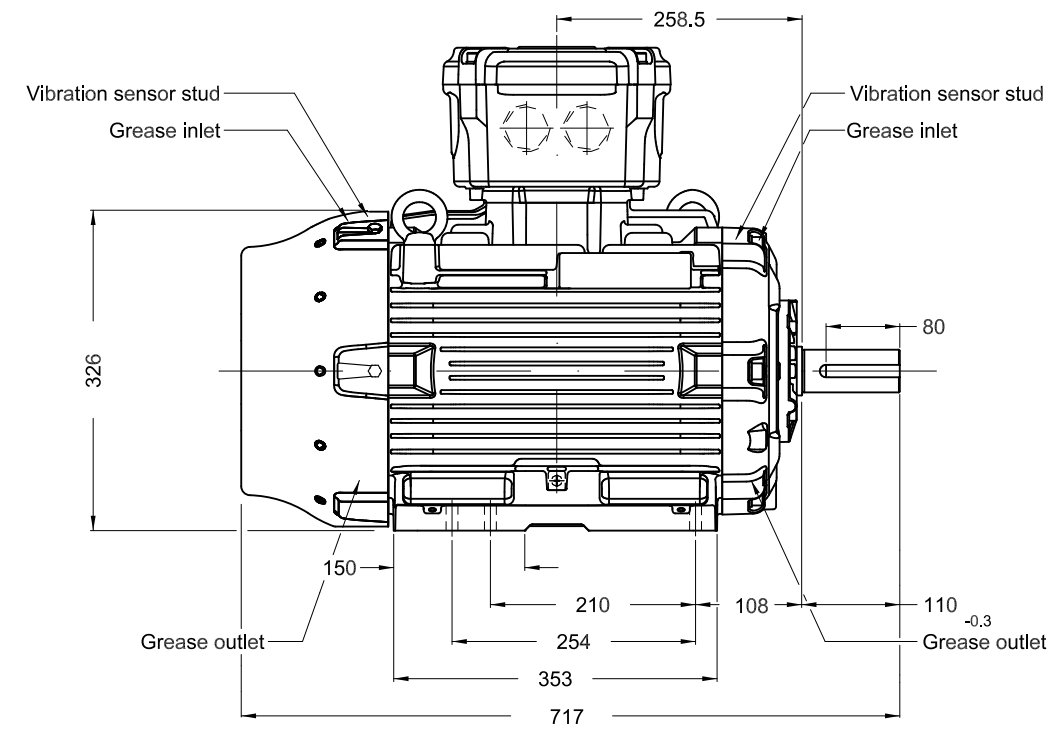
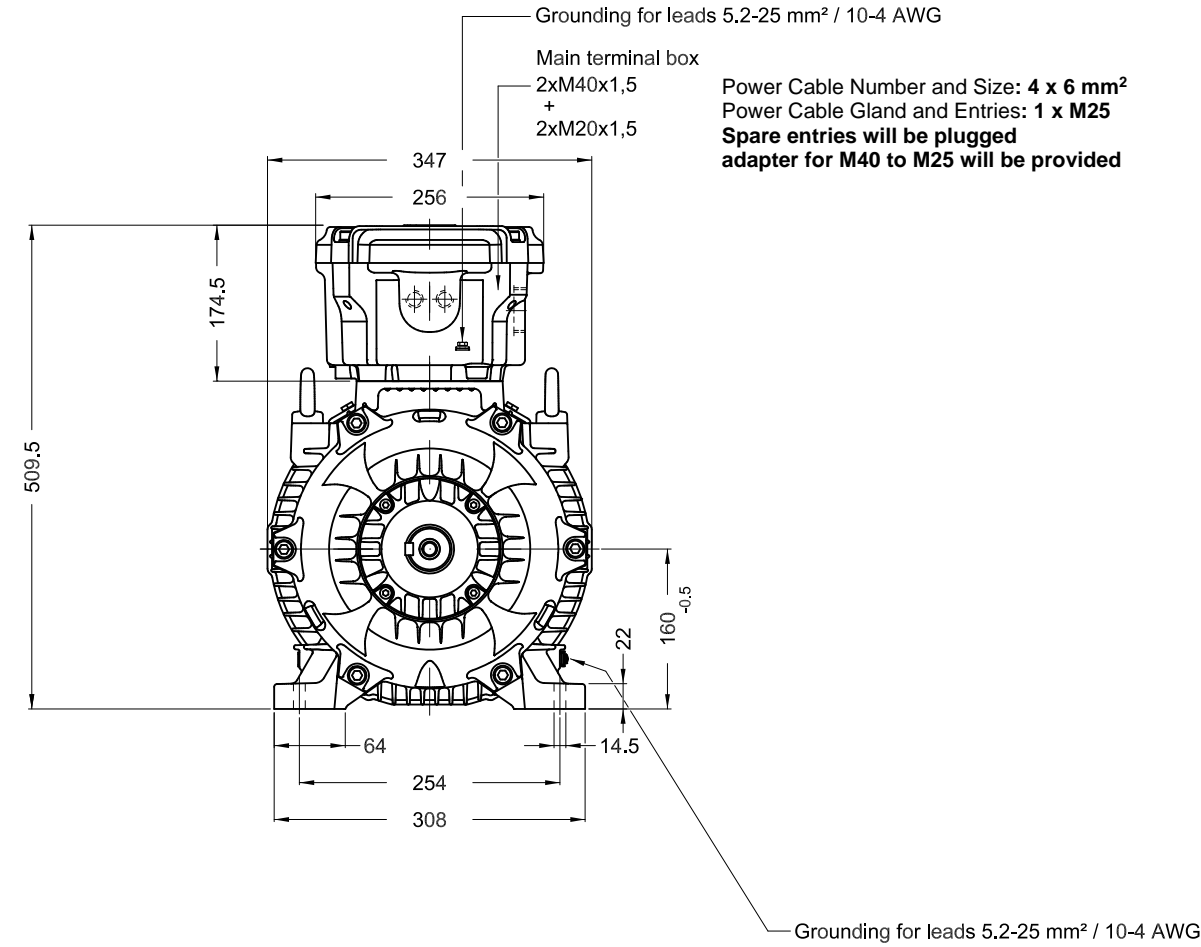


OWNER:  شرکت مست و سویی گیس ایرانیان (سهامی خاص)	BUSHEHR PETROCHEMICAL COMPANY MEG PLANT							EPC CONTRACTOR:  Chagalesh-Enerchimi-Steam Joint Venture BUPC-MEG PLANT PROJECT	
	COMPRESSOR MOTOR OUTLINE DRAWING & TERMINAL BOX WIRING DIAGRAM FOR NITROGEN GAS BOOSTER							 Netherlands	
MC :   شرکت مست و سویی گیس ایرانیان (سهامی خاص)	Project	Area	Phase	Unit	Dis.	Doc.	Seq.	Contract No: 52-98/445	
Owner Document Number: 17811-39B	BU	20	VD	303	EL	DWG	0101	Rev.:	Page
								02	1 of 5

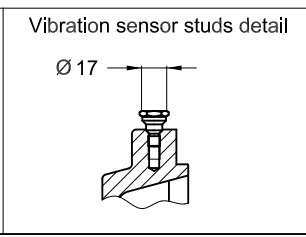
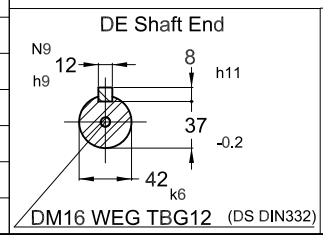
COMPRESSOR MOTOR OUTLINE DRAWING & TERMINAL BOX WIRING DIAGRAM FOR EMERGENCY INSTRUMENT AIR COMPRESSOR

02	06/01/2022	For approval	KP	LdM	JR			
01	10/12/2021	For approval	KP	LdM	JR			
00	08/12/2020	For approval	KP	LdM	JR			
Rev.	Date	Purpose of Issue	Prepared	Checked	Approved	AC Code		
						Class: 1	Phase: P	

Emergency Instrument Air Compressor 20-C-7080-M



Tropicalized internal painting
DE roller bearing
Shaft locking device
Shaft material - AISI/SAE 4140
SPM studs
Color RAL 5010
Painting plan 205P
Mounting B3T



15 kW 04 Poles 50 Hz		AIRPACK B.V.				A			
DOCUMENTO NOVO 419034292		MIRIANEV	WILLIANR	SIMONETTI	06.12.2021	01			
ECM	LOC	SUMMARY OF MODIFICATIONS			EXECUTED	CHECKED	RELEASED	DATE	VER
EXECUTED	PIRWBUSER	THREE PH. MOTOR W22Xdb IE4 Ex d IIB T4 FRAME 160M/L IP56 TEFC Main Compressor Motor 20-C-7080-M 15kW	1233471934		WEG				
CHECKED	NMAGNO		WDD	01					
RELEASED	NMAGNO								
REL DT.	23.11.2021	WMO	Jaragua do Sul	Product Engineering	SHEET	03/05			

1 2 3 4 5 6

Dimensional drawing subject to change. We reserve the right to change constructional details.
 * Detail out of scale.

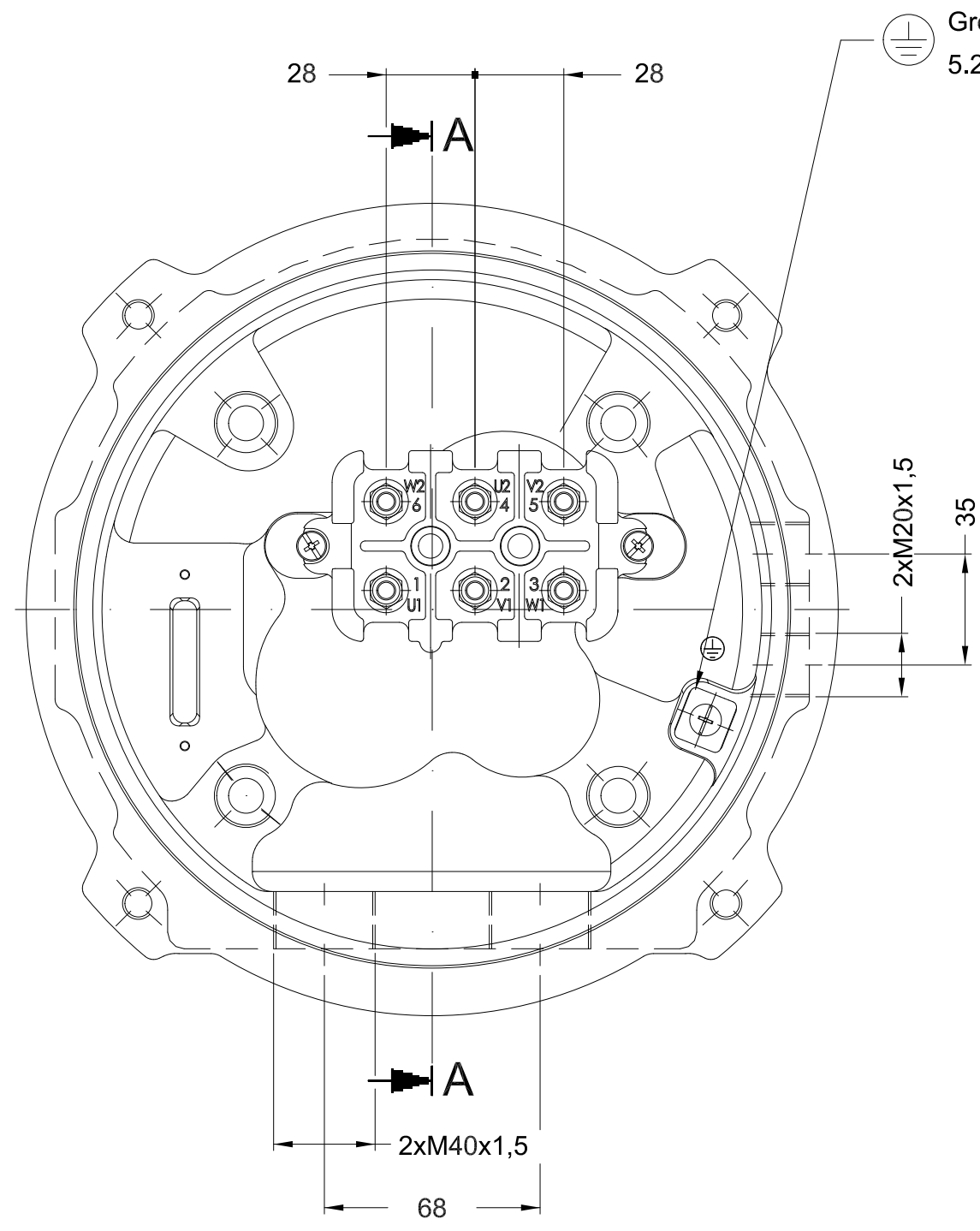
A

B

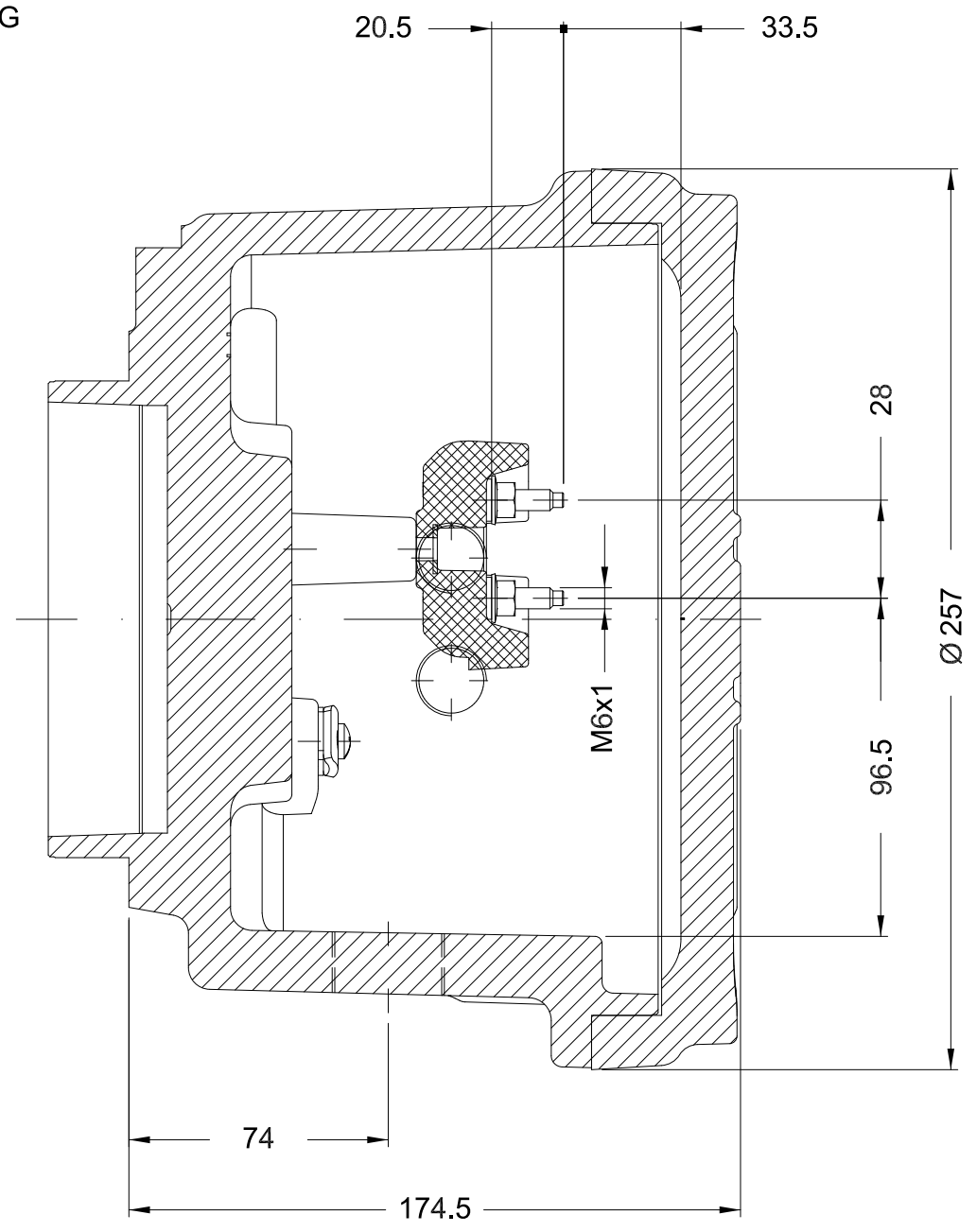
C

D

E



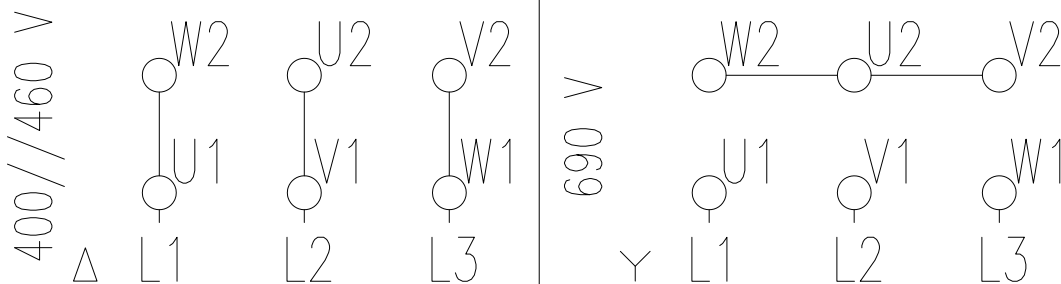
Grounding
 5.2-25mm² / 10-4AWG

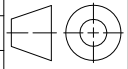



Section A-A

								ESC	1:2	
ECM	LOC	SUMMARY OF MODIFICATIONS				EXECUTED	CHECKED	RELEASED	DATE	VER
EXECUTED	YDAMHUIS	MAIN TERMINAL BOX FRAME 160M/L				PREVIEW				
CHECKED						WCD				
RELEASED						SHEET				
REL DT.						04/05				

THIS IS AN UPDATED REVISION, THE PREVIOUS ONE MUST BE DISREGARDED.



		ORIGINAL ISSUE		JESSICA	PATRICIA	CASTELLA	30.10.2018	00
ECM ECM	LOC LOC	RESUMO MODIFICAÇÃO SUMMARY OF MODIFICATIONS		EXECUTADO EXECUTED	VERIFICADO CHECKED	LIBERADO RELEASED	DATA DATE	VER VER
EXEC. /EXECUTED	JESSICA		LOW VOLTAGE - CONNECTION DIAGRAM 400/690//460V MOTOR WITH 06 CABLES	400/690//460-6				
VERIF. /CHECKED	PATRICIA			IEC	00			
LIBER. /RELEASED	CASTELLA							
DATA LB /REL DT	30.10.2018	WMO	JARAGUÁ DO SUL	ADMINISTRAÇÃO DE VENDAS	FOLHA /SHEET	05/05		