



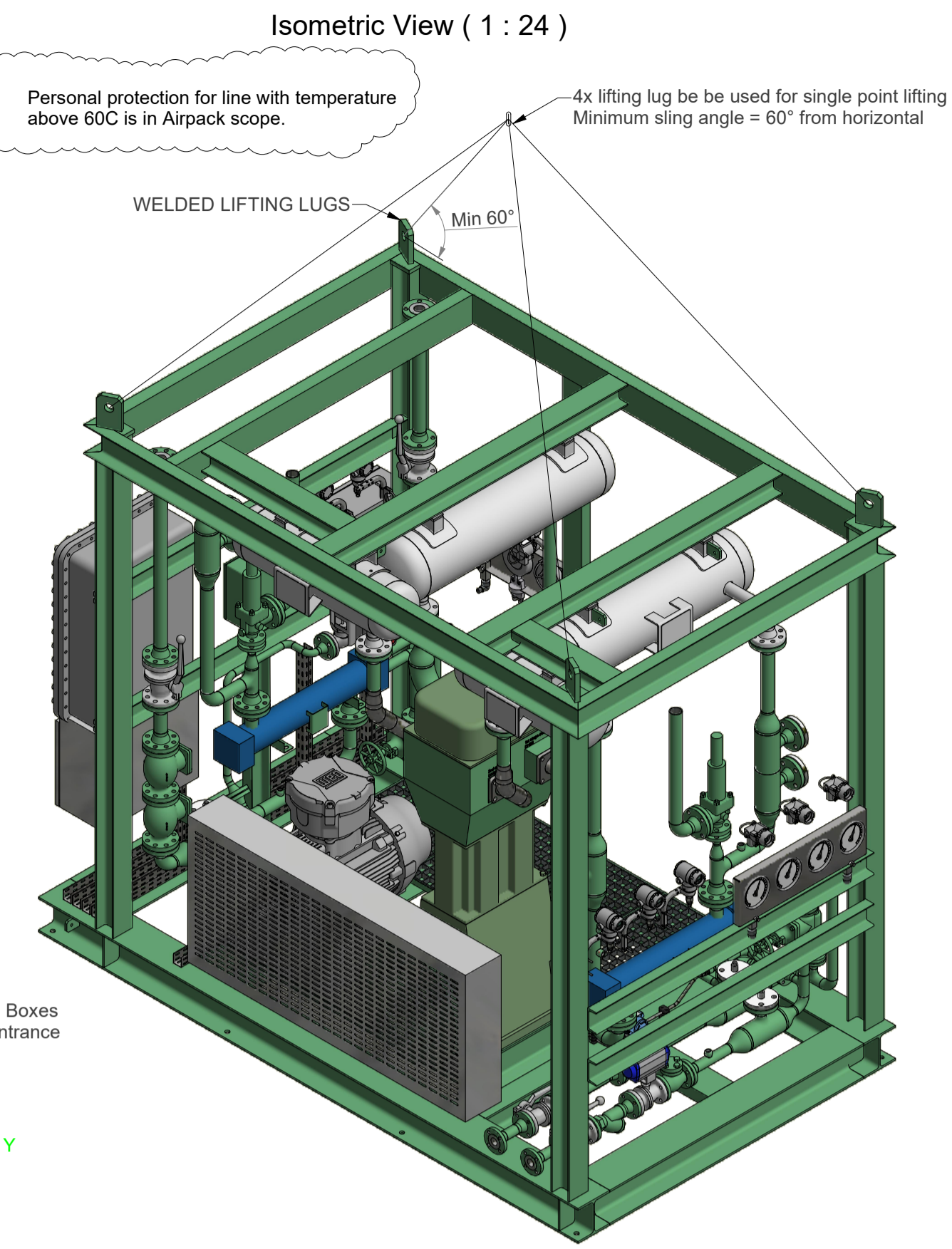
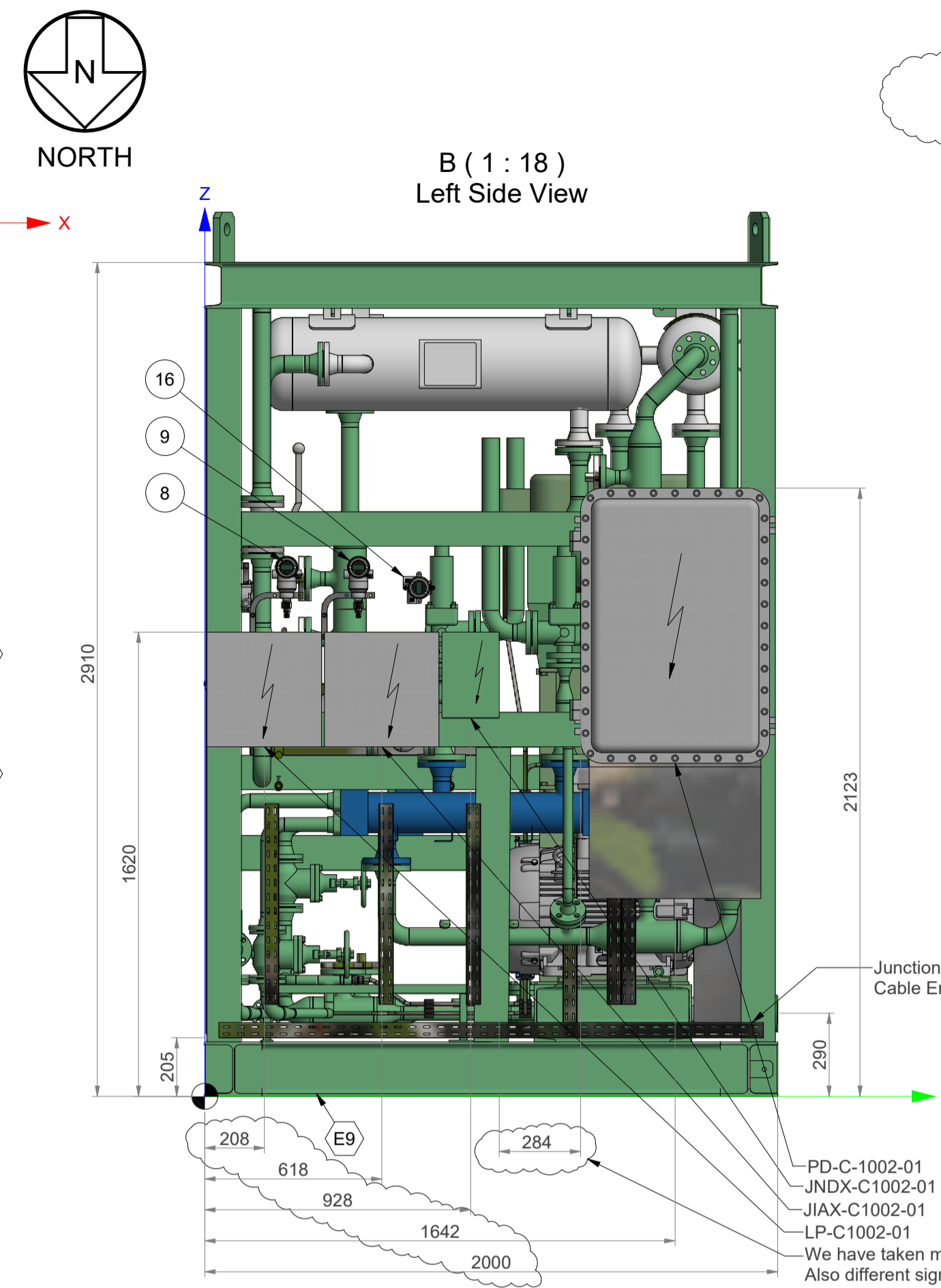
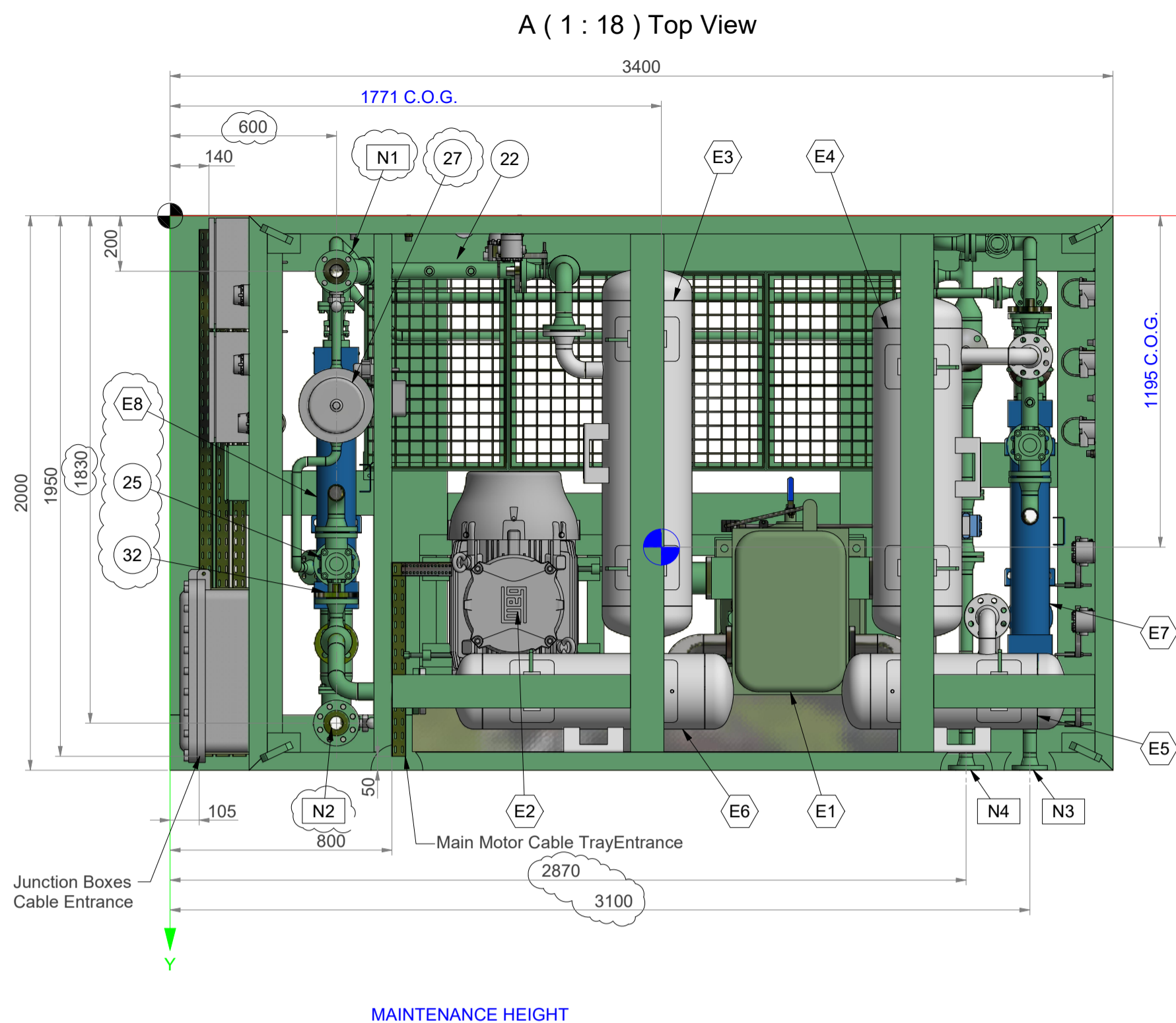
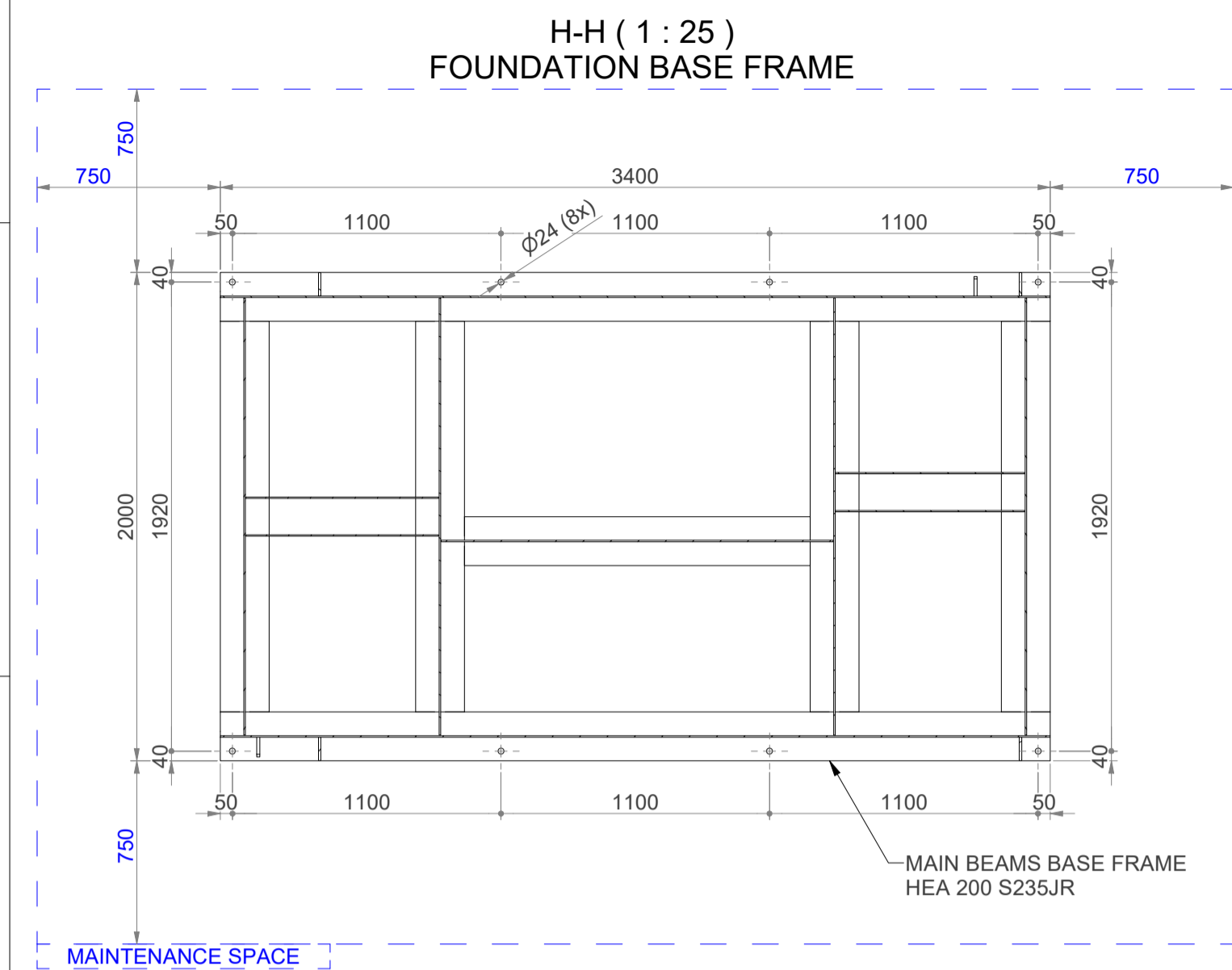


OWNER:  شرکت سست و سویی گستره ایرانیان (سهامی عامه)	<b>BUSHEHR PETROCHEMICAL COMPANY MEG PLANT</b>						EPC CONTRACTOR:  Chagalesh-Enerchimi-Steam Joint Venture BUPC-MEG PLANT PROJECT		
	<b>GENERAL ARRANGEMENT DRAWING FOR NITROGEN GAS BOOSTER</b>								
MC :  شرکت سست و سویی گستره ایرانیان (سهامی عامه)	Project	Area	Phase	Unit	Dis.	Doc.	Seq.	Contract No : 52-98/445	
Owner Document Number: 17811-04A	BU	20	VD	303	ME	DWG	0023	Rev.:	Page
								05	1 of 3

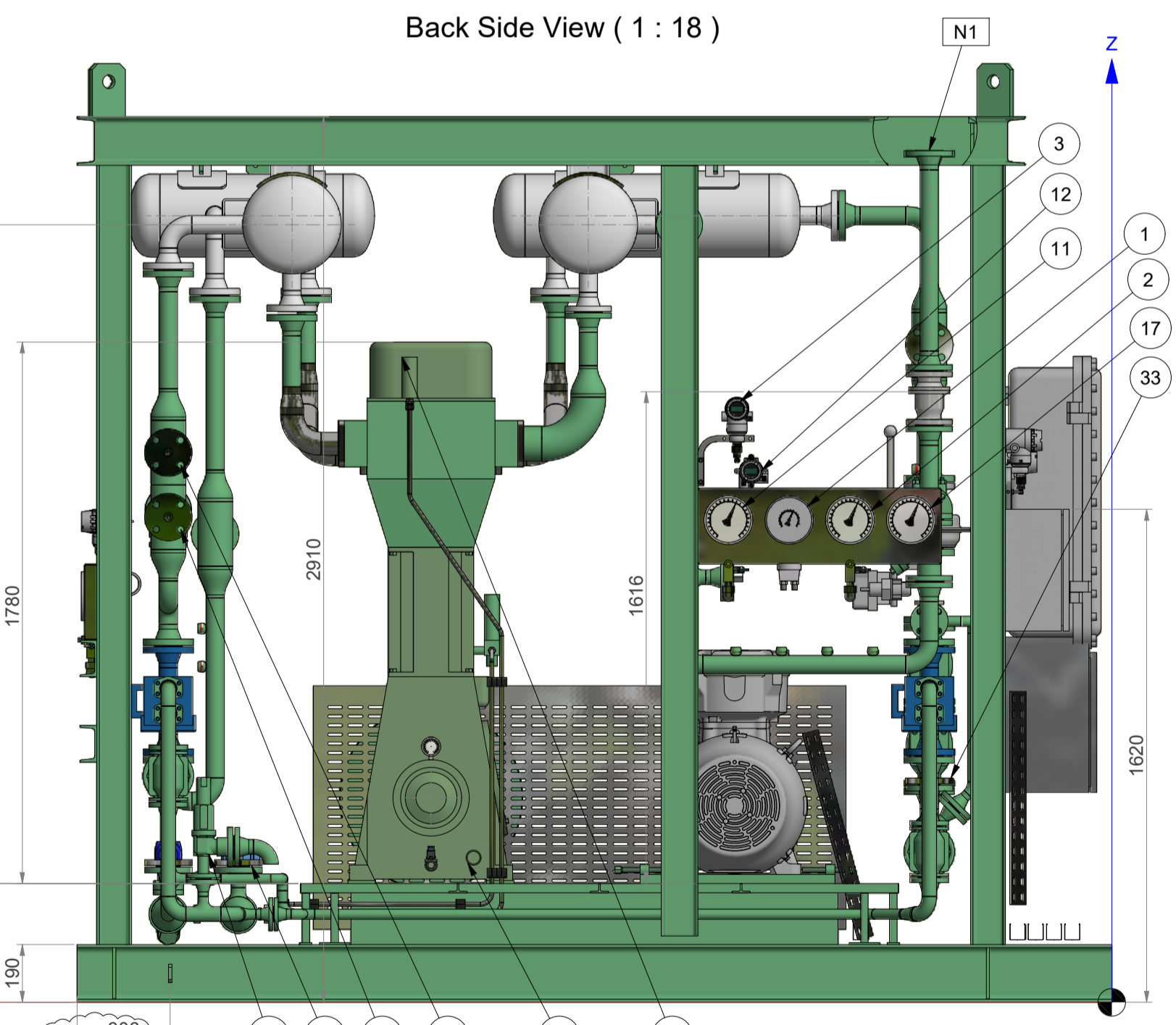
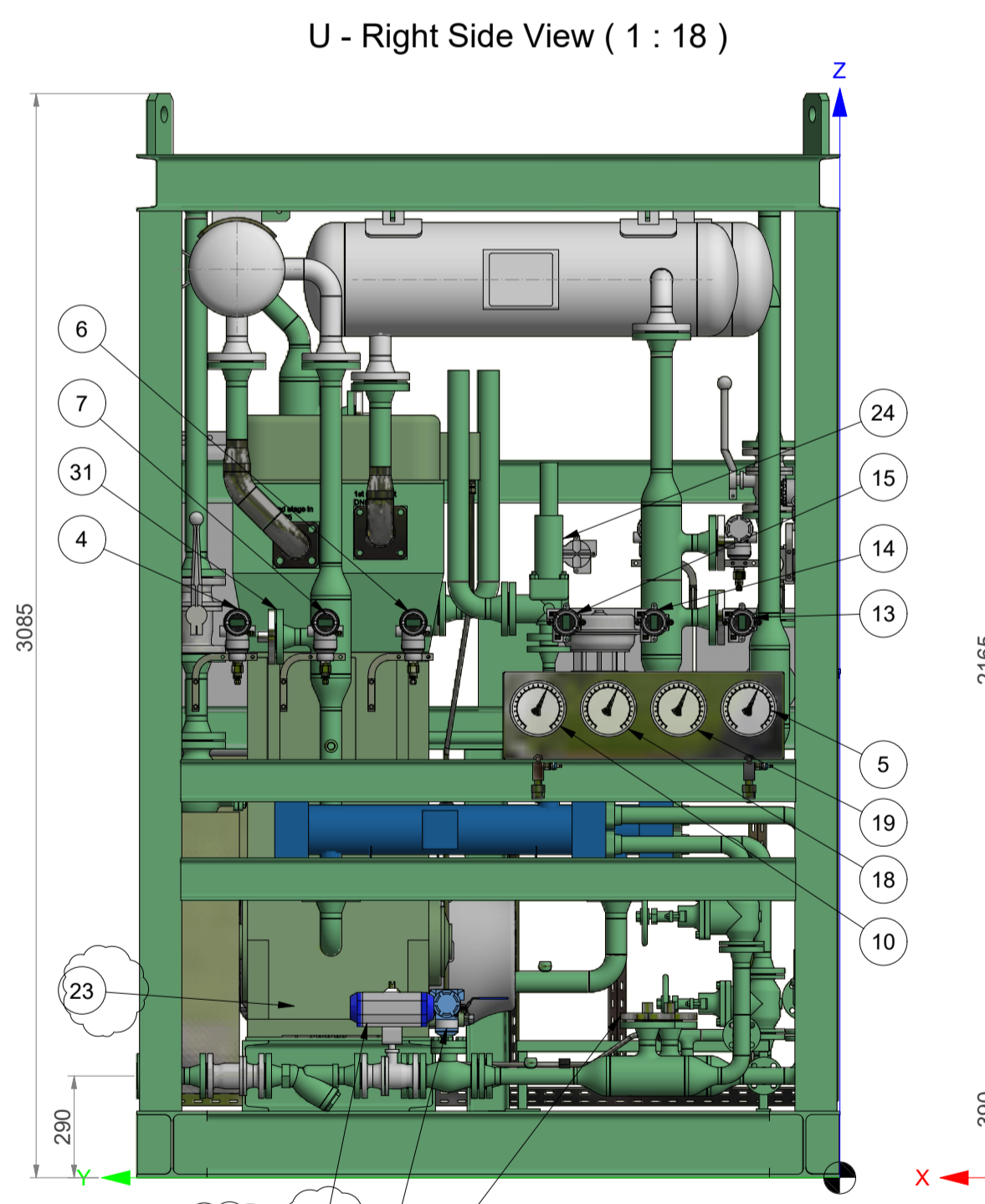
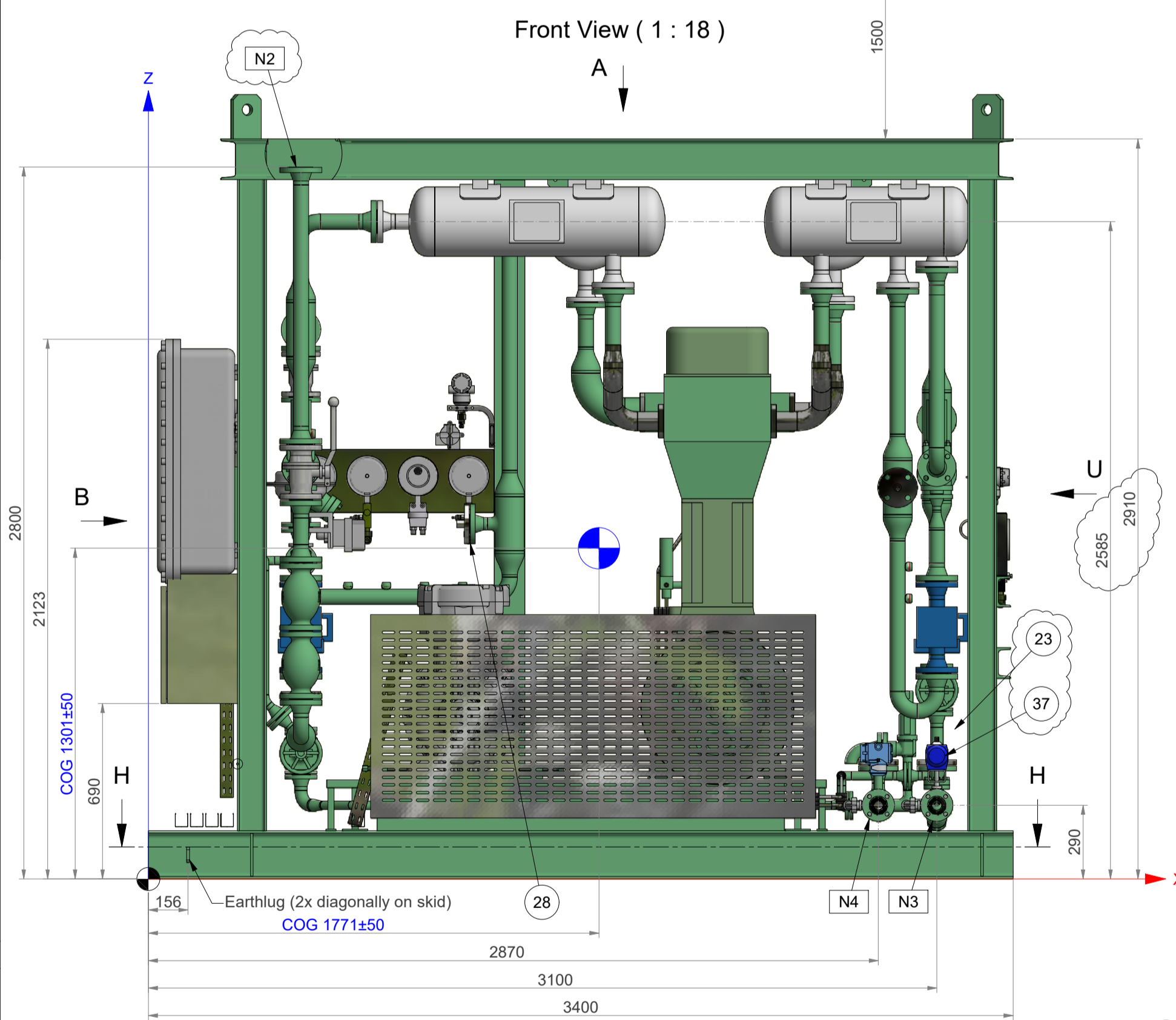
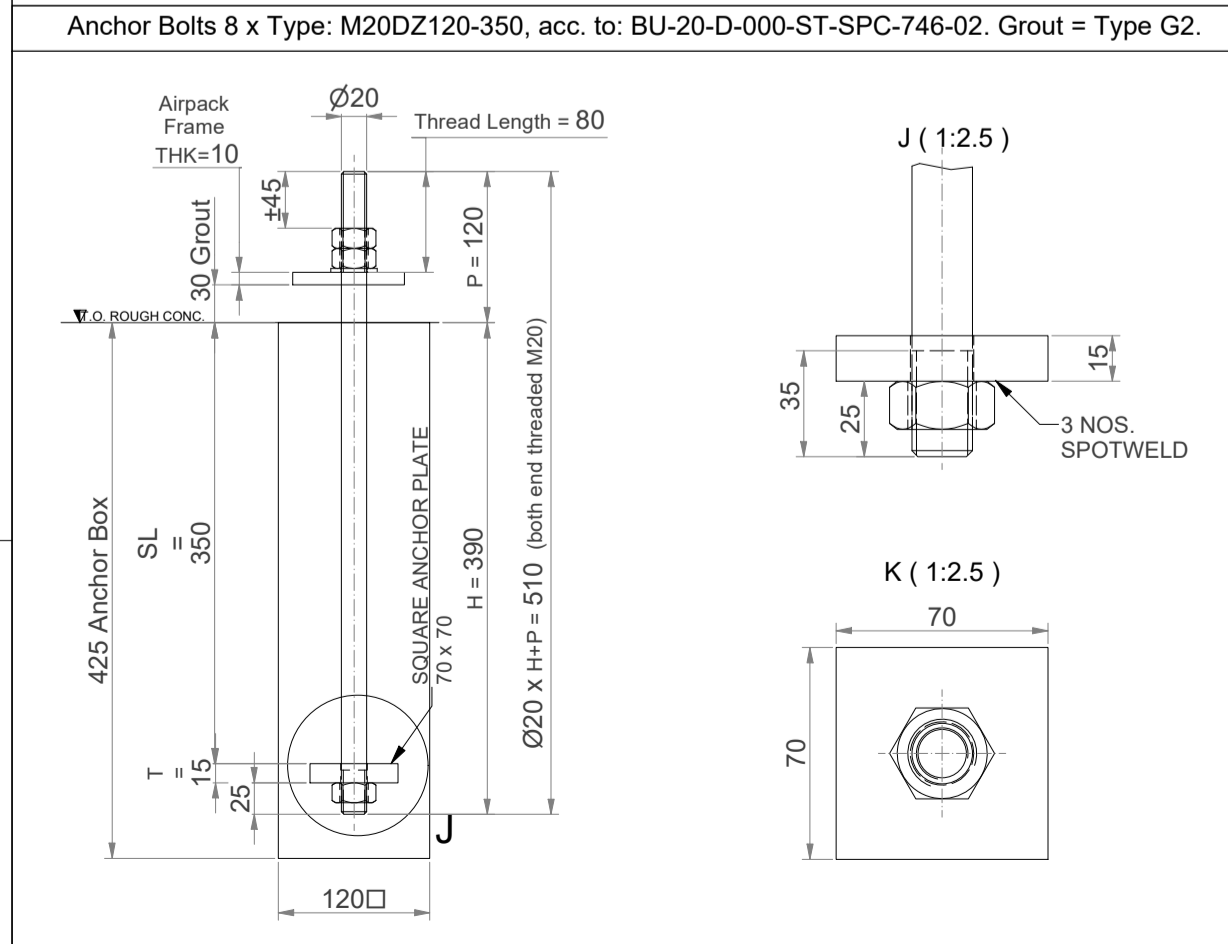
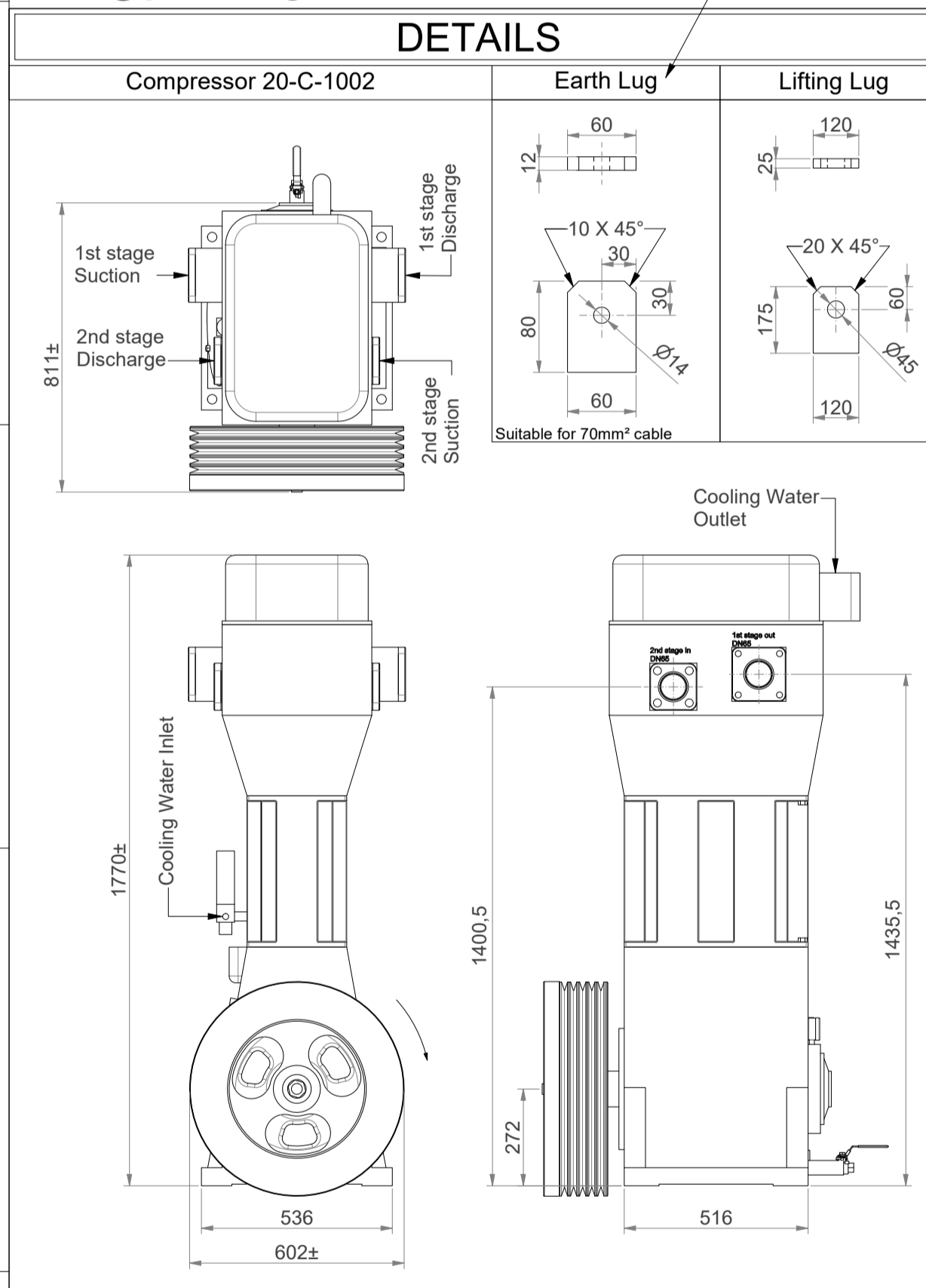
## GENERAL ARRANGEMENT DRAWING FOR NITROGEN GAS BOOSTER

05	19/01/2022	Approved for Construction	FvT	KP	PW	
04	04/11/2021	For approval	AV	KP	PW	
03	15/09/2021	For approval	AV	KP	PW	
02	12/01/2021	For approval	AV	KP	PW	
01	23/11/2020	For approval	AV	KP	PW	
00	30/10/2020	For approval	AV	KP	PW	
<b>Rev.</b>	<b>Date</b>	<b>Purpose of Issue</b>	<b>Prepared</b>	<b>Checked</b>	<b>Approved</b>	<b>AC Code</b>
					<b>Class: 1</b>	<b>Phase: P</b>





We understand that all Earthing lugs has to be suitable for 16mm<sup>2</sup> size cable, according to attached file to Rev04. However, we didn't received the attached file so far.



INSTRUMENT DATA			INSTRUMENT DATA		
Identification nr.	DEVICE	Tag Nr. Nitrogen Gas Booster Comp.	Identification nr.	DEVICE	Tag Nr. Nitrogen Gas Booster Comp.
1	Diff. Pressure Gauge	PG-10151	19	Temperature Gauge	TG-10158
2	Pressure Gauge	PG-10152	20	Flow Transmitter	FT-10151
3	Pressure Transmitter	PIT-10153	21	Vibration Transmitter	VT-10151
4	Pressure Transmitter	PIT-10154	22	Solenoid	XY-10151
5	Pressure Gauge	PG-10155	23	Solenoid	XY-10152
6	Pressure Transmitter	PIT-10156	24	Pressure Safety Valve	PSV-10151
7	Pressure Transmitter	PIT-10157	25	Pressure Safety Valve	PSV-10152
8	Pressure Transmitter	PIT-10158	26	Pressure Safety Valve	PSV-10153
9	Pressure Transmitter	PIT-10159	27	Pressure Control Valve	PV-10151
10	Pressure Gauge	PG-10160	28	Thermowell	TW-10151
11	Pressure Gauge	PG-10161	29	Thermowell	TW-10152
12	Temperature Transmitter	TIT-10151	30	Thermowell	TW-10153
13	Temperature Transmitter	TIT-10152	31	Thermowell	TW-10154
14	Temperature Transmitter	TIT-10153	32	Thermowell	TW-10155
15	Temperature Transmitter	TIT-10154	33	Thermowell	TW-10156
16	Temperature Transmitter	TIT-10155	34	Thermowell	TW-10157
17	Temperature Gauge	TG-10156	35	Thermowell	TW-10158
18	Temperature Gauge	TG-10157	36	Level Gauge	LG-10151

INSTRUMENT DATA			
Identification nr.	DEVICE	Tag Nr. Nitrogen Gas Booster Comp.	
37	Solenoid Valve	XV-10152	

JUNCTION BOX DATA			
Nr.	Description	X	Y
JNDX-C1002-01	JB Solenoid Valves	140	928
JIAX-C1002-01	JB Analog	140	618
LP-C1002-01	Local Control Panel	140	208
PD-C-1002-01	Power Distribution Board	35	1642

NOZZLE DATA			
Tie - in Point	Nozzle	Size	Rating
Nitrogen Inlet	N1	2" ANSI/ASME Sch80	150#
Nitrogen Outlet	N2	2" ANSI/ASME Sch80	300#
Cooling Water Inlet	N3	1 1/2" ANSI/ASME Sch80	150#
Cooling Water Outlet	N4	1 1/2" ANSI/ASME Sch80	150#

EQUIPMENT DATA			
Identification nr.	Description	Maintenance Weight (Kg) ±	Tag Nr. Nitrogen Comp.
E1	Compressor	1300	20-C-1002
E2	Main Motor	561	20-DC-1002-M
E3	Pulsation Damper Inlet 1st	127	20-DC-1002-1
E4	Pulsation Damper Outlet 1st	123	20-DC-1002-2
E5	Pulsation Damper Inlet 2nd	75	20-DC-1002-3
E6	Pulsation Damper Outlet 2nd	87	20-DC-1002-4
E7	Inter Cooler	-	20-AEC-1002-1
E8	After Cooler	-	20-AEC-1002-2
	Skid Construction Frame	1400	-

**FOOTPRINT of NITROGEN COMPRESSOR PACKAGE 20-C-1002**

ESTIMATED OPERATIONAL WEIGHT = 5200 Kg  
 HEAVIEST MAINTENANCE PART = 561 Kg  
 ESTIMATED STATIC LOAD = 51 kN  
 DYNAMIC LOAD IS NEGLIGIBLE DUE TO THE SIZE OF THE BASE FRAME.  
 OPERATIONAL FREQUENCY = 13 Hz

Subject: Bushehr Petrochemical Company (BUPC)

Client Ref: MEG20-PO-BP303-021

Client Doc. No: MEG20-PO-BP303-021

Revision: 05, 04, 03, 02, 01

Date: 19-1-2022, 4-11-2021, 15-9-2021, 23-11-2020

Drawn by: SdB, AV, KP, SdB, KP

Checked by: KP

Plant Location: IRAN Onshore

Scale: --

Airpack Ref: 17811-COM

Drawing No: 17811-Footprint-N2 Comp-1

Sheet 1 of 1