






OWNER:  شرکت سست و سویی توهمه ایران (سهامی عامه)	BUSHEHR PETROCHEMICAL COMPANY MEG PLANT						EPC CONTRACTOR:  Chagalesh-Enerchimi-Steam Joint Venture BUPC-MEG PLANT PROJECT		
	INSTRUMENT HOOK UP DRAWING FOR NITROGEN GAS BOOSTER								
MC :									
Owner Document Number: 17811-38A	Project	Area	Phase	Unit	Dis.	Doc.	Seq.	Rev.:	Page
	BU	20	VD	303	IN	DWG	0033	02	1 of 12

## INSTRUMENT HOOK UP DRAWING FOR NITROGEN GAS BOOSTER

Rev.	Date	Purpose of Issue	Prepared	Checked	Approved	AC Code
02	14/02/2022	For approval	WZ	KP	LdM	
01	16/11/2021	For approval	WZ	KP	LdM	
00	08/12/2020	For approval	WZ	KP	LdM	
					Class: 1	Phase: P



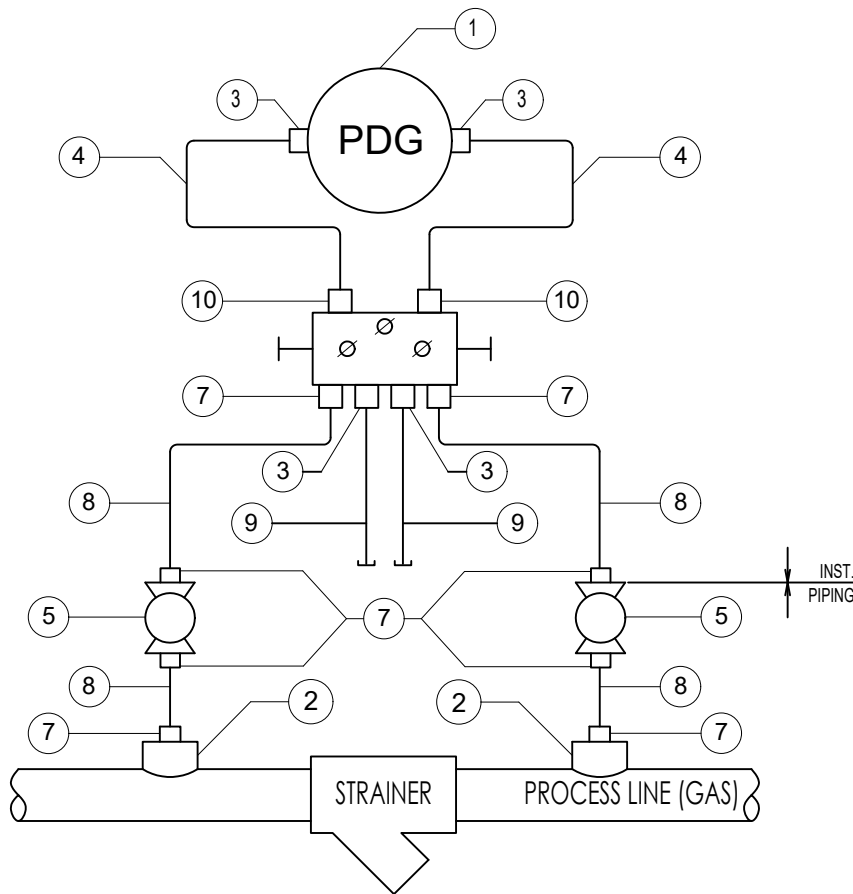
**BILL OF MATERIALS**


ITEM NO:	DESCRIPTION	MATERIAL	Q'TY
1	PRESSURE DIFFERENTIAL GAUGE	SS316	1
2	PROCESS CONNECTION 1/2" NPT-F	SS316	2
3	CONNECTOR DOUBLE COMPRESSION TYPE 1/4" NPT-M - 1/4" OD	SS316	4
4	TUBING 1/4" OD	SS316	-
5	2-WAY BALL VALVE 1/2" NPT-F	SS316	2
6	5-WAY BLOCK & BLEED MANIFOLD	SS316	1
7	CONNECTOR DOUBLE COMPRESSION TYPE 1/2" NPT-M - 1/2" OD	SS316	8
8	TUBING 1/2" OD	SS316	-
9	TUBING 1/4" OD WITH CAP	SS316	-
10	CONNECTOR DOUBLE COMPRESSION TYPE 1/2" NPT-M - 1/4" OD	SS316	2

TAG NO: PDG-10151

NO. OF INSTALLATIONS: 1

## PRESSURE DIFFERENTIAL GAUGE



	SUBJECT		INSTRUMENT HOOK UP DRAWING FOR NITROGEN COMPRESSOR	DATE	07-12-2020	THIS DRAWING IS OWNED BY AIRPACK AND SHALL NOT BE PRINTED OR COPIED IN ANY OTHER WAY THAN WITH AIRPACKS PERMISSION 02 11-02-2022 VZ 01 15-11-2021 VZ 00 07-12-2020 VZ
	CLIENT	Bushehr Petrochemical Company (BUPC)	PLANT LOCATION	IRAN, DNSHORE		
	CLIENT REF	17811	SCALE	-		
	AIRPACK REF	17811-COM	DRAWING NO.	17811-38		
MODIFICATIONS		SHEET		01/10		

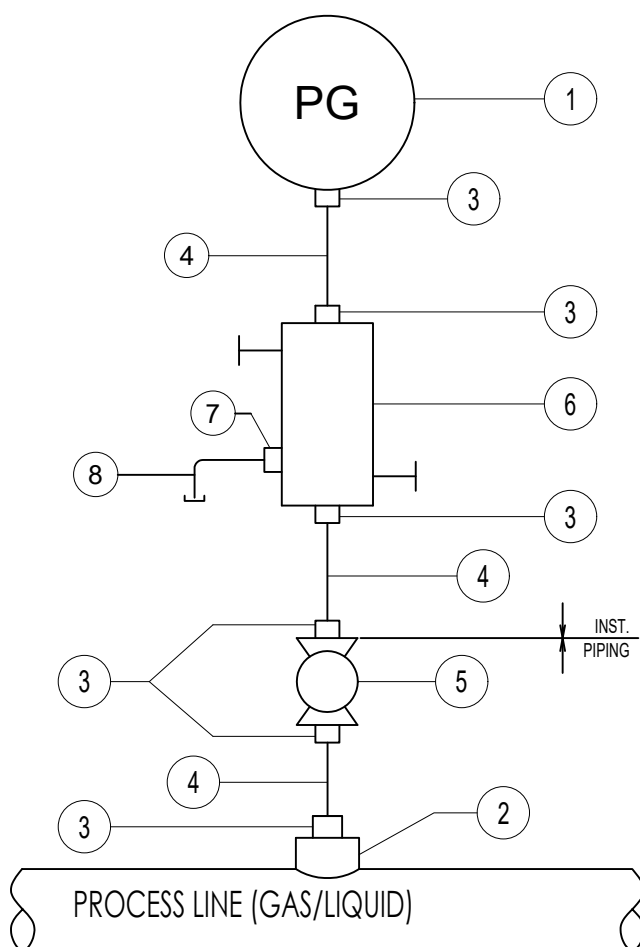
**BILL OF MATERIALS**


ITEM NO:	DESCRIPTION	MATERIAL	Q'TY
1	PRESSURE GAUGE	SS316	1
2	PROCESS CONNECTION 1/2" NPT-F	SS316	1
3	CONNECTOR DOUBLE COMPRESSION TYPE 1/2" NPT-M - 1/2" OD	SS316	6
4	TUBING 1/2" OD	SS316	-
5	2-WAY BALL VALVE 1/2" NPT-F	SS316	1
6	2-WAY BLOCK & BLEED MANIFOLD	SS316	1
7	CONNECTOR DOUBLE COMPRESSION TYPE 1/4" NPT-F - 1/4" OD	SS316	1
8	TUBING 1/4" OD WITH CAP	SS316	-

TAG NO: PG-10152 / PG-10155 / PG-10160/ PG-10161

NO. OF INSTALLATIONS: 4

## PRESSURE GAUGE



	SUBJECT		INSTRUMENT HOOK UP DRAWING FOR NITROGEN COMPRESSOR		DATE	07-12-2020	THIS DRAWING IS OWNED BY AIRPACK AND SHALL NOT BE PRINTED OR COPIED IN ANY OTHER WAY THAN WITH AIRPACKS PERMISSION 02 11-02-2022 VZ 01 15-11-2021 VZ 00 07-12-2020 VZ
	CLIENT	Bushehr Petrochemical Company (BUPC)		PLANT LOCATION	IRAN, DNSHORE		
	CLIENT REF	17811		SCALE	-		
	AIRPACK REF	17811-CDM		DRAWING NO.	17811-38		
		MODIFICATIONS		SHEET	02/10		

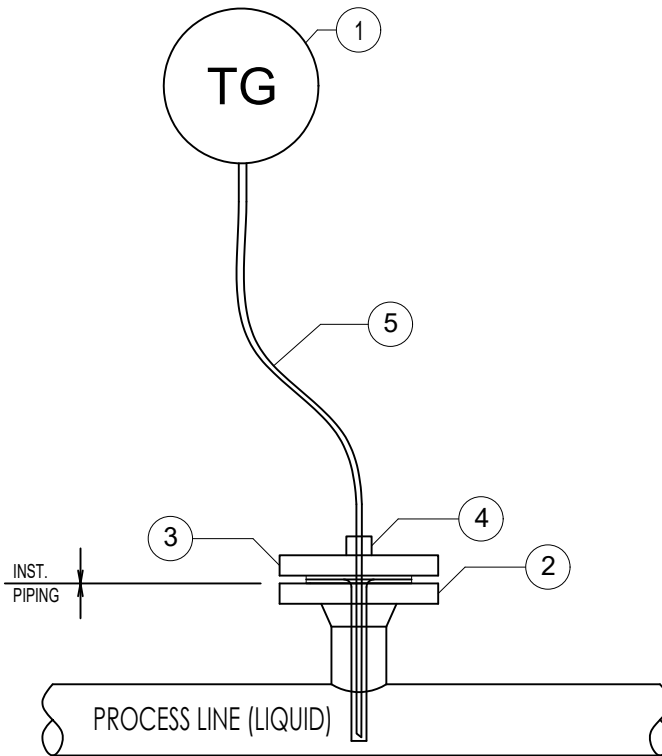
**BILL OF MATERIALS**


ITEM NO:	DESCRIPTION	MATERIAL	Q'TY
1	TEMPERATURE GAUGE	SS316	1
2	PROCESS CONNECTION 1 1/2" ANSI 300# RF	SS316	1
3	THERMOWELL 1 1/2" ANSI 300# RF	SS316	1
4	CONNECTOR DOUBLE COMPRESSION FITTING 1/2" NPT-M - 6 MM OD	SS316	1
5	CAPILARY, L=5M MOULDED TO TEMPERATURE ELEMENT	SS316	1

TAG NO: TG-10156 / TG-10157 / TG-10158

NO. OF INSTALLATIONS: 3

## TEMPERATURE GAUGE



	SUBJECT		INSTRUMENT HOOK UP DRAWING FOR NITROGEN COMPRESSOR		DATE	07-12-2020	THIS DRAWING IS OWNED BY AIRPACK AND SHALL NOT BE PRINTED OR COPIED IN ANY OTHER WAY THAN WITH AIRPACKS PERMISSION 02 11-02-2022 VZ 01 15-11-2021 VZ 00 07-12-2020 VZ
	CLIENT	Bushehr Petrochemical Company (BUPC)		PLANT LOCATION	IRAN, DNSHORE		
	CLIENT REF	17811		SCALE	-		
	AIRPACK REF	17811-COM		DRAWING NO.	17811-38		
		MODIFICATIONS		SHEET	03/10		

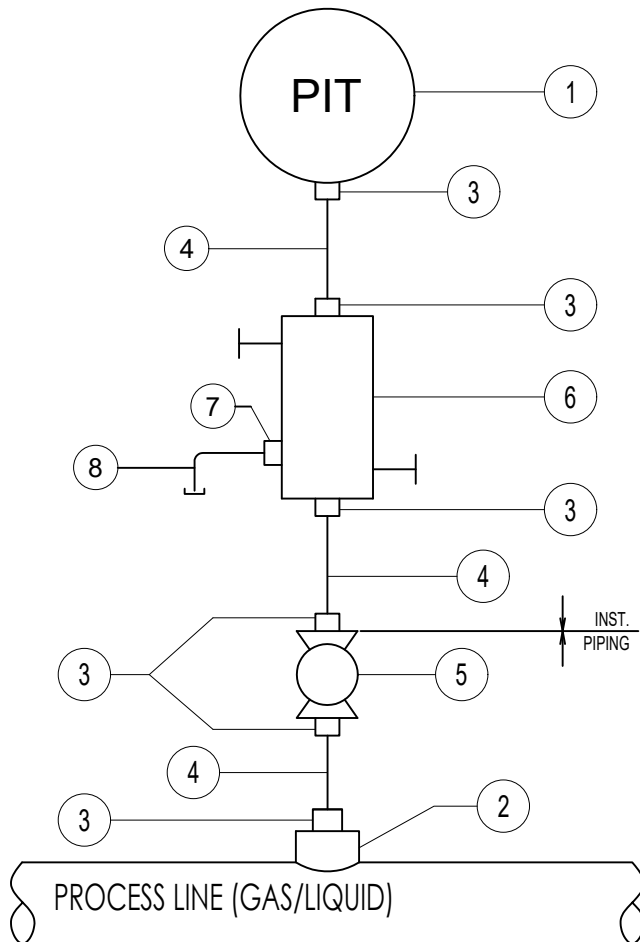
**BILL OF MATERIALS**


ITEM NO:	DESCRIPTION	MATERIAL	Q'TY
1	PRESSURE TRANSMITTER	ALUMINIUM	1
2	PROCESS CONNECTION 1/2" NPT-F	SS316	1
3	CONNECTOR DOUBLE COMPRESSION TYPE 1/2" NPT-M - 1/2" OD	SS316	6
4	TUBING 1/2" OD	SS316	-
5	2-WAY BALL VALVE 1/2" NPT-F	SS316	1
6	2-WAY BLOCK & BLEED MANIFOLD	SS316	1
7	CONNECTOR DOUBLE COMPRESSION TYPE 1/4" NPT-F - 1/4" OD	SS316	1
8	TUBING 1/4" OD WITH CAP	SS316	-

TAG NO: PIT-10153 / PIT-10154 / PIT-10156 / PIT-10157 / PIT-10158 / PIT-10159

NO. OF INSTALLATIONS: 6

## PRESSURE TRANSMITTER



	SUBJECT	INSTRUMENT HOOK UP DRAWING FOR NITROGEN COMPRESSOR	DATE	07-12-2020	THIS DRAWING IS OWNED BY AIRPACK AND SHALL NOT BE PRINTED OR COPIED IN ANY OTHER WAY THAN WITH AIRPACKS PERMISSION 02 11-02-2022 VZ 01 15-11-2021 VZ 00 07-12-2020 VZ	
	CLIENT	Bushehr Petrochemical Company (BUPC)	DRAWN BY	WZ		
	CLIENT REF	17811	CHECKED BY	KP		
	AIRPACK REF	17811-COM	PLANT LOCATION	IRAN, DNSHORE		
			SCALE	-		
			DRAWING NO.	17811-38	MODIFICATIONS	
					SHEET	04/10



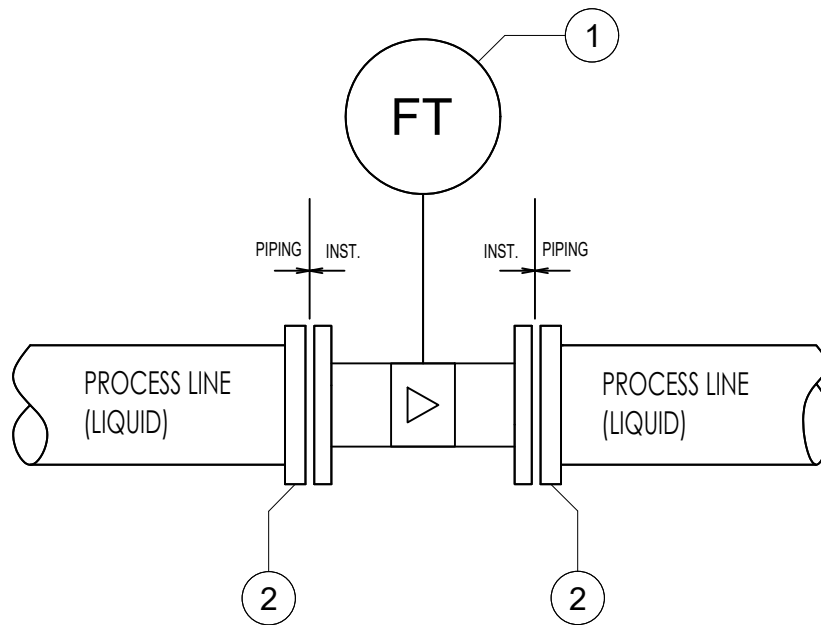
**BILL OF MATERIALS**


ITEM NO:	DESCRIPTION	MATERIAL	Q'TY
1	VORTEX FLOW TRANSMITTER	ALUMINIUM	1
2	PROCESS CONNECTION 1 1/2" ANSI 150# RF	SS 316	2

TAG NO: FT-10151

NO. OF INSTALLATIONS: 1

## FLOW TRANSMITTER



	SUBJECT		INSTRUMENT HOOK UP DRAWING FOR NITROGEN COMPRESSOR	DATE	07-12-2020	THIS DRAWING IS OWNED BY AIRPACK AND SHALL NOT BE PRINTED OR COPIED IN ANY OTHER WAY THAN WITH AIRPACKS PERMISSION 02 11-02-2022 VZ 01 15-11-2021 VZ 00 07-12-2020 VZ
	CLIENT	Bushehr Petrochemical Company (BUPC)	PLANT LOCATION	IRAN, DNSHORE		
	CLIENT REF	17811	SCALE	-		
	AIRPACK REF	17811-COM	DRAWING NO.	17811-38		
MODIFICATIONS		SHEET		06/10		

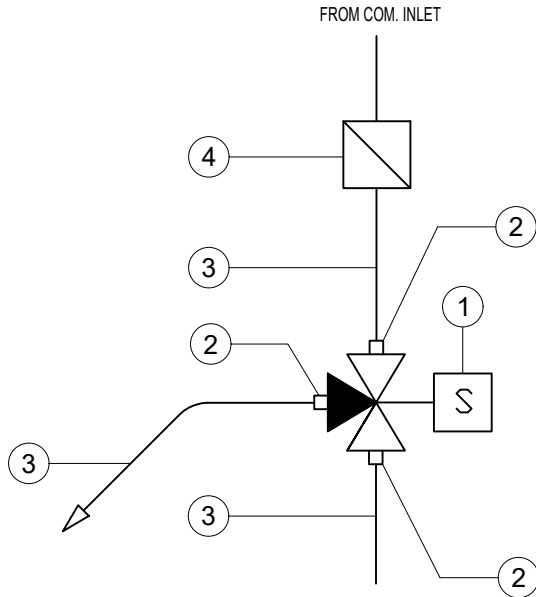
**BILL OF MATERIALS**


ITEM NO:	DESCRIPTION	MATERIAL	Q'TY
1	3-WAY SOLENOID VALVE	SS 316	1
2	CONNECTOR DOUBLE COMPRESSION TYPE 1/4" NPT-M - 1/4" OD	SS 316	3
3	TUBING 1/4" OD	SS 316	-
4	AIR INLET FILTER	SS 316	1

TAG NO: XY-10151

NO. OF INSTALLATIONS: 1

## SOLENOID VALVE



	SUBJECT		INSTRUMENT HOOK UP DRAWING FOR NITROGEN COMPRESSOR	DATE	07-12-2020	THIS DRAWING IS OWNED BY AIRPACK AND SHALL NOT BE PRINTED OR COPIED IN ANY OTHER WAY THAN WITH AIRPACKS PERMISSION 02 11-02-2022 VZ 01 15-11-2021 VZ 00 07-12-2020 VZ
	CLIENT	Bushehr Petrochemical Company (BUPC)	PLANT LOCATION	IRAN, DNSHORE		
	CLIENT REF	17811	SCALE	-		
	AIRPACK REF	17811-COM	DRAWING NO.	17811-38		
MODIFICATIONS		SHEET		07/10		

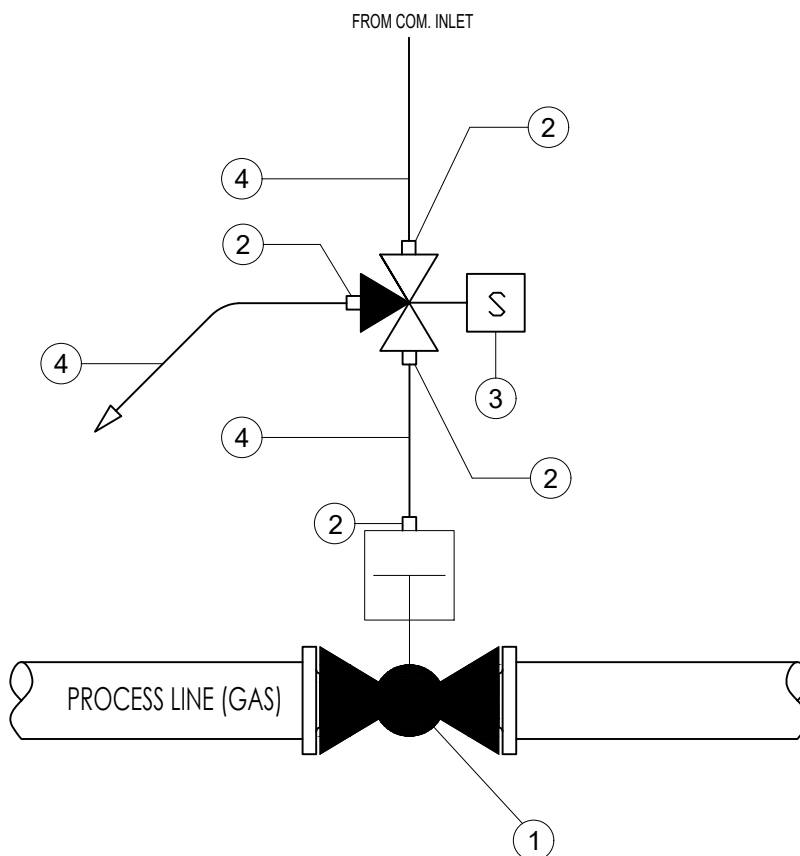
**BILL OF MATERIALS**


ITEM NO:	DESCRIPTION	MATERIAL	Q'TY
1	2-WAY BALL VALVE 1 1/2" ANSI 150# RF	SS 316	1
2	CONNECTOR DOUBLE COMPRESSION TYPE 1/4" NPT-M - 1/4" OD	SS 316	4
3	3-WAY SOLENOID VALVE	SS 316	1
4	TUBING 1/4" OD	SS 316	-

TAG NO: XV-10152  
XY-10152

NO. OF INSTALLATIONS: 2

## PNEUMATIC OPERATED BALL VALVE



	SUBJECT		INSTRUMENT HOOK UP DRAWING FOR NITROGEN COMPRESSOR	DATE	07-12-2020	THIS DRAWING IS OWNED BY AIRPACK AND SHALL NOT BE PRINTED OR COPIED IN ANY OTHER WAY THAN WITH AIRPACKS PERMISSION 02 11-02-2022 VZ 01 15-11-2021 VZ 00 07-12-2020 VZ
	CLIENT	Bushehr Petrochemical Company (BUPC)	PLANT LOCATION	IRAN, DNSHORE		
	CLIENT REF	17811	SCALE	-		
	AIRPACK REF	17811-COM	DRAWING NO.	17811-38		
		MODIFICATIONS	SHEET	08/10		

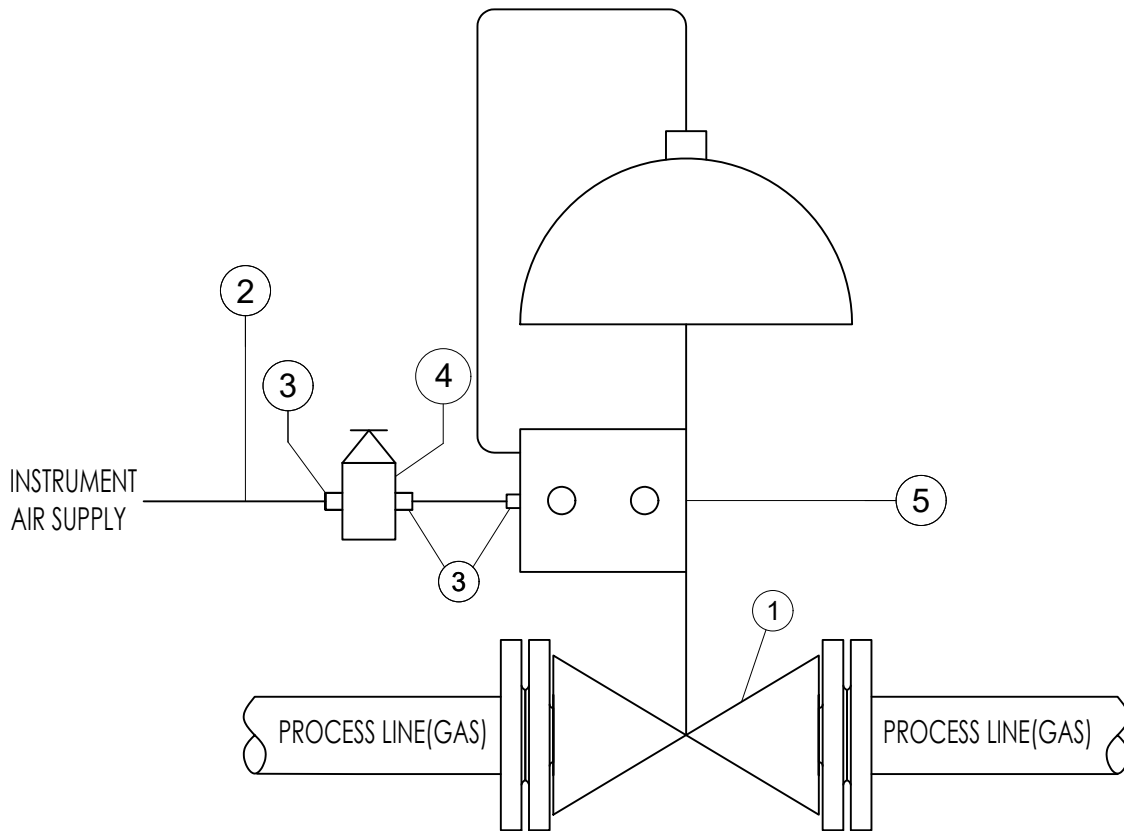
**BILL OF MATERIALS**


ITEM NO:	DESCRIPTION	MATERIAL	Q'TY
1	PRESSURE RECYCLE VALVE 1" ANSI 300# RF	SS316	1
2	TUBING 1/4" OD	SS316	-
3	CONNECTOR DOUBLE COMPRESSION TYPE 1/4" NPT-M x 1/4" OD	SS316	3
4	FILTER REGULATOR	SS316	1
5	VALVE POSITIONER WITH INLET AND OUTLET GAUGE	SS316	1

TAG NO: PV-10151

NO. OF INSTALLATIONS: 1

## PRESSURE RECYCLE VALVE



	SUBJECT		INSTRUMENT HOOK UP DRAWING FOR NITROGEN COMPRESSOR		DATE	07-12-2020	THIS DRAWING IS OWNED BY AIRPACK AND SHALL NOT BE PRINTED OR COPIED IN ANY OTHER WAY THAN WITH AIRPACKS PERMISSION 02 11-02-2022 VZ 01 15-11-2021 VZ 00 07-12-2020 VZ
	CLIENT	Bushehr Petrochemical Company (BUPC)		PLANT LOCATION	IRAN, DNSHORE		
	CLIENT REF	17811		SCALE	-		
	AIRPACK REF	17811-COM		DRAWING NO.	17811-38		
MODIFICATIONS		SHEET		09/10			

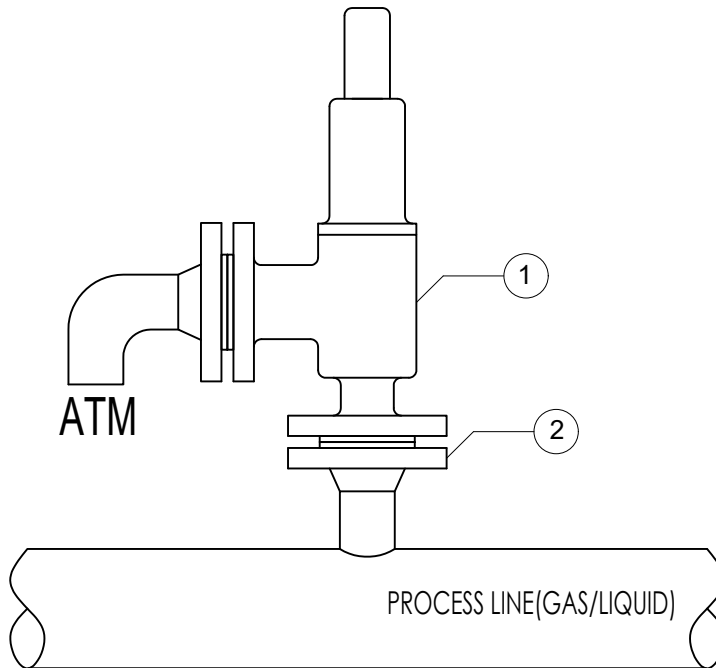
**BILL OF MATERIALS**


ITEM NO:	DESCRIPTION	MATERIAL	Q'TY
1	PRESSURE SAFETY VALVE 1" ANSI 300# RF / ... / VTA" ANSI 150# RF	SS 316	1
2	PROCESS CONNECTION 1" ANSI 150# RF	SS 316	1

TAG NO: PSV-10151 / PSV-10152 / PSV-10153

NO. OF INSTALLATIONS: 3

## PRESSURE SAFETY VALVE



	SUBJECT		INSTRUMENT HOOK UP DRAWING FOR NITROGEN COMPRESSOR		DATE	07-12-2020	THIS DRAWING IS OWNED BY AIRPACK AND SHALL NOT BE PRINTED OR COPIED IN ANY OTHER WAY THAN WITH AIRPACKS PERMISSION 02 11-02-2022 VZ 01 15-11-2021 VZ 00 07-12-2020 VZ
	CLIENT	Bushehr Petrochemical Company (BUPC)		PLANT LOCATION	IRAN, DNSHORE		
	CLIENT REF	17811		SCALE	-		
	AIRPACK REF	17811-COM		DRAWING NO.	17811-38		
				MODIFICATIONS	SHEET	10/10	