





OWNER:  شرکت سست و سویی گیس ایرپک (سهامی عامه)	BUSHEHR PETROCHEMICAL COMPANY MEG PLANT							EPC CONTRACTOR:  Chagalesh-Enerchimi-Steam Joint Venture BUPC-MEG PLANT PROJECT	
	INSTRUMENT HOOK UP DRAWING FOR NITROGEN GAS BOOSTER								
MC :  شرکت سست و سویی گیس ایرپک (سهامی عامه)	Project	Area	Phase	Unit	Dis.	Doc.	Seq.	Contract No : 52-98/445	
Owner Document Number: 17811-38A	BU	20	VD	303	IN	DWG	0033	Rev.:	Page
								03	1 of 14

INSTRUMENT HOOK UP DRAWING FOR NITROGEN GAS BOOSTER

03	06/04/2022	For approval	WZ	KP	LdM		
02	14/02/2022	For approval	WZ	KP	LdM		
01	16/11/2021	For approval	WZ	KP	LdM		
00	08/12/2020	For approval	WZ	KP	LdM		
Rev.	Date	Purpose of Issue	Prepared	Checked	Approved	AC Code	
						Class: 1	Phase: P

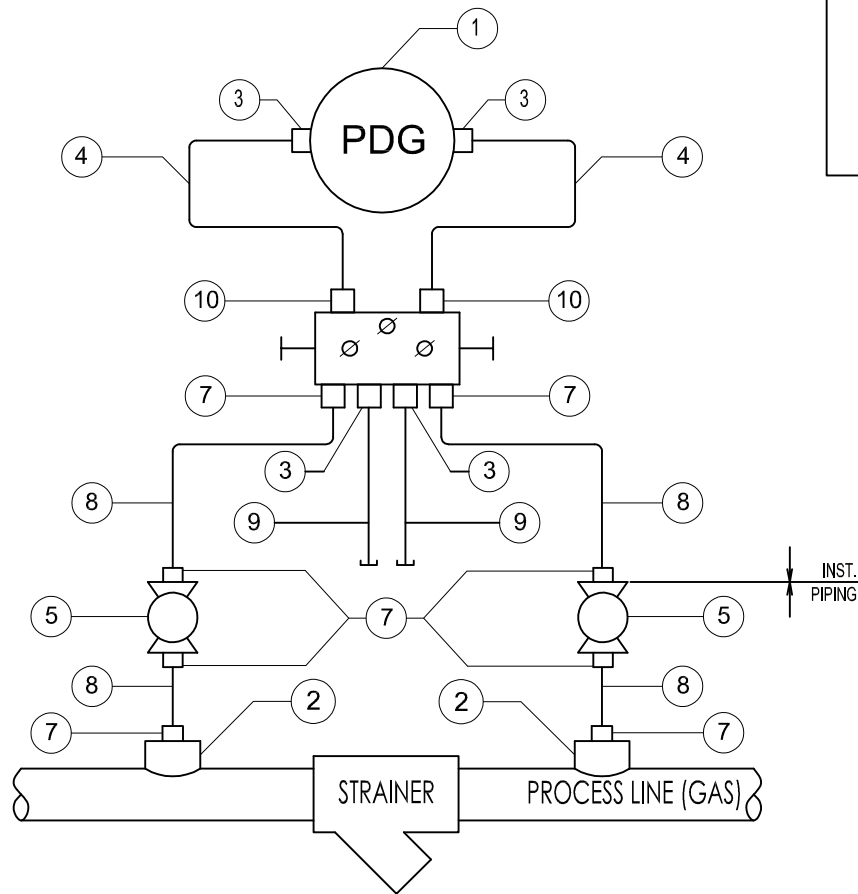
BILL OF MATERIALS

ITEM NO:	DESCRIPTION	MATERIAL	Q'TY
1	PRESSURE DIFFERENTIAL GAUGE	SS316	1
2	PROCESS CONNECTION 1/2" NPT-F	SS316	2
3	CONNECTOR DOUBLE COMPRESSION TYPE 1/4" NPT-M - 1/4" OD	SS316	4
4	TUBING 1/4" OD	SS316	-
5	2-WAY BALL VALVE 1/2" NPT-F	SS316	2
6	5-WAY BLOCK & BLEED MANIFOLD	SS316	1
7	CONNECTOR DOUBLE COMPRESSION TYPE 1/2" NPT-M - 1/2" OD	SS316	8
8	TUBING 1/2" OD	SS316	-
9	TUBING 1/4" OD WITH CAP	SS316	-
10	CONNECTOR DOUBLE COMPRESSION TYPE 1/2" NPT-M - 1/4" OD	SS316	2

TAG NO: PDG-10151

NO. OF INSTALLATIONS: 1

PRESSURE DIFFERENTIAL GAUGE



	SUBJECT		INSTRUMENT HOOK UP DRAWING FOR NITROGEN COMPRESSOR	DATE	07-12-2020	THIS DRAWING IS OWNED BY AIRPACK AND SHALL NOT BE PRINTED OR COPIED IN ANY OTHER WAY THAN WITH AIRPACKS PERMISSION 03 05-04-2022 VZ 02 11-02-2022 VZ 01 15-11-2021 VZ 00 07-12-2020 VZ
	CLIENT	Bushehr Petrochemical Company (BUPC)	PLANT LOCATION	IRAN, ONSHORE		
	CLIENT REF	17811	SCALE	-		
	AIRPACK REF	17811-COM	DRAWING NO.	17811-38		
	MODIFICATIONS		SHEET		01/12	

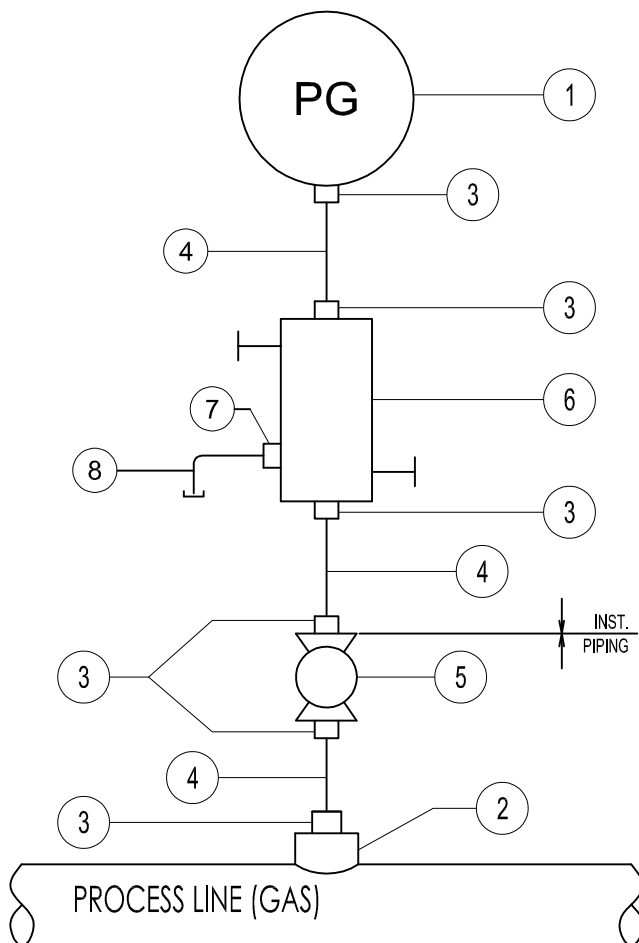
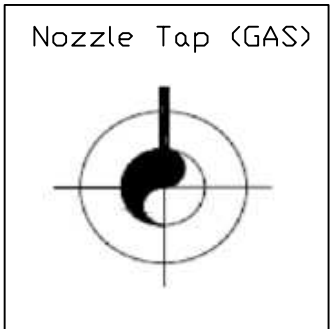
BILL OF MATERIALS

ITEM NO:	DESCRIPTION	MATERIAL	Q'TY
1	PRESSURE GAUGE	SS316	1
2	PROCESS CONNECTION 1/2" NPT-F	SS316	1
3	CONNECTOR DOUBLE COMPRESSION TYPE 1/2" NPT-M - 1/2" OD	SS316	6
4	TUBING 1/2" OD	SS316	-
5	2-WAY BALL VALVE 1/2" NPT-F	SS316	1
6	2-WAY BLOCK & BLEED MANIFOLD	SS316	1
7	CONNECTOR DOUBLE COMPRESSION TYPE 1/4" NPT-F - 1/4" OD	SS316	1
8	TUBING 1/4" OD WITH CAP	SS316	-

TAG NO: PG-10152 / PG-10155 / PG-10161

NO. OF INSTALLATIONS: 3

PRESSURE GAUGE



	SUBJECT		INSTRUMENT HOOK UP DRAWING FOR NITROGEN COMPRESSOR	DATE	07-12-2020	THIS DRAWING IS OWNED BY AIRPACK AND SHALL NOT BE PRINTED OR COPIED IN ANY OTHER WAY THAN WITH AIRPACKS PERMISSION 03 05-04-2022 VZ 02 11-02-2022 VZ 01 15-11-2021 VZ 00 07-12-2020 VZ
	CLIENT	Bushehr Petrochemical Company (BUPC)	PLANT LOCATION	IRAN, ONSHORE		
	CLIENT REF	17811	SCALE	-		
	AIRPACK REF	17811-COM	DRAWING NO.	17811-38		
		MODIFICATIONS		SHEET	02/12	

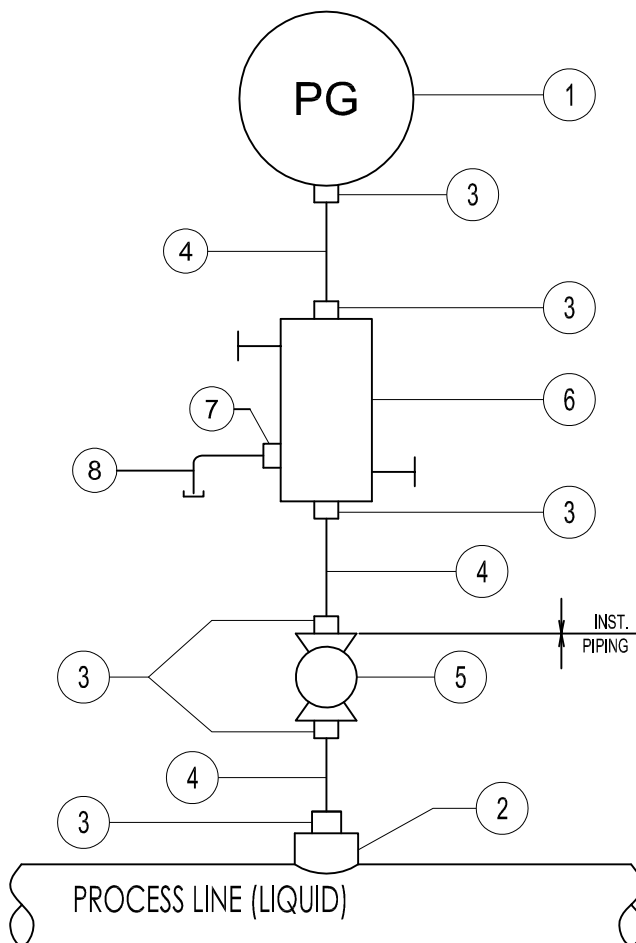
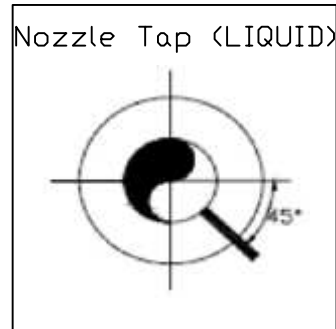
BILL OF MATERIALS

ITEM NO:	DESCRIPTION	MATERIAL	Q'TY
1	PRESSURE GAUGE	SS316	1
2	PROCESS CONNECTION 1/2" NPT-F	SS316	1
3	CONNECTOR DOUBLE COMPRESSION TYPE 1/2" NPT-M - 1/2" OD	SS316	6
4	TUBING 1/2" OD	SS316	-
5	2-WAY BALL VALVE 1/2" NPT-F	SS316	1
6	2-WAY BLOCK & BLEED MANIFOLD	SS316	1
7	CONNECTOR DOUBLE COMPRESSION TYPE 1/4" NPT-F - 1/4" OD	SS316	1
8	TUBING 1/4" OD WITH CAP	SS316	-

TAG NO: PG-10160

NO. OF INSTALLATIONS: 1

PRESSURE GAUGE



	SUBJECT		INSTRUMENT HOOK UP DRAWING FOR NITROGEN COMPRESSOR		DATE	07-12-2020	THIS DRAWING IS OWNED BY AIRPACK AND SHALL NOT BE PRINTED OR COPIED IN ANY OTHER WAY THAN WITH AIRPACKS PERMISSION 03 05-04-2022 VZ 02 11-02-2022 VZ 01 15-11-2021 VZ 00 07-12-2020 VZ
	CLIENT	Bushehr Petrochemical Company (BUPC)	PLANT LOCATION	IRAN, ONSHORE	DRAWN BY	WZ	
	CLIENT REF	17811	SCALE	-	CHECKED BY	KP	
	AIRPACK REF	17811-COM	DRAWING NO.	17811-38	MODIFICATIONS		
							SHEET 03/12

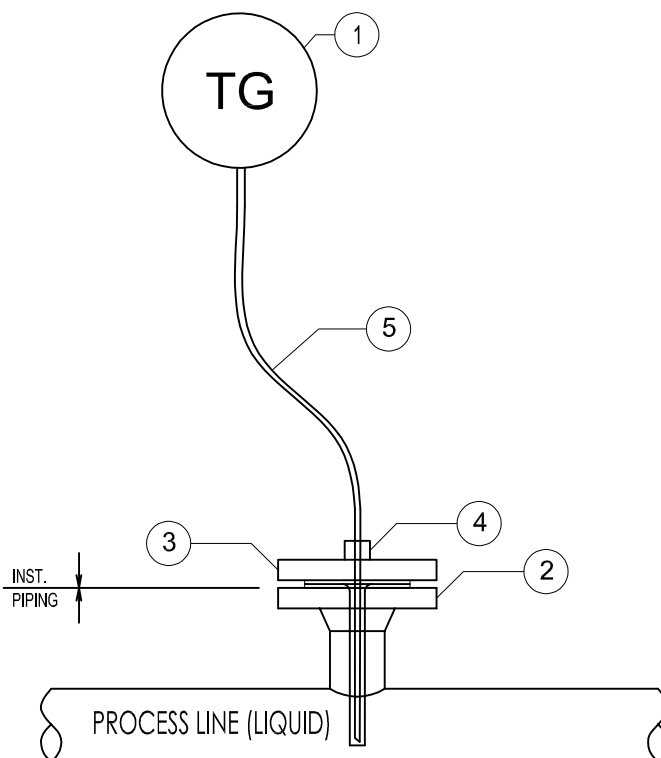
BILL OF MATERIALS


ITEM NO:	DESCRIPTION	MATERIAL	Q'TY
1	TEMPERATURE GAUGE	SS316	1
2	PROCESS CONNECTION 1 1/2" ANSI 300# RF	SS316	1
3	THERMOWELL 1 1/2" ANSI 300# RF	SS316	1
4	CONNECTOR DOUBLE COMPRESSION FITTING 1/2" NPT-M - 6 MM OD	SS316	1
5	CAPILARY, L=5M MOULDED TO TEMPERATURE ELEMENT	SS316	1

TAG NO: TG-10156 / TG-10157 / TG-10158

NO. OF INSTALLATIONS: 3

TEMPERATURE GAUGE



	SUBJECT		INSTRUMENT HOOK UP DRAWING FOR NITROGEN COMPRESSOR		DATE	07-12-2020	THIS DRAWING IS OWNED BY AIRPACK AND SHALL NOT BE PRINTED OR COPIED IN ANY OTHER WAY THAN WITH AIRPACKS PERMISSION 03 05-04-2022 VZ 02 11-02-2022 VZ 01 15-11-2021 VZ 00 07-12-2020 VZ
	CLIENT	Bushehr Petrochemical Company (BUPC)		PLANT LOCATION	IRAN, ONSHORE		
	CLIENT REF	17811		SCALE	-		
	AIRPACK REF	17811-COM		DRAWING NO.	17811-38		
	MODIFICATIONS		SHEET		04/12		

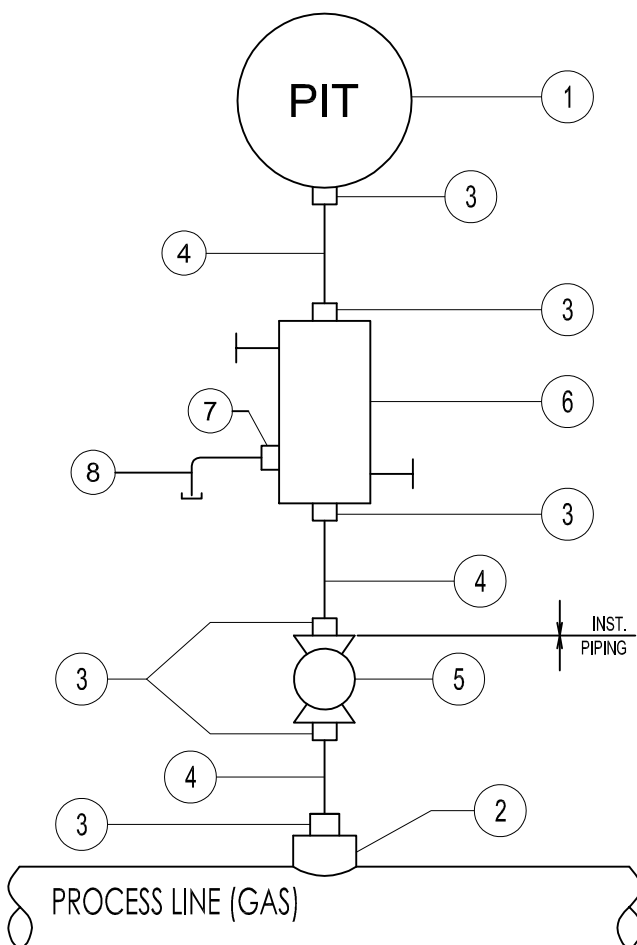
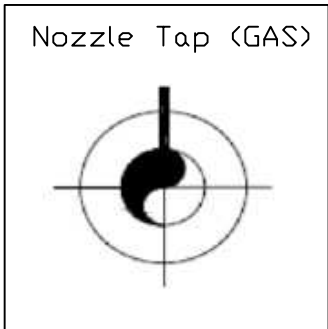
BILL OF MATERIALS

ITEM NO:	DESCRIPTION	MATERIAL	Q'TY
1	PRESSURE TRANSMITTER	ALUMINIUM	1
2	PROCESS CONNECTION 1/2" NPT-F	SS316	1
3	CONNECTOR DOUBLE COMPRESSION TYPE 1/2" NPT-M - 1/2" OD	SS316	6
4	TUBING 1/2" OD	SS316	-
5	2-WAY BALL VALVE 1/2" NPT-F	SS316	1
6	2-WAY BLOCK & BLEED MANIFOLD	SS316	1
7	CONNECTOR DOUBLE COMPRESSION TYPE 1/4" NPT-F - 1/4" OD	SS316	1
8	TUBING 1/4" OD WITH CAP	SS316	-

TAG NO: PIT-10153 / PIT-10156 / PIT-10157 / PIT-10158 / PIT-10159

NO. OF INSTALLATIONS: 6

PRESSURE TRANSMITTER



SUBJECT		INSTRUMENT HOOK UP DRAWING FOR NITROGEN COMPRESSOR		DATE	07-12-2020	THIS DRAWING IS OWNED BY AIRPACK AND SHALL NOT BE PRINTED OR COPIED IN ANY OTHER WAY THAN WITH AIRPACKS PERMISSION			
CLIENT		Bushehr Petrochemical Company (BUPC)		DRAWN BY	WZ		03	05-04-2022	WZ
CLIENT REF		17811		CHECKED BY	KP		02	11-02-2022	WZ
AIRPACK REF		17811-CDM		PLANT LOCATION	IRAN, ONSHORE		01	15-11-2021	WZ
				SCALE	-	00	07-12-2020	WZ	
				DRAWING NO.	17811-38	MODIFICATIONS	SHEET	05/12	

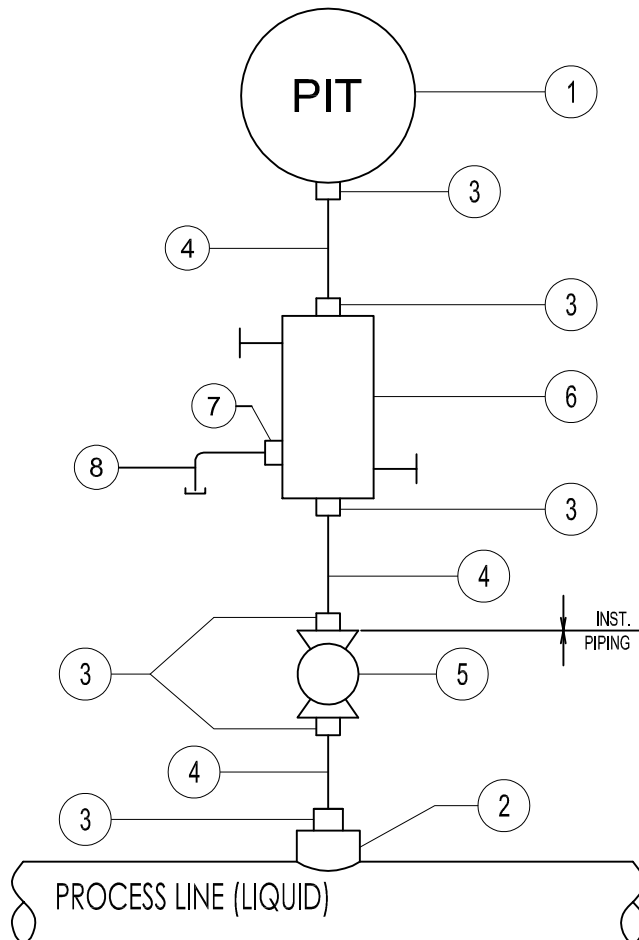
BILL OF MATERIALS


ITEM NO:	DESCRIPTION	MATERIAL	Q'TY
1	PRESSURE TRANSMITTER	ALUMINIUM	1
2	PROCESS CONNECTION 1/2" NPT-F	SS316	1
3	CONNECTOR DOUBLE COMPRESSION TYPE 1/2" NPT-M - 1/2" OD	SS316	6
4	TUBING 1/2" OD	SS316	-
5	2-WAY BALL VALVE 1/2" NPT-F	SS316	1
6	2-WAY BLOCK & BLEED MANIFOLD	SS316	1
7	CONNECTOR DOUBLE COMPRESSION TYPE 1/4" NPT-F - 1/4" OD	SS316	1
8	TUBING 1/4" OD WITH CAP	SS316	-

TAG NO: PIT-10154

NO. OF INSTALLATIONS: 6

PRESSURE TRANSMITTER



	SUBJECT	INSTRUMENT HOOK UP DRAWING FOR NITROGEN COMPRESSOR	DATE	07-12-2020	THIS DRAWING IS OWNED BY AIRPACK AND SHALL NOT BE PRINTED OR COPIED IN ANY OTHER WAY THAN WITH AIRPACKS PERMISSION 03 05-04-2022 VZ 02 11-02-2022 VZ 01 15-11-2021 VZ 00 07-12-2020 VZ
	CLIENT	Bushehr Petrochemical Company (BUPC)	PLANT LOCATION	IRAN, ONSHORE	
	CLIENT REF	17811	SCALE	-	
	AIRPACK REF	17811-COM	DRAWING NO.	17811-38	
MODIFICATIONS		SHEET		06/12	

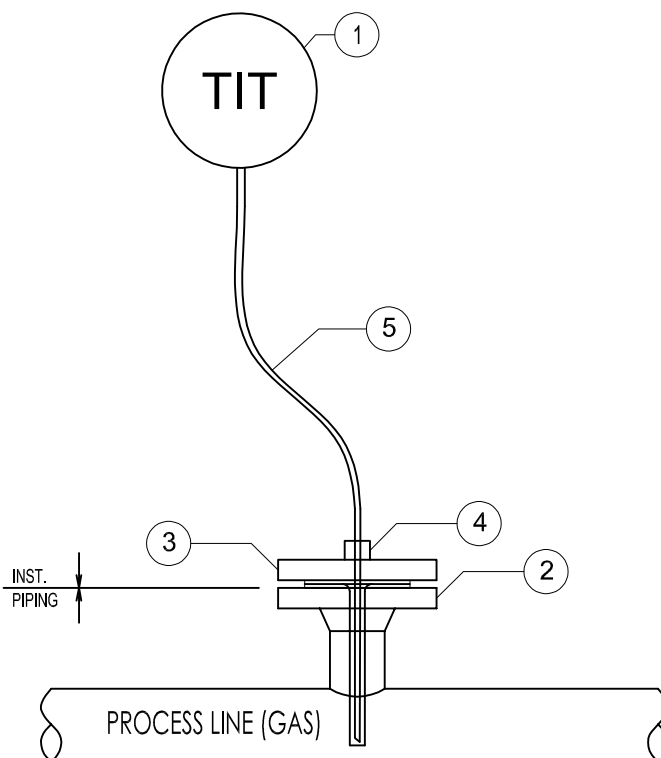
BILL OF MATERIALS


ITEM NO:	DESCRIPTION	MATERIAL	Q'TY
1	TEMPERATURE TRANSMITTER	ALUMINIUM	1
2	PROCESS CONNECTION 1 1/2" ANSI 300# RF	SS316	1
3	THERMOWELL 1 1/2" ANSI 300# RF	SS316	1
4	CONNECTOR DOUBLE COMPRESSION FITTING 1/2" NPT-M - 6 MM OD	SS316	1
5	CAPILARY, L=5M MOULDED TO TEMPERATURE ELEMENT	SS316	1

TAG NO: TIT-10151 / TIT-10152 / TIT-10153 / TIT-10154 / TIT-10155

NO. OF INSTALLATIONS: 4

TEMPERATURE TRANSMITTER



	SUBJECT	INSTRUMENT HOOK UP DRAWING FOR NITROGEN COMPRESSOR	DATE	07-12-2020	THIS DRAWING IS OWNED BY AIRPACK AND SHALL NOT BE PRINTED OR COPIED IN ANY OTHER WAY THAN WITH AIRPACKS PERMISSION 03 05-04-2022 VZ 02 11-02-2022 VZ 01 15-11-2021 VZ 00 07-12-2020 VZ
	CLIENT	Bushehr Petrochemical Company (BUPC)	CHECKED BY	KP	
	CLIENT REF	17811	PLANT LOCATION	IRAN, ONSHORE	
	AIRPACK REF	17811-COM	SCALE	-	
			DRAWING NO.	17811-38	
		MODIFICATIONS		SHEET	07/12

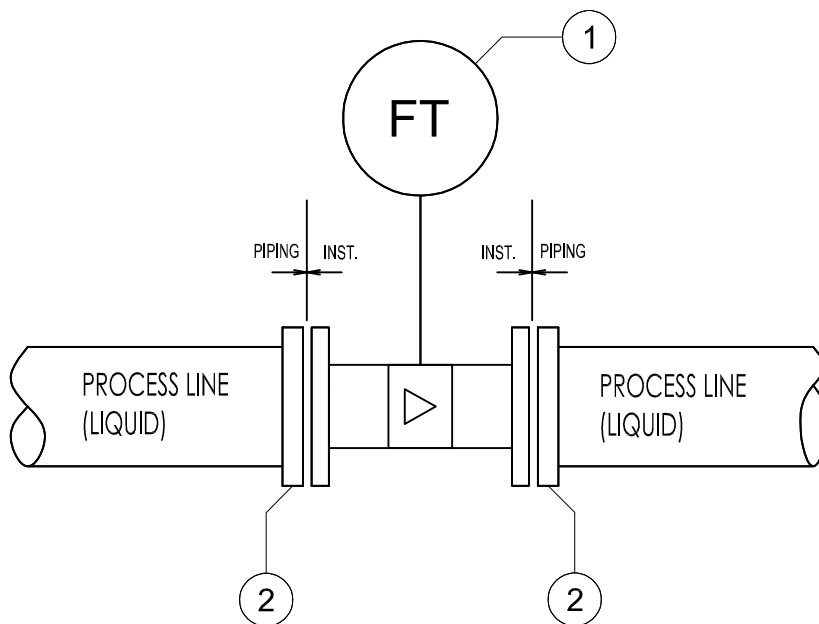
BILL OF MATERIALS


ITEM NO:	DESCRIPTION	MATERIAL	Q'TY
1	VORTEX FLOW TRANSMITTER	ALUMINIUM	1
2	PROCESS CONNECTION 1 1/2" ANSI 150# RF	SS 316	2

TAG NO: FT-10151

NO. OF INSTALLATIONS: 1

FLOW TRANSMITTER



	SUBJECT	INSTRUMENT HOOK UP DRAWING FOR NITROGEN COMPRESSOR	DATE	07-12-2020	THIS DRAWING IS OWNED BY AIRPACK AND SHALL NOT BE PRINTED OR COPIED IN ANY OTHER WAY THAN WITH AIRPACKS PERMISSION
	CLIENT	Bushehr Petrochemical Company (BUPC)	DRAWN BY	WZ	
	CLIENT REF	17811	CHECKED BY	KP	
	AIRPACK REF	17811-COM	PLANT LOCATION	IRAN, ONSHORE	
			SCALE	-	
			DRAWING NO.	17811-38	MODIFICATIONS
					SHEET
					08/12

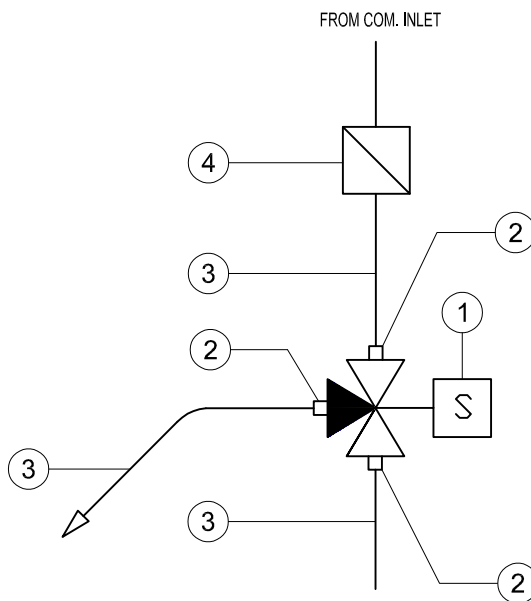
BILL OF MATERIALS


ITEM NO:	DESCRIPTION	MATERIAL	Q'TY
1	3-WAY SOLENOID VALVE	SS 316	1
2	CONNECTOR DOUBLE COMPRESSION TYPE 1/4" NPT-M - 1/4" OD	SS 316	3
3	TUBING 1/4" OD	SS 316	-
4	AIR INLET FILTER/REGULATOR	SS 316	1

TAG NO: XY-10151

NO. OF INSTALLATIONS: 1

SOLENOID VALVE



	SUBJECT	INSTRUMENT HOOK UP DRAWING FOR NITROGEN COMPRESSOR	DATE	07-12-2020	THIS DRAWING IS OWNED BY AIRPACK AND SHALL NOT BE PRINTED OR COPIED IN ANY OTHER WAY THAN WITH AIRPACKS PERMISSION
	CLIENT	Bushehr Petrochemical Company (BUPC)	DRAWN BY	WZ	
	CLIENT REF	17811	CHECKED BY	KP	
	AIRPACK REF	17811-COM	PLANT LOCATION	IRAN, ONSHORE	
			SCALE	-	03 05-04-2022 WZ
			DRAWING NO.	17811-38	02 11-02-2022 WZ
					01 15-11-2021 WZ
					00 07-12-2020 WZ
					MODIFICATIONS SHEET 09/12

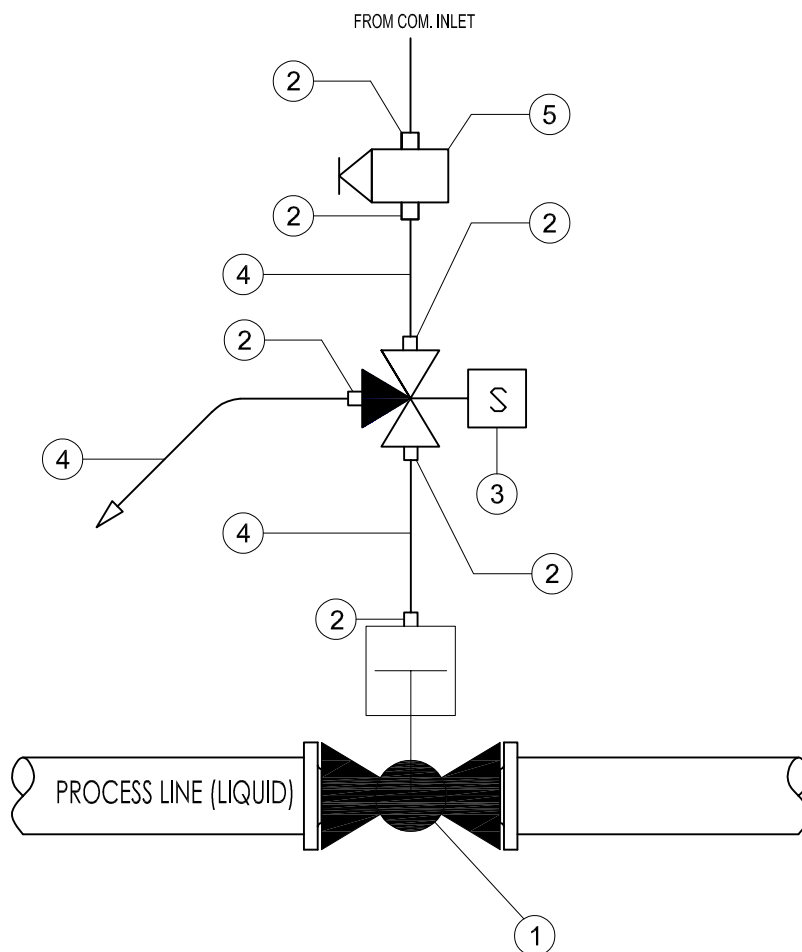
BILL OF MATERIALS


ITEM NO:	DESCRIPTION	MATERIAL	Q'TY
1	2-WAY BALL VALVE 1 1/2" ANSI 150# RF	SS 316	1
2	CONNECTOR DOUBLE COMPRESSION TYPE 1/4" NPT-M - 1/4" OD	SS 316	4
3	3-WAY SOLENOID VALVE	SS 316	1
4	TUBING 1/4" OD	SS 316	-
5	FILTER REGULATOR	SS316	1

TAG NO: XV-10152
XY-10152

NO. OF INSTALLATIONS: 1

PNEUMATIC OPERATED BALL VALVE



	SUBJECT	INSTRUMENT HOOK UP DRAWING FOR NITROGEN COMPRESSOR	DATE	07-12-2020	THIS DRAWING IS OWNED BY AIRPACK AND SHALL NOT BE PRINTED OR COPIED IN ANY OTHER WAY THAN WITH AIRPACKS PERMISSION
	CLIENT	Bushehr Petrochemical Company (BUPC)	DRAWN BY	WZ	
	CLIENT REF	17811	CHECKED BY	KP	
	AIRPACK REF	17811-COM	PLANT LOCATION	IRAN, ONSHORE	
			SCALE	-	
		DRAWING NO.	17811-38	MODIFICATIONS	
				SHEET	10/12

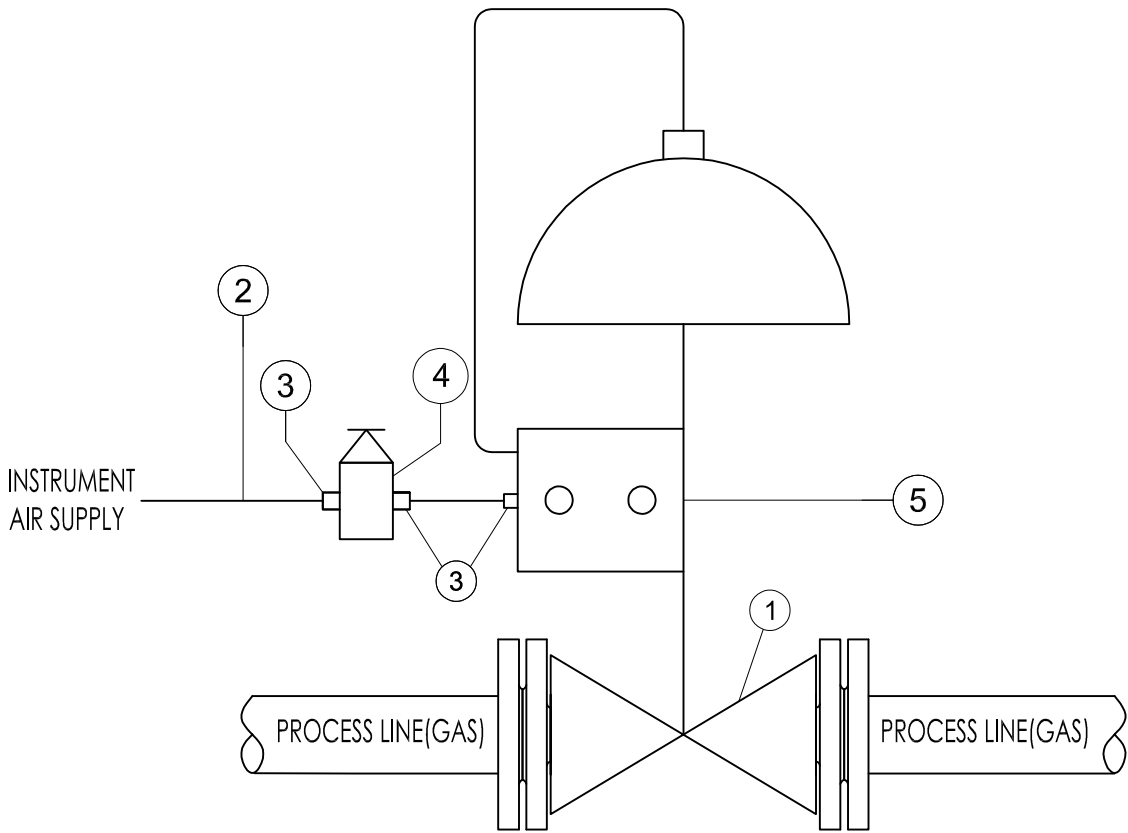
BILL OF MATERIALS

ITEM NO:	DESCRIPTION	MATERIAL	Q'TY
1	PRESSURE RECYCLE VALVE 1" ANSI 300# RF	SS316	1
2	TUBING 1/4" OD	SS316	-
3	CONNECTOR DOUBLE COMPRESSION TYPE 1/4" NPT-M x 1/4" OD	SS316	3
4	FILTER REGULATOR	SS316	1
5	VALVE POSITIONER WITH INLET AND OUTLET GAUGE	SS316	1

TAG NO: PV-10151

NO. OF INSTALLATIONS: 1

PRESSURE RECYCLE VALVE



SUBJECT		INSTRUMENT HOOK UP DRAWING FOR NITROGEN COMPRESSOR		DATE	07-12-2020	THIS DRAWING IS OWNED BY AIRPACK AND SHALL NOT BE PRINTED OR COPIED IN ANY OTHER WAY THAN WITH AIRPACKS PERMISSION			
CLIENT		Bushehr Petrochemical Company (BUPC)		DRAWN BY	WZ		03	05-04-2022	WZ
CLIENT REF		17811		CHECKED BY	KP		02	11-02-2022	WZ
AIRPACK REF		17811-COM		PLANT LOCATION	IRAN, ONSHORE		01	15-11-2021	WZ
				SCALE	-	00	07-12-2020	WZ	
				DRAWING NO.	17811-38	MODIFICATIONS	SHEET	11/12	

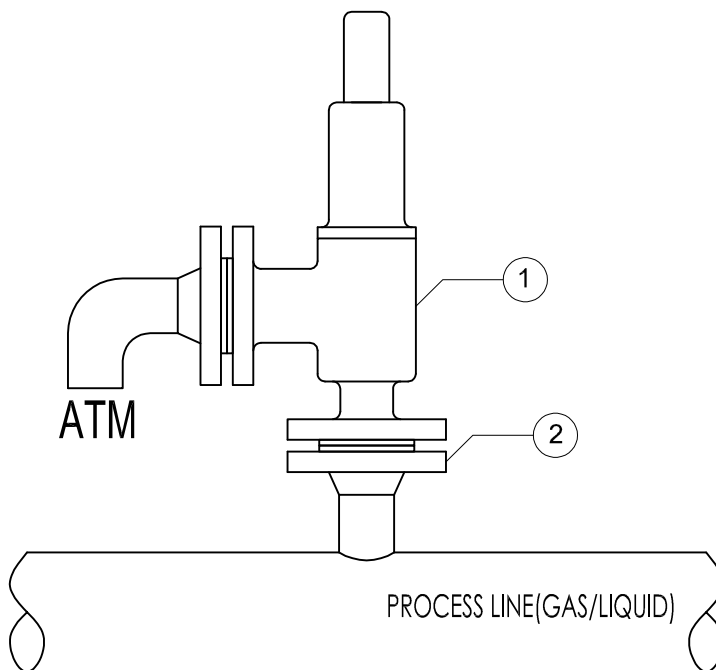
BILL OF MATERIALS


ITEM NO:	DESCRIPTION	MATERIAL	Q'TY
1	PRESSURE SAFETY VALVE 1" ANSI 300# RF / ... / VTA" ANSI 150# RF	SS 316	1
2	PROCESS CONNECTION 1" ANSI 150# RF	SS 316	1

TAG NO: PSV-10151 / PSV-10152 / PSV-10153

NO. OF INSTALLATIONS: 3

PRESSURE SAFETY VALVE



	SUBJECT		INSTRUMENT HOOK UP DRAWING FOR NITROGEN COMPRESSOR		DATE	07-12-2020	THIS DRAWING IS OWNED BY AIRPACK AND SHALL NOT BE PRINTED OR COPIED IN ANY OTHER WAY THAN WITH AIRPACKS PERMISSION				
	CLIENT	Bushehr Petrochemical Company (BUPC)		CHECKED BY	KP	PLANT LOCATION		IRAN, ONSHORE	03	05-04-2022	VZ
	CLIENT REF	17811		SCALE	-	DRAWING NO.		17811-38	02	11-02-2022	VZ
	AIRPACK REF	17811-COM		MODIFICATIONS		SHEET		12/12	01	15-11-2021	VZ
									00	07-12-2020	VZ