

OWNER:



شرکت سست و سویی توهمه ایران (سهامی عامه)
SSTI

**BUSHEHR PETROCHEMICAL COMPANY
MEG PLANT**

EPC CONTRACTOR:



Chagalesh-Enerchimi-Steam
Joint Venture
BUPC-MEG PLANT PROJECT

MC :



شرکت سست و سویی توهمه ایران (سهامی عامه)
SSTI

**ARCHITECTURE DIAGRAM FOR
NITROGEN GAS BOOSTER**



Project	Area	Phase	Unit	Dis.	Doc.	Seq.
BU	20	VD	303	IN	DIG	0044

Contract No : 52-98/445

Owner Document Number:
17811-46A

Rev.:

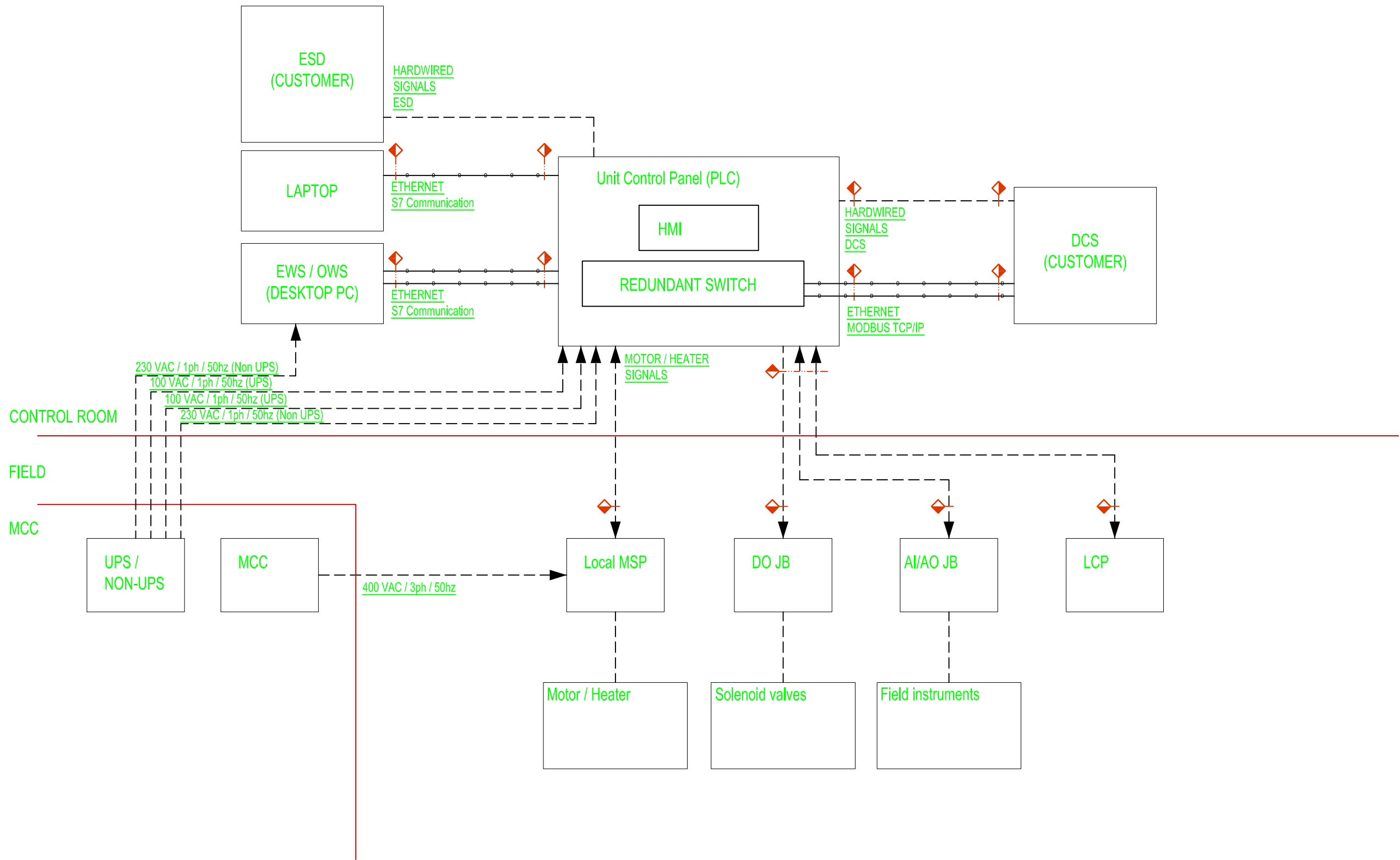
Page

01

1 of 3

**ARCHITECTURE DIAGRAM FOR NITROGEN GAS
BOOSTER**

01	10/05/2022	For Approval	KP	CL	JR	
00	12/03/2021	For Approval	TJ	KP	JR	
Rev.	Date	Purpose of Issue	Prepared	Checked	Approved	AC Code
					Class: 1	Phase: P



NOTES:



SUBJECT	MEG PLANT NITROGEN COMPRESSOR PLC ARCHITECTURE DIAGRAM
CLIENT	BUSHEHER PETROCHEMICAL COMPANY (BUPC)
CLIENT REF	MEG20-PO-BP303-021
AIRPACK REF	17811-COM

DATE	11-03-2021
DRAWN BY	TJ
CHECKED BY	KP
PLANT LOCATION	-
DRAWING NO.	17811-46
SHEETNO.	01 /01

THIS DRAWING IS OWNED BY AIRPACK AND SHALL NOT BE PRINTED OR COPIED IN ANY OTHER WAY THAN WITH AIRPACKS PERMISSION

REV 01	10-05-2022	KP
REV 00	11-03-2021	TJ