



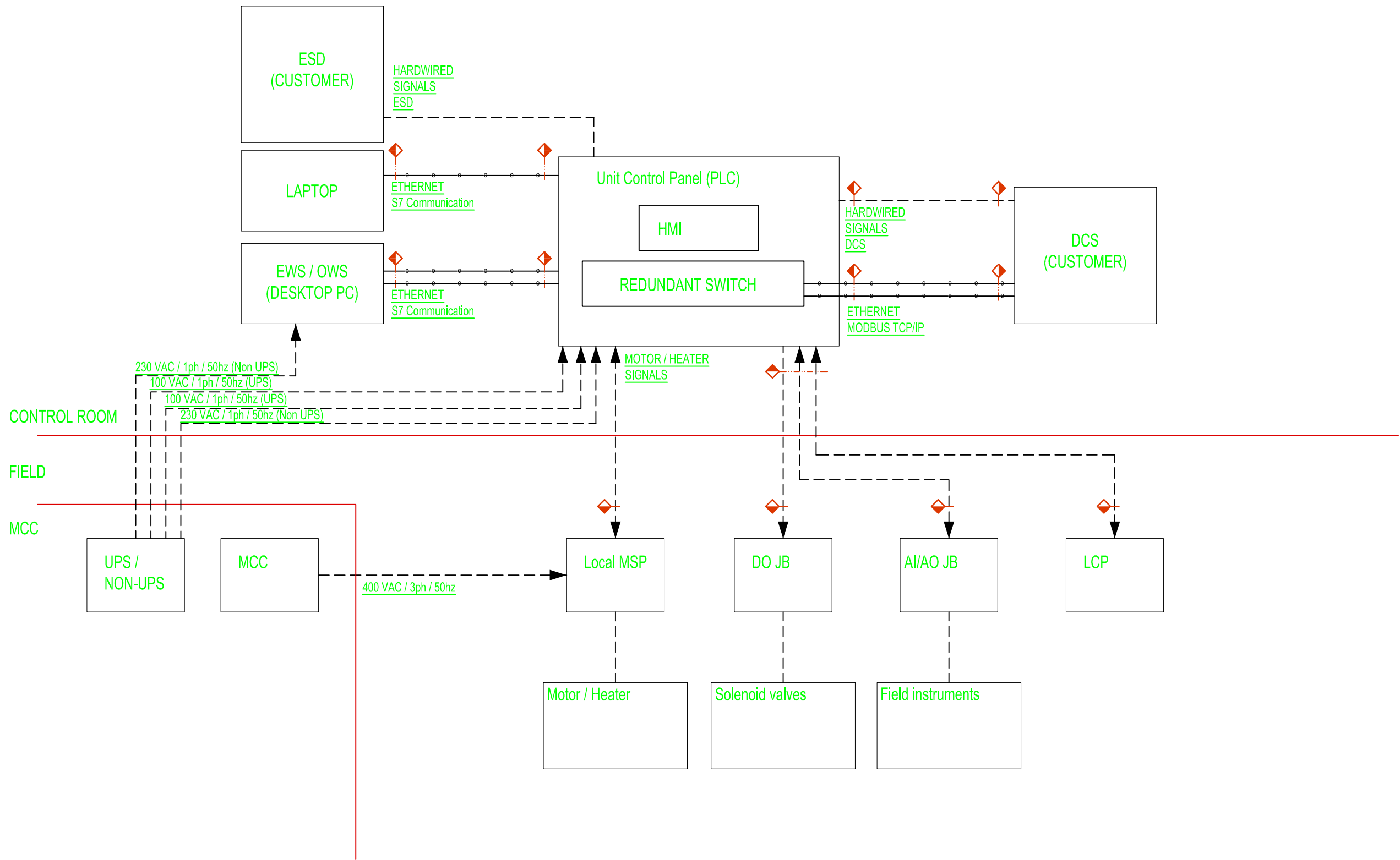


OWNER:  شرکت سست و سویی توهمه ایران (سهامی عامه)	BUSHEHR PETROCHEMICAL COMPANY MEG PLANT						EPC CONTRACTOR:  Chagalesh-Enerchimi-Steam Joint Venture BUPC-MEG PLANT PROJECT		
	ARCHITECTURE DIAGRAM FOR INSTRUMENT AIR COMPRESSOR								
MC :  شرکت سست و سویی توهمه ایران (سهامی عامه)	Project	Area	Phase	Unit	Dis.	Doc.	Seq.	Contract No : 52-98/445	
Owner Document Number: 17811-46B	BU	20	VD	303	IN	DIG	0094	Rev.:	Page
								00	1 of 3

ARCHITECTURE DIAGRAM FOR INSTRUMENT AIR COMPRESSOR

00	10/05/2022	For Approval	KP	CL	JR	
00	12/03/2021	For Approval	TJ	KP	JR	
Rev.	Date	Purpose of Issue	Prepared	Checked	Approved	AC Code
					Class: 1	Phase: P



NOTES:



SUBJECT	MEG PLANT NITROGEN COMPRESSOR PLC ARCHITECTURE DIAGRAM
CLIENT	BUSHEHER PETROCHEMICAL COMPANY (BUPC)
CLIENT REF	MEG20-PO-BP303-021
AIRPACK REF	17811-COM

DATE	11-03-2021
DRAWN BY	TJ
CHECKED BY	KP
PLANT LOCATION	-
DRAWING NO.	17811-46
SHEETNO.	01 / 01

THIS DRAWING IS OWNED BY AIRPACK AND SHALL NOT BE PRINTED OR COPIED IN ANY OTHER WAY THAN WITH AIRPACKS PERMISSION

REV 01	10-05-2022	KP
REV 00	11-03-2021	TJ