





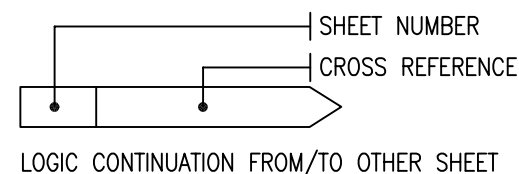
OWNER:  شرکت سست و سویی توپو ایرانیان (سهامی خاص)	BUSHEHR PETROCHEMICAL COMPANY MEG PLANT							EPC CONTRACTOR:  Chagalesh-Enerchimi-Steam Joint Venture BUPC-MEG PLANT PROJECT	
	LOGIC DIAGRAMS-PROGRAM OF UCP - COMPRESSOR SHUTDOWN LOGIC DRAWING FOR NITROGEN GAS BOOSTER							 Netherlands	
MC :  شرکت سست و سویی توپو ایرانیان (سهامی خاص)								Project	Area
Owner Document Number: 17811-32A	BU	20	VD	303	IN	DIG	0035	Rev.:	Page
								04	1 of 16

LOGIC DIAGRAMS-PROGRAM OF UCP - COMPRESSOR SHUTDOWN LOGIC DRAWING FOR NITROGEN GAS BOOSTER

Rev.	Date	Purpose of Issue	Prepared	Checked	Approved	AC Code
04	17/05/2022	Approved for Construction	AZ	KP	JR	
03	18/03/2022	Approved for Construction	AS	KP	JR	
02	06/01/2022	Approved for Construction	WZ	KP	JR	
01	30/11/2021	For approval	WZ	KP	JR	
00	24/11/2020	For approval	TJ	RB	JR	
						Class: 1
						Phase: P

SYMBOL	FUNCTION	DESCRIPTION
	AND	OUTPUT D EXISTS ONLY IF AND WHILE INPUTS A,B AND C EXIST.
	OR	OUTPUT D EXISTS ONLY IF AND WHILE ONE OR MORE OF INPUTS A,B OR C EXIST.
	XOR	OUTPUT D EXISTS ONLY IF AND WHILE ONE OF INPUTS A,B OR C EXIST.
	NOT	OUTPUT B EXISTS ONLY IF AND WHILE INPUT A DOES NOT EXIST.
	TIMER (DELAY INITIATION)	THE CONTINUOUS EXISTENCE OF INPUT A FOR TIME T CAUSES OUTPUT B TO EXIST WHEN THE TIME T EXPIRES. B TERMINATES IMMEDIATELY WHEN A TERMINATES.
	TIMER (DELAY TERMINATION)	THE EXISTENCE OF INPUT A CAUSES OUTPUT B TO EXIST IMMEDIATELY. B TERMINATES WHEN A HAS TERMINATED AND HAS NOT AGAIN EXISTED FOR TIME T.
	PULSE OUTPUT	THE EXISTENCE OF INPUT A CAUSES OUTPUT B TO EXIST IMMEDIATELY. B EXISTS FOR TIME T, REGARDLESS OF THE STATE OF A.
	FLIP-FLOP MEMORY (SET PRIORITY)	OUTPUT C EXISTS AS SOON AS A EXISTS. C CONTINUES TO EXIST, REGARDLESS OF THE SUBSEQUENT STATE OF A, UNTIL THE MEMORY IS RESET (I.E; TERMINATED BY B EXISTING) C REMAINS TERMINATED, REGARDLESS OF THE SUBSEQUENT STATE OF B, UNTIL A CAUSES THE MEMORY TO BE SET. IF A AND B EXIST SIMULTANEOUSLY, A OVERRIDES B.
	FLIP-FLOP MEMORY (RESET PRIORITY)	OUTPUT C EXISTS AS SOON AS A EXISTS. C CONTINUES TO EXIST, REGARDLESS OF THE SUBSEQUENT STATE OF A, UNTIL THE MEMORY IS RESET (I.E; TERMINATED BY B EXISTING) C REMAINS TERMINATED, REGARDLESS OF THE SUBSEQUENT STATE OF B, UNTIL A CAUSES THE MEMORY TO BE SET. IF A AND B EXIST SIMULTANEOUSLY, B OVERRIDES A.
		LOGIC CONNECTION
		NO CONNECTION
		SERIAL LINK / FOUNDATION FIELDBUS PROTOCOL

SYMBOL	DESCRIPTION
	EMERGENCY PUSHBUTTON, RED HEAD, STAY PUT.
	TOGGLE SWITCH
	PUSHBUTTON MOMENTARILY MAKE
	PUSHBUTTON MOMENTARILY BREAK
	CONTACT NORMALLY OPEN
	CONTACT NORMALLY CLOSED
	HARDWIRED INPUT/OUTPUT
	SOLENOID VALVE, 3-WAY
	DISTRIBUTED CONTROL SYSTEM
	PLC CONTROL SYSTEM
	DCS AUXILIARY CONSOLE
	LAMP
	HMI
	AUDIBLE ALARM
	RELAY COIL



ABBREVIATIONS

DCS : DISTRIBUTED CONTROL SYSTEM
UCP : UNIT CONTROL PANEL
LCP : LOCAL CONTROL PANEL
PLC : PROGRAMMABLE LOGIC CONTROLLER
I/P : INPUT
O/P : OUTPUT
ESD : EMERGENCY SHUTDOWN
MCC : MOTOR CONTROL CENTRE

GENERAL NOTES

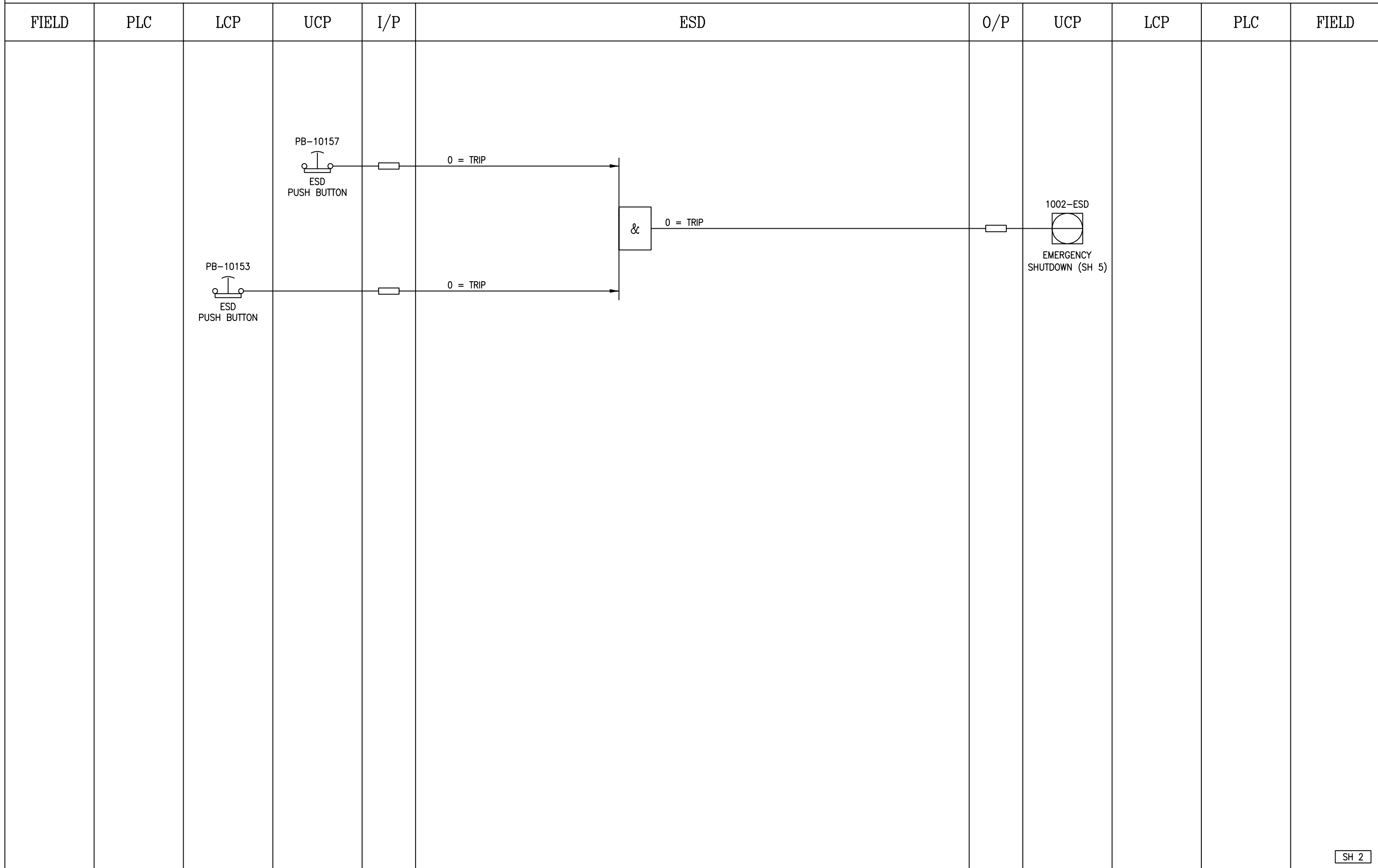
- SHUTDOWN CONDITION ;
0 = SHUTDOWN 1 = OPERATING
- ALARM/TRIP CONDITION ;
0 = ALARM 1=NORMAL
0 = TRIP 1=NORMAL
- REMOTE/LOCAL CONDITION ;
0 = LOCAL 1=REMOTE

SH 1



SUBJECT	BUSHEHR PETROCHEMICAL COMPANY MEG PLANT NITROGEN COMPRESSOR	DATE	20-11-2020	THIS DRAWING IS OWNED BY AIRPACK AND SHALL NOT BE PRINTED OR COPIED IN ANY OTHER WAY THAN WITH AIRPACKS PERMISSION			
DRAWN BY	TJ	CHECKED BY	KP		REV 04	16-05-2022	WZ
CLIENT	BUSHEHR PETROCHEMICAL COMPANY (BUPC)	PLANT LOCATION	IRAN	REV 03	18-03-2022	AS	
CLIENT REF	20-C-1002	DRAWING NO.	17811-32A	REV 02	03-01-2022	AS	
AIRPACK REF	17811	SHEETNO.	01 /14	REV 01	29-11-2021	WZ	
				REV 00	20-11-2020	TJ	

LOGIC DIAGRAM



SH 2

NOTES:

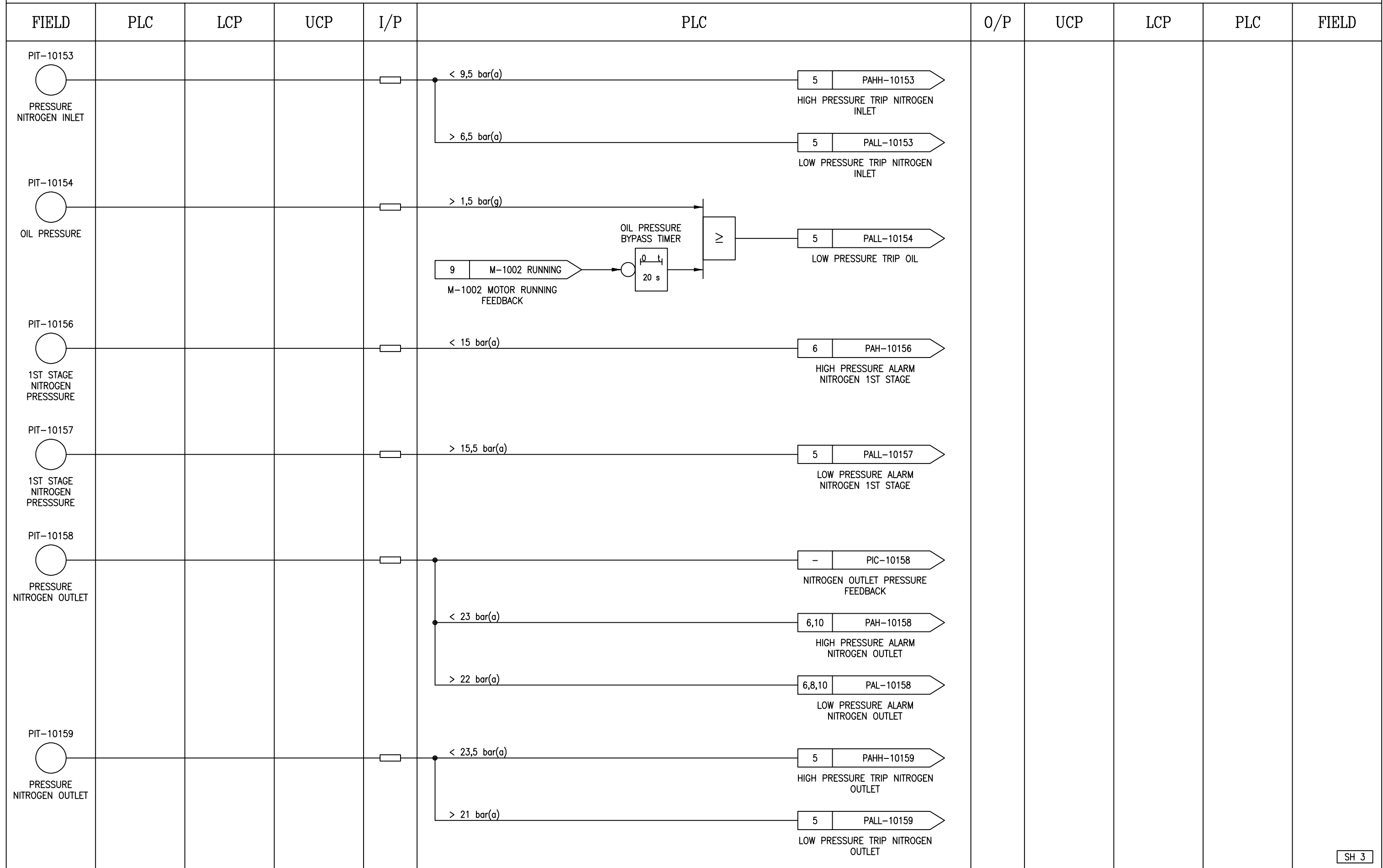


SUBJECT		BUSHEHR PETROCHEMICAL COMPANY MEG PLANT NITROGEN COMPRESSOR	
CLIENT	BUSHEHR PETROCHEMICAL COMPANY (BUPC)	PLANT LOCATION	IRAN
CLIENT REF	20-C-1002	DRAWING NO.	17811-32A
AIRPACK REF	17811	SHEETNO.	02 / 14

DATE	20-11-2020
DRAWN BY	TJ
CHECKED BY	KP

THIS DRAWING IS OWNED BY AIRPACK AND SHALL NOT BE PRINTED OR COPIED IN ANY OTHER WAY THAN WITH AIRPACKS PERMISSION		
REV 04	16-05-2022	WZ
REV 03	18-03-2022	AS
REV 02	03-01-2022	AS
REV 01	29-11-2021	WZ
REV 00	20-11-2020	TJ

LOGIC DIAGRAM



SH 3

NOTES:



SUBJECT BUSHEHR PETROCHEMICAL COMPANY MEG PLANT NITROGEN COMPRESSOR		DATE	20-11-2020	THIS DRAWING IS OWNED BY AIRPACK AND SHALL NOT BE PRINTED OR COPIED IN ANY OTHER WAY THAN WITH AIRPACKS PERMISSION			
CLIENT BUSHEHR PETROCHEMICAL COMPANY (BUPC)		DRAWN BY	TJ		REV 04	16-05-2022	WZ
CLIENT REF 20-C-1002		CHECKED BY	KP	REV 03	18-03-2022	AS	
AIRPACK REF 17811		PLANT LOCATION	IRAN	REV 02	03-01-2022	AS	
		DRAWING NO.	17811-32A	REV 01	29-11-2021	WZ	
		SHEETNO.	03 /14	REV 00	20-11-2020	TJ	

LOGIC DIAGRAM

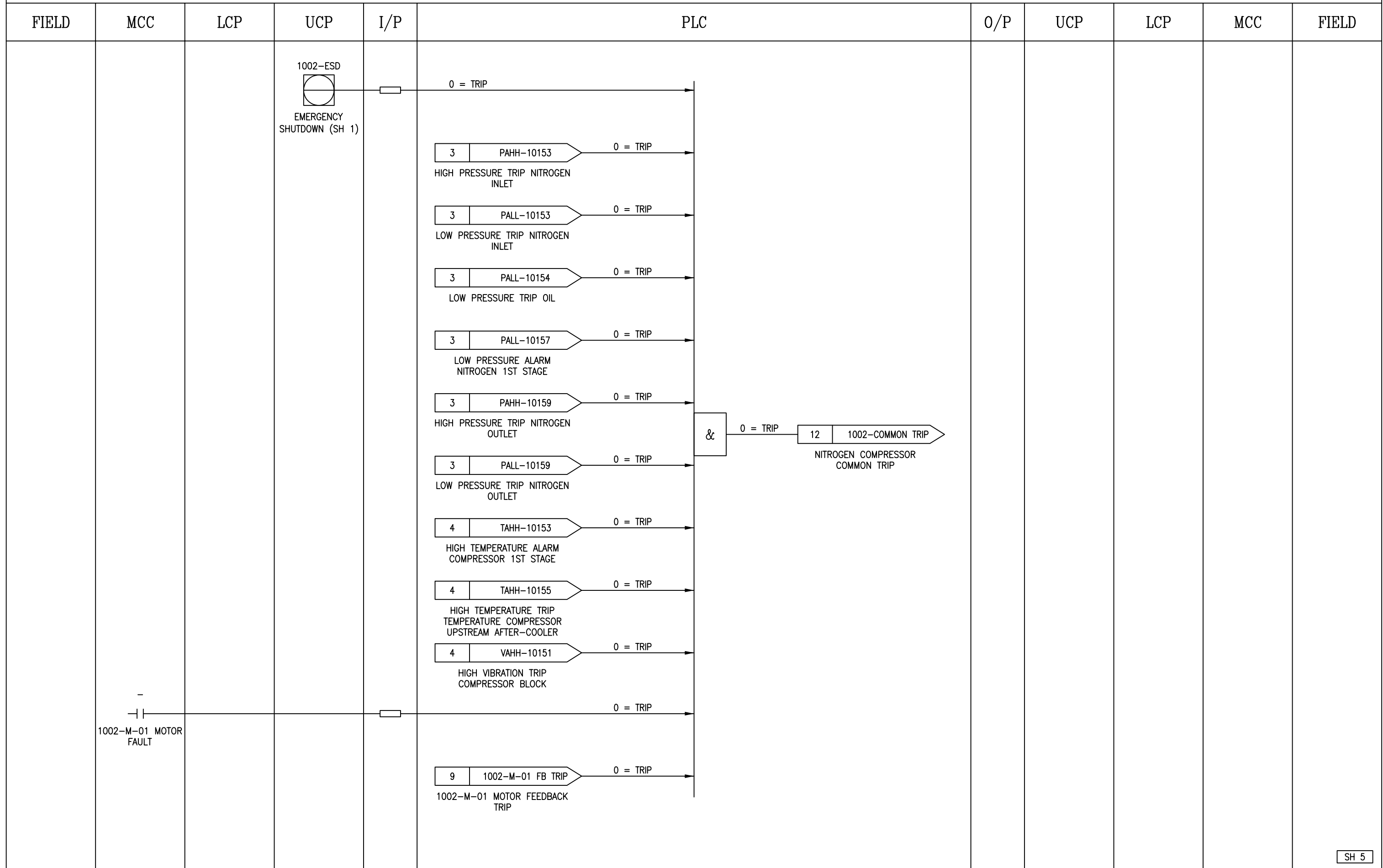


SH 4

NOTES:


	SUBJECT BUSHEHR PETROCHEMICAL COMPANY MEG PLANT NITROGEN COMPRESSOR		DATE 20-11-2020	THIS DRAWING IS OWNED BY AIRPACK AND SHALL NOT BE PRINTED OR COPIED IN ANY OTHER WAY THAN WITH AIRPACKS PERMISSION
	CLIENT BUSHEHR PETROCHEMICAL COMPANY (BUPC)	PLANT LOCATION IRAN	DRAWN BY TJ	
CLIENT REF 20-C-1002	DRAWING NO. 17811-32A	CHECKED BY KP	REV 04 16-05-2022 WZ	
AIRPACK REF 17811	SHEETNO. 04 /14		REV 03 18-03-2022 AS	
			REV 02 03-01-2022 AS	
			REV 01 29-11-2021 WZ	
			REV 00 20-11-2020 TJ	

LOGIC DIAGRAM

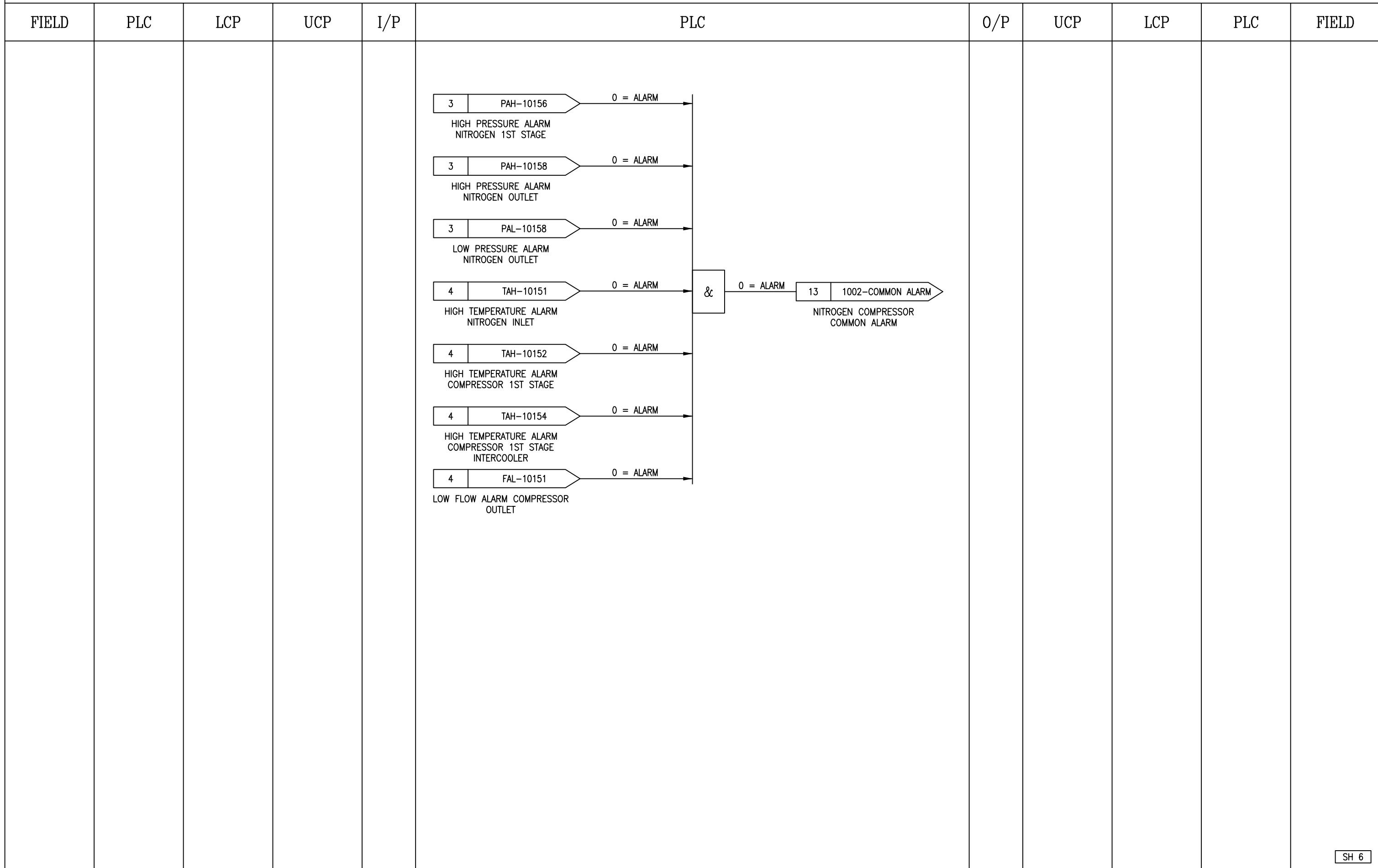


SH 5

NOTES:

	SUBJECT BUSHEHR PETROCHEMICAL COMPANY MEG PLANT NITROGEN COMPRESSOR		DATE 20-11-2020	THIS DRAWING IS OWNED BY AIRPACK AND SHALL NOT BE PRINTED OR COPIED IN ANY OTHER WAY THAN WITH AIRPACKS PERMISSION
	CLIENT BUSHEHR PETROCHEMICAL COMPANY (BUPC)	PLANT LOCATION IRAN	DRAWN BY TJ	
CLIENT REF 20-C-1002	DRAWING NO. 17811-32A	CHECKED BY KP	REV 04 16-05-2022 WZ	
AIRPACK REF 17811	SHEETNO. 05 /14		REV 03 18-03-2022 AS	
			REV 02 03-01-2022 AS	
			REV 01 29-11-2021 WZ	
			REV 00 20-11-2020 TJ	

LOGIC DIAGRAM

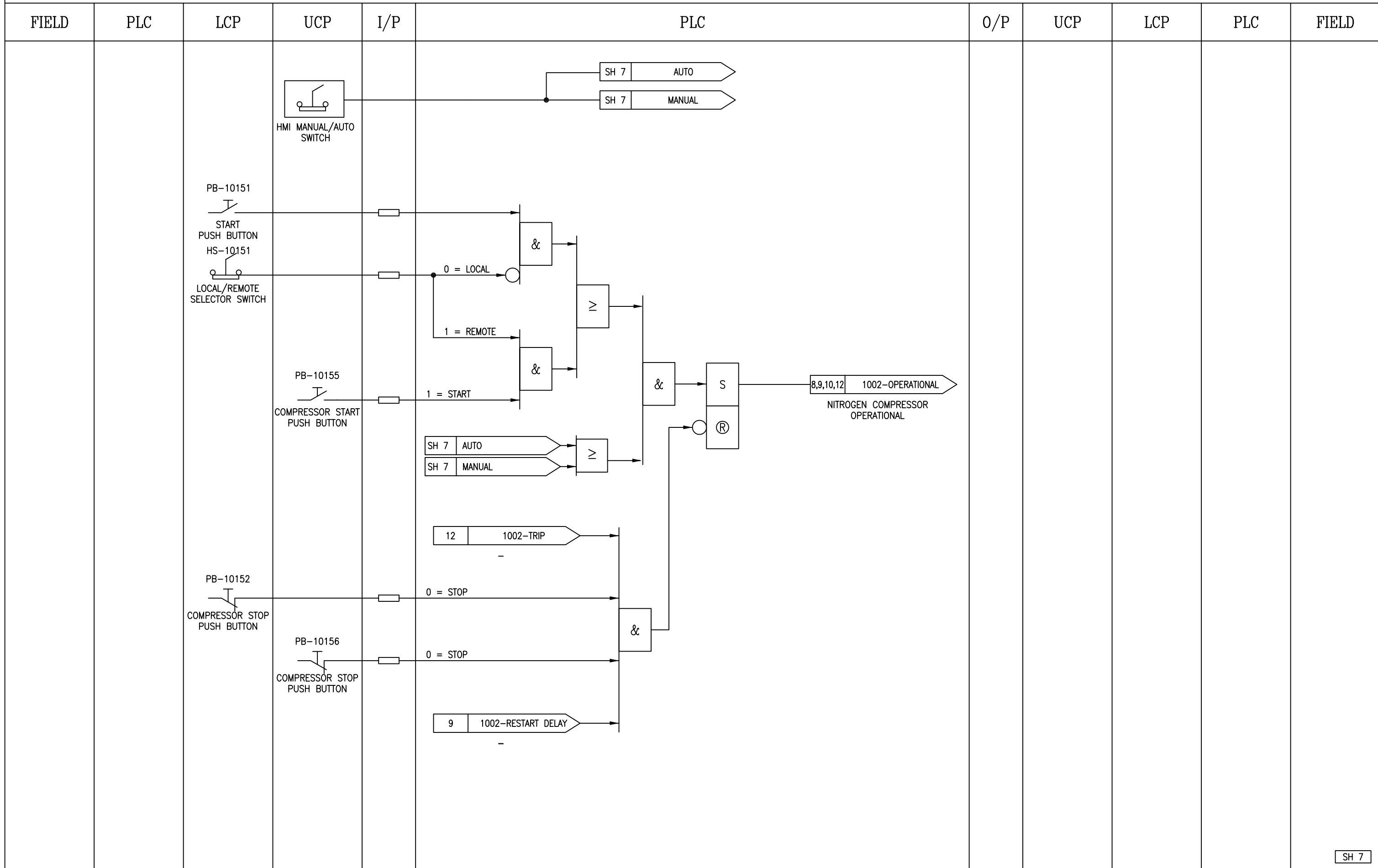


SH 6

NOTES:

	SUBJECT BUSHEHR PETROCHEMICAL COMPANY MEG PLANT NITROGEN COMPRESSOR		DATE 20-11-2020	THIS DRAWING IS OWNED BY AIRPACK AND SHALL NOT BE PRINTED OR COPIED IN ANY OTHER WAY THAN WITH AIRPACKS PERMISSION
			DRAWN BY TJ	
	CLIENT BUSHEHR PETROCHEMICAL COMPANY (BUPC)	PLANT LOCATION IRAN	CHECKED BY KP	REV 04 16-05-2022 WZ
	CLIENT REF 20-C-1002	DRAWING NO. 17811-32A		REV 03 18-03-2022 AS
	AIRPACK REF 17811	SHEETNO. 06 /14		REV 02 03-01-2022 AS
				REV 01 29-11-2021 WZ
				REV 00 20-11-2020 TJ

LOGIC DIAGRAM

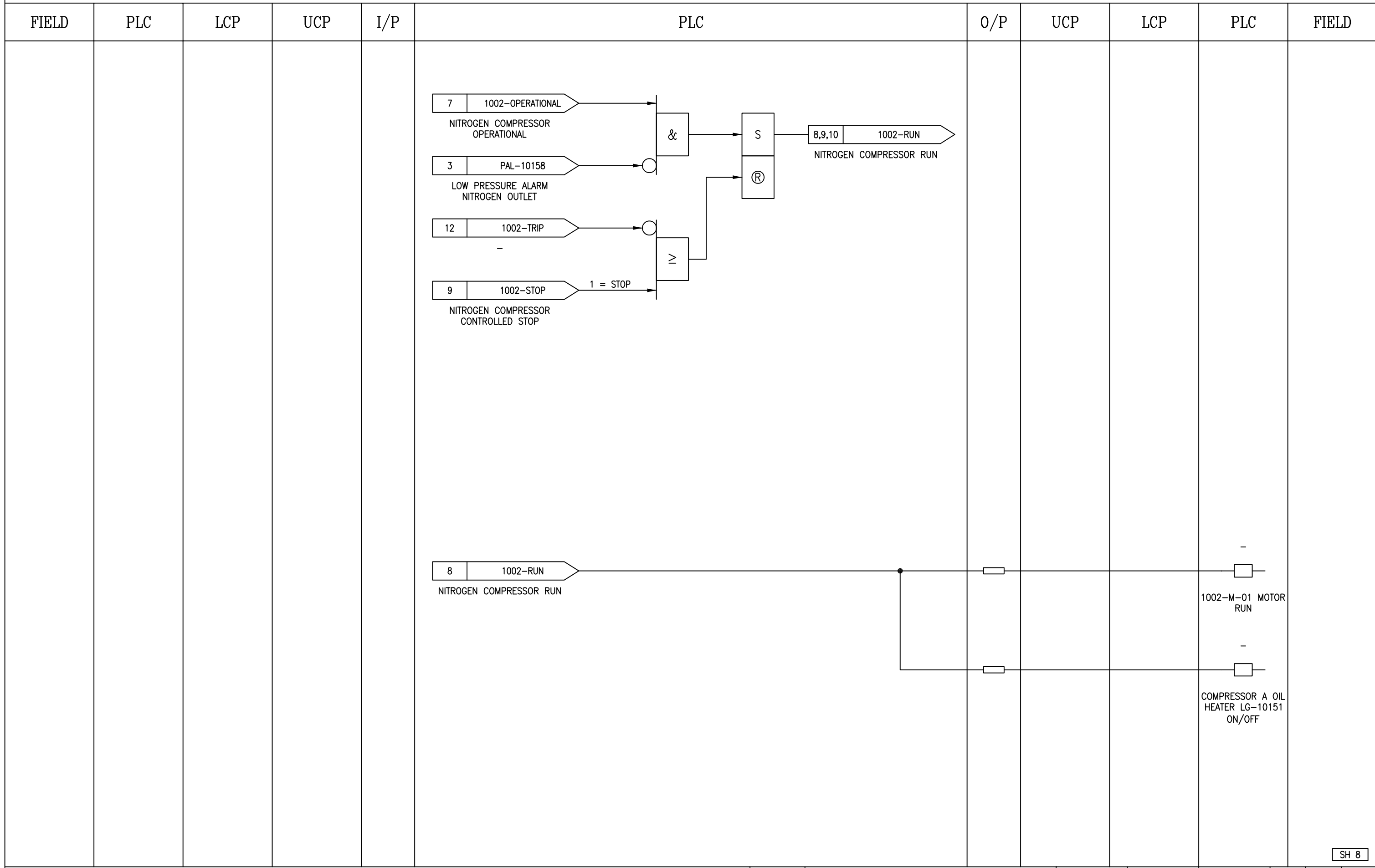


SH 7

NOTES:

	SUBJECT BUSHEHR PETROCHEMICAL COMPANY MEG PLANT NITROGEN COMPRESSOR		DATE 20-11-2020	THIS DRAWING IS OWNED BY AIRPACK AND SHALL NOT BE PRINTED OR COPIED IN ANY OTHER WAY THAN WITH AIRPACKS PERMISSION
	CLIENT BUSHEHR PETROCHEMICAL COMPANY (BUPC)	CLIENT REF 20-C-1002	DRAWN BY TJ	
	AIRPACK REF 17811	PLANT LOCATION IRAN	CHECKED BY KP	REV 04 16-05-2022 WZ
		DRAWING NO. 17811-32A	SHEETNO. 07 /14	REV 03 18-03-2022 AS
				REV 02 03-01-2022 AS
				REV 01 29-11-2021 WZ
				REV 00 20-11-2020 TJ

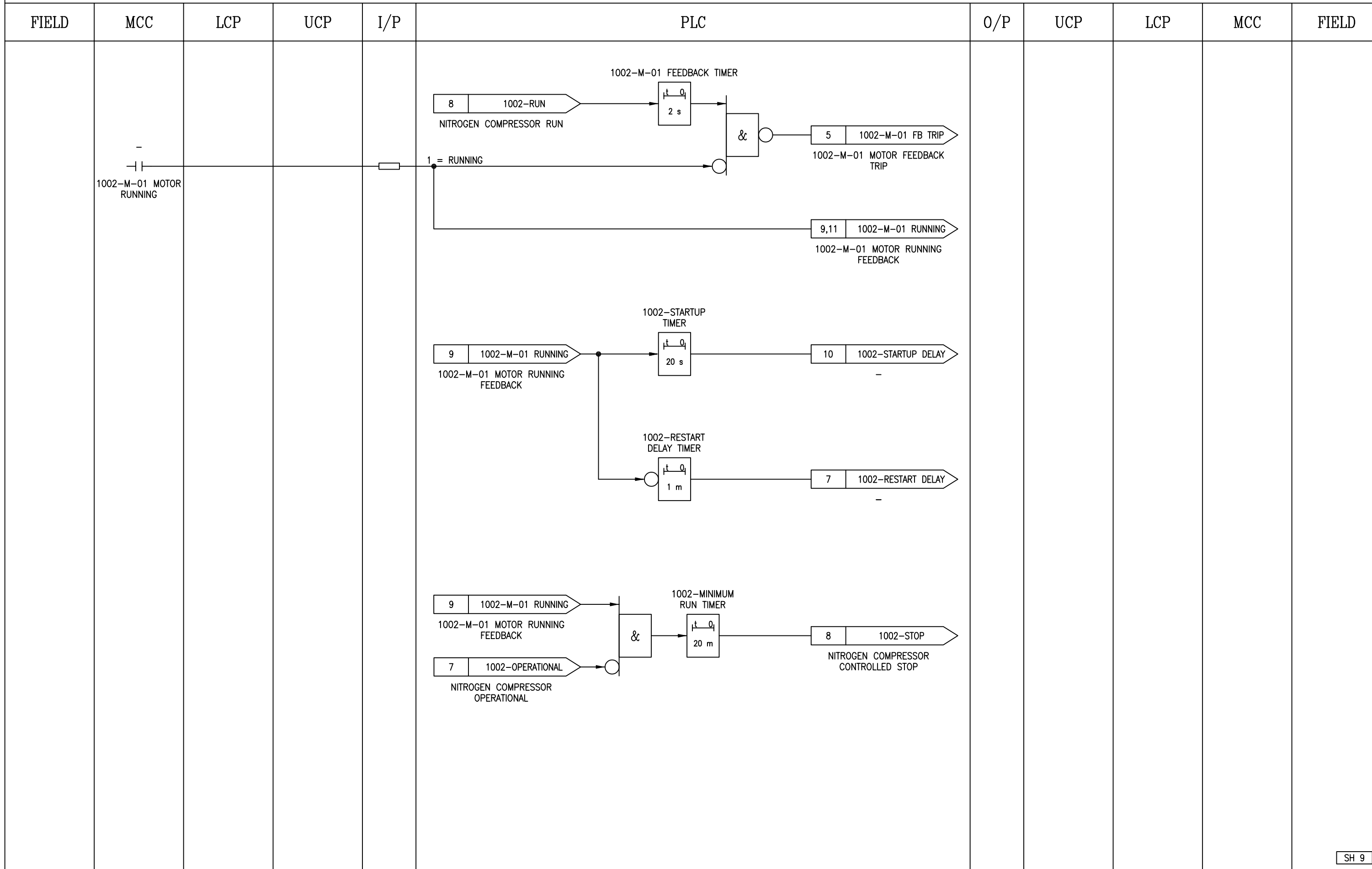
LOGIC DIAGRAM



NOTES:

	SUBJECT BUSHEHR PETROCHEMICAL COMPANY MEG PLANT NITROGEN COMPRESSOR		DATE 20-11-2020	THIS DRAWING IS OWNED BY AIRPACK AND SHALL NOT BE PRINTED OR COPIED IN ANY OTHER WAY THAN WITH AIRPACKS PERMISSION															
	CLIENT BUSHEHR PETROCHEMICAL COMPANY (BUPC)	PLANT LOCATION IRAN	DRAWN BY TJ																
	CLIENT REF 20-C-1002	DRAWING NO. 17811-32A	CHECKED BY KP																
	AIRPACK REF 17811	SHEETNO. 08 /14																	
				<table border="1" style="width:100%; border-collapse: collapse; font-size: 8px;"> <tr> <td>REV 04</td> <td>16-05-2022</td> <td>WZ</td> </tr> <tr> <td>REV 03</td> <td>18-03-2022</td> <td>AS</td> </tr> <tr> <td>REV 02</td> <td>03-01-2022</td> <td>AS</td> </tr> <tr> <td>REV 01</td> <td>29-11-2021</td> <td>WZ</td> </tr> <tr> <td>REV 00</td> <td>20-11-2020</td> <td>TJ</td> </tr> </table>	REV 04	16-05-2022	WZ	REV 03	18-03-2022	AS	REV 02	03-01-2022	AS	REV 01	29-11-2021	WZ	REV 00	20-11-2020	TJ
REV 04	16-05-2022	WZ																	
REV 03	18-03-2022	AS																	
REV 02	03-01-2022	AS																	
REV 01	29-11-2021	WZ																	
REV 00	20-11-2020	TJ																	

LOGIC DIAGRAM



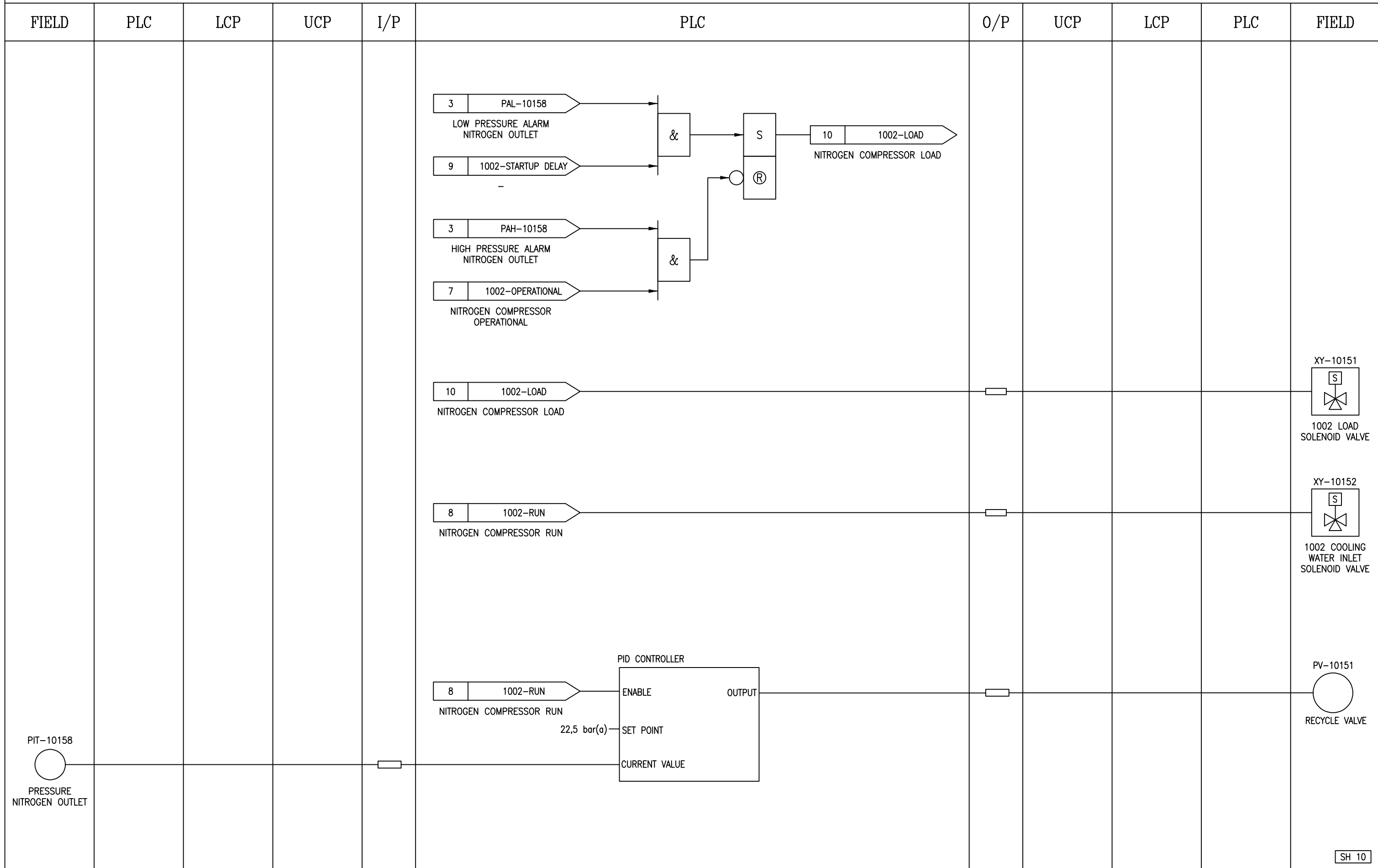
SH 9

NOTES:

	SUBJECT BUSHEHR PETROCHEMICAL COMPANY MEG PLANT NITROGEN COMPRESSOR		DATE 20-11-2020	THIS DRAWING IS OWNED BY AIRPACK AND SHALL NOT BE PRINTED OR COPIED IN ANY OTHER WAY THAN WITH AIRPACKS PERMISSION
	CLIENT BUSHEHR PETROCHEMICAL COMPANY (BUPC)	PLANT LOCATION IRAN	DRAWN BY TJ	
CLIENT REF 20-C-1002	DRAWING NO. 17811-32A	CHECKED BY KP		
AIRPACK REF 17811	SHEETNO. 09 /14			

REV 04	16-05-2022	WZ
REV 03	18-03-2022	AS
REV 02	03-01-2022	AS
REV 01	29-11-2021	WZ
REV 00	20-11-2020	TJ

LOGIC DIAGRAM



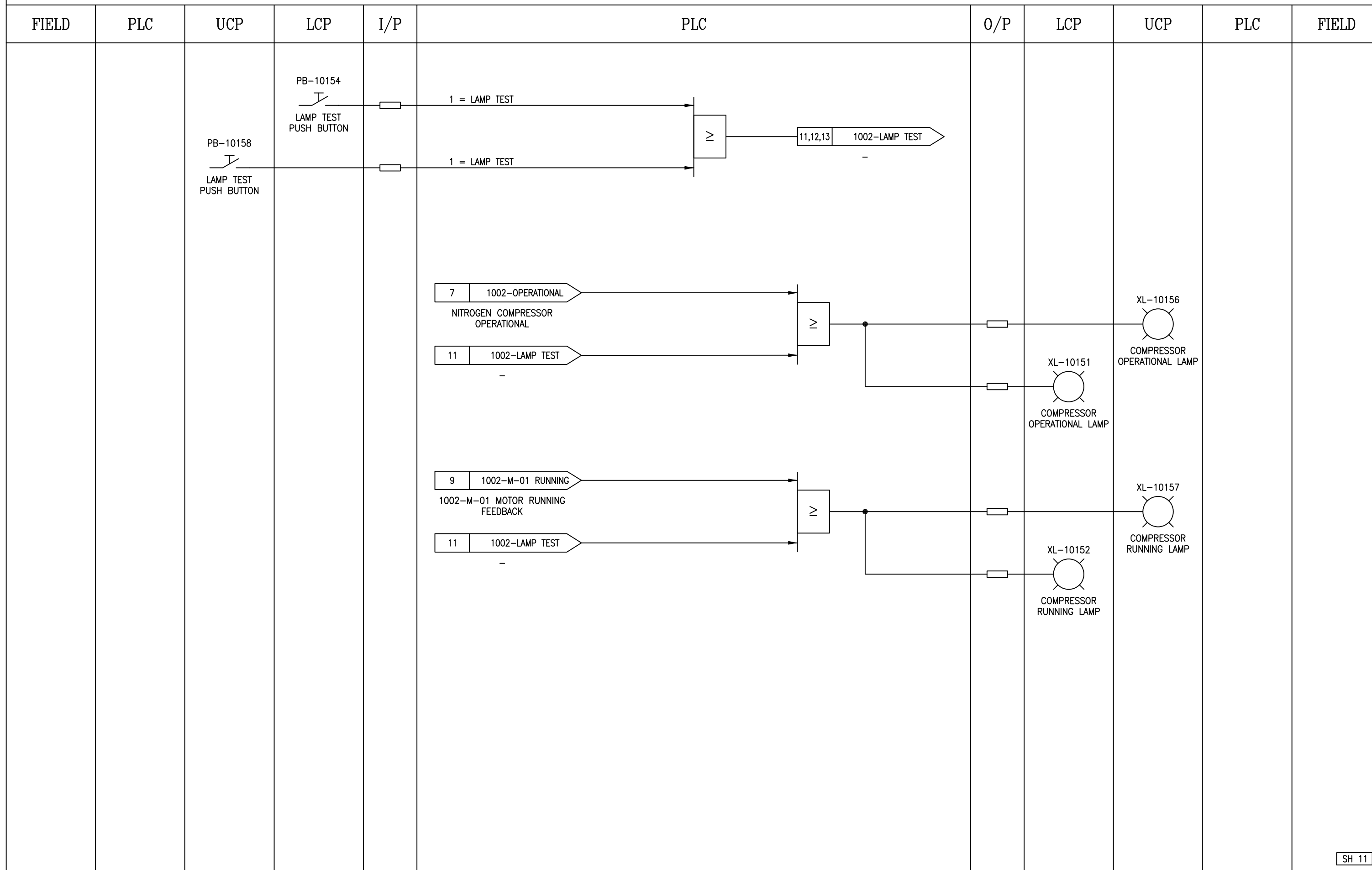
SH 10

NOTES:




SUBJECT BUSHEHR PETROCHEMICAL COMPANY MEG PLANT NITROGEN COMPRESSOR		DATE 20-11-2020	THIS DRAWING IS OWNED BY AIRPACK AND SHALL NOT BE PRINTED OR COPIED IN ANY OTHER WAY THAN WITH AIRPACKS PERMISSION
CLIENT BUSHEHR PETROCHEMICAL COMPANY (BUPC)	DRAWN BY TJ	REV 04 16-05-2022 WZ	
CLIENT REF 20-C-1002	CHECKED BY KP	REV 03 18-03-2022 AS	
AIRPACK REF 17811	PLANT LOCATION IRAN	REV 02 03-01-2022 AS	
	DRAWING NO. 17811-32A	REV 01 29-11-2021 WZ	
	SHEETNO. 10 /14	REV 00 20-11-2020 TJ	

LOGIC DIAGRAM

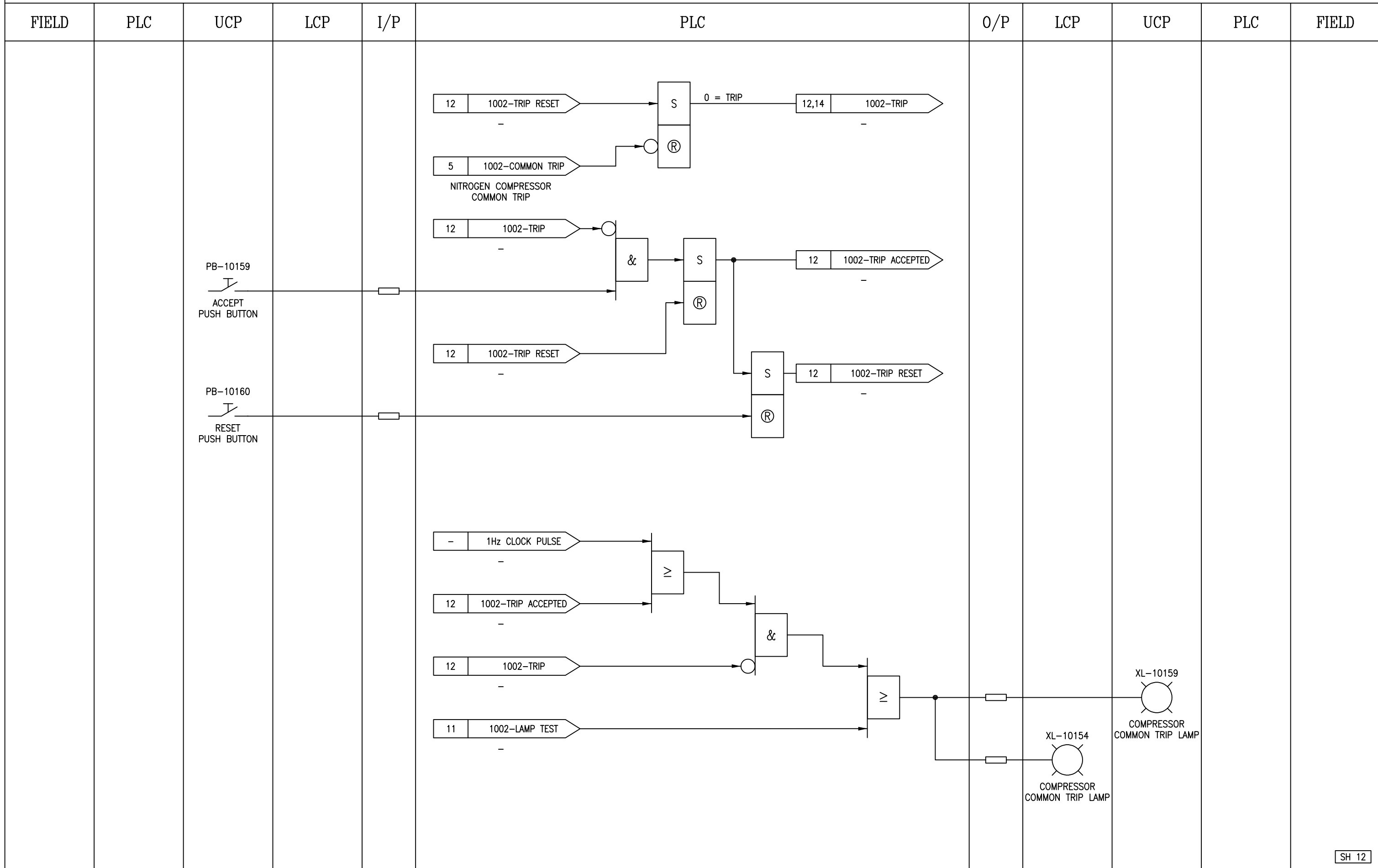


SH 11

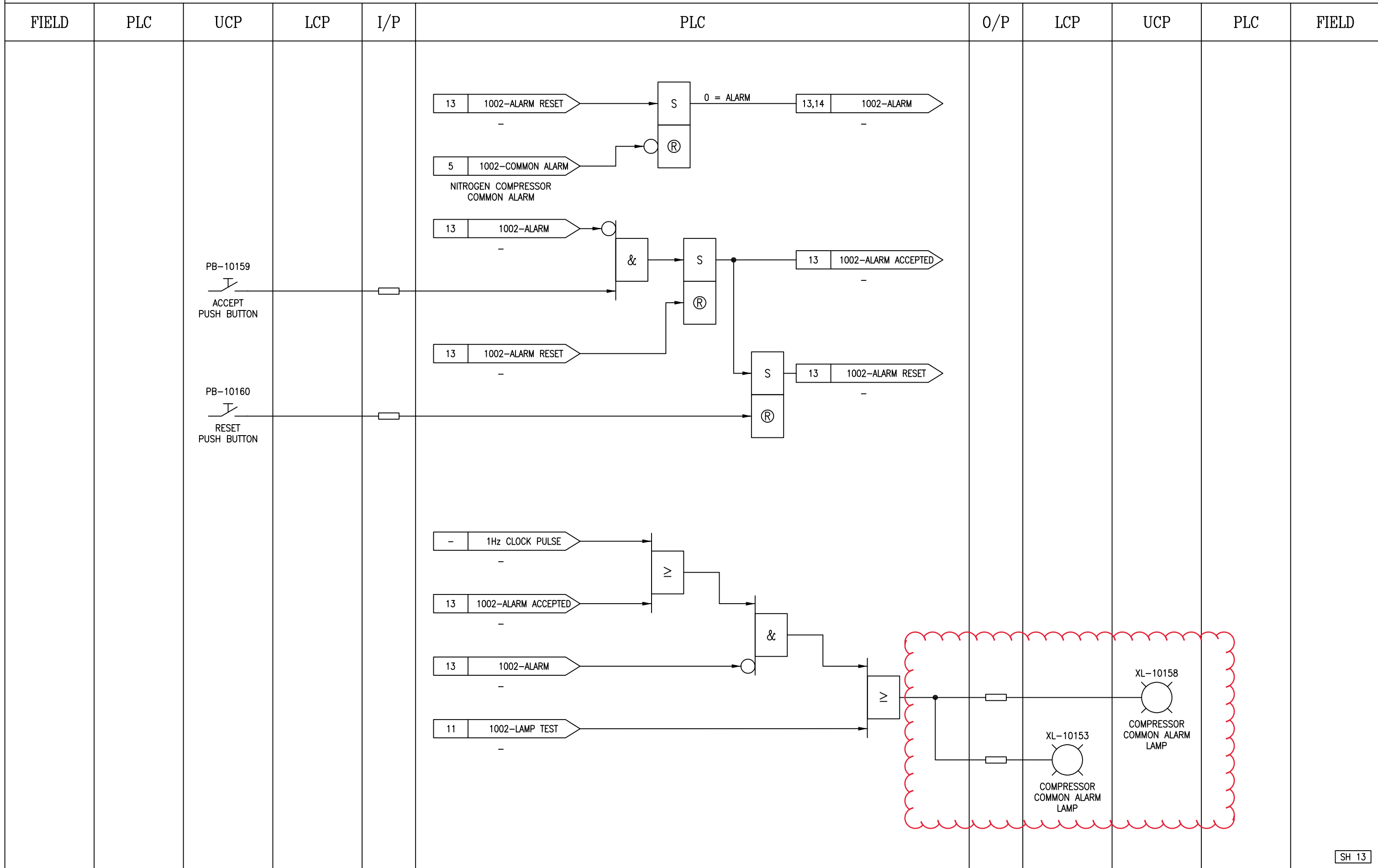
NOTES:

	SUBJECT	DATE	THIS DRAWING IS OWNED BY AIRPACK AND SHALL NOT BE PRINTED OR COPIED IN ANY OTHER WAY THAN WITH AIRPACKS PERMISSION
	BUSHEHR PETROCHEMICAL COMPANY MEG PLANT NITROGEN COMPRESSOR	20-11-2020	
CLIENT	CLIENT REF	DRAWN BY	REV 04
BUSHEHR PETROCHEMICAL COMPANY (BUPC)	20-C-1002	TJ	16-05-2022
AIRPACK REF	PLANT LOCATION	CHECKED BY	REV 03
17811	IRAN	KP	18-03-2022
	DRAWING NO.		REV 02
	17811-32A		03-01-2022
	SHEETNO.		REV 01
	11 /14		29-11-2021
			REV 00
			20-11-2020
			TJ

LOGIC DIAGRAM



LOGIC DIAGRAM

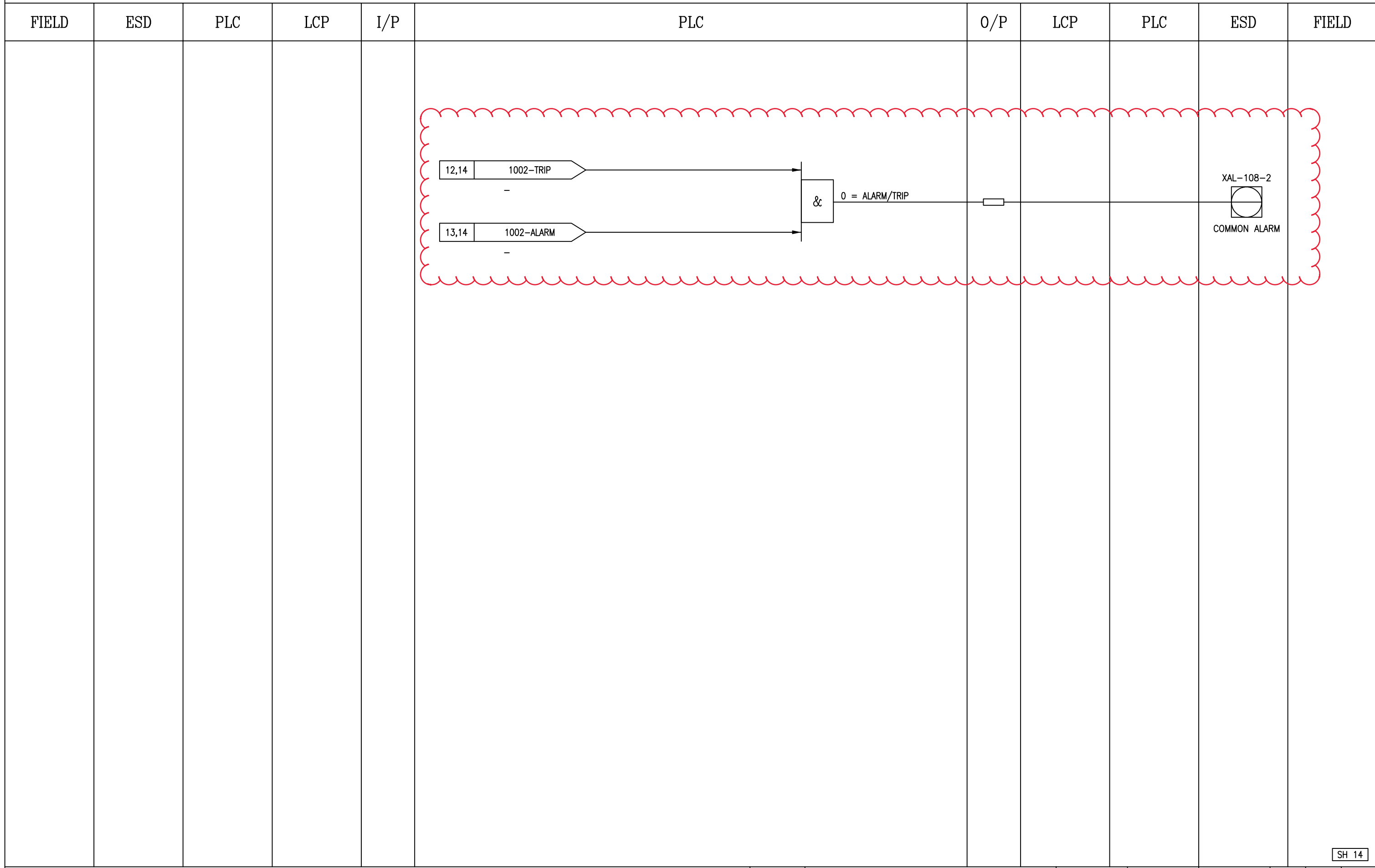


SH 13

NOTES:

	SUBJECT	DATE	THIS DRAWING IS OWNED BY AIRPACK AND SHALL NOT BE PRINTED OR COPIED IN ANY OTHER WAY THAN WITH AIRPACKS PERMISSION
	BUSHEHR PETROCHEMICAL COMPANY MEG PLANT NITROGEN COMPRESSOR	20-11-2020	REV 04 16-05-2022 WZ
CLIENT	CLIENT REF	DRAWN BY	REV 03 18-03-2022 AS
BUSHEHR PETROCHEMICAL COMPANY (BUPC)	20-C-1002	TJ	REV 02 03-01-2022 AS
AIRPACK REF	PLANT LOCATION	CHECKED BY	REV 01 29-11-2021 WZ
17811	IRAN	KP	REV 00 20-11-2020 TJ
	DRAWING NO.	SHEETNO.	
	17811-32A	13 /14	

LOGIC DIAGRAM



SH 14

NOTES:



SUBJECT		BUSHEHR PETROCHEMICAL COMPANY MEG PLANT NITROGEN COMPRESSOR	
CLIENT	BUSHEHR PETROCHEMICAL COMPANY (BUPC)	PLANT LOCATION	IRAN
CLIENT REF	20-C-1002	DRAWING NO.	17811-32A
AIRPACK REF	17811	SHEETNO.	14 /14

DATE	20-11-2020
DRAWN BY	TJ
CHECKED BY	KP

THIS DRAWING IS OWNED BY AIRPACK AND SHALL NOT BE PRINTED OR COPIED IN ANY OTHER WAY THAN WITH AIRPACKS PERMISSION

REV 04	16-05-2022	WZ
REV 03	18-03-2022	AS
REV 02	03-01-2022	AS
REV 01	29-11-2021	WZ
REV 00	20-11-2020	TJ