





OWNER:  شرکت مست و سوبی توکند ایرانیاان (سهایی نیاان)	BUSHEHR PETROCHEMICAL COMPANY MEG PLANT						EPC CONTRACTOR:  Chagalesh-Enerchimi-Steam Joint Venture BUPC-MEG PLANT PROJECT		
	LOGIC DIAGRAMS-PROGRAM OF UCP - COMPRESSOR SHUTDOWN LOGIC DRAWING FOR EMERGENCY INSTRUMENT AIR COMPRESSOR								
MC :  شرکت مست و سوبی توکند ایرانیاان (سهایی نیاان)							Project	Area	Phase
Owner Document Number: 17811-32B	BU	20	VD	303	IN	DIG	0085	Rev.:	Page
								03	1 of 16

LOGIC DIAGRAMS-PROGRAM OF UCP - COMPRESSOR SHUTDOWN LOGIC DRAWING FOR EMERGENCY INSTRUMENT AIR COMPRESSOR

03	17/05/2022	Approved for Construction	AZ	KP	JR	
03	16/03/2022	Approved for Construction	AS	KP	JR	
02	06/01/2022	Approved for Construction	AS	KP	JR	
01	30/11/2021	For approval	WZ	KP	JR	
00	24/11/2020	For approval	TJ	RB	JR	
Rev.	Date	Purpose of Issue	Prepared	Checked	Approved	AC Code
					Class: 1	Phase: P

SYMBOL	FUNCTION	DESCRIPTION
	AND	OUTPUT D EXISTS ONLY IF AND WHILE INPUTS A,B AND C EXIST.
	OR	OUTPUT D EXISTS ONLY IF AND WHILE ONE OR MORE OF INPUTS A,B OR C EXIST.
	XOR	OUTPUT D EXISTS ONLY IF AND WHILE ONE OF INPUTS A,B OR C EXIST.
	NOT	OUTPUT B EXISTS ONLY IF AND WHILE INPUT A DOES NOT EXIST.
	TIMER (DELAY INITIATION)	THE CONTINUOUS EXISTENCE OF INPUT A FOR TIME T CAUSES OUTPUT B TO EXIST WHEN THE TIME T EXPIRES. B TERMINATES IMMEDIATELY WHEN A TERMINATES.
	TIMER (DELAY TERMINATION)	THE EXISTENCE OF INPUT A CAUSES OUTPUT B TO EXIST IMMEDIATELY. B TERMINATES WHEN A HAS TERMINATED AND HAS NOT AGAIN EXISTED FOR TIME T.
	PULSE OUTPUT	THE EXISTENCE OF INPUT A CAUSES OUTPUT B TO EXIST IMMEDIATELY. B EXISTS FOR TIME T, REGARDLESS OF THE STATE OF A.
	FLIP-FLOP MEMORY (SET PRIORITY)	OUTPUT C EXISTS AS SOON AS A EXISTS. C CONTINUES TO EXIST, REGARDLESS OF THE SUBSEQUENT STATE OF A, UNTIL THE MEMORY IS RESET (I.E; TERMINATED BY B EXISTING) C REMAINS TERMINATED, REGARDLESS OF THE SUBSEQUENT STATE OF B, UNTIL A CAUSES THE MEMORY TO BE SET. IF A AND B EXIST SIMULTANEOUSLY, A OVERRIDES B.
	FLIP-FLOP MEMORY (RESET PRIORITY)	OUTPUT C EXISTS AS SOON AS A EXISTS. C CONTINUES TO EXIST, REGARDLESS OF THE SUBSEQUENT STATE OF A, UNTIL THE MEMORY IS RESET (I.E; TERMINATED BY B EXISTING) C REMAINS TERMINATED, REGARDLESS OF THE SUBSEQUENT STATE OF B, UNTIL A CAUSES THE MEMORY TO BE SET. IF A AND B EXIST SIMULTANEOUSLY, B OVERRIDES A.
		LOGIC CONNECTION
		NO CONNECTION
		SERIAL LINK / FOUNDATION FIELDBUS PROTOCOL

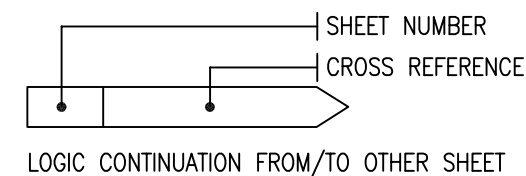
SYMBOL	DESCRIPTION
	EMERGENCY PUSHBUTTON, RED HEAD, STAY PUT.
	TOGGLE SWITCH
	PUSHBUTTON MOMENTARILY MAKE
	PUSHBUTTON MOMENTARILY BREAK
	CONTACT NORMALLY OPEN
	CONTACT NORMALLY CLOSED
	HARDWIRED INPUT/OUTPUT
	SOLENOID VALVE, 3-WAY
	DISTRIBUTED CONTROL SYSTEM
	PLC CONTROL SYSTEM
	DCS AUXILIARY CONSOLE
	LAMP
	HMI
	AUDIBLE ALARM
	RELAY COIL

ABBREVIATIONS

DCS : DISTRIBUTED CONTROL SYSTEM
UCP : UNIT CONTROL PANEL
LCP : LOCAL CONTROL PANEL
PLC : PROGRAMMABLE LOGIC CONTROLLER
I/P : INPUT
O/P : OUTPUT
ESD : EMERGENCY SHUTDOWN
MCC : MOTOR CONTROL CENTRE

GENERAL NOTES

- SHUTDOWN CONDITION ;
0 = SHUTDOWN 1 = OPERATING
- ALARM/TRIP CONDITION ;
0 = ALARM 1=NORMAL
0 = TRIP 1=NORMAL
- REMOTE/LOCAL CONDITION ;
0 = LOCAL 1=REMOTE

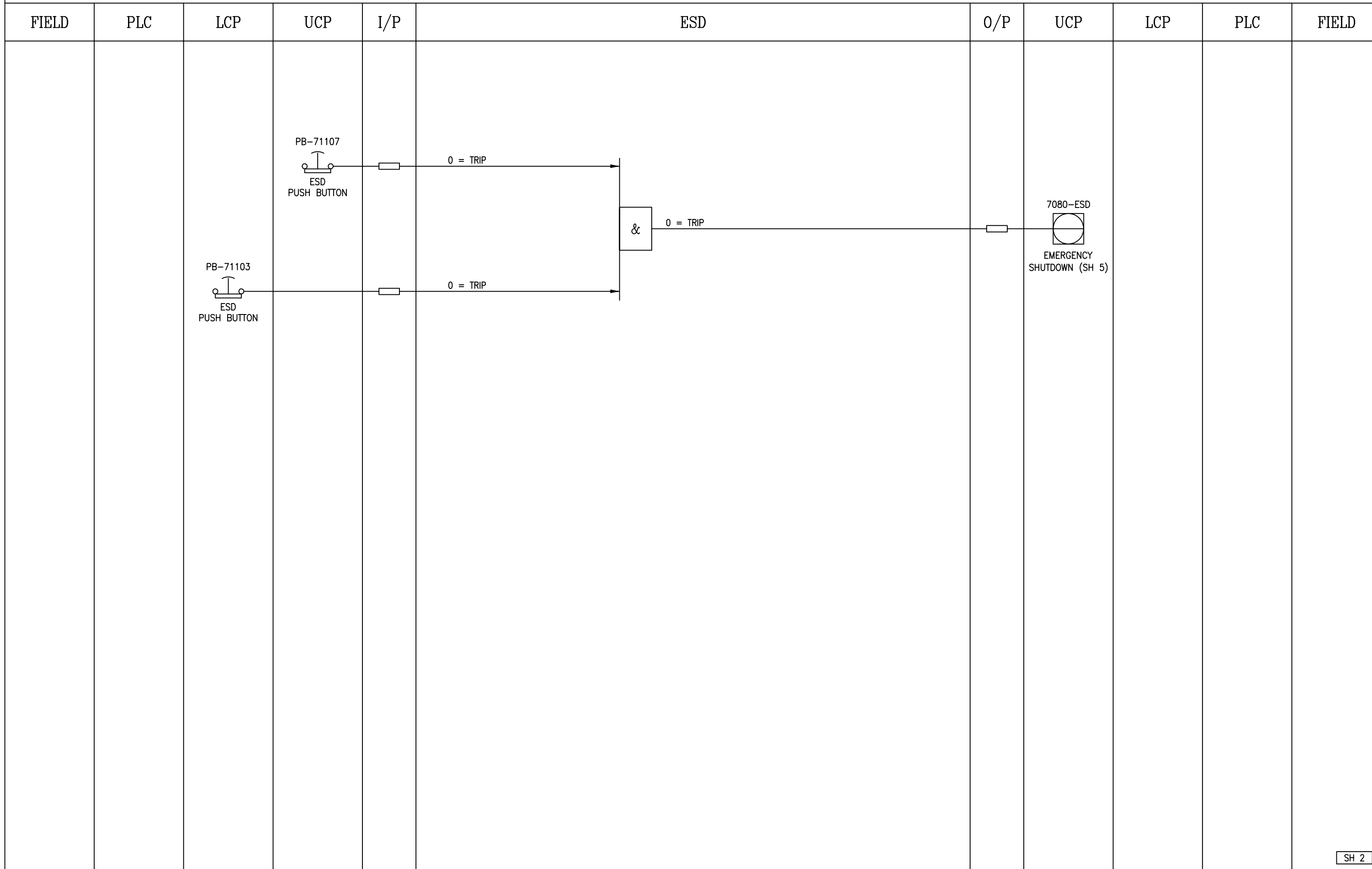


SH 1



SUBJECT BUSHEHR PETROCHEMICAL COMPANY MEG PLANT EMERGENCY INSTRUMENT AIR COMPRESSOR		DATE 20-11-2020	THIS DRAWING IS OWNED BY AIRPACK AND SHALL NOT BE PRINTED OR COPIED IN ANY OTHER WAY THAN WITH AIRPACKS PERMISSION			
DRAWN BY TJ		CHECKED BY KP		REV 04	16-05-2022	WZ
CLIENT BUSHEHR PETROCHEMICAL COMPANY (BUPC)	PLANT LOCATION IRAN	DRAWING NO. 17811-32B	REV 03	18-03-2022	AS	
CLIENT REF 20-C-7080	SHEETNO. 01 /14		REV 02	03-01-2022	AS	
AIRPACK REF 17811			REV 01	29-11-2021	WZ	
			REV 00	20-11-2020	TJ	

LOGIC DIAGRAM

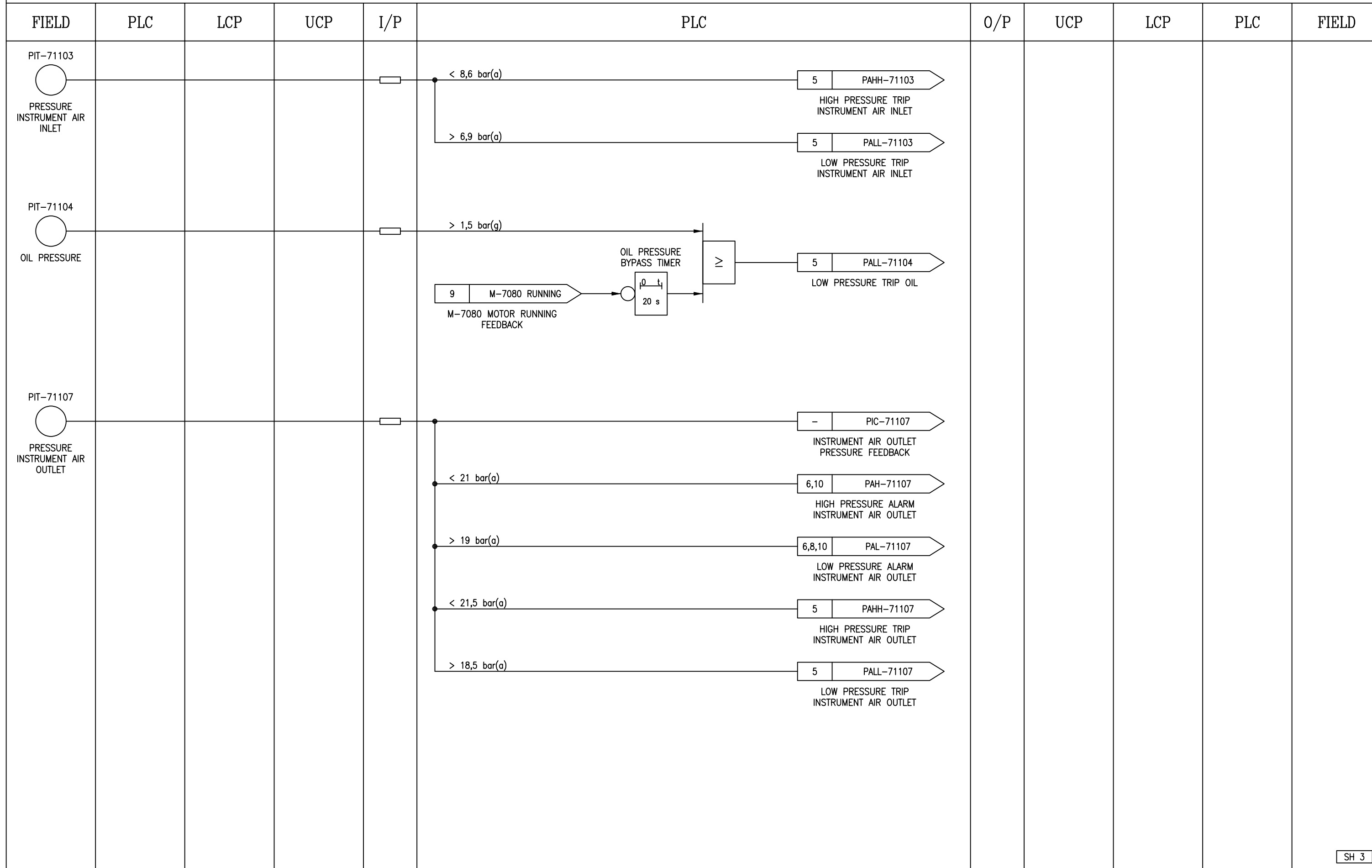


SH 2

NOTES:


	SUBJECT BUSHEHR PETROCHEMICAL COMPANY MEG PLANT EMERGENCY INSTRUMENT AIR COMPRESSOR		DATE	20-11-2020	THIS DRAWING IS OWNED BY AIRPACK AND SHALL NOT BE PRINTED OR COPIED IN ANY OTHER WAY THAN WITH AIRPACKS PERMISSION
			DRAWN BY	TJ	
			CHECKED BY	KP	
			PLANT LOCATION	IRAN	
	CLIENT	BUSHEHR PETROCHEMICAL COMPANY (BUPC)	DRAWING NO.	17811-32B	
	CLIENT REF	20-C-7080	SHEETNO.	02 / 14	
	AIRPACK REF	17811			
					REV 04 16-05-2022 WZ
					REV 03 18-03-2022 AS
					REV 02 03-01-2022 AS
					REV 01 29-11-2021 WZ
					REV 00 20-11-2020 TJ

LOGIC DIAGRAM

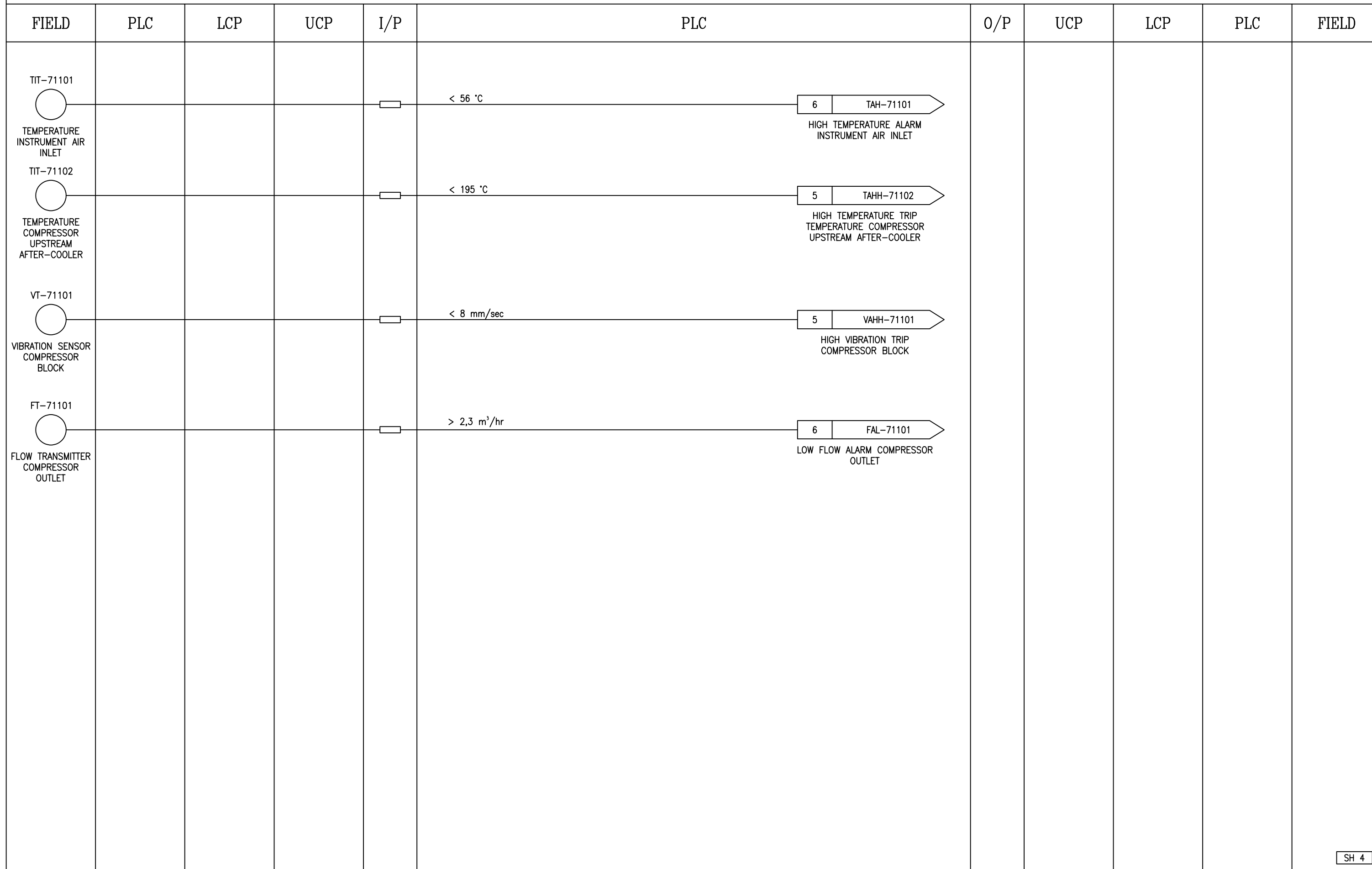


SH 3

NOTES:

	SUBJECT BUSHEHR PETROCHEMICAL COMPANY MEG PLANT EMERGENCY INSTRUMENT AIR COMPRESSOR		DATE 20-11-2020	THIS DRAWING IS OWNED BY AIRPACK AND SHALL NOT BE PRINTED OR COPIED IN ANY OTHER WAY THAN WITH AIRPACKS PERMISSION
	CLIENT BUSHEHR PETROCHEMICAL COMPANY (BUPC)	PLANT LOCATION IRAN	DRAWN BY TJ	
CLIENT REF 20-C-7080	DRAWING NO. 17811-32B	CHECKED BY KP	REV 04 16-05-2022 WZ	
AIRPACK REF 17811	SHEETNO. 03 / 14		REV 03 18-03-2022 AS	
			REV 02 03-01-2022 AS	
			REV 01 29-11-2021 WZ	
			REV 00 20-11-2020 TJ	

LOGIC DIAGRAM

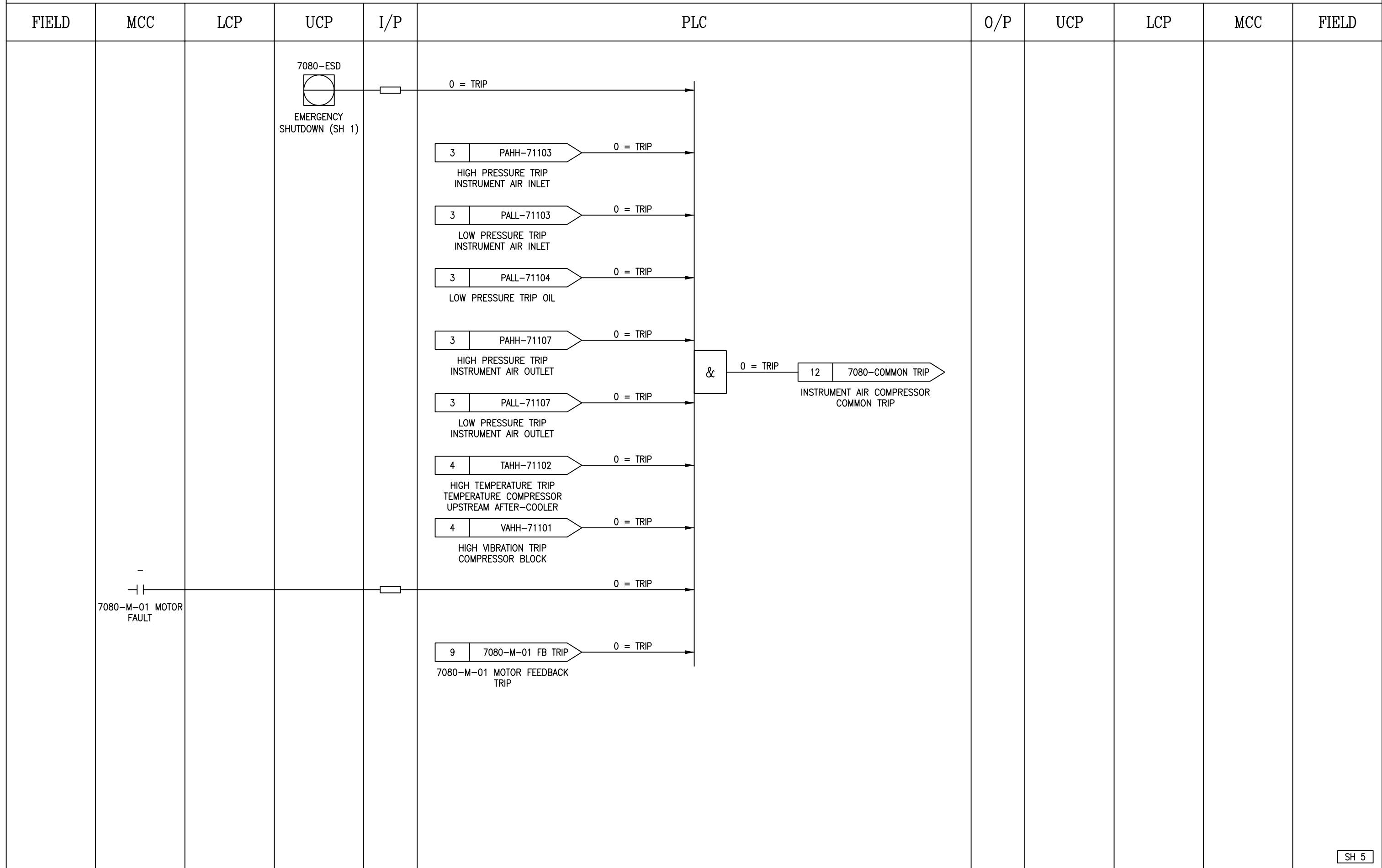


SH 4

NOTES:

	SUBJECT BUSHEHR PETROCHEMICAL COMPANY MEG PLANT EMERGENCY INSTRUMENT AIR COMPRESSOR		DATE	20-11-2020	THIS DRAWING IS OWNED BY AIRPACK AND SHALL NOT BE PRINTED OR COPIED IN ANY OTHER WAY THAN WITH AIRPACKS PERMISSION	
			DRAWN BY	TJ		
			CHECKED BY	KP		
	CLIENT	BUSHEHR PETROCHEMICAL COMPANY (BUPC)	PLANT LOCATION	IRAN		
CLIENT REF	20-C-7080	DRAWING NO.	17811-32B	REV 04	16-05-2022	WZ
AIRPACK REF	17811	SHEETNO.	04 /14	REV 03	18-03-2022	AS
				REV 02	03-01-2022	AS
				REV 01	29-11-2021	WZ
				REV 00	20-11-2020	TJ

LOGIC DIAGRAM

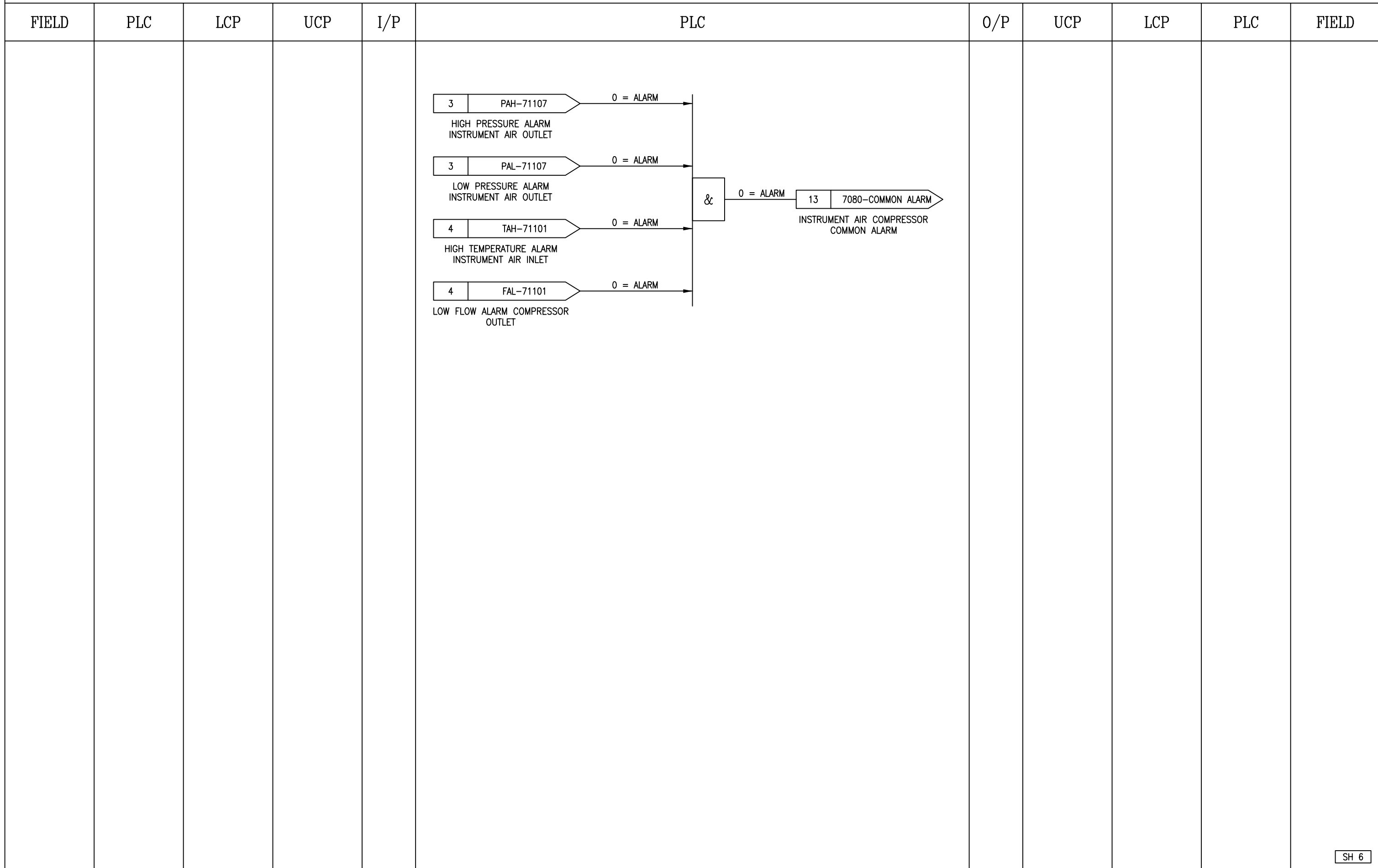


NOTES:



SUBJECT BUSHEHR PETROCHEMICAL COMPANY MEG PLANT EMERGENCY INSTRUMENT AIR COMPRESSOR		DATE	20-11-2020	THIS DRAWING IS OWNED BY AIRPACK AND SHALL NOT BE PRINTED OR COPIED IN ANY OTHER WAY THAN WITH AIRPACKS PERMISSION		
		DRAWN BY	TJ		REV 04	16-05-2022
CLIENT BUSHEHR PETROCHEMICAL COMPANY (BUPC)		CHECKED BY	KP	REV 03	18-03-2022	AS
		CLIENT REF	20-C-7080	PLANT LOCATION	IRAN	REV 02
AIRPACK REF 17811		DRAWING NO.	17811-32B	REV 01	29-11-2021	WZ
		SHEETNO.	05 / 14	REV 00	20-11-2020	TJ

LOGIC DIAGRAM

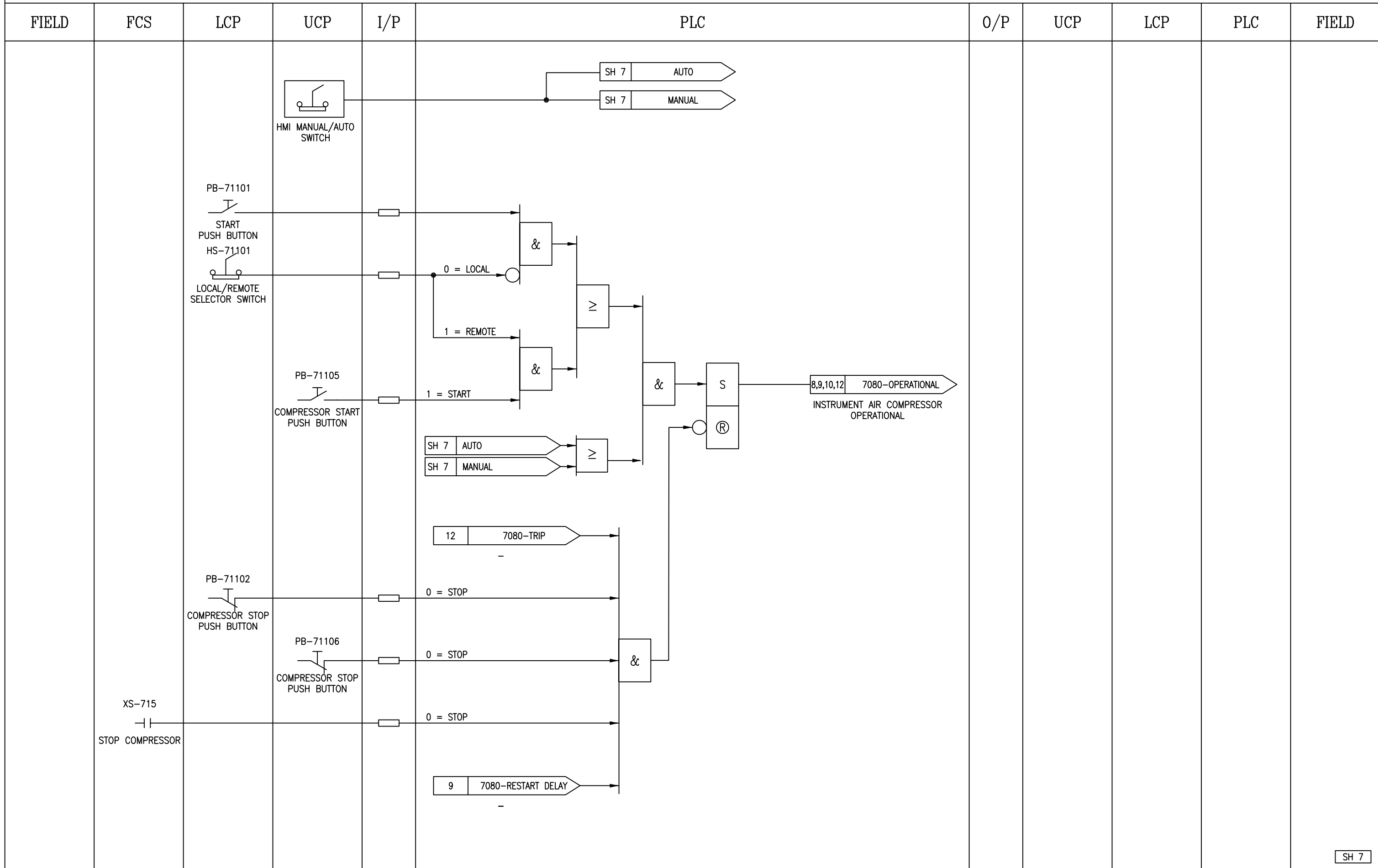


SH 6

NOTES:

	SUBJECT	BUSHEHR PETROCHEMICAL COMPANY MEG PLANT EMERGENCY INSTRUMENT AIR COMPRESSOR	DATE	20-11-2020
	CLIENT	BUSHEHR PETROCHEMICAL COMPANY (BUPC)	DRAWN BY	TJ
CLIENT REF	20-C-7080	PLANT LOCATION	CHECKED BY	KP
AIRPACK REF	17811	DRAWING NO.	SHEETNO.	06 /14
THIS DRAWING IS OWNED BY AIRPACK AND SHALL NOT BE PRINTED OR COPIED IN ANY OTHER WAY THAN WITH AIRPACKS PERMISSION				
		REV 04	16-05-2022	WZ
		REV 03	18-03-2022	AS
		REV 02	03-01-2022	AS
		REV 01	29-11-2021	WZ
		REV 00	20-11-2020	TJ

LOGIC DIAGRAM

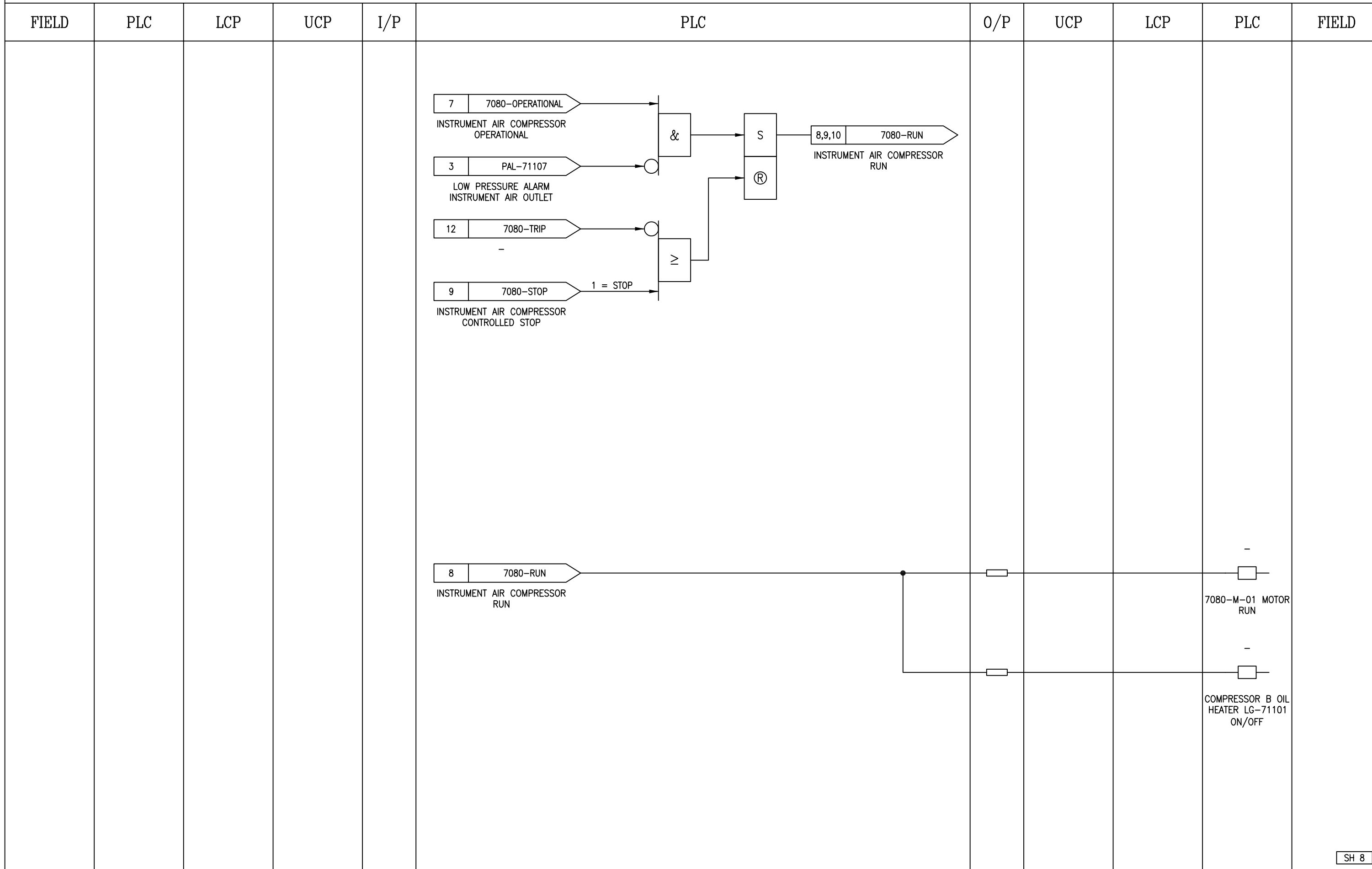


SH 7

NOTES:

	SUBJECT BUSHEHR PETROCHEMICAL COMPANY MEG PLANT EMERGENCY INSTRUMENT AIR COMPRESSOR		DATE 20-11-2020	THIS DRAWING IS OWNED BY AIRPACK AND SHALL NOT BE PRINTED OR COPIED IN ANY OTHER WAY THAN WITH AIRPACKS PERMISSION
	CLIENT BUSHEHR PETROCHEMICAL COMPANY (BUPC)	PLANT LOCATION IRAN	DRAWING NO. 17811-32B	
CLIENT REF 20-C-7080	AIRPACK REF 17811	SHEETNO. 07 /14	REV 04 16-05-2022 WZ	
			REV 03 18-03-2022 AS	
			REV 02 03-01-2022 AS	
			REV 01 29-11-2021 WZ	
			REV 00 20-11-2020 TJ	

LOGIC DIAGRAM

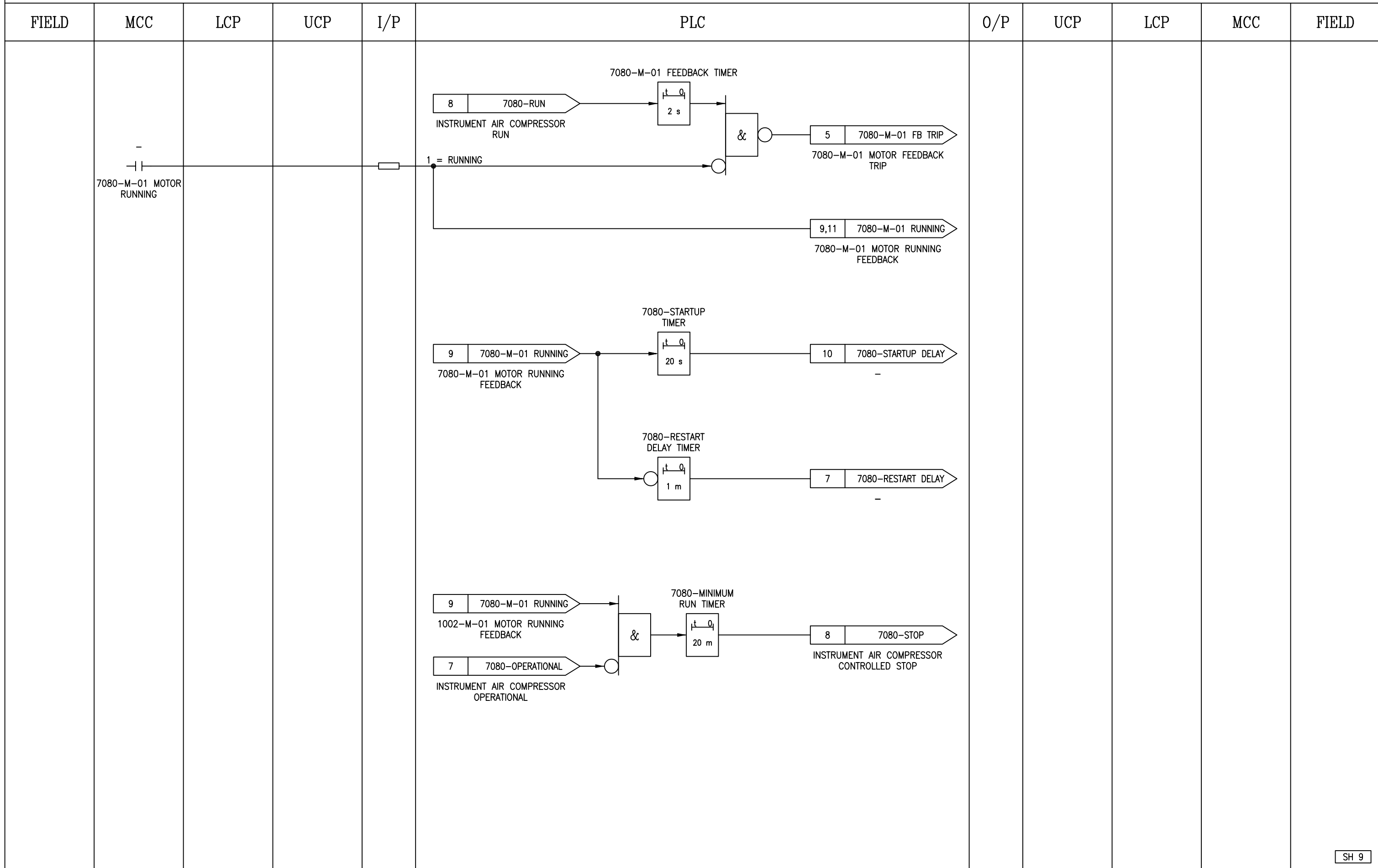


SH 8

NOTES:

	SUBJECT BUSHEHR PETROCHEMICAL COMPANY MEG PLANT EMERGENCY INSTRUMENT AIR COMPRESSOR		DATE	20-11-2020	THIS DRAWING IS OWNED BY AIRPACK AND SHALL NOT BE PRINTED OR COPIED IN ANY OTHER WAY THAN WITH AIRPACKS PERMISSION		
			DRAWN BY	TJ			
	CLIENT	BUSHEHR PETROCHEMICAL COMPANY (BUPC)	PLANT LOCATION	IRAN	REV 04	16-05-2022	WZ
	CLIENT REF	20-C-7080	DRAWING NO.	17811-32B	REV 03	18-03-2022	AS
	AIRPACK REF	17811	SHEETNO.	08 /14	REV 02	03-01-2022	AS
					REV 01	29-11-2021	WZ
					REV 00	20-11-2020	TJ

LOGIC DIAGRAM

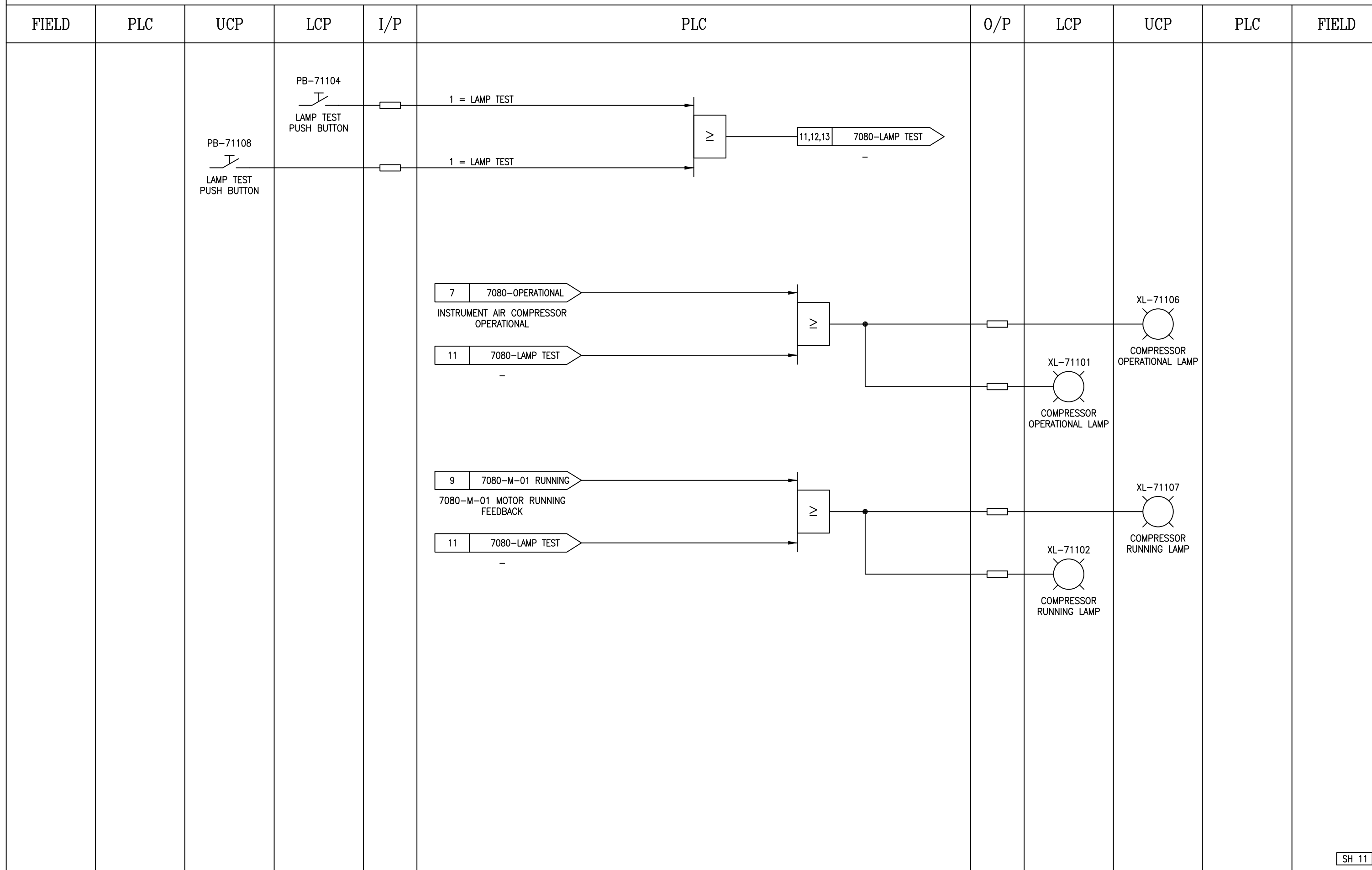


SH 9

NOTES:


	SUBJECT BUSHEHR PETROCHEMICAL COMPANY MEG PLANT EMERGENCY INSTRUMENT AIR COMPRESSOR		DATE 20-11-2020	THIS DRAWING IS OWNED BY AIRPACK AND SHALL NOT BE PRINTED OR COPIED IN ANY OTHER WAY THAN WITH AIRPACKS PERMISSION															
	CLIENT BUSHEHR PETROCHEMICAL COMPANY (BUPC)	PLANT LOCATION IRAN	DRAWN BY TJ																
	CLIENT REF 20-C-7080	DRAWING NO. 17811-32B	CHECKED BY KP																
	AIRPACK REF 17811	SHEETNO. 09 /14																	
				<table border="1" style="width:100%; border-collapse: collapse;"> <tr> <td>REV 04</td> <td>16-05-2022</td> <td>WZ</td> </tr> <tr> <td>REV 03</td> <td>18-03-2022</td> <td>AS</td> </tr> <tr> <td>REV 02</td> <td>03-01-2022</td> <td>AS</td> </tr> <tr> <td>REV 01</td> <td>29-11-2021</td> <td>WZ</td> </tr> <tr> <td>REV 00</td> <td>20-11-2020</td> <td>TJ</td> </tr> </table>	REV 04	16-05-2022	WZ	REV 03	18-03-2022	AS	REV 02	03-01-2022	AS	REV 01	29-11-2021	WZ	REV 00	20-11-2020	TJ
REV 04	16-05-2022	WZ																	
REV 03	18-03-2022	AS																	
REV 02	03-01-2022	AS																	
REV 01	29-11-2021	WZ																	
REV 00	20-11-2020	TJ																	

LOGIC DIAGRAM

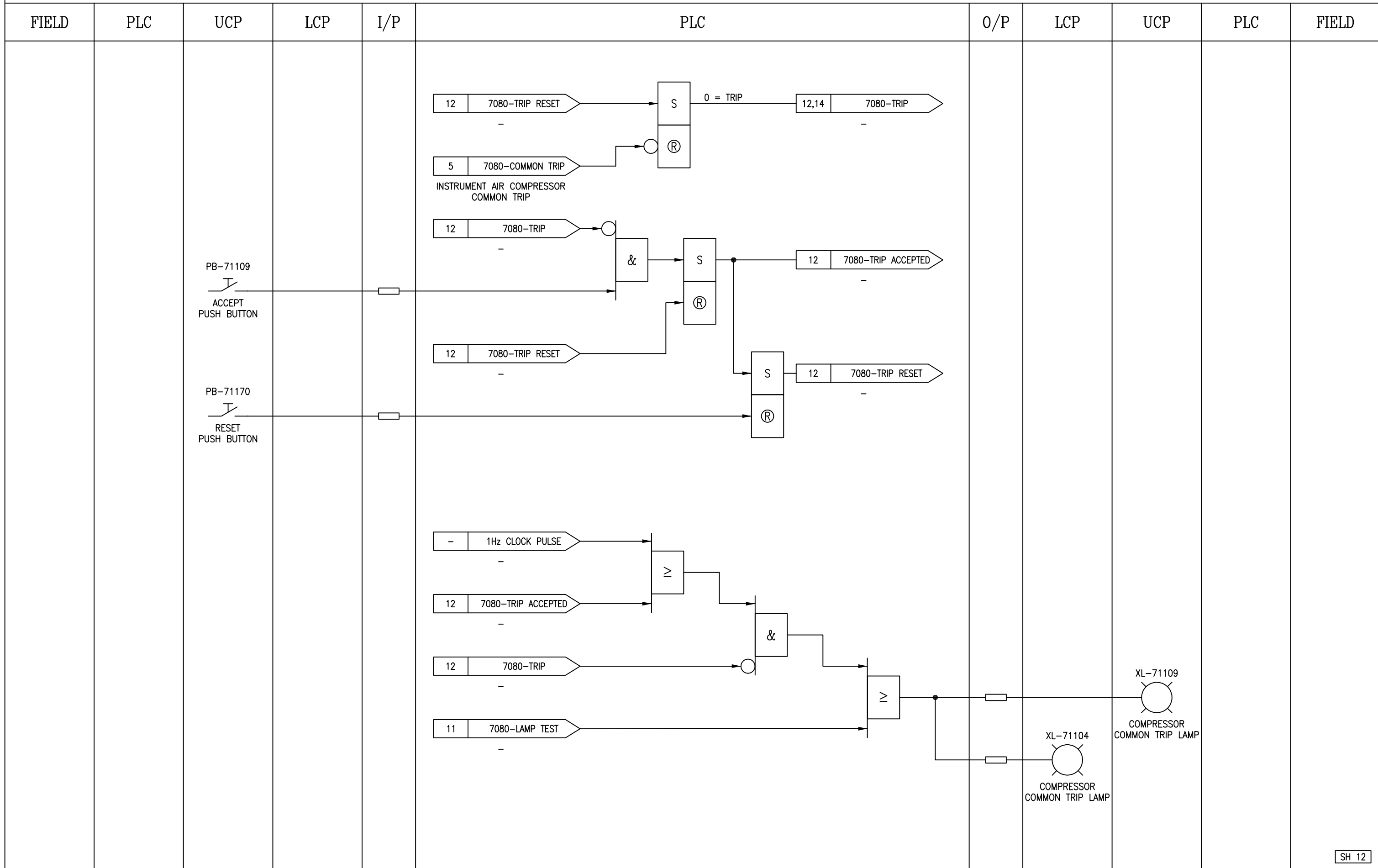


SH 11

NOTES:


	SUBJECT BUSHEHR PETROCHEMICAL COMPANY MEG PLANT EMERGENCY INSTRUMENT AIR COMPRESSOR		DATE	20-11-2020	THIS DRAWING IS OWNED BY AIRPACK AND SHALL NOT BE PRINTED OR COPIED IN ANY OTHER WAY THAN WITH AIRPACKS PERMISSION	
			DRAWN BY	TJ		
			CHECKED BY	KP		
			PLANT LOCATION	IRAN		
CLIENT	BUSHEHR PETROCHEMICAL COMPANY (BUPC)	DRAWING NO.	17811-32B	REV 04	16-05-2022	WZ
CLIENT REF	20-C-7080	SHEETNO.	11 /14	REV 03	18-03-2022	AS
AIRPACK REF	17811			REV 02	03-01-2022	AS
				REV 01	29-11-2021	WZ
				REV 00	20-11-2020	TJ

LOGIC DIAGRAM

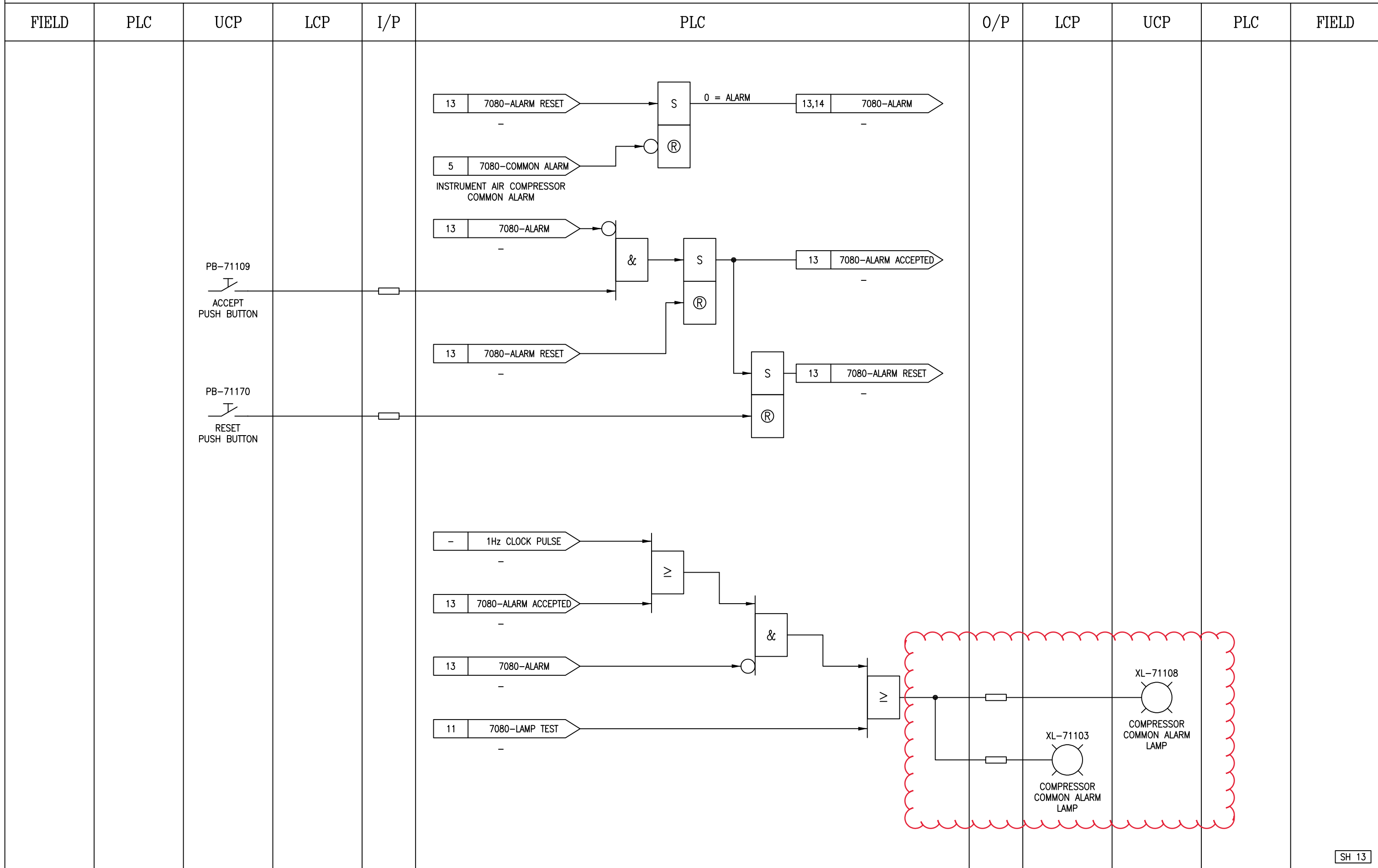


SH 12

NOTES:

	SUBJECT BUSHEHR PETROCHEMICAL COMPANY MEG PLANT EMERGENCY INSTRUMENT AIR COMPRESSOR		DATE 20-11-2020	THIS DRAWING IS OWNED BY AIRPACK AND SHALL NOT BE PRINTED OR COPIED IN ANY OTHER WAY THAN WITH AIRPACKS PERMISSION															
	CLIENT BUSHEHR PETROCHEMICAL COMPANY (BUPC)	PLANT LOCATION IRAN	DRAWN BY TJ																
	CLIENT REF 20-C-7080	DRAWING NO. 17811-32B	CHECKED BY KP																
	AIRPACK REF 17811	SHEETNO. 12 / 14																	
				<table border="1"> <tr> <td>REV 04</td> <td>16-05-2022</td> <td>WZ</td> </tr> <tr> <td>REV 03</td> <td>18-03-2022</td> <td>AS</td> </tr> <tr> <td>REV 02</td> <td>03-01-2022</td> <td>AS</td> </tr> <tr> <td>REV 01</td> <td>29-11-2021</td> <td>WZ</td> </tr> <tr> <td>REV 00</td> <td>20-11-2020</td> <td>TJ</td> </tr> </table>	REV 04	16-05-2022	WZ	REV 03	18-03-2022	AS	REV 02	03-01-2022	AS	REV 01	29-11-2021	WZ	REV 00	20-11-2020	TJ
REV 04	16-05-2022	WZ																	
REV 03	18-03-2022	AS																	
REV 02	03-01-2022	AS																	
REV 01	29-11-2021	WZ																	
REV 00	20-11-2020	TJ																	

LOGIC DIAGRAM



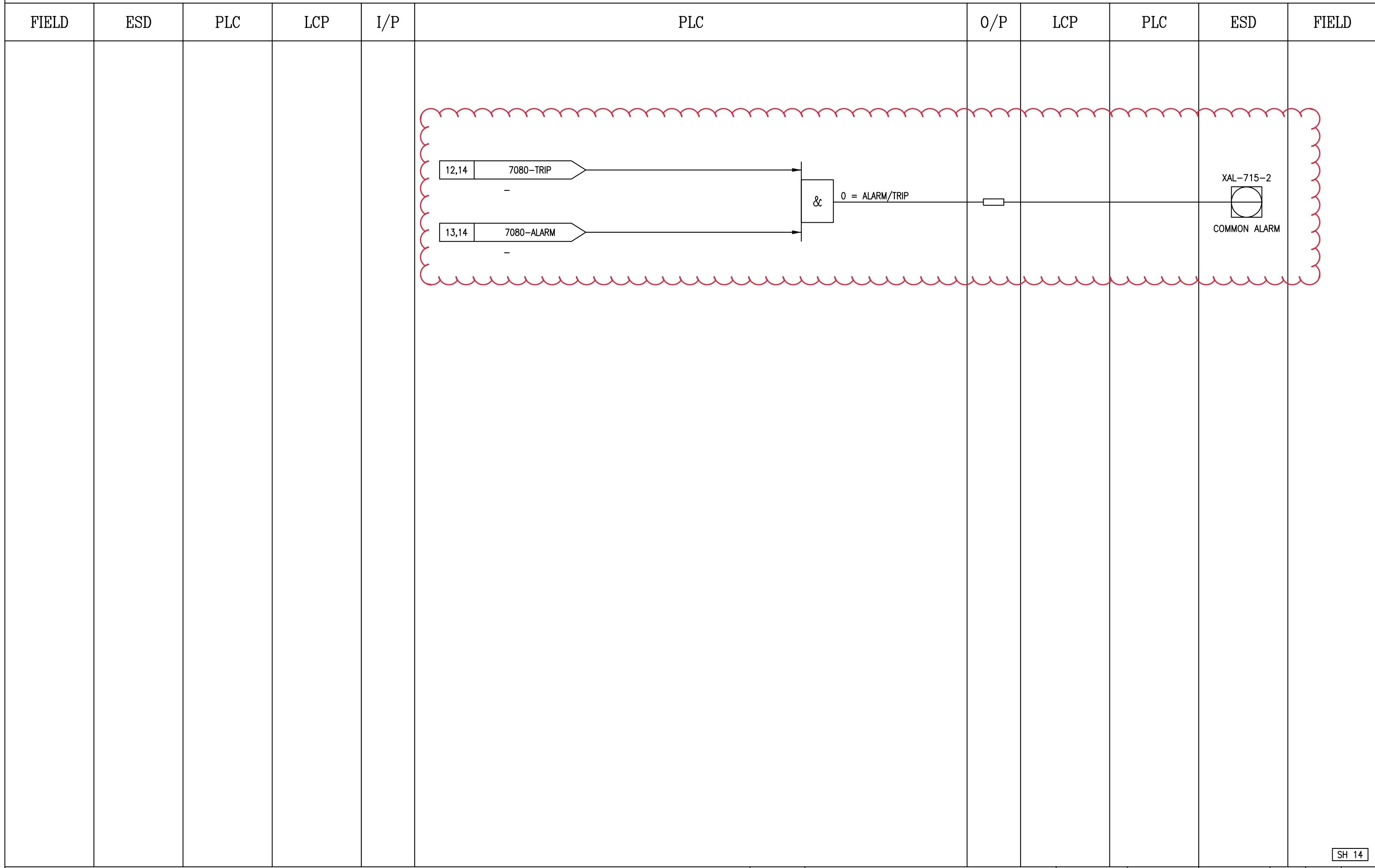
SH 13

NOTES:

	SUBJECT	BUSHEHR PETROCHEMICAL COMPANY MEG PLANT EMERGENCY INSTRUMENT AIR COMPRESSOR	DATE	20-11-2020	
	CLIENT	BUSHEHR PETROCHEMICAL COMPANY (BUPC)	DRAWN BY	TJ	
CLIENT REF	20-C-7080	PLANT LOCATION	IRAN	CHECKED BY	KP
AIRPACK REF	17811	DRAWING NO.	17811-32B	SHEETNO.	13 /14

THIS DRAWING IS OWNED BY AIRPACK AND SHALL NOT BE PRINTED OR COPIED IN ANY OTHER WAY THAN WITH AIRPACKS PERMISSION		
REV 04	16-05-2022	WZ
REV 03	18-03-2022	AS
REV 02	03-01-2022	AS
REV 01	29-11-2021	WZ
REV 00	20-11-2020	TJ

LOGIC DIAGRAM



SH 14

NOTES:



SUBJECT BUSHEHR PETROCHEMICAL COMPANY
MEG PLANT
EMERGENCY INSTRUMENT AIR COMPRESSOR

CLIENT	BUSHEHR PETROCHEMICAL COMPANY (BUPC)
CLIENT REF	20-C-7080
AIRPACK REF	17811

DATE	20-11-2020
DRAWN BY	TJ
CHECKED BY	KP
PLANT LOCATION	IRAN
DRAWING NO.	17811-32B
SHEETNO.	14 /14

THIS DRAWING IS OWNED BY AIRPACK AND SHALL NOT BE PRINTED OR COPIED IN ANY OTHER WAY THAN WITH AIRPACKS PERMISSION

REV 04	16-05-2022	WZ
REV 03	18-03-2022	AS
REV 02	03-01-2022	AS
REV 01	29-11-2021	WZ
REV 00	20-11-2020	TJ