





OWNER:  شرکت سست و سویی توهمه ایرانیان (سهامی عامه)	BUSHEHR PETROCHEMICAL COMPANY MEG PLANT						EPC CONTRACTOR:  Chagalesh-Enerechimi-Steam Joint Venture BUPC-MEG PLANT PROJECT		
	ARCHITECTURE DIAGRAM FOR INSTRUMENT AIR COMPRESSOR								
MC :  شرکت سست و سویی توهمه ایرانیان (سهامی عامه)	Project	Area	Phase	Unit	Dis.	Doc.	Seq.	Contract No : 52-98/445	
Owner Document Number: 17811-46B	BU	20	VD	303	IN	DIG	0094	Rev.:	Page
								02	1 of 3

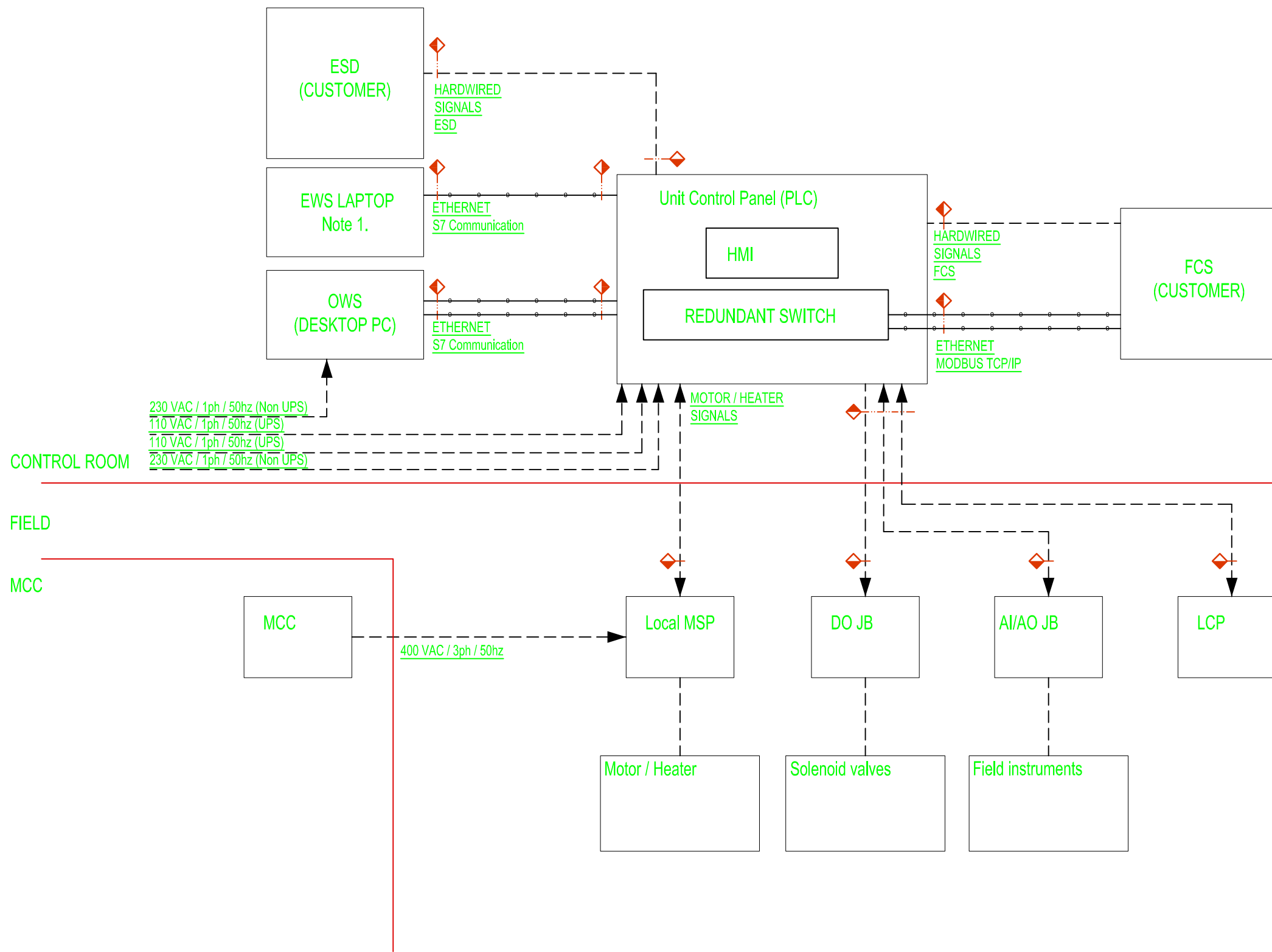
ARCHITECTURE DIAGRAM FOR INSTRUMENT AIR COMPRESSOR

Rev.	Date	Purpose of Issue	Prepared	Checked	Approved	AC Code
02	05/07/2022	Approved for Construction	KP	CL	JR	
02	09/06/2022	For Approval	KP	CL	JR	
01	10/05/2022	For Approval	KP	CL	JR	
00	12/03/2021	For Approval	TJ	KP	JR	
					Class: 1	Phase: P

Abbreviations:
 FCS : Field Control System
 ESD : Emergency Shutdown
 EWS : Engineering Work Station
 OWS : Operating Work Station
 HMI : Human Machine Interface
 MSP : Motor Starter Panel

Notes:
 1. One common laptop for Nitrogen and air compressor

Serial
 Hardwired



NOTES:



SUBJECT	MEG PLANT airCOMPRESSOR PLC ARCHITECTURE DIAGRAM	DATE	11-03-2021
CLIENT	BUSHEHER PETROCHEMICAL COMPANY (BUPC)	DRAWN BY	TJ
CLIENT REF	MEG20-PO-BP303-021	CHECKED BY	KP
AIRPACK REF	17811-COM	PLANT LOCATION	-
		DRAWING NO.	17811-46B
		SHEETNO.	01 /01

THIS DRAWING IS OWNED BY AIRPACK AND SHALL NOT BE PRINTED OR COPIED IN ANY OTHER WAY THAN WITH AIRPACKS PERMISSION			
REV 03	06-07-2022	KP	
REV 02	08-06-2022	KP	
REV 01	10-05-2022	KP	
REV 00	11-03-2021	TJ	