





|  |   |      |       |      |      |      |  |   |         |
|--|---|------|-------|------|------|------|--|---|---------|
| OWNER:<br><br>شرکت سست و سوزنی آوند ابراهیمان<br>(سهامی خاص) | <b>BUSHEHR PETROCHEMICAL COMPANY<br/>MEG PLANT</b>  |      |       |      |      |      | EPC CONTRACTOR:<br><br>Chagalesh-Enerchimi-Steam<br>Joint Venture<br>BUPC-MEG PLANT PROJECT |   |         |
|  | <b>LOGIC DIAGRAMS-PROGRAM OF UCP -<br/>COMPRESSOR SHUTDOWN LOGIC<br/>DRAWING FOR NITROGEN GAS<br/>BOOSTER</b> |      |       |      |      |      |  |  |         |
| MC :<br><br>شرکت سست و سوزنی آوند ابراهیمان<br>(سهامی خاص)  | Project   | Area | Phase | Unit | Dis. | Doc. | Seq.   | Contract No : 52-98/445   |         |
| Owner Document Number:<br>17811-32A  | BU  | 20   | VD    | 303  | IN   | DIG  | 0035   | Rev.:   | Page    |
|  |   |      |       |      |      |      |  | 06  | 1 of 16 |

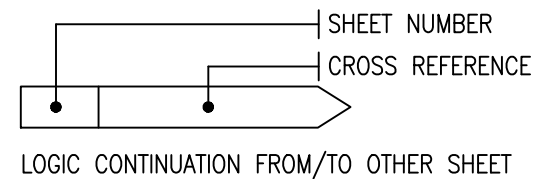
## LOGIC DIAGRAMS-PROGRAM OF UCP - COMPRESSOR SHUTDOWN LOGIC DRAWING FOR NITROGEN GAS BOOSTER

|             |             |                           |                 |                |                 |                 |
|-------------|-------------|---------------------------|-----------------|----------------|-----------------|-----------------|
| 06          | 14/07/2022  | Approved for Construction | RT              | KP             | JR              |                 |
| 05          | 05/07/2022  | Approved for Construction | RT              | KP             | JR              |                 |
| 04          | 17/05/2022  | Approved for Construction | AZ              | KP             | JR              |                 |
| 03          | 18/03/2022  | Approved for Construction | AS              | KP             | JR              |                 |
| 02          | 06/01/2022  | Approved for Construction | WZ              | KP             | JR              |                 |
| 01          | 30/11/2021  | For approval              | WZ              | KP             | JR              |                 |
| 00          | 24/11/2020  | For approval              | TJ              | RB             | JR              |                 |
| <b>Rev.</b> | <b>Date</b> | <b>Purpose of Issue</b>   | <b>Prepared</b> | <b>Checked</b> | <b>Approved</b> | <b>AC Code</b>  |
|             |             |                           |                 |                | <b>Class: 1</b> | <b>Phase: P</b> |



| SYMBOL | FUNCTION                             | DESCRIPTION  |
|--------|--------------------------------------|--|
|        | AND                                  | OUTPUT D EXISTS ONLY IF AND WHILE INPUTS A,B AND C EXIST.  |
|        | OR                                   | OUTPUT D EXISTS ONLY IF AND WHILE ONE OR MORE OF INPUTS A,B OR C EXIST.  |
|        | XOR                                  | OUTPUT D EXISTS ONLY IF AND WHILE ONE OF INPUTS A,B OR C EXIST.  |
|        | NOT                                  | OUTPUT B EXISTS ONLY IF AND WHILE INPUT A DOES NOT EXIST.  |
|        | TIMER<br>(DELAY INITIATION)          | THE CONTINUOUS EXISTENCE OF INPUT A FOR TIME T CAUSES OUTPUT B TO EXIST WHEN THE TIME T EXPIRES.<br>B TERMINATES IMMEDIATELY WHEN A TERMINATES.  |
|        | TIMER<br>(DELAY TERMINATION)         | THE EXISTENCE OF INPUT A CAUSES OUTPUT B TO EXIST IMMEDIATELY.<br>B TERMINATES WHEN A HAS TERMINATED AND HAS NOT AGAIN EXISTED FOR TIME T.   |
|        | PULSE OUTPUT                         | THE EXISTENCE OF INPUT A CAUSES OUTPUT B TO EXIST IMMEDIATELY.<br>B EXISTS FOR TIME T, REGARDLESS OF THE STATE OF A.   |
|        | FLIP-FLOP MEMORY<br>(SET PRIORITY)   | OUTPUT C EXISTS AS SOON AS A EXISTS.<br>C CONTINUES TO EXIST, REGARDLESS OF THE SUBSEQUENT STATE OF A,<br>UNTIL THE MEMORY IS RESET (I.E; TERMINATED BY B EXISTING)<br>C REMAINS TERMINATED, REGARDLESS OF THE SUBSEQUENT STATE OF B,<br>UNTIL A CAUSES THE MEMORY TO BE SET.<br>IF A AND B EXIST SIMULTANEOUSLY, A OVERRIDES B. |
|        | FLIP-FLOP MEMORY<br>(RESET PRIORITY) | OUTPUT C EXISTS AS SOON AS A EXISTS.<br>C CONTINUES TO EXIST, REGARDLESS OF THE SUBSEQUENT STATE OF A,<br>UNTIL THE MEMORY IS RESET (I.E; TERMINATED BY B EXISTING)<br>C REMAINS TERMINATED, REGARDLESS OF THE SUBSEQUENT STATE OF B,<br>UNTIL A CAUSES THE MEMORY TO BE SET.<br>IF A AND B EXIST SIMULTANEOUSLY, B OVERRIDES A. |
|        |                                      | LOGIC CONNECTION   |
|        |                                      | NO CONNECTION  |
|        |                                      | SERIAL LINK / FOUNDATION FIELDBUS PROTOCOL   |

| SYMBOL | DESCRIPTION                                  |
|--------|--|
|        | EMERGENCY PUSHBUTTON,<br>RED HEAD, STAY PUT. |
|        | TOGGLE SWITCH                                |
|        | PUSHBUTTON MOMENTARILY MAKE                  |
|        | PUSHBUTTON MOMENTARILY BREAK                 |
|        | CONTACT NORMALLY OPEN                        |
|        | CONTACT NORMALLY CLOSED                      |
|        | HARDWIRED INPUT/OUTPUT                       |
|        | SOLENOID VALVE, 3-WAY                        |
|        | DISTRIBUTED CONTROL SYSTEM                   |
|        | PLC CONTROL SYSTEM                           |
|        | DCS AUXILIARY CONSOLE                        |
|        | LAMP   |
|        | HMI  |
|        | AUDIBLE ALARM                                |
|        | RELAY COIL                                   |



### ABBREVIATIONS

DCS : DISTRIBUTED CONTROL SYSTEM  
 UCP : UNIT CONTROL PANEL  
 LCP : LOCAL CONTROL PANEL  
 PLC : PROGRAMMABLE LOGIC CONTROLLER  
 I/P : INPUT  
 O/P : OUTPUT  
 ESD : EMERGENCY SHUTDOWN  
 MCC : MOTOR CONTROL CENTRE

### GENERAL NOTES

- SHUTDOWN CONDITION ;  
0 = SHUTDOWN 1 = OPERATING
- ALARM/TRIP CONDITION ;  
0 = ALARM 1=NORMAL  
0 = TRIP 1=NORMAL
- REMOTE/LOCAL CONDITION ;  
0 = LOCAL 1=REMOTE

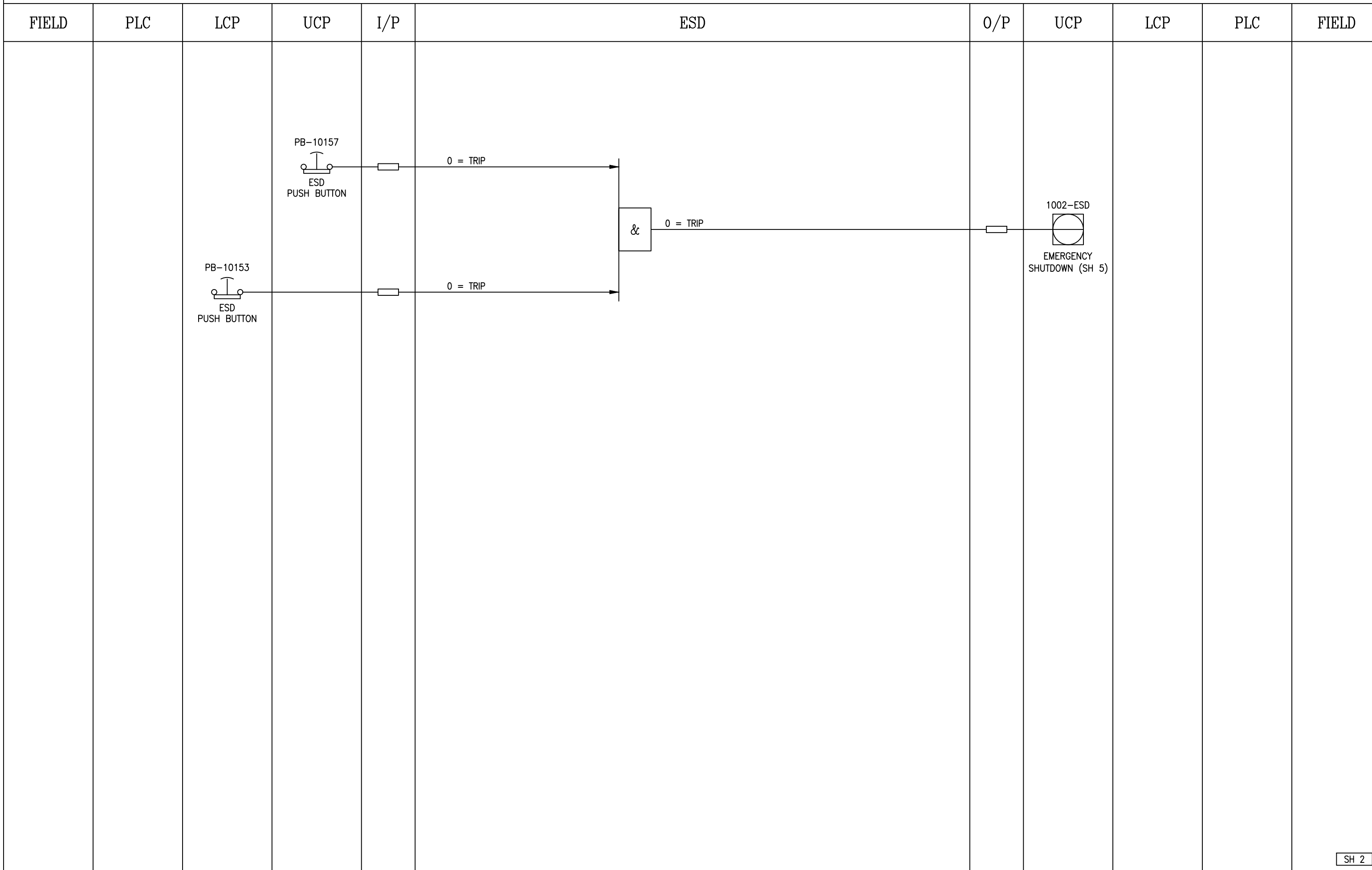
SH 1



|             |   |                |            |
|-------------|---|----------------|------------|
| SUBJECT     | BUSHEHR PETROCHEMICAL COMPANY<br>MEG PLANT<br>NITROGEN COMPRESSOR | DATE           | 20-11-2020 |
| CLIENT      | BUSHEHR PETROCHEMICAL COMPANY (BUPC)                              | DRAWN BY       | TJ         |
| CLIENT REF  | 20-C-1002   | CHECKED BY     | KP         |
| AIRPACK REF | 17811   | PLANT LOCATION | IRAN       |
|             |   | DRAWING NO.    | 17811-32A  |
|             |   | SHEETNO.       | 01 /14     |

|  |        |            |    |
|--|--------|------------|----|
| THIS DRAWING IS OWNED BY AIRPACK AND SHALL NOT BE PRINTED OR COPIED IN ANY OTHER WAY THAN WITH AIRPACKS PERMISSION | REV 06 | 14-07-2022 | RT |
|  | REV 05 | 04-07-2022 | RT |
|  | REV 04 | 16-05-2022 | WZ |
|  | REV 03 | 18-03-2022 | AS |
|  | REV 02 | 03-01-2022 | AS |
|  | REV 01 | 29-11-2021 | WZ |
|  | REV 00 | 20-11-2020 | TJ |

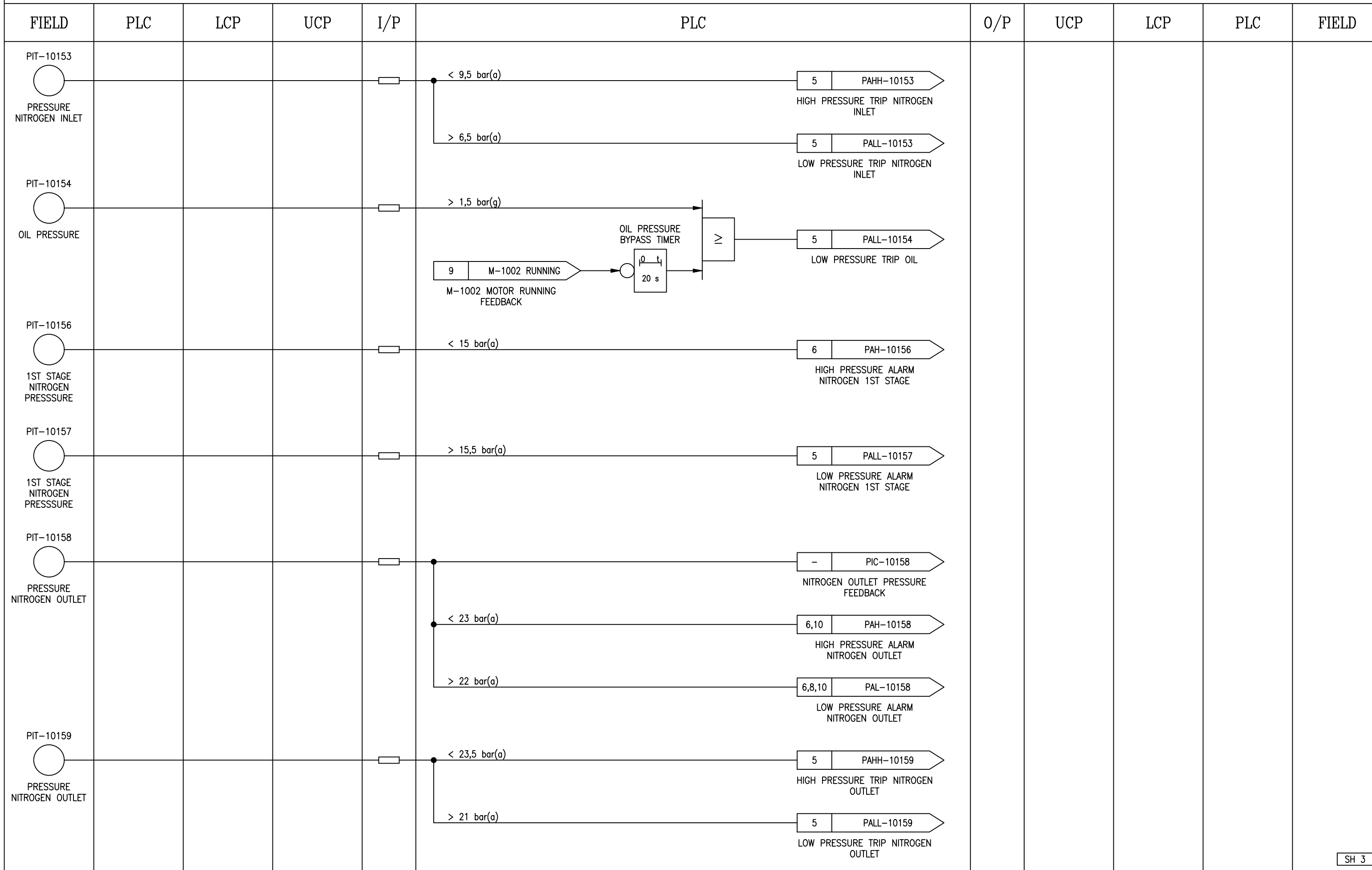
LOGIC DIAGRAM



NOTES:


|  |   |                                      |                |            |  |            |    |
|--|---|--------------------------------------|----------------|------------|--|------------|----|
|  | SUBJECT BUSHEHR PETROCHEMICAL COMPANY<br>MEG PLANT<br>NITROGEN COMPRESSOR |                                      | DATE           | 20-11-2020 | THIS DRAWING IS OWNED BY AIRPACK AND SHALL NOT BE PRINTED OR COPIED IN ANY OTHER WAY THAN WITH AIRPACKS PERMISSION |            |    |
|  | CLIENT  | BUSHEHR PETROCHEMICAL COMPANY (BUPC) | DRAWN BY       | TJ         |  |            |    |
|  | CLIENT REF  | 20-C-1002                            | CHECKED BY     | KP         |  |            |    |
|  | AIRPACK REF   | 17811                                | PLANT LOCATION | IRAN       |  |            |    |
|  |   |                                      | DRAWING NO.    | 17811-32A  | REV 06   | 14-07-2022 | RT |
|  |   |                                      | SHEETNO.       | 02 / 14    | REV 05   | 04-07-2022 | RT |
|  |   |                                      |                |            | REV 04   | 16-05-2022 | WZ |
|  |   |                                      |                |            | REV 03   | 18-03-2022 | AS |
|  |   |                                      |                |            | REV 02   | 03-01-2022 | AS |
|  |   |                                      |                |            | REV 01   | 29-11-2021 | WZ |
|  |   |                                      |                |            | REV 00   | 20-11-2020 | TJ |

# LOGIC DIAGRAM



SH 3

NOTES:

|   |   |                       |                      |  |
|---|---|-----------------------|----------------------|--|
|  | SUBJECT BUSHEHR PETROCHEMICAL COMPANY<br>MEG PLANT<br>NITROGEN COMPRESSOR |                       | DATE 20-11-2020      | THIS DRAWING IS OWNED BY AIRPACK AND SHALL NOT BE PRINTED OR COPIED IN ANY OTHER WAY THAN WITH AIRPACKS PERMISSION |
|   |   |                       | DRAWN BY TJ          |  |
|   |   |                       | CHECKED BY KP        |  |
|   | CLIENT BUSHEHR PETROCHEMICAL COMPANY (BUPC)                               | PLANT LOCATION IRAN   |                      |  |
|   | CLIENT REF 20-C-1002  | DRAWING NO. 17811-32A |                      |  |
| AIRPACK REF 17811   | SHEETNO. 03 / 14  | REV 06 14-07-2022 RT  | REV 05 04-07-2022 RT |  |
|   |   | REV 04 16-05-2022 WZ  | REV 03 18-03-2022 AS |  |
|   |   | REV 02 03-01-2022 AS  | REV 01 29-11-2021 WZ |  |
|   |   | REV 00 20-11-2020 TJ  |                      |  |

LOGIC DIAGRAM



SH 4

NOTES:

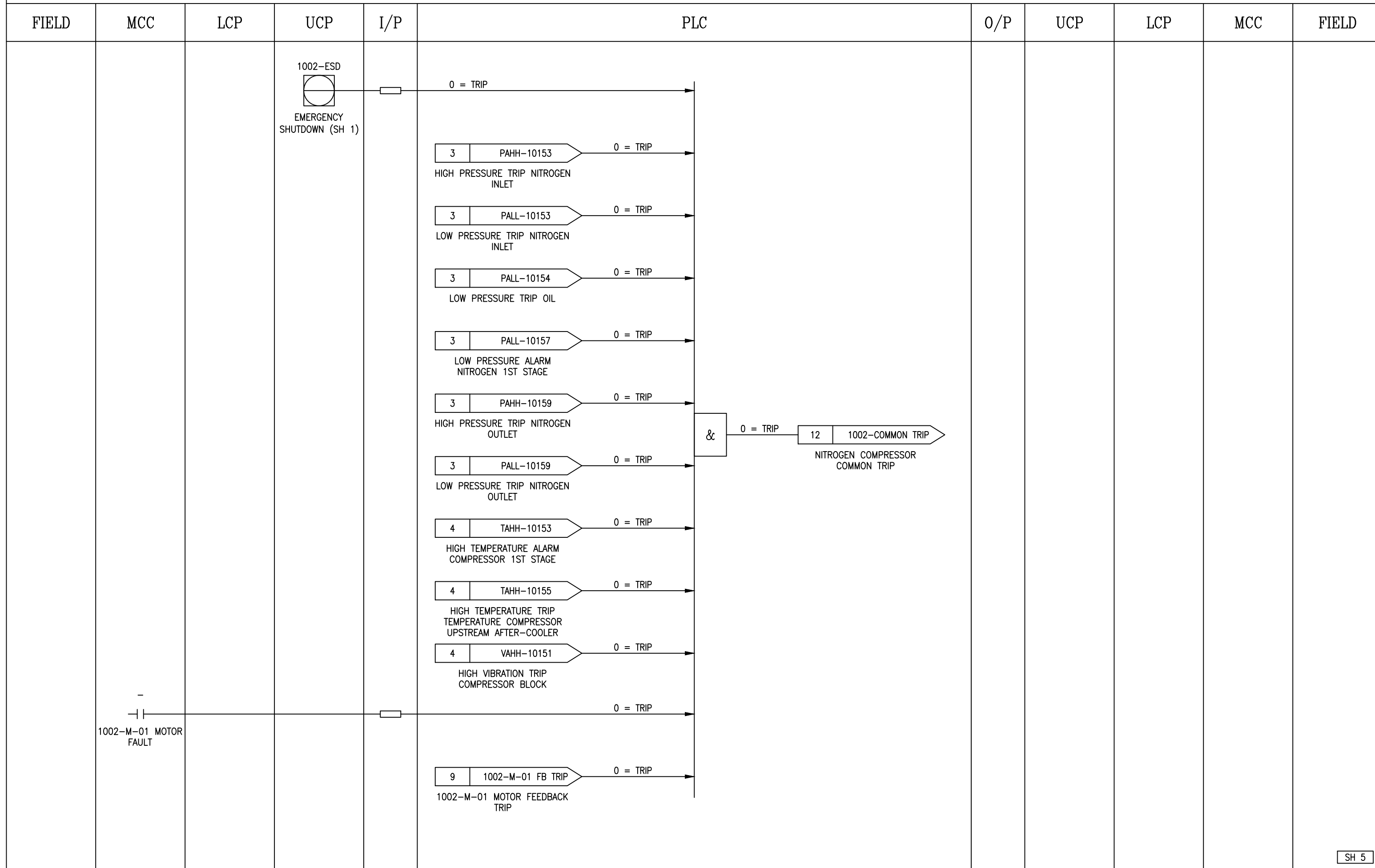


|             |                                      |   |           |
|-------------|--------------------------------------|---|-----------|
| SUBJECT     |                                      | BUSHEHR PETROCHEMICAL COMPANY<br>MEG PLANT<br>NITROGEN COMPRESSOR |           |
| CLIENT      | BUSHEHR PETROCHEMICAL COMPANY (BUPC) | PLANT LOCATION  | IRAN      |
| CLIENT REF  | 20-C-1002                            | DRAWING NO.   | 17811-32A |
| AIRPACK REF | 17811                                | SHEETNO.  | 04 / 14   |

|            |            |
|------------|------------|
| DATE       | 20-11-2020 |
| DRAWN BY   | TJ         |
| CHECKED BY | KP         |

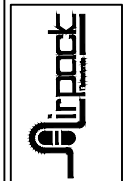
|  |            |            |    |
|--|------------|------------|----|
| THIS DRAWING IS OWNED BY AIRPACK AND SHALL NOT BE PRINTED OR COPIED IN ANY OTHER WAY THAN WITH AIRPACKS PERMISSION | REV 06     | 14-07-2022 | RT |
|  | REV 05     | 04-07-2022 | RT |
|  | REV 04     | 16-05-2022 | WZ |
|  | REV 03     | 18-03-2022 | AS |
|  | REV 02     | 03-01-2022 | AS |
|  | REV 01     | 29-11-2021 | WZ |
| REV 00   | 20-11-2020 | TJ         |    |

LOGIC DIAGRAM



SH 5

NOTES:

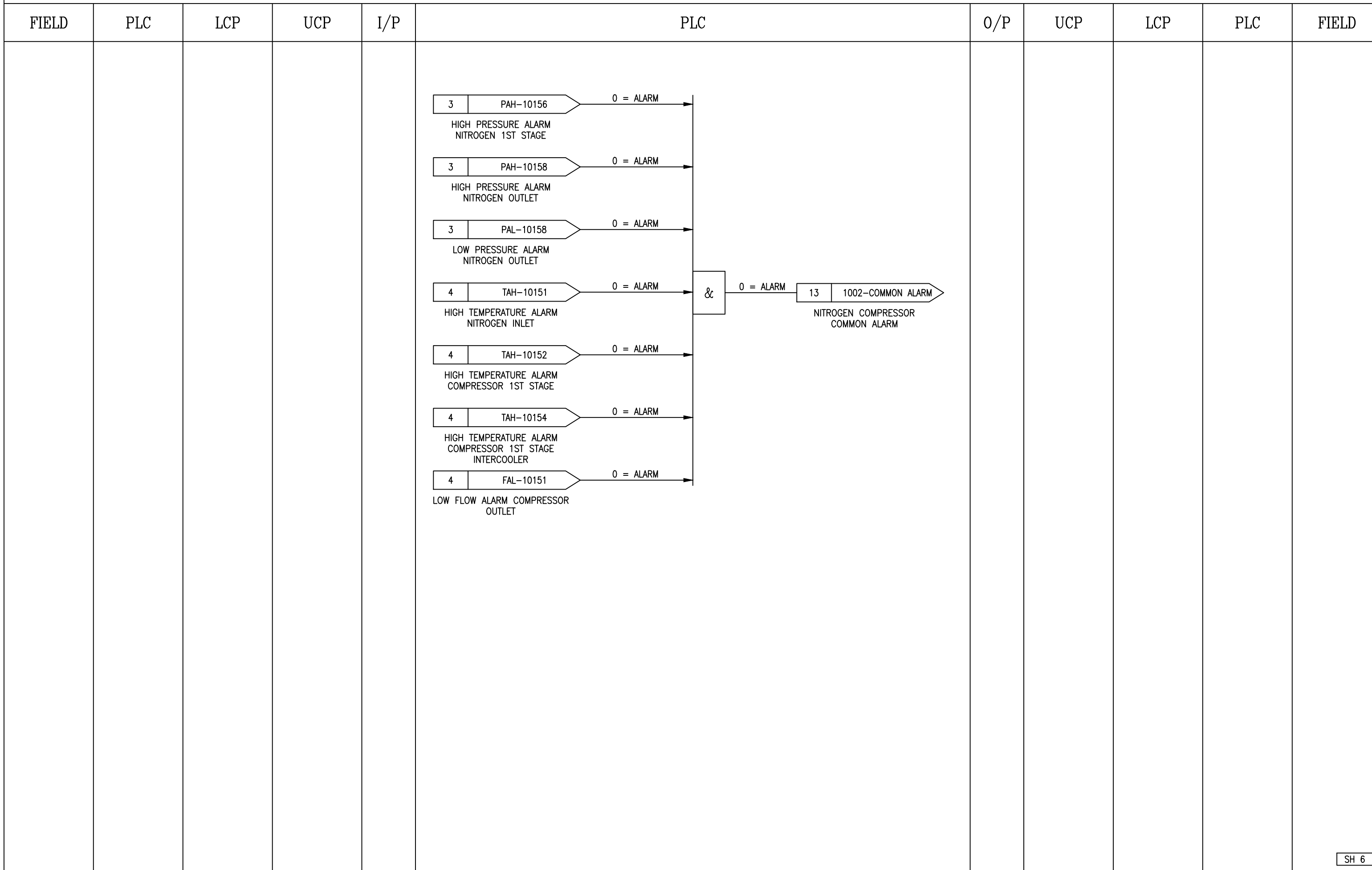


|             |                                      |   |           |
|-------------|--------------------------------------|---|-----------|
| SUBJECT     |                                      | BUSHEHR PETROCHEMICAL COMPANY<br>MEG PLANT<br>NITROGEN COMPRESSOR |           |
| CLIENT      | BUSHEHR PETROCHEMICAL COMPANY (BUPC) | PLANT LOCATION  | IRAN      |
| CLIENT REF  | 20-C-1002                            | DRAWING NO.   | 17811-32A |
| AIRPACK REF | 17811                                | SHEETNO.  | 05 / 14   |

|            |            |
|------------|------------|
| DATE       | 20-11-2020 |
| DRAWN BY   | TJ         |
| CHECKED BY | KP         |

|  |            |            |    |
|--|------------|------------|----|
| THIS DRAWING IS OWNED BY AIRPACK AND SHALL NOT BE PRINTED OR COPIED IN ANY OTHER WAY THAN WITH AIRPACKS PERMISSION | REV 06     | 14-07-2022 | RT |
|  | REV 05     | 04-07-2022 | RT |
|  | REV 04     | 16-05-2022 | WZ |
|  | REV 03     | 18-03-2022 | AS |
|  | REV 02     | 03-01-2022 | AS |
|  | REV 01     | 29-11-2021 | WZ |
| REV 00   | 20-11-2020 | TJ         |    |

LOGIC DIAGRAM

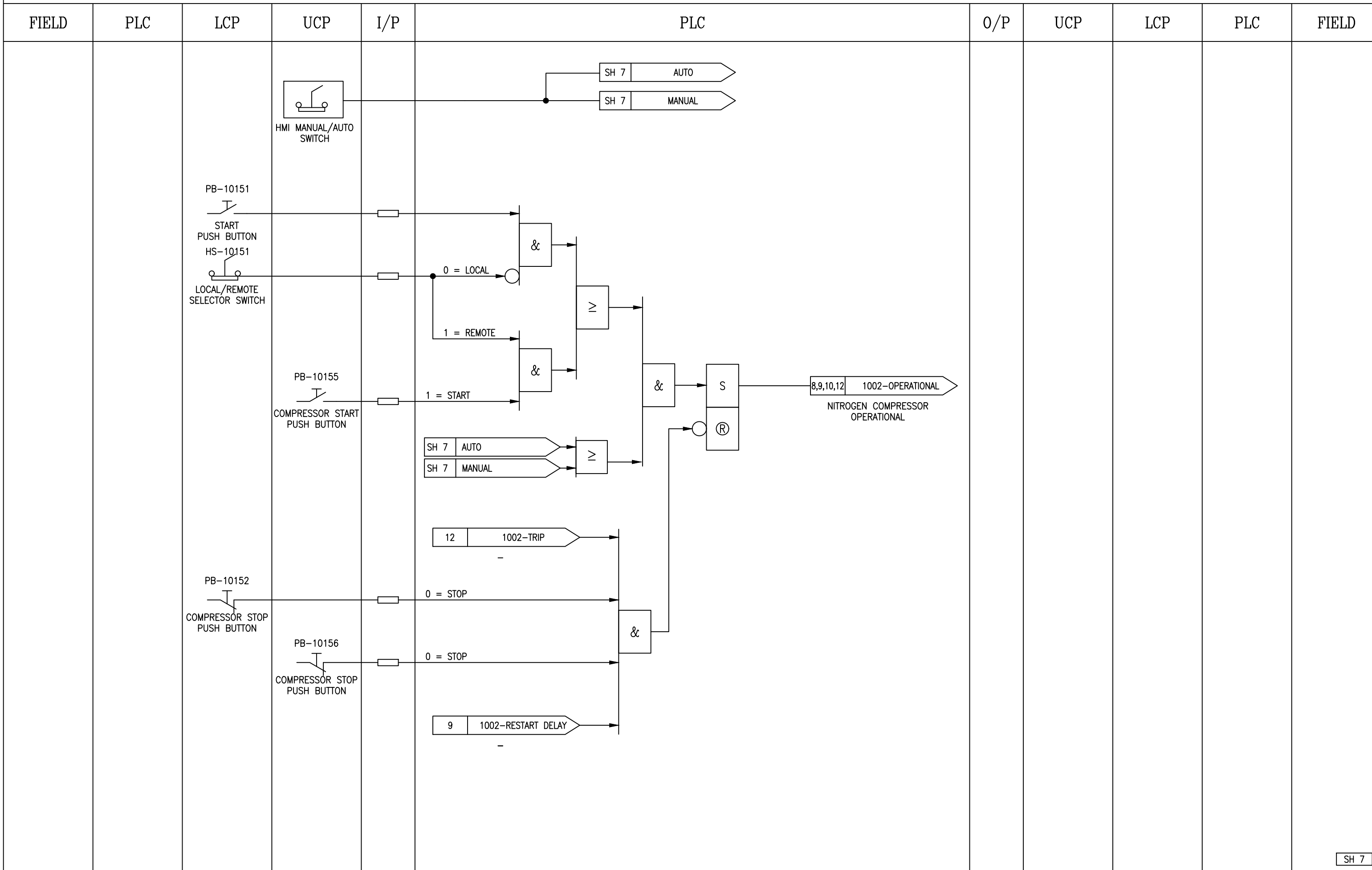


SH 6

NOTES:

|             |                                       |                                      |                |            |  |    |
|-------------|---------------------------------------|--------------------------------------|----------------|------------|--|----|
|             | SUBJECT BUSHEHR PETROCHEMICAL COMPANY |                                      | DATE           | 20-11-2020 | THIS DRAWING IS OWNED BY AIRPACK AND SHALL NOT BE PRINTED OR COPIED IN ANY OTHER WAY THAN WITH AIRPACKS PERMISSION |    |
|             | MEG PLANT                             |                                      | DRAWN BY       | TJ         |  |    |
|             | NITROGEN COMPRESSOR                   |                                      | CHECKED BY     | KP         |  |    |
|             | CLIENT                                | BUSHEHR PETROCHEMICAL COMPANY (BUPC) | PLANT LOCATION | IRAN       |  |    |
|             | CLIENT REF                            | 20-C-1002                            | DRAWING NO.    | 17811-32A  |  |    |
| AIRPACK REF | 17811                                 | SHEETNO.                             | 06 / 14        | REV 06     | 14-07-2022   | RT |
|             |                                       |                                      |                | REV 05     | 04-07-2022   | RT |
|             |                                       |                                      |                | REV 04     | 16-05-2022   | WZ |
|             |                                       |                                      |                | REV 03     | 18-03-2022   | AS |
|             |                                       |                                      |                | REV 02     | 03-01-2022   | AS |
|             |                                       |                                      |                | REV 01     | 29-11-2021   | WZ |
|             |                                       |                                      |                | REV 00     | 20-11-2020   | TJ |

LOGIC DIAGRAM



SH 7

NOTES:



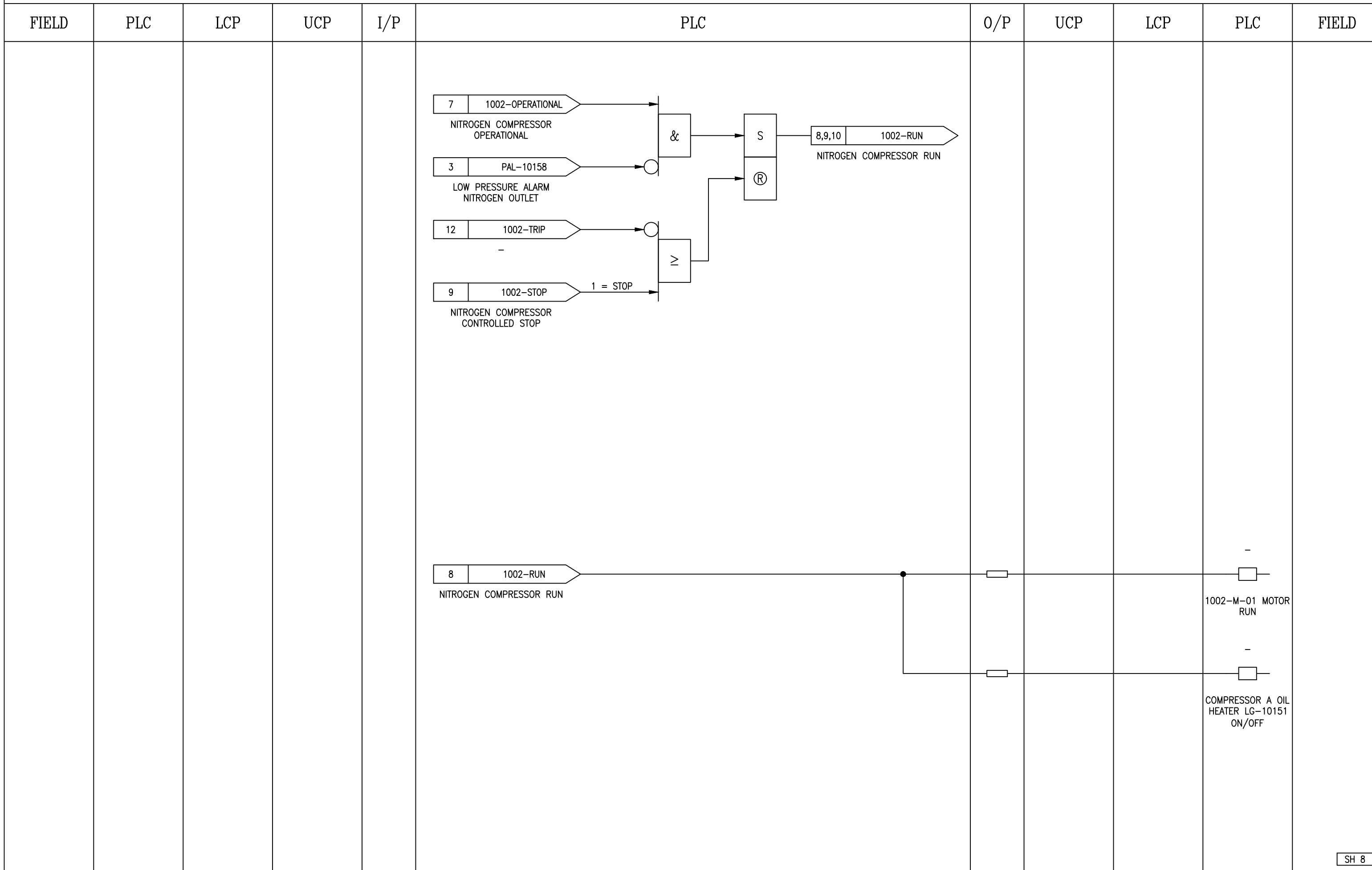
|             |                                      |   |           |
|-------------|--------------------------------------|---|-----------|
| SUBJECT     |                                      | BUSHEHR PETROCHEMICAL COMPANY<br>MEG PLANT<br>NITROGEN COMPRESSOR |           |
| CLIENT      | BUSHEHR PETROCHEMICAL COMPANY (BUPC) | PLANT LOCATION  | IRAN      |
| CLIENT REF  | 20-C-1002                            | DRAWING NO.   | 17811-32A |
| AIRPACK REF | 17811                                | SHEETNO.  | 07 / 14   |

|            |            |
|------------|------------|
| DATE       | 20-11-2020 |
| DRAWN BY   | TJ         |
| CHECKED BY | KP         |

THIS DRAWING IS OWNED BY AIRPACK AND SHALL NOT BE PRINTED OR COPIED IN ANY OTHER WAY THAN WITH AIRPACKS PERMISSION

|        |            |    |
|--------|------------|----|
| REV 06 | 14-07-2022 | RT |
| REV 05 | 04-07-2022 | RT |
| REV 04 | 16-05-2022 | WZ |
| REV 03 | 18-03-2022 | AS |
| REV 02 | 03-01-2022 | AS |
| REV 01 | 29-11-2021 | WZ |
| REV 00 | 20-11-2020 | TJ |

LOGIC DIAGRAM

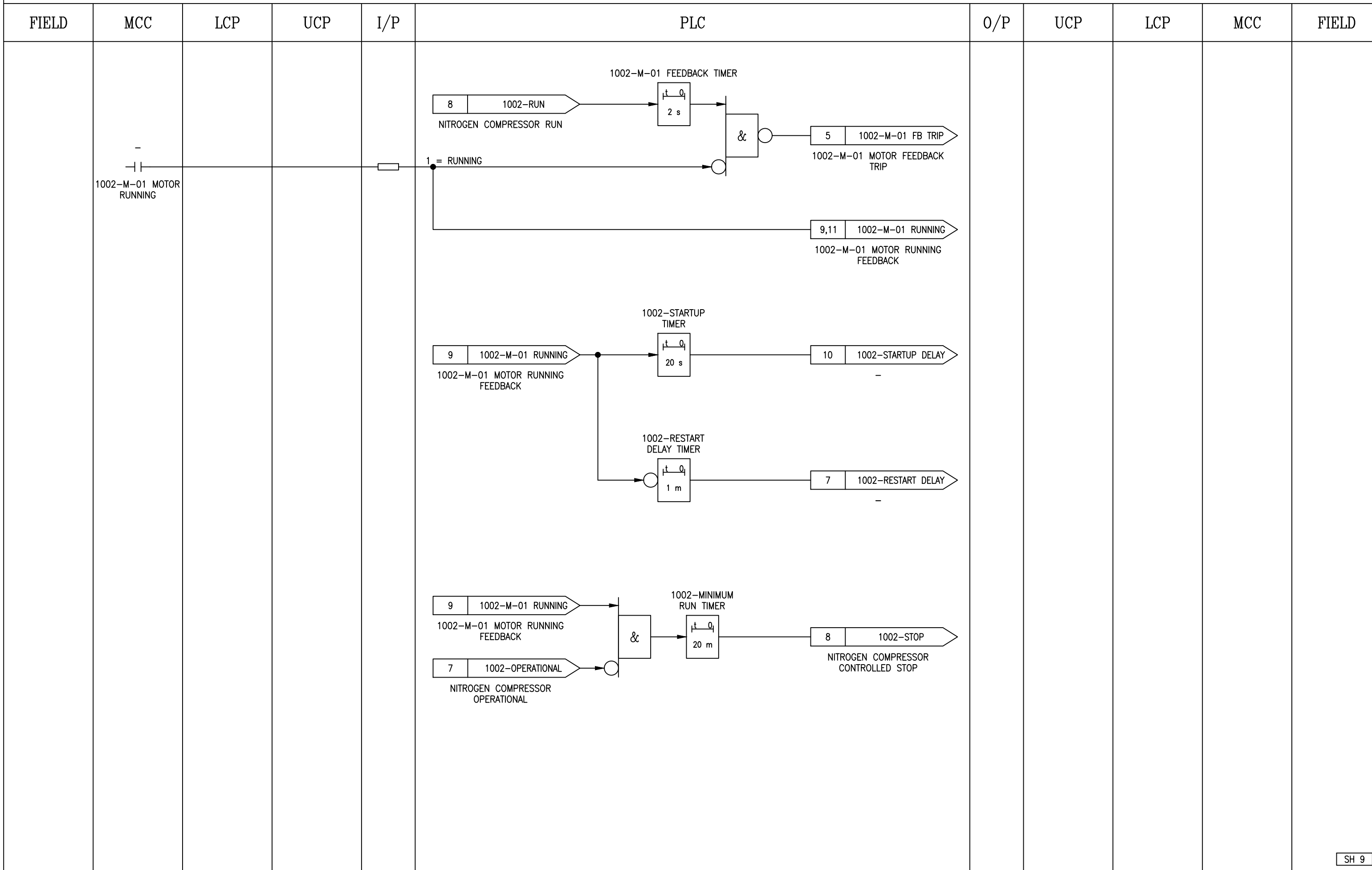


SH 8

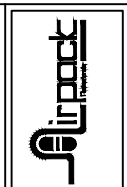
NOTES:

|  |   |                       |                 |  |                      |
|--|---|-----------------------|-----------------|--|----------------------|
|  | SUBJECT BUSHEHR PETROCHEMICAL COMPANY<br>MEG PLANT<br>NITROGEN COMPRESSOR |                       | DATE 20-11-2020 | THIS DRAWING IS OWNED BY AIRPACK AND SHALL NOT BE PRINTED OR COPIED IN ANY OTHER WAY THAN WITH AIRPACKS PERMISSION | REV 06 14-06-2022 RT |
|  | CLIENT BUSHEHR PETROCHEMICAL COMPANY (BUPC)                               | PLANT LOCATION IRAN   | DRAWN BY TJ     |  | REV 05 04-07-2022 RT |
|  | CLIENT REF 20-C-1002  | DRAWING NO. 17811-32A | CHECKED BY KP   |  | REV 04 16-05-2022 WZ |
|  | AIRPACK REF 17811   | SHEETNO. 08 / 14      |                 |  | REV 03 18-03-2022 AS |
|  |   |                       |                 |  | REV 02 03-01-2022 AS |
|  |   |                       |                 | REV 01 29-11-2021 WZ   |                      |
|  |   |                       |                 | REV 00 20-11-2020 TJ   |                      |

LOGIC DIAGRAM



NOTES:



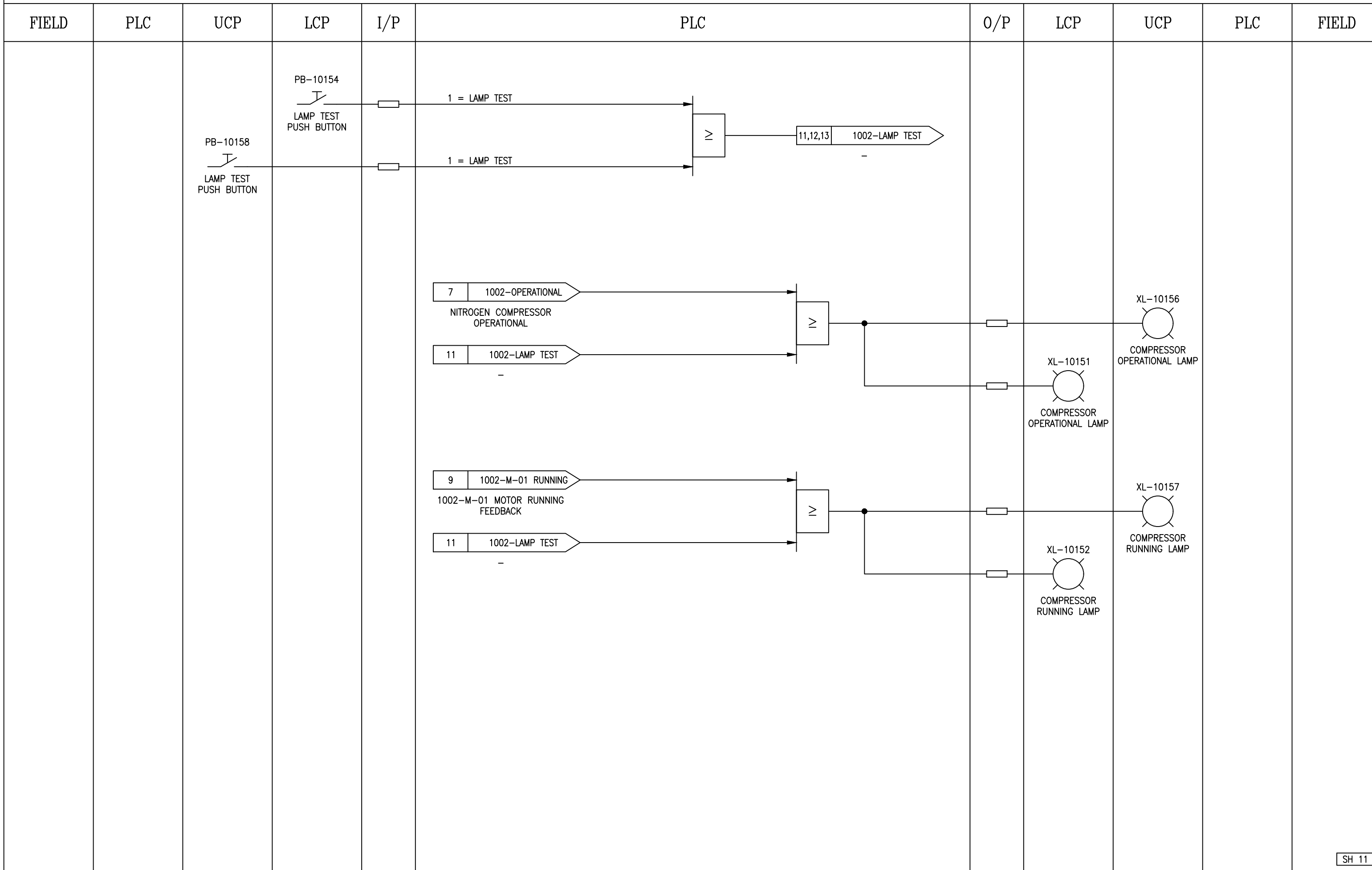
|             |                                      |   |           |
|-------------|--------------------------------------|---|-----------|
| SUBJECT     |                                      | BUSHEHR PETROCHEMICAL COMPANY<br>MEG PLANT<br>NITROGEN COMPRESSOR |           |
| CLIENT      | BUSHEHR PETROCHEMICAL COMPANY (BUPC) | PLANT LOCATION  | IRAN      |
| CLIENT REF  | 20-C-1002                            | DRAWING NO.   | 17811-32A |
| AIRPACK REF | 17811                                | SHEETNO.  | 09 / 14   |

|            |            |
|------------|------------|
| DATE       | 20-11-2020 |
| DRAWN BY   | TJ         |
| CHECKED BY | KP         |

|  |        |            |    |
|--|--------|------------|----|
| THIS DRAWING IS OWNED BY AIRPACK AND SHALL NOT BE PRINTED OR COPIED IN ANY OTHER WAY THAN WITH AIRPACKS PERMISSION | REV 06 | 14-07-2022 | RT |
|  | REV 05 | 04-07-2022 | RT |
|  | REV 04 | 16-05-2022 | WZ |
|  | REV 03 | 18-03-2022 | AS |
|  | REV 02 | 03-01-2022 | AS |
|  | REV 01 | 29-11-2021 | WZ |
|  | REV 00 | 20-11-2020 | TJ |



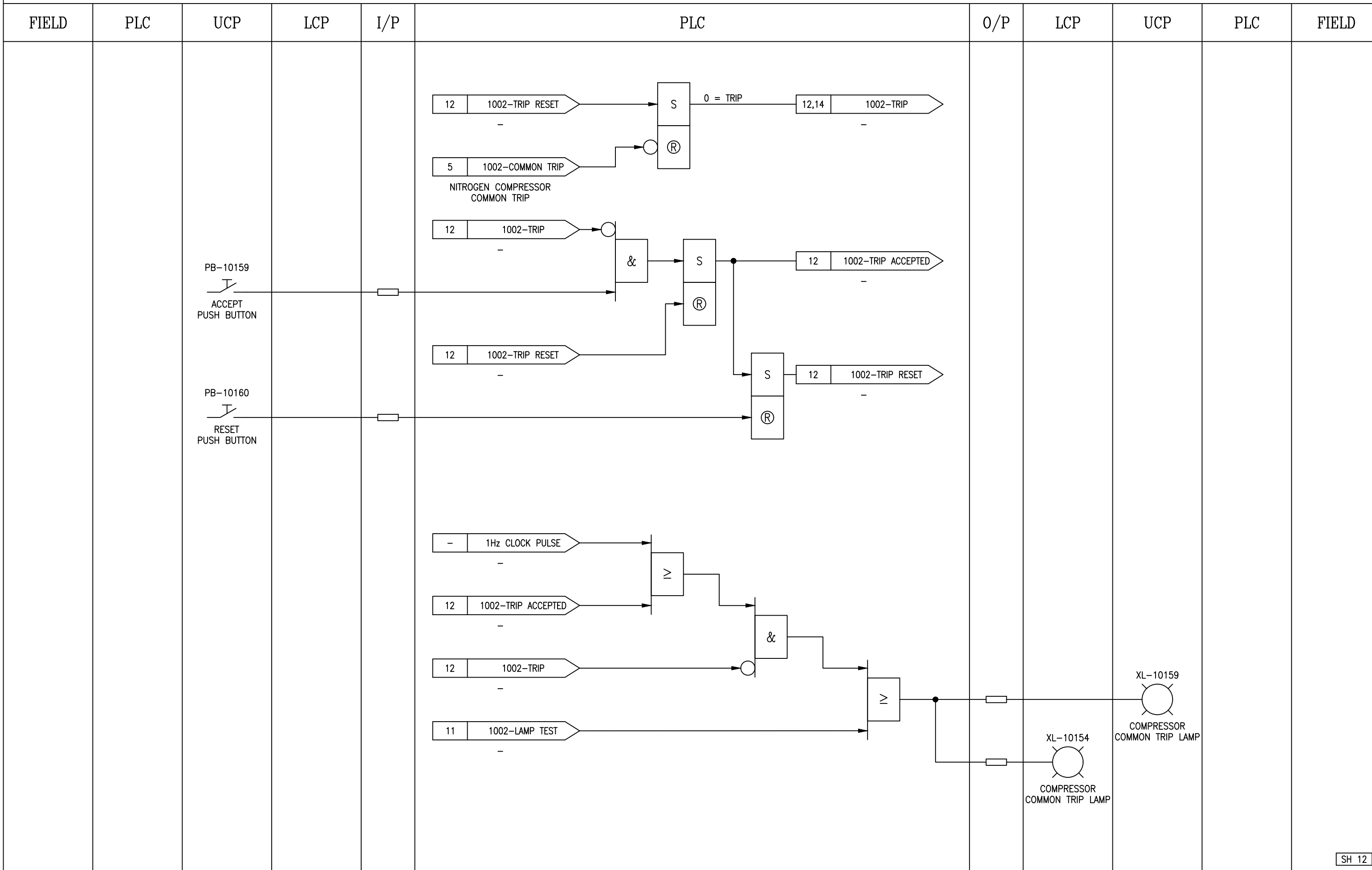
LOGIC DIAGRAM



NOTES:

|                   |   |                       |                      |  |                      |
|-------------------|---|-----------------------|----------------------|--|----------------------|
|                   | SUBJECT BUSHEHR PETROCHEMICAL COMPANY<br>MEG PLANT<br>NITROGEN COMPRESSOR |                       | DATE 20-11-2020      | THIS DRAWING IS OWNED BY AIRPACK AND SHALL NOT BE PRINTED OR COPIED IN ANY OTHER WAY THAN WITH AIRPACKS PERMISSION | REV 06 14-07-2022 RT |
|                   |   |                       | DRAWN BY TJ          |  | REV 05 04-07-2022 RT |
|                   |   |                       | CHECKED BY KP        |  | REV 04 16-05-2022 WZ |
|                   | CLIENT BUSHEHR PETROCHEMICAL COMPANY (BUPC)                               | PLANT LOCATION IRAN   | REV 03 18-03-2022 AS |  |                      |
|                   | CLIENT REF 20-C-1002  | DRAWING NO. 17811-32A | REV 02 03-01-2022 AS |  |                      |
| AIRPACK REF 17811 | SHEETNO. 11 /14   | REV 01 29-11-2021 WZ  | REV 00 20-11-2020 TJ |  |                      |

LOGIC DIAGRAM



SH 12

NOTES:

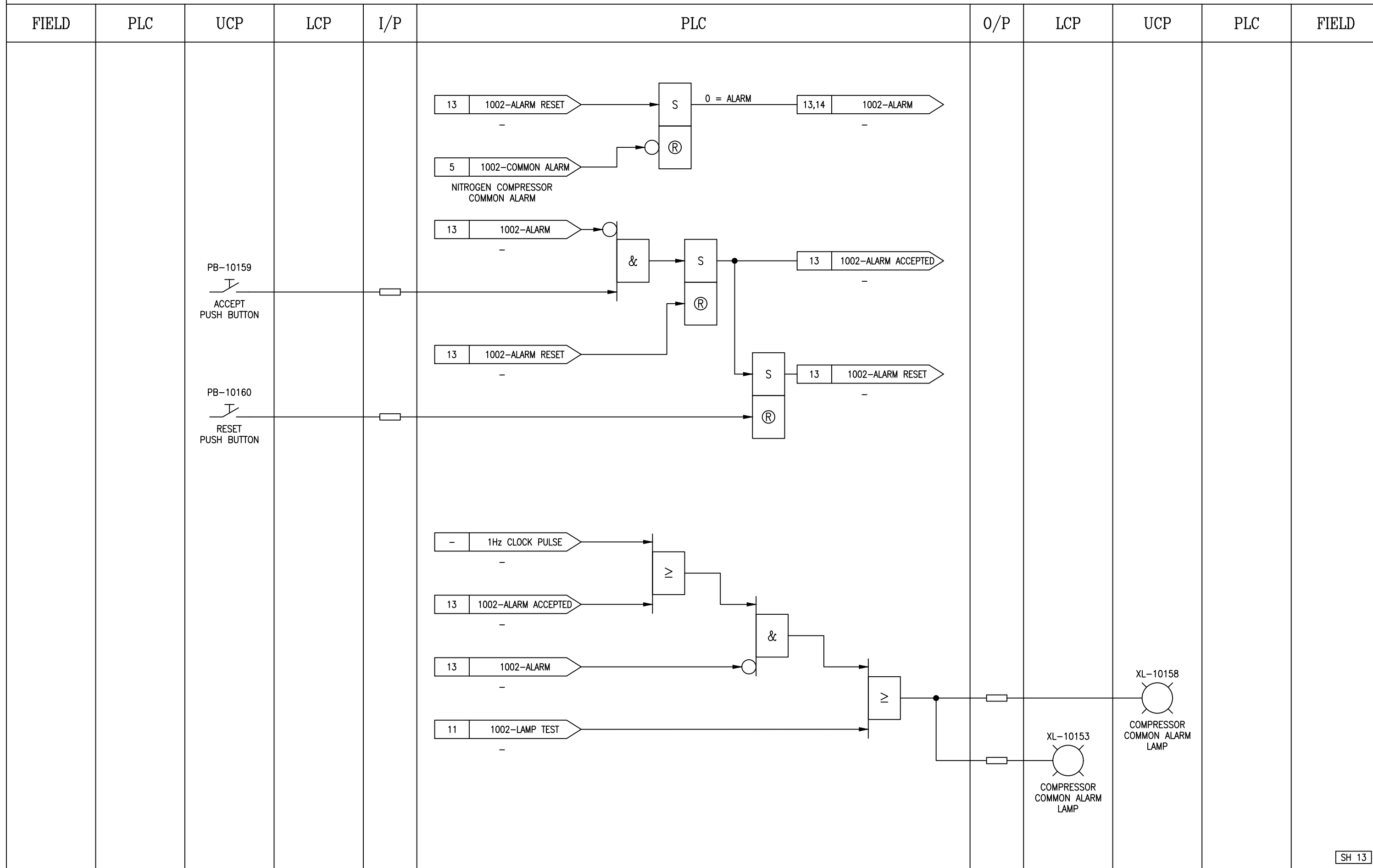


|             |                                      |   |           |
|-------------|--------------------------------------|---|-----------|
| SUBJECT     |                                      | BUSHEHR PETROCHEMICAL COMPANY<br>MEG PLANT<br>NITROGEN COMPRESSOR |           |
| CLIENT      | BUSHEHR PETROCHEMICAL COMPANY (BUPC) | PLANT LOCATION  | IRAN      |
| CLIENT REF  | 20-C-1002                            | DRAWING NO.   | 17811-32A |
| AIRPACK REF | 17811                                | SHEETNO.  | 12 / 14   |

|            |            |
|------------|------------|
| DATE       | 20-11-2020 |
| DRAWN BY   | TJ         |
| CHECKED BY | KP         |

|  |            |            |    |
|--|------------|------------|----|
| THIS DRAWING IS OWNED BY AIRPACK AND SHALL NOT BE PRINTED OR COPIED IN ANY OTHER WAY THAN WITH AIRPACKS PERMISSION | REV 06     | 14-07-2022 | RT |
|  | REV 05     | 04-07-2022 | RT |
|  | REV 04     | 16-05-2022 | WZ |
|  | REV 03     | 18-03-2022 | AS |
|  | REV 02     | 03-01-2022 | AS |
|  | REV 01     | 29-11-2021 | WZ |
| REV 00   | 20-11-2020 | TJ         |    |

LOGIC DIAGRAM

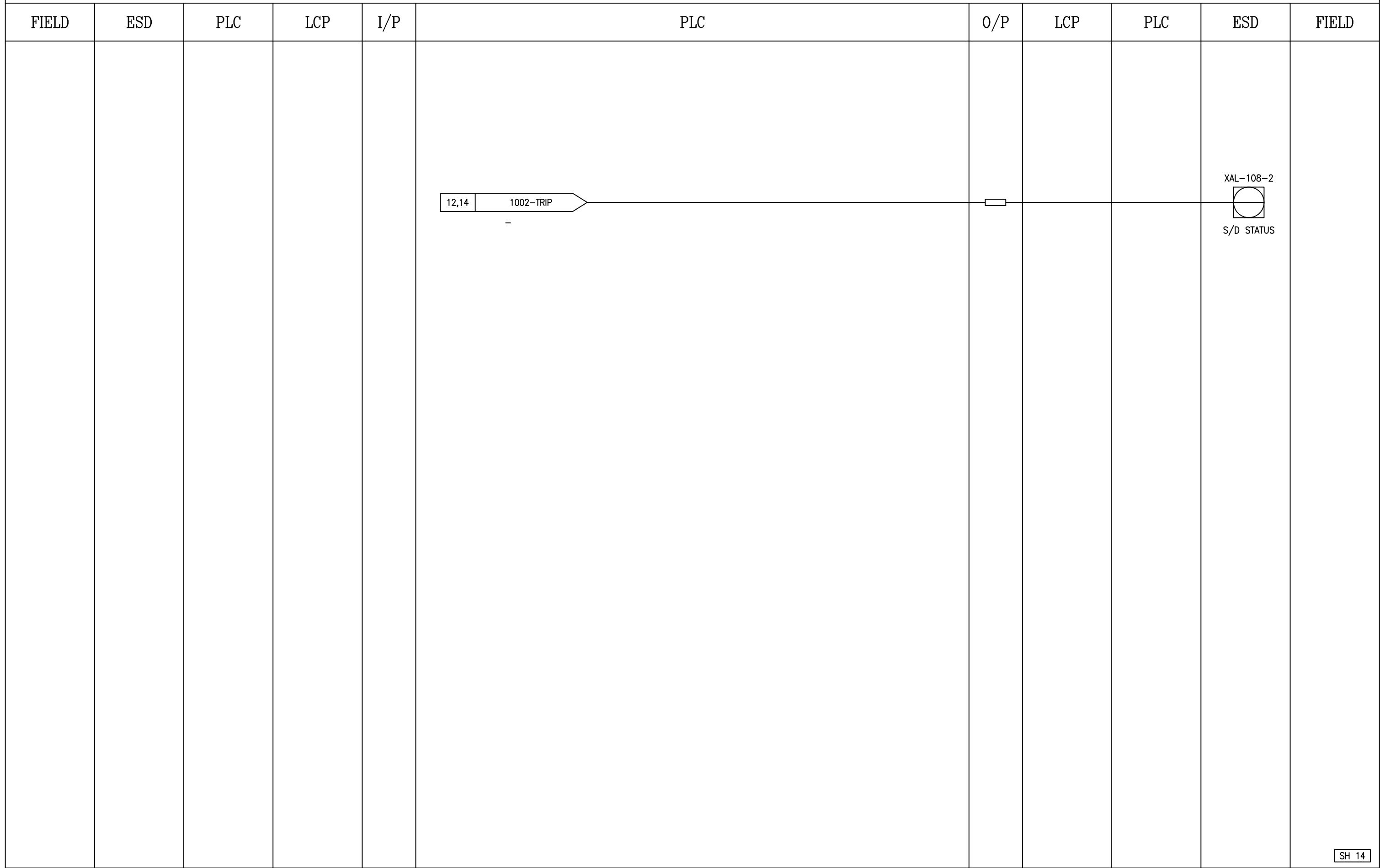


SH 13

NOTES:

|  |   |                      |                       |  |                      |
|--|---|----------------------|-----------------------|--|----------------------|
|  | SUBJECT BUSHEHR PETROCHEMICAL COMPANY<br>MEG PLANT<br>NITROGEN COMPRESSOR |                      | DATE 20-11-2020       | THIS DRAWING IS OWNED BY AIRPACK AND SHALL NOT BE PRINTED OR COPIED IN ANY OTHER WAY THAN WITH AIRPACKS PERMISSION | REV 06 14-07-2022 RT |
|  | CLIENT BUSHEHR PETROCHEMICAL COMPANY (BUPC)                               | CLIENT REF 20-C-1002 | AIRPACK REF 17811     |  | DRAWN BY TJ          |
|  |   |                      | CHECKED BY KP         |  | REV 04 16-05-2022 WZ |
|  |   |                      | PLANT LOCATION IRAN   |  | REV 03 18-03-2022 AS |
|  |   |                      | DRAWING NO. 17811-32A |  | REV 02 03-01-2022 AS |
|  |   |                      | SHEETNO. 13 / 14      |  | REV 01 29-11-2021 WZ |
|  |   |                      |                       |  | REV 00 20-11-2020 TJ |

LOGIC DIAGRAM



SH 14

NOTES:



|             |                                      |   |           |
|-------------|--------------------------------------|---|-----------|
| SUBJECT     |                                      | BUSHEHR PETROCHEMICAL COMPANY<br>MEG PLANT<br>NITROGEN COMPRESSOR |           |
| CLIENT      | BUSHEHR PETROCHEMICAL COMPANY (BUPC) | PLANT LOCATION  | IRAN      |
| CLIENT REF  | 20-C-1002                            | DRAWING NO.   | 17811-32A |
| AIRPACK REF | 17811                                | SHEETNO.  | 14 /14    |

|            |            |
|------------|------------|
| DATE       | 20-11-2020 |
| DRAWN BY   | TJ         |
| CHECKED BY | KP         |

THIS DRAWING IS OWNED BY AIRPACK AND SHALL NOT BE PRINTED OR COPIED IN ANY OTHER WAY THAN WITH AIRPACKS PERMISSION

|        |            |    |
|--------|------------|----|
| REV 06 | 14-07-2022 | RT |
| REV 05 | 04-07-2022 | RT |
| REV 04 | 16-05-2022 | WZ |
| REV 03 | 18-03-2022 | AS |
| REV 02 | 03-01-2022 | AS |
| REV 01 | 29-11-2021 | WZ |
| REV 00 | 20-11-2020 | TJ |