









OWNER:  شرکت ست و پتو آند ایرانیان (سهامی خاص)	<b>BUSHEHR PETROCHEMICAL COMPANY MEG PLANT</b>						EPC CONTRACTOR:  Chagalesh-Enerchimi-Steam Joint Venture BUPC-MEG PLANT PROJECT		
	<b>UCP/LCP/JB GENERAL ARRANGEMENT DRAWING &amp; TERMINAL DETAILS FOR EMERGENCY INSTRUMENT AIR COMPRESSOR INCL. BOM</b>						 Netherlands		
MC :  شرکت ست و پتو آند ایرانیان (سهامی خاص)	Project	Area	Phase	Unit	Dis.	Doc.	Seq.	Contract No: 52-98/445	
Owner Document Number: 17811-07B	BU	20	VD	303	IN	DWG	0089	Rev.:	Page
								03	1 of 8

## UCP/LCP/JB GENERAL ARRANGEMENT DRAWING & TERMINAL DETAILS FOR EMERGENCY INSTRUMENT AIR COMPRESSOR INCL. BOM

03	08/08/2022	For approval	BK	RB	KP	
<del>03</del>	<del>16/06/2022</del>	<del>For approval</del>	<del>BK</del>	<del>RB</del>	<del>KP</del>	
02	14/12/2021	For approval	HT	RB	KP	
01	19/10/2021	For approval	HT	RB	KP	
00	24/11/2020	For approval	HT	RB	KP	
<b>Rev.</b>	<b>Date</b>	<b>Purpose of Issue</b>	<b>Prepared</b>	<b>Checked</b>	<b>Approved</b>	<b>AC Code</b>
					<b>Class: 1</b>	<b>Phase: P</b>

<b>OWNER:</b>  شرکت ست و سدی توسه ایرانیاان (سامی ناس)	<b>BUSHEHR PETROCHEMICAL COMPANY MEG PLANT</b>						<b>EPC CONTRACTOR</b>  Chagalesh-Enerchimi-Steam Joint Venture BUPC-MEG PLANT PROJECT		
	<b>UCP/LCP/JB GENERAL ARRANGEMENT DRAWING &amp; TERMINAL DETAILS FOR EMERGENCY INSTRUMENT AIR COMPRESSOR INCL. BOM</b>						 Netherlands		
<b>MC :</b>  شرکت ست و سدی توسه ایرانیاان (سامی ناس)	Project	Area	Phase	Unit	Dis.	Doc.	Seq.	Contract No: 52-98/445	
<b>Owner Document Number:</b> 17811-07B	BU	20	VD	303	IN	DWG	0089	Rev.:	Page
								03	2 of 8

**TABULATION OF REVISED PAGES**

Page	D00	D01	D02	D03	D04
1.	X	X	X	X	<del>X</del>
2.	X	X	X	X	<del>X</del>
3.	X	X	X	X	<del>X</del>
4.	X	X	X	X	<del>X</del>
5.	X	X	X	X	<del>X</del>
6.	X	X	X	X	<del>X</del>
7.	X	X	X	X	<del>X</del>
8.	X	X	X	X	<del>X</del>
9.	X				
10.	X				
11.	X				
12.	X				
13.	X				
14.					
15.					
16.					
17.					
18.					
19.					
20.					
21.					
22.					
23.					
24.					
25.					
26.					
27.					
28.					
29.					
30.					
31.					
32.					
33.					
34.					

Page	D00	D01	D02	D03	D04
35.					
36.					
37.					
38.					
39.					
40.					
41.					
42.					
43.					
44.					
45.					
46.					
47.					
48.					
49.					
50.					
51.					
52.					
53.					
54.					
55.					
56.					
57.					
58.					
59.					
60.					
61.					
62.					
63.					
64.					
65.					
66.					
67.					

Nr	Description	Tagnumber	Make	Qty	Modelnumbers
1.	Panel power on lamp (white)	2H19	Schneider	1	XB4BVB1
2.	Display	8A9	Siemens	1	6AV2124-0GC01-0AX0
3.	Hourmeter	25U12	Bauser	1	629.1
4.	Operational lamp (green)	25H4	Schneider	1	XB4BVB3
5.	Running lamp (green)	25H6	Schneider	1	XB4BVB3
6.	Common alarm lamp (amber)	25H8	Schneider	1	XB4BVB5
7.	Common trip lamp (red)	25H10	Schneider	1	XB4BVB4
8.	Start pushbutton (green)	11S4	Schneider	1	XB4BA31
9.	Stop pushbutton (red)	11S6	Schneider	1	XB4BA42
10.	Accept pushbutton (black)	11S10	Schneider	1	XB4BA21
11.	Reset pushbutton (black)	11S12	Schneider	1	XB4BA21
12.	Lamp test pushbutton (black)	11S8	Schneider	1	XB4BA21
13.	ESD button	3S6	Schneider	1	(XB4BS8444 + ZBZ1605)
14.	Maintenance switch	2S2, 2S4, 2S6	Schneider	3	VBF01
15.	Panel fan + outlet filter	2M14	Rittal	1	SK3239.124
16.	PLC power supply	5M2, 5M11	Siemens	2	6ES7405-0KR02-0AA0
17.	CPU	5M3, 5M12	Siemens	2	6ES7414-5HM06-0AB0
18.	CP443-1 Communication module	5M5, 5M14	Siemens	2	6GK7443-1EX30-0XE0
19.	Panel light	2H10	Rittal	1	SZ25000.209/400/470
20.	Ethernet switch	5M18	Siemens	1	6GK7277-1AA10-0AA0
21.	IM153-2 HF Profibus DP module	6M2, 6M4, 7M1, 7M3	Siemens	4	6ES7153-2BA10-0XBA
22.	24 Digital input module	6M7, 6M9, 7M7, 7M9	Siemens	4	6ES7326-1BK02-0AB0
23.	6 Analog input module	6M10, 6M12, 6M14, 7M10, 7M12, 7M14	Siemens	6	6ES7336-4GE00-0AB0
24.	10 Digital output module	6M15, 6M16, 6M18, 6M19, 7M15, 7M16, 7M18, 7M19	Siemens	8	6ES7326-2BF10-0AB0
25.	Interface relay	24K4/6, 27K8, 28K3/5/8/10, 30K4/6/10, 56K4/6/8/10/13/15/17, 57K8/10/12, 58K9/12/13/17	Phoenix contact	24	2966171
26.	ESD relay	3ESDR8, 3ESDR8	Pilz	2	2967060
27.	Miniature circuit breaker 1P+N 110VAC / 230VAC	2F9, 2F11, 2F15, 2F17	Schneider	4	A9P54 (606/ 602/ 610/ 610)
28.	Thermostat	2TH11, 2TH14	Rittal	2	SK3110000
29.	Panel power supply	2V15, 2V17	Phoenix contact	2	2866778
30.	Miniature circuit breaker 1P	215.1, 2F17.1	Schneider	2	A6N61512
31.	Loop splitter	9U4/5/6/6.1/7/8/9/10/11/12	Pepperl+Fuchs	17	KFD2-5TL5-EX1.20
32.	Panel heater	2U13	Rittal	1	SZ2506.120
33.	Miniature circuit breaker 1P+N 24VDC	5F2, 5F11	Schneider	2	A9N61526
34.	Diode	9V4, 9V4.1, 24V4/6, 25V4/6/8/10/12, 26V4/6/8/10/12, 27V4/6/8, 28V4/6/8/10/12, 30V4/6/10 47V4/6, 48V4/6/8/10/12, 49V4/6/8/10/12, 50V4/6/8, 51V4/6/8/10/12, 53V4/6/10	Phoenix contact	48	3064137
35.	PID controller	34U2	Pepperl+Fuchs	1	(E5CC-CX3D5M-0050I+492F-52)
36.	Quint diode	2G15	Phoenix contact	1	2907719

GENERAL NOTES	
1. Tag numbers correspond with electrical diagram	
2. All the parts that are on the list in the panel layout will be included in the IOM.	
REFERENCE DRAWINGS	DWG.No.
xxxxxxx	xxxxxxx

Nr	Description	Tagnumber	Make	Qty	Modelnumbers
X0	Terminal strip	X0...	Weidmuller	9	WBU4
X1	Terminal strip	X1...	Weidmuller	10	WBU4
X2	Terminal strip	X2...	Weidmuller	40	WBU4
X3	Terminal strip	X3...	Weidmuller	8	WBU4
X4	Terminal strip	X4...	Weidmuller	16	WBU4
X5	Terminal strip	X5...	Weidmuller	26	WBU4
X8	Terminal strip	X8...	Weidmuller	20	WBU4
X9	Terminal strip	X9...	Weidmuller	9	WBU4
X10	Terminal strip	X10...	Weidmuller	4	WBU4
X11	Terminal strip	X11...	Weidmuller	4	WBU4

03	04/08/22	For approval	BK	RB	RB	-
02	14/06/20	For approval	BK	RB	RB	-
02	14/12/21	For approval	HT	RB	RB	-
01	19/10/21	For approval	HT	RB	RB	-
00	24/11/20	For approval	HT	RB	RB	-
REV.	DATE	PURPOSE OF ISSUE (P.O.I.)	PREP.	CHKD.	APPR.	AC.

OWNER:

CONTRACTOR:

PROJECT: BUSHEHR PETROCHEMICAL COMPANY  
MEG PLANT

DRAWING TITLE: 17811-07B

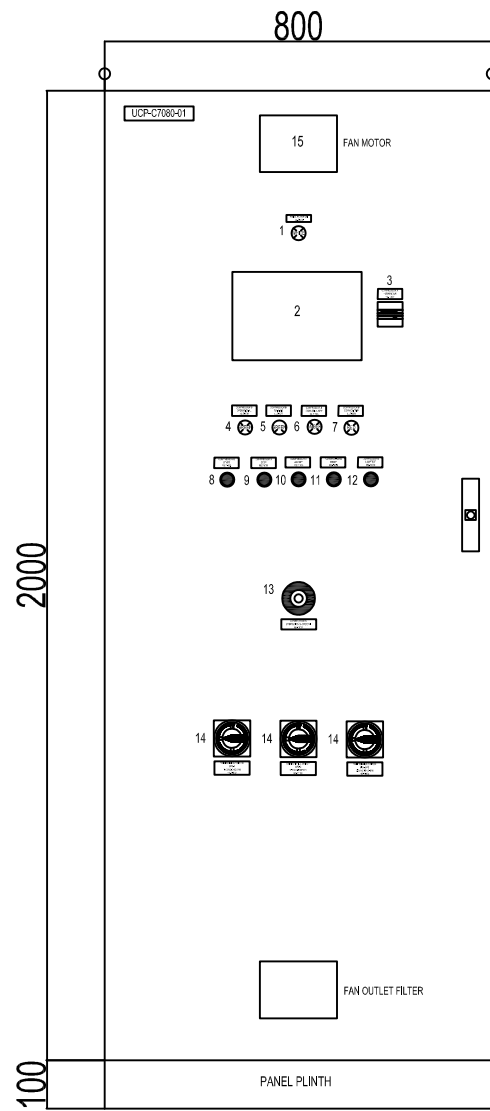
CONTRACT NO. 52-98/445 SCALE XX SIZE A0 CLASS 1 PHASE P

DOCUMENT NO. PROJECT AREA PHASE MRO No. DIS. DOC. SEQ. SHEET REV. NO.

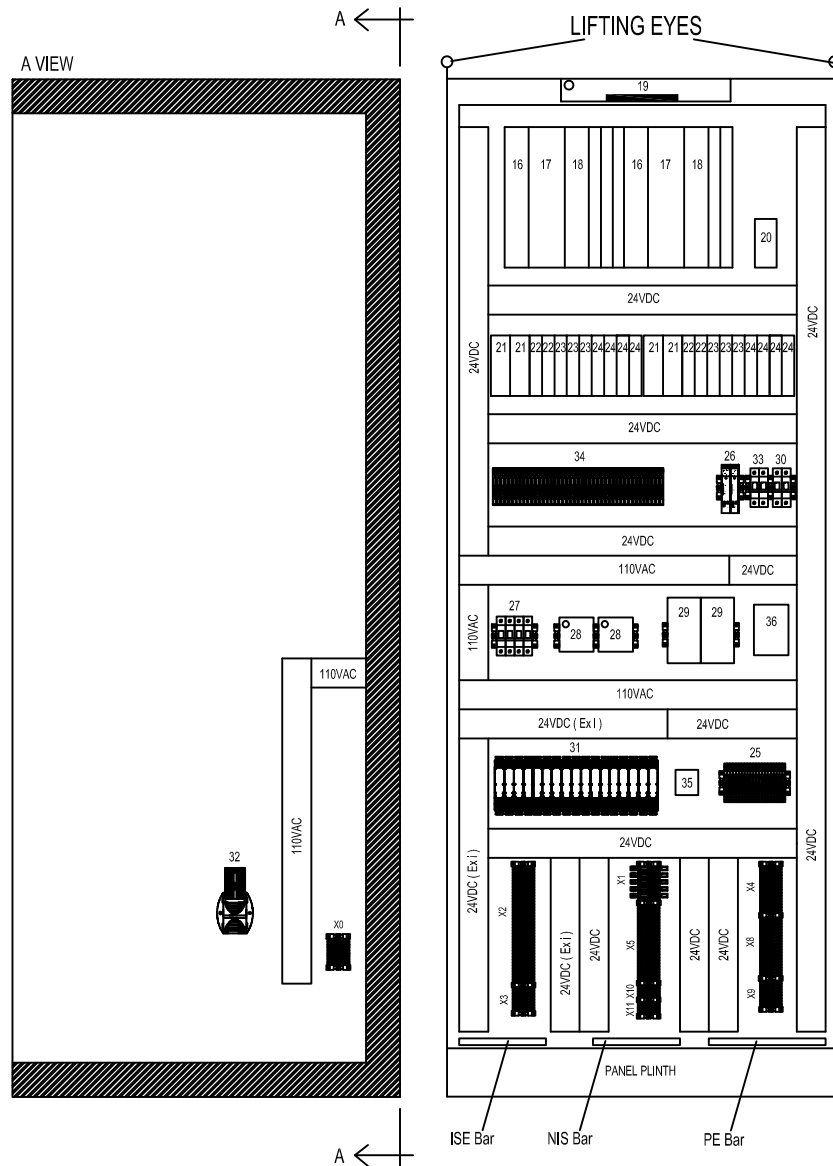
OWNER DOC. NO.: BU-20-30-30-000-000 BU-20-VD-303-IN-DWG-0089 1 OF 6

UCP-C7080-01

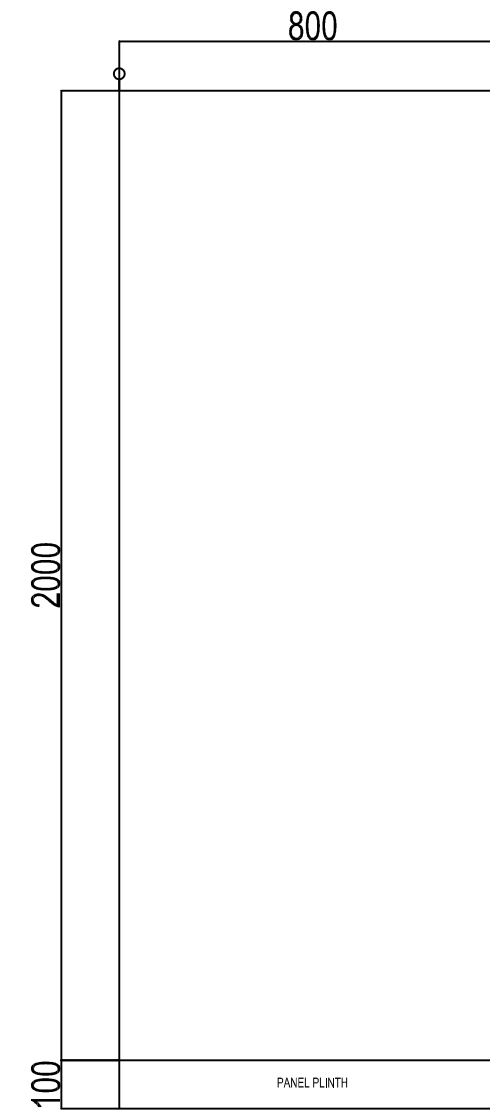
FRONT SIDE (OUTSIDE) VIEW



FRONT SIDE (INSIDE) VIEW



SIDE (OUTSIDE) VIEW

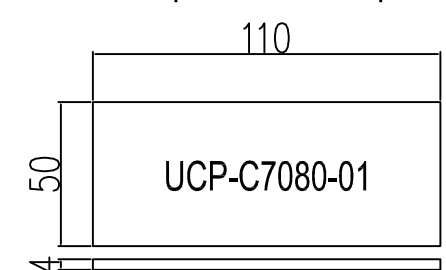


GENERAL NOTES

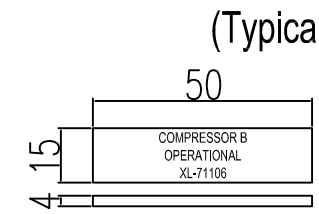
1. Panel material: Painted sheet steel (RAL7035)
2. Ingress protection: IP-42
3. Panel dimensions: 2100x800x800 mm
4. Area classification: Safe area
5. Drawing pocket will be included: (A3 format)
6. The model numbers are not official yet, it depends on what the market does. It is possible that it will still change over time.

REFERENCE DRAWNGS	DWG.No.
XXXXXXXX	XXXXXXXX

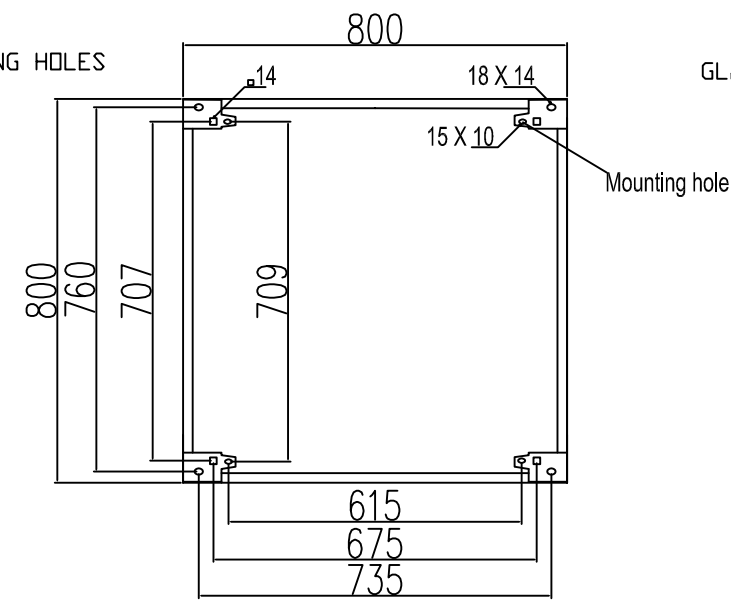
Nameplate for UCP panel



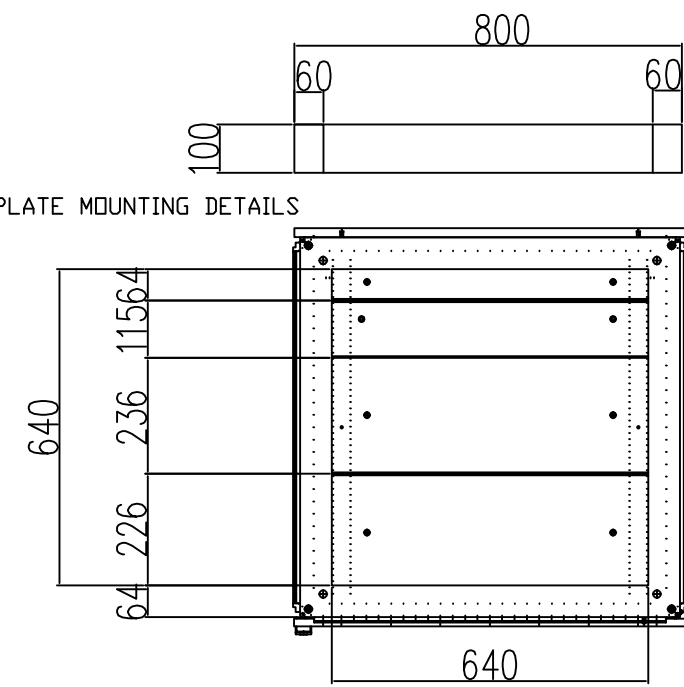
Nameplate for components on panel door (Typical)



PLINTH FIXING HOLES



GLAND PLATE MOUNTING DETAILS



REV.	DATE	PURPOSE OF ISSUE (P.O.I.)	PREP.	CHKD.	APPR.	AC.
03	04/06/22	For approval	BK	RB	RB	-
02	14/06/20	For approval	BK	RB	RB	-
02	14/12/21	For approval	HT	RB	RB	-
01	18/10/21	For approval	HT	RB	RB	-
00	24/11/20	For approval	HT	RB	RB	-

OWNER:

MC:

CONTRACTOR:

PROJECT: BUSHEHR PETROCHEMICAL COMPANY MEG PLANT

DRAWING TITLE: 17811-07B

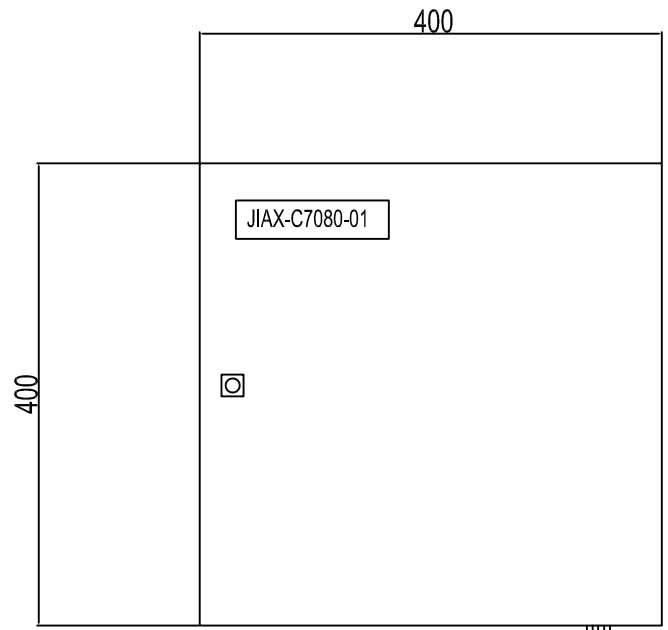
UCP/APP/08 GENERAL ARRANGMENT DRAWING & TERMINAL DETAILS FOR EMERGENCY INSTRUMENT AIR COMPRESSOR

CONTRACT NO.	SCALE	SIZE	CLASS	PHASE					
52-98/445	XX	A0	1	P					
DOCUMENT NO.	PROJECT	AREA	PHASE	MIRQ No.	DIS.	DOC.	SEQ.	SHEET	REV. NO.
BU-20-VD-303-IN-DWG-0089	BU-20-VD-303-IN	VD	303-IN	DWG	0089			2 OF 6	03



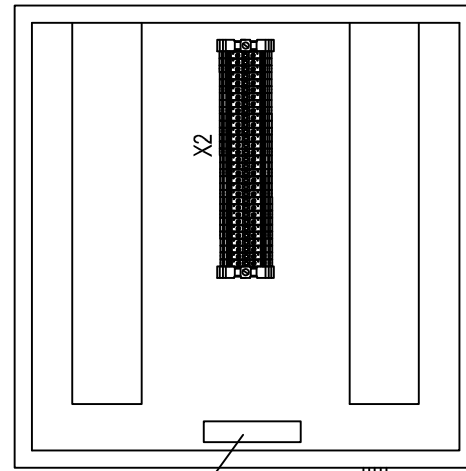
JIAX-C7080-01

FRONT SIDE (OUTSIDE) VIEW



EARTHING BOSS M10

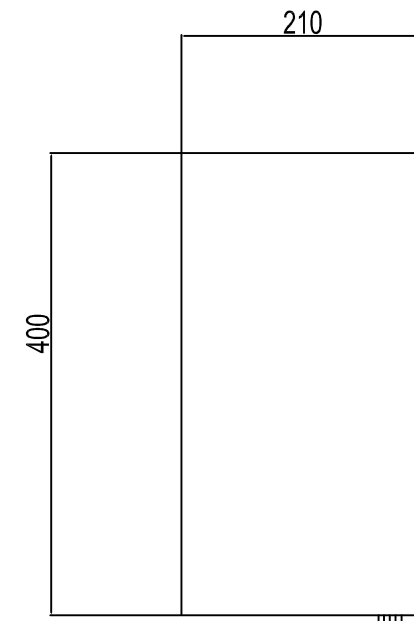
FRONT SIDE (INSIDE) VIEW



ISE Bar

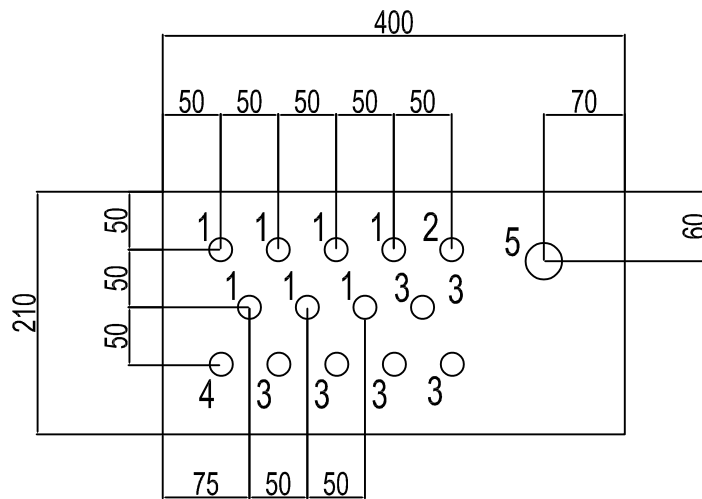
EARTHING BOSS M10

SIDE (OUTSIDE) VIEW



EARTHING BOSS M10

BOTTOM VIEW



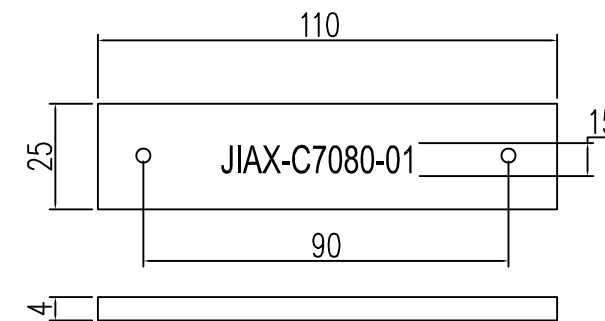
GLAND ENTRY DETAILS

- M20: 1x (Breather)
- M20: 13x
- M32: 1x

- 1 = Transmitter cable - M20
- 2 = PCV cable - M20
- 3 = Spare plug - M20
- 4 = Breather / Drain - M20
- 5 = Transmitter/PCV multipair cable - M32

Terminal strip: X2  
Make: Weidmuller  
Qty: 31

Nameplate for junction box  
Material: ABS  
Black letters on white background



GENERAL NOTES

1. Panel material: SS316
2. Ingress protection: IP-65
3. Panel dimensions: 400x400x210 mm
4. Area classification: Eex 'i' (RAL 5015) Blue
5. All spare holes are plugged with certified plugs

REFERENCE DRAWINGS	DWG.No.
XXXXXXXX	XXXXXXXX

REV.	DATE	PURPOSE OF ISSUE (P.O.I.)	PREP.	CHKD.	APPR.	AC.
03	04/08/22	For approval	HT	BK	RB	-
02	14/12/21	For approval	HT	RB	RB	-
01	19/10/21	For approval	HT	RB	RB	-
00	24/11/20	For approval	HT	RB	RB	-

OWNER:

MC:

CONTRACTOR:

PROJECT: BUSHEHR PETROCHEMICAL COMPANY MEG PLANT

DRAWING TITLE: 17811-07B

USP/ISP/IS GENERAL ARRANGEMENT DRAWING & TERMINAL DETAILS FOR EMERGENCY INSTRUMENT AIR COMPRESSOR

CONTRACT NO.	SCALE	SIZE	CLASS	PHASE
52-88/445	XX	A0	1	P

DOCUMENT NO.	PROJECT	AREA	PHASE	MRQ No.	DIS.	DOC.	SEQ.	SHEET NO.	REV. NO.
BU-20-VD-303-IN-009	BU-20-VD-303-IN	DWG-0089	4 OF 6	03					



