



ASPC Project



| | |
|------------------------------|--|
| END CUSTOMER | : Arya Sasol Polymer Company |
| CONTRACTOR | : DYPNF Co., Ltd. |
| VENDOR NAME | : Airpack Netherlands BV |
| EQUIPMENT DESCRIPTION | : Screw Compressor & Roots Blower : Package |
| PURCHASE ORDER NUMBER | : PO-PC2312-08 |

Customer Number Document :

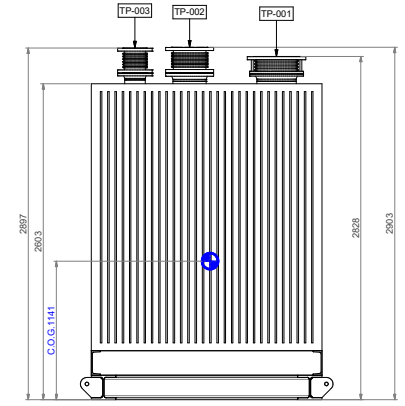
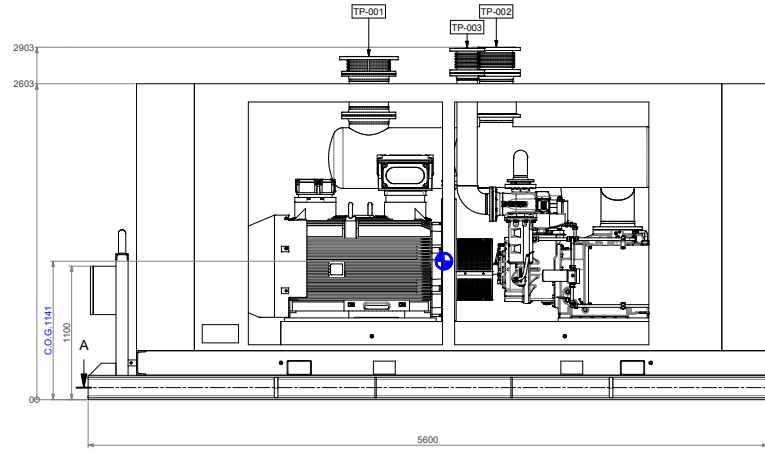
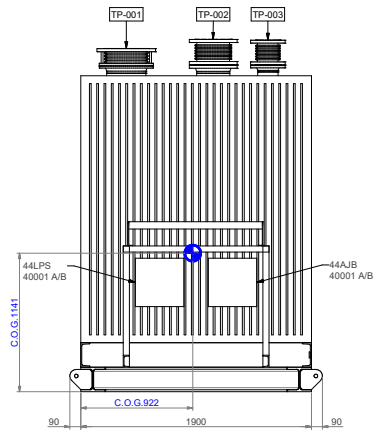
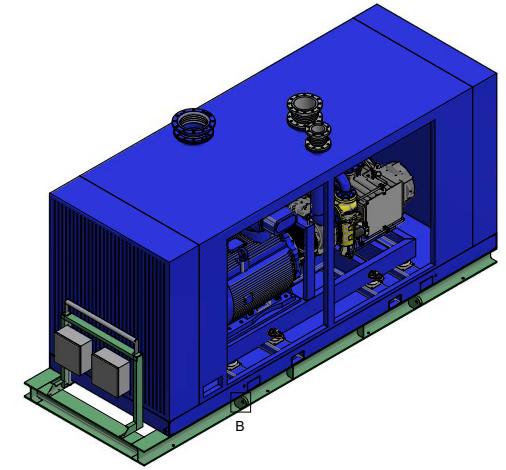
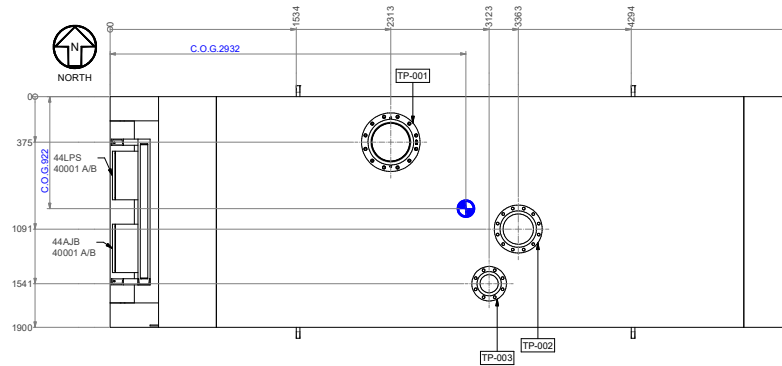
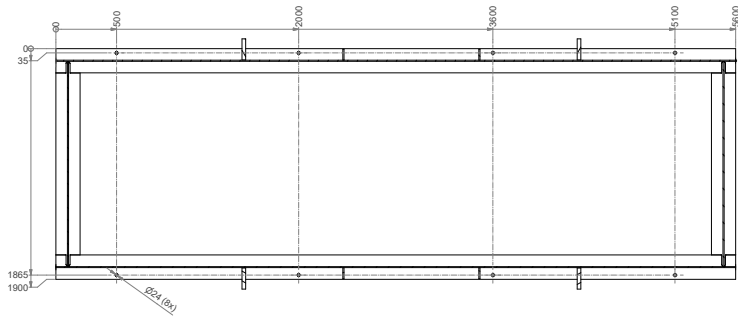
Airpack Document Number : 23383-04A

Document Title : General Arrangement Drawing 44C-40001A/B

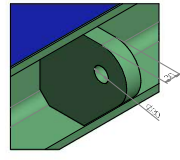
| Review Code and Status | | Contractor Initials/Signature | Date signed |
|--------------------------|--|----------------------------------|----------------|
| <input type="checkbox"/> | Code 1 REJECTED - Vendor to revise and Resubmit. Work cannot proceed | | |
| <input type="checkbox"/> | Code 2 Comments As Noted - Work May proceed, subject to compliance with and incorporation of comments | | |
| <input type="checkbox"/> | Code 3 No Comments - Work may proceed. | | |
| <input type="checkbox"/> | Code 4 Information only - Review not required. | | |

| | | | | | |
|----------|---------------------|------------|-------------|------------|-------------|
| | | | | | |
| | | | | | |
| | | | | | |
| 00 | Issued for Approval | 08-04-2025 | MD | SC | JJ |
| Rev. No. | Description | Date | Prepared by | Checked by | Approved by |

A-A (1 : 22)
section view of foundation holes



B (1 : 4)
Lifting Points



| Table | | | Weight Data SKID (Estimated) | | | NOZZLE DATA | | | | |
|----------|--------------------|------------------|------------------------------|----------------|----------------------|-------------|-------------|------------|-------|--------|
| ITEM No. | DESCRIPTION | TAG No. | ITEM | Empty lbs [kg] | Operational lbs [kg] | Nozzle | Description | Connection | Size | Rating |
| 1 | Local Push Station | 44-LPS 40001 A/B | Skid | 14727 | - | TP-001 | Inlet | RF | 12" | 150# |
| 2 | Junction box | 44-AJB 40001 A/B | | 8680 | - | TP-002 | Outlet | RF | DN250 | PN10 |
| | | | | | | | TP-003 | Blow off | RF | DN150 |

| | | | | | |
|---|----------------------------------|------------------------------|-------------------|--|---------------------------------|
| Subject 23383-COM 40001 A/B | | Projection First Angle | | This drawing is issued by Airpack and shall not be used or copied in any other way without explicit PERMISSION | |
| Client Arya Saeed Polymer Company | Revision no. to 1502/08 (1.0) | Issue Date 7-4-2025 | Drawn by MD | Checked by FYT | Project Location East_Ondore |
| Client Ref. ASPC Project | Client Doc. No. | Drawn by MD | Checked by FYT | Scale 1:1 | Project Name 23383-COM |
| Airpack Nederland BV Groningerweg 40 4201 RW Zwaikow The Netherlands Telephone (31) (0) 111-443455 Email: info@airpack.nl URL: http://www.airpack.nl | | Airpack Ltd 23383-04A.GAD | | Drawing No. 23383-04A.GAD | |