



ASPC Project



END CUSTOMER	: Arya Sasol Polymer Company
CONTRACTOR	: DYPNF Co., Ltd.
VENDOR NAME	: Airpack Netherlands BV
EQUIPMENT DESCRIPTION	: Screw Compressor & Roots Blower : Package
PURCHASE ORDER NUMBER	: PO-PC2312-08

Customer Document : 3944-VD-0171-DYP-RE-400-DWG-0020
Number

Airpack Document Number : 23383-04A

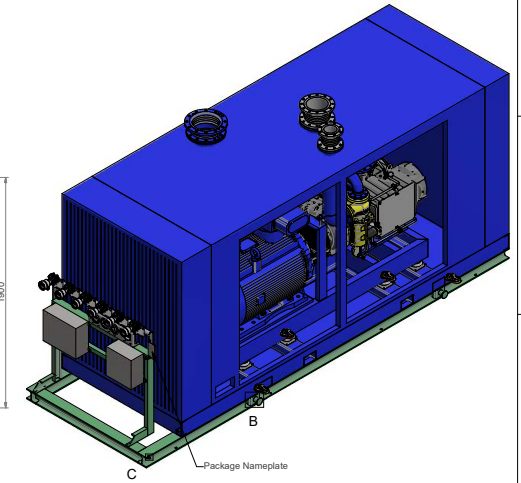
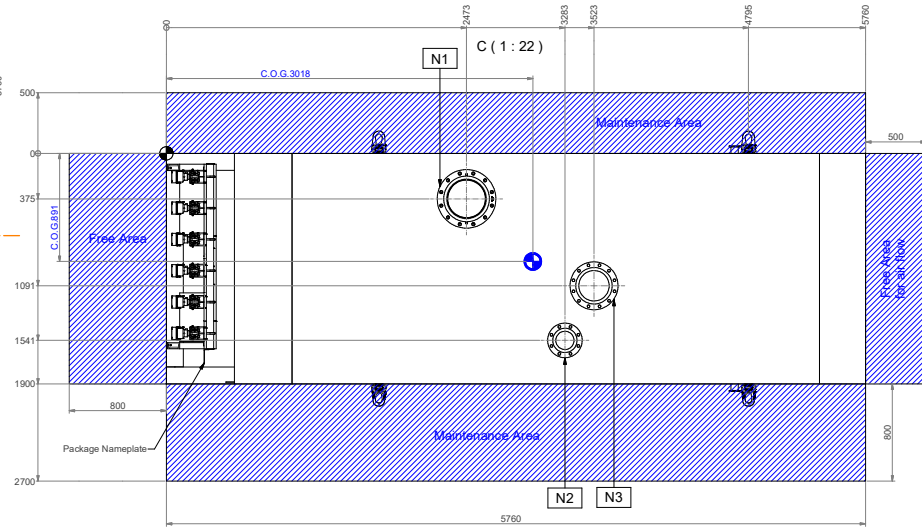
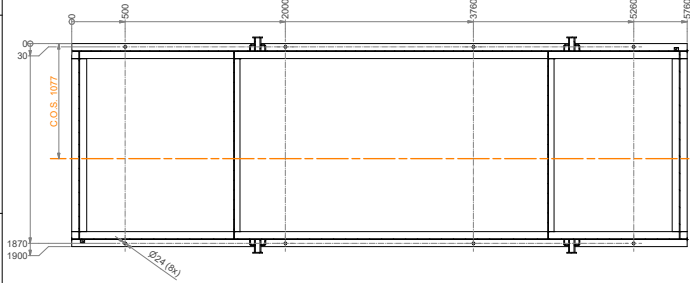
Document Title : General Arrangement Drawing 44C-40001A/B

Review Code and Status		Contractor Initials/Signature	Date signed
<input type="checkbox"/>	Code 1 REJECTED - Vendor to revise and Resubmit. Work cannot proceed		
<input type="checkbox"/>	Code 2 Comments As Noted - Work May proceed, subject to compliance with and incorporation of comments		
<input type="checkbox"/>	Code 3 No Comments - Work may proceed.		
<input type="checkbox"/>	Code 4 Information only - Review not required.		

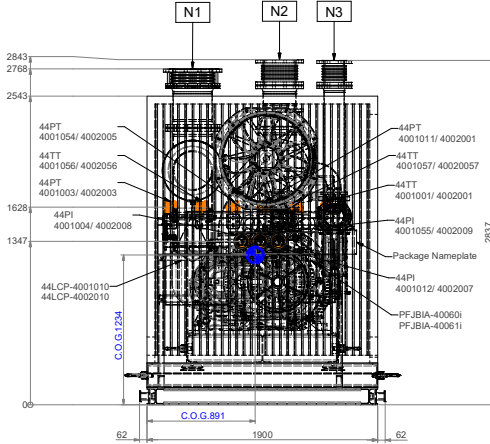
05	Issued for Approval	30-01-2026	MD	SC	JJ
04	Issued for Approval	02-12-2025	MD	SC	JJ
03	Issued for Approval	02-10-2025	FT	SC	JJ
02	Issued for Approval	08-08-2025	MD	SC	JJ
Rev. No.	Description	Date	Prepared by	Checked by	Approved by



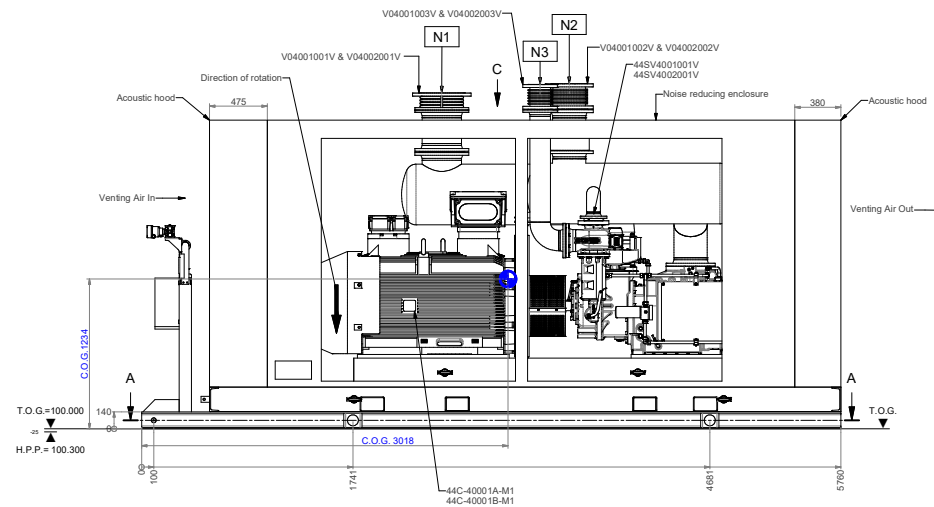
A-A (1 : 25)
section view of foundation holes



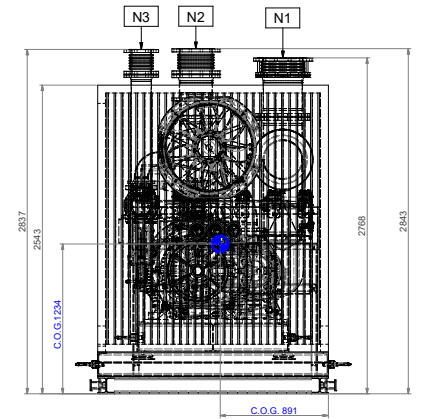
Front (1 : 22)



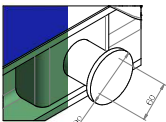
Right (1 : 22)



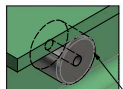
Back (1 : 22)



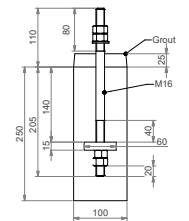
B (1 : 4)
Lifting Points



C (1 : 2)
Earthing lug



Type:8-T2-16-F1554 Gr.36-110-205



Main Data:	
Description	Data
Quantity	2 (1+1)
N2 compressor TAG	44C-4001A/B
Installed Power	450kW, 6000V, 50Hz
Medium	N2
Suction Volume	120 m ³ /min.
Intake Pressure	0.05 bar(g)
End Pressure	2.9 bar(g)
Intake Temp.	48 °C
Discharge temperature	189 °C
Design Pressure	5 bar(g)
Design Temperature	-10 to 280 °C

44M-40001A/B				Table			Weight Data SKID (Estimated)		
Description	Main Motor	ITEM No.	DESCRIPTION	TAG No.	ITEM	Empty lbs [kg]	Operational lbs [kg]		
Technical Data	Rated Power: 450 kW	29101	Local Push Station	44CP-400...	1	29101	29101		
	Speed: 2988 rpm	2	Junction box	PFJBIA-4006...	2	13200	13200		
	Power Supply: 6kV / 50 Hz / 3ph								

NOZZLE DATA						
Tip-in Point	Nozzle	Size	Rating	Type	Material	Remarks

NOTES

- Planting according to Packing procedure. 3844-VD-0171-DYP-RE-400-PRO-012
- See material in 5355
- L&E certificate provided by the customer and to be provided to the customer.
- See drawing for any other data.
- See drawing for any other data.
- See drawing for any other data.

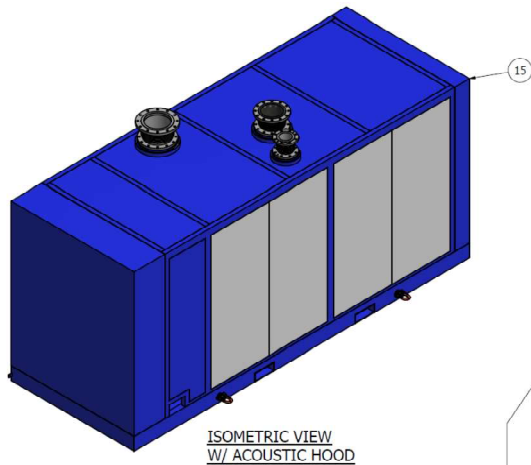
REFERENCE DOCUMENTS

Description	Document number
Vendor Document Schedule	3844-VD-0171-DYP-RE-400-INO-0001
Equipment List	3844-VD-0171-DYP-RE-400-LST-0010
Package nameplate	3844-VD-0171-DYP-RE-400-DWG-0013
Main motor datasheet	3844-VD-0171-DYP-RE-400-LST-0004

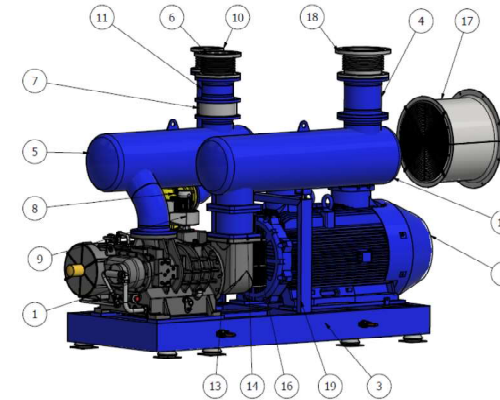
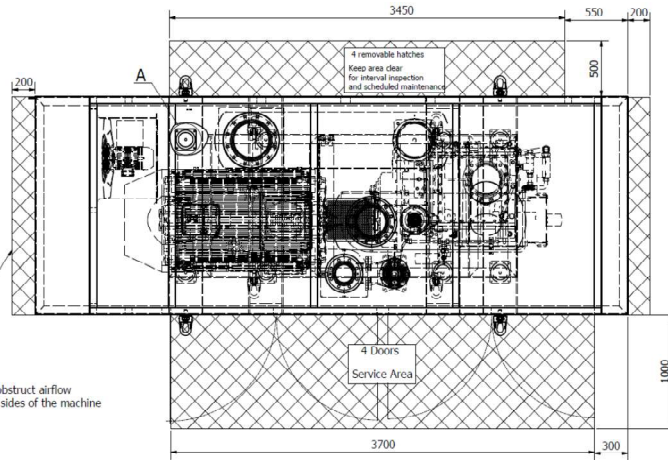
Subject: 23383-COM
General Arrangement Drawing
44C-40001 A/B

Client	Project	Revision	Date	Drawn	ACC.
Arya Saad Polymer Company	3844-VD-0171-DYP-RE-400-DWG-0020	1	30.11.2025	MD	
		2	15.12.2025	FVT	
		3	2.10.2025	FVT	
		4	1.8.2025	M.D.	
		1	17.8.2025	M.D.	

Checked by: FVT
Plant Location: Iran, Omidshahr
Scale: 1:1
Airpack Nederland BV
Groteveldweg 40
4201 RW Zeeburg
The Netherlands
Telephone: +31 (0) 111 414955
Email: info@airpack.nl
URL: http://www.airpack.nl
Drawing No: 23383-04A-GAD
Sheet 1 of 2

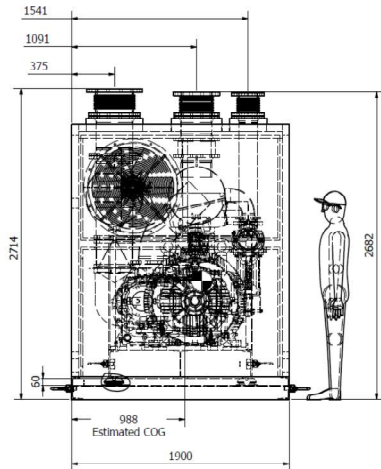
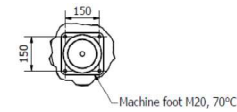


ISOMETRIC VIEW
W/ ACOUSTIC HOOD

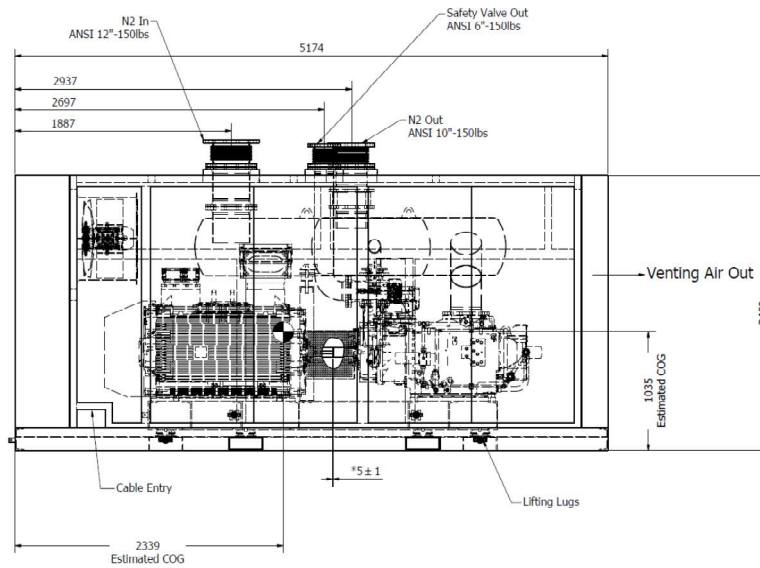


MAIN PARTS
ACOUSTIC HOOD NOT
SHOWN

A (1 / 10)
(8x)



Venting Air In →



→ Venting Air Out

TECHNICAL INFORMATION	
Unit type	VM 100 N2
Weight	+/- 12000 KG
Motor power	45/50kW
Medium	Nitrogen
Power supply	6000V/ 50Hz / 49.7A
Discharge	2,9 Bar(G)
Intake volume	120m³/min
Max. ambient temperature	+48°C

All Main Dimensions tolerance : +/-10mm

*Koppeling:
BIRN LB110 Aus GGG40, 55°Shore,
Wüchten nach G2,5, motorzijde ø80H7 / compressorzijde ø80H7

PARTS LIST			
ITEM	QTY	DESCRIPTION	
1	1	VM100 Compressor stage	
2	1	Motor	
3	1	Main Frame	
4	1	Inlet connection pipe	
5	1	Outlet Silencer	
6	1	Axial compensator DN250/PN10 - ANSI 6\"/>	

Project	Drawn	Roughness according NEN 3634
	Date: 0-1-2026	Tolerances according NEN 2365
	Scale: 1/20	Shape and position tolerances according NEN 3311
	Checked	
Client Airpack	First Angle Projection	
Title GA-Drawing VM100-N2	Format	A1
Aerzen Nederland b.v. Postbus 24 6020 AA Duijven NL	Drawing no.	
	Revision	A
Fotostraat 3 - 6921 RR - Duijven - tel. 026-2197534	copyright - all rights reserved	

2383.COM General Arrangement Drawing 44C-4001 A/B		 This drawing is issued by Airpack and shall not be used in any other way without explicit permission.
Client: Arpa Saeed Polymer Company Order Ref: 2384-YD-D11-DYP-RE-400-DWG-0020 Client Doc. No.:	Transmitted to: 30-1-2026 Date: 03-01-2026 Drawn by: MD Checked by: FVT Part Location: Part_Online Scale: 1:1 Airpack Ref: 2383.COM Drawing No: 2383-04A-GAD	