



ASPC Project








END CUSTOMER	: Arya Sasol Polymer Company
CONTRACTOR	: DYPNF Co., Ltd.
VENDOR NAME	: Airpack Netherlands BV
EQUIPMENT DESCRIPTION	: Screw Compressor & Roots Blower : Package
PURCHASE ORDER NUMBER	: PO-PC2312-08

Customer Document : 3944-VD-0171-DYP-RE-400-DWG-0003
Number

Airpack Document Number : 23383-07

Document Title : Panel Layout Drawing

Review Code and Status		Contractor Initials/Signature	Date signed
	Code 1 REJECTED - Vendor to revise and Resubmit. Work cannot proceed		10 Apr 2025
	Code 2 Comments As Noted - Work May proceed, subject to compliance with and incorporation of comments		
	Code 3 No Comments - Work may proceed.		
	Code 4 Information only - Review not required.		

00	Issued for Approval	25-03-2025	RT	SC	JJ
Rev. No.	Description	Date	Prepared by	Checked by	Approved by

No.	Description	Tag Number	Make	Model	Qty.
1	Operational Indication Lamp (Green)	3H4	Bartec	07-3353-120	1
2	Running Indication Lamp (Green)	3H6	Bartec	07-3353-120	1
3	Alarm Indication Lamp (Amber)	3H8	Bartec	07-3353-130	1
4	Trip Lamp (Red)	3H10	Bartec	07-3353-110	1
5	Start Pushbutton (Green)		Bartec	07-3353-400	1
6	Stop Pushbutton (Red)		Bartec	07-3353-400	1
7	Lamp Test Pushbutton (Black)		Bartec	07-3353-400	1
8	Selector Switch (Local/Off/Remote)		Bartec	05-0003-001000	1
9	Emergency Shutdown Pushbutton with Protective Cover	4S4	Bartec	05-0003-00 0800	1
Terminal Strip Definition					
X1	Connection Pushbuttons	X1	Phoenix Contact	3044102	
X2	Connection Lamps	X2	Phoenix Contact	3044102	
X9	Connection ESD Pushbutton	X9	Phoenix Contact	3044102	6

Lamps shall be IS type.

The name of the "Operational Lamp" to inform the operator that it is ready to start does not seem appropriate. It's not clear. Please change "Operational Lamp" to "Ready Lamp".

1. IS type terminal block must use blue color.
2. The junction box terminals shall be compression type with 6mm² cable clamp range.

GENERAL NOTES	
NOTES	
1. BILL OF MATERIALS (BOM) AS PER THE LATEST WIRING DIAGRAM.	
NGS	DWG.No. xxxx

LEGEND

RESULT CODE: AP AN CO RE
NEXT STATUS: IFI IFA AFC ASB/IFIN

Approval or review hereunder shall not be construed to relieve Vendor/ Subcontractor of his responsibilities and liability under the Contract.

P.O. NO.:
M.R. NO.:
ITEM NO. (EQUIPMENT NO.):
VENDRO JOB NO.:

REV.	DATE	PURPOSE OF ISSUE (P.O.I.)	PREP.	CHKD.	APPR.	AC.
00	24/Mar/25	ISSUED FOR APPROVAL				

OWNER:



PROJECT:
300 KT POLYETHYLENE PLANT
ARYA SASOL POLYMER COMPANY (ASPC)



DRAWING TITLE:
PANEL LAYOUT DRAWING
BILL OF MATERIALS FOR
LOCAL CONTROL PANEL 44LPS-40001A
OWNER DOC. NO.

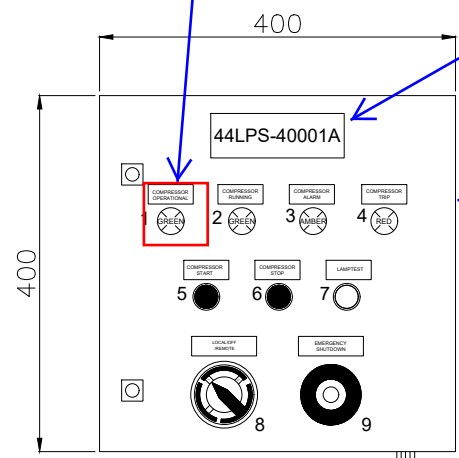
OWNER PROJECT NO.	VENDOR DWG.	MR NO.	VENDOR CODE	DISCIPLINE	UNIT	TYPE	SEQ.
3944	VD	0171	DYP	RE	400	DWG	0003
SCALE:	NONE	SIZE:	A0	SHEET NO.	1 OF 33	REV.	00

THIS DOCUMENT WITH ALL ITS RIGHTS IS THE PROPERTY OF A.S.P.C. AND MUST BE KEPT IN CONFIDENCE. NO DISCLOSURE, REPRODUCTION OR OTHER USE OF THE DOCUMENT IN WHOLE OR A PORTIONS TO BE MADE WITHOUT THE PRIOR CONSENT OF A.S.P.C.

44LPS-40001A

The color of the operational lamp is not compatible with the wiring diagram. Please match it.

Front Side (Outside) View



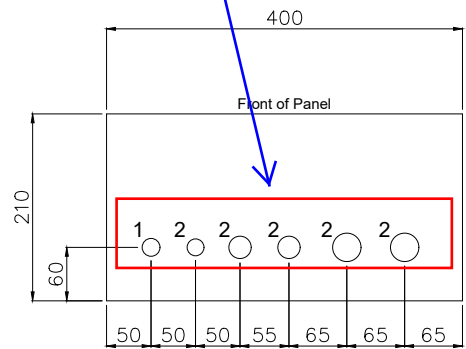
Shall be indicate name plate detail drawing.

right hinged type

Earthing Boss M10
M6

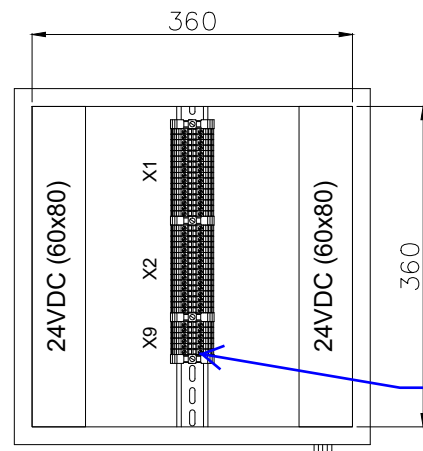
Please recheck numbering.

Bottom View



Cable gland size for the multicables will be advised in the detail design stage.

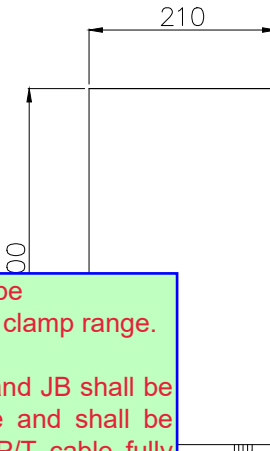
Front Side (Inside) View



1. The junction box terminals shall be compression type with 6mm² cable clamp range.
2. The terminal blocks in the LCP and JB shall be segregated as per the signal type and shall be designed to have the 8 and 16C/P/T cable fully terminated in it.

Earthing Boss M10
M6

Side (Outside) View



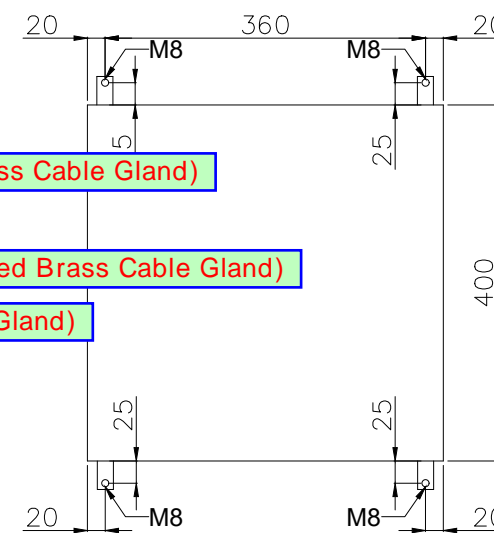
Earthing Boss M10
M6

Gland Entry Details

- M20 - 1x (Breather)
- M20 - 1x (Spare) (with SUS EX Plug)
- M25 - 1x (Cable for ESD Pushbutton) (with Nickel Plated Brass Cable Gland)
- M25 - 1x (Spare) (with SUS EX Plug)
- M32 - 1x (Cable for Lamps & Pushbuttons) (with Nickel Plated Brass Cable Gland)
- M32 - 1x (Cable for Pushbuttons) (with Nickel Plated Brass Cable Gland)

1. DI and DO cables must be separated.
2. Hole size may be changed according to the specification of the multi - cable.

Back (Outside) View Mounting Details



GENERAL NOTES
NOTES
1. PANEL DIMENSIONS: 400x400x210mm
2. PANEL MATERIAL: SS316L STAINLESS STEEL
3. AREA CLASSIFICATION: Ex II 3G IIC T3 Eex'e
4. AMBIENT TEMPERATURE: 5°C/+48°C
5. INGRESS PROTECTION: IP65
6. CABLE RACEWAYS SHALL HAVE NO LESS THAN 20% SPARE CAPACITY.
7. DIN RAIL TYPE: NS35
8. BLUE SLOTTED CABLE TRUNKING WILL BE PROVIDED FOR INTRINSICALLY SAFE SIGNALS.

Painting Color : RAL7035(Grey)

REFERENCE DRAWINGS	DWG.No.
xxxx	xxxx

LEGEND

RESULT CODE:	<input type="checkbox"/> AP	<input type="checkbox"/> AN	<input type="checkbox"/> CO	<input type="checkbox"/> RE	RESUBMISSION DATE:
NEXT STATUS:	<input type="checkbox"/> IFI	<input type="checkbox"/> IFA	<input type="checkbox"/> JAF	<input type="checkbox"/> ASB/IFIN	

Approval or review hereunder shall not be construed to relieve Vendor/ Subcontractor of his responsibilities and liability under the Contract.

P.O. NO.:	
M.R. NO.:	
ITEM NO. (EQUIPMENT NO.):	
VENDRO JOB NO.:	

REV.	DATE	PURPOSE OF ISSUE (P.O.I.)	PREP.	CHKD.	APPR.	AC.
00	24/Mar/25	ISSUED FOR APPROVAL				

OWNER:

PROJECT:
300 KT POLYETHYLENE PLANT
ARYA SASOL POLYMER COMPANY (ASPC)

MC:

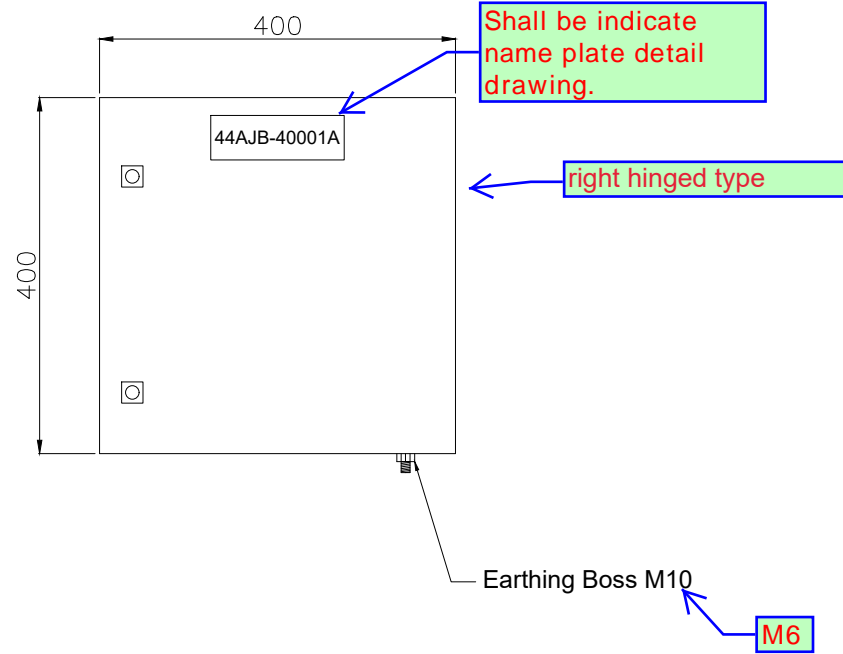
CONTRACTOR:

DRAWING TITLE:
PANEL LAYOUT DRAWING
LOCAL CONTROL PANEL 44LPS-40001A

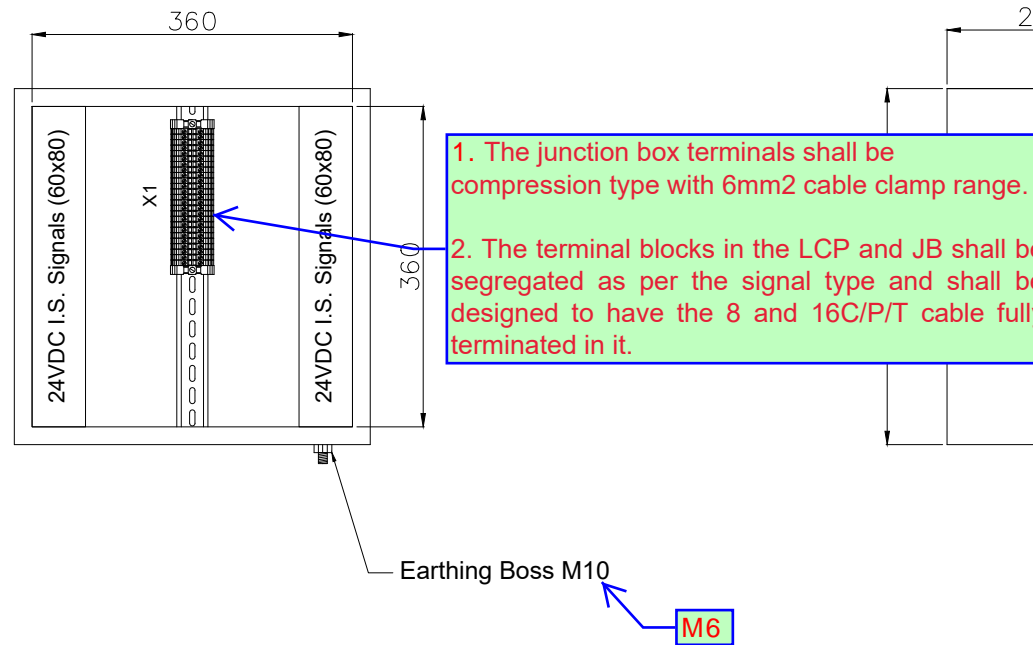
OWNER PROJECT NO.	VENDOR DWG.	MR NO.	VENDOR CODE	DISCIPLINE	UNIT	TYPE	SEQ.
3944	VD	0171	DYP	RE	400	DWG	0003
SCALE:	NONE	SIZE:	A0	SHEET NO.	2 OF 33	REV.	00

44AJB-40001A

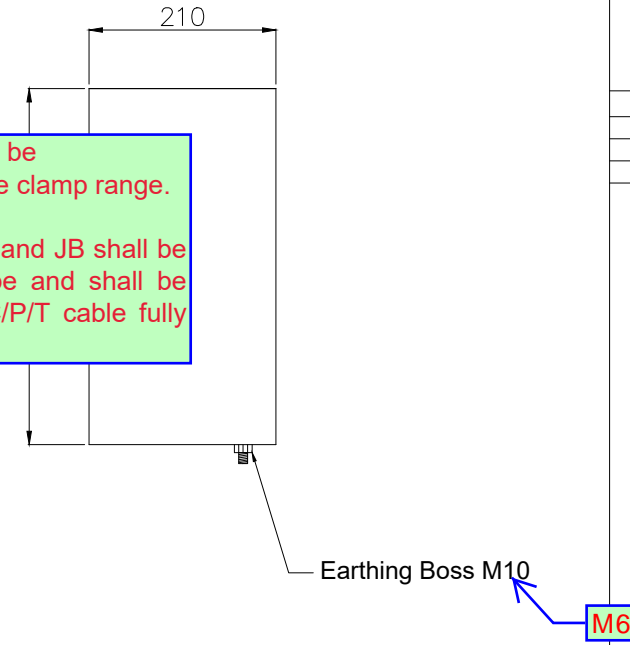
Front Side (Outside) View



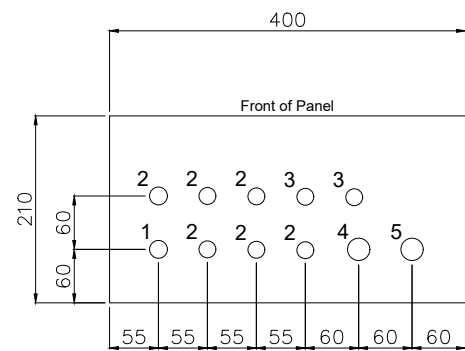
Front Side (Inside) View



Side (Outside) View



Bottom View

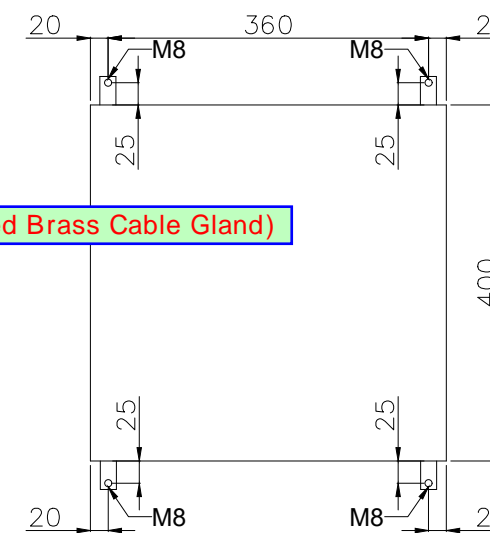


Gland Entry Details

1. M20 - 1x (Breather)
2. M20 - 6x (Cables from Transmitters)
3. M20 - 2x (Spare) (with SUS EX Plug)
4. M25 - 1x (Multipair Cable from Customer) (with Nickel Plated Brass Cable Gland)
5. M25 - 1x (Spare) (with SUS EX Plug)

Cable gland size for the multicables will be advised in the detail design stage.

Back (Outside) View Mounting Details



GENERAL NOTES

NOTES

1. PANEL DIMENSIONS: 400x400x210mm
2. PANEL MATERIAL: SS316L STAINLESS STEEL
3. AREA CLASSIFICATION: Ex II 3G IIC T3 Eex'e
4. AMBIENT TEMPERATURE: 5°C/+48°C
5. INGRESS PROTECTION: IP65
6. CABLE RACEWAYS SHALL HAVE NO LESS THAN 20% SPARE CAPACITY.
7. DIN RAIL TYPE: NS35
8. BLUE SLOTTED CABLE TRUNKING WILL BE PROVIDED FOR INTRINSICALLY SAFE SIGNALS.

Painting Color : RAL5010(Blue)

REFERENCE DRAWINGS	DWG.No.
xxxx	xxxx

LEGEND

RESULT CODE:	<input type="checkbox"/> AP	<input type="checkbox"/> AN	<input type="checkbox"/> CO	<input type="checkbox"/> RE	RESUBMISSION DATE:
NEXT STATUS:	<input type="checkbox"/> IFI	<input type="checkbox"/> IFA	<input type="checkbox"/> JAF	<input type="checkbox"/> ASB/IFIN	

Approval or review hereunder shall not be construed to relieve Vendor/ Subcontractor of his responsibilities and liability under the Contract.

P.O. NO.:

M.R. NO.:

ITEM NO. (EQUIPMENT NO.):

VENDOR JOB NO.:

REV.	DATE	PURPOSE OF ISSUE (P.O.I.)	PREP.	CHKD.	APPR.	AC.
00	24/Mar/25	ISSUED FOR APPROVAL				

OWNER:



PROJECT:

300 KT POLYETHYLENE PLANT
ARYA SASOL POLYMER COMPANY (ASPC)



DRAWING TITLE:

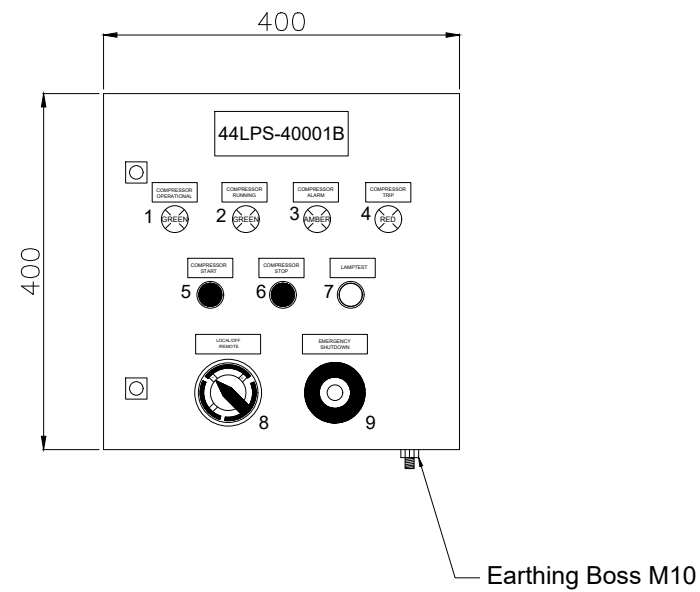
PANEL LAYOUT DRAWING
LOCAL CONTROL PANEL 44AJB-40001A

OWNER PROJECT NO.	VENDOR DWG.	MR NO.	VENDOR CODE	DISCIPLINE	UNIT	TYPE	SEQ.
3944	VD	0171	DYP	RE	400	DWG	0003

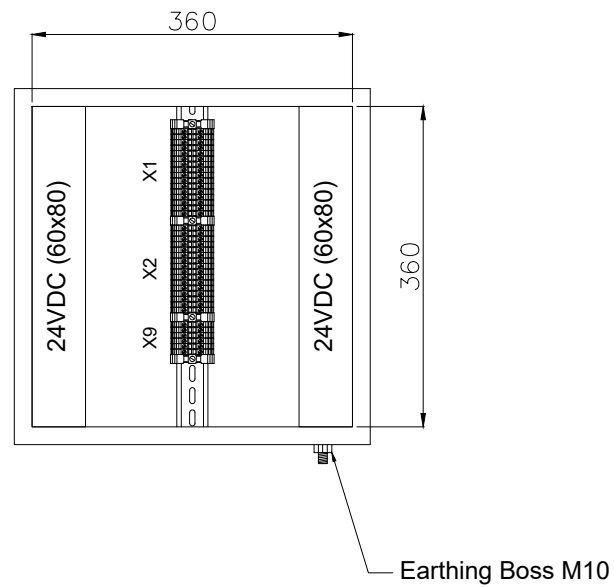
SCALE: NONE SIZE: A0 SHEET NO. 3 OF 33 REV. 00

44LPS-40001B

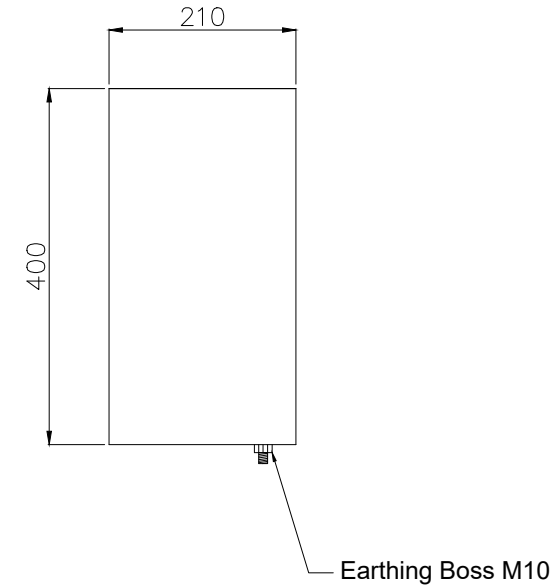
Front Side (Outside) View



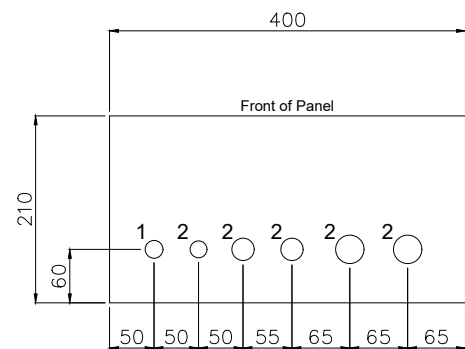
Front Side (Inside) View



Side (Outside) View



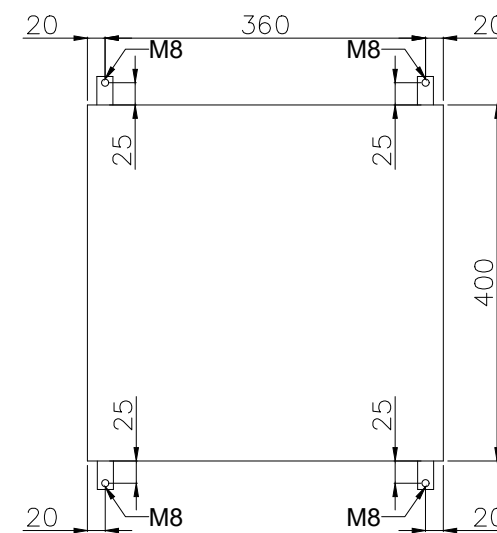
Bottom View



Gland Entry Details

1. M20 - 1x (Breather)
2. M20 - 1x (Spare)
3. M25 - 1x (Cable for ESD Pushbutton)
4. M25 - 1x (Spare)
5. M32 - 1x (Cable for Lamps & Pushbuttons)
6. M32 - 1x (Spare)

Back (Outside) View Mounting Details



GENERAL NOTES

- NOTES
1. PANEL DIMENSIONS: 400x400x210mm
 2. PANEL MATERIAL: SS316L STAINLESS STEEL
 3. AREA CLASSIFICATION: Ex II 3G IIC T3 Eex'e
 4. AMBIENT TEMPERATURE: 5°C/+48°C
 5. INGRESS PROTECTION: IP65
 6. CABLE RACEWAYS SHALL HAVE NO LESS THAN 20% SPARE CAPACITY.
 7. DIN RAIL TYPE: NS35
 8. BLUE SLOTTED CABLE TRUNKING WILL BE PROVIDED FOR INTRINSICALLY SAFE SIGNALS.

REFERENCE DRAWINGS	DWG.No.
xxxx	xxxx

LEGEND

RESULT CODE: AP AN CO RE RESUBMISSION DATE:

NEXT STATUS: IFI IFA IAF ASB/IFIN

Approval or review hereunder shall not be construed to relieve Vendor/ Subcontractor of his responsibilities and liability under the Contract.

P.O. NO.:

M.R. NO.:

ITEM NO. (EQUIPMENT NO.):

VENDRO JOB NO.:

REV.	DATE	PURPOSE OF ISSUE (P.O.I.)	PREP.	CHKD.	APPR.	AC.
00	24/Mar/25	ISSUED FOR APPROVAL	RT	RB	SC	-

OWNER:



PROJECT:
300 KT POLYETHYLENE PLANT
ARYA SASOL POLYMER COMPANY (ASPC)

MC:
ISBEDCO
گروه صنعتی پتروشیمی

CONTRACTOR: SAZEH CONSULTANTS
VENDOR: DYPNF

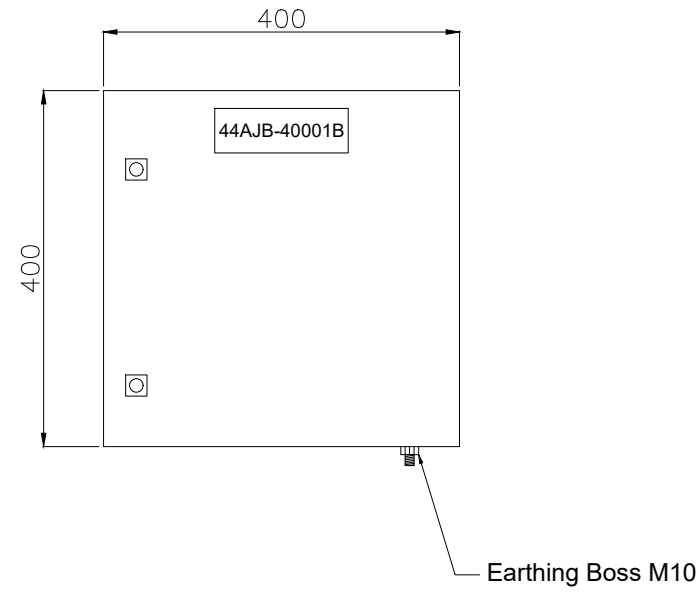
DRAWING TITLE:
PANEL LAYOUT DRAWING
LOCAL CONTROL PANEL 44LPS-40001B

OWNER PROJECT NO.	VENDOR DWG.	MR NO.	VENDOR CODE	DISCIPLINE	UNIT	TYPE	SEQ.
3944	VD	0171	DYP	RE	400	DWG	0003

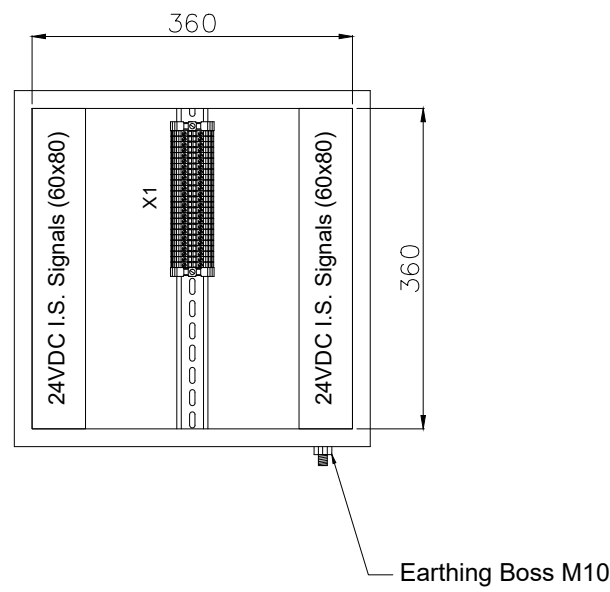
SCALE: NONE SIZE: A0 SHEET NO. 5 OF 33 REV. 00

44AJB-40001B

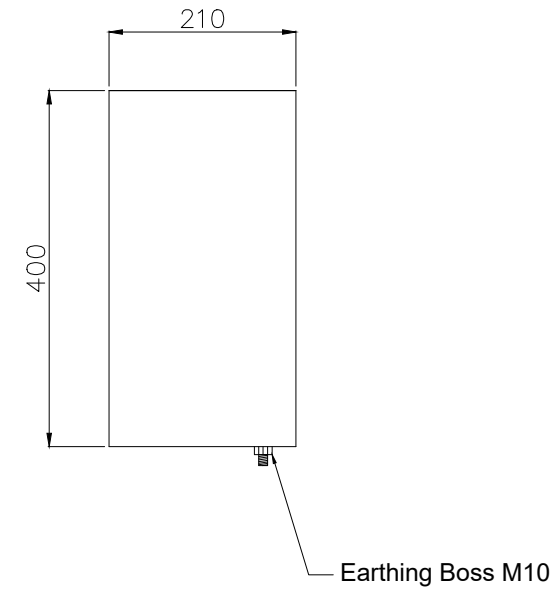
Front Side (Outside) View



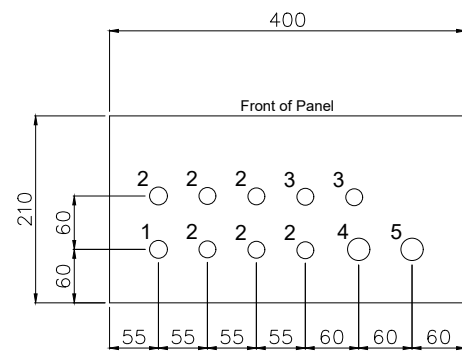
Front Side (Inside) View



Side (Outside) View



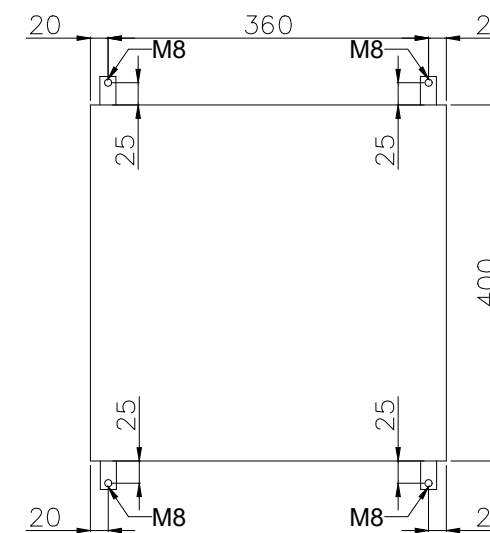
Bottom View



Gland Entry Details

1. M20 - 1x (Breather)
2. M20 - 6x (Cables from Transmitters)
3. M20 - 2x (Spare)
4. M25 - 1x (Multipair Cable from Customer)
5. M25 - 1x (Spare)

Back (Outside) View Mounting Details



GENERAL NOTES

- NOTES
1. PANEL DIMENSIONS: 400x400x210mm
 2. PANEL MATERIAL: SS316L STAINLESS STEEL
 3. AREA CLASSIFICATION: Ex II 3G IIC T3 Eex'e
 4. AMBIENT TEMPERATURE: 5°C/+48°C
 5. INGRESS PROTECTION: IP65
 6. CABLE RACEWAYS SHALL HAVE NO LESS THAN 20% SPARE CAPACITY.
 7. DIN RAIL TYPE: NS35
 8. BLUE SLOTTED CABLE TRUNKING WILL BE PROVIDED FOR INTRINSICALLY SAFE SIGNALS.

REFERENCE DRAWINGS	DWG.No.
xxxx	xxxx

LEGEND

RESULT CODE: AP AN CO RE RESUBMISSION DATE:

NEXT STATUS: IFI IFA JAF ASB/IFIN

Approval or review hereunder shall not be construed to relieve Vendor/ Subcontractor of his responsibilities and liability under the Contract.

P.O. NO.:

M.R. NO.:

ITEM NO. (EQUIPMENT NO.):

VENDRO JOB NO.:

REV.	DATE	PURPOSE OF ISSUE (P.O.I.)	PREP.	CHKD.	APPR.	AC.
00	24/Mar/25	ISSUED FOR APPROVAL				

OWNER:



PROJECT:

300 KT POLYETHYLENE PLANT
ARYA SASOL POLYMER COMPANY (ASPC)

MC:



CONTRACTOR:



VENDOR:

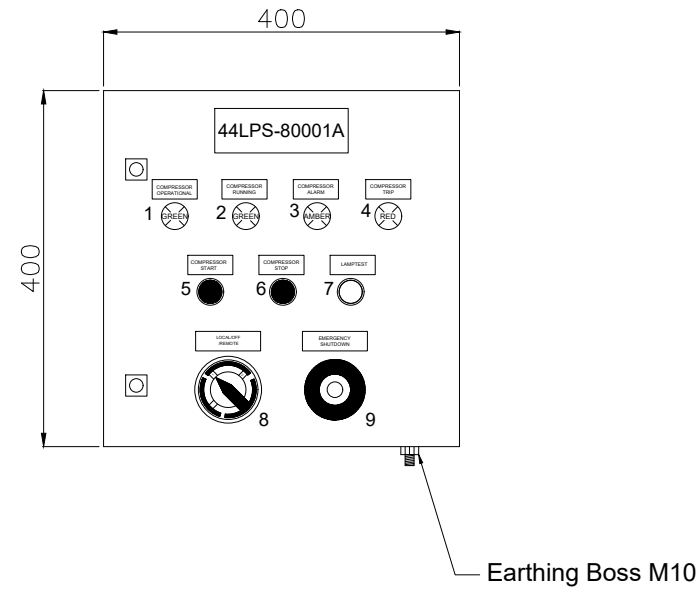


DRAWING TITLE:
PANEL LAYOUT DRAWING
LOCAL CONTROL PANEL 44AJB-40001B

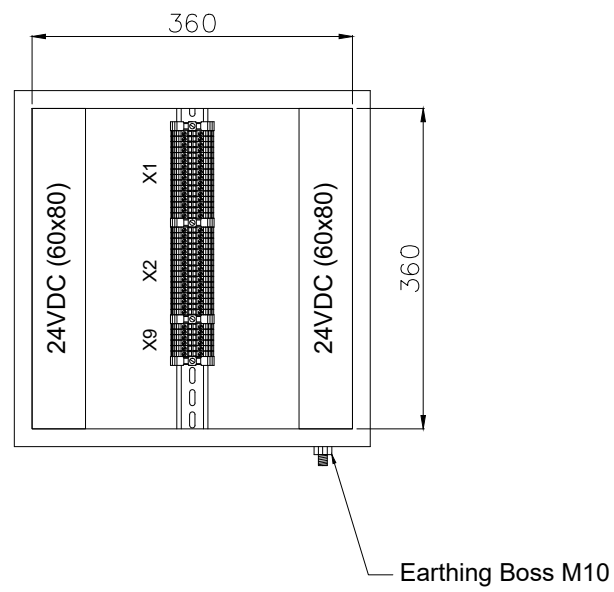
OWNER PROJECT NO.	VENDOR DWG.	MR NO.	VENDOR CODE	DISCIPLINE	UNIT	TYPE	SEQ.
3944	VD	0171	DYP	RE	400	DWG	0003
SCALE:	NONE	SIZE:	A0	SHEET NO.	6 OF 33	REV.	00

44LPS-80001A

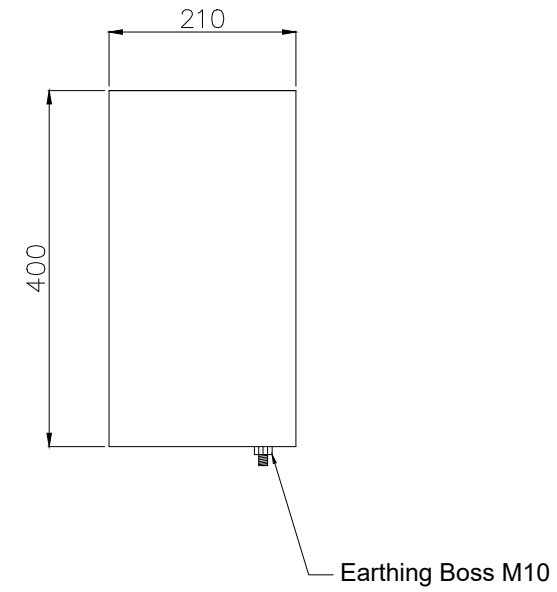
Front Side (Outside) View



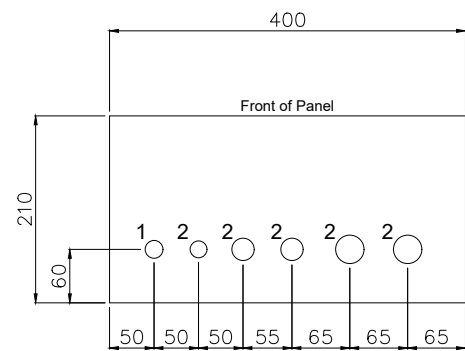
Front Side (Inside) View



Side (Outside) View



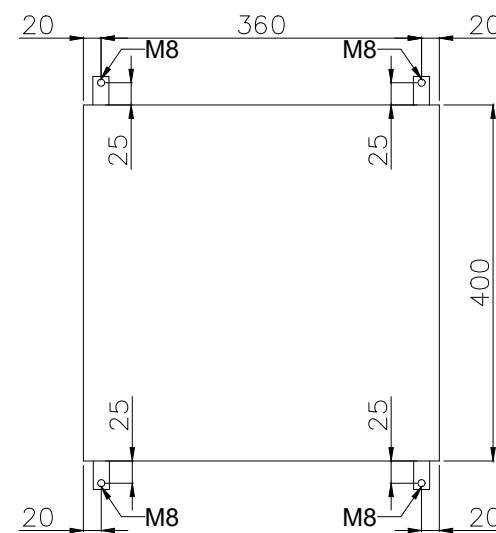
Bottom View



Gland Entry Details

1. M20 - 1x (Breather)
2. M20 - 1x (Spare)
3. M25 - 1x (Cable for ESD Pushbutton)
4. M25 - 1x (Spare)
5. M32 - 1x (Cable for Lamps & Pushbuttons)
6. M32 - 1x (Spare)

Back (Outside) View Mounting Details



GENERAL NOTES

- NOTES
1. PANEL DIMENSIONS: 400x400x210mm
 2. PANEL MATERIAL: SS316L STAINLESS STEEL
 3. AREA CLASSIFICATION: Ex II 3G IIC T3 Eex'e
 4. AMBIENT TEMPERATURE: 5°C/+48°C
 5. INGRESS PROTECTION: IP65
 6. CABLE RACEWAYS SHALL HAVE NO LESS THAN 20% SPARE CAPACITY.
 7. DIN RAIL TYPE: NS35
 8. BLUE SLOTTED CABLE TRUNKING WILL BE PROVIDED FOR INTRINSICALLY SAFE SIGNALS.

REFERENCE DRAWINGS	DWG.No.
xxxx	xxxx

LEGEND

RESULT CODE: AP AN CO RE RESUBMISSION DATE:

NEXT STATUS: IFI IFA IAF ASB/IFIN

Approval or review hereunder shall not be construed to relieve Vendor/ Subcontractor of his responsibilities and liability under the Contract.

P.O. NO.:

M.R. NO.:

ITEM NO. (EQUIPMENT NO.):

VENDRO JOB NO.:

REV.	DATE	PURPOSE OF ISSUE (P.O.I.)	PREP.	CHKD.	APPR.	AC.
00	24/Mar/25	ISSUED FOR APPROVAL	RT	RB	SC	-

OWNER:



PROJECT:

300 KT POLYETHYLENE PLANT
ARYA SASOL POLYMER COMPANY (ASPC)

MC:



CONTRACTOR:



VENDOR:



DRAWING TITLE:
PANEL LAYOUT DRAWING
LOCAL CONTROL PANEL 44LPS-80001A

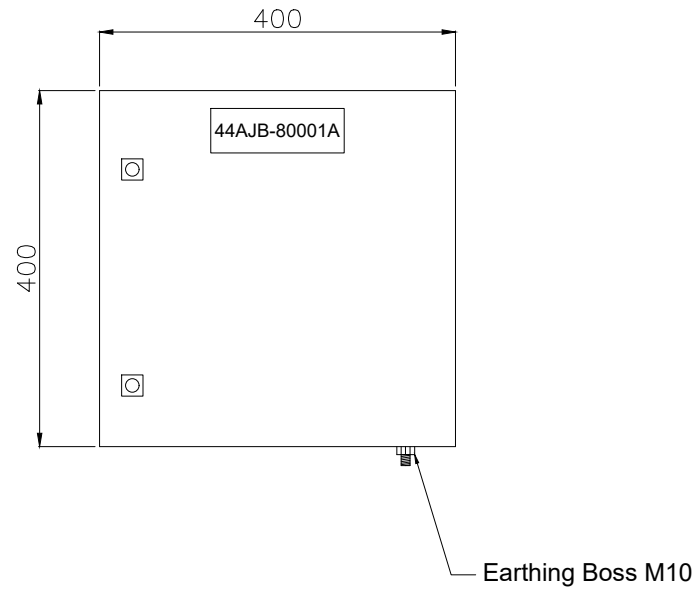
OWNER DOC. NO.

OWNER PROJECT NO.	VENDOR DWG.	MR NO.	VENDOR CODE	DISCIPLINE	UNIT	TYPE	SEQ.
3944	VD	0171	DYP	RE	400	DWG	0003

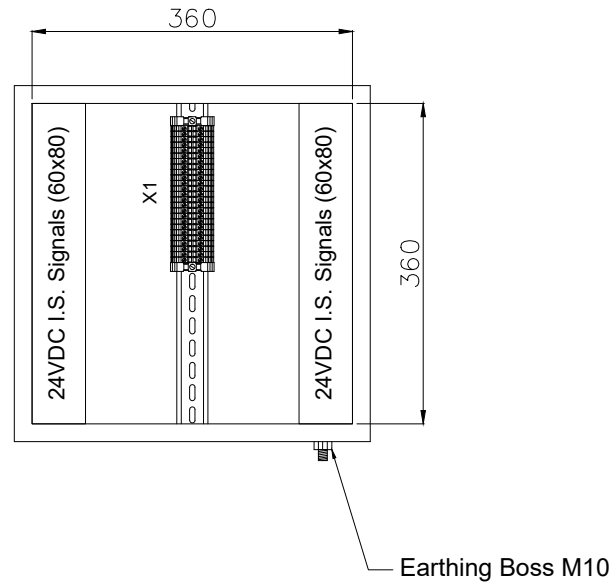
SCALE: NONE SIZE: A0 SHEET NO. 8 OF 33 REV. 00

44AJB-80001A

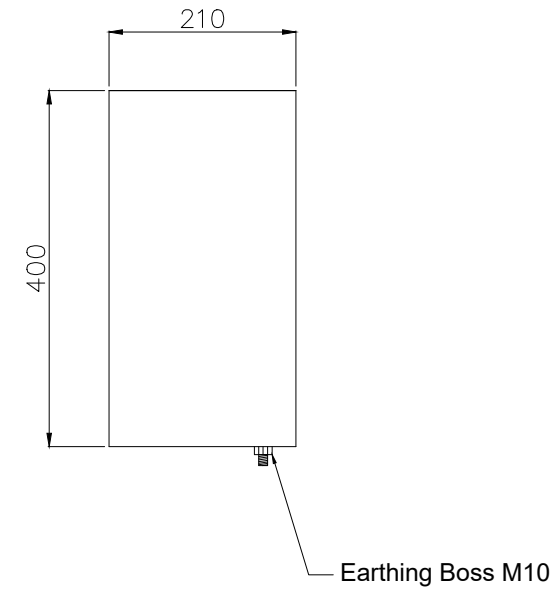
Front Side (Outside) View



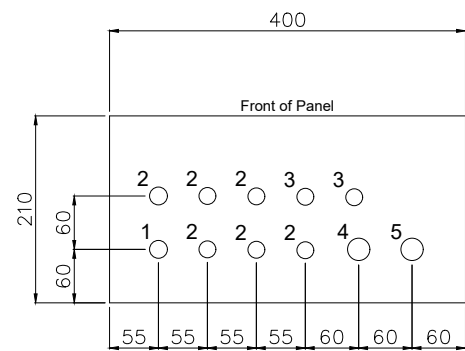
Front Side (Inside) View



Side (Outside) View



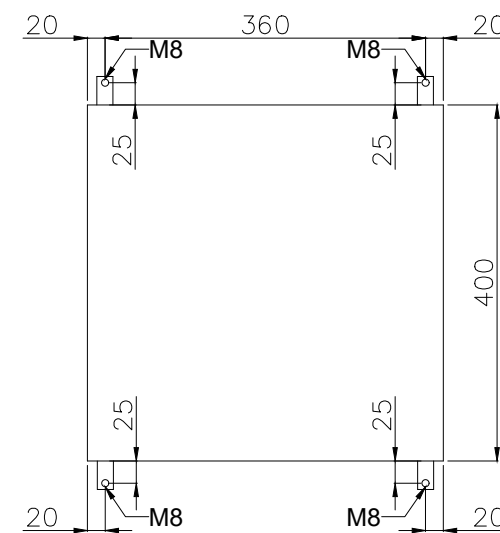
Bottom View



Gland Entry Details

1. M20 - 1x (Breather)
2. M20 - 6x (Cables from Transmitters)
3. M20 - 2x (Spare)
4. M25 - 1x (Multipair Cable from Customer)
5. M25 - 1x (Spare)

Back (Outside) View Mounting Details



GENERAL NOTES

- NOTES
1. PANEL DIMENSIONS: 400x400x210mm
 2. PANEL MATERIAL: SS316L STAINLESS STEEL
 3. AREA CLASSIFICATION: Ex II 3G IIC T3 Eex'e
 4. AMBIENT TEMPERATURE: 5°C/+48°C
 5. INGRESS PROTECTION: IP65
 6. CABLE RACEWAYS SHALL HAVE NO LESS THAN 20% SPARE CAPACITY.
 7. DIN RAIL TYPE: NS35
 8. BLUE SLOTTED CABLE TRUNKING WILL BE PROVIDED FOR INTRINSICALLY SAFE SIGNALS.

REFERENCE DRAWINGS	DWG.No.
xxxx	xxxx

LEGEND

RESULT CODE: AP AN CO RE RESUBMISSION DATE:

NEXT STATUS: IFI IFA IAF ASB/IFIN

Approval or review hereunder shall not be construed to relieve Vendor/ Subcontractor of his responsibilities and liability under the Contract.

P.O. NO.:

M.R. NO.:

ITEM NO. (EQUIPMENT NO.):

VENDRO JOB NO.:

REV.	DATE	PURPOSE OF ISSUE (P.O.I)	PREP.	CHKD.	APPR.	AC.
00	24/Mar/25	ISSUED FOR APPROVAL				

OWNER:



PROJECT:
300 KT POLYETHYLENE PLANT
ARYA SASOL POLYMER COMPANY (ASPC)

MC:
ISBEDCO
گروه صنعتی پتروشیمی

CONTRACTOR: SAZEH CONSULTANTS
VENDOR: DYPNF

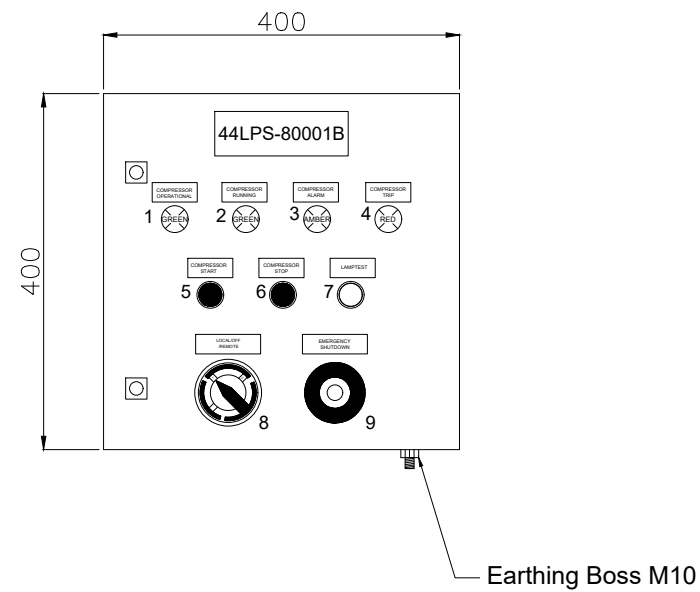
DRAWING TITLE:
PANEL LAYOUT DRAWING
LOCAL CONTROL PANEL 44AJB-80001A

OWNER PROJECT NO.	VENDOR DWG.	MR NO.	VENDOR CODE	DISCIPLINE	UNIT	TYPE	SEQ.
3944	VD	0171	DYP	RE	400	DWG	0003

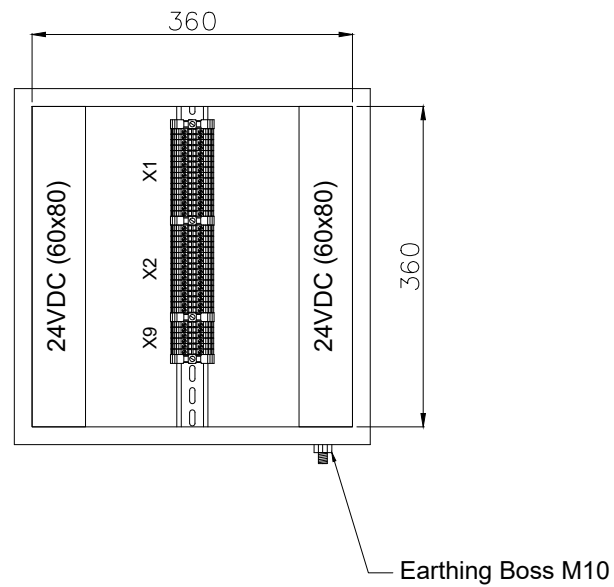
SCALE: NONE SIZE: A0 SHEET NO. 9 OF 33 REV. 00

44LPS-80001B

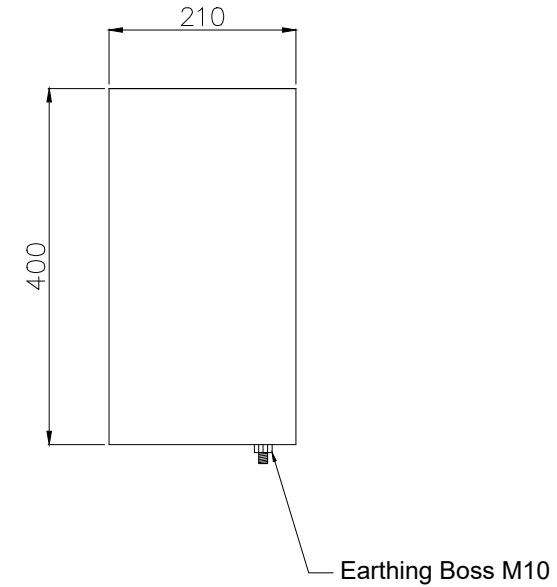
Front Side (Outside) View



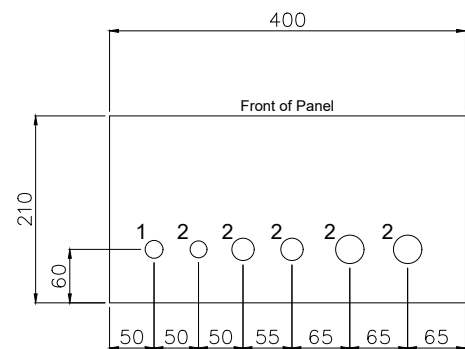
Front Side (Inside) View



Side (Outside) View



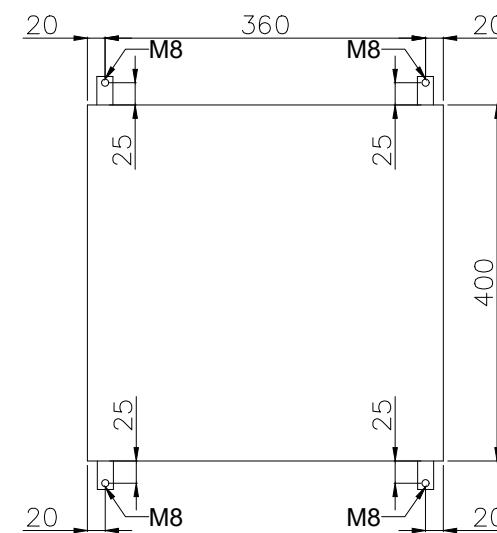
Bottom View



Gland Entry Details

1. M20 - 1x (Breather)
2. M20 - 1x (Spare)
3. M25 - 1x (Cable for ESD Pushbutton)
4. M25 - 1x (Spare)
5. M32 - 1x (Cable for Lamps & Pushbuttons)
6. M32 - 1x (Spare)

Back (Outside) View Mounting Details



GENERAL NOTES

- NOTES
1. PANEL DIMENSIONS: 400x400x210mm
 2. PANEL MATERIAL: SS316L STAINLESS STEEL
 3. AREA CLASSIFICATION: Ex II 3G IIC T3 Eex'e
 4. AMBIENT TEMPERATURE: 5°C/+48°C
 5. INGRESS PROTECTION: IP65
 6. CABLE RACEWAYS SHALL HAVE NO LESS THAN 20% SPARE CAPACITY.
 7. DIN RAIL TYPE: NS35
 8. BLUE SLOTTED CABLE TRUNKING WILL BE PROVIDED FOR INTRINSICALLY SAFE SIGNALS.

REFERENCE DRAWINGS	DWG.No.
xxxx	xxxx

LEGEND

RESULT CODE: AP AN CO RE RESUBMISSION DATE:

NEXT STATUS: IFI IFA IAF ASB/IFIN

Approval or review hereunder shall not be construed to relieve Vendor/ Subcontractor of his responsibilities and liability under the Contract.

P.O. NO.:

M.R. NO.:

ITEM NO. (EQUIPMENT NO.):

VENDRO JOB NO.:

REV.	DATE	PURPOSE OF ISSUE (P.O.I.)	PREP.	CHKD.	APPR.	AC.
00	24/Mar/25	ISSUED FOR APPROVAL				

OWNER:



PROJECT:

300 KT POLYETHYLENE PLANT
ARYA SASOL POLYMER COMPANY (ASPC)

MC:



CONTRACTOR:



DRAWING TITLE:

PANEL LAYOUT DRAWING
LOCAL CONTROL PANEL 44LPS-80001B

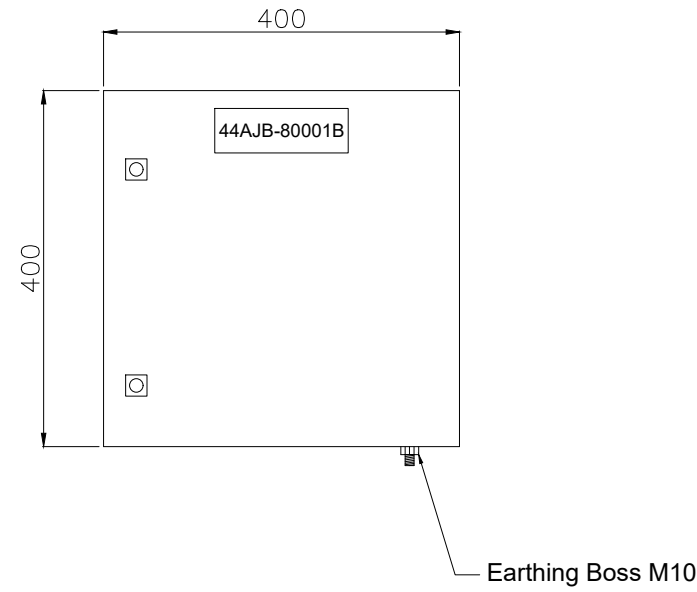
OWNER DOC. NO.

OWNER PROJECT NO.	VENDOR DWG.	MR NO.	VENDOR CODE	DISCIPLINE	UNIT	TYPE	SEQ.
3944	VD	0171	DYP	RE	400	DWG	0003

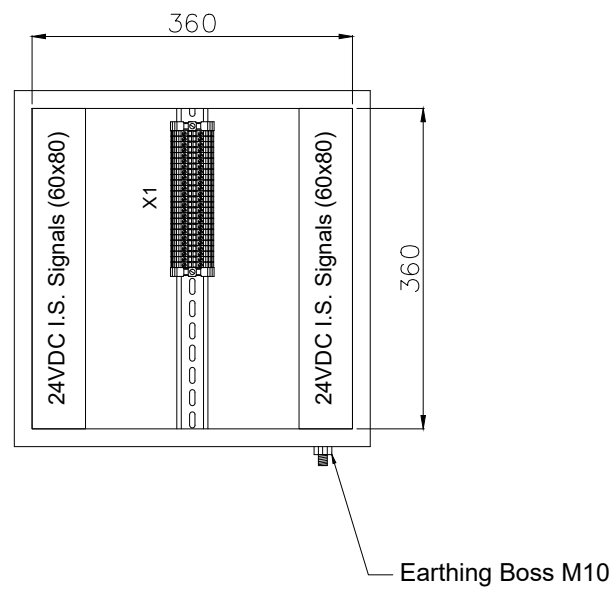
SCALE:	NONE	SIZE:	A0	SHEET NO.	11 OF 33	REV.	00
--------	------	-------	----	-----------	----------	------	----

44AJB-80001B

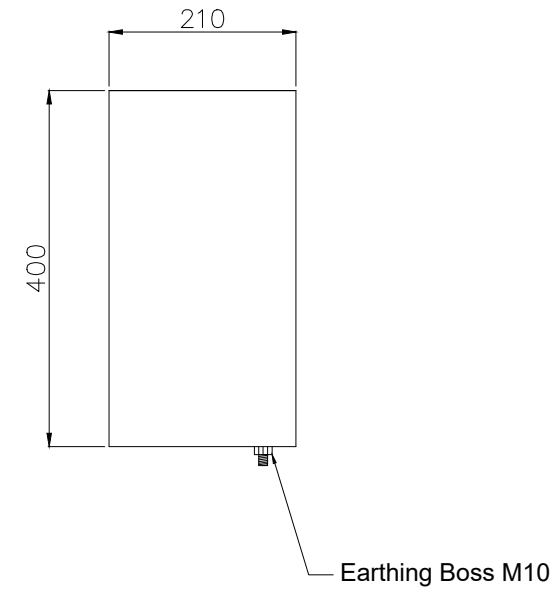
Front Side (Outside) View



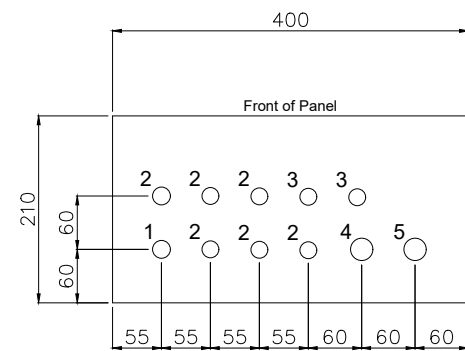
Front Side (Inside) View



Side (Outside) View



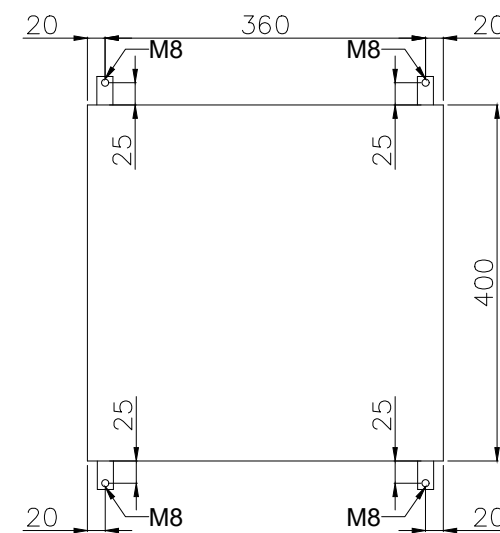
Bottom View



Gland Entry Details

1. M20 - 1x (Breather)
2. M20 - 6x (Cables from Transmitters)
3. M20 - 2x (Spare)
4. M25 - 1x (Multipair Cable from Customer)
5. M25 - 1x (Spare)

Back (Outside) View Mounting Details



GENERAL NOTES

- NOTES
1. PANEL DIMENSIONS: 400x400x210mm
 2. PANEL MATERIAL: SS316L STAINLESS STEEL
 3. AREA CLASSIFICATION: Ex II 3G IIC T3 Eex'e
 4. AMBIENT TEMPERATURE: 5°C/+48°C
 5. INGRESS PROTECTION: IP65
 6. CABLE RACEWAYS SHALL HAVE NO LESS THAN 20% SPARE CAPACITY.
 7. DIN RAIL TYPE: NS35
 8. BLUE SLOTTED CABLE TRUNKING WILL BE PROVIDED FOR INTRINSICALLY SAFE SIGNALS.

REFERENCE DRAWINGS	DWG.No.
xxxx	xxxx

LEGEND

RESULT CODE: AP AN CO RE RESUBMISSION DATE:

NEXT STATUS: IFI IFA IAF ASB/IFIN

Approval or review hereunder shall not be construed to relieve Vendor/ Subcontractor of his responsibilities and liability under the Contract.

P.O. NO.:

M.R. NO.:

ITEM NO. (EQUIPMENT NO.):

VENDRO JOB NO.:

REV.	DATE	PURPOSE OF ISSUE (P.O.I)	PREP.	CHKD.	APPR.	AC.
00	24/Mar/25	ISSUED FOR APPROVAL				

OWNER:



PROJECT:

300 KT POLYETHYLENE PLANT
ARYA SASOL POLYMER COMPANY (ASPC)

MC:



CONTRACTOR:



VENDOR:



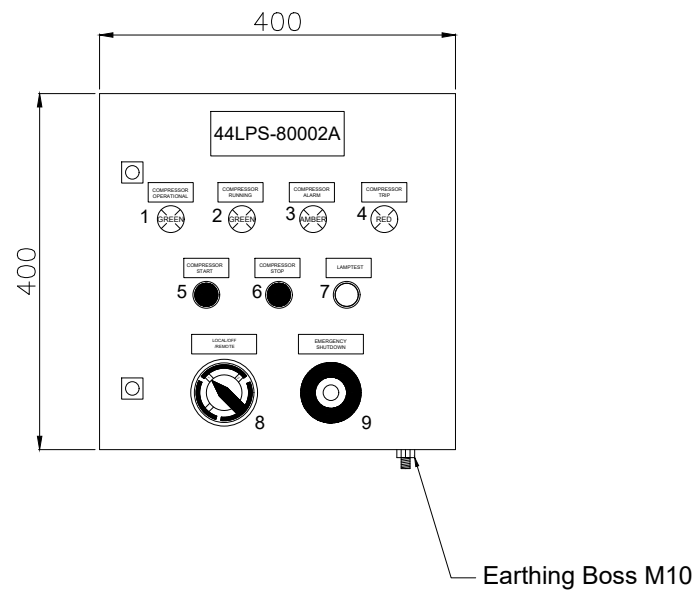
DRAWING TITLE:

PANEL LAYOUT DRAWING
LOCAL CONTROL PANEL 44AJB-80001B

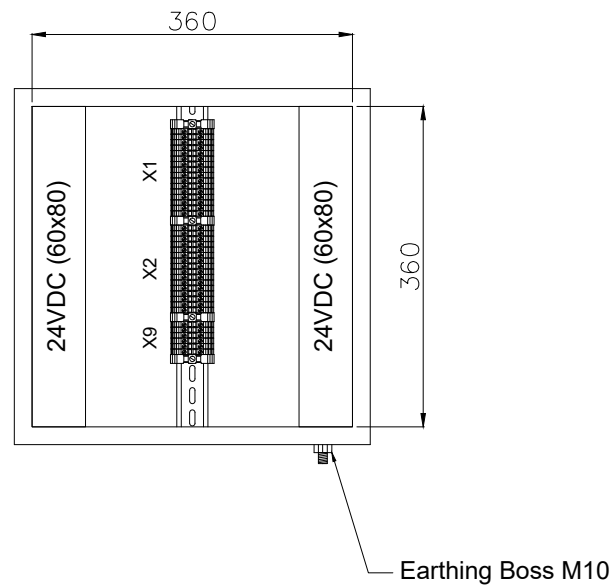
OWNER PROJECT NO.	VENDOR DWG.	MR NO.	VENDOR CODE	DISCIPLINE	UNIT	TYPE	SEQ.
3944	VD	0171	DYP	RE	400	DWG	0003
SCALE: NONE	SIZE: A0	SHEET NO. 12 OF 33	REV. 00				

44LPS-80002A

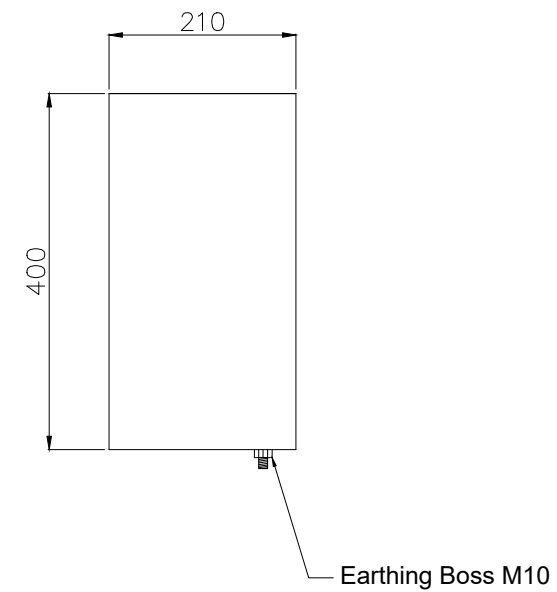
Front Side (Outside) View



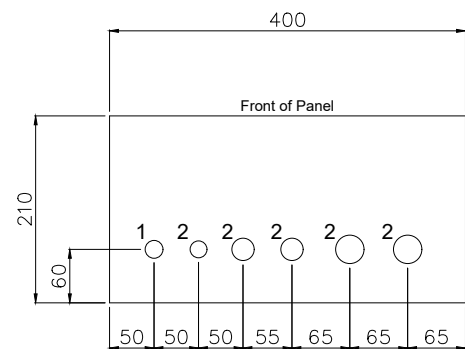
Front Side (Inside) View



Side (Outside) View



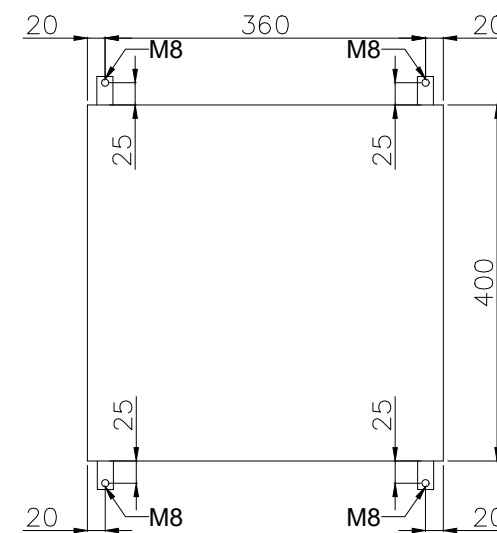
Bottom View



Gland Entry Details

1. M20 - 1x (Breather)
2. M20 - 1x (Spare)
3. M25 - 1x (Cable for ESD Pushbutton)
4. M25 - 1x (Spare)
5. M32 - 1x (Cable for Lamps & Pushbuttons)
6. M32 - 1x (Spare)

Back (Outside) View Mounting Details



GENERAL NOTES

- NOTES
1. PANEL DIMENSIONS: 400x400x210mm
 2. PANEL MATERIAL: SS316L STAINLESS STEEL
 3. AREA CLASSIFICATION: Ex II 3G IIC T3 Eex'e
 4. AMBIENT TEMPERATURE: 5°C/+48°C
 5. INGRESS PROTECTION: IP65
 6. CABLE RACEWAYS SHALL HAVE NO LESS THAN 20% SPARE CAPACITY.
 7. DIN RAIL TYPE: NS35
 8. BLUE SLOTTED CABLE TRUNKING WILL BE PROVIDED FOR INTRINSICALLY SAFE SIGNALS.

REFERENCE DRAWINGS	DWG.No.
xxxx	xxxx

LEGEND

RESULT CODE: AP AN CO RE RESUBMISSION DATE:

NEXT STATUS: IFI IFA JAF ASB/IFIN

Approval or review hereunder shall not be construed to relieve Vendor/ Subcontractor of his responsibilities and liability under the Contract.

P.O. NO.:

M.R. NO.:

ITEM NO. (EQUIPMENT NO.):

VENDRO JOB NO.:

REV.	DATE	PURPOSE OF ISSUE (P.O.I.)	PREP.	CHKD.	APPR.	AC.
00	24/Mar/25	ISSUED FOR APPROVAL				

OWNER:



PROJECT:

300 KT POLYETHYLENE PLANT
ARYA SASOL POLYMER COMPANY (ASPC)

MC:



CONTRACTOR:



VENDOR:



DRAWING TITLE:

PANEL LAYOUT DRAWING
LOCAL CONTROL PANEL 44LPS-80002A

OWNER DOC. NO.

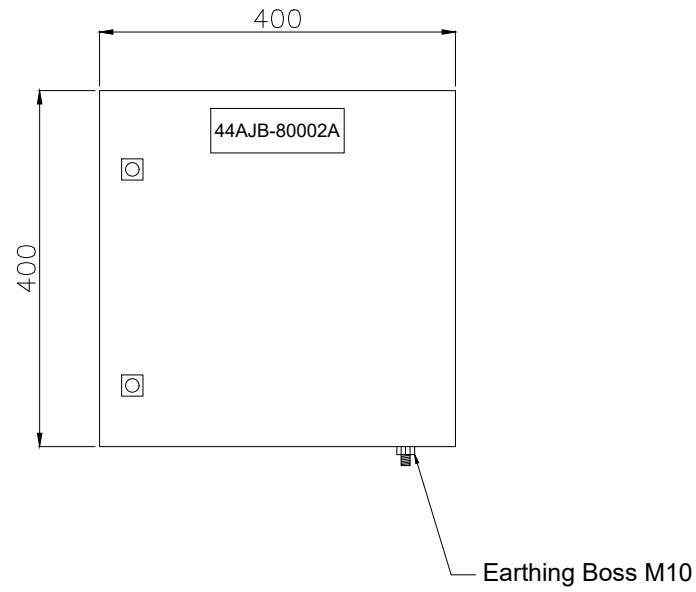
OWNER PROJECT NO.	VENDOR DWG.	MR NO.	VENDOR CODE	DISCIPLINE	UNIT	TYPE	SEQ.
3944	VD	0171	DYP	RE	400	DWG	0003

SCALE: NONE SIZE: A0 SHEET NO. 14 OF 33 REV. 00

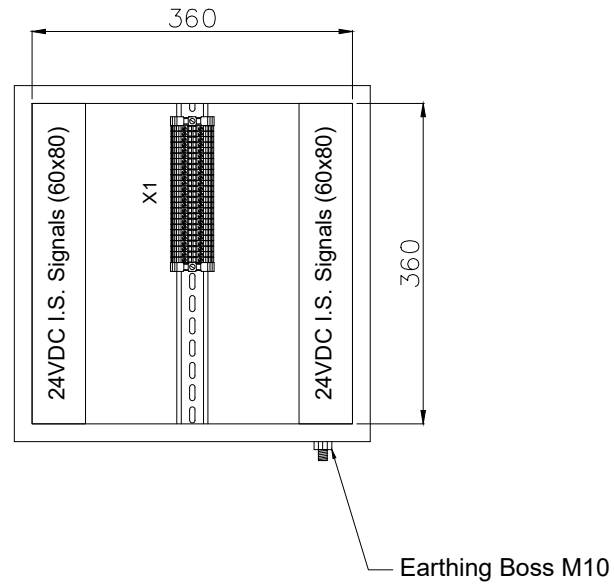
THIS DOCUMENT WITH ALL ITS RIGHTS IS THE PROPERTY OF A.S.P.C. AND MUST BE HELD IN CONFIDENCE. NO DISCLOSURE, REPRODUCTION OR OTHER USE OF THE DOCUMENT IN WHOLE OR A PORTION IS TO BE MADE WITHOUT THE PRIOR CONSENT OF A.S.P.C.

44AJB-80002A

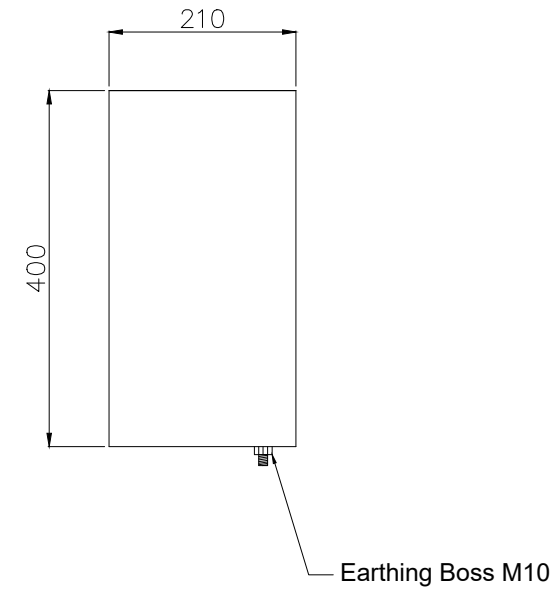
Front Side (Outside) View



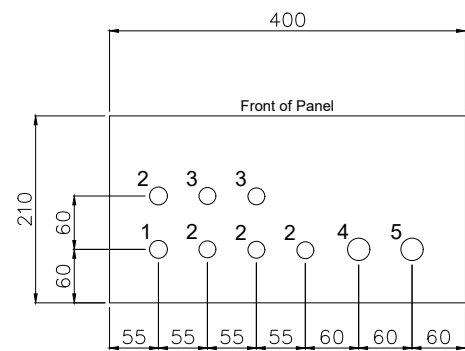
Front Side (Inside) View



Side (Outside) View



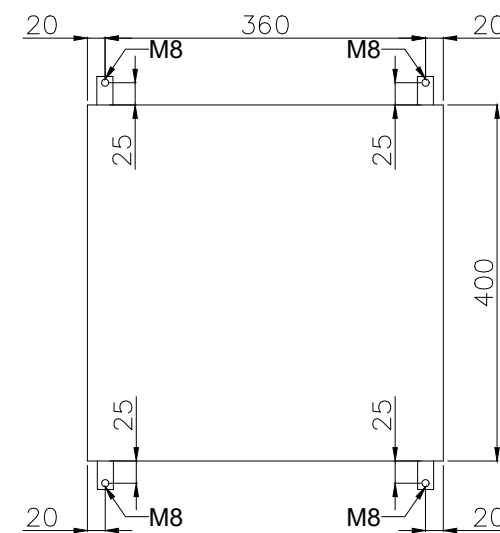
Bottom View



Gland Entry Details

1. M20 - 1x (Breather)
2. M20 - 4x (Cables from Transmitters)
3. M20 - 2x (Spare)
4. M25 - 1x (Multipair Cable from Customer)
5. M25 - 1x (Spare)

Back (Outside) View Mounting Details



GENERAL NOTES

- NOTES
1. PANEL DIMENSIONS: 400x400x210mm
 2. PANEL MATERIAL: SS316L STAINLESS STEEL
 3. AREA CLASSIFICATION: Ex II 3G IIC T3 Eex'e
 4. AMBIENT TEMPERATURE: 5°C/+48°C
 5. INGRESS PROTECTION: IP65
 6. CABLE RACEWAYS SHALL HAVE NO LESS THAN 20% SPARE CAPACITY.
 7. DIN RAIL TYPE: NS35
 8. BLUE SLOTTED CABLE TRUNKING WILL BE PROVIDED FOR INTRINSICALLY SAFE SIGNALS.

REFERENCE DRAWINGS	DWG.No.
xxxx	xxxx

LEGEND

RESULT CODE: AP AN CO RE RESUBMISSION DATE:

NEXT STATUS: IFI IFA IAF ASB/IFIN

Approval or review hereunder shall not be construed to relieve Vendor/ Subcontractor of his responsibilities and liability under the Contract.

P.O. NO.:

M.R. NO.:

ITEM NO. (EQUIPMENT NO.):

VENDRO JOB NO.:

REV.	DATE	PURPOSE OF ISSUE (P.O.I.)	PREP.	CHKD.	APPR.	AC.
00	24/Mar/25	ISSUED FOR APPROVAL				

OWNER:



PROJECT:

300 KT POLYETHYLENE PLANT
ARYA SASOL POLYMER COMPANY (ASPC)

MC:



CONTRACTOR:



DRAWING TITLE:

PANEL LAYOUT DRAWING
LOCAL CONTROL PANEL 44AJB-80002A

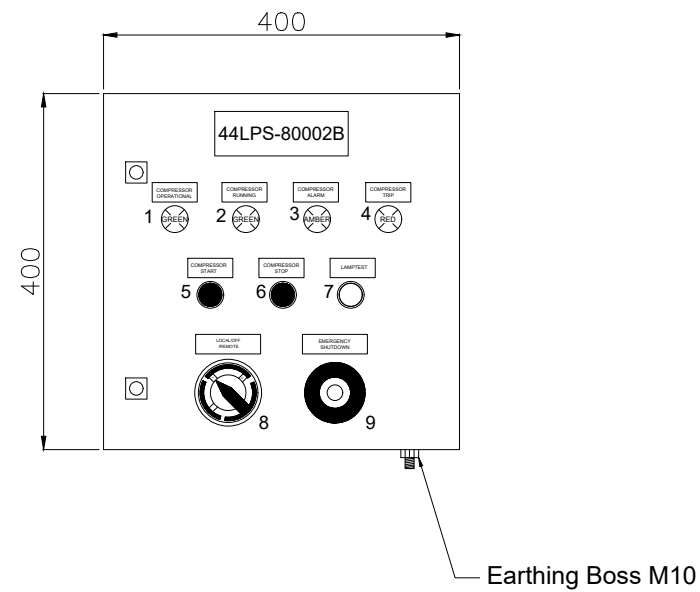
OWNER DOC. NO.

OWNER PROJECT NO.	VENDOR DWG.	MR NO.	VENDOR CODE	DISCIPLINE	UNIT	TYPE	SEQ.
3944	VD	0171	DYP	RE	400	DWG	0003

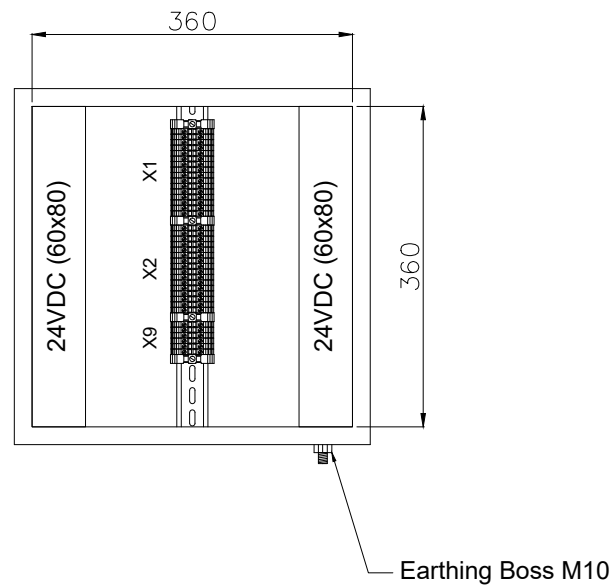
SCALE: NONE SIZE: A0 SHEET NO. 15 OF 33 REV. 00

44LPS-80002B

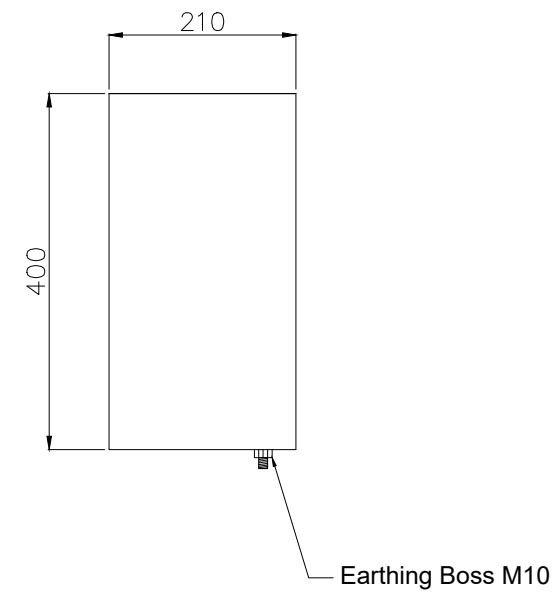
Front Side (Outside) View



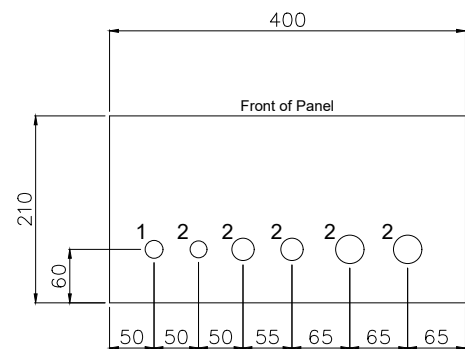
Front Side (Inside) View



Side (Outside) View



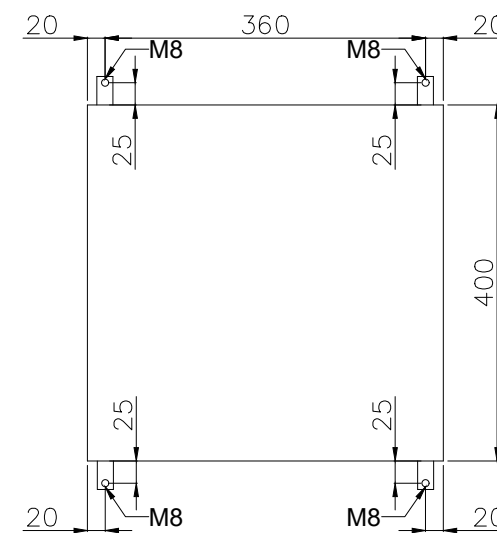
Bottom View



Gland Entry Details

1. M20 - 1x (Breather)
2. M20 - 1x (Spare)
3. M25 - 1x (Cable for ESD Pushbutton)
4. M25 - 1x (Spare)
5. M32 - 1x (Cable for Lamps & Pushbuttons)
6. M32 - 1x (Spare)

Back (Outside) View Mounting Details



GENERAL NOTES

- NOTES
1. PANEL DIMENSIONS: 400x400x210mm
 2. PANEL MATERIAL: SS316L STAINLESS STEEL
 3. AREA CLASSIFICATION: Ex II 3G IIC T3 Eex'e
 4. AMBIENT TEMPERATURE: 5°C/+48°C
 5. INGRESS PROTECTION: IP65
 6. CABLE RACEWAYS SHALL HAVE NO LESS THAN 20% SPARE CAPACITY.
 7. DIN RAIL TYPE: NS35
 8. BLUE SLOTTED CABLE TRUNKING WILL BE PROVIDED FOR INTRINSICALLY SAFE SIGNALS.

REFERENCE DRAWINGS	DWG.No.
xxxx	xxxx

LEGEND

RESULT CODE: AP AN CO RE RESUBMISSION DATE:

NEXT STATUS: IFI IFA IAF ASB/IFIN

Approval or review hereunder shall not be construed to relieve Vendor/ Subcontractor of his responsibilities and liability under the Contract.

P.O. NO.:

M.R. NO.:

ITEM NO. (EQUIPMENT NO.):

VENDRO JOB NO.:

REV.	DATE	PURPOSE OF ISSUE (P.O.I.)	PREP.	CHKD.	APPR.	AC.
00	24/Mar/25	ISSUED FOR APPROVAL				

OWNER:



PROJECT:

300 KT POLYETHYLENE PLANT
ARYA SASOL POLYMER COMPANY (ASPC)

MC:



CONTRACTOR:



VENDOR:



DRAWING TITLE:

PANEL LAYOUT DRAWING
LOCAL CONTROL PANEL 44LPS-80002B

OWNER DOC. NO.

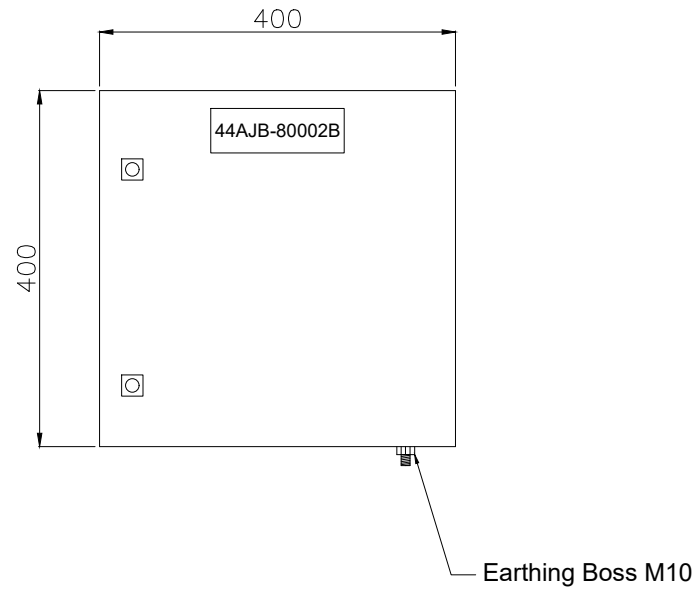
OWNER PROJECT NO.	VENDOR DWG.	MR NO.	VENDOR CODE	DISCIPLINE	UNIT	TYPE	SEQ.
3944	VD	0171	DYP	RE	400	DWG	0003

SCALE: NONE SIZE: A0 SHEET NO. 17 OF 33 REV. 00

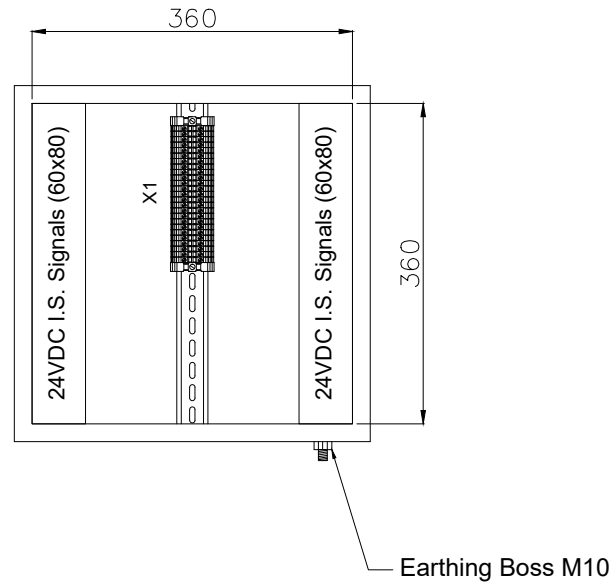
THIS DOCUMENT WITH ALL ITS RIGHTS IS THE PROPERTY OF A.S.P.C. AND MUST BE HELD IN CONFIDENCE. NO DISCLOSURE, REPRODUCTION OR OTHER USE OF THE DOCUMENT IN WHOLE OR A PORTIONS TO BE MADE WITHOUT THE PRIOR CONSENT OF A.S.P.C.

44AJB-80002B

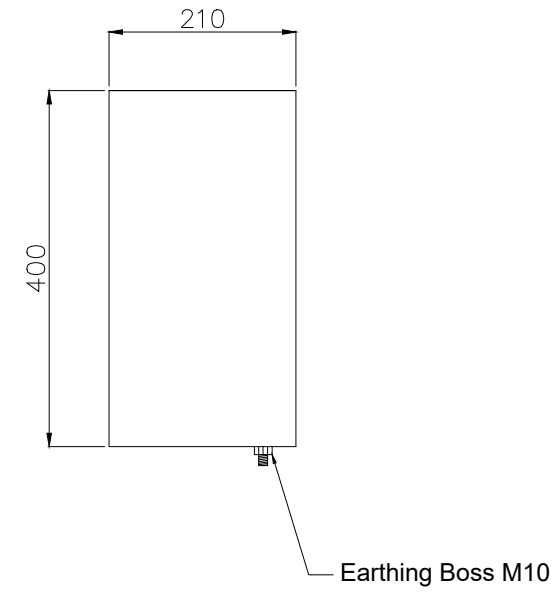
Front Side (Outside) View



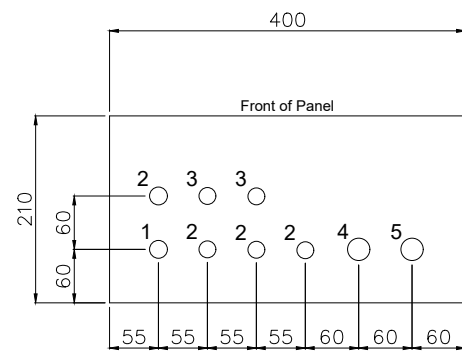
Front Side (Inside) View



Side (Outside) View



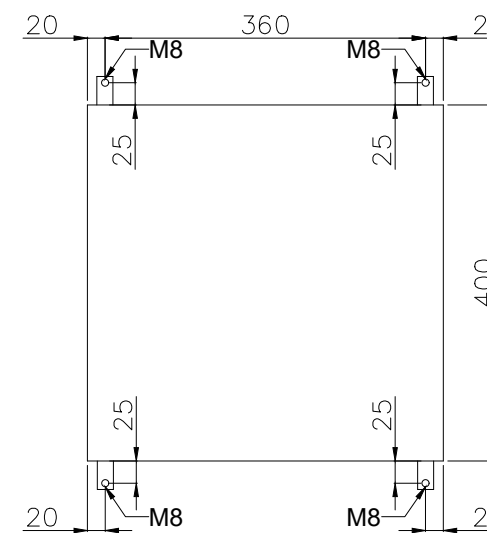
Bottom View



Gland Entry Details

1. M20 - 1x (Breather)
2. M20 - 4x (Cables from Transmitters)
3. M20 - 2x (Spare)
4. M25 - 1x (Multipair Cable from Customer)
5. M25 - 1x (Spare)

Back (Outside) View Mounting Details



GENERAL NOTES

- NOTES
1. PANEL DIMENSIONS: 400x400x210mm
 2. PANEL MATERIAL: SS316L STAINLESS STEEL
 3. AREA CLASSIFICATION: Ex II 3G IIC T3 Eex'e
 4. AMBIENT TEMPERATURE: 5°C/+48°C
 5. INGRESS PROTECTION: IP65
 6. CABLE RACEWAYS SHALL HAVE NO LESS THAN 20% SPARE CAPACITY.
 7. DIN RAIL TYPE: NS35
 8. BLUE SLOTTED CABLE TRUNKING WILL BE PROVIDED FOR INTRINSICALLY SAFE SIGNALS.

REFERENCE DRAWINGS	DWG.No.
xxxx	xxxx

LEGEND

RESULT CODE: AP AN CO RE RESUBMISSION DATE:

NEXT STATUS: IFI IFA IAF ASB/IFIN

Approval or review hereunder shall not be construed to relieve Vendor/ Subcontractor of his responsibilities and liability under the Contract.

P.O. NO.:

M.R. NO.:

ITEM NO. (EQUIPMENT NO.):

VENDRO JOB NO.:

REV.	DATE	PURPOSE OF ISSUE (P.O.I)	PREP.	CHKD.	APPR.	AC.
00	24/Mar/25	ISSUED FOR APPROVAL				

OWNER:



PROJECT:
300 KT POLYETHYLENE PLANT
ARYA SASOL POLYMER COMPANY (ASPC)

MC:
ISBEDCO
گروه صنعتی پارس پتروشیمی

CONTRACTOR: SAZEH CONSULTANTS
VENDOR: DYPNF

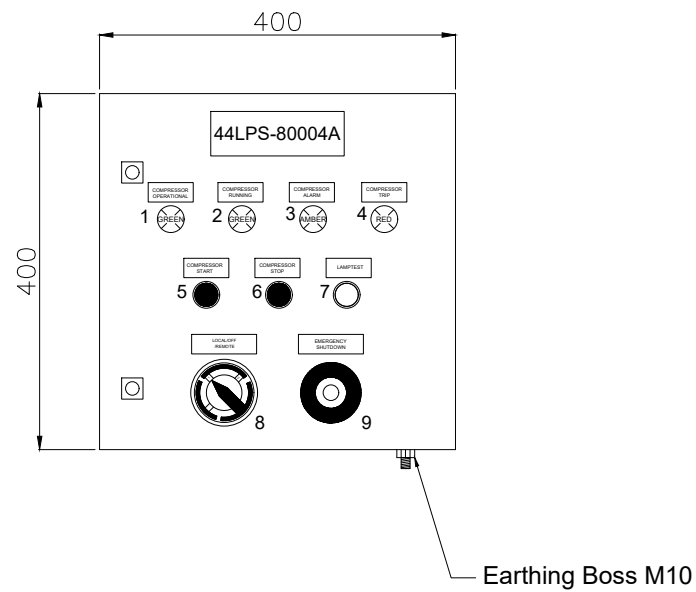
DRAWING TITLE:
PANEL LAYOUT DRAWING
LOCAL CONTROL PANEL 44AJB-80002B

OWNER PROJECT NO.	VENDOR DWG.	MR NO.	VENDOR CODE	DISCIPLINE	UNIT	TYPE	SEQ.
3944	VD	0171	DYP	RE	400	DWG	0003

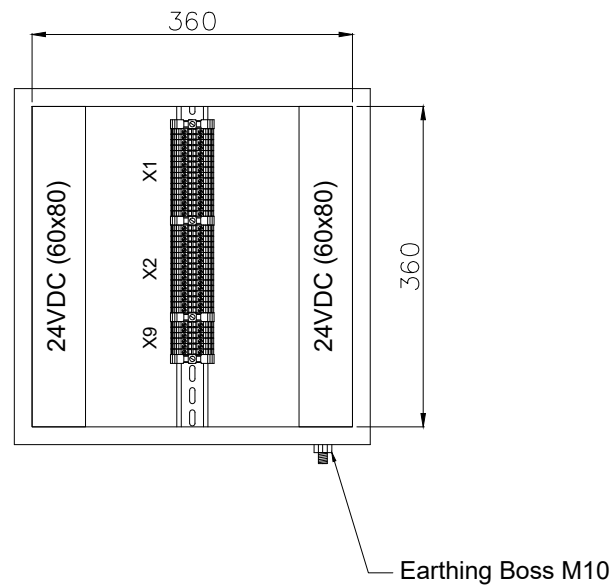
SCALE: NONE SIZE: A0 SHEET NO. 18 OF 33 REV. 00

44LPS-80004A

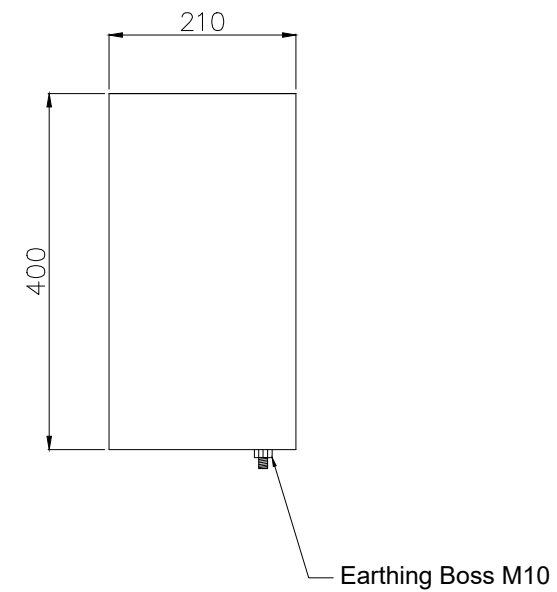
Front Side (Outside) View



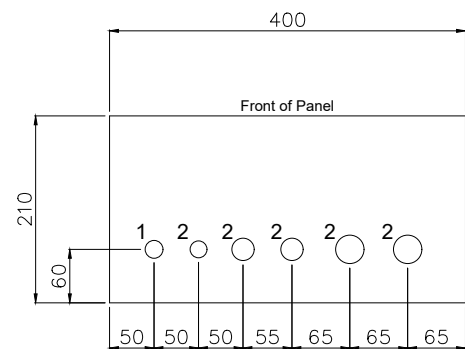
Front Side (Inside) View



Side (Outside) View



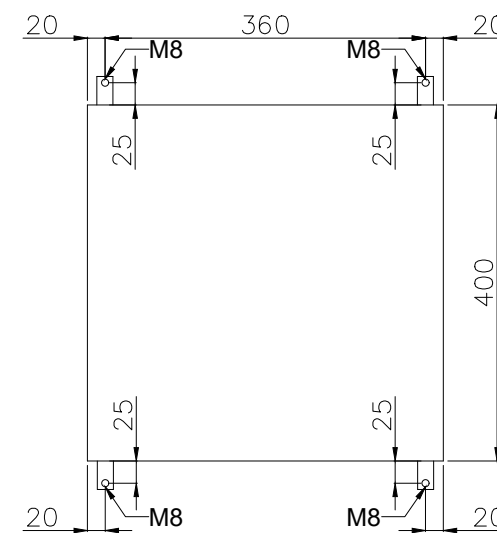
Bottom View



Gland Entry Details

1. M20 - 1x (Breather)
2. M20 - 1x (Spare)
3. M25 - 1x (Cable for ESD Pushbutton)
4. M25 - 1x (Spare)
5. M32 - 1x (Cable for Lamps & Pushbuttons)
6. M32 - 1x (Spare)

Back (Outside) View Mounting Details



GENERAL NOTES

- NOTES
1. PANEL DIMENSIONS: 400x400x210mm
 2. PANEL MATERIAL: SS316L STAINLESS STEEL
 3. AREA CLASSIFICATION: Ex II 3G IIC T3 Eex'e
 4. AMBIENT TEMPERATURE: 5°C/+48°C
 5. INGRESS PROTECTION: IP65
 6. CABLE RACEWAYS SHALL HAVE NO LESS THAN 20% SPARE CAPACITY.
 7. DIN RAIL TYPE: NS35
 8. BLUE SLOTTED CABLE TRUNKING WILL BE PROVIDED FOR INTRINSICALLY SAFE SIGNALS.

REFERENCE DRAWINGS	DWG.No.
xxxx	xxxx

LEGEND

RESULT CODE: AP AN CO RE RESUBMISSION DATE:

NEXT STATUS: IFI IFA IAF ASB/IFIN

Approval or review hereunder shall not be construed to relieve Vendor/ Subcontractor of his responsibilities and liability under the Contract.

P.O. NO.:

M.R. NO.:

ITEM NO. (EQUIPMENT NO.):

VENDRO JOB NO.:

REV.	DATE	PURPOSE OF ISSUE (P.O.I.)	PREP.	CHKD.	APPR.	AC.
00	24/Mar/25	ISSUED FOR APPROVAL		RT	RB	SC

OWNER:



PROJECT:

300 KT POLYETHYLENE PLANT
ARYA SASOL POLYMER COMPANY (ASPC)

MC:



CONTRACTOR:



VENDOR:



DRAWING TITLE:

PANEL LAYOUT DRAWING
LOCAL CONTROL PANEL 44LPS-80004A

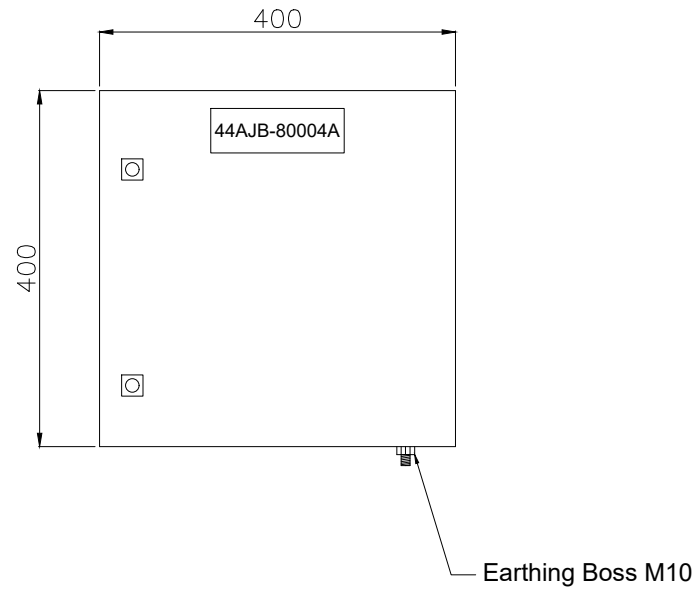
OWNER DOC. NO.

OWNER PROJECT NO.	VENDOR DWG.	MR NO.	VENDOR CODE	DISCIPLINE	UNIT	TYPE	SEQ.
3944	VD	0171	DYP	RE	400	DWG	0003

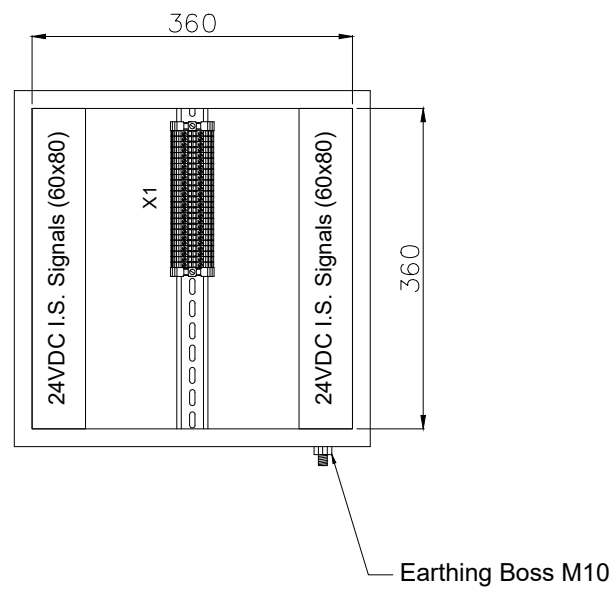
SCALE: NONE SIZE: A0 SHEET NO. 20 OF 33 REV. 00

44AJB-80004A

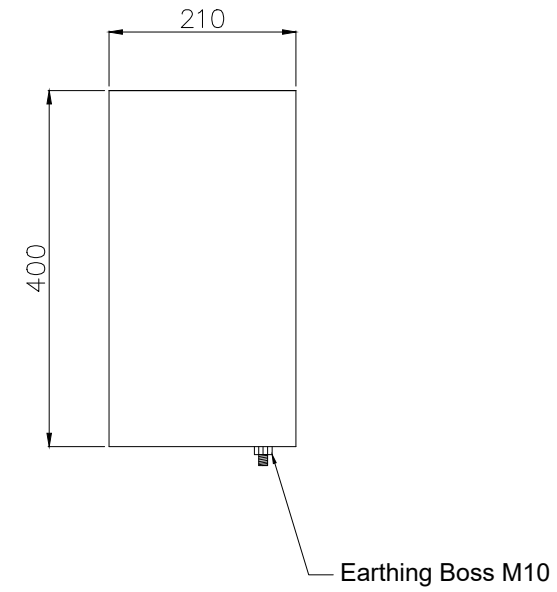
Front Side (Outside) View



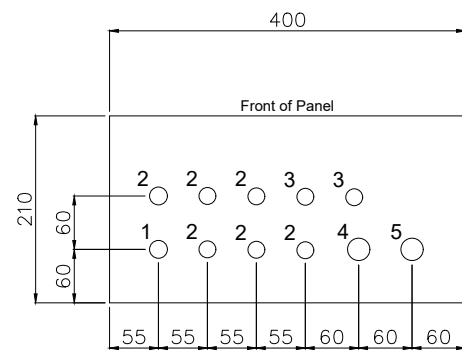
Front Side (Inside) View



Side (Outside) View



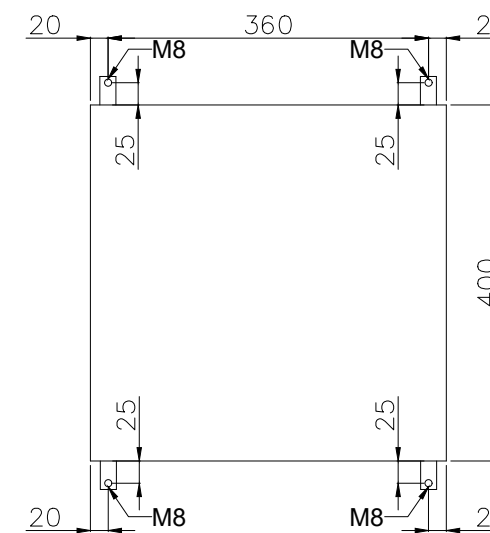
Bottom View



Gland Entry Details

1. M20 - 1x (Breather)
2. M20 - 6x (Cables from Transmitters)
3. M20 - 2x (Spare)
4. M25 - 1x (Multipair Cable from Customer)
5. M25 - 1x (Spare)

Back (Outside) View Mounting Details



GENERAL NOTES

- NOTES
1. PANEL DIMENSIONS: 400x400x210mm
 2. PANEL MATERIAL: SS316L STAINLESS STEEL
 3. AREA CLASSIFICATION: Ex II 3G IIC T3 Eex'e
 4. AMBIENT TEMPERATURE: 5°C/+48°C
 5. INGRESS PROTECTION: IP65
 6. CABLE RACEWAYS SHALL HAVE NO LESS THAN 20% SPARE CAPACITY.
 7. DIN RAIL TYPE: NS35
 8. BLUE SLOTTED CABLE TRUNKING WILL BE PROVIDED FOR INTRINSICALLY SAFE SIGNALS.

REFERENCE DRAWINGS	DWG.No.
xxxx	xxxx

LEGEND

RESULT CODE: AP AN CO RE RESUBMISSION DATE:

NEXT STATUS: IFI IFA JAF ASB/IFIN

Approval or review hereunder shall not be construed to relieve Vendor/ Subcontractor of his responsibilities and liability under the Contract.

P.O. NO.:

M.R. NO.:

ITEM NO. (EQUIPMENT NO.):

VENDRO JOB NO.:

REV.	DATE	PURPOSE OF ISSUE (P.O.I)	PREP.	CHKD.	APPR.	AC.
00	24/Mar/25	ISSUED FOR APPROVAL				

OWNER:



PROJECT:

300 KT POLYETHYLENE PLANT
ARYA SASOL POLYMER COMPANY (ASPC)

MC:



CONTRACTOR:



DRAWING TITLE:
PANEL LAYOUT DRAWING
LOCAL CONTROL PANEL 44AJB-80004A

OWNER DOC. NO.

OWNER PROJECT NO.	VENDOR DWG.	MR NO.	VENDOR CODE	DISCIPLINE	UNIT	TYPE	SEQ.
3944	VD	0171	DYP	RE	400	DWG	0003

SCALE: NONE SIZE: A0 SHEET NO. 21 OF 33 REV. 00

No.	Description	Tag Number	Make	Model	Qty.
1	Operational Indication Lamp (Green)	3H4	Bartec	07-3353-120	1
2	Running Indication Lamp (Green)	3H6	Bartec	07-3353-120	1
3	Alarm Indication Lamp (Amber)	3H8	Bartec	07-3353-130	1
4	Trip Lamp (Red)	3H10	Bartec	07-3353-110	1
5	Start Pushbutton (Green)	2S4	Bartec	07-3353-400	1
6	Stop Pushbutton (Red)	2S6	Bartec	07-3353-400	1
7	Lamp Test Pushbutton (Black)	2S8	Bartec	07-3353-400	1
8	Selector Switch (Local/Off/Remote)	2S10	Bartec	05-0003-001000	1
9	Emergency Shutdown Pushbutton with Protective Cover	4S4	Bartec	05-0003-00 0800	1
Terminal Strip Definition					
X1	Connection Pushbuttons	X1	Phoenix Contact	3044102	16
X2	Connection Lamps	X2	Phoenix Contact	3044102	16
X9	Connection ESD Pushbutton	X9	Phoenix Contact	3044102	6

GENERAL NOTES	
NOTES 1. BILL OF MATERIALS (BOM) AS PER THE LATEST WIRING DIAGRAM.	
REFERENCE DRAWINGS	DWG.No.
xxxx	xxxx

LEGEND	

RESULT CODE: <input type="checkbox"/> AP <input type="checkbox"/> AN <input type="checkbox"/> CO <input type="checkbox"/> RE	RESUBMISSION DATE:
NEXT STATUS: <input type="checkbox"/> IFI <input type="checkbox"/> IFA <input type="checkbox"/> AFC <input type="checkbox"/> ASB/IFIN	
Approval or review hereunder shall not be construed to relieve Vendor/ Subcontractor of his responsibilities and liability under the Contract.	
P.O. NO.:	
M.R. NO.:	
ITEM NO. (EQUIPMENT NO.):	
VENDRO JOB NO.:	

REV.	DATE	PURPOSE OF ISSUE (P.O.I.)	PREP.	CHKD.	APPR.	AC.
00	24/Mar/25	ISSUED FOR APPROVAL	RT	RB	SC	-



PROJECT:
300 KT POLYETHYLENE PLANT
ARYA SASOL POLYMER COMPANY (ASPC)



DRAWING TITLE:
PANEL LAYOUT DRAWING
BILL OF MATERIALS FOR
LOCAL CONTROL PANEL 44LPS-80004B

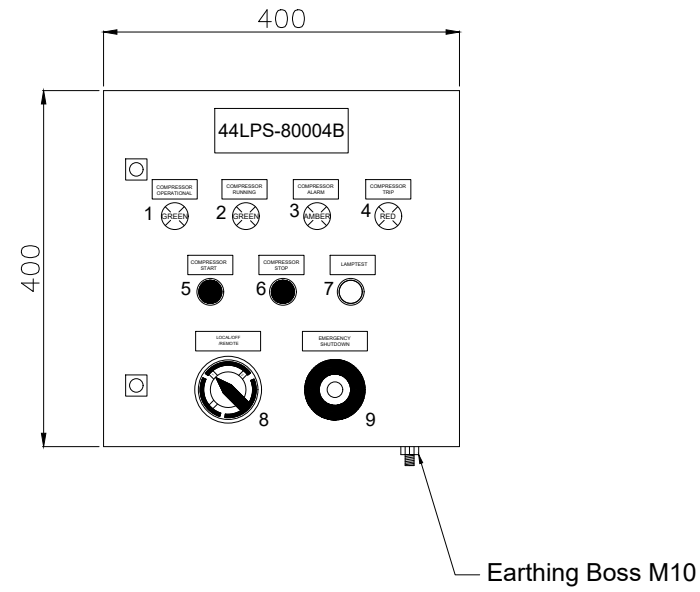
OWNER	PROJECT NO.	VENDOR DWG.	MR NO.	VENDOR CODE	DISCIPLINE	UNIT	TYPE	SEQ.
3944	VD	0171	DYP	RE	400	DWG	0003	

SCALE: NONE SIZE: A0 SHEET NO. 22 OF 33 REV. 00

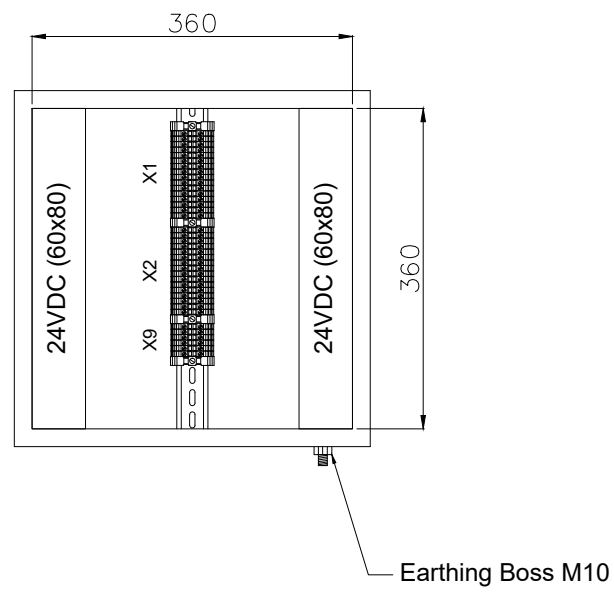
THIS DOCUMENT WITH ALL ITS RIGHTS IS THE PROPERTY OF A.S.P.C. AND MUST BE KEPT IN CONFIDENCE. NO DISCLOSURE, REPRODUCTION OR OTHER USE OF THE DOCUMENT IN WHOLE OR A PORTIONS TO BE MADE WITHOUT THE PRIOR CONSENT OF A.S.P.C.

44LPS-80004B

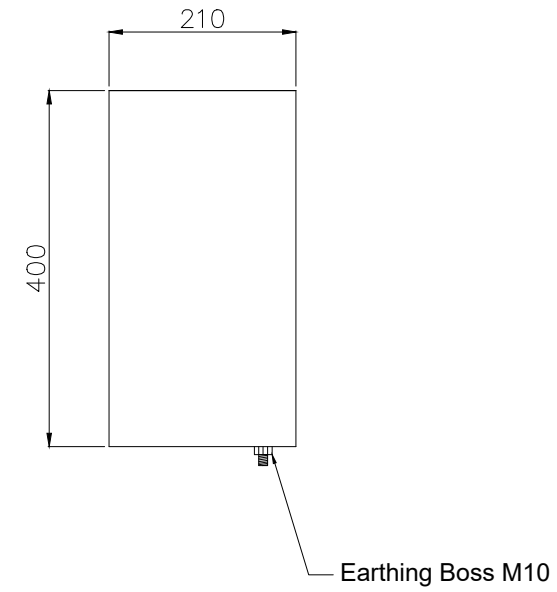
Front Side (Outside) View



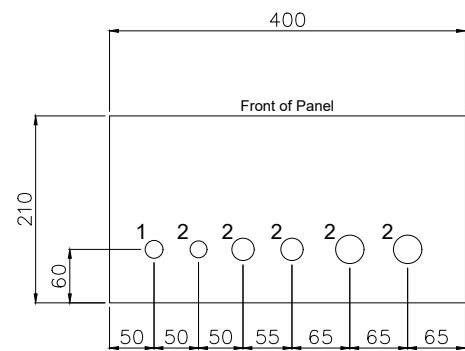
Front Side (Inside) View



Side (Outside) View



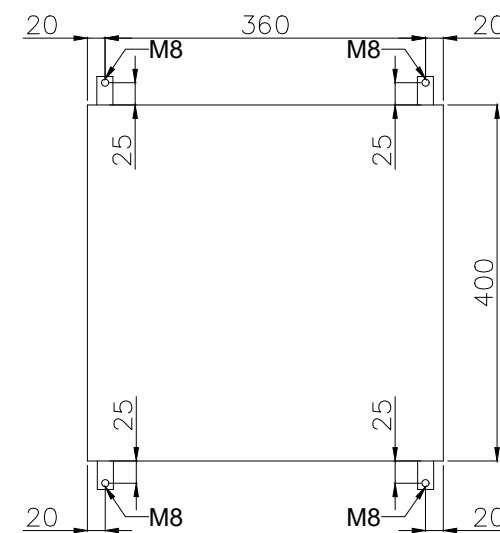
Bottom View



Gland Entry Details

1. M20 - 1x (Breather)
2. M20 - 1x (Spare)
3. M25 - 1x (Cable for ESD Pushbutton)
4. M25 - 1x (Spare)
5. M32 - 1x (Cable for Lamps & Pushbuttons)
6. M32 - 1x (Spare)

Back (Outside) View Mounting Details



GENERAL NOTES

- NOTES
1. PANEL DIMENSIONS: 400x400x210mm
 2. PANEL MATERIAL: SS316L STAINLESS STEEL
 3. AREA CLASSIFICATION: Ex II 3G IIC T3 Eex'e
 4. AMBIENT TEMPERATURE: 5°C/+48°C
 5. INGRESS PROTECTION: IP65
 6. CABLE RACEWAYS SHALL HAVE NO LESS THAN 20% SPARE CAPACITY.
 7. DIN RAIL TYPE: NS35
 8. BLUE SLOTTED CABLE TRUNKING WILL BE PROVIDED FOR INTRINSICALLY SAFE SIGNALS.

REFERENCE DRAWINGS	DWG.No.
xxxx	xxxx

LEGEND

RESULT CODE: AP AN CO RE RESUBMISSION DATE:

NEXT STATUS: IFI IFA IAF ASB/IFIN

Approval or review hereunder shall not be construed to relieve Vendor/ Subcontractor of his responsibilities and liability under the Contract.

P.O. NO.:

M.R. NO.:

ITEM NO. (EQUIPMENT NO.):

VENDRO JOB NO.:

REV.	DATE	PURPOSE OF ISSUE (P.O.I.)	PREP.	CHKD.	APPR.	AC.
00	24/Mar/25	ISSUED FOR APPROVAL				

OWNER:



PROJECT:

300 KT POLYETHYLENE PLANT
ARYA SASOL POLYMER COMPANY (ASPC)

MC:



CONTRACTOR:



VENDOR:



DRAWING TITLE:

PANEL LAYOUT DRAWING
LOCAL CONTROL PANEL 44LPS-80004B

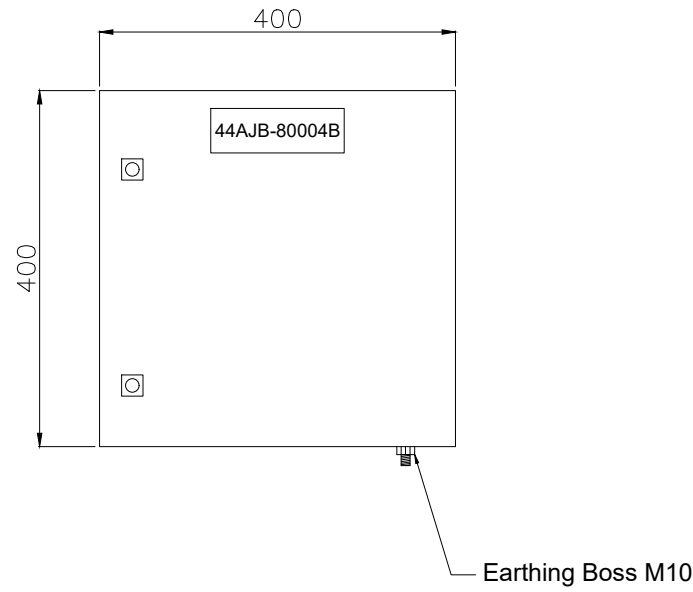
OWNER DOC. NO.

OWNER PROJECT NO.	VENDOR DWG.	MR NO.	VENDOR CODE	DISCIPLINE	UNIT	TYPE	SEQ.
3944	VD	0171	DYP	RE	400	DWG	0003

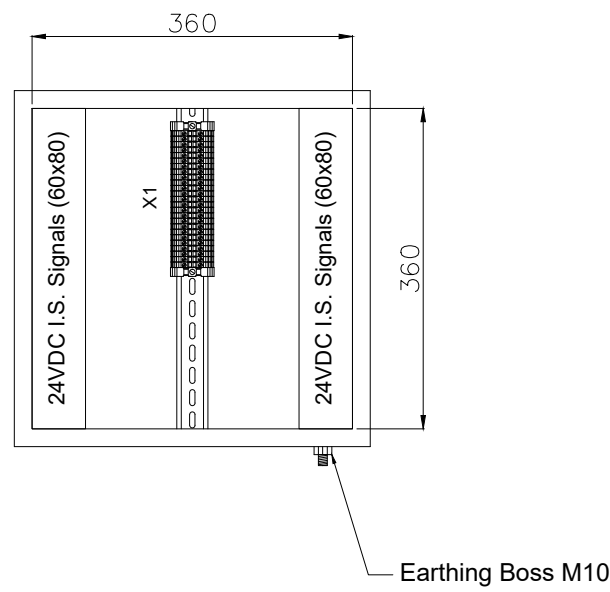
SCALE: NONE SIZE: A0 SHEET NO. 23 OF 33 REV. 00

44AJB-80004B

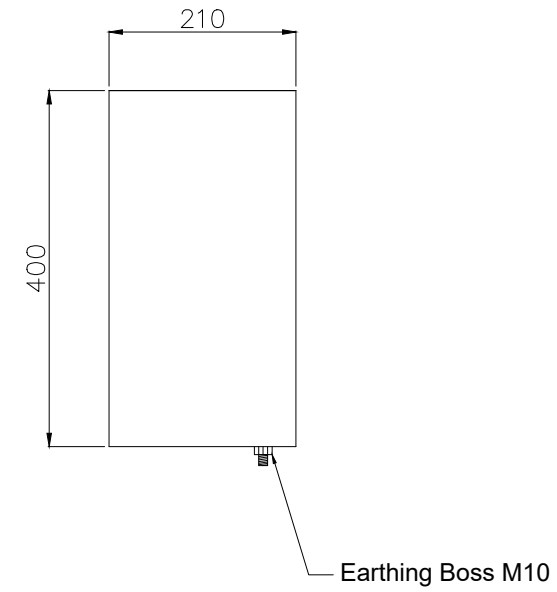
Front Side (Outside) View



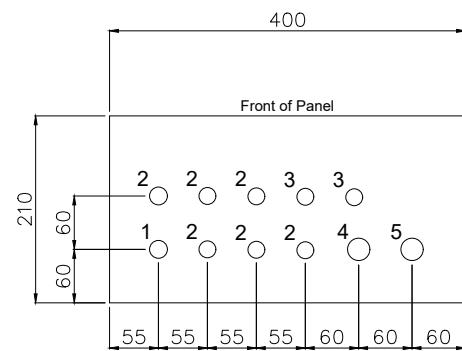
Front Side (Inside) View



Side (Outside) View



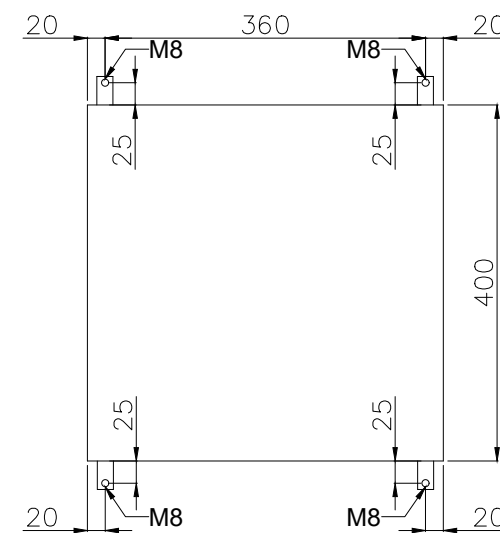
Bottom View



Gland Entry Details

1. M20 - 1x (Breather)
2. M20 - 6x (Cables from Transmitters)
3. M20 - 2x (Spare)
4. M25 - 1x (Multipair Cable from Customer)
5. M25 - 1x (Spare)

Back (Outside) View Mounting Details



GENERAL NOTES

- NOTES
1. PANEL DIMENSIONS: 400x400x210mm
 2. PANEL MATERIAL: SS316L STAINLESS STEEL
 3. AREA CLASSIFICATION: Ex II 3G IIC T3 Eex'e
 4. AMBIENT TEMPERATURE: 5°C/+48°C
 5. INGRESS PROTECTION: IP65
 6. CABLE RACEWAYS SHALL HAVE NO LESS THAN 20% SPARE CAPACITY.
 7. DIN RAIL TYPE: NS35
 8. BLUE SLOTTED CABLE TRUNKING WILL BE PROVIDED FOR INTRINSICALLY SAFE SIGNALS.

REFERENCE DRAWINGS	DWG.No.
xxxx	xxxx

LEGEND

RESULT CODE: AP AN CO RE RESUBMISSION DATE:

NEXT STATUS: IFI IFA IAF ASB/IFIN

Approval or review hereunder shall not be construed to relieve Vendor/ Subcontractor of his responsibilities and liability under the Contract.

P.O. NO.:

M.R. NO.:

ITEM NO. (EQUIPMENT NO.):

VENDRO JOB NO.:

REV.	DATE	PURPOSE OF ISSUE (P.O.I.)	PREP.	CHKD.	APPR.	AC.
00	24/Mar/25	ISSUED FOR APPROVAL				

OWNER:



PROJECT:

300 KT POLYETHYLENE PLANT
ARYA SASOL POLYMER COMPANY (ASPC)

MC:



CONTRACTOR:



VENDOR:

DYPNF

DRAWING TITLE:
PANEL LAYOUT DRAWING
LOCAL CONTROL PANEL 44AJB-80004B

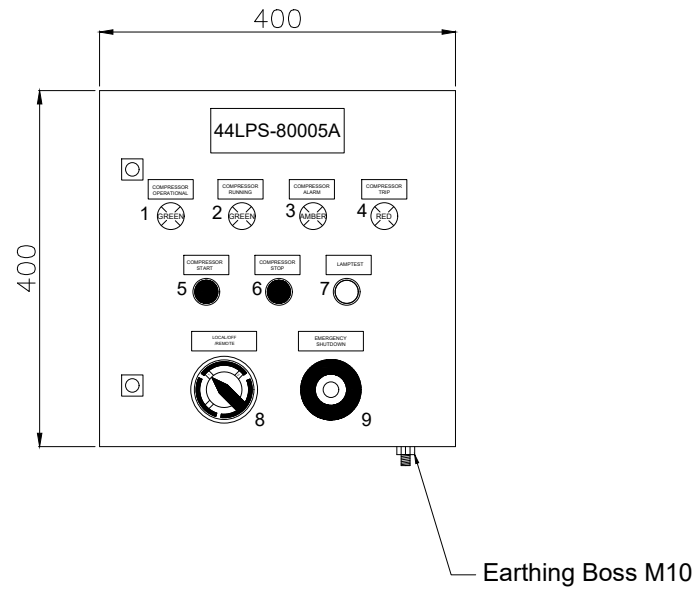
OWNER DOC. NO.

OWNER PROJECT NO.	VENDOR DWG.	MR NO.	VENDOR CODE	DISCIPLINE	UNIT	TYPE	SEQ.
3944	VD	0171	DYP	RE	400	DWG	0003

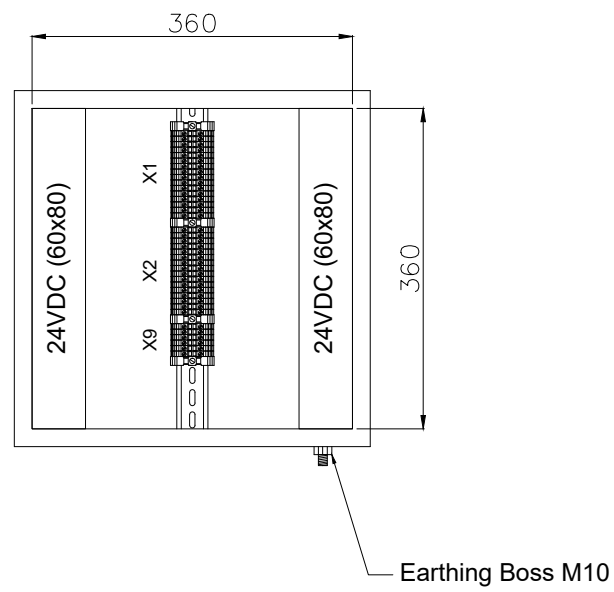
SCALE: NONE SIZE: A0 SHEET NO. 24 OF 33 REV. 00

44LPS-80005A

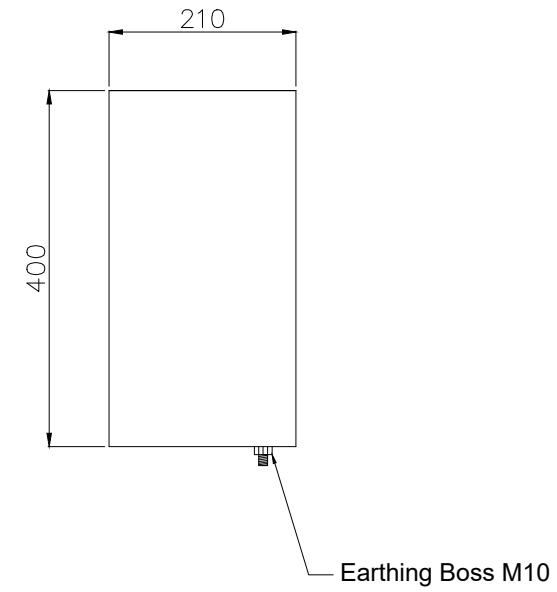
Front Side (Outside) View



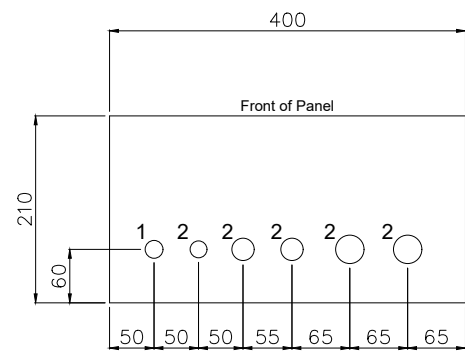
Front Side (Inside) View



Side (Outside) View



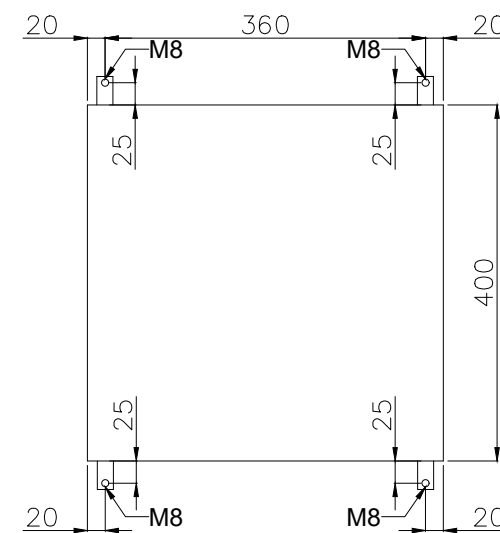
Bottom View



Gland Entry Details

1. M20 - 1x (Breather)
2. M20 - 1x (Spare)
3. M25 - 1x (Cable for ESD Pushbutton)
4. M25 - 1x (Spare)
5. M32 - 1x (Cable for Lamps & Pushbuttons)
6. M32 - 1x (Spare)

Back (Outside) View Mounting Details



GENERAL NOTES

- NOTES
1. PANEL DIMENSIONS: 400x400x210mm
 2. PANEL MATERIAL: SS316L STAINLESS STEEL
 3. AREA CLASSIFICATION: Ex II 3G IIC T3 Eex'e
 4. AMBIENT TEMPERATURE: 5°C/+48°C
 5. INGRESS PROTECTION: IP65
 6. CABLE RACEWAYS SHALL HAVE NO LESS THAN 20% SPARE CAPACITY.
 7. DIN RAIL TYPE: NS35
 8. BLUE SLOTTED CABLE TRUNKING WILL BE PROVIDED FOR INTRINSICALLY SAFE SIGNALS.

REFERENCE DRAWINGS	DWG.No.
xxxx	xxxx

LEGEND

RESULT CODE: AP AN CO RE RESUBMISSION DATE:

NEXT STATUS: IFI IFA IAF ASB/IFIN

Approval or review hereunder shall not be construed to relieve Vendor/ Subcontractor of his responsibilities and liability under the Contract.

P.O. NO.:

M.R. NO.:

ITEM NO. (EQUIPMENT NO.):

VENDRO JOB NO.:

REV.	DATE	PURPOSE OF ISSUE (P.O.I.)	PREP.	CHKD.	APPR.	AC.
00	24/Mar/25	ISSUED FOR APPROVAL				

OWNER:



PROJECT:

300 KT POLYETHYLENE PLANT
ARYA SASOL POLYMER COMPANY (ASPC)

MC:



CONTRACTOR:



VENDOR:



DRAWING TITLE:
PANEL LAYOUT DRAWING
LOCAL CONTROL PANEL 44LPS-80005A

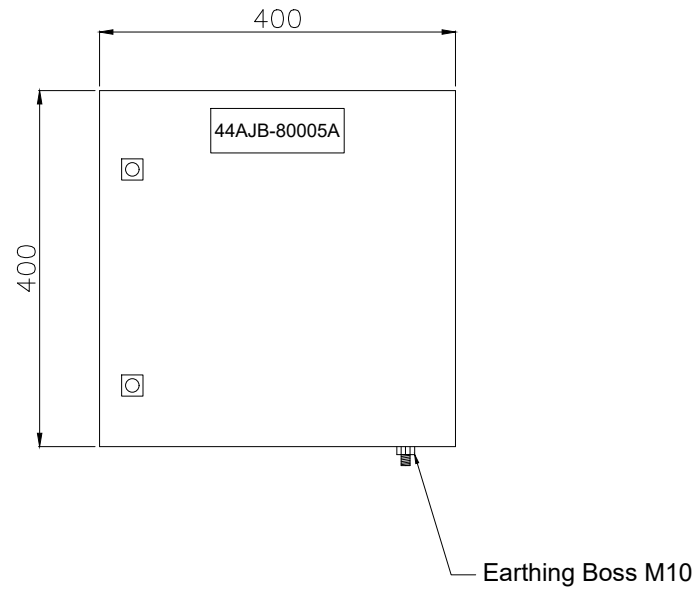
OWNER DOC. NO.

OWNER PROJECT NO.	VENDOR DWG.	MR NO.	VENDOR CODE	DISCIPLINE	UNIT	TYPE	SEQ.
3944	VD	0171	DYP	RE	400	DWG	0003

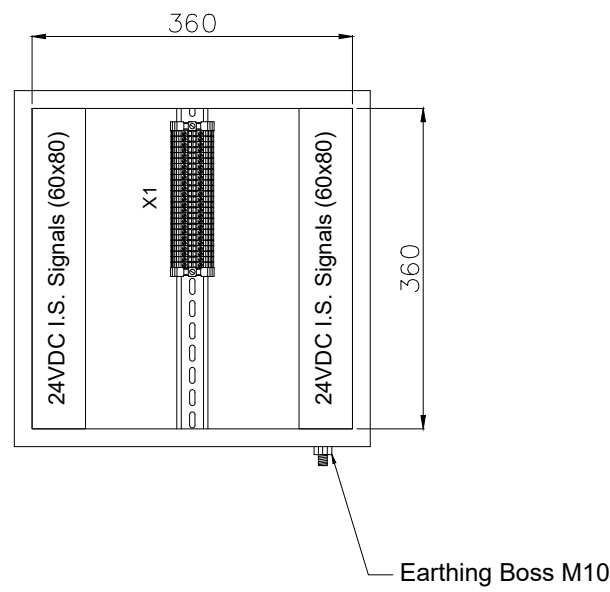
SCALE: NONE SIZE: A0 SHEET NO. 26 OF 33 REV. 00

44AJB-80005A

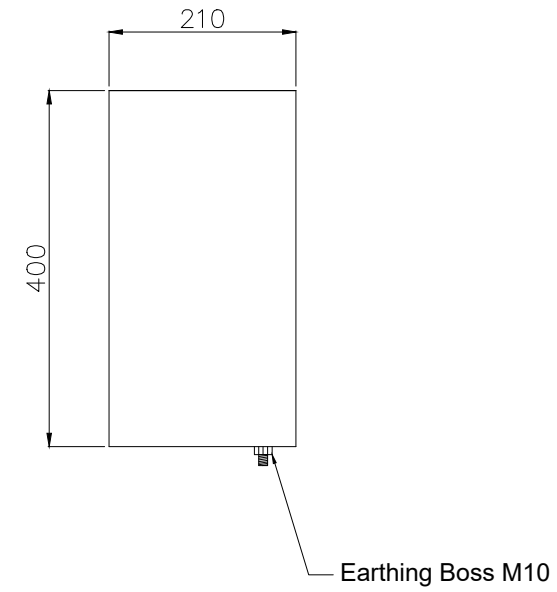
Front Side (Outside) View



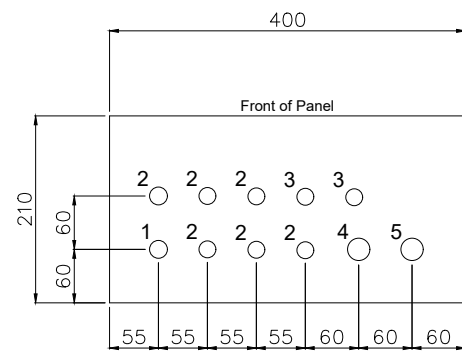
Front Side (Inside) View



Side (Outside) View



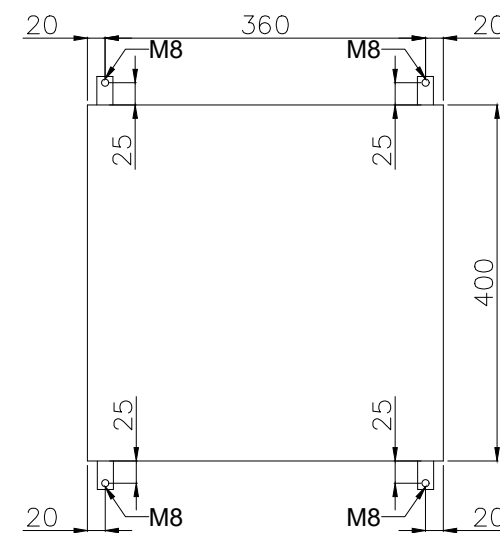
Bottom View



Gland Entry Details

1. M20 - 1x (Breather)
2. M20 - 6x (Cables from Transmitters)
3. M20 - 2x (Spare)
4. M25 - 1x (Multipair Cable from Customer)
5. M25 - 1x (Spare)

Back (Outside) View Mounting Details



GENERAL NOTES

- NOTES
1. PANEL DIMENSIONS: 400x400x210mm
 2. PANEL MATERIAL: SS316L STAINLESS STEEL
 3. AREA CLASSIFICATION: Ex II 3G IIC T3 Eex'e
 4. AMBIENT TEMPERATURE: 5°C/+48°C
 5. INGRESS PROTECTION: IP65
 6. CABLE RACEWAYS SHALL HAVE NO LESS THAN 20% SPARE CAPACITY.
 7. DIN RAIL TYPE: NS35
 8. BLUE SLOTTED CABLE TRUNKING WILL BE PROVIDED FOR INTRINSICALLY SAFE SIGNALS.

REFERENCE DRAWINGS	DWG.No.
xxxx	xxxx

LEGEND

RESULT CODE: AP AN CO RE RESUBMISSION DATE:

NEXT STATUS: IFI IFA IAF ASB/IFIN

Approval or review hereunder shall not be construed to relieve Vendor/ Subcontractor of his responsibilities and liability under the Contract.

P.O. NO.:

M.R. NO.:

ITEM NO. (EQUIPMENT NO.):

VENDRO JOB NO.:

REV.	DATE	PURPOSE OF ISSUE (P.O.I.)	PREP.	CHKD.	APPR.	AC.
00	24/Mar/25	ISSUED FOR APPROVAL				

OWNER:



PROJECT:
300 KT POLYETHYLENE PLANT
ARYA SASOL POLYMER COMPANY (ASPC)

MC:
ISBEDCO
گروه صنعتی پتروشیمی

CONTRACTOR: SAZEH CONSULTANTS
VENDOR: DYPNF

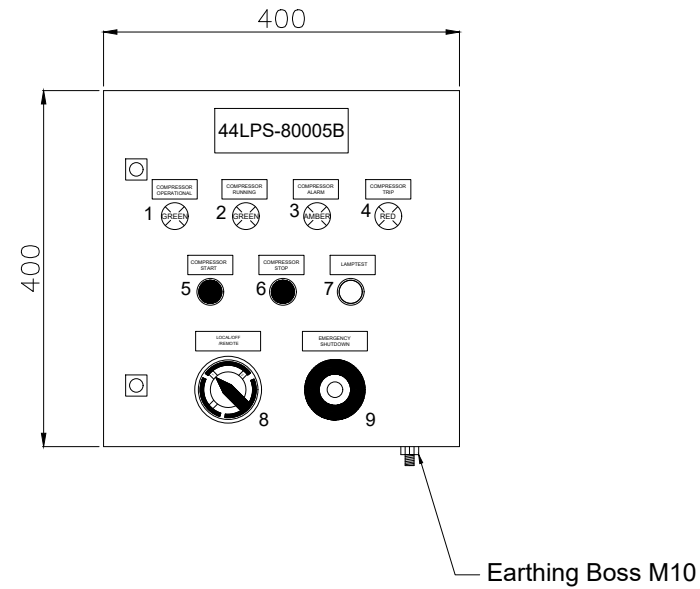
DRAWING TITLE:
PANEL LAYOUT DRAWING
LOCAL CONTROL PANEL 44AJB-80005A

OWNER PROJECT NO.	VENDOR DWG.	MR NO.	VENDOR CODE	DISCIPLINE	UNIT	TYPE	SEQ.
3944	VD	0171	DYP	RE	400	DWG	0003

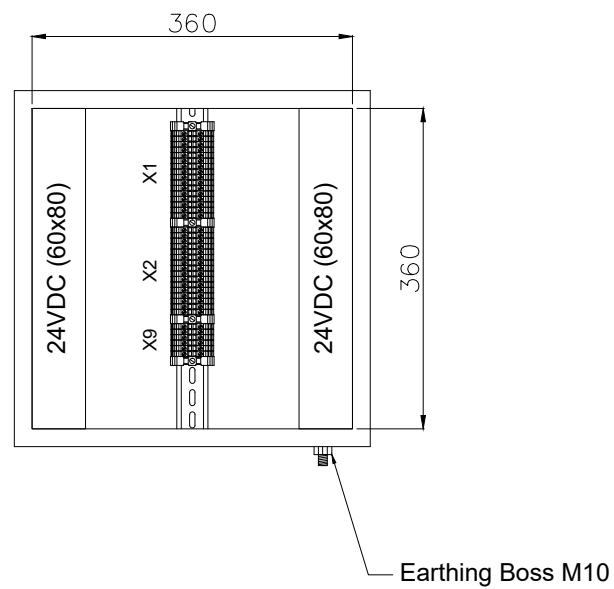
SCALE: NONE SIZE: A0 SHEET NO. 27 OF 33 REV. 00

44LPS-80005B

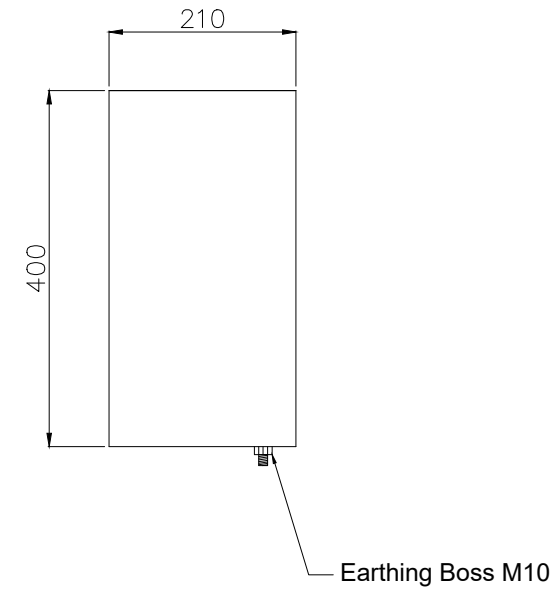
Front Side (Outside) View



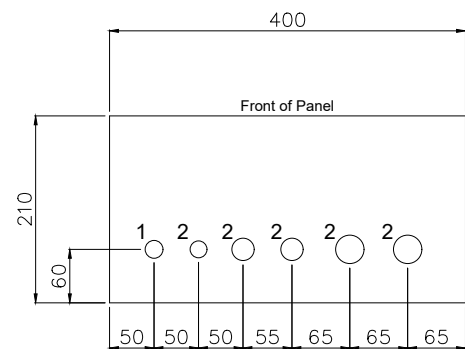
Front Side (Inside) View



Side (Outside) View



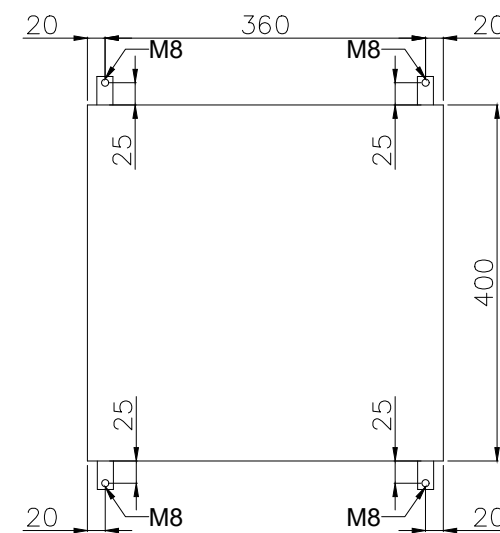
Bottom View



Gland Entry Details

1. M20 - 1x (Breather)
2. M20 - 1x (Spare)
3. M25 - 1x (Cable for ESD Pushbutton)
4. M25 - 1x (Spare)
5. M32 - 1x (Cable for Lamps & Pushbuttons)
6. M32 - 1x (Spare)

Back (Outside) View Mounting Details



GENERAL NOTES

- NOTES
1. PANEL DIMENSIONS: 400x400x210mm
 2. PANEL MATERIAL: SS316L STAINLESS STEEL
 3. AREA CLASSIFICATION: Ex II 3G IIC T3 Eex'e
 4. AMBIENT TEMPERATURE: 5°C/+48°C
 5. INGRESS PROTECTION: IP65
 6. CABLE RACEWAYS SHALL HAVE NO LESS THAN 20% SPARE CAPACITY.
 7. DIN RAIL TYPE: NS35
 8. BLUE SLOTTED CABLE TRUNKING WILL BE PROVIDED FOR INTRINSICALLY SAFE SIGNALS.

REFERENCE DRAWINGS	DWG.No.
xxxx	xxxx

LEGEND

RESULT CODE: AP AN CO RE RESUBMISSION DATE:

NEXT STATUS: IFI IFA IAF ASB/IFIN

Approval or review hereunder shall not be construed to relieve Vendor/ Subcontractor of his responsibilities and liability under the Contract.

P.O. NO.:

M.R. NO.:

ITEM NO. (EQUIPMENT NO.):

VENDRO JOB NO.:

REV.	DATE	PURPOSE OF ISSUE (P.O.I.)	PREP.	CHKD.	APPR.	AC.
00	24/Mar/25	ISSUED FOR APPROVAL		RT	RB	SC

OWNER:



PROJECT:
300 KT POLYETHYLENE PLANT
ARYA SASOL POLYMER COMPANY (ASPC)

MC:
ISBEDCO
SAZEH CONSULTANTS

CONTRACTOR: SAZEH CONSULTANTS
VENDOR: DYPNF

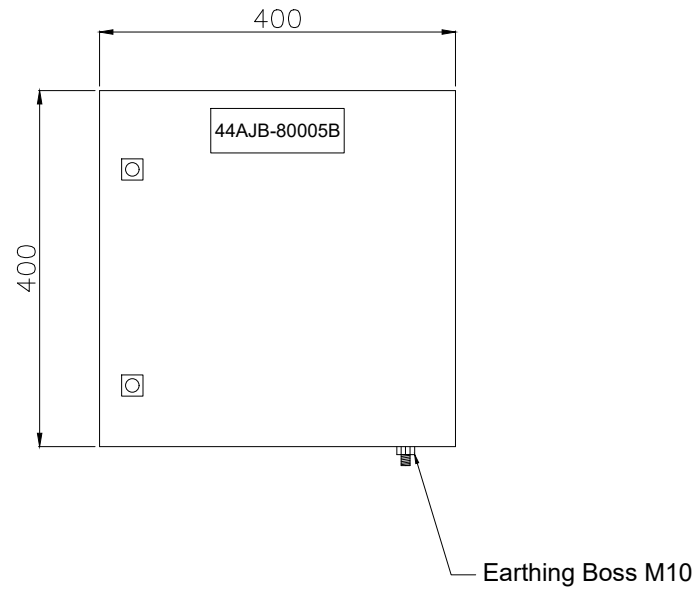
DRAWING TITLE:
PANEL LAYOUT DRAWING
LOCAL CONTROL PANEL 44LPS-80005B

OWNER PROJECT NO.	VENDOR DWG.	MR NO.	VENDOR CODE	DISCIPLINE	UNIT	TYPE	SEQ.
3944	VD	0171	DYP	RE	400	DWG	0003

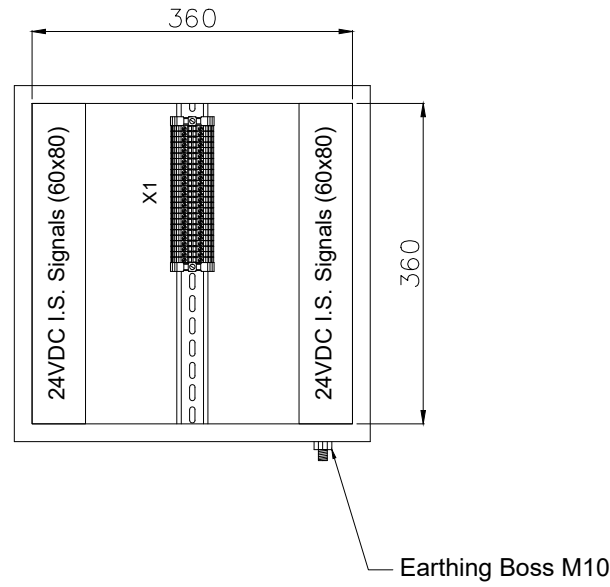
SCALE: NONE SIZE: A0 SHEET NO. 29 OF 33 REV. 00

44AJB-80005B

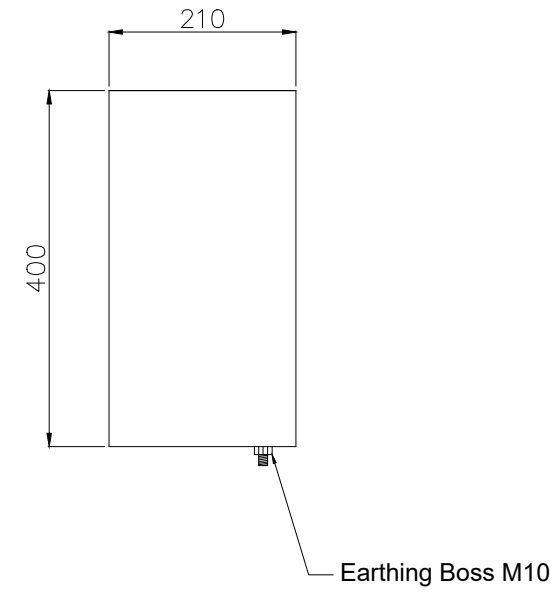
Front Side (Outside) View



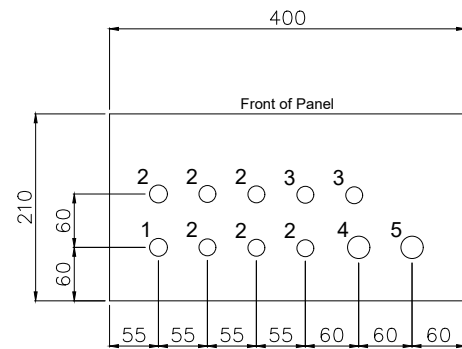
Front Side (Inside) View



Side (Outside) View



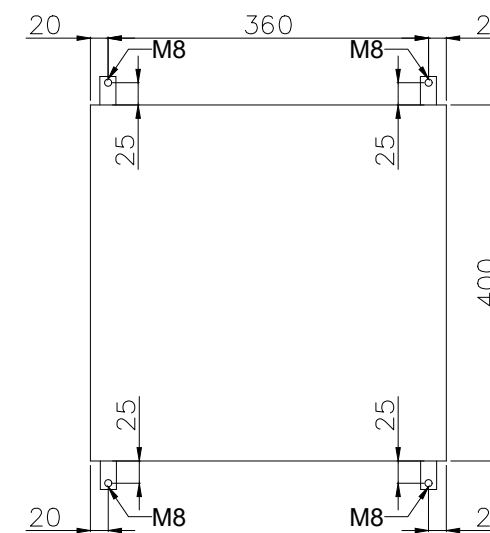
Bottom View



Gland Entry Details

1. M20 - 1x (Breather)
2. M20 - 6x (Cables from Transmitters)
3. M20 - 2x (Spare)
4. M25 - 1x (Multipair Cable from Customer)
5. M25 - 1x (Spare)

Back (Outside) View Mounting Details



GENERAL NOTES

- NOTES
1. PANEL DIMENSIONS: 400x400x210mm
 2. PANEL MATERIAL: SS316L STAINLESS STEEL
 3. AREA CLASSIFICATION: Ex II 3G IIC T3 Eex'e
 4. AMBIENT TEMPERATURE: 5°C/+48°C
 5. INGRESS PROTECTION: IP65
 6. CABLE RACEWAYS SHALL HAVE NO LESS THAN 20% SPARE CAPACITY.
 7. DIN RAIL TYPE: NS35
 8. BLUE SLOTTED CABLE TRUNKING WILL BE PROVIDED FOR INTRINSICALLY SAFE SIGNALS.

REFERENCE DRAWINGS	DWG.No.
xxxx	xxxx

LEGEND

RESULT CODE: AP AN CO RE RESUBMISSION DATE:

NEXT STATUS: IFI IFA IAF ASB/IFIN

Approval or review hereunder shall not be construed to relieve Vendor/ Subcontractor of his responsibilities and liability under the Contract.

P.O. NO.:

M.R. NO.:

ITEM NO. (EQUIPMENT NO.):

VENDRO JOB NO.:

REV.	DATE	PURPOSE OF ISSUE (P.O.I.)	PREP.	CHKD.	APPR.	AC.
00	24/Mar/25	ISSUED FOR APPROVAL				

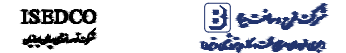
OWNER:



PROJECT:

300 KT POLYETHYLENE PLANT
ARYA SASOL POLYMER COMPANY (ASPC)

MC:



CONTRACTOR:



DRAWING TITLE:

PANEL LAYOUT DRAWING
LOCAL CONTROL PANEL 44AJB-80005B

OWNER DOC. NO.

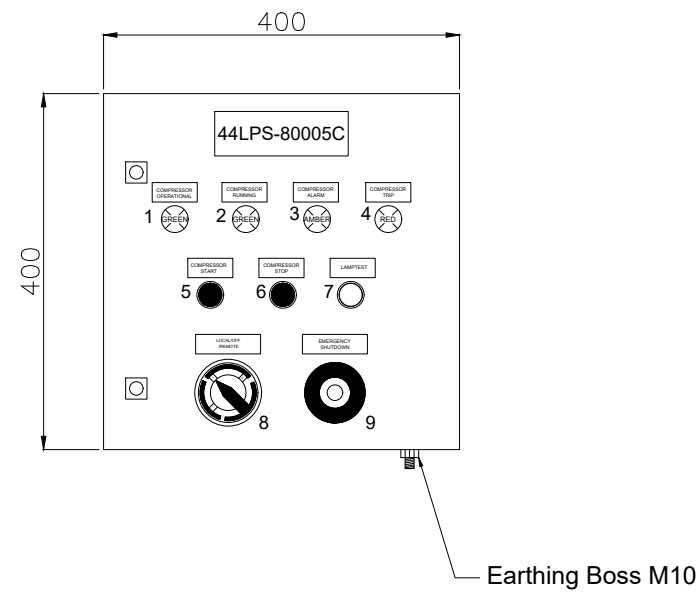
OWNER PROJECT NO. VENDOR DWG. MR NO. VENDOR CODE DISCIPLINE UNIT TYPE SEQ.

3944 VD 0171 DYP RE 400 DWG 0003

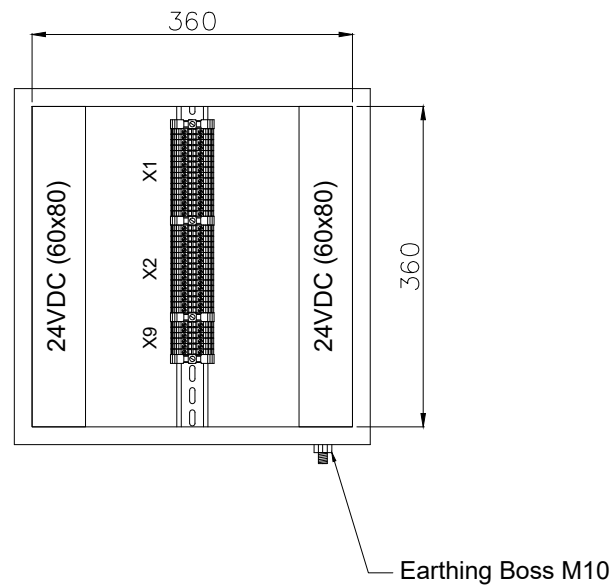
SCALE: NONE SIZE: A0 SHEET NO. 30 OF 33 REV. 00

44LPS-80005C

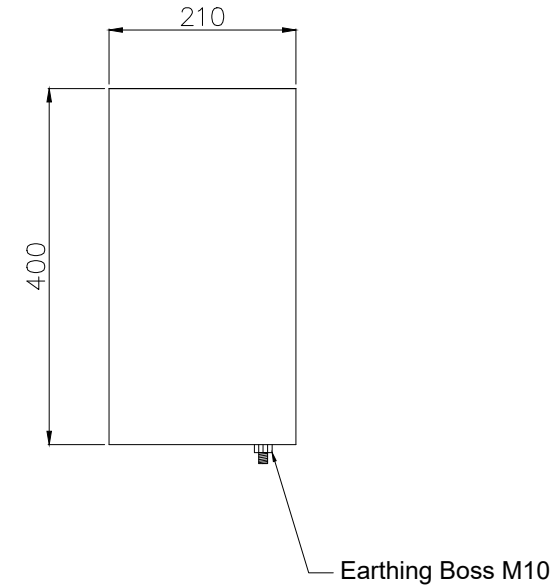
Front Side (Outside) View



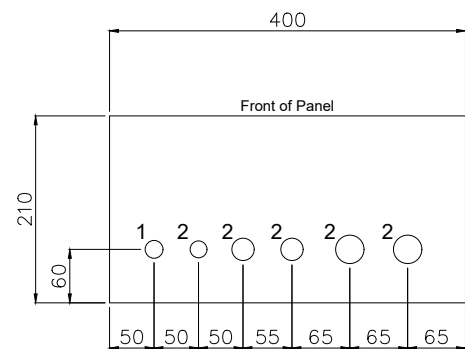
Front Side (Inside) View



Side (Outside) View



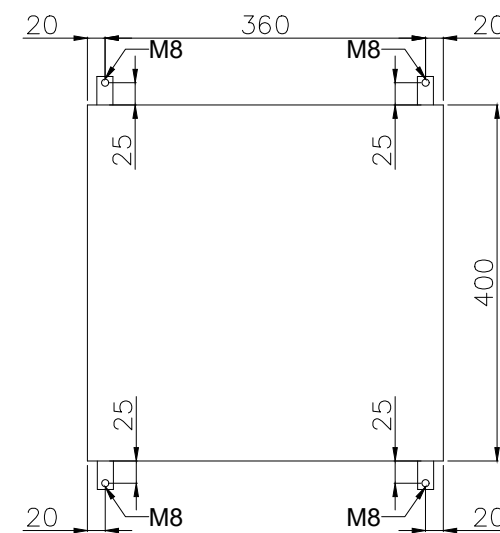
Bottom View



Gland Entry Details

1. M20 - 1x (Breather)
2. M20 - 1x (Spare)
3. M25 - 1x (Cable for ESD Pushbutton)
4. M25 - 1x (Spare)
5. M32 - 1x (Cable for Lamps & Pushbuttons)
6. M32 - 1x (Spare)

Back (Outside) View Mounting Details



GENERAL NOTES

- NOTES
1. PANEL DIMENSIONS: 400x400x210mm
 2. PANEL MATERIAL: SS316L STAINLESS STEEL
 3. AREA CLASSIFICATION: Ex II 3G IIC T3 Eex'e
 4. AMBIENT TEMPERATURE: 5°C/+48°C
 5. INGRESS PROTECTION: IP65
 6. CABLE RACEWAYS SHALL HAVE NO LESS THAN 20% SPARE CAPACITY.
 7. DIN RAIL TYPE: NS35
 8. BLUE SLOTTED CABLE TRUNKING WILL BE PROVIDED FOR INTRINSICALLY SAFE SIGNALS.

REFERENCE DRAWINGS	DWG.No.
xxxx	xxxx

LEGEND

RESULT CODE: AP AN CO RE RESUBMISSION DATE:

NEXT STATUS: IFI IFA IAF ASB/IFIN

Approval or review hereunder shall not be construed to relieve Vendor/ Subcontractor of his responsibilities and liability under the Contract.

P.O. NO.:

M.R. NO.:

ITEM NO. (EQUIPMENT NO.):

VENDRO JOB NO.:

REV.	DATE	PURPOSE OF ISSUE (P.O.I.)	PREP.	CHKD.	APPR.	AC.
00	24/Mar/25	ISSUED FOR APPROVAL		RT	RB	SC

OWNER:



PROJECT:

300 KT POLYETHYLENE PLANT
ARYA SASOL POLYMER COMPANY (ASPC)

MC:



CONTRACTOR:



VENDOR:



DRAWING TITLE:

PANEL LAYOUT DRAWING
LOCAL CONTROL PANEL 44LPS-80005C

OWNER DOC. NO.

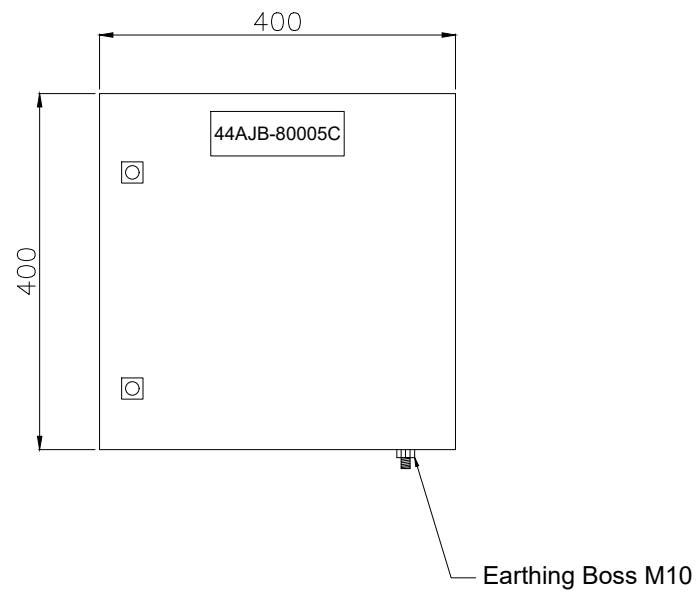
OWNER PROJECT NO.	VENDOR DWG.	MR NO.	VENDOR CODE	DISCIPLINE	UNIT	TYPE	SEQ.
3944	VD	0171	DYP	RE	400	DWG	0003

SCALE: NONE SIZE: A0 SHEET NO. 32 OF 33 REV. 00

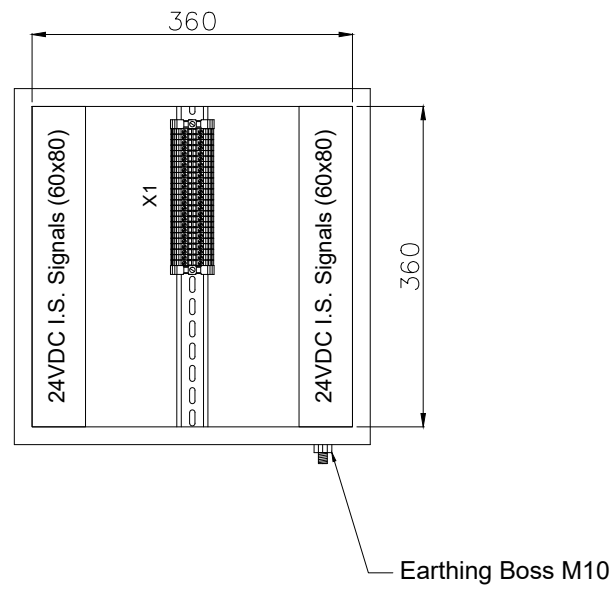
THIS DOCUMENT WITH ALL ITS RIGHTS IS THE PROPERTY OF A.S.P.C. AND MUST BE HELD IN CONFIDENCE. NO DISCLOSURE, REPRODUCTION OR OTHER USE OF THE DOCUMENT IN WHOLE OR A PORTION IS TO BE MADE WITHOUT THE PRIOR CONSENT OF A.S.P.C.

44AJB-80005C

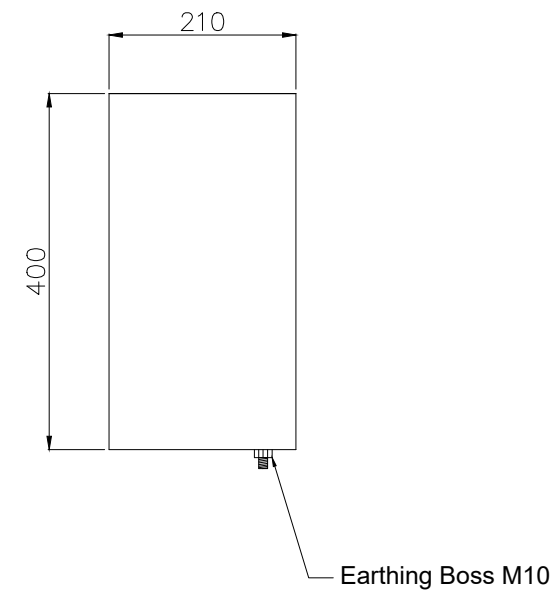
Front Side (Outside) View



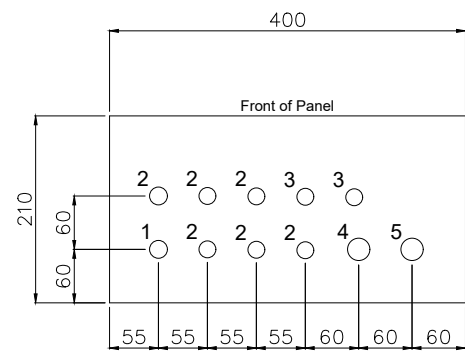
Front Side (Inside) View



Side (Outside) View



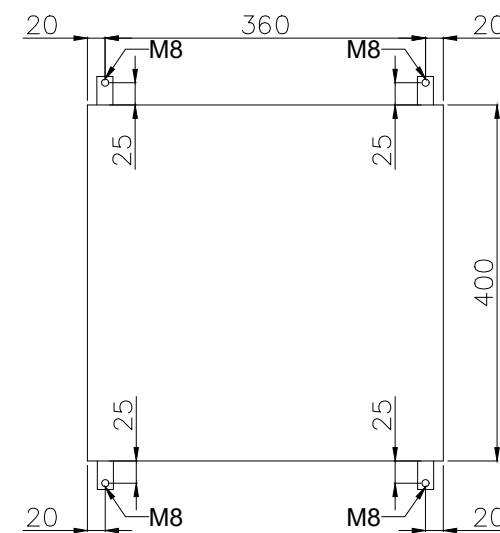
Bottom View



Gland Entry Details

1. M20 - 1x (Breather)
2. M20 - 6x (Cables from Transmitters)
3. M20 - 2x (Spare)
4. M25 - 1x (Multipair Cable from Customer)
5. M25 - 1x (Spare)

Back (Outside) View Mounting Details



GENERAL NOTES

- NOTES
1. PANEL DIMENSIONS: 400x400x210mm
 2. PANEL MATERIAL: SS316L STAINLESS STEEL
 3. AREA CLASSIFICATION: Ex II 3G IIC T3 Eex'e
 4. AMBIENT TEMPERATURE: 5°C/+48°C
 5. INGRESS PROTECTION: IP65
 6. CABLE RACEWAYS SHALL HAVE NO LESS THAN 20% SPARE CAPACITY.
 7. DIN RAIL TYPE: NS35
 8. BLUE SLOTTED CABLE TRUNKING WILL BE PROVIDED FOR INTRINSICALLY SAFE SIGNALS.

REFERENCE DRAWINGS	DWG.No.
xxxx	xxxx

LEGEND

RESULT CODE: AP AN CO RE RESUBMISSION DATE:

NEXT STATUS: IFI IFA IAF ASB/IFIN

Approval or review hereunder shall not be construed to relieve Vendor/ Subcontractor of his responsibilities and liability under the Contract.

P.O. NO.:

M.R. NO.:

ITEM NO. (EQUIPMENT NO.):

VENDRO JOB NO.:

REV.	DATE	PURPOSE OF ISSUE (P.O.I)	PREP.	CHKD.	APPR.	AC.
00	24/Mar/25	ISSUED FOR APPROVAL				

OWNER:



PROJECT:

300 KT POLYETHYLENE PLANT
ARYA SASOL POLYMER COMPANY (ASPC)

MC:



CONTRACTOR:



VENDOR:



DRAWING TITLE:

PANEL LAYOUT DRAWING
LOCAL CONTROL PANEL 44AJB-80005C

OWNER DOC. NO.

OWNER PROJECT NO.	VENDOR DWG.	MR NO.	VENDOR CODE	DISCIPLINE	UNIT	TYPE	SEQ.
3944	VD	0171	DYP	RE	400	DWG	0003

SCALE: NONE SIZE: A0 SHEET NO. 33 OF 33 REV. 00