



# ASPC Project



<b>END CUSTOMER</b>	: Arya Sasol Polymer Company
<b>CONTRACTOR</b>	: DYPNF Co., Ltd.
<b>VENDOR NAME</b>	: Airpack Netherlands BV
<b>EQUIPMENT DESCRIPTION</b>	: Screw Compressor & Roots Blower : Package
<b>PURCHASE ORDER NUMBER</b>	: PO-PC2312-08

Customer Document : 3944-VD-0171-DYP-RE-400-DWG-0003  
Number

Airpack Document Number : 23383-07

Document Title : Panel Layout Drawing

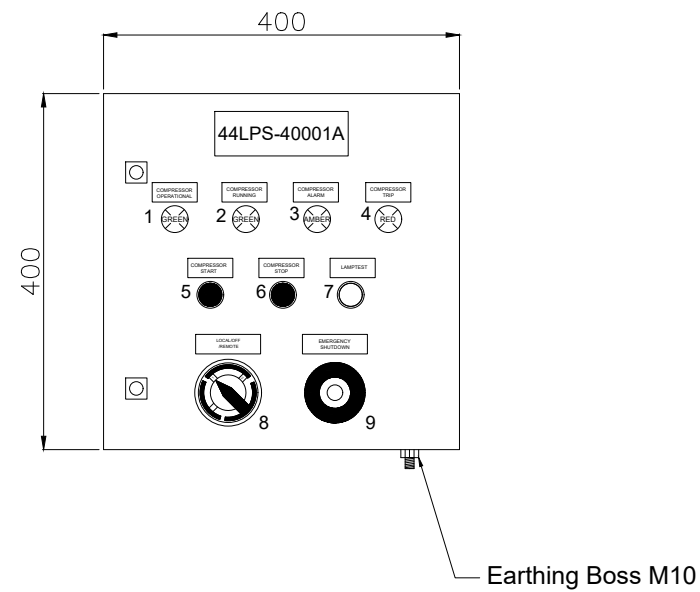
Review Code and Status		Contractor Initials/Signature	Date signed
<input type="checkbox"/>	<b>Code 1</b> <b>REJECTED</b> - Vendor to revise and Resubmit. Work cannot proceed		
<input type="checkbox"/>	<b>Code 2</b> Comments As Noted - Work May proceed, subject to compliance with and incorporation of comments		
<input type="checkbox"/>	<b>Code 3</b> No Comments - Work may proceed.		
<input type="checkbox"/>	<b>Code 4</b> Information only - Review not required.		

Rev. No.	Description	Date	Prepared by	Checked by	Approved by
00	Issued for Approval	25-03-2025	RT	SC	JJ

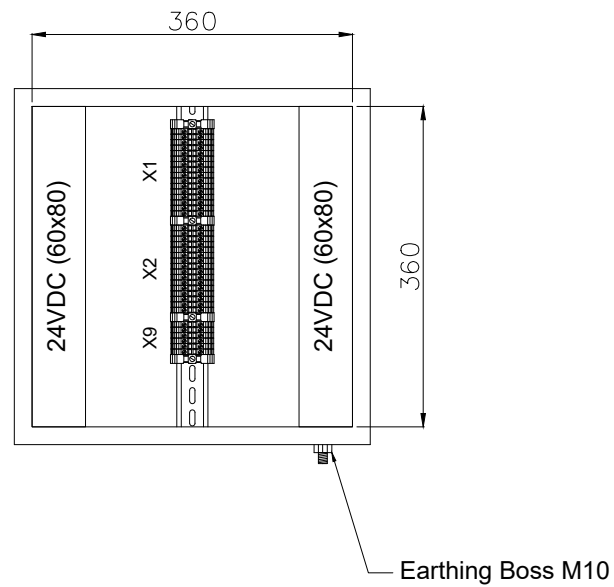


# 44LPS-40001A

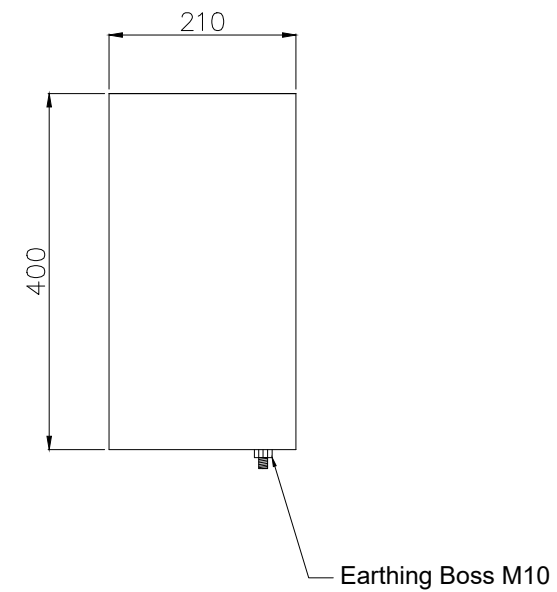
## Front Side (Outside) View



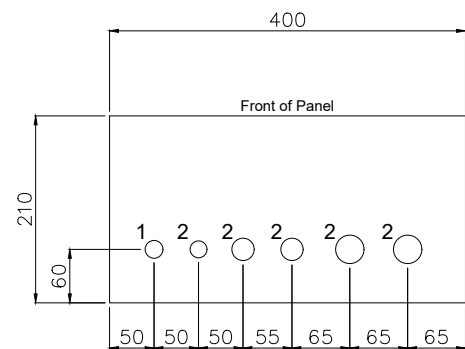
## Front Side (Inside) View



## Side (Outside) View



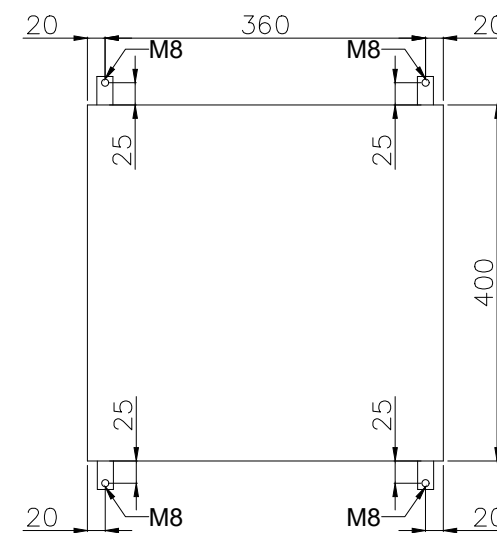
## Bottom View



## Gland Entry Details

1. M20 - 1x (Breather)
2. M20 - 1x (Spare)
3. M25 - 1x (Cable for ESD Pushbutton)
4. M25 - 1x (Spare)
5. M32 - 1x (Cable for Lamps & Pushbuttons)
6. M32 - 1x (Spare)

## Back (Outside) View Mounting Details



### GENERAL NOTES

- NOTES
1. PANEL DIMENSIONS: 400x400x210mm
  2. PANEL MATERIAL: SS316L STAINLESS STEEL
  3. AREA CLASSIFICATION: Ex II 3G IIC T3 Eex'e
  4. AMBIENT TEMPERATURE: 5°C/+48°C
  5. INGRESS PROTECTION: IP65
  6. CABLE RACEWAYS SHALL HAVE NO LESS THAN 20% SPARE CAPACITY.
  7. DIN RAIL TYPE: NS35
  8. BLUE SLOTTED CABLE TRUNKING WILL BE PROVIDED FOR INTRINSICALLY SAFE SIGNALS.

REFERENCE DRAWINGS	DWG.No.
xxxx	xxxx

### LEGEND

RESULT CODE:  AP  AN  CO  RE RESUBMISSION DATE:

NEXT STATUS:  IFI  IFA  JAF  ASB/IFIN

Approval or review hereunder shall not be construed to relieve Vendor/ Subcontractor of his responsibilities and liability under the Contract.

P.O. NO.:

M.R. NO.:

ITEM NO. (EQUIPMENT NO.):

VENDRO JOB NO.:

REV.	DATE	PURPOSE OF ISSUE (P.O.I.)	PREP.	CHKD.	APPR.	AC.
00	24/Mar/25	ISSUED FOR APPROVAL		RT	RB	SC

OWNER:



PROJECT:

300 KT POLYETHYLENE PLANT  
ARYA SASOL POLYMER COMPANY (ASPC)

MC:



CONTRACTOR:



VENDOR:



DRAWING TITLE:

PANEL LAYOUT DRAWING  
LOCAL CONTROL PANEL 44LPS-40001A

OWNER DOC. NO.

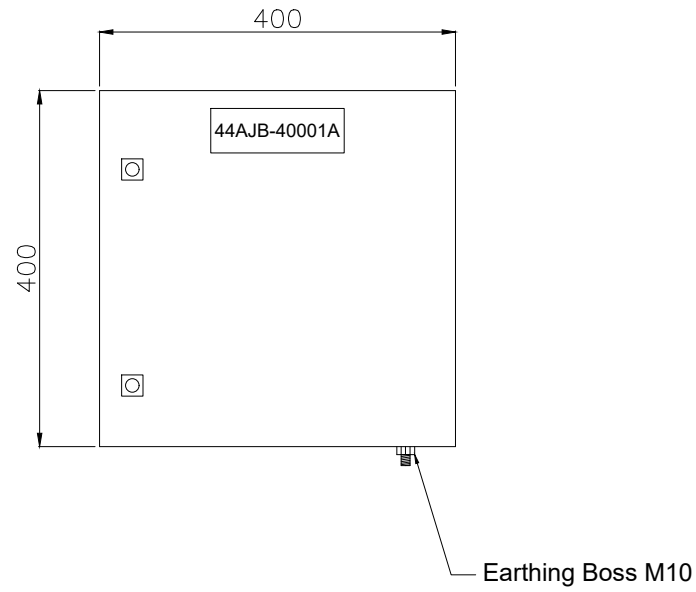
OWNER PROJECT NO.	VENDOR DWG.	MR NO.	VENDOR CODE	DISCIPLINE	UNIT	TYPE	SEQ.
3944	VD	0171	DYP	RE	400	DWG	0003

SCALE: NONE SIZE: A0 SHEET NO. 2 OF 33 REV. 00

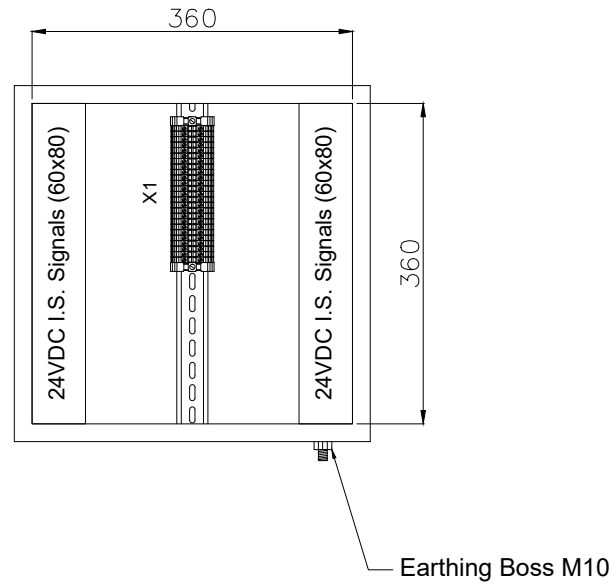
THIS DOCUMENT WITH ALL ITS RIGHTS IS THE PROPERTY OF A.S.P.C. AND MUST BE KEPT IN CONFIDENCE. NO DISCLOSURE, REPRODUCTION OR OTHER USE OF THE DOCUMENT IN WHOLE OR A PORTION IS TO BE MADE WITHOUT THE PRIOR CONSENT OF A.S.P.C.

# 44AJB-40001A

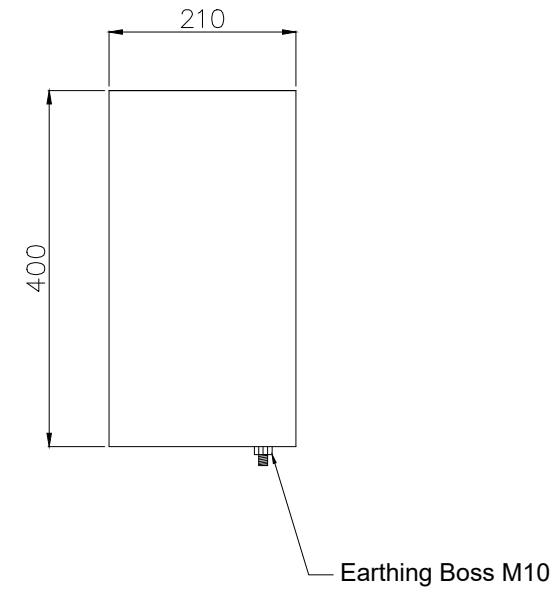
## Front Side (Outside) View



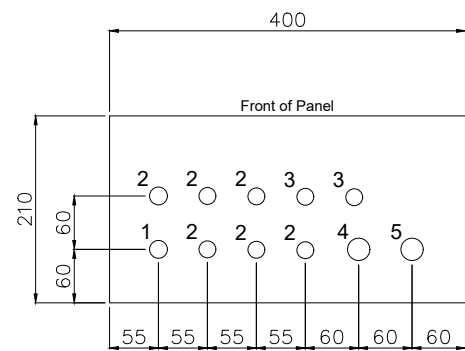
## Front Side (Inside) View



## Side (Outside) View



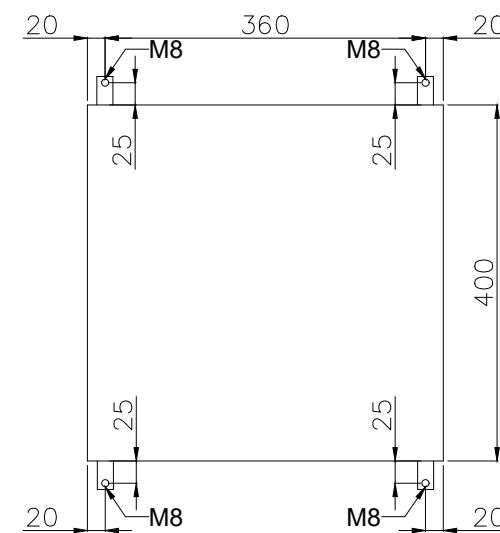
## Bottom View



## Gland Entry Details

1. M20 - 1x (Breather)
2. M20 - 6x (Cables from Transmitters)
3. M20 - 2x (Spare)
4. M25 - 1x (Multipair Cable from Customer)
5. M25 - 1x (Spare)

## Back (Outside) View Mounting Details



### GENERAL NOTES

- NOTES
1. PANEL DIMENSIONS: 400x400x210mm
  2. PANEL MATERIAL: SS316L STAINLESS STEEL
  3. AREA CLASSIFICATION: Ex II 3G IIC T3 Eex'e
  4. AMBIENT TEMPERATURE: 5°C/+48°C
  5. INGRESS PROTECTION: IP65
  6. CABLE RACEWAYS SHALL HAVE NO LESS THAN 20% SPARE CAPACITY.
  7. DIN RAIL TYPE: NS35
  8. BLUE SLOTTED CABLE TRUNKING WILL BE PROVIDED FOR INTRINSICALLY SAFE SIGNALS.

REFERENCE DRAWINGS	DWG.No.
xxxx	xxxx

### LEGEND

RESULT CODE:  AP  AN  CO  RE RESUBMISSION DATE:

NEXT STATUS:  IFI  IFA  IAF  ASB/IFIN

Approval or review hereunder shall not be construed to relieve Vendor/ Subcontractor of his responsibilities and liability under the Contract.

P.O. NO.:

M.R. NO.:

ITEM NO. (EQUIPMENT NO.):

VENDRO JOB NO.:

REV.	DATE	PURPOSE OF ISSUE (P.O.I.)	PREP.	CHKD.	APPR.	AC.
00	24/Mar/25	ISSUED FOR APPROVAL				

OWNER:



PROJECT:  
300 KT POLYETHYLENE PLANT  
ARYA SASOL POLYMER COMPANY (ASPC)

MC:

CONTRACTOR: VENDOR:

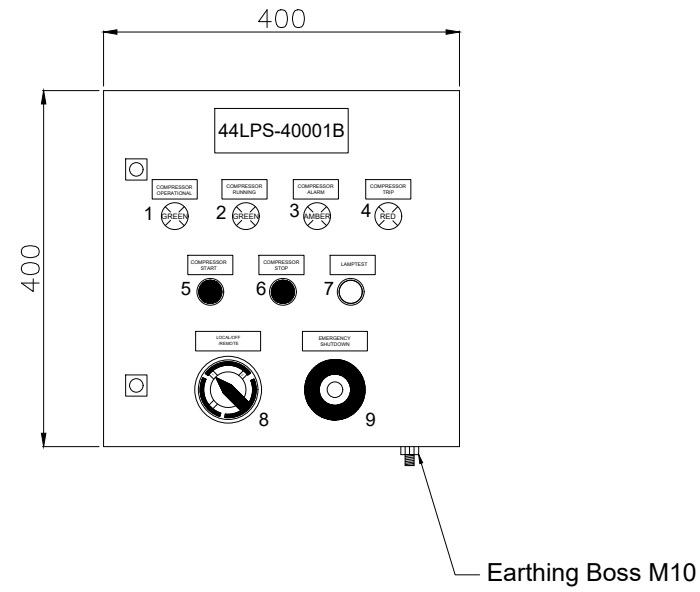
DRAWING TITLE:  
PANEL LAYOUT DRAWING  
LOCAL CONTROL PANEL 44AJB-40001A

OWNER PROJECT NO.	VENDOR DWG.	MR NO.	VENDOR CODE	DISCIPLINE	UNIT	TYPE	SEQ.
3944	VD	0171	DYP	RE	400	DWG	0003
SCALE: NONE	SIZE: A0	SHEET NO. 3 OF 33	REV. 00				

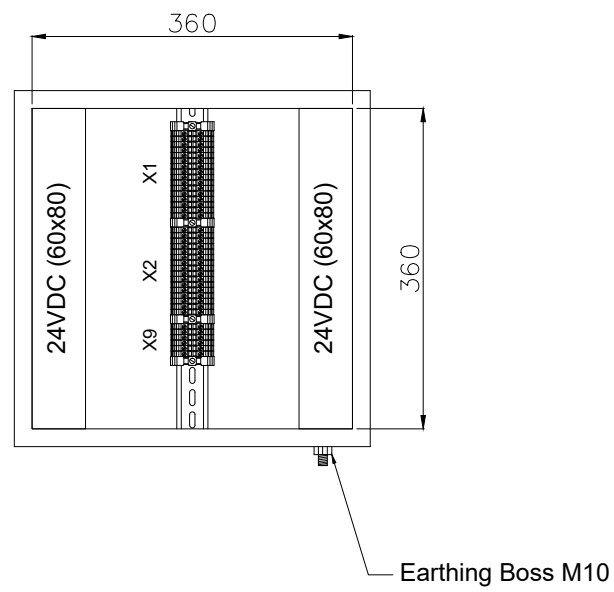


# 44LPS-40001B

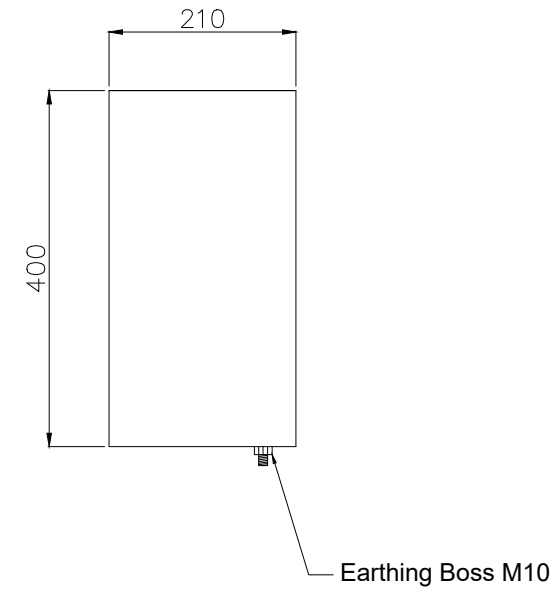
## Front Side (Outside) View



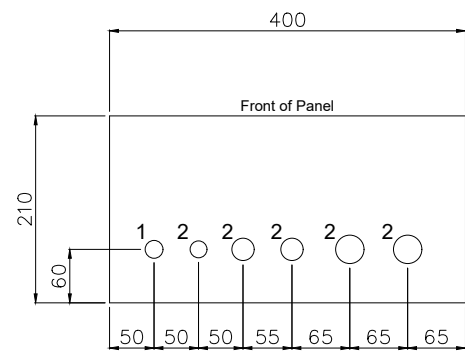
## Front Side (Inside) View



## Side (Outside) View



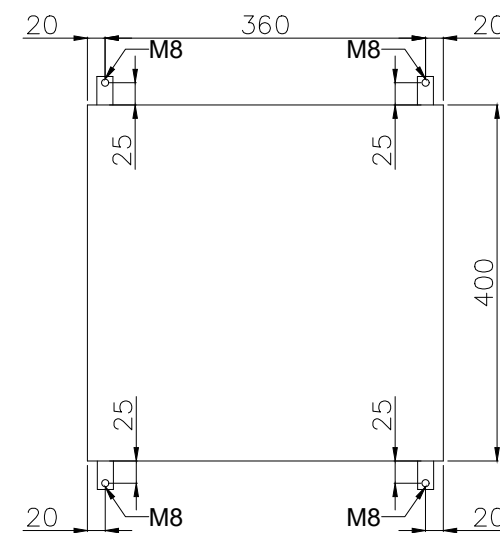
## Bottom View



## Gland Entry Details

1. M20 - 1x (Breather)
2. M20 - 1x (Spare)
3. M25 - 1x (Cable for ESD Pushbutton)
4. M25 - 1x (Spare)
5. M32 - 1x (Cable for Lamps & Pushbuttons)
6. M32 - 1x (Spare)

## Back (Outside) View Mounting Details



### GENERAL NOTES

- NOTES
1. PANEL DIMENSIONS: 400x400x210mm
  2. PANEL MATERIAL: SS316L STAINLESS STEEL
  3. AREA CLASSIFICATION: Ex II 3G IIC T3 Eex'e
  4. AMBIENT TEMPERATURE: 5°C/+48°C
  5. INGRESS PROTECTION: IP65
  6. CABLE RACEWAYS SHALL HAVE NO LESS THAN 20% SPARE CAPACITY.
  7. DIN RAIL TYPE: NS35
  8. BLUE SLOTTED CABLE TRUNKING WILL BE PROVIDED FOR INTRINSICALLY SAFE SIGNALS.

REFERENCE DRAWINGS	DWG.No.
xxxx	xxxx

### LEGEND

RESULT CODE:  AP  AN  CO  RE RESUBMISSION DATE:

NEXT STATUS:  IFI  IFA  JAF  ASB/IFIN

Approval or review hereunder shall not be construed to relieve Vendor/ Subcontractor of his responsibilities and liability under the Contract.

P.O. NO.:

M.R. NO.:

ITEM NO. (EQUIPMENT NO.):

VENDRO JOB NO.:

REV.	DATE	PURPOSE OF ISSUE (P.O.I.)	PREP.	CHKD.	APPR.	AC.
00	24/Mar/25	ISSUED FOR APPROVAL				

OWNER:



PROJECT:

300 KT POLYETHYLENE PLANT  
ARYA SASOL POLYMER COMPANY (ASPC)

MC:



CONTRACTOR:



DRAWING TITLE:  
PANEL LAYOUT DRAWING  
LOCAL CONTROL PANEL 44LPS-40001B

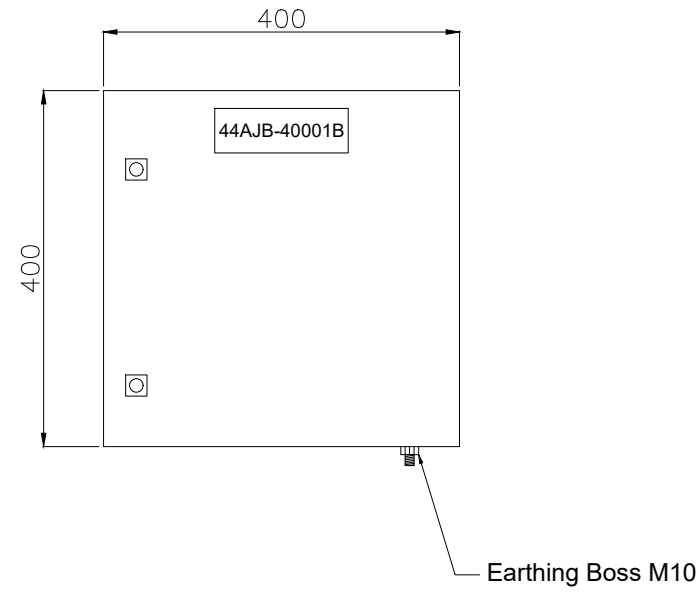
OWNER DOC. NO.

OWNER PROJECT NO.	VENDOR DWG.	MR NO.	VENDOR CODE	DISCIPLINE	UNIT	TYPE	SEQ.
3944	VD	0171	DYP	RE	400	DWG	0003

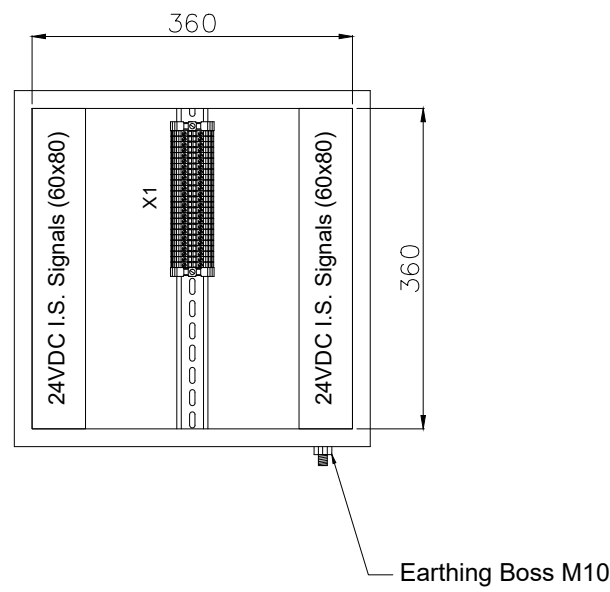
SCALE: NONE SIZE: A0 SHEET NO. 5 OF 33 REV. 00

# 44AJB-40001B

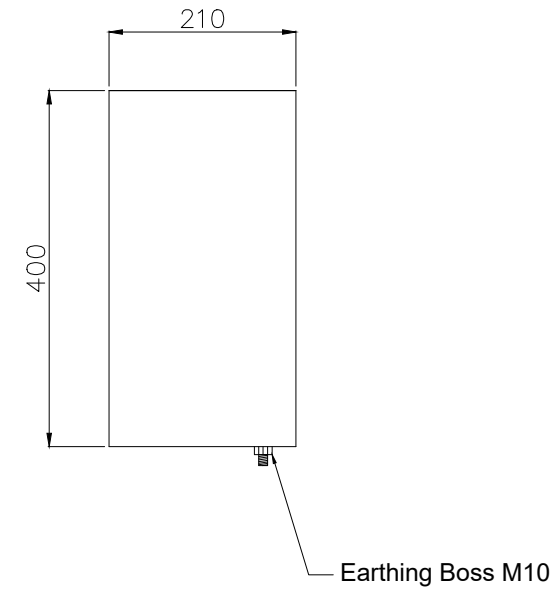
## Front Side (Outside) View



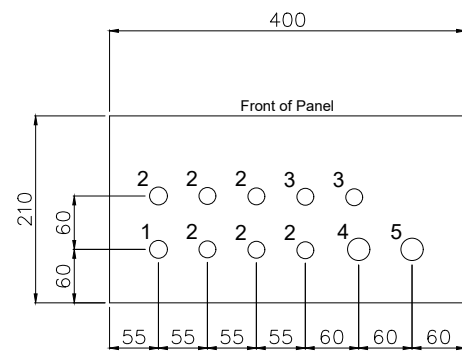
## Front Side (Inside) View



## Side (Outside) View



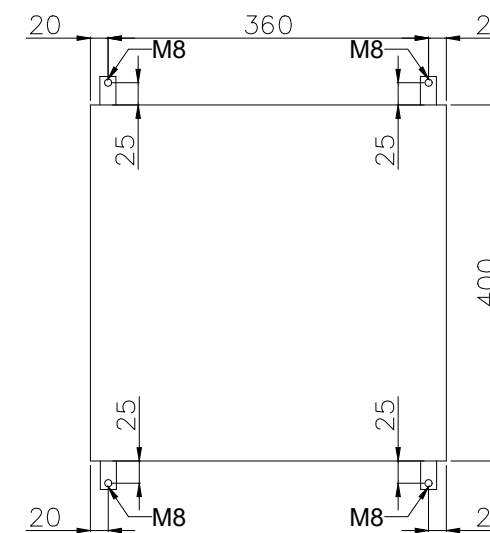
## Bottom View



## Gland Entry Details

1. M20 - 1x (Breather)
2. M20 - 6x (Cables from Transmitters)
3. M20 - 2x (Spare)
4. M25 - 1x (Multipair Cable from Customer)
5. M25 - 1x (Spare)

## Back (Outside) View Mounting Details



### GENERAL NOTES

- NOTES
1. PANEL DIMENSIONS: 400x400x210mm
  2. PANEL MATERIAL: SS316L STAINLESS STEEL
  3. AREA CLASSIFICATION: Ex II 3G IIC T3 Eex'e
  4. AMBIENT TEMPERATURE: 5°C/+48°C
  5. INGRESS PROTECTION: IP65
  6. CABLE RACEWAYS SHALL HAVE NO LESS THAN 20% SPARE CAPACITY.
  7. DIN RAIL TYPE: NS35
  8. BLUE SLOTTED CABLE TRUNKING WILL BE PROVIDED FOR INTRINSICALLY SAFE SIGNALS.

REFERENCE DRAWINGS	DWG.No.
xxxx	xxxx

### LEGEND

RESULT CODE:  AP  AN  CO  RE RESUBMISSION DATE:

NEXT STATUS:  IFI  IFA  IAF  ASB/IFIN

Approval or review hereunder shall not be construed to relieve Vendor/ Subcontractor of his responsibilities and liability under the Contract.

P.O. NO.:

M.R. NO.:

ITEM NO. (EQUIPMENT NO.):

VENDRO JOB NO.:

REV.	DATE	PURPOSE OF ISSUE (P.O.I.)	PREP.	CHKD.	APPR.	AC.
00	24/Mar/25	ISSUED FOR APPROVAL				

OWNER:



PROJECT:

300 KT POLYETHYLENE PLANT  
ARYA SASOL POLYMER COMPANY (ASPC)

MC:



CONTRACTOR:



DRAWING TITLE:

PANEL LAYOUT DRAWING  
LOCAL CONTROL PANEL 44AJB-40001B

OWNER DOC. NO.

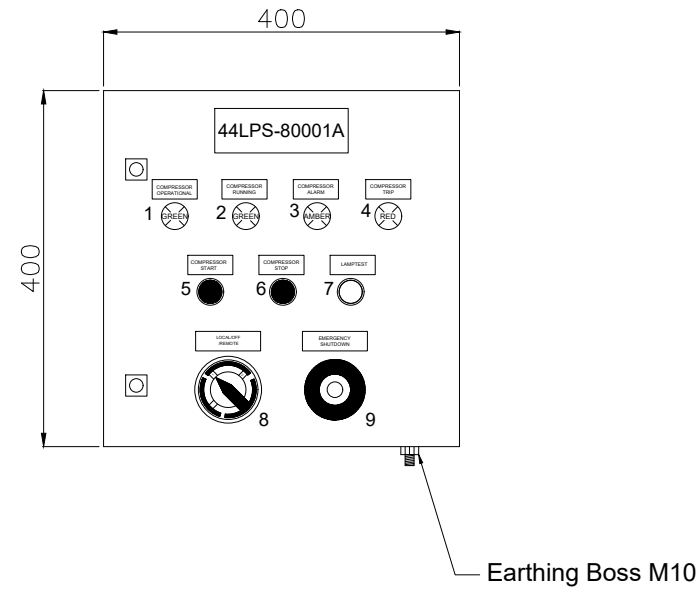
OWNER PROJECT NO.	VENDOR DWG.	MR NO.	VENDOR CODE	DISCIPLINE	UNIT	TYPE	SEQ.
3944	VD	0171	DYP	RE	400	DWG	0003

SCALE: NONE SIZE: A0 SHEET NO. 6 OF 33 REV. 00

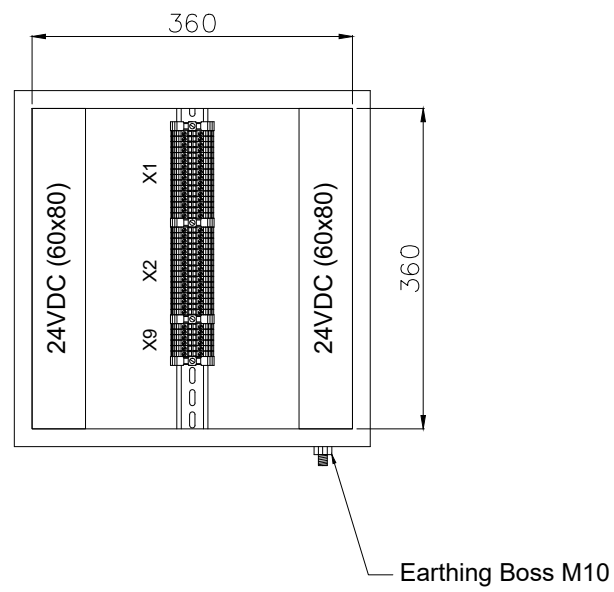


# 44LPS-80001A

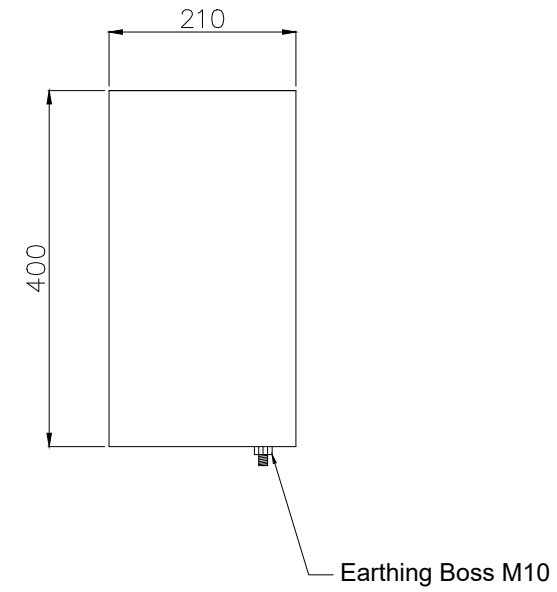
## Front Side (Outside) View



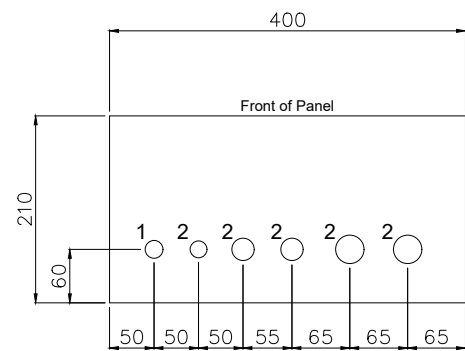
## Front Side (Inside) View



## Side (Outside) View



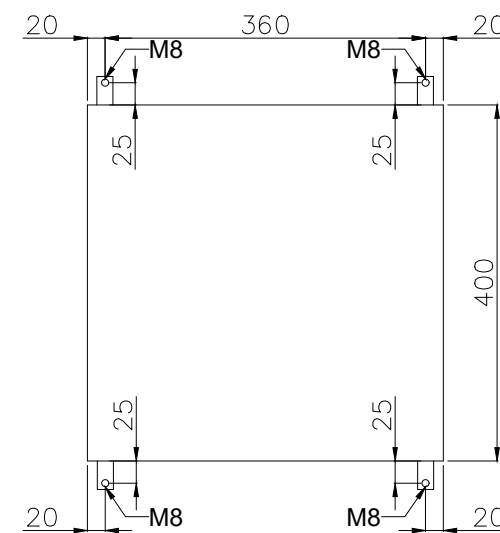
## Bottom View



## Gland Entry Details

1. M20 - 1x (Breather)
2. M20 - 1x (Spare)
3. M25 - 1x (Cable for ESD Pushbutton)
4. M25 - 1x (Spare)
5. M32 - 1x (Cable for Lamps & Pushbuttons)
6. M32 - 1x (Spare)

## Back (Outside) View Mounting Details



### GENERAL NOTES

- NOTES
1. PANEL DIMENSIONS: 400x400x210mm
  2. PANEL MATERIAL: SS316L STAINLESS STEEL
  3. AREA CLASSIFICATION: Ex II 3G IIC T3 Eex'e
  4. AMBIENT TEMPERATURE: 5°C/+48°C
  5. INGRESS PROTECTION: IP65
  6. CABLE RACEWAYS SHALL HAVE NO LESS THAN 20% SPARE CAPACITY.
  7. DIN RAIL TYPE: NS35
  8. BLUE SLOTTED CABLE TRUNKING WILL BE PROVIDED FOR INTRINSICALLY SAFE SIGNALS.

REFERENCE DRAWINGS	DWG.No.
xxxx	xxxx

### LEGEND

RESULT CODE:  AP  AN  CO  RE RESUBMISSION DATE:

NEXT STATUS:  IFI  IFA  IAF  ASB/IFIN

Approval or review hereunder shall not be construed to relieve Vendor/ Subcontractor of his responsibilities and liability under the Contract.

P.O. NO.:

M.R. NO.:

ITEM NO. (EQUIPMENT NO.):

VENDRO JOB NO.:

REV.	DATE	PURPOSE OF ISSUE (P.O.I.)	PREP.	CHKD.	APPR.	AC.
00	24/Mar/25	ISSUED FOR APPROVAL	RT	RB	SC	-

OWNER:



PROJECT:  
300 KT POLYETHYLENE PLANT  
ARYA SASOL POLYMER COMPANY (ASPC)

MC:



CONTRACTOR: SAZEH CONSULTANTS



DRAWING TITLE:  
PANEL LAYOUT DRAWING  
LOCAL CONTROL PANEL 44LPS-80001A

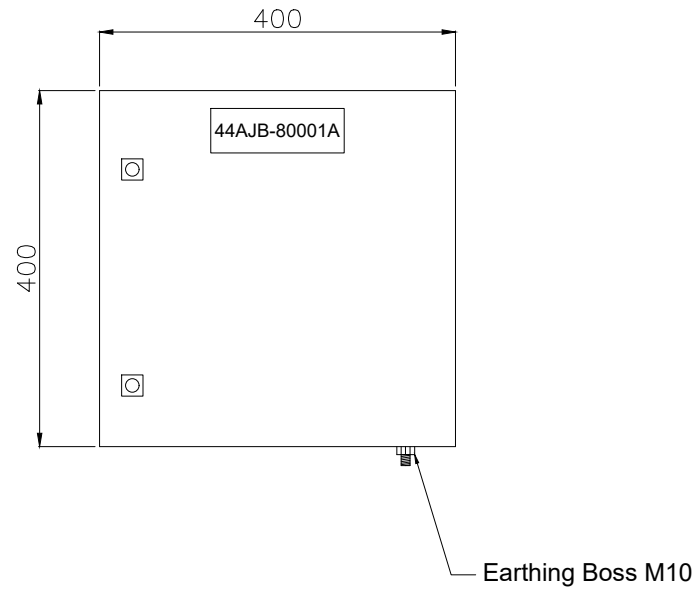
OWNER DOC. NO.

OWNER PROJECT NO.	VENDOR DWG.	MR NO.	VENDOR CODE	DISCIPLINE	UNIT	TYPE	SEQ.
3944	VD	0171	DYP	RE	400	DWG	0003

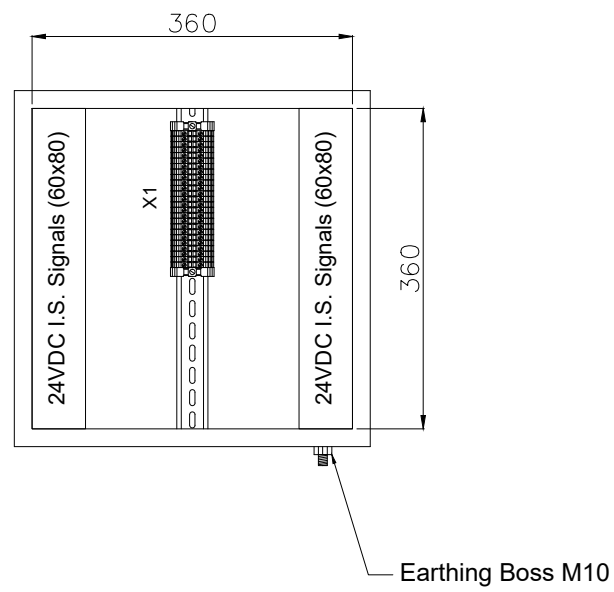
SCALE: NONE SIZE: A0 SHEET NO. 8 OF 33 REV. 00

# 44AJB-80001A

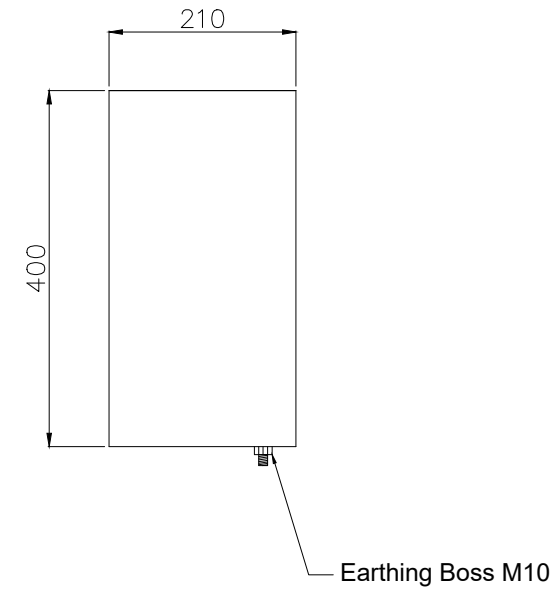
## Front Side (Outside) View



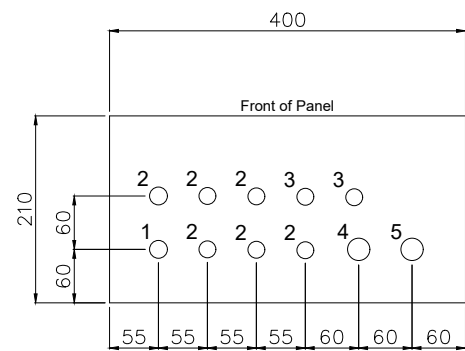
## Front Side (Inside) View



## Side (Outside) View



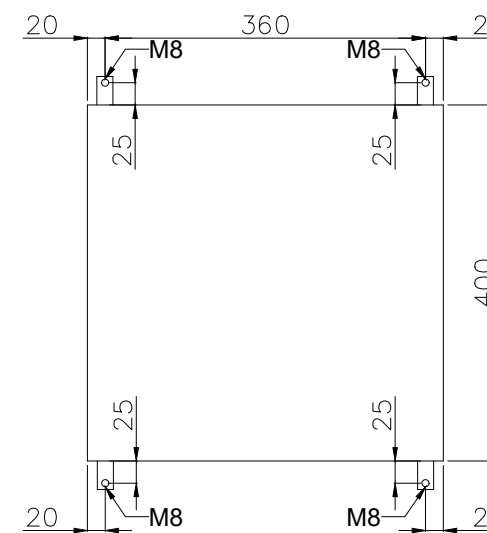
## Bottom View



## Gland Entry Details

1. M20 - 1x (Breather)
2. M20 - 6x (Cables from Transmitters)
3. M20 - 2x (Spare)
4. M25 - 1x (Multipair Cable from Customer)
5. M25 - 1x (Spare)

## Back (Outside) View Mounting Details



### GENERAL NOTES

- NOTES
1. PANEL DIMENSIONS: 400x400x210mm
  2. PANEL MATERIAL: SS316L STAINLESS STEEL
  3. AREA CLASSIFICATION: Ex II 3G IIC T3 Eex'e
  4. AMBIENT TEMPERATURE: 5°C/+48°C
  5. INGRESS PROTECTION: IP65
  6. CABLE RACEWAYS SHALL HAVE NO LESS THAN 20% SPARE CAPACITY.
  7. DIN RAIL TYPE: NS35
  8. BLUE SLOTTED CABLE TRUNKING WILL BE PROVIDED FOR INTRINSICALLY SAFE SIGNALS.

REFERENCE DRAWINGS	DWG.No.
xxxx	xxxx

### LEGEND

RESULT CODE:  AP  AN  CO  RE RESUBMISSION DATE:

NEXT STATUS:  IFI  IFA  IAF  ASB/IFIN

Approval or review hereunder shall not be construed to relieve Vendor/ Subcontractor of his responsibilities and liability under the Contract.

P.O. NO.:

M.R. NO.:

ITEM NO. (EQUIPMENT NO.):

VENDRO JOB NO.:

REV.	DATE	PURPOSE OF ISSUE (P.O.I)	PREP.	CHKD.	APPR.	AC.
00	24/Mar/25	ISSUED FOR APPROVAL				

OWNER:



PROJECT:

300 KT POLYETHYLENE PLANT  
ARYA SASOL POLYMER COMPANY (ASPC)

MC:



CONTRACTOR:



DRAWING TITLE:  
PANEL LAYOUT DRAWING  
LOCAL CONTROL PANEL 44AJB-80001A

OWNER DOC. NO.

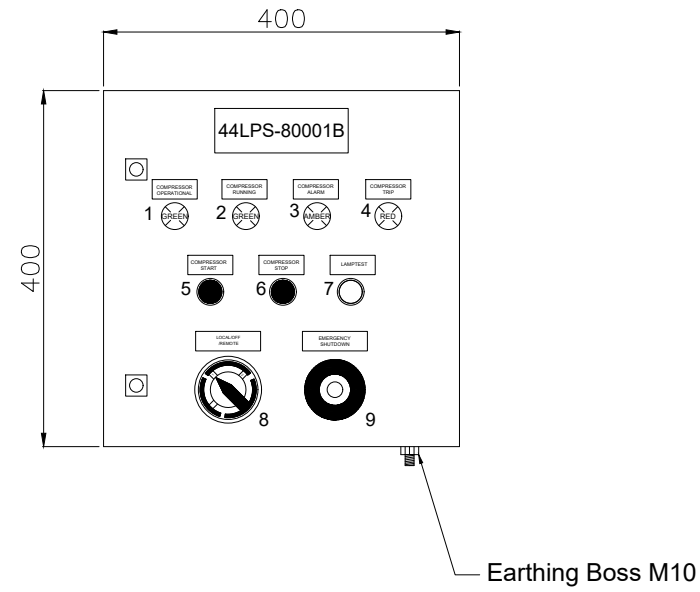
OWNER PROJECT NO.	VENDOR DWG.	MR NO.	VENDOR CODE	DISCIPLINE	UNIT	TYPE	SEQ.
3944	VD	0171	DYP	RE	400	DWG	0003

SCALE: NONE SIZE: A0 SHEET NO. 9 OF 33 REV. 00

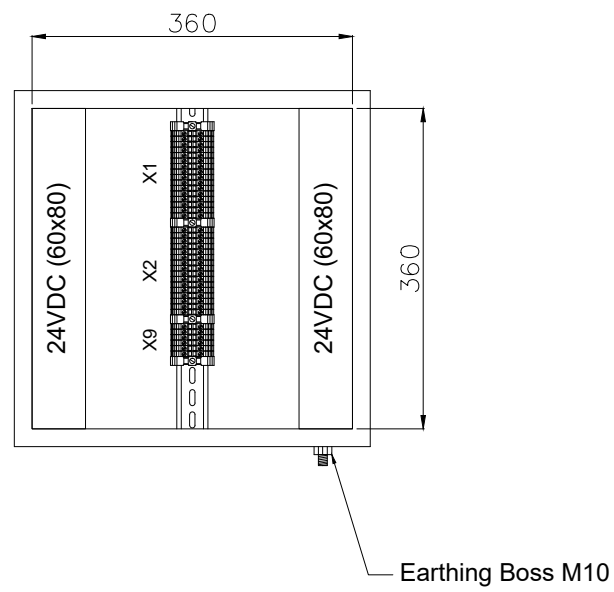


# 44LPS-80001B

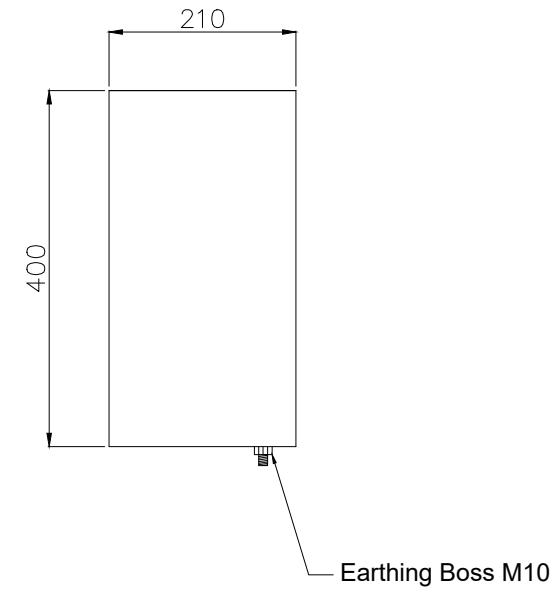
## Front Side (Outside) View



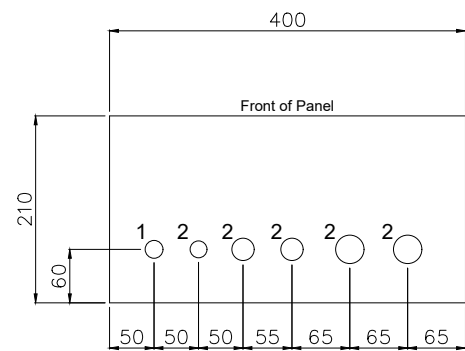
## Front Side (Inside) View



## Side (Outside) View



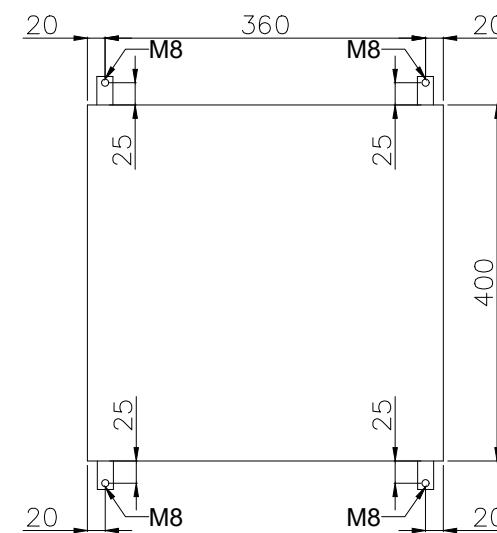
## Bottom View



## Gland Entry Details

1. M20 - 1x (Breather)
2. M20 - 1x (Spare)
3. M25 - 1x (Cable for ESD Pushbutton)
4. M25 - 1x (Spare)
5. M32 - 1x (Cable for Lamps & Pushbuttons)
6. M32 - 1x (Spare)

## Back (Outside) View Mounting Details



### GENERAL NOTES

- NOTES
1. PANEL DIMENSIONS: 400x400x210mm
  2. PANEL MATERIAL: SS316L STAINLESS STEEL
  3. AREA CLASSIFICATION: Ex II 3G IIC T3 Eex'e
  4. AMBIENT TEMPERATURE: 5°C/+48°C
  5. INGRESS PROTECTION: IP65
  6. CABLE RACEWAYS SHALL HAVE NO LESS THAN 20% SPARE CAPACITY.
  7. DIN RAIL TYPE: NS35
  8. BLUE SLOTTED CABLE TRUNKING WILL BE PROVIDED FOR INTRINSICALLY SAFE SIGNALS.

REFERENCE DRAWINGS	DWG.No.
xxxx	xxxx

### LEGEND

RESULT CODE:  AP  AN  CO  RE RESUBMISSION DATE:

NEXT STATUS:  IFI  IFA  JAF  ASB/IFIN

Approval or review hereunder shall not be construed to relieve Vendor/ Subcontractor of his responsibilities and liability under the Contract.

P.O. NO.:

M.R. NO.:

ITEM NO. (EQUIPMENT NO.):

VENDRO JOB NO.:

REV.	DATE	PURPOSE OF ISSUE (P.O.I.)	PREP.	CHKD.	APPR.	AC.
00	24/Mar/25	ISSUED FOR APPROVAL				

OWNER:



PROJECT:

300 KT POLYETHYLENE PLANT  
ARYA SASOL POLYMER COMPANY (ASPC)

MC:



CONTRACTOR:



VENDOR:



DRAWING TITLE:

PANEL LAYOUT DRAWING  
LOCAL CONTROL PANEL 44LPS-80001B

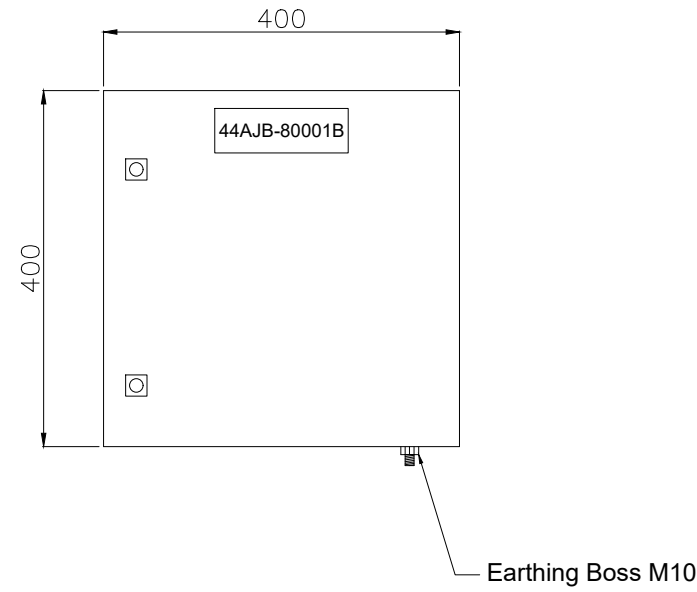
OWNER PROJECT NO.	VENDOR DWG.	MR NO.	VENDOR CODE	DISCIPLINE	UNIT	TYPE	SEQ.
3944	VD	0171	DYP	RE	400	DWG	0003

SCALE: NONE SIZE: A0 SHEET NO. 11 OF 33 REV. 00

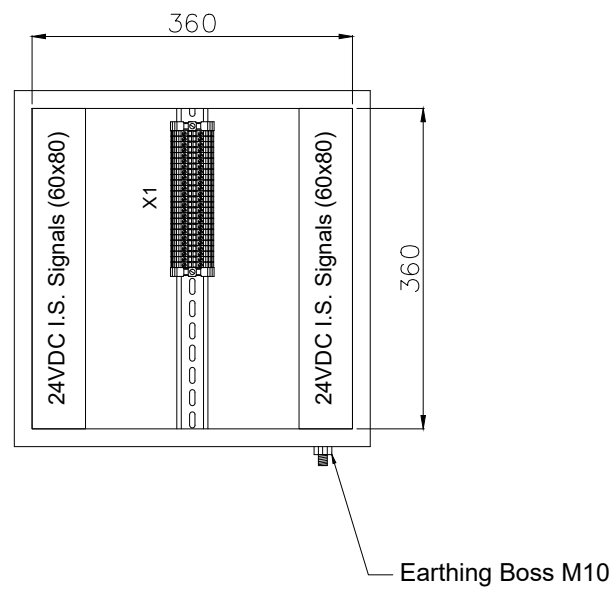
THIS DOCUMENT WITH ALL ITS RIGHTS IS THE PROPERTY OF A.S.P.C. AND MUST BE HELD IN CONFIDENCE. NO DISCLOSURE, REPRODUCTION OR OTHER USE OF THE DOCUMENT IN WHOLE OR A PORTIONS TO BE MADE WITHOUT THE PRIOR CONSENT OF A.S.P.C.

# 44AJB-80001B

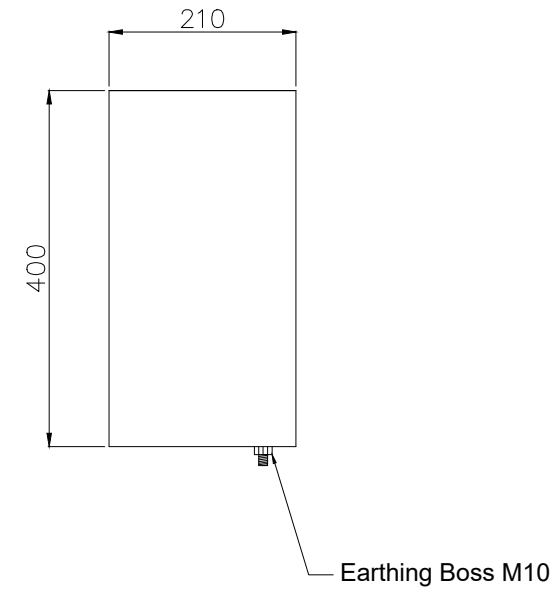
## Front Side (Outside) View



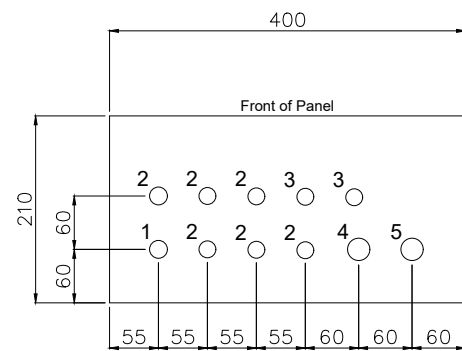
## Front Side (Inside) View



## Side (Outside) View



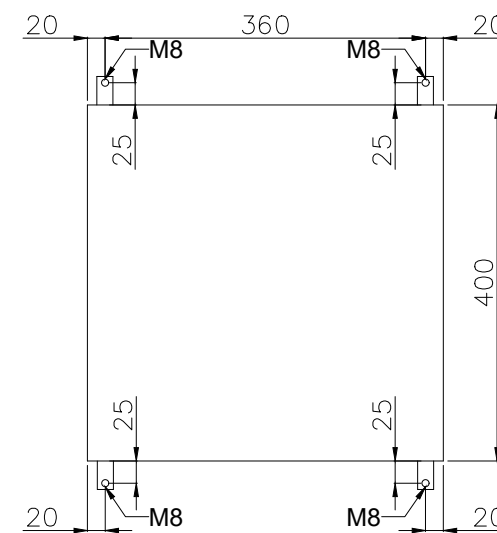
## Bottom View



## Gland Entry Details

1. M20 - 1x (Breather)
2. M20 - 6x (Cables from Transmitters)
3. M20 - 2x (Spare)
4. M25 - 1x (Multipair Cable from Customer)
5. M25 - 1x (Spare)

## Back (Outside) View Mounting Details



### GENERAL NOTES

- NOTES
1. PANEL DIMENSIONS: 400x400x210mm
  2. PANEL MATERIAL: SS316L STAINLESS STEEL
  3. AREA CLASSIFICATION: Ex II 3G IIC T3 Eex'e
  4. AMBIENT TEMPERATURE: 5°C/+48°C
  5. INGRESS PROTECTION: IP65
  6. CABLE RACEWAYS SHALL HAVE NO LESS THAN 20% SPARE CAPACITY.
  7. DIN RAIL TYPE: NS35
  8. BLUE SLOTTED CABLE TRUNKING WILL BE PROVIDED FOR INTRINSICALLY SAFE SIGNALS.

REFERENCE DRAWINGS	DWG.No.
xxxx	xxxx

### LEGEND

RESULT CODE:  AP  AN  CO  RE RESUBMISSION DATE:

NEXT STATUS:  IFI  IFA  IAF  ASB/IFIN

Approval or review hereunder shall not be construed to relieve Vendor/ Subcontractor of his responsibilities and liability under the Contract.

P.O. NO.:

M.R. NO.:

ITEM NO. (EQUIPMENT NO.):

VENDRO JOB NO.:

REV.	DATE	PURPOSE OF ISSUE (P.O.I.)	PREP.	CHKD.	APPR.	AC.
00	24/Mar/25	ISSUED FOR APPROVAL				

OWNER:



PROJECT:  
300 KT POLYETHYLENE PLANT  
ARYA SASOL POLYMER COMPANY (ASPC)

MC:  
ISBEDCO  
SAZEH CONSULTANTS

CONTRACTOR: SAZEH CONSULTANTS  
VENDOR: DYPNF

DRAWING TITLE:  
PANEL LAYOUT DRAWING  
LOCAL CONTROL PANEL 44AJB-80001B

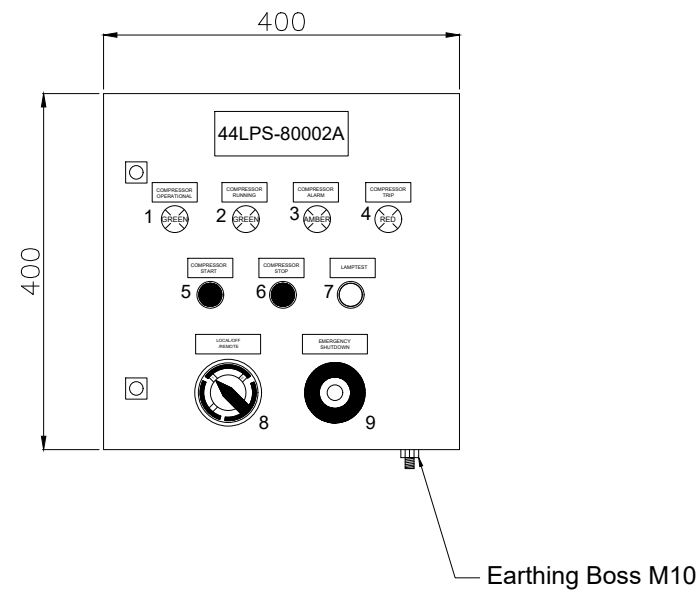
OWNER PROJECT NO.	VENDOR DWG.	MR NO.	VENDOR CODE	DISCIPLINE	UNIT	TYPE	SEQ.
3944	VD	0171	DYP	RE	400	DWG	0003

SCALE: NONE SIZE: A0 SHEET NO. 12 OF 33 REV. 00

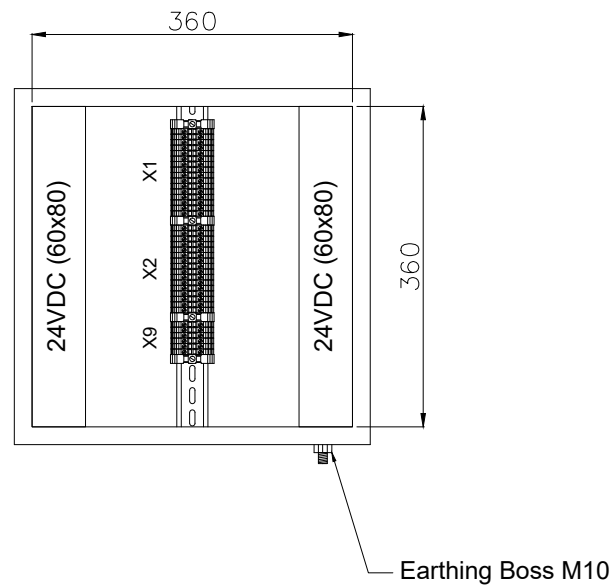


# 44LPS-80002A

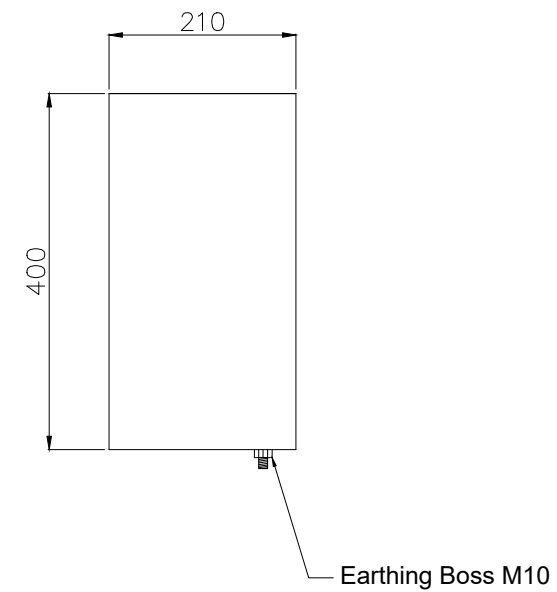
## Front Side (Outside) View



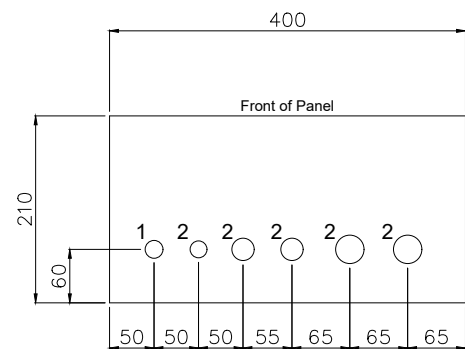
## Front Side (Inside) View



## Side (Outside) View



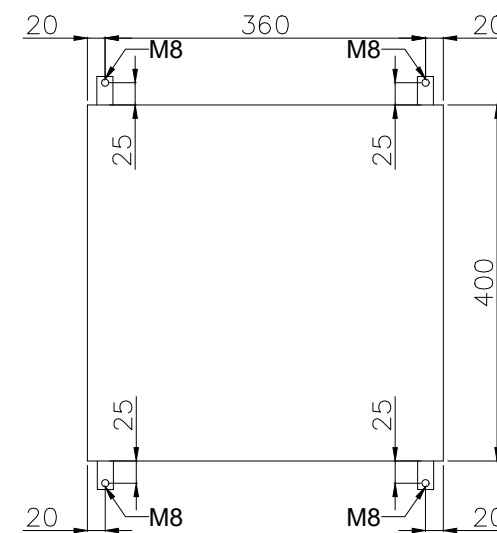
## Bottom View



## Gland Entry Details

1. M20 - 1x (Breather)
2. M20 - 1x (Spare)
3. M25 - 1x (Cable for ESD Pushbutton)
4. M25 - 1x (Spare)
5. M32 - 1x (Cable for Lamps & Pushbuttons)
6. M32 - 1x (Spare)

## Back (Outside) View Mounting Details



### GENERAL NOTES

- NOTES
1. PANEL DIMENSIONS: 400x400x210mm
  2. PANEL MATERIAL: SS316L STAINLESS STEEL
  3. AREA CLASSIFICATION: Ex II 3G IIC T3 Eex'e
  4. AMBIENT TEMPERATURE: 5°C/+48°C
  5. INGRESS PROTECTION: IP65
  6. CABLE RACEWAYS SHALL HAVE NO LESS THAN 20% SPARE CAPACITY.
  7. DIN RAIL TYPE: NS35
  8. BLUE SLOTTED CABLE TRUNKING WILL BE PROVIDED FOR INTRINSICALLY SAFE SIGNALS.

REFERENCE DRAWINGS	DWG.No.
xxxx	xxxx

### LEGEND

RESULT CODE:  AP  AN  CO  RE RESUBMISSION DATE:

NEXT STATUS:  IFI  IFA  IAF  ASB/IFIN

Approval or review hereunder shall not be construed to relieve Vendor/ Subcontractor of his responsibilities and liability under the Contract.

P.O. NO.:

M.R. NO.:

ITEM NO. (EQUIPMENT NO.):

VENDRO JOB NO.:

REV.	DATE	PURPOSE OF ISSUE (P.O.I.)	PREP.	CHKD.	APPR.	AC.
00	24/Mar/25	ISSUED FOR APPROVAL				

OWNER:



PROJECT:

300 KT POLYETHYLENE PLANT  
ARYA SASOL POLYMER COMPANY (ASPC)

MC:



CONTRACTOR:



VENDOR:



DRAWING TITLE:

PANEL LAYOUT DRAWING  
LOCAL CONTROL PANEL 44LPS-80002A

OWNER DOC. NO.

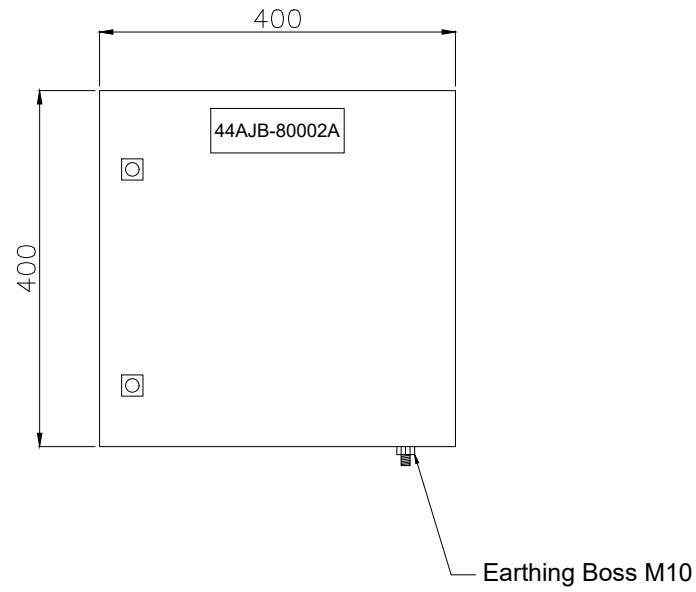
OWNER PROJECT NO.	VENDOR DWG.	MR NO.	VENDOR CODE	DISCIPLINE	UNIT	TYPE	SEQ.
3944	VD	0171	DYP	RE	400	DWG	0003

SCALE: NONE SIZE: A0 SHEET NO. 14 OF 33 REV. 00

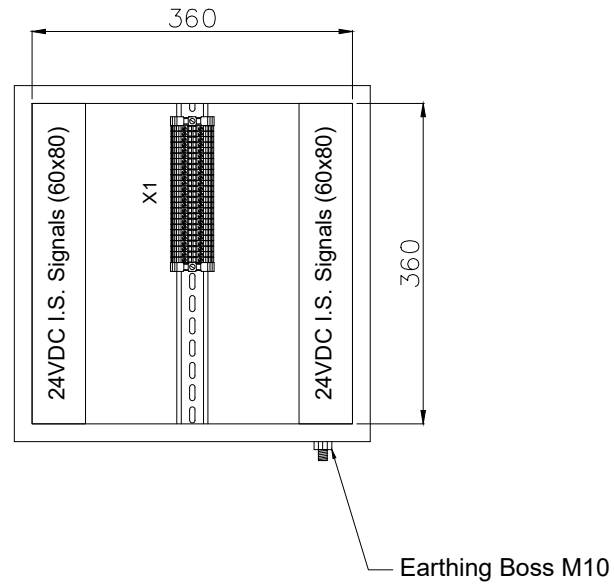
THIS DOCUMENT WITH ALL ITS RIGHTS IS THE PROPERTY OF A.S.P.C. AND MUST BE HELD IN CONFIDENCE. NO DISCLOSURE, REPRODUCTION OR OTHER USE OF THE DOCUMENT IN WHOLE OR A PORTIONS TO BE MADE WITHOUT THE PRIOR CONSENT OF A.S.P.C.

# 44AJB-80002A

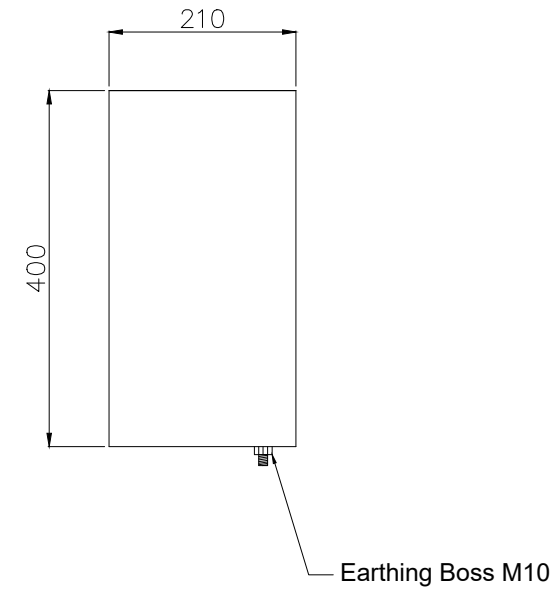
## Front Side (Outside) View



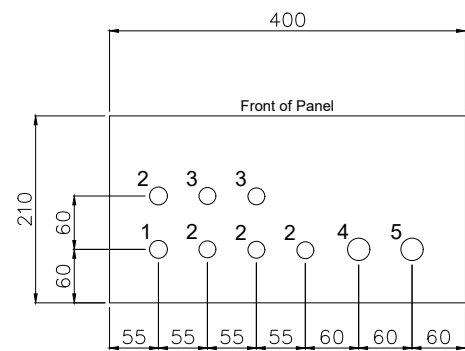
## Front Side (Inside) View



## Side (Outside) View



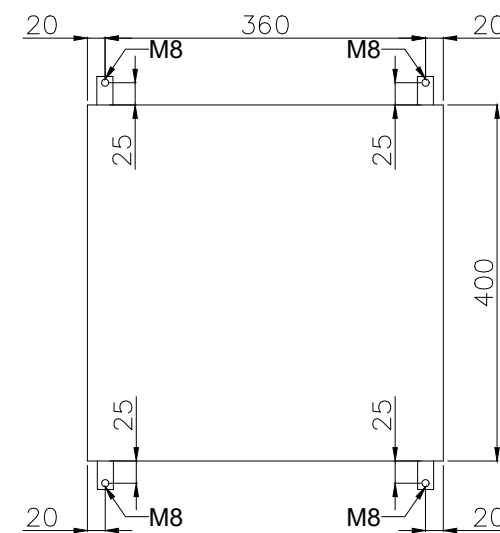
## Bottom View



## Gland Entry Details

1. M20 - 1x (Breather)
2. M20 - 4x (Cables from Transmitters)
3. M20 - 2x (Spare)
4. M25 - 1x (Multipair Cable from Customer)
5. M25 - 1x (Spare)

## Back (Outside) View Mounting Details



### GENERAL NOTES

- NOTES
1. PANEL DIMENSIONS: 400x400x210mm
  2. PANEL MATERIAL: SS316L STAINLESS STEEL
  3. AREA CLASSIFICATION: Ex II 3G IIC T3 Eex'e
  4. AMBIENT TEMPERATURE: 5°C/+48°C
  5. INGRESS PROTECTION: IP65
  6. CABLE RACEWAYS SHALL HAVE NO LESS THAN 20% SPARE CAPACITY.
  7. DIN RAIL TYPE: NS35
  8. BLUE SLOTTED CABLE TRUNKING WILL BE PROVIDED FOR INTRINSICALLY SAFE SIGNALS.

REFERENCE DRAWINGS	DWG.No.
xxxx	xxxx

### LEGEND

RESULT CODE:  AP  AN  CO  RE RESUBMISSION DATE:

NEXT STATUS:  IFI  IFA  IAF  ASB/IFIN

Approval or review hereunder shall not be construed to relieve Vendor/ Subcontractor of his responsibilities and liability under the Contract.

P.O. NO.:

M.R. NO.:

ITEM NO. (EQUIPMENT NO.):

VENDRO JOB NO.:

REV.	DATE	PURPOSE OF ISSUE (P.O.I.)	PREP.	CHKD.	APPR.	AC.
00	24/Mar/25	ISSUED FOR APPROVAL				

OWNER:



PROJECT:

300 KT POLYETHYLENE PLANT  
ARYA SASOL POLYMER COMPANY (ASPC)

MC:



CONTRACTOR:



DRAWING TITLE:

PANEL LAYOUT DRAWING  
LOCAL CONTROL PANEL 44AJB-80002A

OWNER DOC. NO.

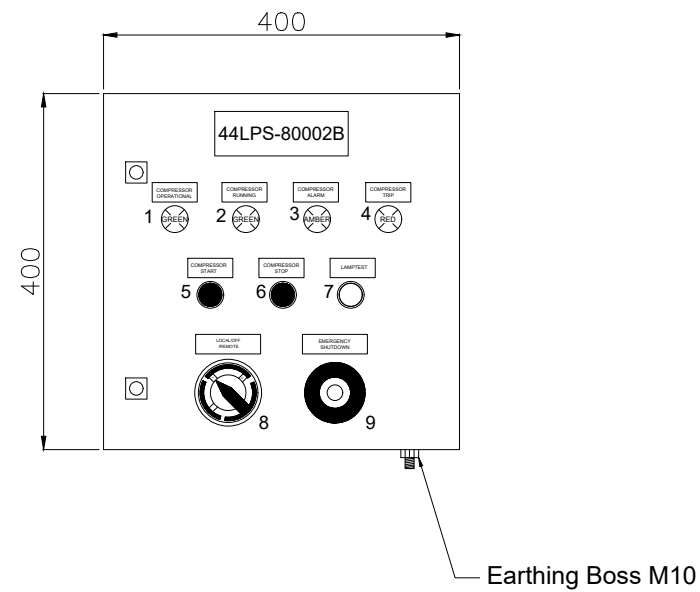
OWNER PROJECT NO.	VENDOR DWG.	MR NO.	VENDOR CODE	DISCIPLINE	UNIT	TYPE	SEQ.
3944	VD	0171	DYP	RE	400	DWG	0003

SCALE: NONE SIZE: A0 SHEET NO. 15 OF 33 REV. 00

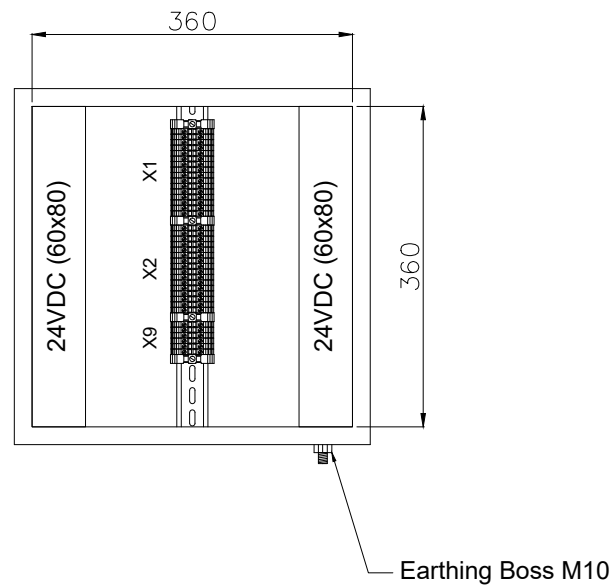


# 44LPS-80002B

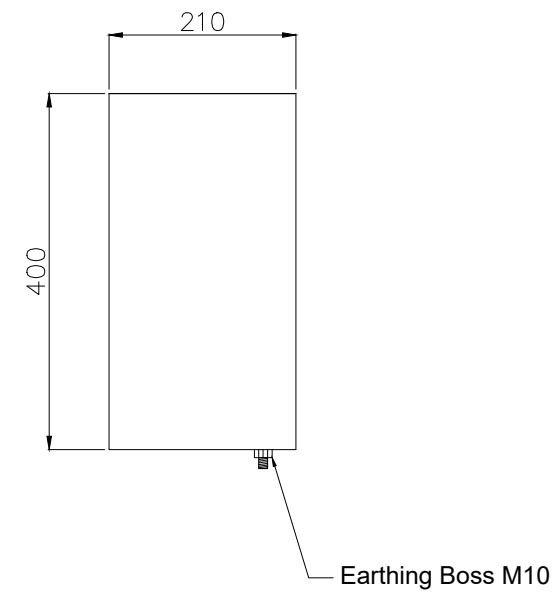
## Front Side (Outside) View



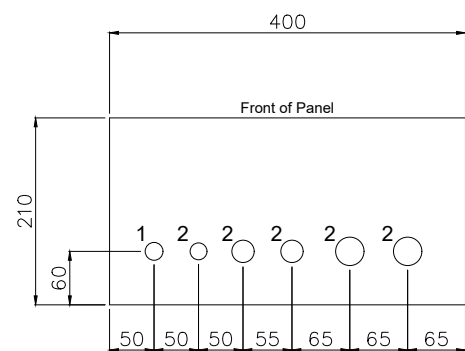
## Front Side (Inside) View



## Side (Outside) View



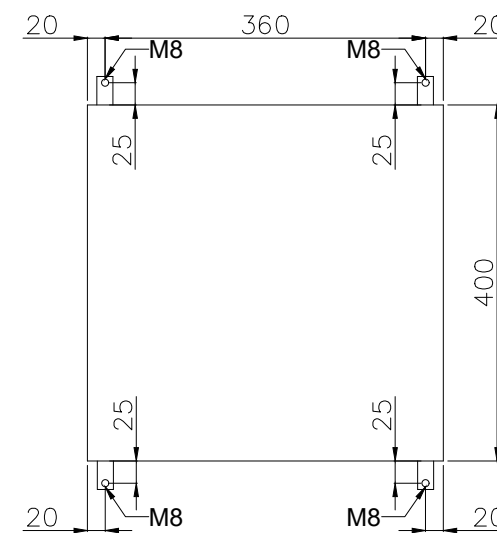
## Bottom View



## Gland Entry Details

1. M20 - 1x (Breather)
2. M20 - 1x (Spare)
3. M25 - 1x (Cable for ESD Pushbutton)
4. M25 - 1x (Spare)
5. M32 - 1x (Cable for Lamps & Pushbuttons)
6. M32 - 1x (Spare)

## Back (Outside) View Mounting Details



### GENERAL NOTES

- NOTES
1. PANEL DIMENSIONS: 400x400x210mm
  2. PANEL MATERIAL: SS316L STAINLESS STEEL
  3. AREA CLASSIFICATION: Ex II 3G IIC T3 Eex'e
  4. AMBIENT TEMPERATURE: 5°C/+48°C
  5. INGRESS PROTECTION: IP65
  6. CABLE RACEWAYS SHALL HAVE NO LESS THAN 20% SPARE CAPACITY.
  7. DIN RAIL TYPE: NS35
  8. BLUE SLOTTED CABLE TRUNKING WILL BE PROVIDED FOR INTRINSICALLY SAFE SIGNALS.

REFERENCE DRAWINGS	DWG.No.
xxxx	xxxx

### LEGEND

RESULT CODE:  AP  AN  CO  RE RESUBMISSION DATE:

NEXT STATUS:  IFI  IFA  IAF  ASB/IFIN

Approval or review hereunder shall not be construed to relieve Vendor/ Subcontractor of his responsibilities and liability under the Contract.

P.O. NO.:

M.R. NO.:

ITEM NO. (EQUIPMENT NO.):

VENDRO JOB NO.:

REV.	DATE	PURPOSE OF ISSUE (P.O.I.)	PREP.	CHKD.	APPR.	AC.
00	24/Mar/25	ISSUED FOR APPROVAL		RT	RB	SC

OWNER:



PROJECT:  
300 KT POLYETHYLENE PLANT  
ARYA SASOL POLYMER COMPANY (ASPC)

MC:  
ISBEDCO  
گروه صنعتی پتروشیمی

CONTRACTOR: SAZEH CONSULTANTS  
VENDOR: DYPNF

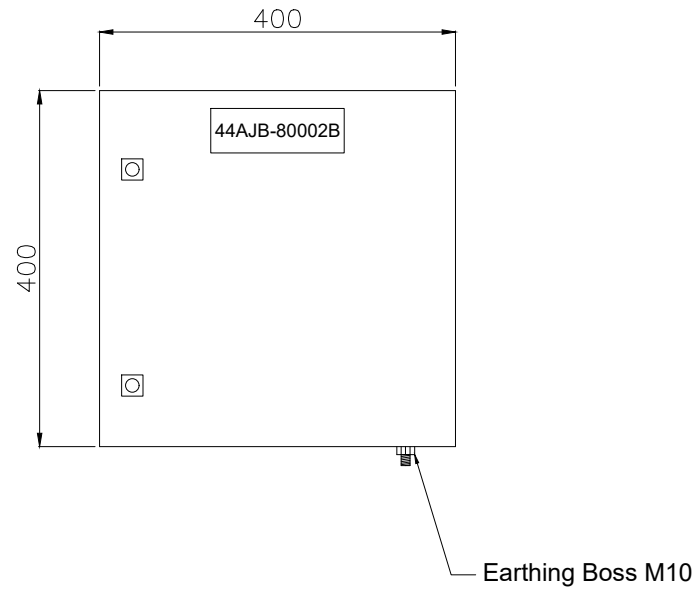
DRAWING TITLE:  
PANEL LAYOUT DRAWING  
LOCAL CONTROL PANEL 44LPS-80002B

OWNER PROJECT NO.	VENDOR DWG.	MR NO.	VENDOR CODE	DISCIPLINE	UNIT	TYPE	SEQ.
3944	VD	0171	DYP	RE	400	DWG	0003

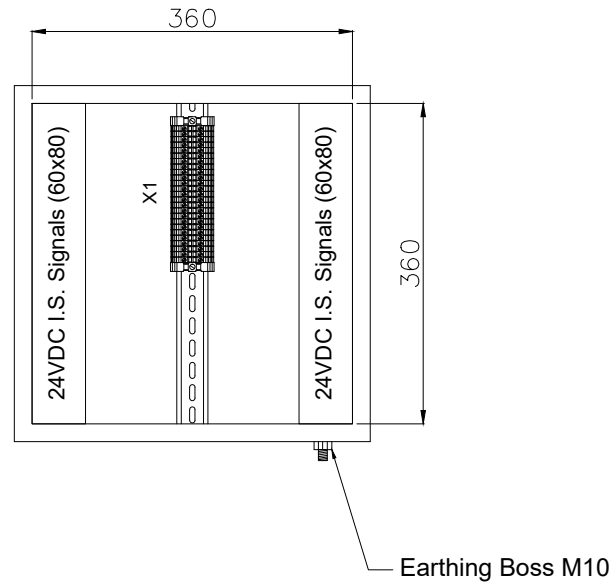
SCALE: NONE SIZE: A0 SHEET NO. 17 OF 33 REV. 00

# 44AJB-80002B

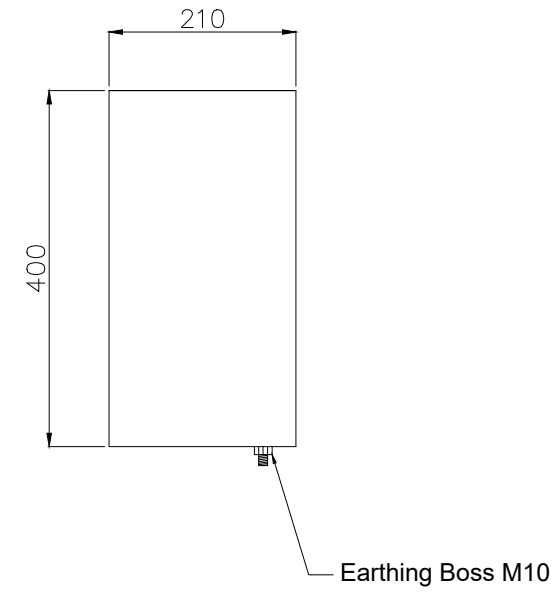
## Front Side (Outside) View



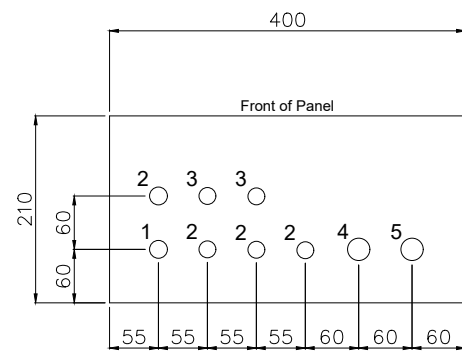
## Front Side (Inside) View



## Side (Outside) View



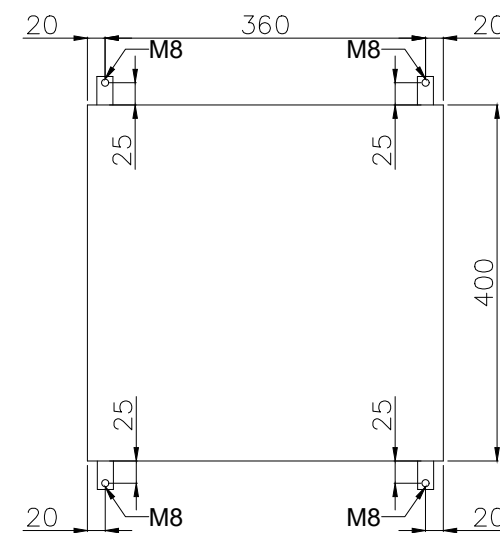
## Bottom View



## Gland Entry Details

1. M20 - 1x (Breather)
2. M20 - 4x (Cables from Transmitters)
3. M20 - 2x (Spare)
4. M25 - 1x (Multipair Cable from Customer)
5. M25 - 1x (Spare)

## Back (Outside) View Mounting Details



### GENERAL NOTES

- NOTES
1. PANEL DIMENSIONS: 400x400x210mm
  2. PANEL MATERIAL: SS316L STAINLESS STEEL
  3. AREA CLASSIFICATION: Ex II 3G IIC T3 Eex'e
  4. AMBIENT TEMPERATURE: 5°C/+48°C
  5. INGRESS PROTECTION: IP65
  6. CABLE RACEWAYS SHALL HAVE NO LESS THAN 20% SPARE CAPACITY.
  7. DIN RAIL TYPE: NS35
  8. BLUE SLOTTED CABLE TRUNKING WILL BE PROVIDED FOR INTRINSICALLY SAFE SIGNALS.

REFERENCE DRAWINGS	DWG.No.
xxxx	xxxx

### LEGEND

RESULT CODE:  AP  AN  CO  RE RESUBMISSION DATE:

NEXT STATUS:  IFI  IFA  IAF  ASB/IFIN

Approval or review hereunder shall not be construed to relieve Vendor/ Subcontractor of his responsibilities and liability under the Contract.

P.O. NO.:

M.R. NO.:

ITEM NO. (EQUIPMENT NO.):

VENDRO JOB NO.:

REV.	DATE	PURPOSE OF ISSUE (P.O.I.)	PREP.	CHKD.	APPR.	AC.
00	24/Mar/25	ISSUED FOR APPROVAL				

OWNER:



PROJECT:

300 KT POLYETHYLENE PLANT  
ARYA SASOL POLYMER COMPANY (ASPC)

MC:



CONTRACTOR:



VENDOR:



DRAWING TITLE:  
PANEL LAYOUT DRAWING  
LOCAL CONTROL PANEL 44AJB-80002B

OWNER DOC. NO.

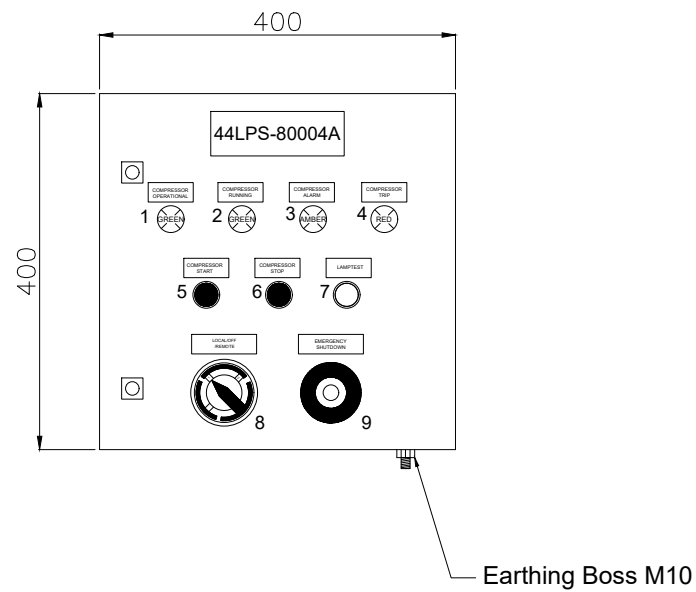
OWNER PROJECT NO.	VENDOR DWG.	MR NO.	VENDOR CODE	DISCIPLINE	UNIT	TYPE	SEQ.
3944	VD	0171	DYP	RE	400	DWG	0003

SCALE: NONE SIZE: A0 SHEET NO. 18 OF 33 REV. 00

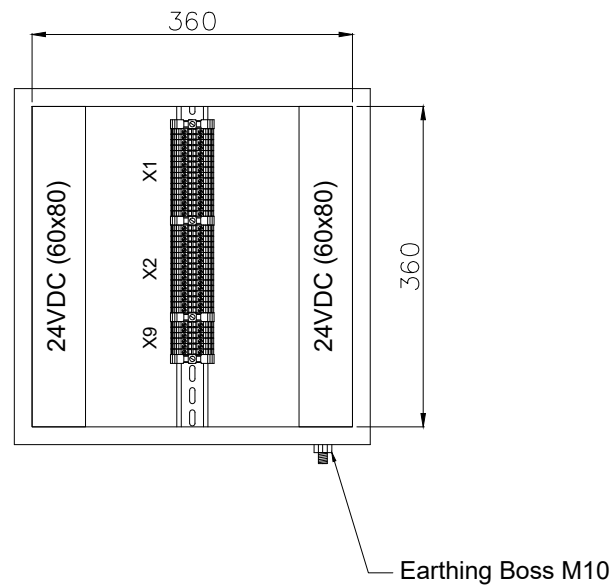


# 44LPS-80004A

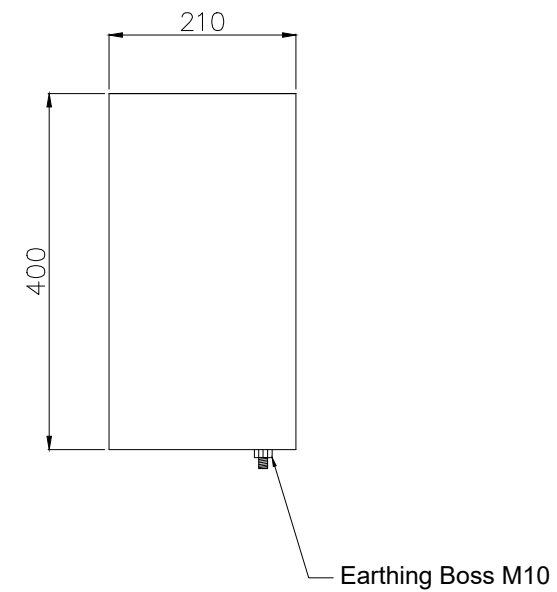
## Front Side (Outside) View



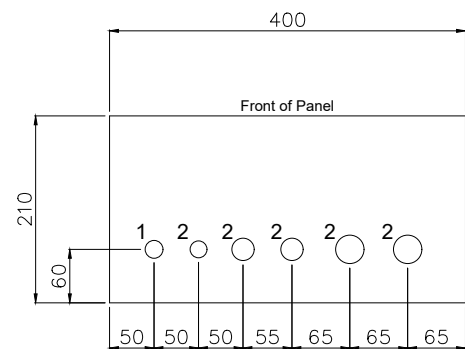
## Front Side (Inside) View



## Side (Outside) View



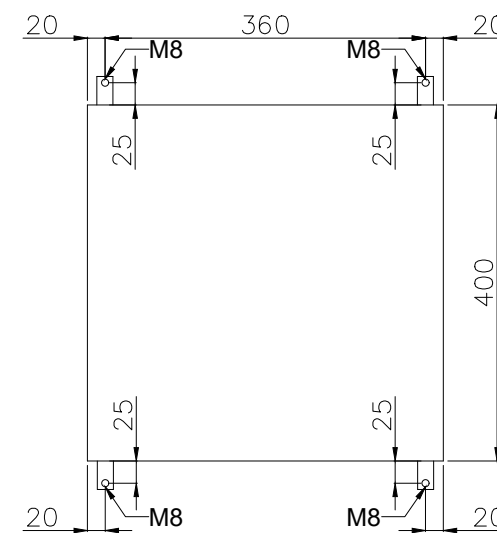
## Bottom View



## Gland Entry Details

1. M20 - 1x (Breather)
2. M20 - 1x (Spare)
3. M25 - 1x (Cable for ESD Pushbutton)
4. M25 - 1x (Spare)
5. M32 - 1x (Cable for Lamps & Pushbuttons)
6. M32 - 1x (Spare)

## Back (Outside) View Mounting Details



### GENERAL NOTES

- NOTES
1. PANEL DIMENSIONS: 400x400x210mm
  2. PANEL MATERIAL: SS316L STAINLESS STEEL
  3. AREA CLASSIFICATION: Ex II 3G IIC T3 Eex'e
  4. AMBIENT TEMPERATURE: 5°C/+48°C
  5. INGRESS PROTECTION: IP65
  6. CABLE RACEWAYS SHALL HAVE NO LESS THAN 20% SPARE CAPACITY.
  7. DIN RAIL TYPE: NS35
  8. BLUE SLOTTED CABLE TRUNKING WILL BE PROVIDED FOR INTRINSICALLY SAFE SIGNALS.

REFERENCE DRAWINGS	DWG.No.
xxxx	xxxx

### LEGEND

RESULT CODE:  AP  AN  CO  RE RESUBMISSION DATE:

NEXT STATUS:  IFI  IFA  JAF  ASB/IFIN

Approval or review hereunder shall not be construed to relieve Vendor/ Subcontractor of his responsibilities and liability under the Contract.

P.O. NO.:

M.R. NO.:

ITEM NO. (EQUIPMENT NO.):

VENDRO JOB NO.:

REV.	DATE	PURPOSE OF ISSUE (P.O.I.)	PREP.	CHKD.	APPR.	AC.
00	24/Mar/25	ISSUED FOR APPROVAL		RT	RB	SC

OWNER:



PROJECT:

300 KT POLYETHYLENE PLANT  
ARYA SASOL POLYMER COMPANY (ASPC)

MC:



CONTRACTOR:



VENDOR:



DRAWING TITLE:

PANEL LAYOUT DRAWING  
LOCAL CONTROL PANEL 44LPS-80004A

OWNER DOC. NO.

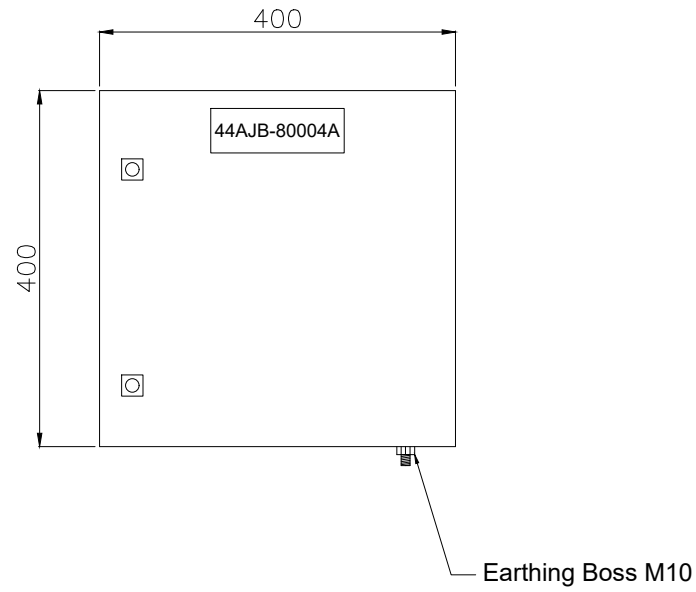
OWNER PROJECT NO.	VENDOR DWG.	MR NO.	VENDOR CODE	DISCIPLINE	UNIT	TYPE	SEQ.
3944	VD	0171	DYP	RE	400	DWG	0003

SCALE: NONE SIZE: A0 SHEET NO. 20 OF 33 REV. 00

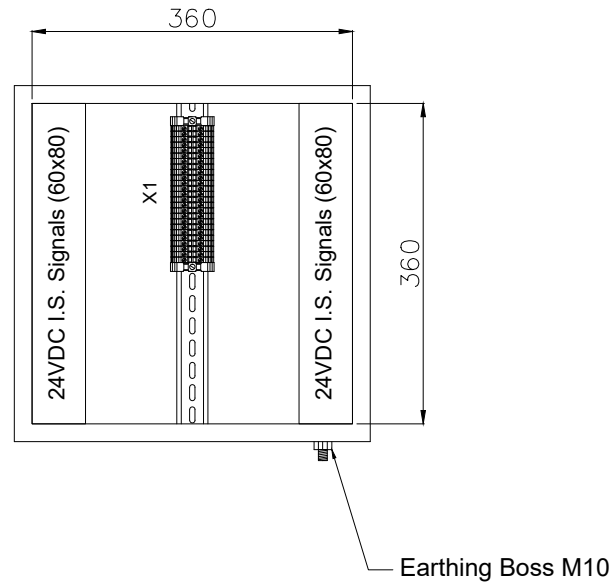
THIS DOCUMENT WITH ALL ITS RIGHTS IS THE PROPERTY OF A.S.P.C. AND MUST BE KEPT IN CONFIDENCE. NO DISCLOSURE, REPRODUCTION OR OTHER USE OF THE DOCUMENT IN WHOLE OR A PORTION IS TO BE MADE WITHOUT THE PRIOR CONSENT OF A.S.P.C.

# 44AJB-80004A

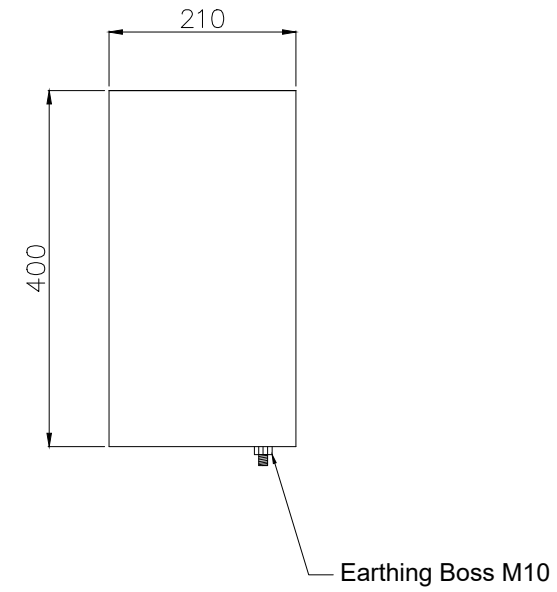
## Front Side (Outside) View



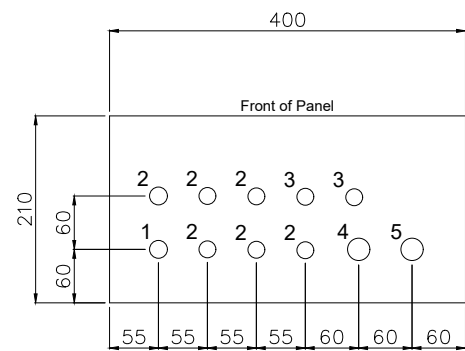
## Front Side (Inside) View



## Side (Outside) View



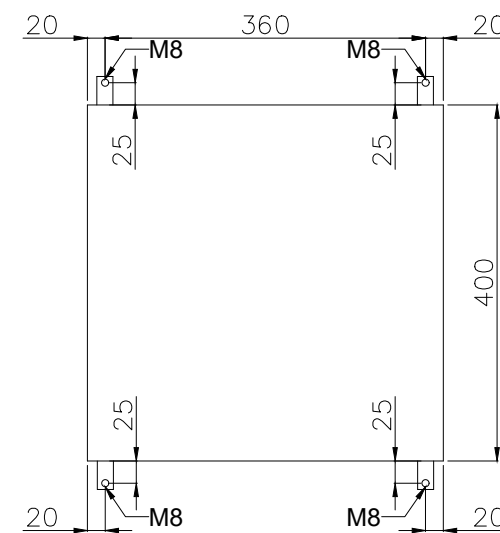
## Bottom View



## Gland Entry Details

1. M20 - 1x (Breather)
2. M20 - 6x (Cables from Transmitters)
3. M20 - 2x (Spare)
4. M25 - 1x (Multipair Cable from Customer)
5. M25 - 1x (Spare)

## Back (Outside) View Mounting Details



### GENERAL NOTES

- NOTES
1. PANEL DIMENSIONS: 400x400x210mm
  2. PANEL MATERIAL: SS316L STAINLESS STEEL
  3. AREA CLASSIFICATION: Ex II 3G IIC T3 Eex'e
  4. AMBIENT TEMPERATURE: 5°C/+48°C
  5. INGRESS PROTECTION: IP65
  6. CABLE RACEWAYS SHALL HAVE NO LESS THAN 20% SPARE CAPACITY.
  7. DIN RAIL TYPE: NS35
  8. BLUE SLOTTED CABLE TRUNKING WILL BE PROVIDED FOR INTRINSICALLY SAFE SIGNALS.

REFERENCE DRAWINGS	DWG.No.
xxxx	xxxx

### LEGEND

RESULT CODE:  AP  AN  CO  RE RESUBMISSION DATE:

NEXT STATUS:  IFI  IFA  IAF  ASB/IFIN

Approval or review hereunder shall not be construed to relieve Vendor/ Subcontractor of his responsibilities and liability under the Contract.

P.O. NO.:

M.R. NO.:

ITEM NO. (EQUIPMENT NO.):

VENDRO JOB NO.:

REV.	DATE	PURPOSE OF ISSUE (P.O.I.)	PREP.	CHKD.	APPR.	AC.
00	24/Mar/25	ISSUED FOR APPROVAL				

OWNER:



PROJECT:

300 KT POLYETHYLENE PLANT  
ARYA SASOL POLYMER COMPANY (ASPC)

MC:



CONTRACTOR:



DRAWING TITLE:

PANEL LAYOUT DRAWING  
LOCAL CONTROL PANEL 44AJB-80004A

OWNER DOC. NO.

OWNER PROJECT NO. 3944 VENDOR DWG. VD MR NO. 0171 VENDOR CODE DYP DISCIPLINE RE UNIT 400 TYPE DWG 0003 SEQ. 00

SCALE: NONE SIZE: A0 SHEET NO. 21 OF 33 REV. 00

No.	Description	Tag Number	Make	Model	Qty.
1	Operational Indication Lamp (Green)	3H4	Bartec	07-3353-120	1
2	Running Indication Lamp (Green)	3H6	Bartec	07-3353-120	1
3	Alarm Indication Lamp (Amber)	3H8	Bartec	07-3353-130	1
4	Trip Lamp (Red)	3H10	Bartec	07-3353-110	1
5	Start Pushbutton (Green)	2S4	Bartec	07-3353-400	1
6	Stop Pushbutton (Red)	2S6	Bartec	07-3353-400	1
7	Lamp Test Pushbutton (Black)	2S8	Bartec	07-3353-400	1
8	Selector Switch (Local/Off/Remote)	2S10	Bartec	05-0003-001000	1
9	Emergency Shutdown Pushbutton with Protective Cover	4S4	Bartec	05-0003-00 0800	1
Terminal Strip Definition					
X1	Connection Pushbuttons	X1	Phoenix Contact	3044102	16
X2	Connection Lamps	X2	Phoenix Contact	3044102	16
X9	Connection ESD Pushbutton	X9	Phoenix Contact	3044102	6

GENERAL NOTES	
NOTES 1. BILL OF MATERIALS (BOM) AS PER THE LATEST WIRING DIAGRAM.	
REFERENCE DRAWINGS	DWG.No.
xxxx	xxxx

LEGEND	

RESULT CODE: <input type="checkbox"/> AP <input type="checkbox"/> AN <input type="checkbox"/> CO <input type="checkbox"/> RE	RESUBMISSION DATE:
NEXT STATUS: <input type="checkbox"/> IFI <input type="checkbox"/> IFA <input type="checkbox"/> AFC <input type="checkbox"/> ASB/IFIN	
Approval or review hereunder shall not be construed to relieve Vendor/ Subcontractor of his responsibilities and liability under the Contract.	
P.O. NO.:	
M.R. NO.:	
ITEM NO. (EQUIPMENT NO.):	
VENDRO JOB NO.:	

REV.	DATE	PURPOSE OF ISSUE (P.O.I.)	PREP.	CHKD.	APPR.	AC.
00	24/Mar/25	ISSUED FOR APPROVAL	RT	RB	SC	-



PROJECT:  
300 KT POLYETHYLENE PLANT  
ARYA SASOL POLYMER COMPANY (ASPC)



DRAWING TITLE:  
PANEL LAYOUT DRAWING  
BILL OF MATERIALS FOR  
LOCAL CONTROL PANEL 44LPS-80004B

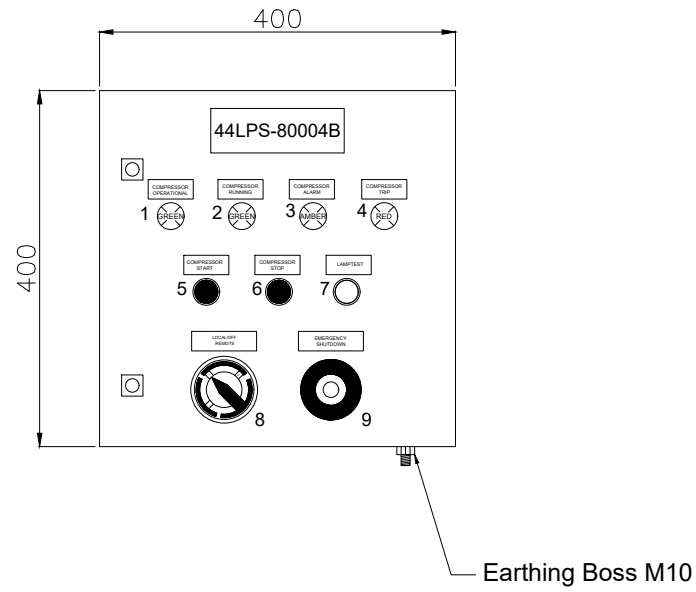
OWNER	PROJECT NO.	VENDOR DWG.	MR NO.	VENDOR CODE	DISCIPLINE	UNIT	TYPE	SEQ.
3944	VD	0171	DYP	RE	400	DWG	0003	

SCALE: NONE SIZE: A0 SHEET NO. 22 OF 33 REV. 00

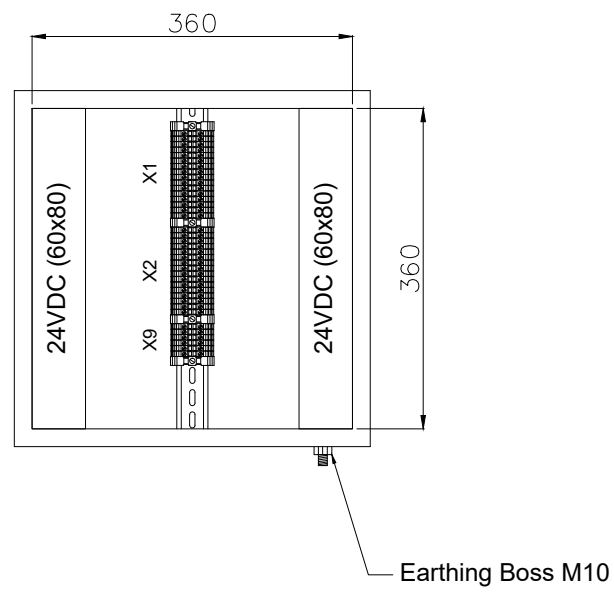
THIS DOCUMENT WITH ALL ITS RIGHTS IS THE PROPERTY OF A.S.P.C. AND MUST BE KEPT IN CONFIDENCE. NO DISCLOSURE, REPRODUCTION OR OTHER USE OF THE DOCUMENT IN WHOLE OR A PORTIONS TO BE MADE WITHOUT THE PRIOR CONSENT OF A.S.P.C.

# 44LPS-80004B

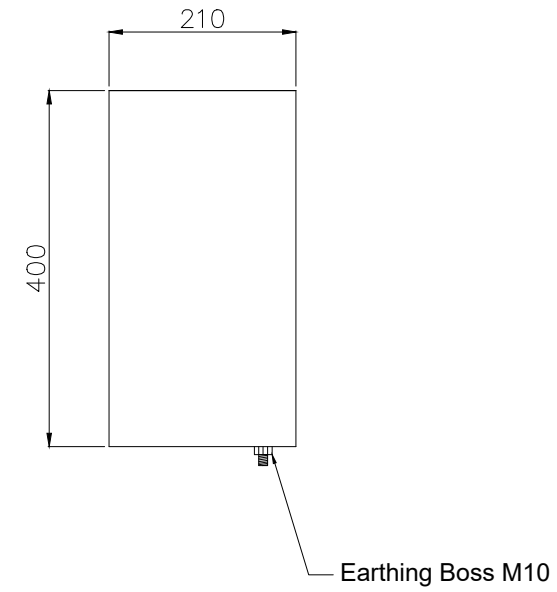
## Front Side (Outside) View



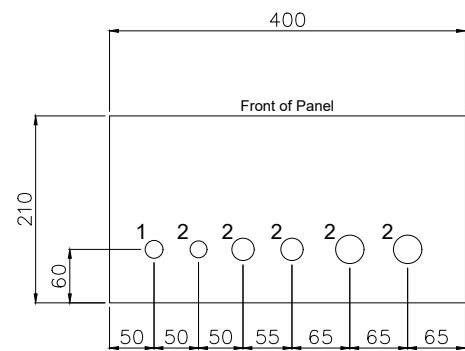
## Front Side (Inside) View



## Side (Outside) View



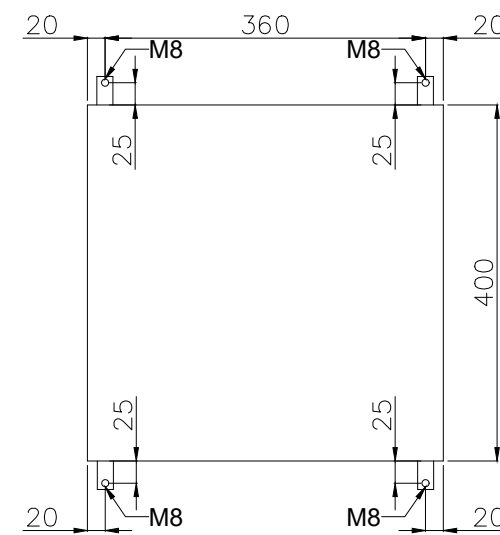
## Bottom View



## Gland Entry Details

1. M20 - 1x (Breather)
2. M20 - 1x (Spare)
3. M25 - 1x (Cable for ESD Pushbutton)
4. M25 - 1x (Spare)
5. M32 - 1x (Cable for Lamps & Pushbuttons)
6. M32 - 1x (Spare)

## Back (Outside) View Mounting Details



### GENERAL NOTES

- NOTES
1. PANEL DIMENSIONS: 400x400x210mm
  2. PANEL MATERIAL: SS316L STAINLESS STEEL
  3. AREA CLASSIFICATION: Ex II 3G IIC T3 Eex'e
  4. AMBIENT TEMPERATURE: 5°C/+48°C
  5. INGRESS PROTECTION: IP65
  6. CABLE RACEWAYS SHALL HAVE NO LESS THAN 20% SPARE CAPACITY.
  7. DIN RAIL TYPE: NS35
  8. BLUE SLOTTED CABLE TRUNKING WILL BE PROVIDED FOR INTRINSICALLY SAFE SIGNALS.

REFERENCE DRAWINGS	DWG.No.
xxxx	xxxx

### LEGEND

RESULT CODE:  AP  AN  CO  RE RESUBMISSION DATE:

NEXT STATUS:  IFI  IFA  IAF  ASB/IFIN

Approval or review hereunder shall not be construed to relieve Vendor/ Subcontractor of his responsibilities and liability under the Contract.

P.O. NO.:

M.R. NO.:

ITEM NO. (EQUIPMENT NO.):

VENDRO JOB NO.:

REV.	DATE	PURPOSE OF ISSUE (P.O.I.)	PREP.	CHKD.	APPR.	AC.
00	24/Mar/25	ISSUED FOR APPROVAL				

OWNER:



PROJECT:

300 KT POLYETHYLENE PLANT  
ARYA SASOL POLYMER COMPANY (ASPC)

MC:



CONTRACTOR:



DRAWING TITLE:

PANEL LAYOUT DRAWING  
LOCAL CONTROL PANEL 44LPS-80004B

OWNER DOC. NO.

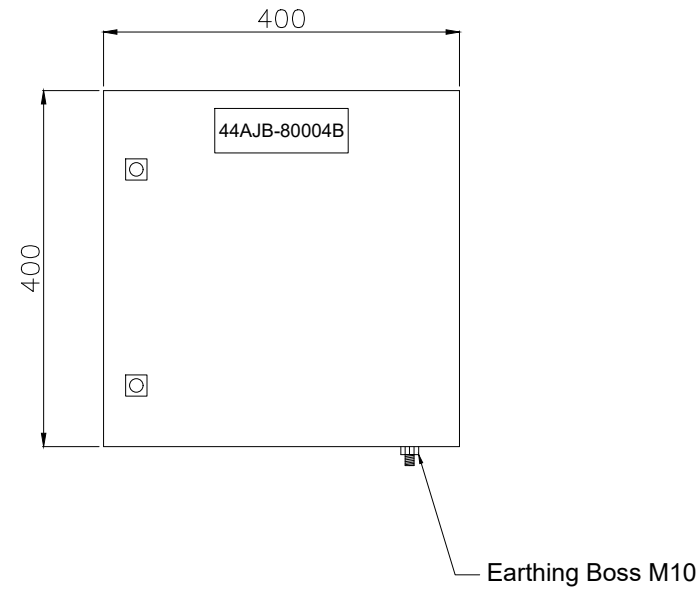
OWNER PROJECT NO. VENDOR DWG. MR NO. VENDOR CODE DISCIPLINE UNIT TYPE SEQ.

3944 VD 0171 DYP RE 400 DWG 0003

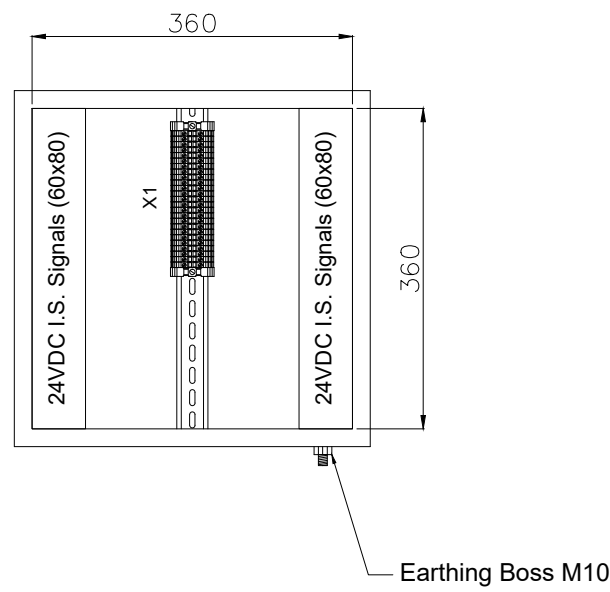
SCALE: NONE SIZE: A0 SHEET NO. 23 OF 33 REV. 00

# 44AJB-80004B

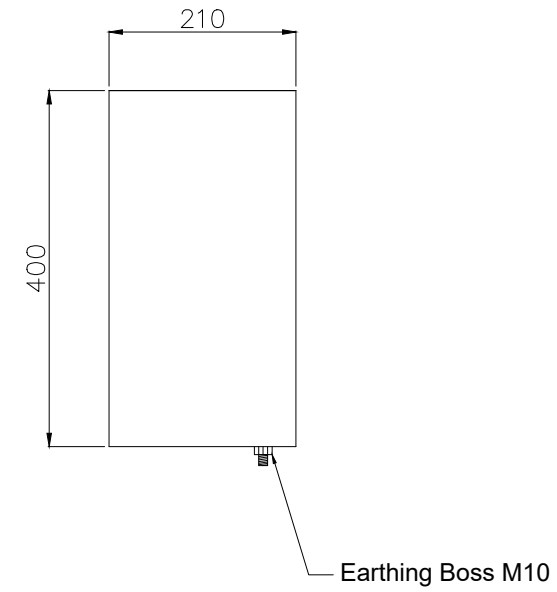
## Front Side (Outside) View



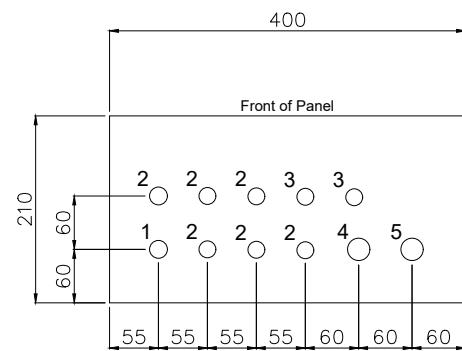
## Front Side (Inside) View



## Side (Outside) View



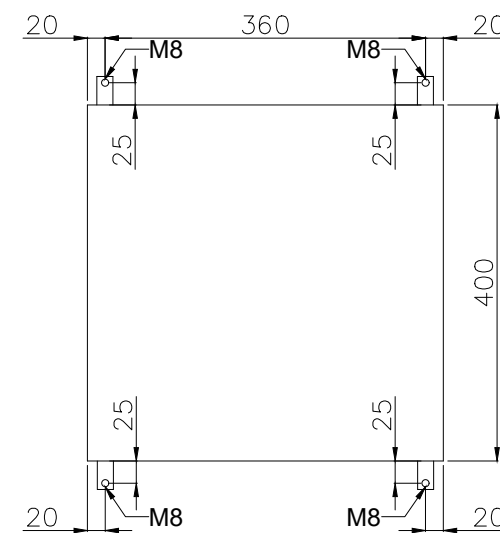
## Bottom View



## Gland Entry Details

1. M20 - 1x (Breather)
2. M20 - 6x (Cables from Transmitters)
3. M20 - 2x (Spare)
4. M25 - 1x (Multipair Cable from Customer)
5. M25 - 1x (Spare)

## Back (Outside) View Mounting Details



### GENERAL NOTES

- NOTES
1. PANEL DIMENSIONS: 400x400x210mm
  2. PANEL MATERIAL: SS316L STAINLESS STEEL
  3. AREA CLASSIFICATION: Ex II 3G IIC T3 Eex'e
  4. AMBIENT TEMPERATURE: 5°C/+48°C
  5. INGRESS PROTECTION: IP65
  6. CABLE RACEWAYS SHALL HAVE NO LESS THAN 20% SPARE CAPACITY.
  7. DIN RAIL TYPE: NS35
  8. BLUE SLOTTED CABLE TRUNKING WILL BE PROVIDED FOR INTRINSICALLY SAFE SIGNALS.

REFERENCE DRAWINGS	DWG.No.
xxxx	xxxx

### LEGEND

RESULT CODE:  AP  AN  CO  RE RESUBMISSION DATE:

NEXT STATUS:  IFI  IFA  IAF  ASB/IFIN

Approval or review hereunder shall not be construed to relieve Vendor/ Subcontractor of his responsibilities and liability under the Contract.

P.O. NO.:

M.R. NO.:

ITEM NO. (EQUIPMENT NO.):

VENDRO JOB NO.:

REV.	DATE	PURPOSE OF ISSUE (P.O.I)	PREP.	CHKD.	APPR.	AC.
00	24/Mar/25	ISSUED FOR APPROVAL				

OWNER:



PROJECT:  
300 KT POLYETHYLENE PLANT  
ARYA SASOL POLYMER COMPANY (ASPC)

MC:  
ISBEDCO  
گروه صنعتی پتروشیمی

CONTRACTOR: SAZEH CONSULTANTS  
VENDOR: DYPNF

DRAWING TITLE:  
PANEL LAYOUT DRAWING  
LOCAL CONTROL PANEL 44AJB-80004B

OWNER PROJECT NO.	VENDOR DWG.	MR NO.	VENDOR CODE	DISCIPLINE	UNIT	TYPE	SEQ.
3944	VD	0171	DYP	RE	400	DWG	0003

SCALE: NONE SIZE: A0 SHEET NO. 24 OF 33 REV. 00

No.	Description	Tag Number	Make	Model	Qty.
1	Operational Indication Lamp (Green)	3H4	Bartec	07-3353-120	1
2	Running Indication Lamp (Green)	3H6	Bartec	07-3353-120	1
3	Alarm Indication Lamp (Amber)	3H8	Bartec	07-3353-130	1
4	Trip Lamp (Red)	3H10	Bartec	07-3353-110	1
5	Start Pushbutton (Green)	2S4	Bartec	07-3353-400	1
6	Stop Pushbutton (Red)	2S6	Bartec	07-3353-400	1
7	Lamp Test Pushbutton (Black)	2S8	Bartec	07-3353-400	1
8	Selector Switch (Local/Off/Remote)	2S10	Bartec	05-0003-001000	1
9	Emergency Shutdown Pushbutton with Protective Cover	4S4	Bartec	05-0003-00 0800	1
Terminal Strip Definition					
X1	Connection Pushbuttons	X1	Phoenix Contact	3044102	16
X2	Connection Lamps	X2	Phoenix Contact	3044102	16
X9	Connection ESD Pushbutton	X9	Phoenix Contact	3044102	6

GENERAL NOTES	
NOTES 1. BILL OF MATERIALS (BOM) AS PER THE LATEST WIRING DIAGRAM.	
REFERENCE DRAWINGS	DWG.No.
xxxx	xxxx

LEGEND	

RESULT CODE: <input type="checkbox"/> AP <input type="checkbox"/> AN <input type="checkbox"/> CO <input type="checkbox"/> RE	RESUBMISSION DATE:
NEXT STATUS: <input type="checkbox"/> IFI <input type="checkbox"/> IFA <input type="checkbox"/> AFC <input type="checkbox"/> ASB/IFIN	



Approval or review hereunder shall not be construed to relieve Vendor/ Subcontractor of his responsibilities and liability under the Contract.

P.O. NO.:  
M.R. NO.:  
ITEM NO. (EQUIPMENT NO.):  
VENDRO JOB NO.:

REV.	DATE	PURPOSE OF ISSUE (P.O.I.)	PREP.	CHKD.	APPR.	AC.
00	24/Mar/25	ISSUED FOR APPROVAL	RT	RB	SC	-

OWNER:  


PROJECT:  
 300 KT POLYETHYLENE PLANT  
 ARYA SASOL POLYMER COMPANY (ASPC)

MC:  



CONTRACTOR:  



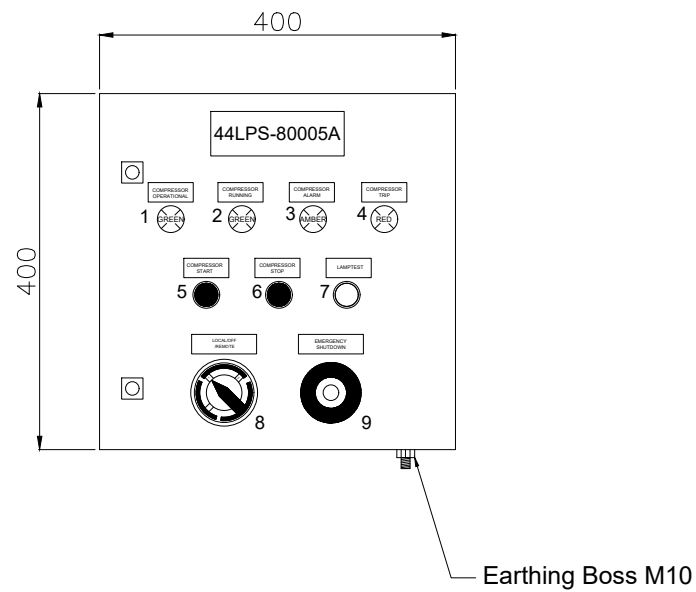
VENDOR:  


DRAWING TITLE:  
 PANEL LAYOUT DRAWING  
 BILL OF MATERIALS FOR  
 LOCAL CONTROL PANEL 44LPS-80005A  
 OWNER DOC. NO.

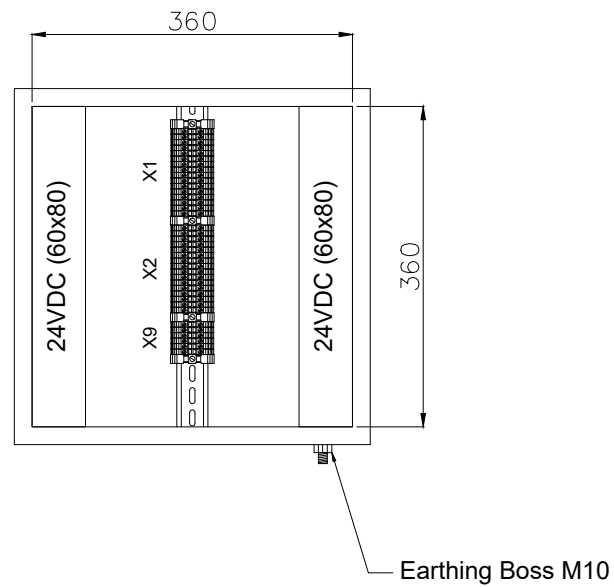
OWNER PROJECT NO.	VENDOR DWG.	MR NO.	VENDOR CODE	DISCIPLINE	UNIT	TYPE	SEQ.
3944	VD	0171	DYP	RE	400	DWG	0003
SCALE:	NONE	SIZE:	A0	SHEET NO.	25 OF 33	REV.	00

# 44LPS-80005A

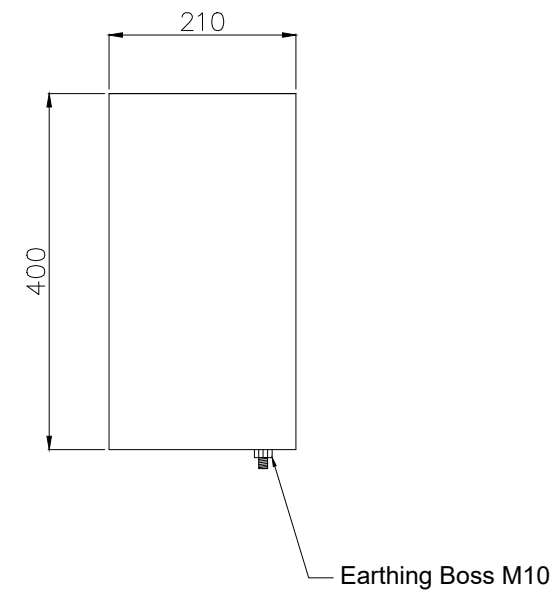
## Front Side (Outside) View



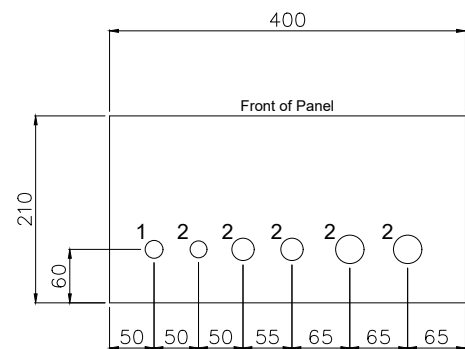
## Front Side (Inside) View



## Side (Outside) View



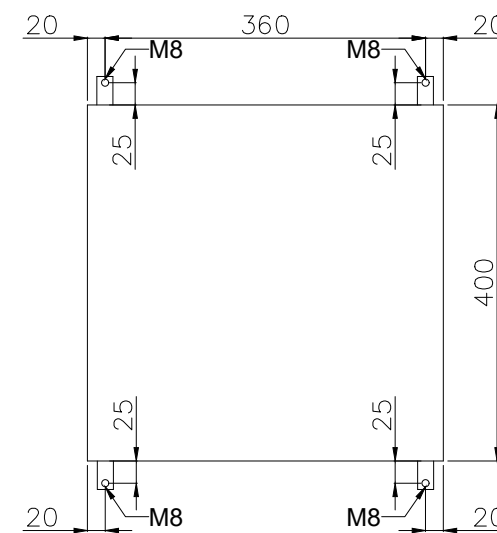
## Bottom View



## Gland Entry Details

1. M20 - 1x (Breather)
2. M20 - 1x (Spare)
3. M25 - 1x (Cable for ESD Pushbutton)
4. M25 - 1x (Spare)
5. M32 - 1x (Cable for Lamps & Pushbuttons)
6. M32 - 1x (Spare)

## Back (Outside) View Mounting Details



### GENERAL NOTES

- NOTES
1. PANEL DIMENSIONS: 400x400x210mm
  2. PANEL MATERIAL: SS316L STAINLESS STEEL
  3. AREA CLASSIFICATION: Ex II 3G IIC T3 Eex'e
  4. AMBIENT TEMPERATURE: 5°C/+48°C
  5. INGRESS PROTECTION: IP65
  6. CABLE RACEWAYS SHALL HAVE NO LESS THAN 20% SPARE CAPACITY.
  7. DIN RAIL TYPE: NS35
  8. BLUE SLOTTED CABLE TRUNKING WILL BE PROVIDED FOR INTRINSICALLY SAFE SIGNALS.

REFERENCE DRAWINGS	DWG.No.
xxxx	xxxx

### LEGEND

RESULT CODE:  AP  AN  CO  RE RESUBMISSION DATE:

NEXT STATUS:  IFI  IFA  IAF  ASB/IFIN

Approval or review hereunder shall not be construed to relieve Vendor/ Subcontractor of his responsibilities and liability under the Contract.

P.O. NO.:

M.R. NO.:

ITEM NO. (EQUIPMENT NO.):

VENDRO JOB NO.:

REV.	DATE	PURPOSE OF ISSUE (P.O.I.)	PREP.	CHKD.	APPR.	AC.
00	24/Mar/25	ISSUED FOR APPROVAL		RT	RB	SC

OWNER:



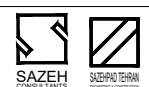
PROJECT:

300 KT POLYETHYLENE PLANT  
ARYA SASOL POLYMER COMPANY (ASPC)

MC:



CONTRACTOR:



VENDOR:



DRAWING TITLE:

PANEL LAYOUT DRAWING  
LOCAL CONTROL PANEL 44LPS-80005A

OWNER DOC. NO.

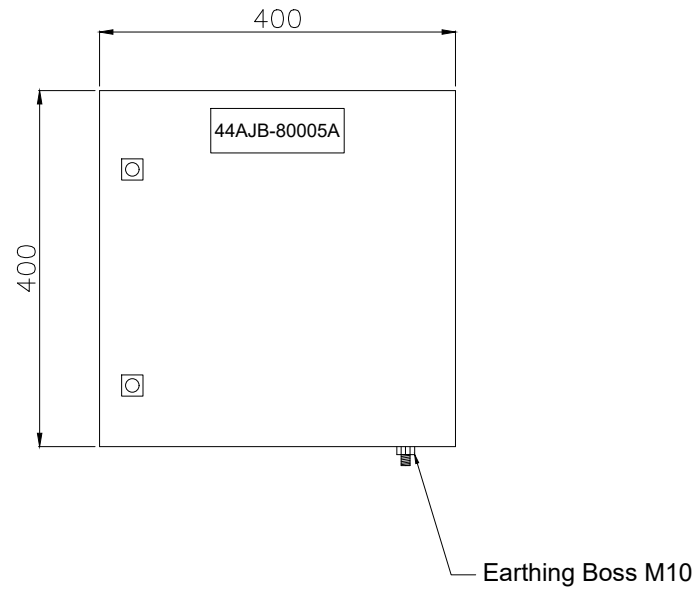
OWNER PROJECT NO.	VENDOR DWG.	MR NO.	VENDOR CODE	DISCIPLINE	UNIT	TYPE	SEQ.
3944	VD	0171	DYP	RE	400	DWG	0003

SCALE: NONE SIZE: A0 SHEET NO. 26 OF 33 REV. 00

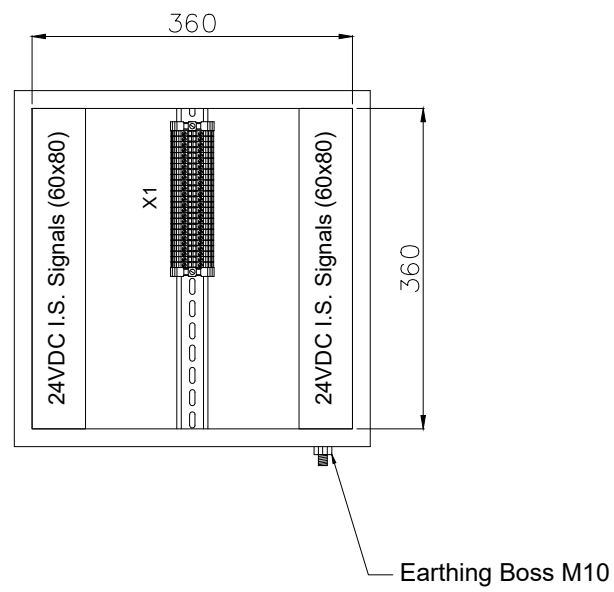
THIS DOCUMENT WITH ALL ITS RIGHTS IS THE PROPERTY OF A.S.P.C. AND MUST BE HELD IN CONFIDENCE. NO DISCLOSURE, REPRODUCTION OR OTHER USE OF THE DOCUMENT IN WHOLE OR A PORTIONS TO BE MADE WITHOUT THE PRIOR CONSENT OF A.S.P.C.

# 44AJB-80005A

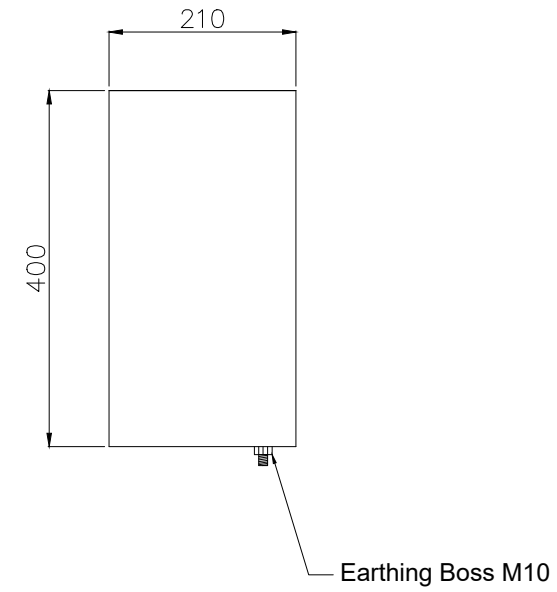
## Front Side (Outside) View



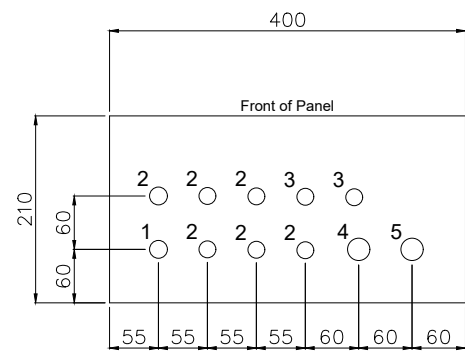
## Front Side (Inside) View



## Side (Outside) View



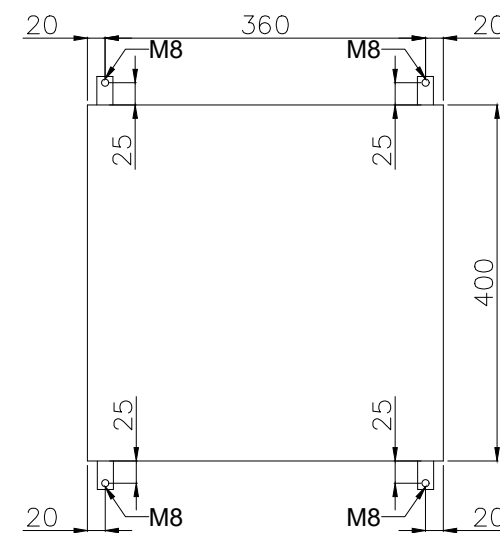
## Bottom View



## Gland Entry Details

1. M20 - 1x (Breather)
2. M20 - 6x (Cables from Transmitters)
3. M20 - 2x (Spare)
4. M25 - 1x (Multipair Cable from Customer)
5. M25 - 1x (Spare)

## Back (Outside) View Mounting Details



### GENERAL NOTES

- NOTES
1. PANEL DIMENSIONS: 400x400x210mm
  2. PANEL MATERIAL: SS316L STAINLESS STEEL
  3. AREA CLASSIFICATION: Ex II 3G IIC T3 Eex'e
  4. AMBIENT TEMPERATURE: 5°C/+48°C
  5. INGRESS PROTECTION: IP65
  6. CABLE RACEWAYS SHALL HAVE NO LESS THAN 20% SPARE CAPACITY.
  7. DIN RAIL TYPE: NS35
  8. BLUE SLOTTED CABLE TRUNKING WILL BE PROVIDED FOR INTRINSICALLY SAFE SIGNALS.

REFERENCE DRAWINGS	DWG.No.
xxxx	xxxx

### LEGEND

RESULT CODE:  AP  AN  CO  RE RESUBMISSION DATE:

NEXT STATUS:  IFI  IFA  IAF  ASB/IFIN

Approval or review hereunder shall not be construed to relieve Vendor/ Subcontractor of his responsibilities and liability under the Contract.

P.O. NO.:

M.R. NO.:

ITEM NO. (EQUIPMENT NO.):

VENDRO JOB NO.:

REV.	DATE	PURPOSE OF ISSUE (P.O.I)	PREP.	CHKD.	APPR.	AC.
00	24/Mar/25	ISSUED FOR APPROVAL				

OWNER:



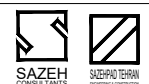
PROJECT:

300 KT POLYETHYLENE PLANT  
ARYA SASOL POLYMER COMPANY (ASPC)

MC:



CONTRACTOR:



VENDOR:



DRAWING TITLE:

PANEL LAYOUT DRAWING  
LOCAL CONTROL PANEL 44AJB-80005A

OWNER DOC. NO.

OWNER PROJECT NO.	VENDOR DWG.	MR NO.	VENDOR CODE	DISCIPLINE	UNIT	TYPE	SEQ.
3944	VD	0171	DYP	RE	400	DWG	0003

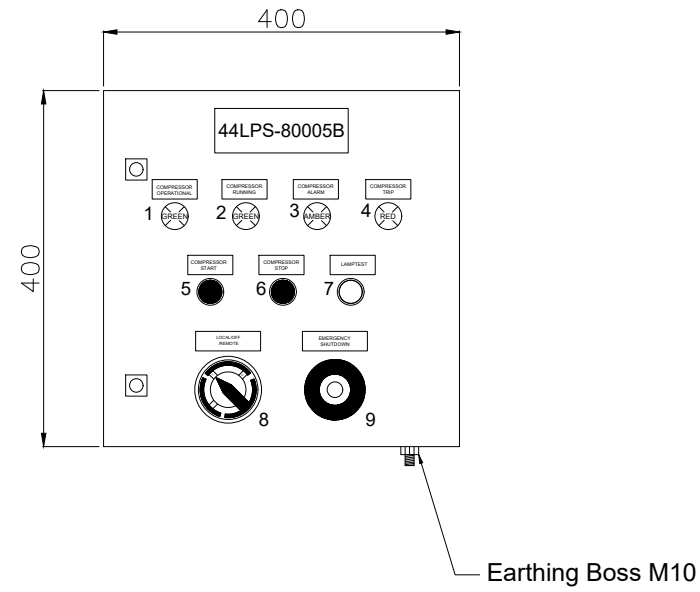
SCALE: NONE SIZE: A0 SHEET NO. 27 OF 33 REV. 00

THIS DOCUMENT WITH ALL ITS RIGHTS IS THE PROPERTY OF A.S.P.C. AND MUST BE HELD IN CONFIDENCE. NO DISCLOSURE, REPRODUCTION OR OTHER USE OF THE DOCUMENT IN WHOLE OR A PORTIONS TO BE MADE WITHOUT THE PRIOR CONSENT OF A.S.P.C.

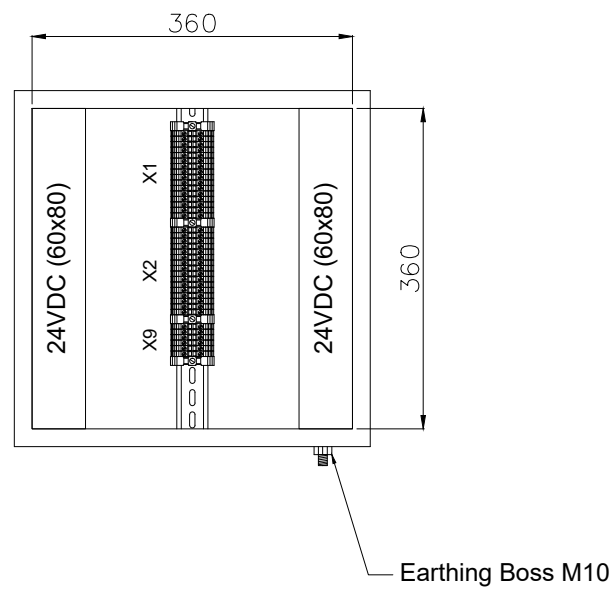


# 44LPS-80005B

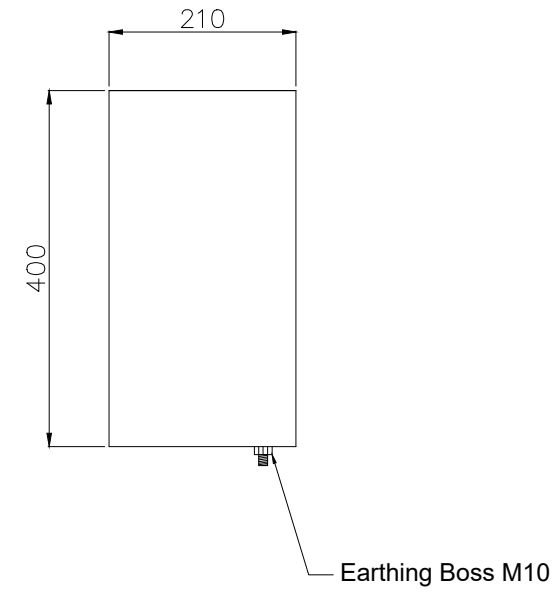
## Front Side (Outside) View



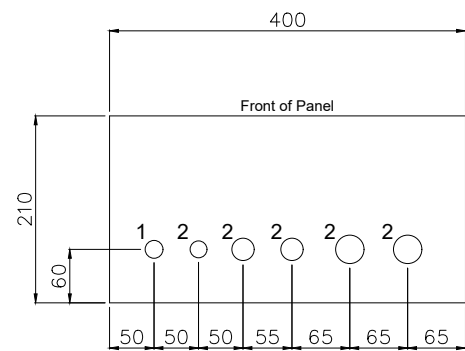
## Front Side (Inside) View



## Side (Outside) View



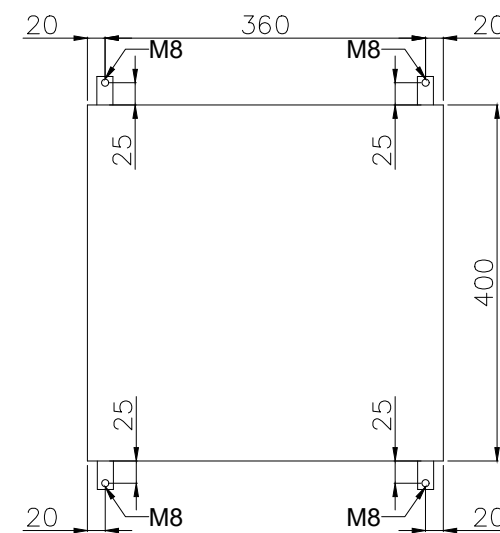
## Bottom View



## Gland Entry Details

1. M20 - 1x (Breather)
2. M20 - 1x (Spare)
3. M25 - 1x (Cable for ESD Pushbutton)
4. M25 - 1x (Spare)
5. M32 - 1x (Cable for Lamps & Pushbuttons)
6. M32 - 1x (Spare)

## Back (Outside) View Mounting Details



### GENERAL NOTES

- NOTES
1. PANEL DIMENSIONS: 400x400x210mm
  2. PANEL MATERIAL: SS316L STAINLESS STEEL
  3. AREA CLASSIFICATION: Ex II 3G IIC T3 Eex'e
  4. AMBIENT TEMPERATURE: 5°C/+48°C
  5. INGRESS PROTECTION: IP65
  6. CABLE RACEWAYS SHALL HAVE NO LESS THAN 20% SPARE CAPACITY.
  7. DIN RAIL TYPE: NS35
  8. BLUE SLOTTED CABLE TRUNKING WILL BE PROVIDED FOR INTRINSICALLY SAFE SIGNALS.

REFERENCE DRAWINGS	DWG.No.
xxxx	xxxx

### LEGEND

RESULT CODE:  AP  AN  CO  RE RESUBMISSION DATE:

NEXT STATUS:  IFI  IFA  IAF  ASB/IFIN

Approval or review hereunder shall not be construed to relieve Vendor/ Subcontractor of his responsibilities and liability under the Contract.

P.O. NO.:

M.R. NO.:

ITEM NO. (EQUIPMENT NO.):

VENDRO JOB NO.:

REV.	DATE	PURPOSE OF ISSUE (P.O.I.)	PREP.	CHKD.	APPR.	AC.
00	24/Mar/25	ISSUED FOR APPROVAL				

OWNER:



PROJECT:

300 KT POLYETHYLENE PLANT  
ARYA SASOL POLYMER COMPANY (ASPC)

MC:



CONTRACTOR:



DRAWING TITLE:

PANEL LAYOUT DRAWING  
LOCAL CONTROL PANEL 44LPS-80005B

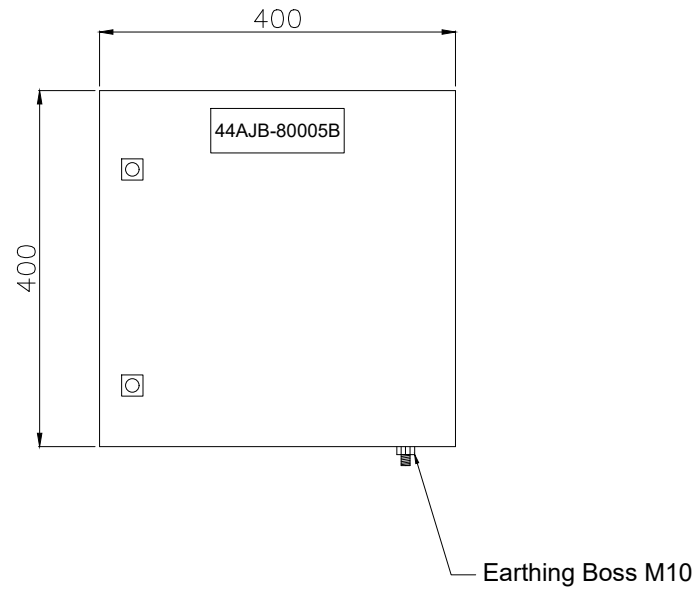
OWNER DOC. NO.

OWNER PROJECT NO.	VENDOR DWG.	MR NO.	VENDOR CODE	DISCIPLINE	UNIT	TYPE	SEQ.
3944	VD	0171	DYP	RE	400	DWG	0003

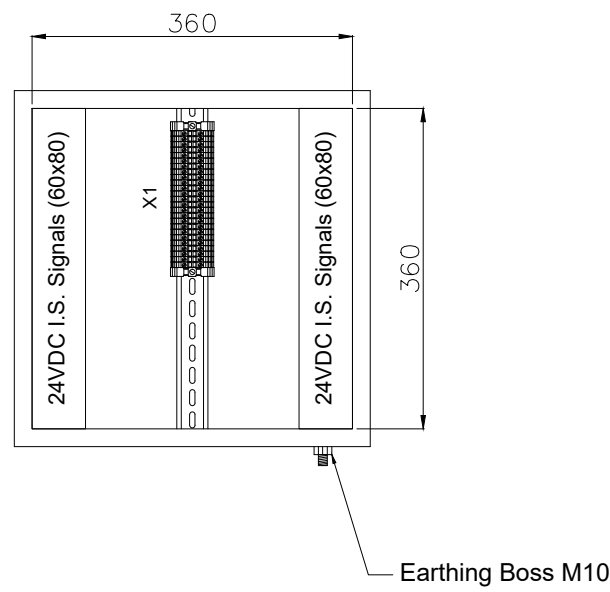
SCALE: NONE SIZE: A0 SHEET NO. 29 OF 33 REV. 00

# 44AJB-80005B

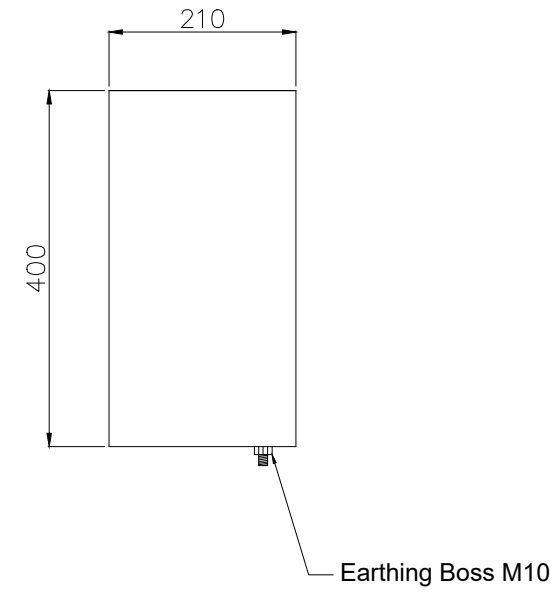
## Front Side (Outside) View



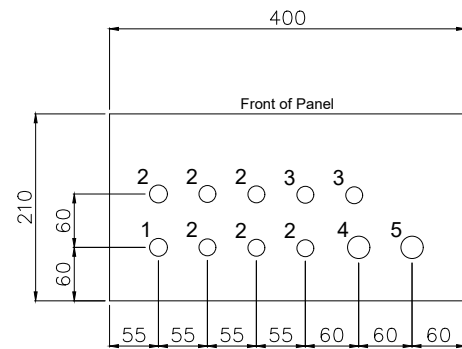
## Front Side (Inside) View



## Side (Outside) View



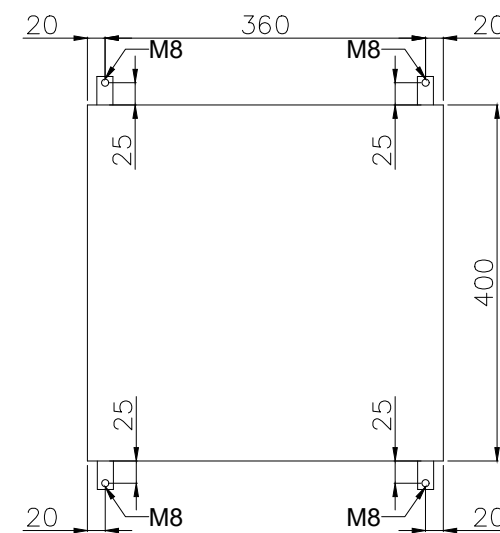
## Bottom View



## Gland Entry Details

1. M20 - 1x (Breather)
2. M20 - 6x (Cables from Transmitters)
3. M20 - 2x (Spare)
4. M25 - 1x (Multipair Cable from Customer)
5. M25 - 1x (Spare)

## Back (Outside) View Mounting Details



### GENERAL NOTES

- NOTES
1. PANEL DIMENSIONS: 400x400x210mm
  2. PANEL MATERIAL: SS316L STAINLESS STEEL
  3. AREA CLASSIFICATION: Ex II 3G IIC T3 Eex'e
  4. AMBIENT TEMPERATURE: 5°C/+48°C
  5. INGRESS PROTECTION: IP65
  6. CABLE RACEWAYS SHALL HAVE NO LESS THAN 20% SPARE CAPACITY.
  7. DIN RAIL TYPE: NS35
  8. BLUE SLOTTED CABLE TRUNKING WILL BE PROVIDED FOR INTRINSICALLY SAFE SIGNALS.

REFERENCE DRAWINGS	DWG.No.
xxxx	xxxx

### LEGEND

RESULT CODE:  AP  AN  CO  RE RESUBMISSION DATE:

NEXT STATUS:  IFI  IFA  IAF  ASB/IFIN

Approval or review hereunder shall not be construed to relieve Vendor/ Subcontractor of his responsibilities and liability under the Contract.

P.O. NO.:

M.R. NO.:

ITEM NO. (EQUIPMENT NO.):

VENDRO JOB NO.:

REV.	DATE	PURPOSE OF ISSUE (P.O.I.)	PREP.	CHKD.	APPR.	AC.
00	24/Mar/25	ISSUED FOR APPROVAL				

OWNER:



PROJECT:  
300 KT POLYETHYLENE PLANT  
ARYA SASOL POLYMER COMPANY (ASPC)

MC:  
ISBEDCO  
گروه صنعتی پتروشیمی

CONTRACTOR: SAZEH CONSULTANTS  
VENDOR: DYPNF

DRAWING TITLE:  
PANEL LAYOUT DRAWING  
LOCAL CONTROL PANEL 44AJB-80005B

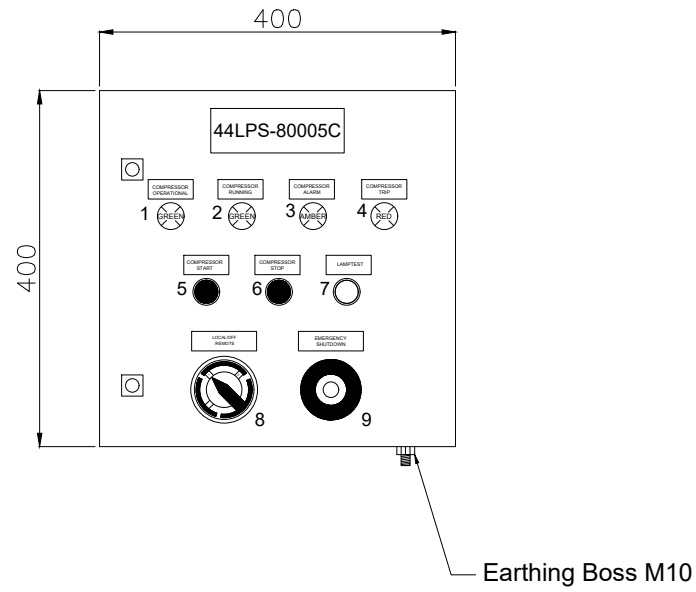
OWNER PROJECT NO.	VENDOR DWG.	MR NO.	VENDOR CODE	DISCIPLINE	UNIT	TYPE	SEQ.
3944	VD	0171	DYP	RE	400	DWG	0003

SCALE: NONE SIZE: A0 SHEET NO. 30 OF 33 REV. 00

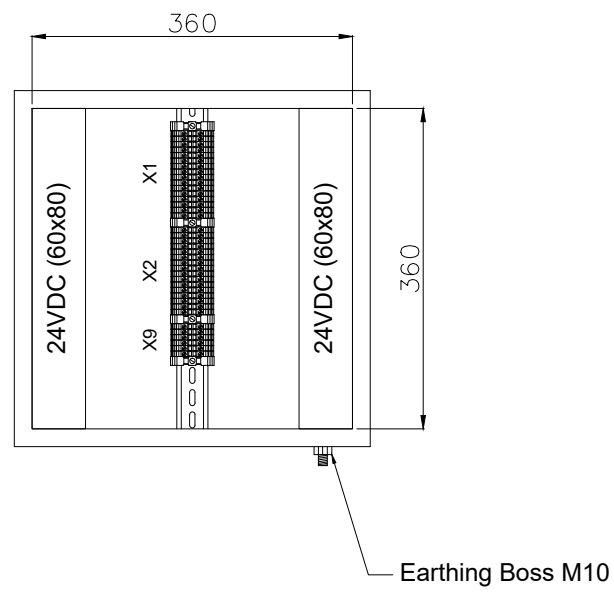


# 44LPS-80005C

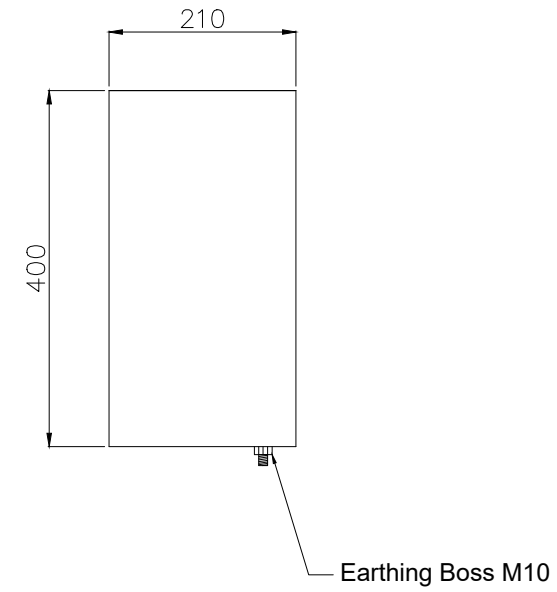
## Front Side (Outside) View



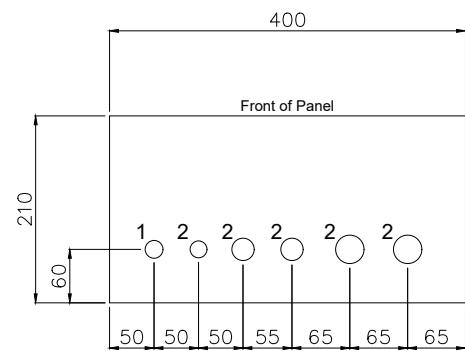
## Front Side (Inside) View



## Side (Outside) View



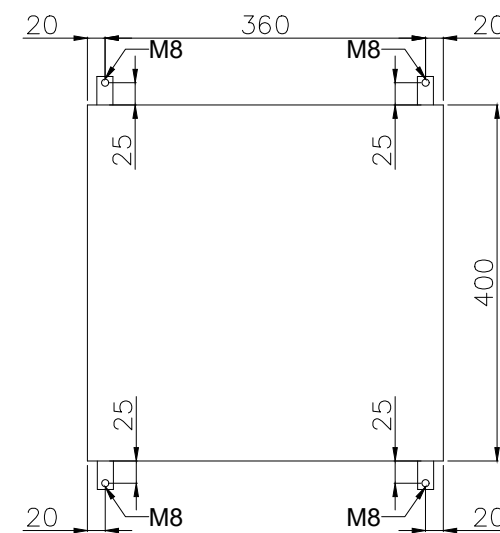
## Bottom View



## Gland Entry Details

1. M20 - 1x (Breather)
2. M20 - 1x (Spare)
3. M25 - 1x (Cable for ESD Pushbutton)
4. M25 - 1x (Spare)
5. M32 - 1x (Cable for Lamps & Pushbuttons)
6. M32 - 1x (Spare)

## Back (Outside) View Mounting Details



### GENERAL NOTES

- NOTES
1. PANEL DIMENSIONS: 400x400x210mm
  2. PANEL MATERIAL: SS316L STAINLESS STEEL
  3. AREA CLASSIFICATION: Ex II 3G IIC T3 Eex'e
  4. AMBIENT TEMPERATURE: 5°C/+48°C
  5. INGRESS PROTECTION: IP65
  6. CABLE RACEWAYS SHALL HAVE NO LESS THAN 20% SPARE CAPACITY.
  7. DIN RAIL TYPE: NS35
  8. BLUE SLOTTED CABLE TRUNKING WILL BE PROVIDED FOR INTRINSICALLY SAFE SIGNALS.

REFERENCE DRAWINGS	DWG.No.
xxxx	xxxx

### LEGEND

RESULT CODE:  AP  AN  CO  RE RESUBMISSION DATE:

NEXT STATUS:  IFI  IFA  IAF  ASB/IFIN

Approval or review hereunder shall not be construed to relieve Vendor/ Subcontractor of his responsibilities and liability under the Contract.

P.O. NO.:

M.R. NO.:

ITEM NO. (EQUIPMENT NO.):

VENDRO JOB NO.:

REV.	DATE	PURPOSE OF ISSUE (P.O.I.)	PREP.	CHKD.	APPR.	AC.
00	24/Mar/25	ISSUED FOR APPROVAL	RT	RB	SC	-

OWNER:



PROJECT:

300 KT POLYETHYLENE PLANT  
ARYA SASOL POLYMER COMPANY (ASPC)

MC:



CONTRACTOR:



VENDOR:



DRAWING TITLE:

PANEL LAYOUT DRAWING  
LOCAL CONTROL PANEL 44LPS-80005C

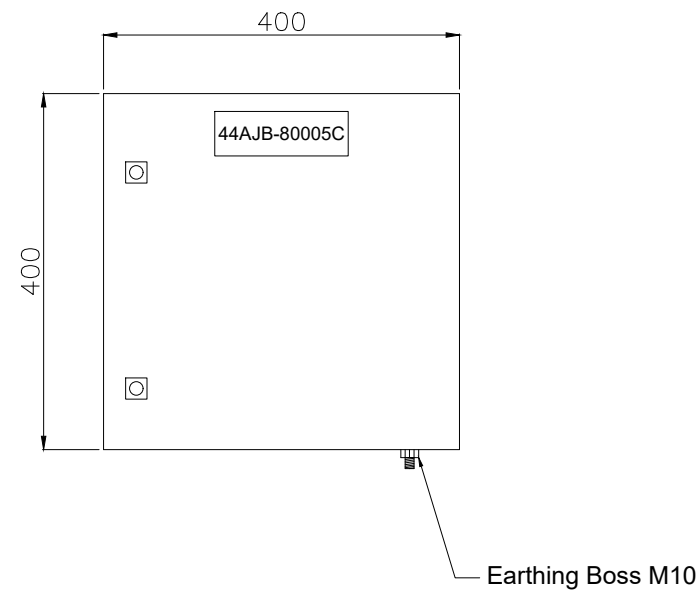
OWNER DOC. NO.

OWNER PROJECT NO.	VENDOR DWG.	MR NO.	VENDOR CODE	DISCIPLINE	UNIT	TYPE	SEQ.
3944	VD	0171	DYP	RE	400	DWG	0003

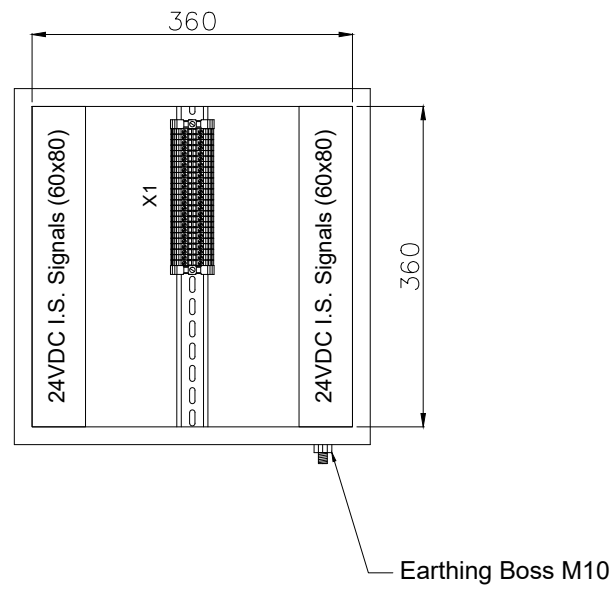
SCALE: NONE SIZE: A0 SHEET NO. 32 OF 33 REV. 00

# 44AJB-80005C

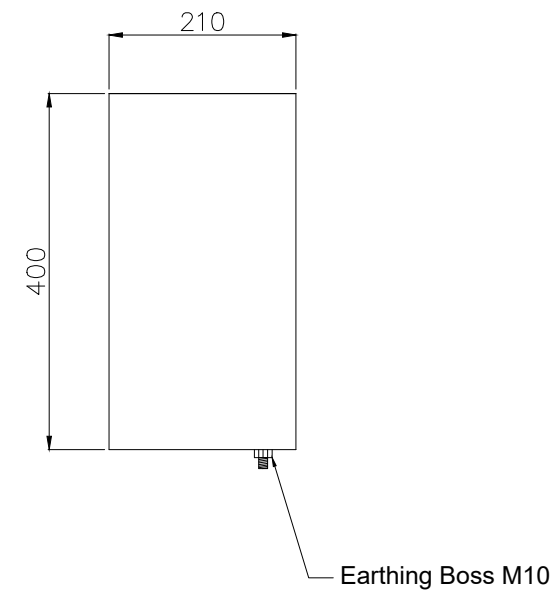
## Front Side (Outside) View



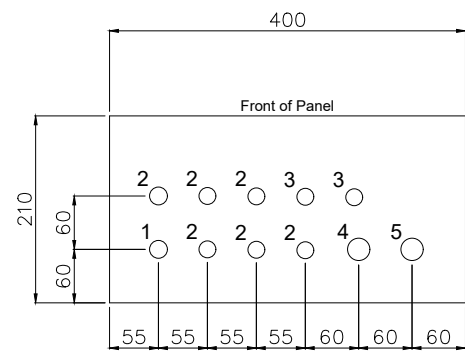
## Front Side (Inside) View



## Side (Outside) View



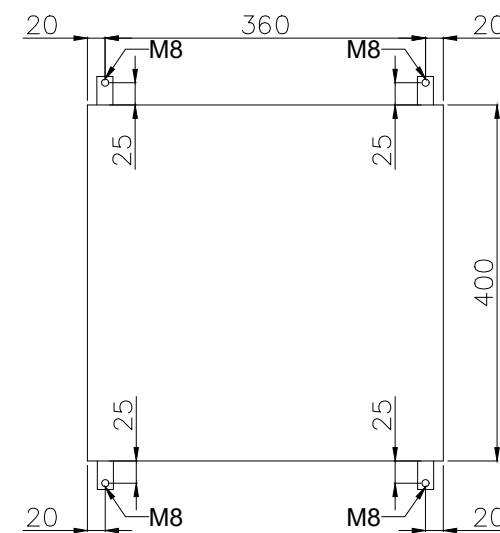
## Bottom View



## Gland Entry Details

1. M20 - 1x (Breather)
2. M20 - 6x (Cables from Transmitters)
3. M20 - 2x (Spare)
4. M25 - 1x (Multipair Cable from Customer)
5. M25 - 1x (Spare)

## Back (Outside) View Mounting Details



### GENERAL NOTES

- NOTES
1. PANEL DIMENSIONS: 400x400x210mm
  2. PANEL MATERIAL: SS316L STAINLESS STEEL
  3. AREA CLASSIFICATION: Ex II 3G IIC T3 Eex'e
  4. AMBIENT TEMPERATURE: 5°C/+48°C
  5. INGRESS PROTECTION: IP65
  6. CABLE RACEWAYS SHALL HAVE NO LESS THAN 20% SPARE CAPACITY.
  7. DIN RAIL TYPE: NS35
  8. BLUE SLOTTED CABLE TRUNKING WILL BE PROVIDED FOR INTRINSICALLY SAFE SIGNALS.

REFERENCE DRAWINGS	DWG.No.
xxxx	xxxx

### LEGEND

RESULT CODE:  AP  AN  CO  RE RESUBMISSION DATE:

NEXT STATUS:  IFI  IFA  IAF  ASB/IFIN

Approval or review hereunder shall not be construed to relieve Vendor/ Subcontractor of his responsibilities and liability under the Contract.

P.O. NO.:

M.R. NO.:

ITEM NO. (EQUIPMENT NO.):

VENDRO JOB NO.:

REV.	DATE	PURPOSE OF ISSUE (P.O.I)	PREP.	CHKD.	APPR.	AC.
00	24/Mar/25	ISSUED FOR APPROVAL				

OWNER:



PROJECT:

300 KT POLYETHYLENE PLANT  
ARYA SASOL POLYMER COMPANY (ASPC)

MC:



CONTRACTOR:



VENDOR:



DRAWING TITLE:

PANEL LAYOUT DRAWING  
LOCAL CONTROL PANEL 44AJB-80005C

OWNER DOC. NO.

OWNER PROJECT NO.	VENDOR DWG.	MR NO.	VENDOR CODE	DISCIPLINE	UNIT	TYPE	SEQ.
3944	VD	0171	DYP	RE	400	DWG	0003

SCALE: NONE SIZE: A0 SHEET NO. 33 OF 33 REV. 00

THIS DOCUMENT WITH ALL ITS RIGHTS IS THE PROPERTY OF A.S.P.C. AND MUST BE HELD IN CONFIDENCE. NO DISCLOSURE, REPRODUCTION OR OTHER USE OF THE DOCUMENT IN WHOLE OR A PORTIONS TO BE MADE WITHOUT THE PRIOR CONSENT OF A.S.P.C.