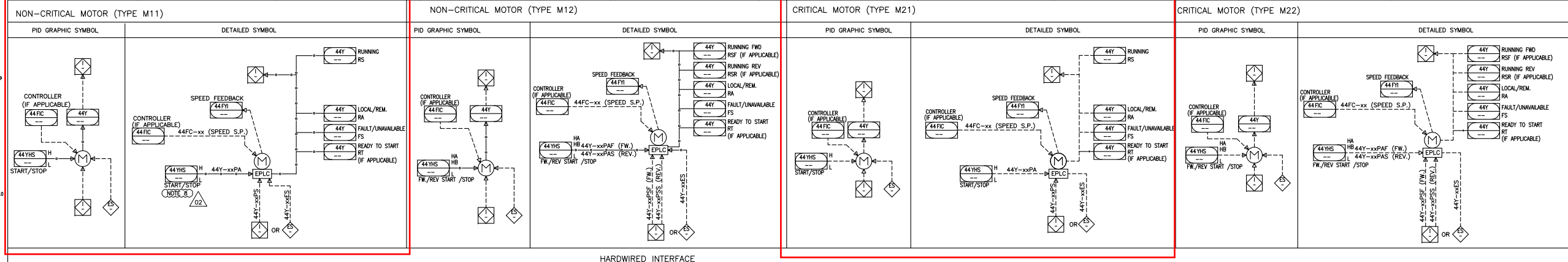
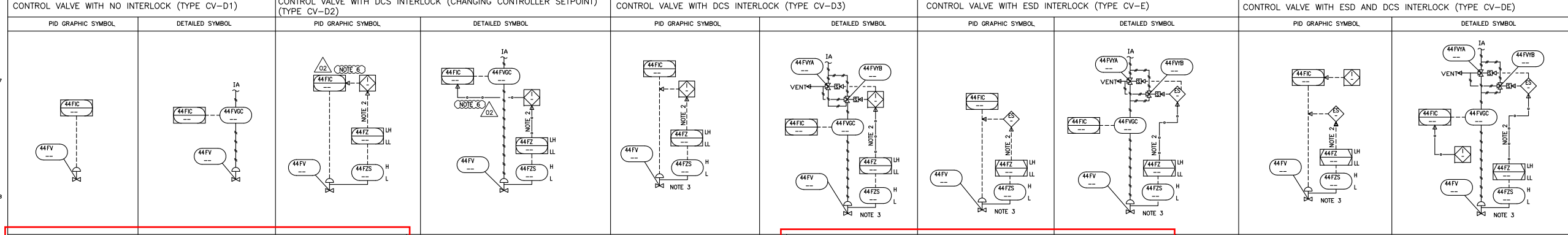


GENERAL NOTES

NOTES

- ALL VALVES SHALL BE PROVIDED WITH DISCREPANCY ALARM.
- IN CASE THAT THE LIMIT SWITCHES ARE ASSOCIATED WITH INTERLOCKS, THE VALVE POSITION INDICATION IN THE DCS WILL BE CONSIDERED AS "ZLSH" FOR OPEN AND "ZLSL" FOR CLOSE INDICATION.
- OPEN/ CLOSE LIMIT SWITCHES ARE DEPENDING ON CONTROL VALVE FAILURE POSITION.
- ESD ACTIVATED INTERLOCK LAMP WILL BE SERIALY COMMUNICATED TO DCS AND BE TURNED ON/OFF ON THE CONSOLE.
- UPON ACTIVATION OF EACH MOES RELATED MOES (MAINTENANCE OVERRIDE ENABLE SWITCH), INDIVIDUAL SIF RELATED INSTRUMENTS CAN BE OVERRIDDEN FROM THE DCS USING THE RELATED INSTRUMENT'S MAINTENANCE OVERRIDE SWITCH (MOS) BY SERIAL LINK BETWEEN DCS AND ESD.
- IT CAN BE DEFINED PER THE INTERLOCK DESCRIPTION.
- EXCEPT FOR THOSE XV-2008001~9 (CO-KILLING), ALL OTHER ESD VALVES SHALL BE PROVIDED WITH HARDWIRED SIGNAL FROM DCS TO ESD FOR OPEN AND CLOSING OF THE VALVE BY OPERATOR.
- IF APPLICABLE BASED ON RELEVANT P&ID.

REFERENCE DRAWINGS DWG.No.



HARDWIRED INTERFACE

ESD LOGIC NO.	MOES ACTIVATION HS TAG NO.	ESD-DCS HARDWIRED LINK	MOES RELATED HS TAG NO.
OSS#1	44HSL-10000999	44HL-10000999	44US-10000999
OSS#2	44HSL-50000999	44HL-50000999	44US-50000999

NOTE 5: 44HS (L) (MOES) MAINTENANCE OVERRIDE ALARM

02 Aug.2022	APPROVED FOR CONSTRUCTION	B.P. A.E.A.	G.V.
01 Sep.2021	OWNER COMMENTS INCORPORATED (FA)	B.P. A.E.A.	G.V. AP
00 Apr.2021	ISSUED FOR APPROVAL	B.P. A.E.A.	G.V. CO
REV. DATE	PURPOSE OF ISSUE (P.O.I.)	PREP.	CHKD. APPR. AC.

OWNER: **ARYA SASOL POLYMER COMPANY**

PROJECT: **300 KT POLYETHYLENE PLANT ARYA SASOL POLYMER COMPANY (ASPC)**

MC: **namvaran**

CONTRACTOR: **SAZEH CONSULTANTS**

DRAWING TITLE: **PIPING & INSTRUMENTATION DIAGRAM 00005 LEGEND AND SYMBOLS 4 MOTOR AND VALVE SYMBOLS**

OWNER PROJECT NO. ORIGINATOR DISCIPLINE UNIT TYPE SEQ.:

3944 SZP PR 000 PID 0005

SCALE: NONE SIZE: A0 CLASS: A SHEET NO. 1 OF 1 REV. 02