



ASPC Project








END CUSTOMER	: Arya Sasol Polymer Company
CONTRACTOR	: DYPNF Co., Ltd.
VENDOR NAME	: Airpack Netherlands BV
EQUIPMENT DESCRIPTION	: Screw Compressor & Roots Blower : Package
PURCHASE ORDER NUMBER	: PO-PC2312-08

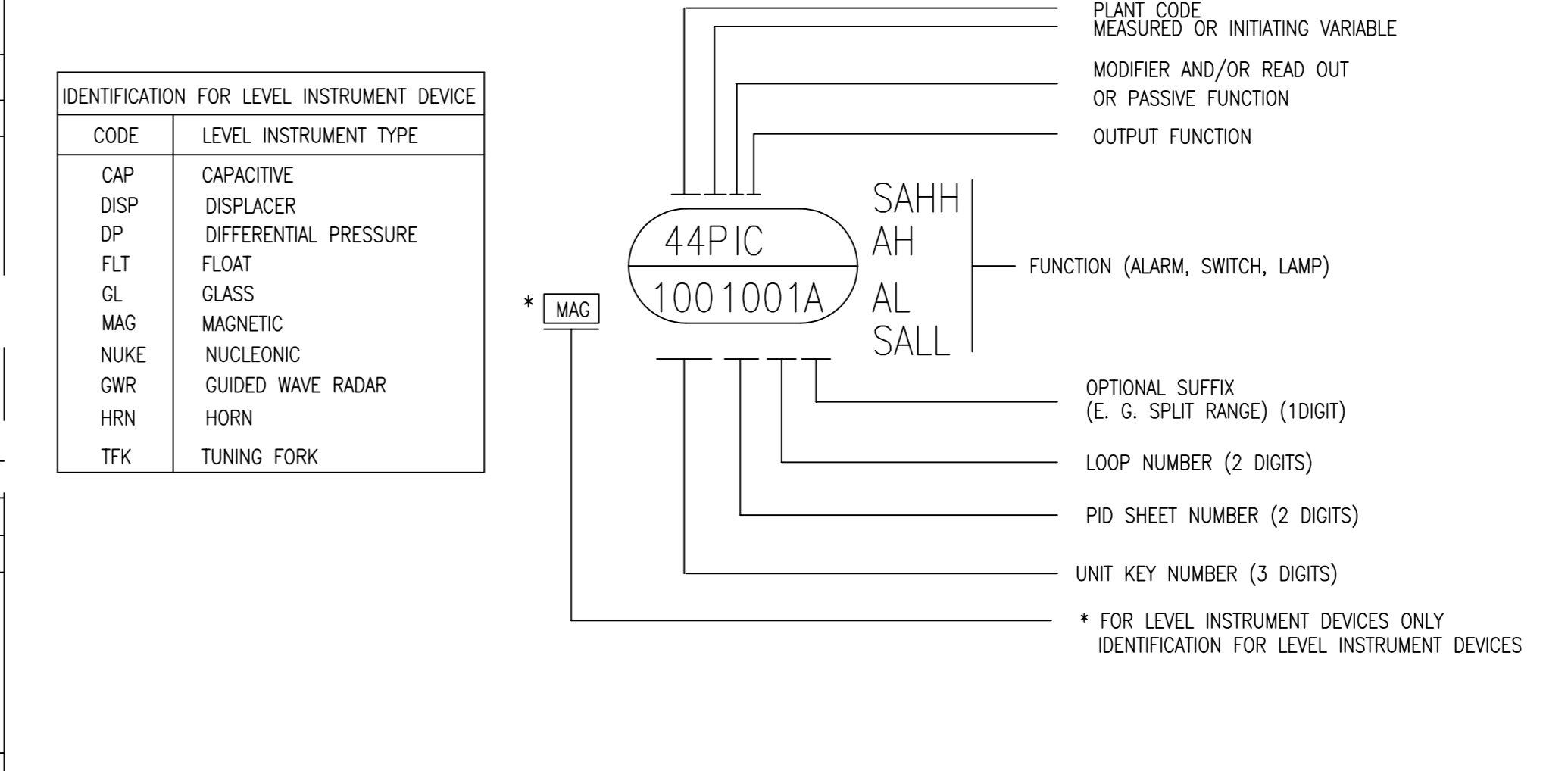
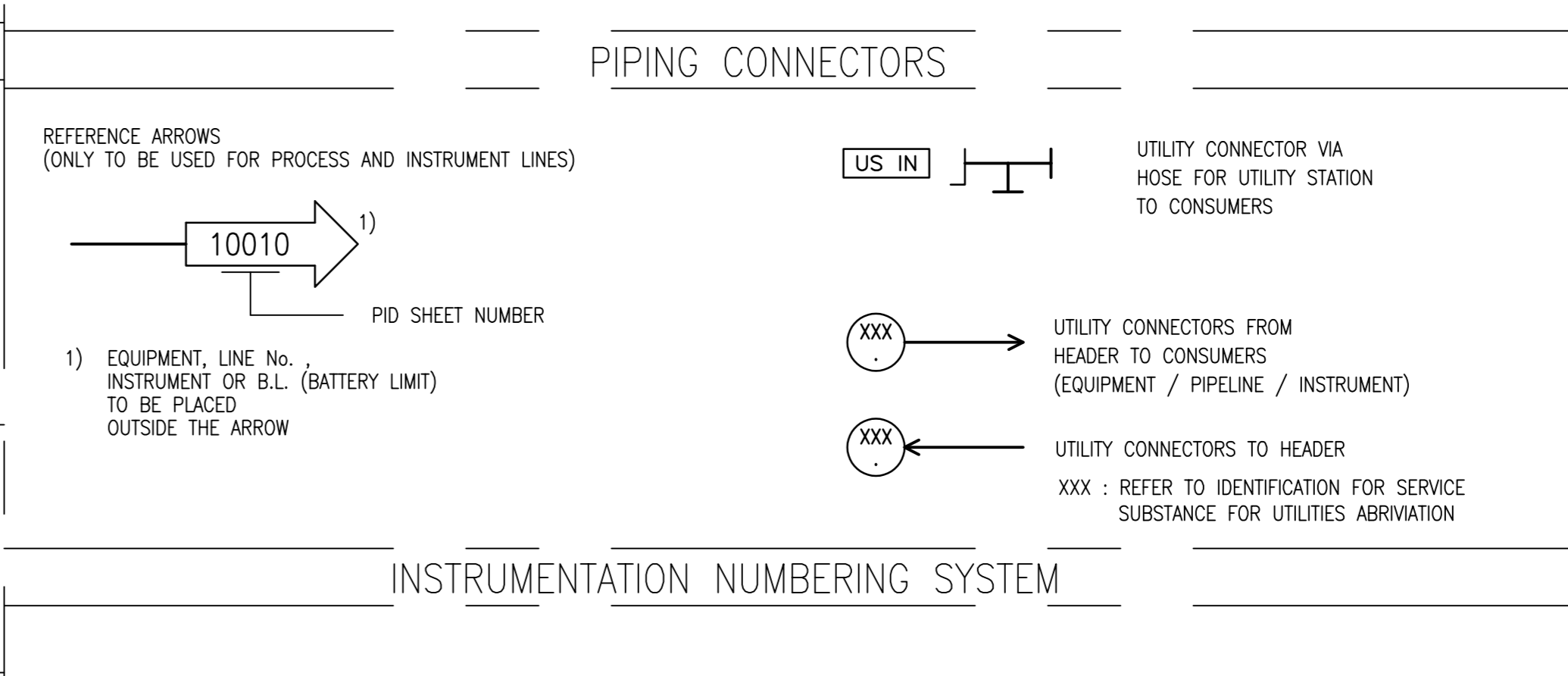
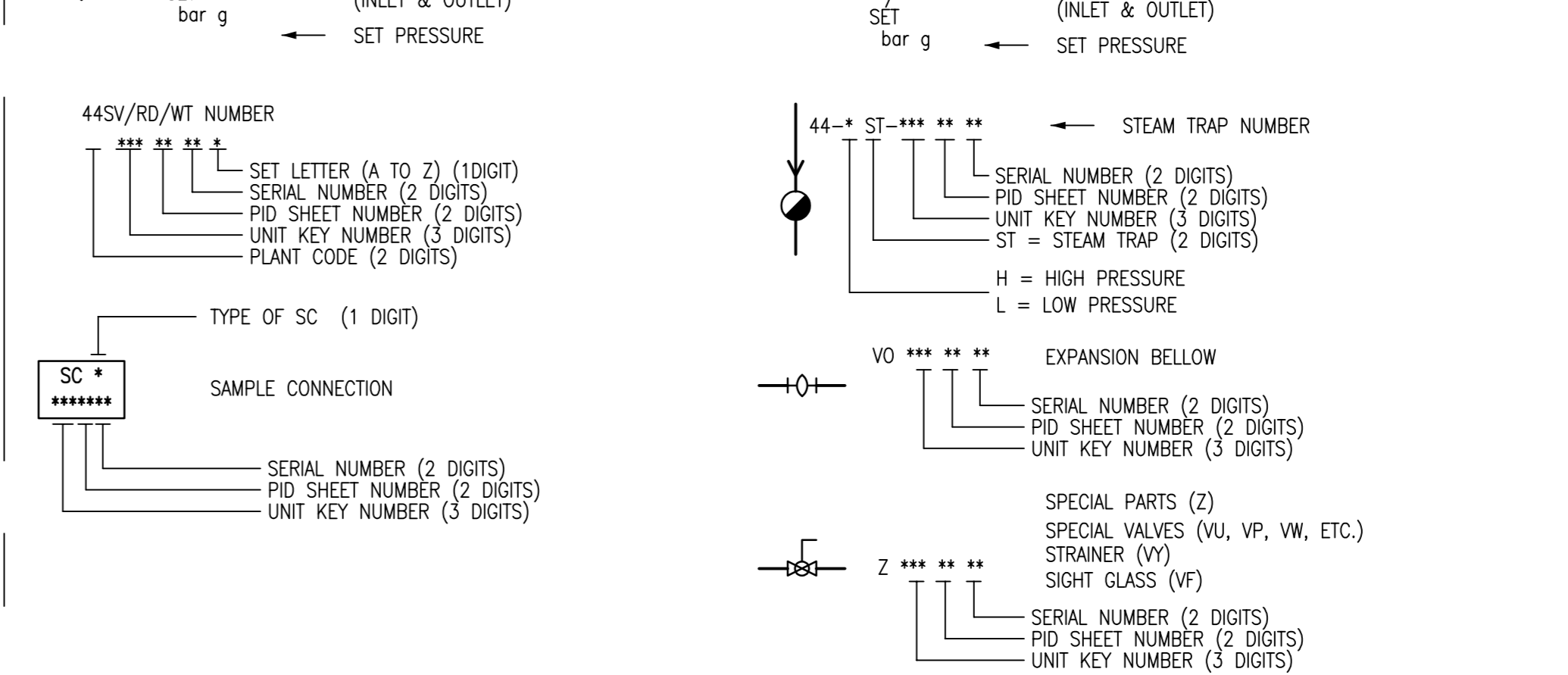
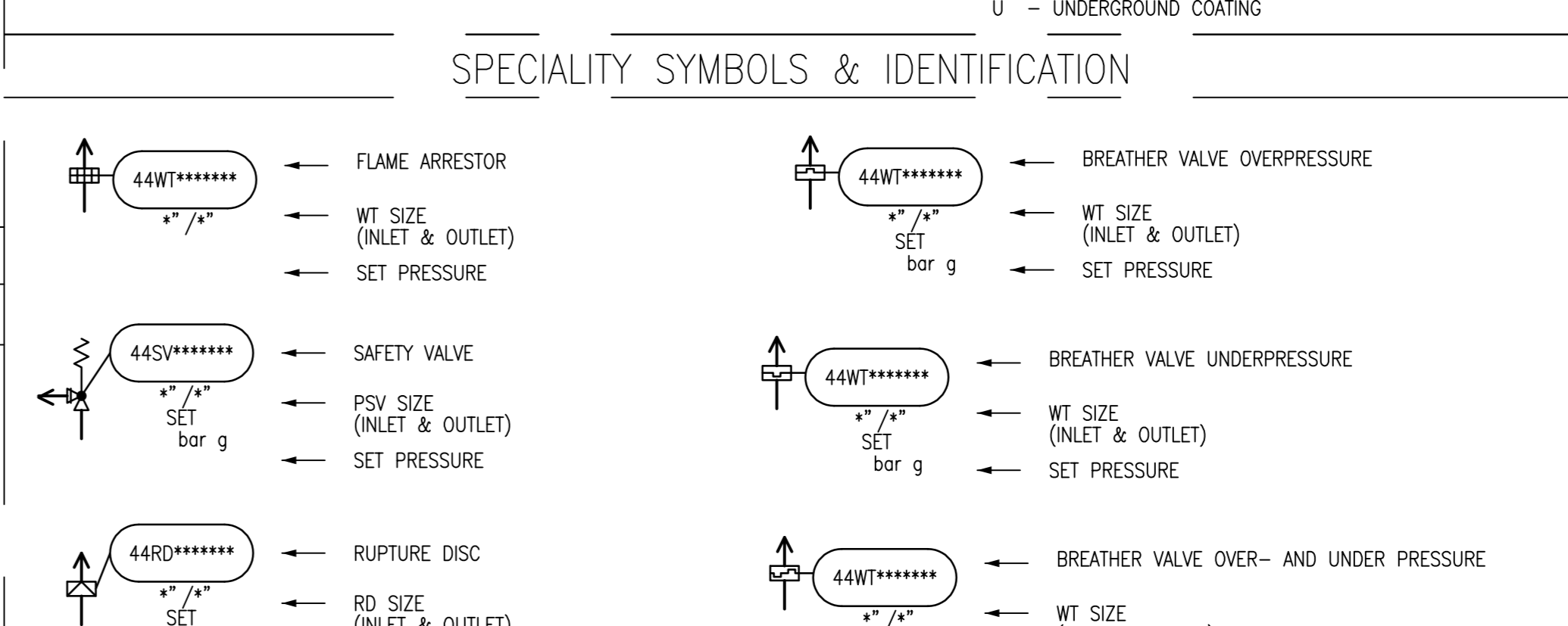
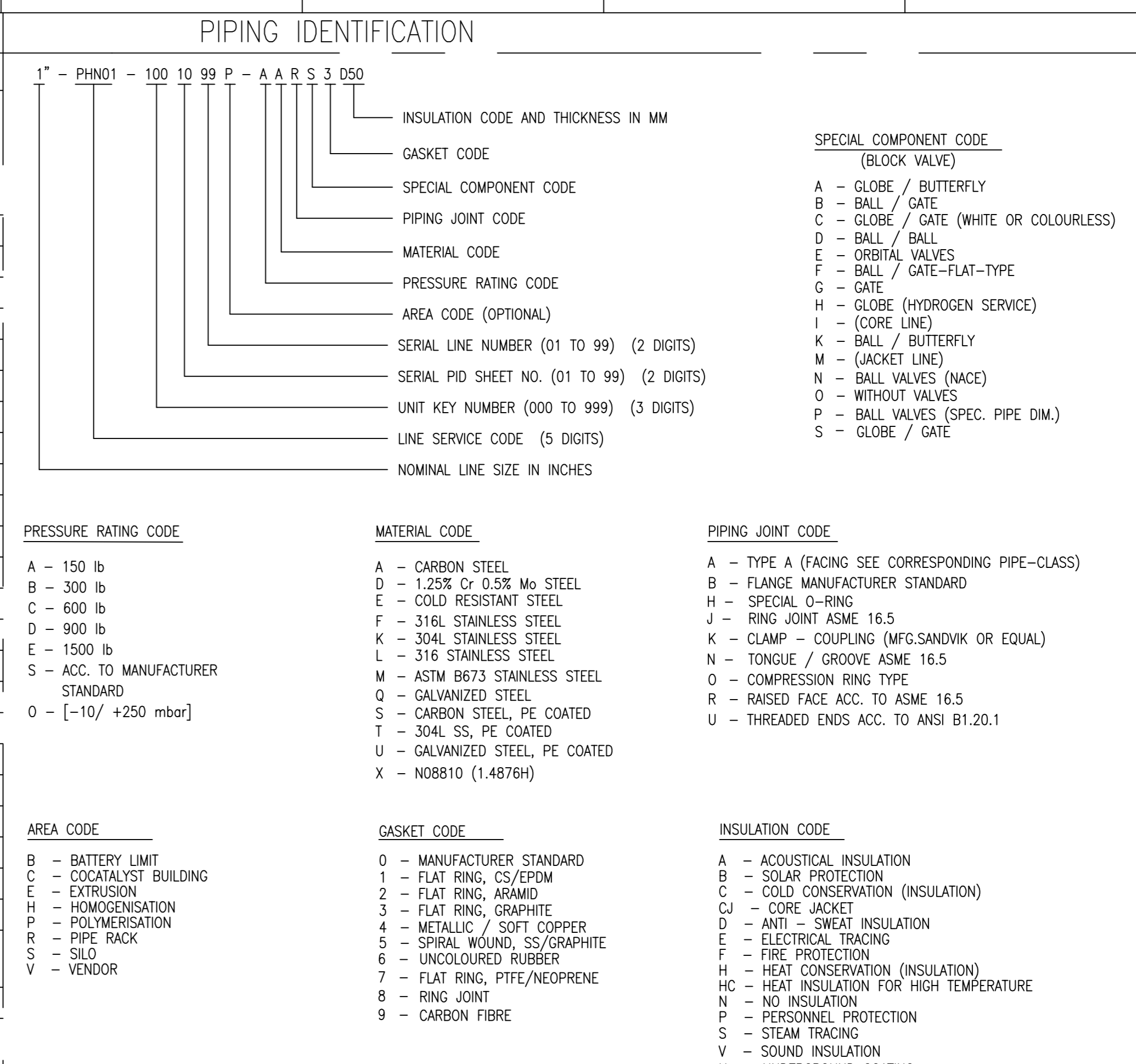
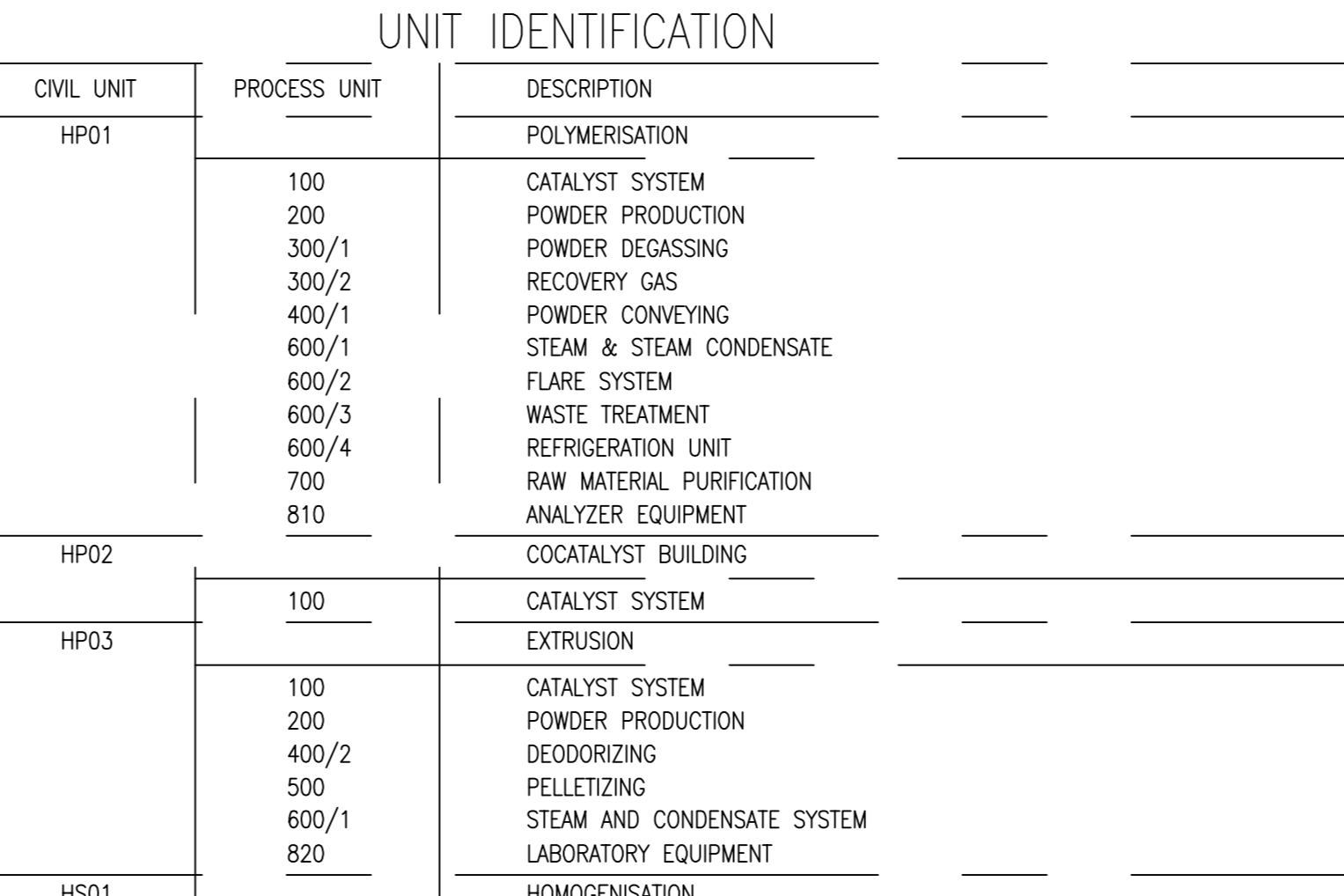
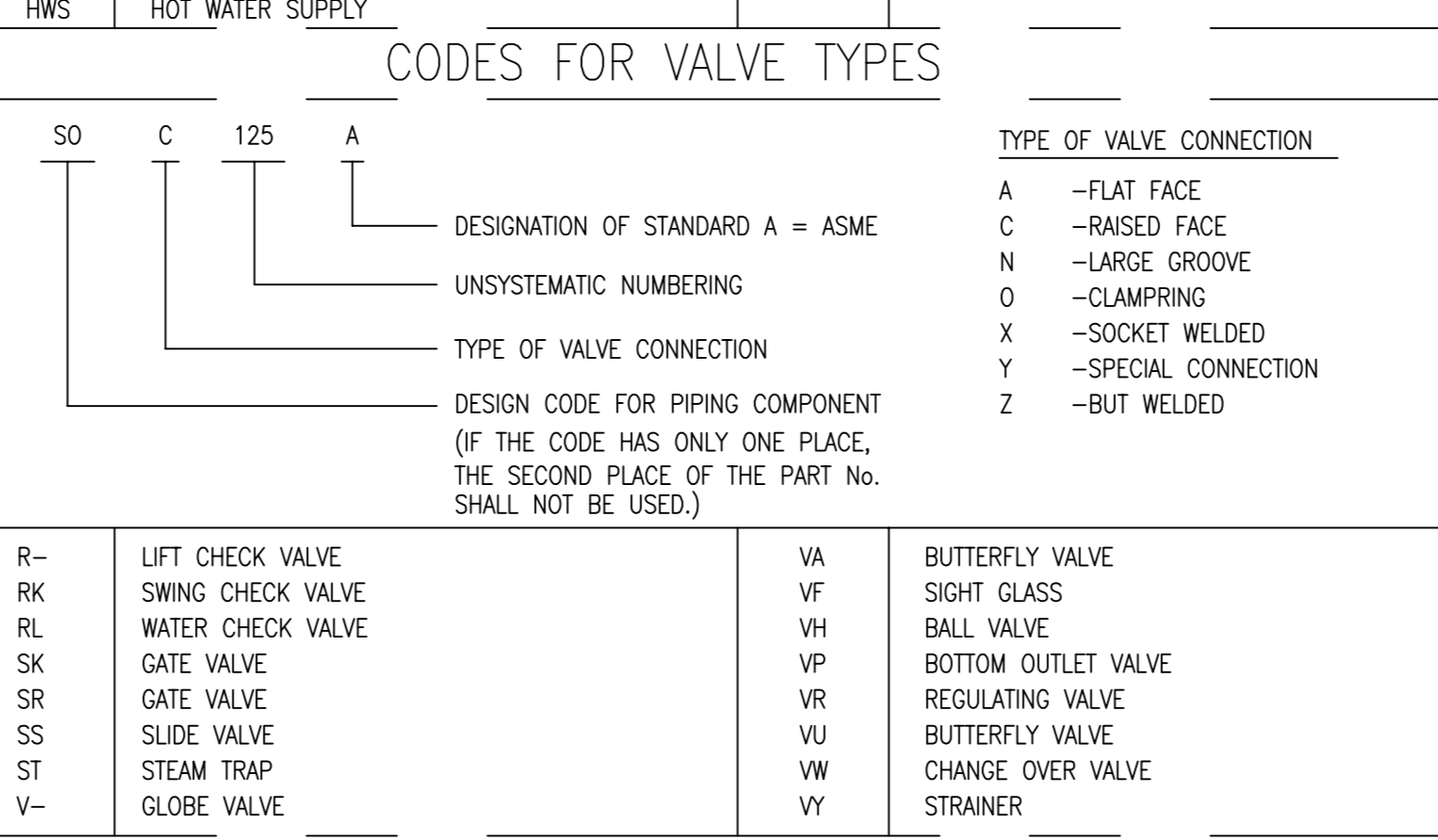
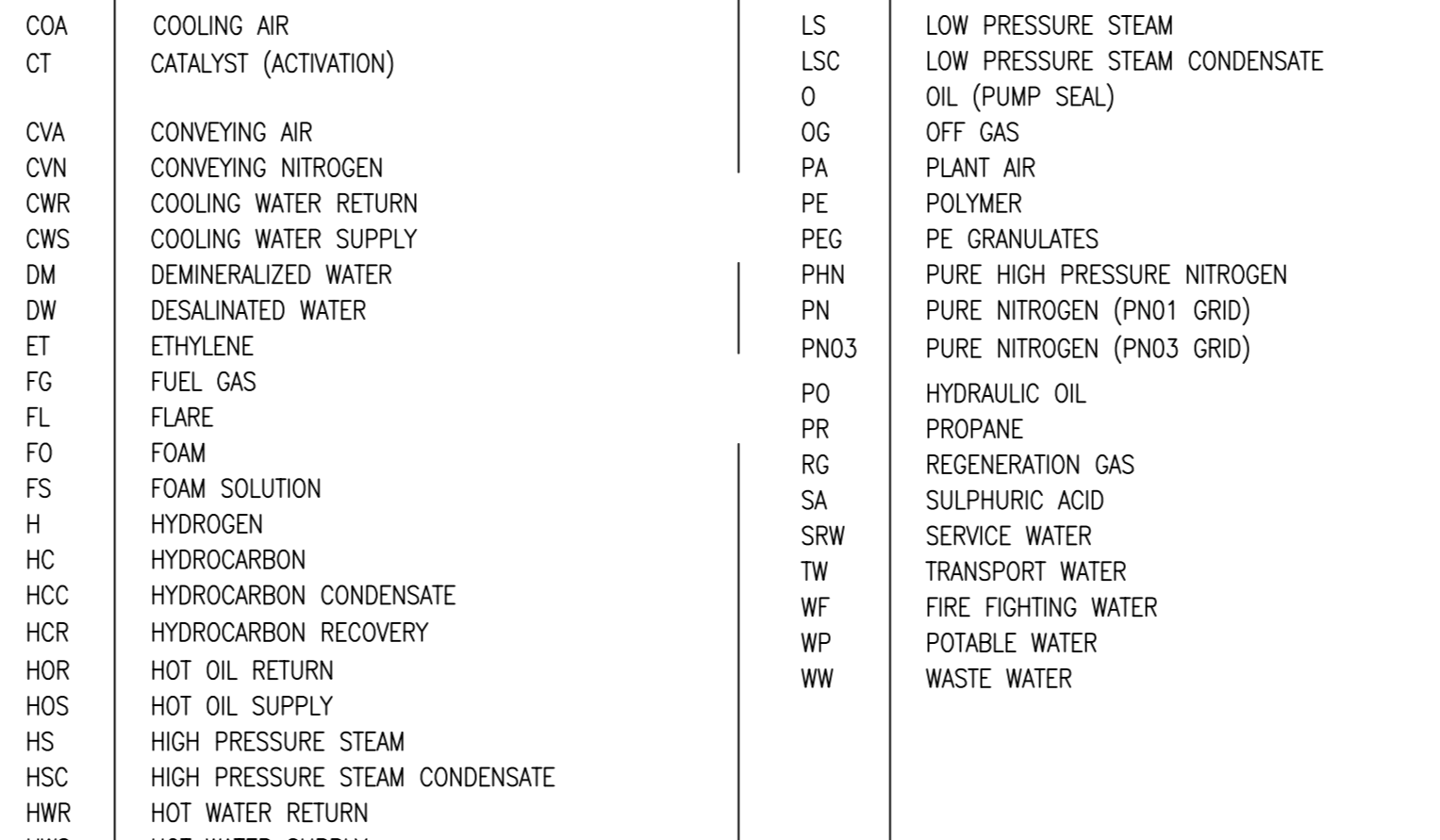
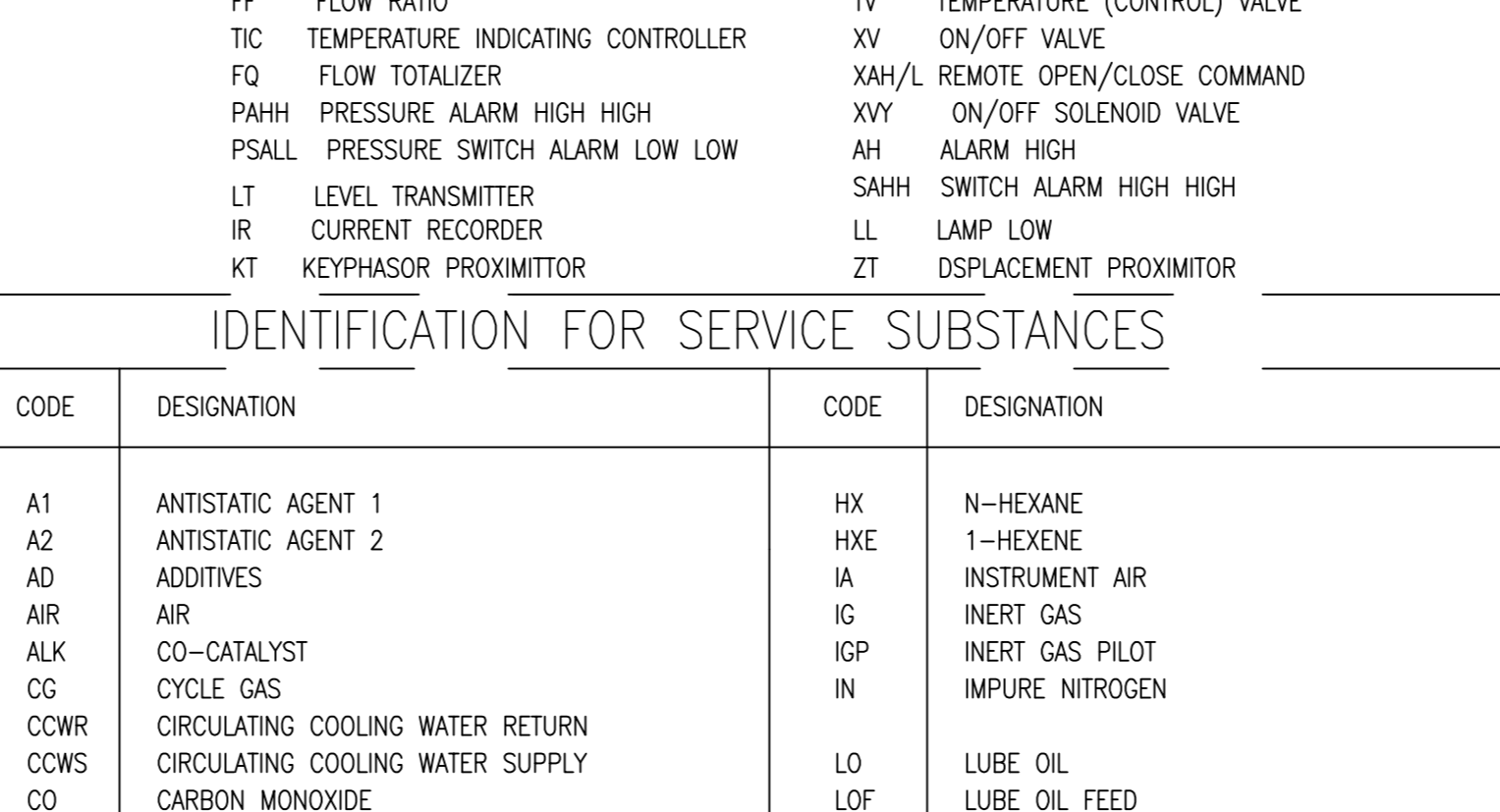
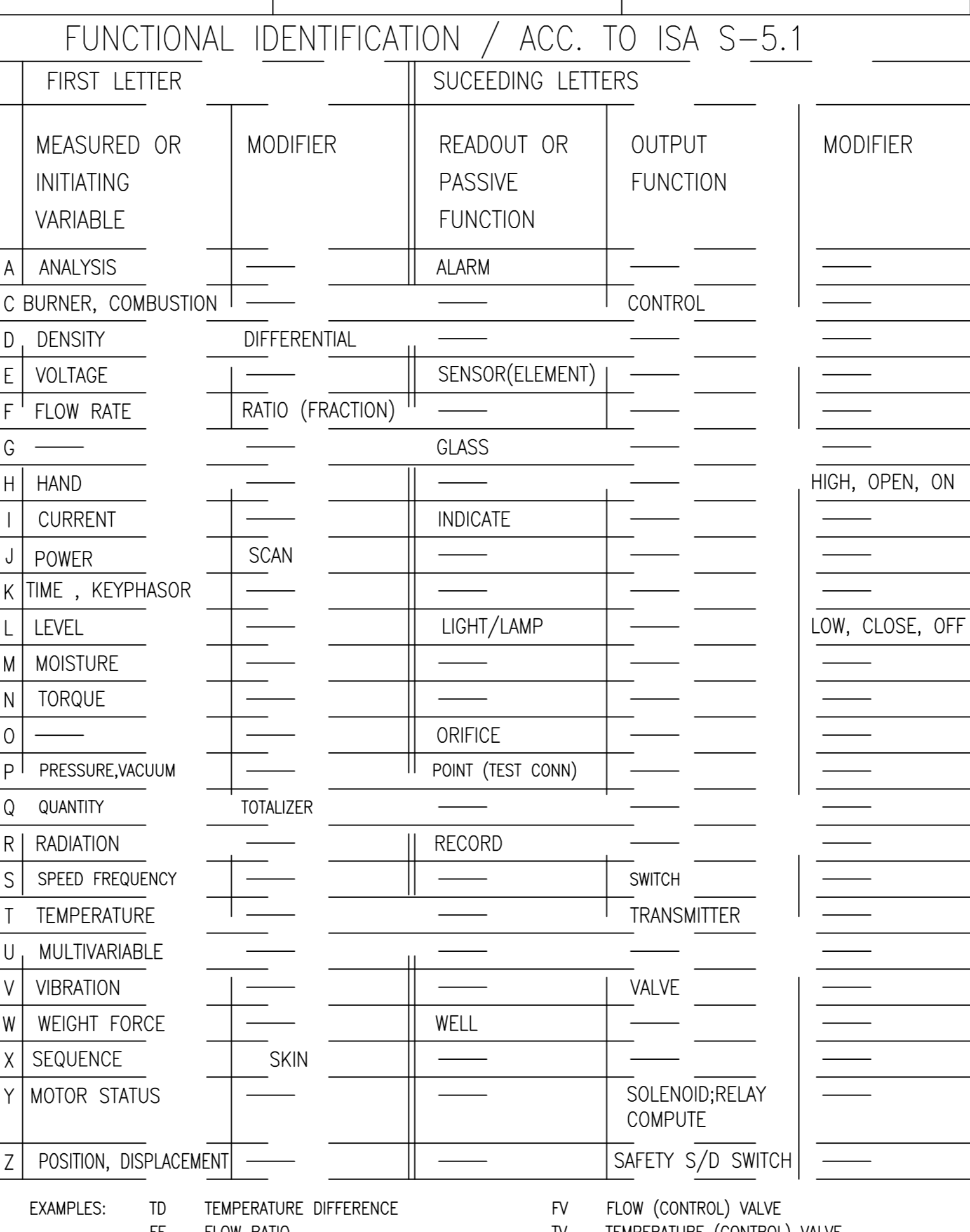
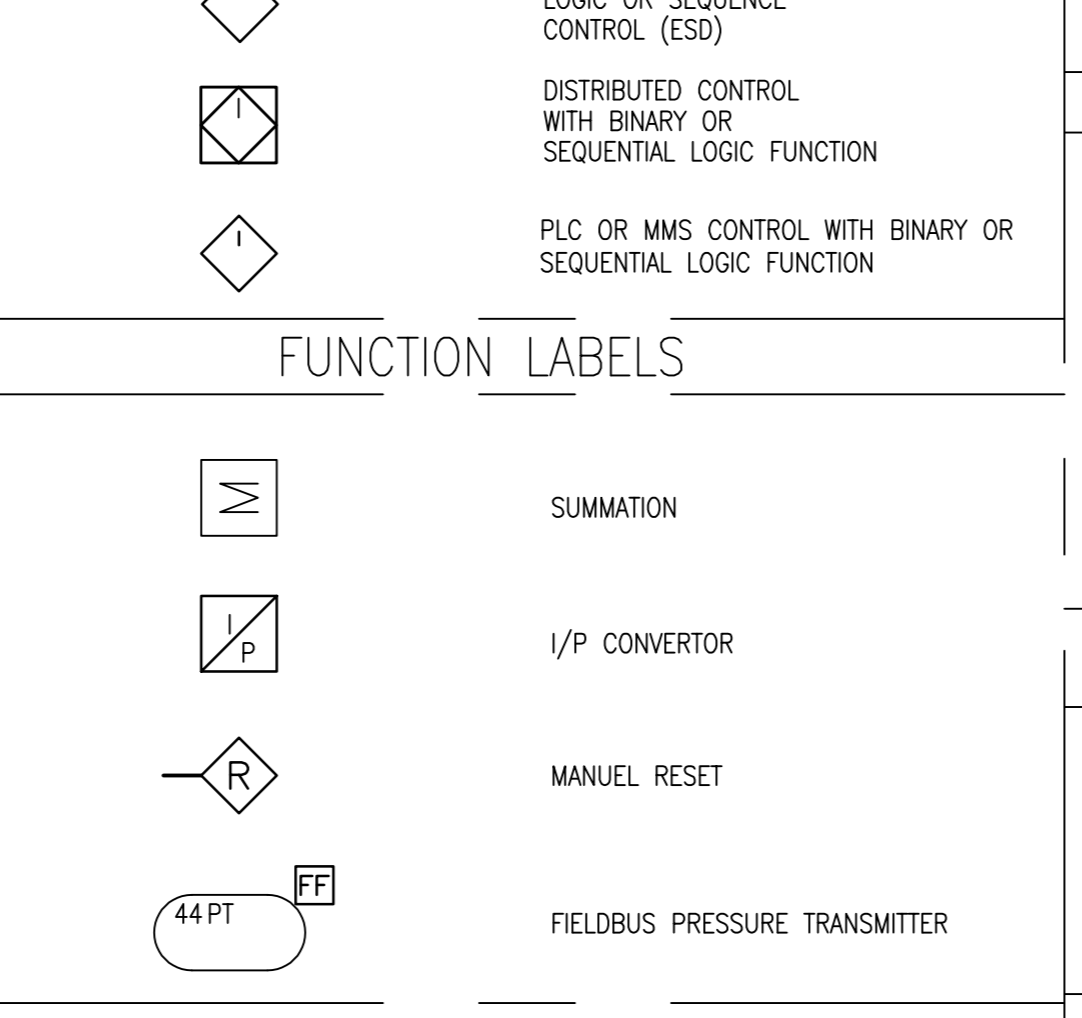
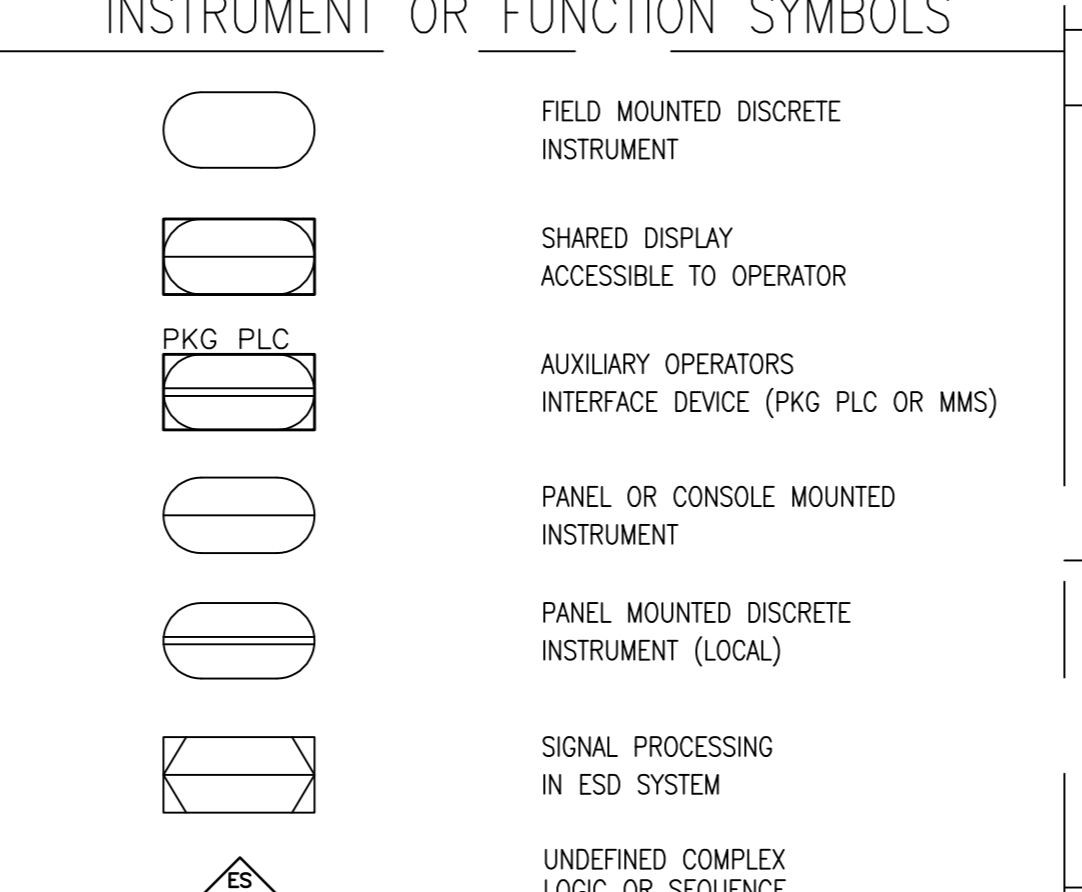
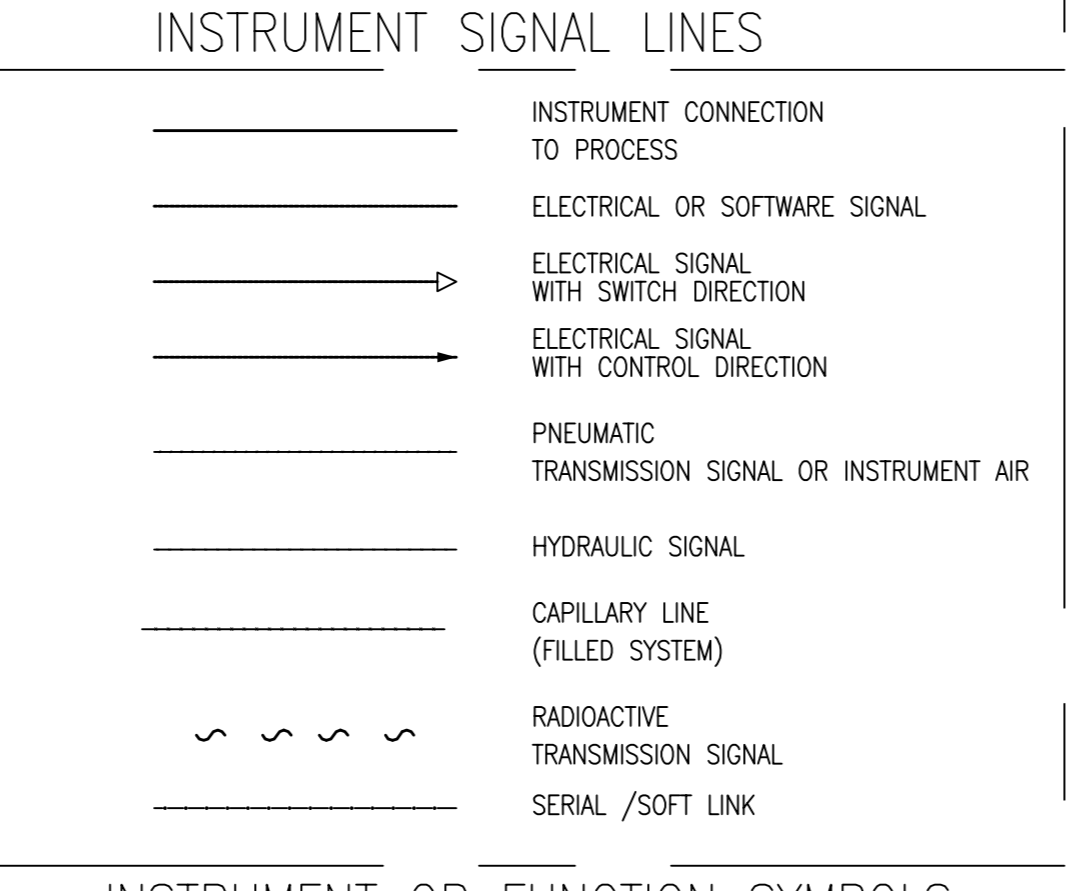
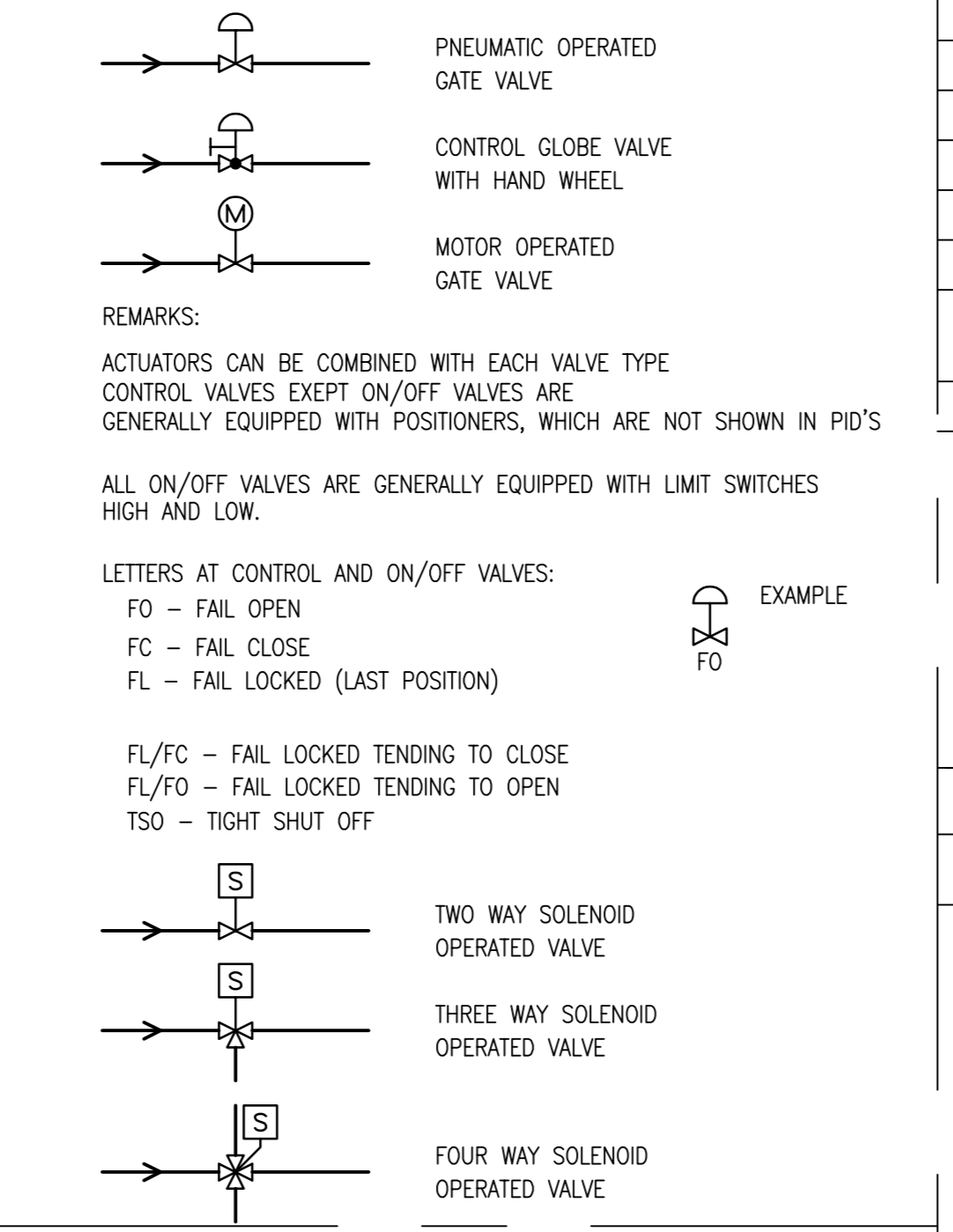
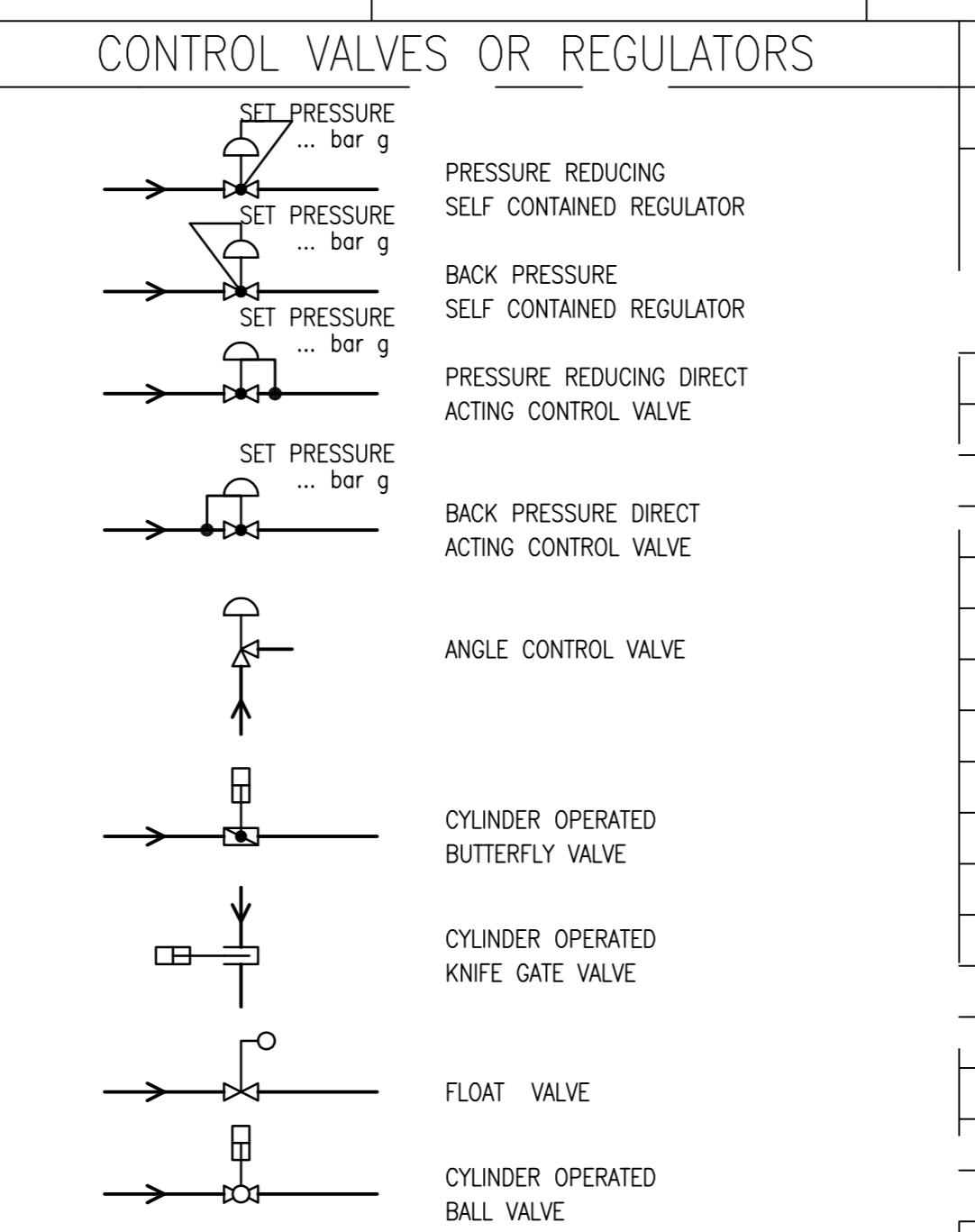
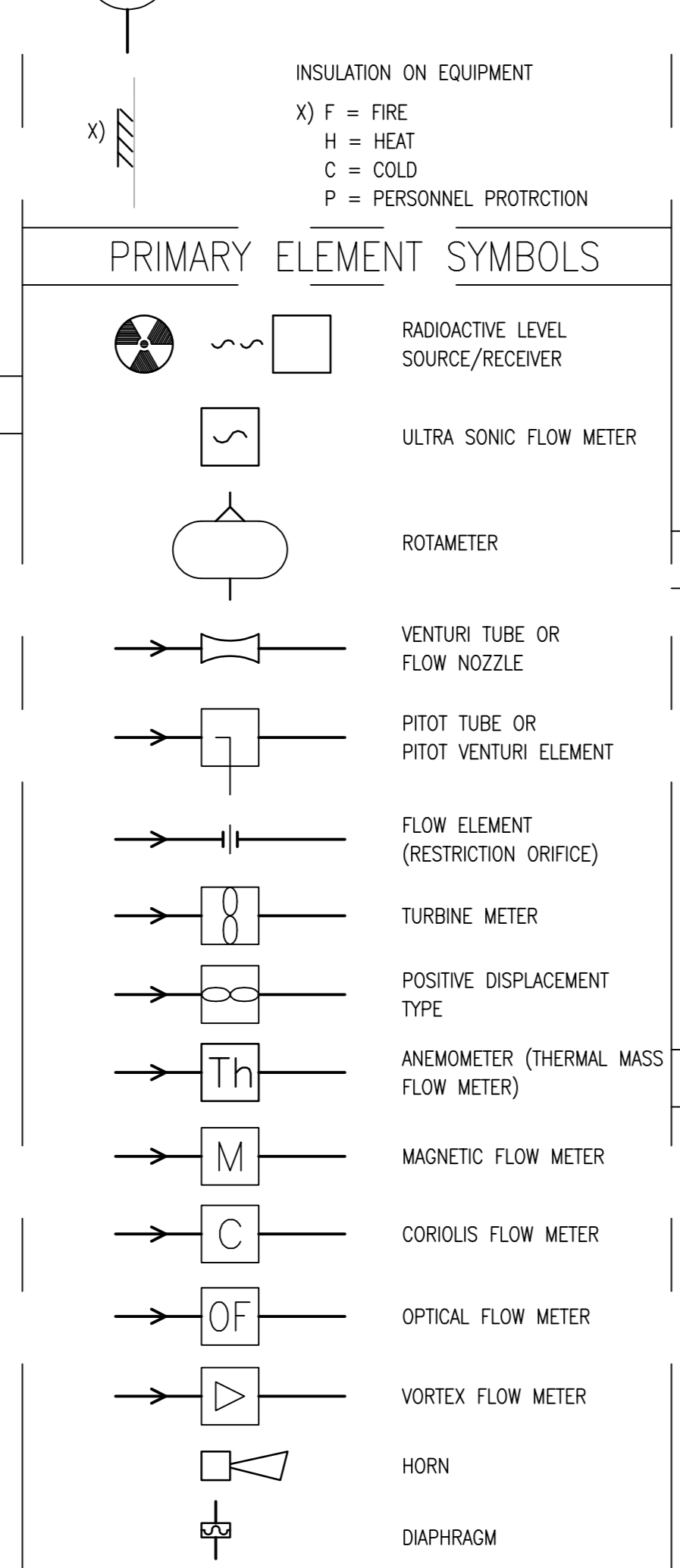
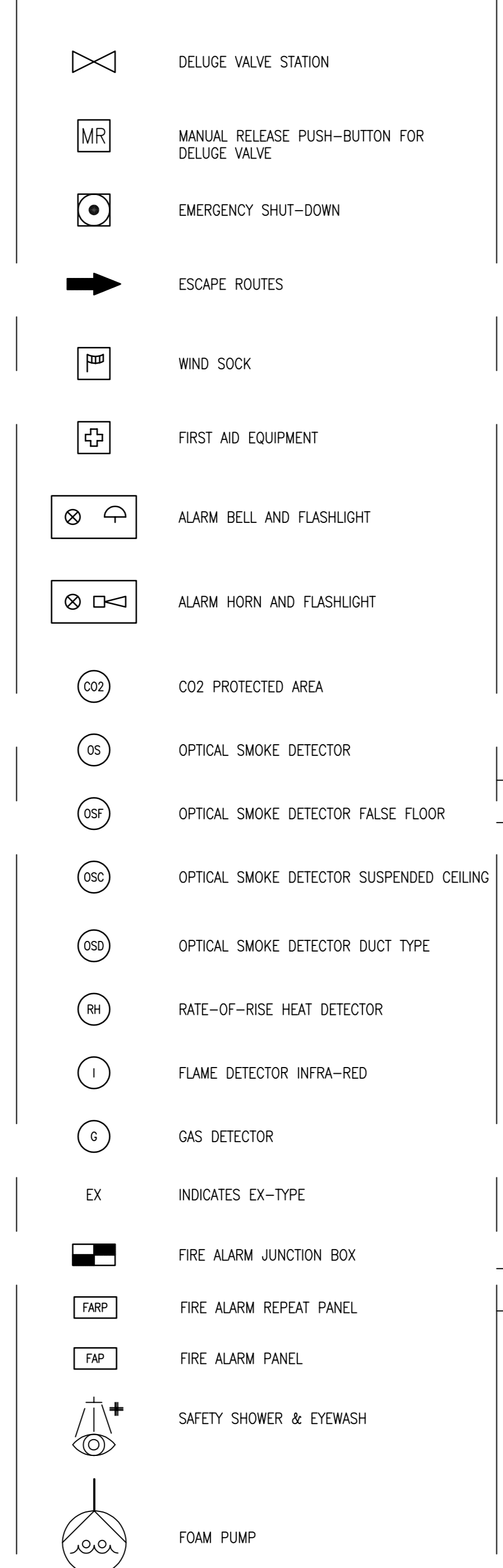
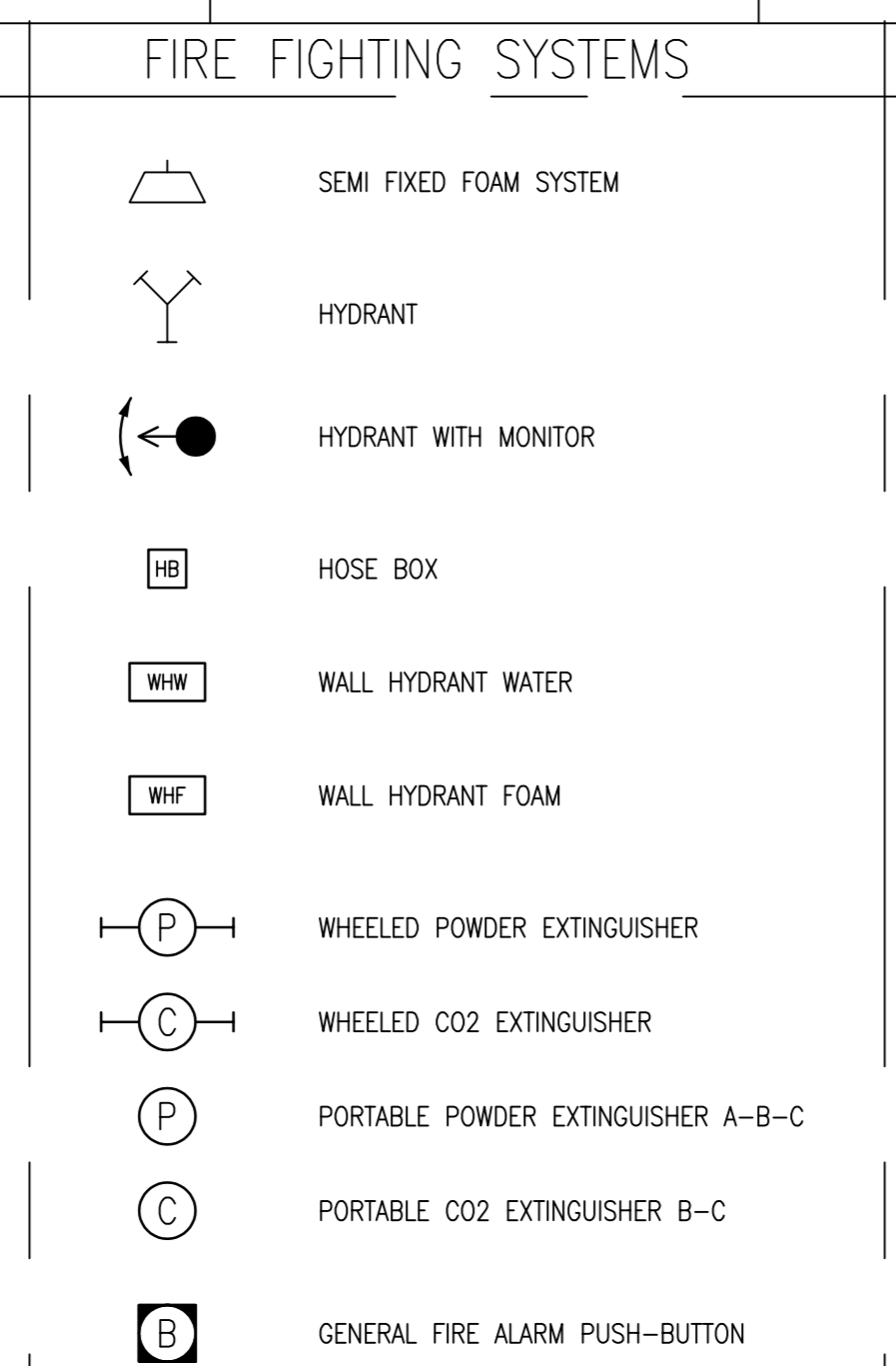
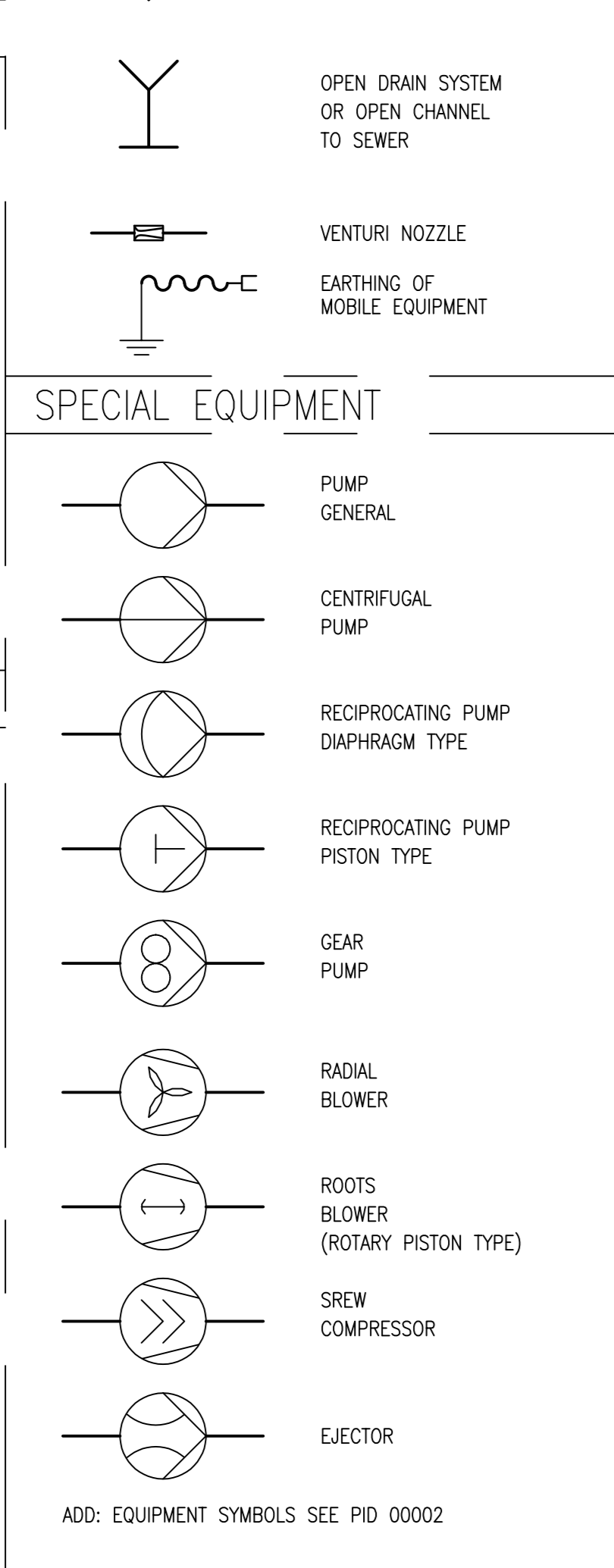
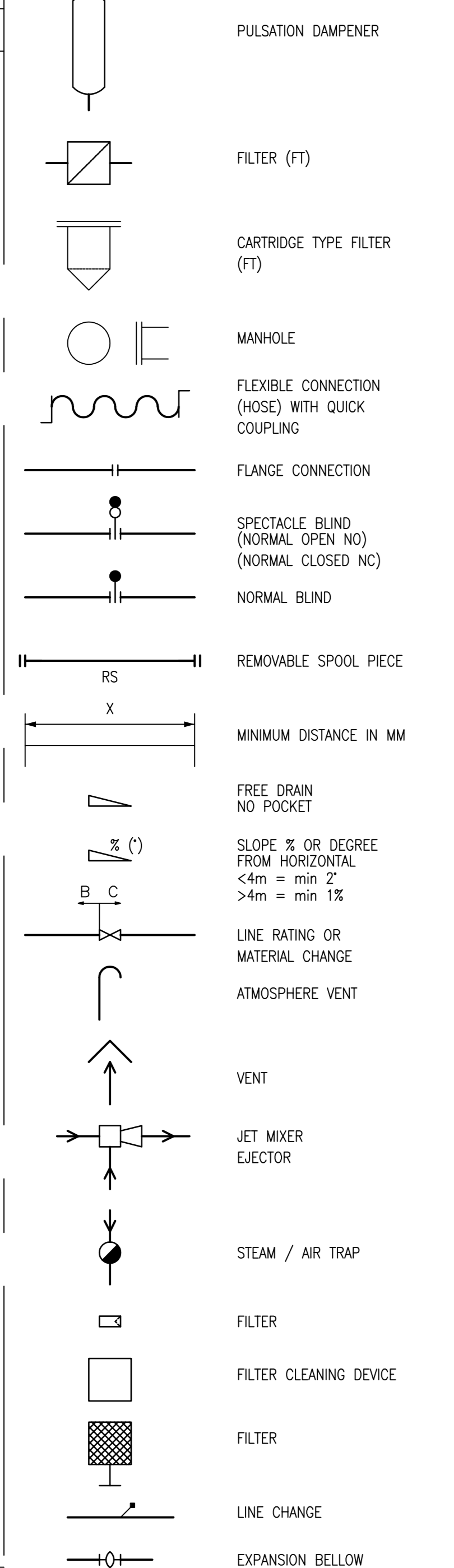
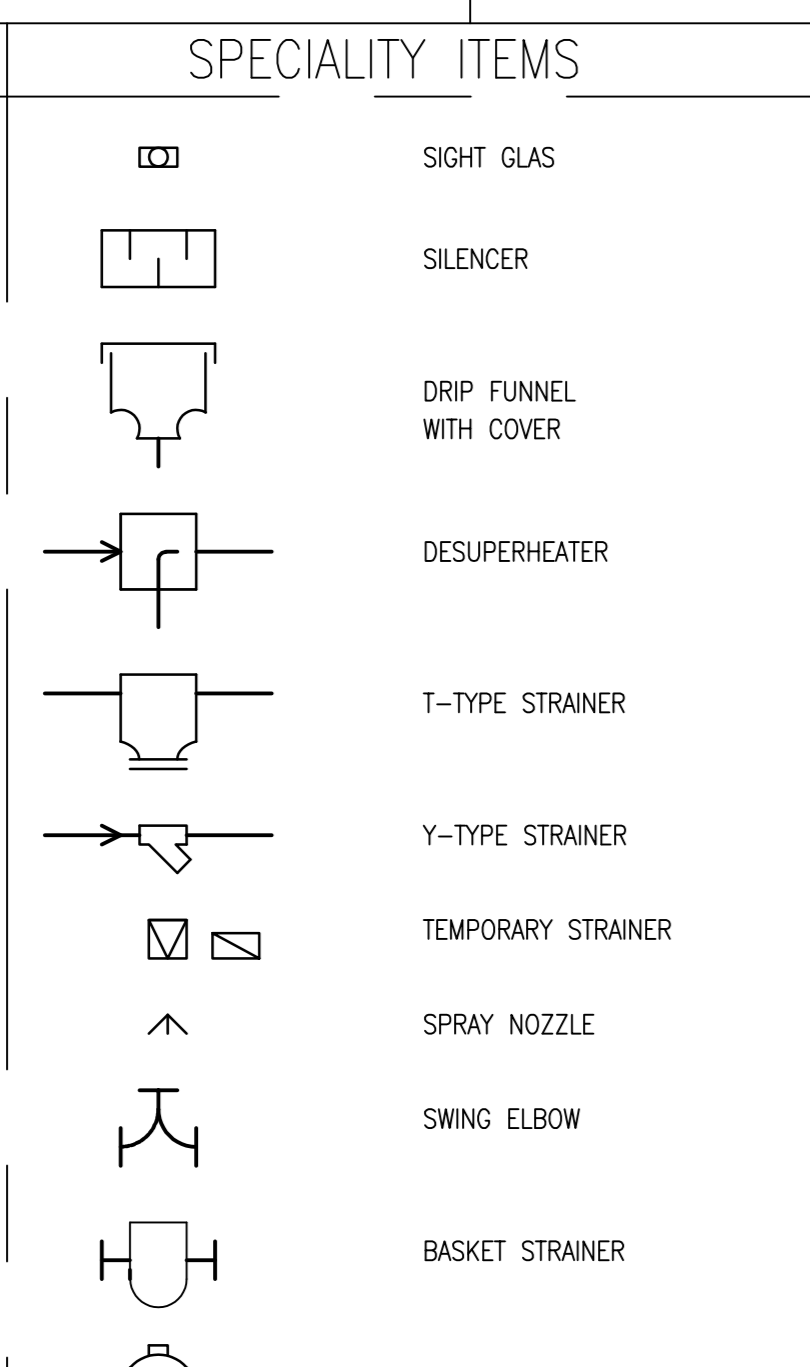
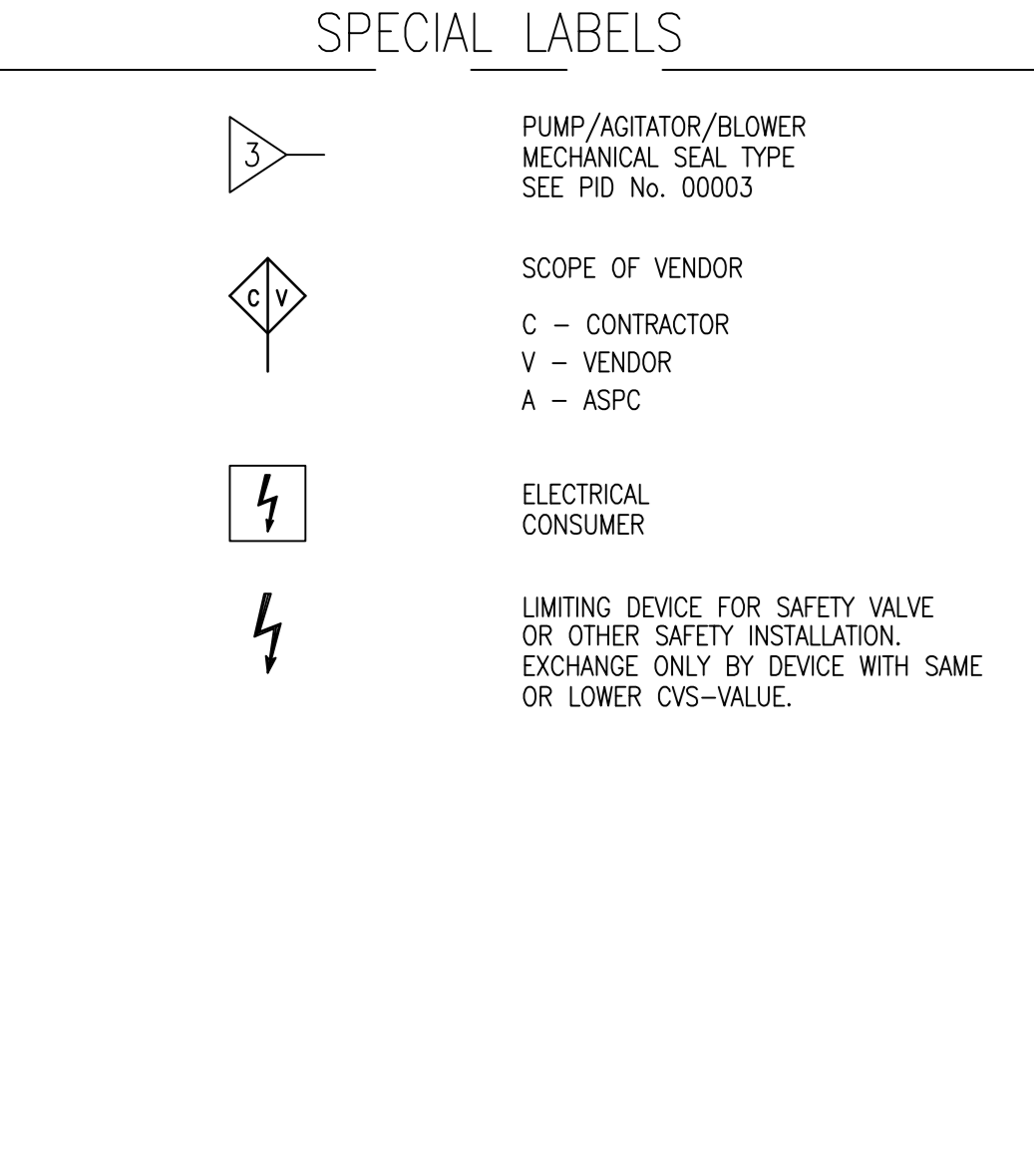
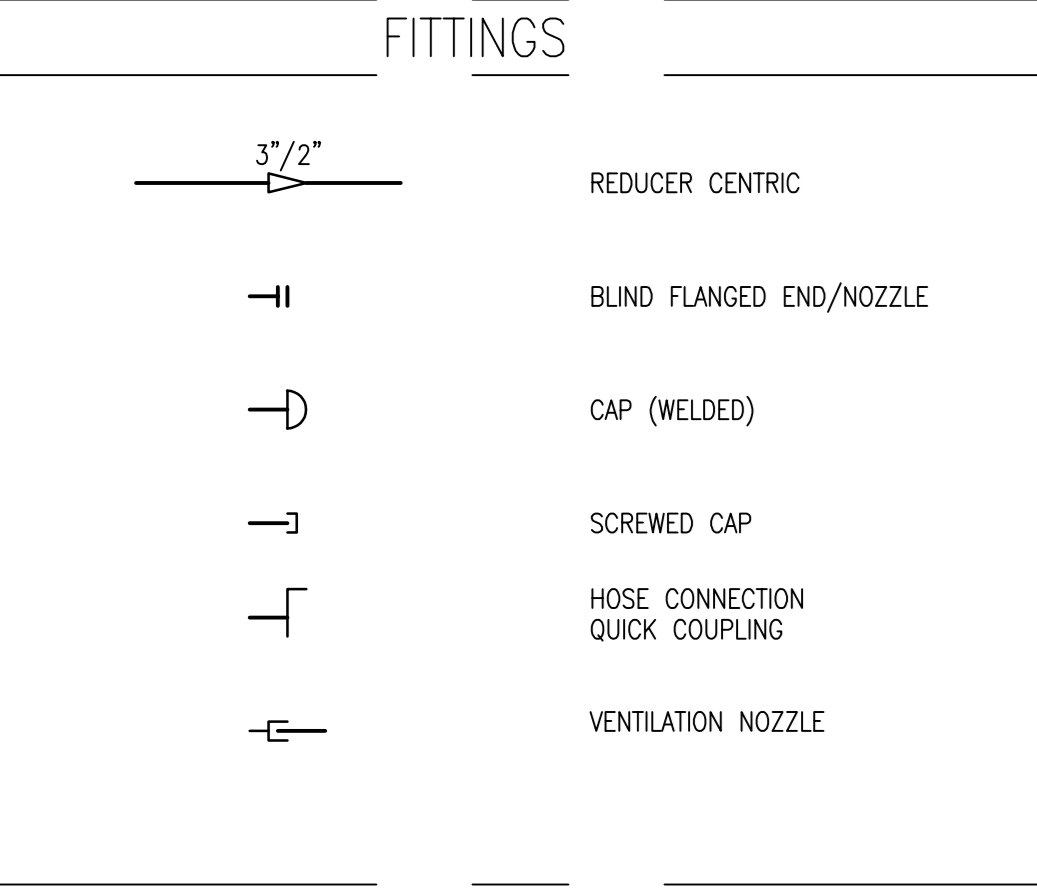
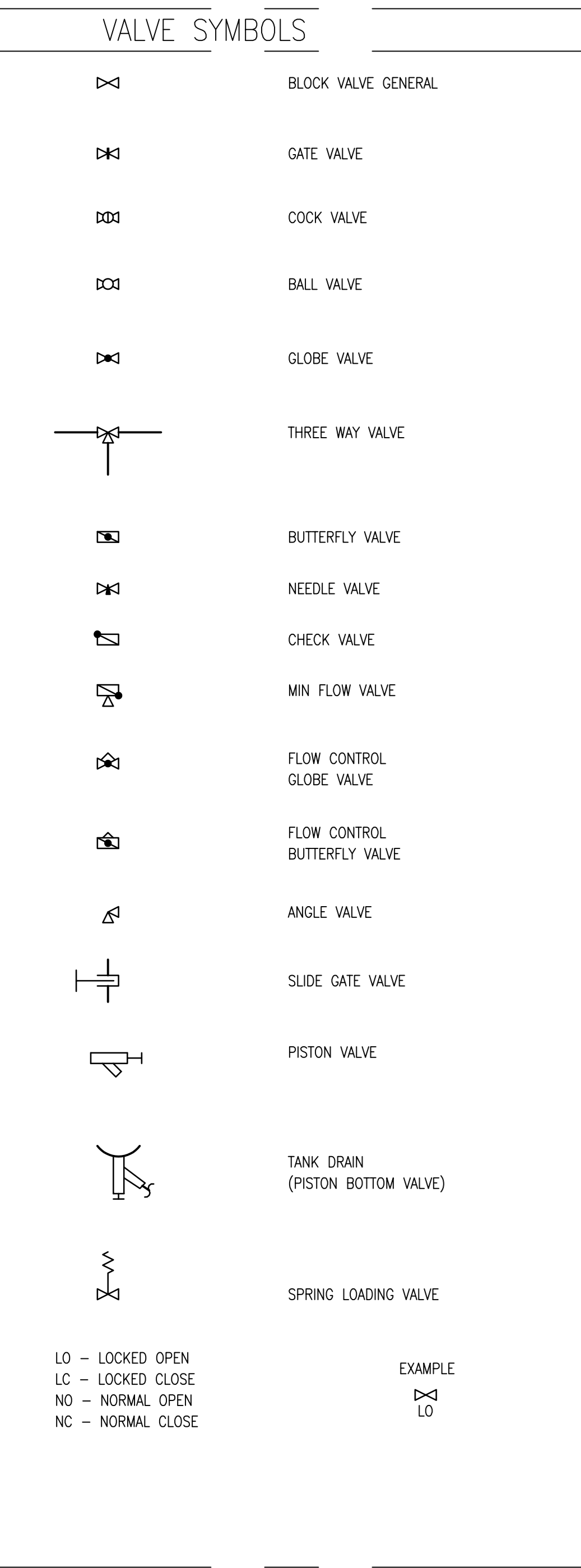
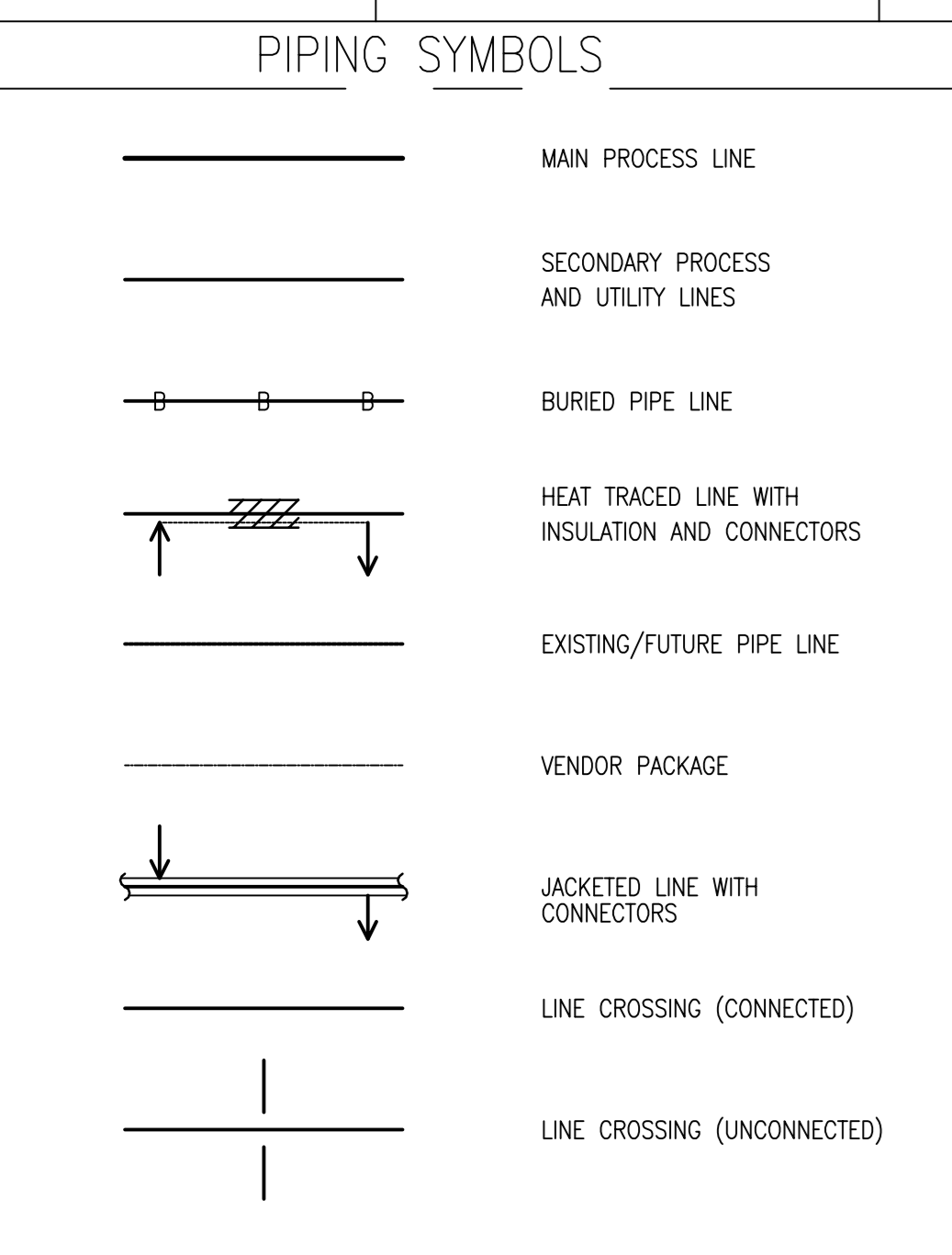
Customer Document : 3944-VD-0171-DYP-RE-400-PID-0016
Number

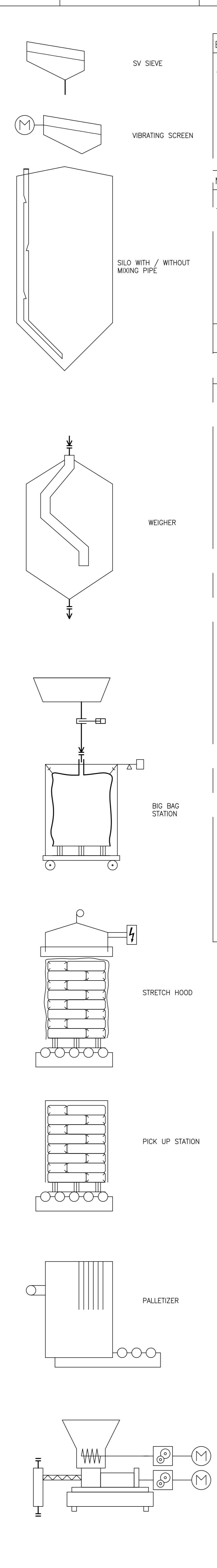
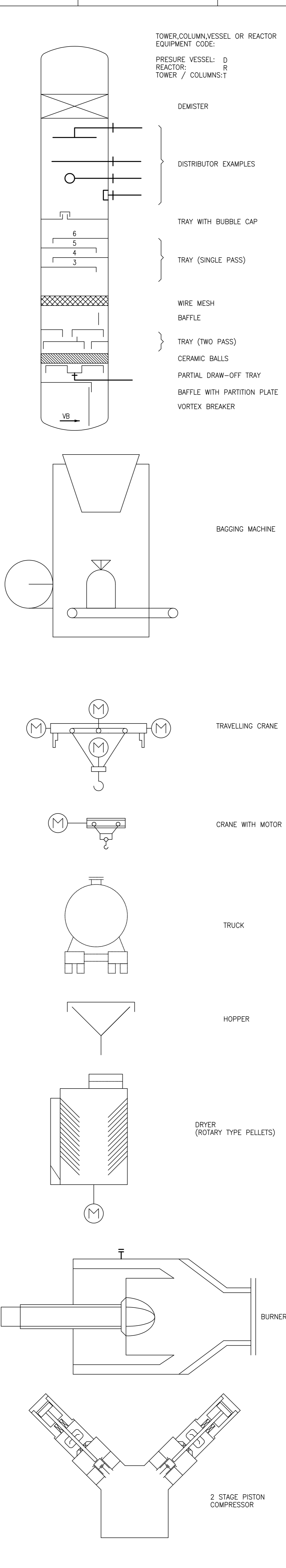
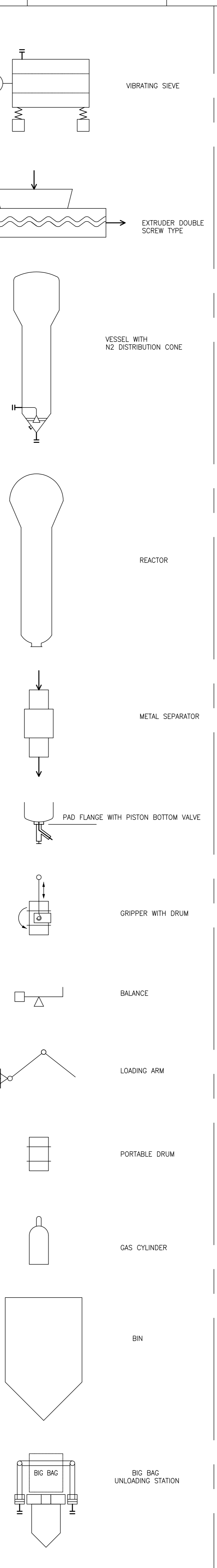
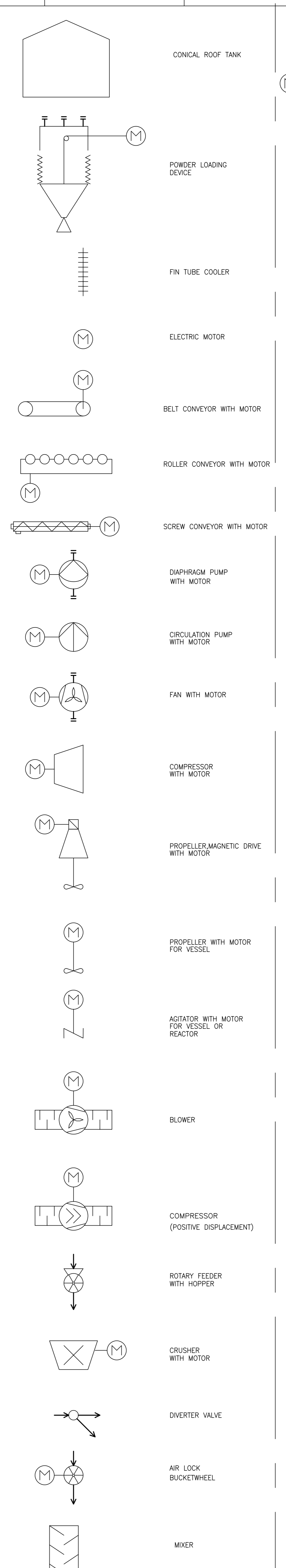
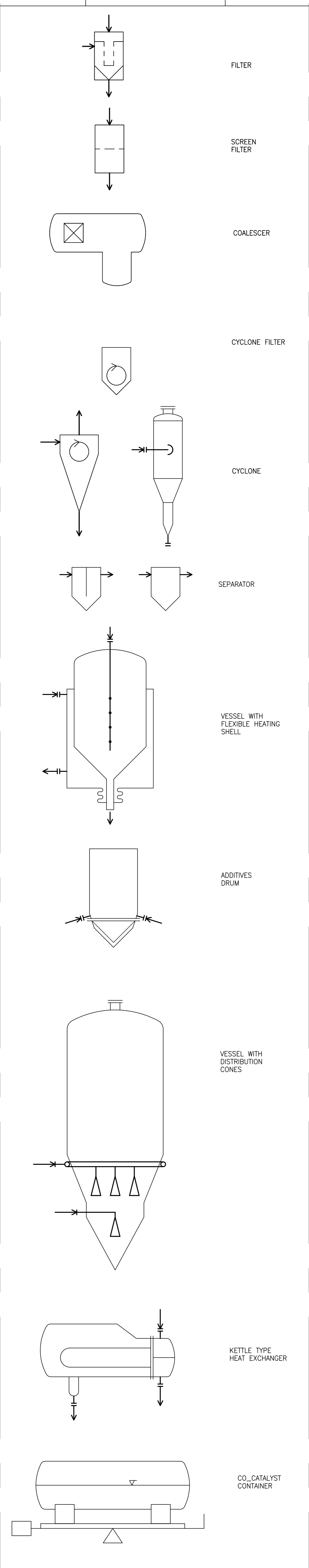
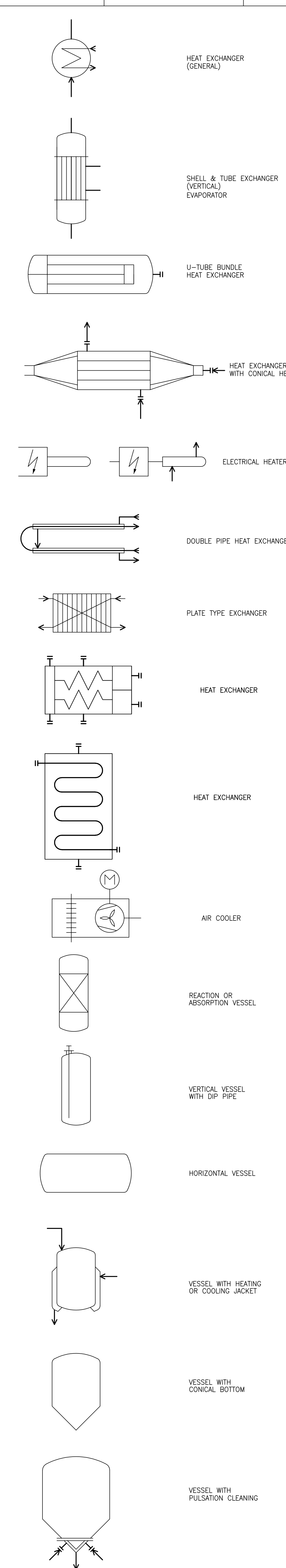
Airpack Document Number : 23383-03

Document Title : Piping & Instrument Diagram (incl. legend)

Review Code and Status		Contractor Initials/Signature	Date signed
	Code 1 REJECTED - Vendor to revise and Resubmit. Work cannot proceed		14 Apr 2025
	Code 2 Comments As Noted - Work May proceed, subject to compliance with and incorporation of comments		
	Code 3 No Comments - Work may proceed.		
	Code 4 Information only - Review not required.		

02	Issued for Approval	08-04-2025	SC	KP	JJ
01	Issued for Approval	28-02-2025	SC	KP	JJ
00	Issued for Approval	11-02-2025	SC	KP	JJ
Rev. No.	Description	Date	Prepared by	Checked by	Approved by





EQUIPMENT NUMBERING SYSTEM CONTRACTOR
 44 P-200 01A/B

MOTOR NUMBERING SYSTEM CONTRACTOR
 44P-20001AM1

CONTRACTOR EQUIPMENT CODES

EQUIPMENT CODE	EQUIPMENT ITEMS
A	AGITATOR, STIRRER, MIXER
AS	ANTISTATIC AGENT DOSING UNIT
B	BIN, BURNER
BB	BAG BREAKER
BC	BELT CONVEYOR
BO	BOTTLE
C	COMPRESSOR, BLOWER, FAN
D	SILLO
DI	DIE HEAD
E	HEAT EXCHANGER, AIR COOLER
EX	EXTRUDER
F	FILTER, CYCLONE
G	GEAR
H	HEATER
HO	HOIST
HG	HOT GAS GENERATOR UNIT
I	
J	
K	
L	DIVERTER VALVE
LS	TELESCOPIC LOADING DEVICE
M	ELECTRIC MOTOR, TURBINE
MD	METAL DETECTOR
MS	MATAL SEPARATOR
N	
O	PUMP
P	CONVEYOR
PN	CONVEYOR
PZ	PELLETIZER
Q	
R	REACTOR
RC	ROLLER CONVEYOR
RF	REFRIGERATION UNIT
S	STRAINER, SEPARATOR
SC	POWDER MIXER
T	COLUMN, MOLECULAR SIEVE
TK	STORAGE TANK
U	
US	UNLOADING STATION, UTILITY STATION
V	VESSEL, DRUM, HOPPER
W	PACKAGE UNIT
WS	SCALE, LOADING DEVICE
X	SPECIAL EQUIPMENT
Y	CATCH POT
Z	CONVEYING STATION, ROTARY VALVE

GENERAL NOTES

REFERENCE DRAWINGS: XXXX

DWG.No.: XXXX

LEGEND

RESULT CODE: AP AN CO RE

RESUBMISSION DATE:

NEXT STATUS: IFI IFA AFC ASB/FIN

Approval or review hereunder shall not be construed to relieve Vendor/ Subcontractor of his responsibilities and liability under the Contract.

P.O. NO.:

M.R. NO.:

ITEM NO. (EQUIPMENT NO.):

VENDRO JOB NO.:

00	14/Mar/24	ISSUE FOR APPROVAL	SYL	MJP	MHY
REV.	DATE	PURPOSE OF ISSUE (P.O.I.)	PREP.	CHKD.	APPR.

OWNER:

ARYA SASOL POLYMER COMPANY (ASPC)

PROJECT:

**300 KT POLYETHYLENE PLANT
 ARYA SASOL POLYMER COMPANY (ASPC)**

MC:

ISEDSCO

CONTRACTOR:

SAZEH CONSULTANTS

VENDOR:

DYPNF

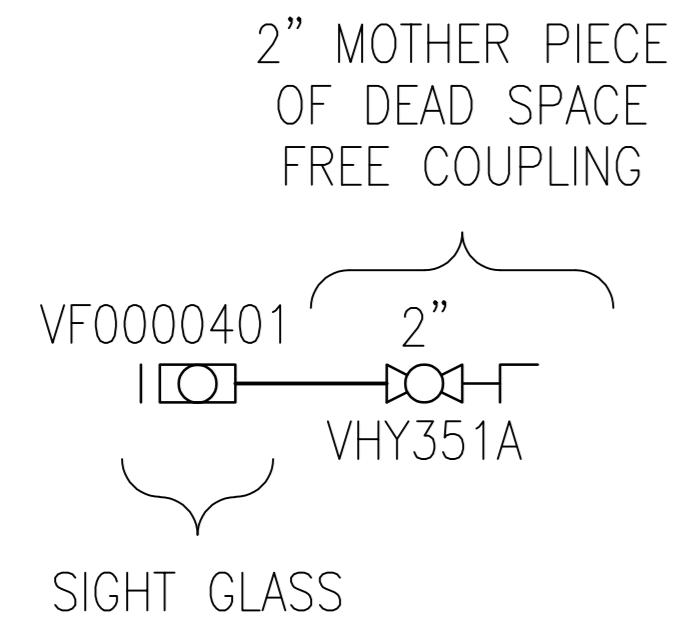
DRAWING TITLE:

**PIPING & INSTRUMENTATION DIAGRAM 00003
 LEGEND AND SYMBOLS 2
 EQUIPMENT SYMBOLS**

OWNER DOC. NO.

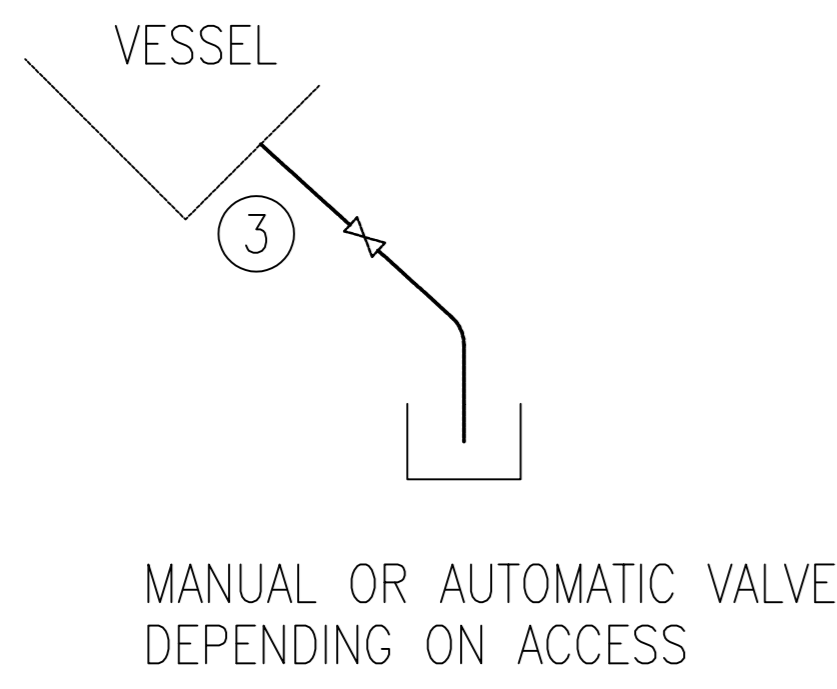
OWNER PROJECT NO.	VENDOR DWG.	MR NO.	VENDOR CODE	DISCIPLINE	UNIT	TYPE	SEQ.
3944	VD	0171	DYP	RE	000	PID	0017
SCALE:	NONE	SIZE:	A0	SHEET NO.	2	OF 14	REV. 00

No. 1
SAMPLE CONNECTION
FOR ACTIVATED CATALYST
ACC. TO P&I 10020
(NO MAT)



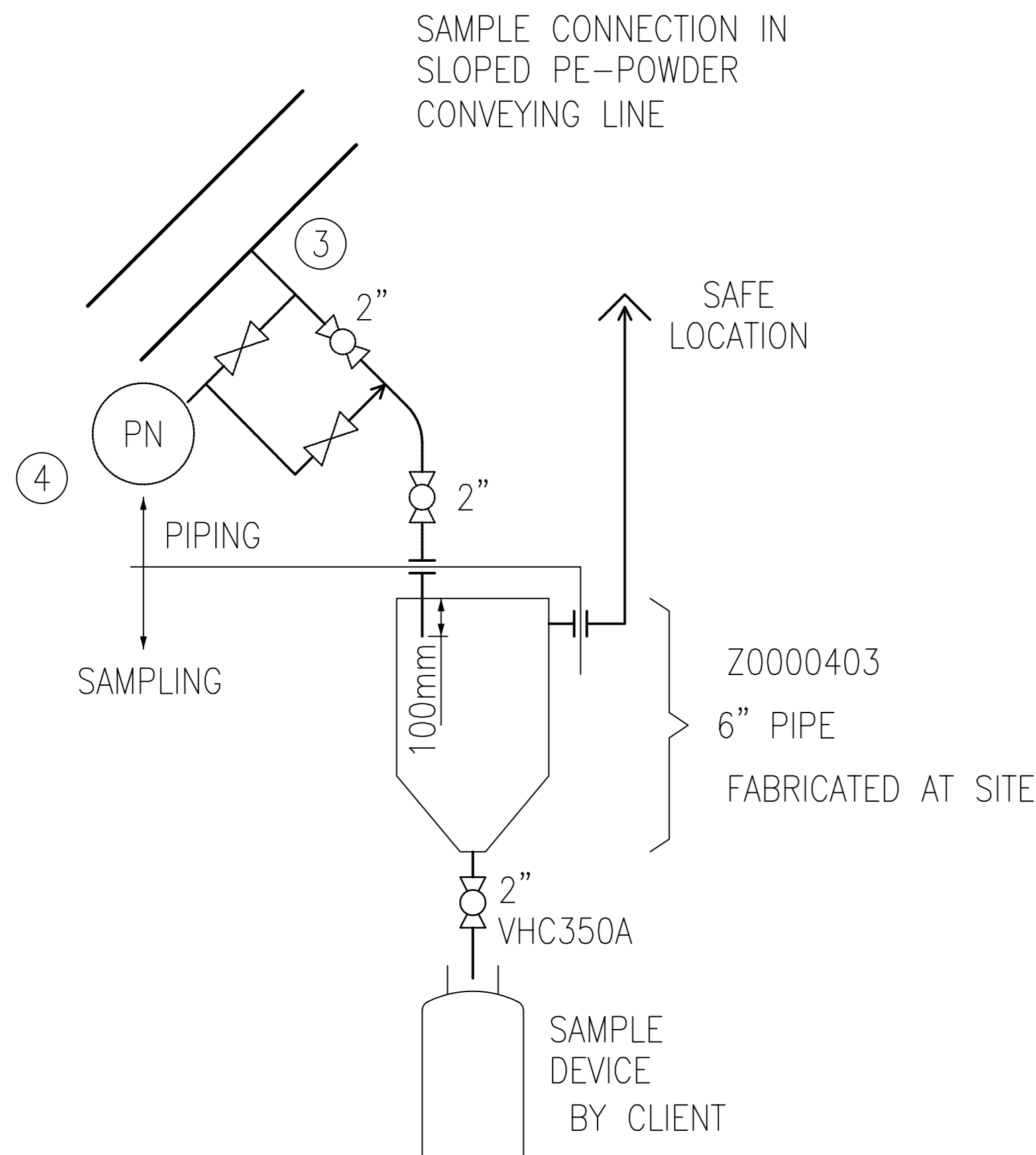
No.	SAMPLE No.	PID No.	LOCATION	MEDIUM	SAMPLE TYPE No.
1	SC1002001	10020	44B-10001B	CATALYST	No.: 1
2	SC1002002	10020	44B-10001A	CATALYST	No.: 1

No. 4
SAMPLE CONNECTION FOR
PE-GRANULATE MOUNTED
TO A VESSEL



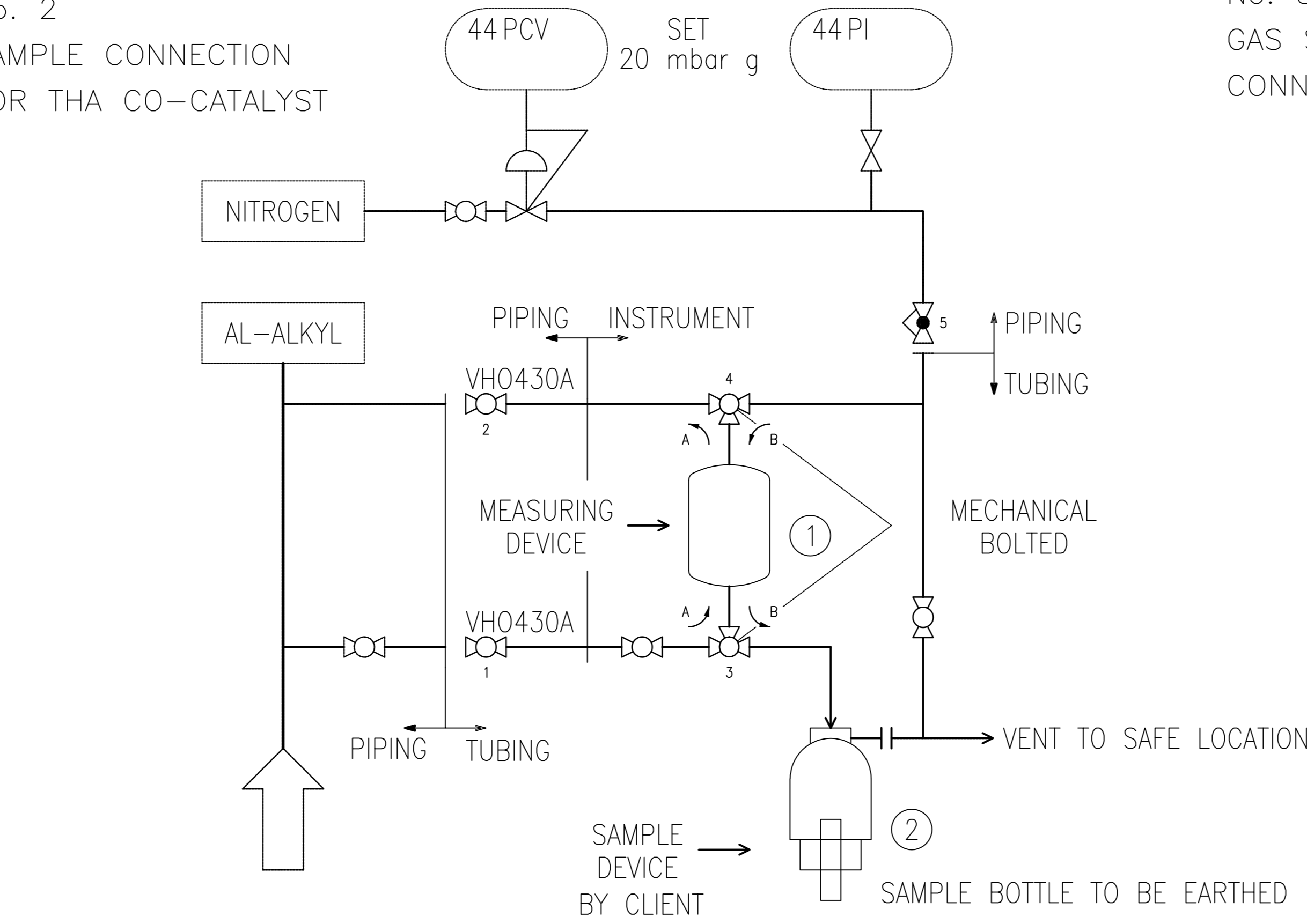
No.	SAMPLE No.	PID No.	LOCATION	MEDIUM	SAMPLE TYPE No.
1	SC5003501	50035	44V-50002-1	PE-PELLETS	No.: 4
2	SC8001001	80010	44D-80001A-1	PE-PELLETS	No.: 4
3	SC8001002	80010	44D-80001C-1	PE-PELLETS	No.: 4
4	SC8001101	80011	44D-80001B-1	PE-PELLETS	No.: 4
5	SC8001102	80011	44D-80001D-1	PE-PELLETS	No.: 4
6	SC8002001	80020	44D-80002A-1	PE-PELLETS	No.: 4
7	SC8002002	80020	44D-80002B-1	PE-PELLETS	No.: 4
8	SC8002003	80020	44D-80002C-1	PE-PELLETS	No.: 4
9	SC8002101	80021	44D-80002D-1	PE-PELLETS	No.: 4
10	SC8002102	80021	44D-80002E-1	PE-PELLETS	No.: 4
11	SC8002103	80021	44D-80002F-1	PE-PELLETS	No.: 4
12	SC8001003	80010	44D-80001E-1	PE-PELLETS	No.: 4
13	SC8001103	80011	44D-80001F-1	PE-PELLETS	No.: 4

No. 7
SAMPLE CONNECTION
FOR PE-POWDER



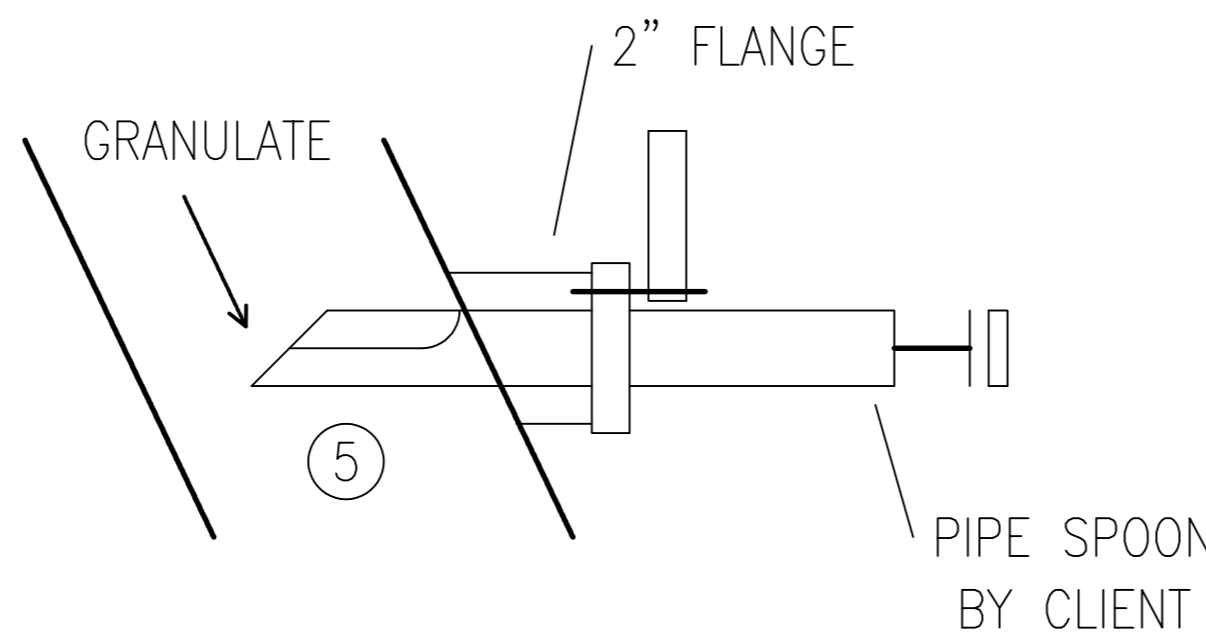
No.	SAMPLE No.	PID No.	LOCATION	MEDIUM	SAMPLE TYPE No.
1	SC4000001	40000	4000011	PE-POWDER	No.: 7
2	SC4003001	40030	4003019	PE-POWDER	No.: 7
3	SC4004001	40040	4004019	PE-POWDER	No.: 7

No. 2
SAMPLE CONNECTION
FOR THA CO-CATALYST



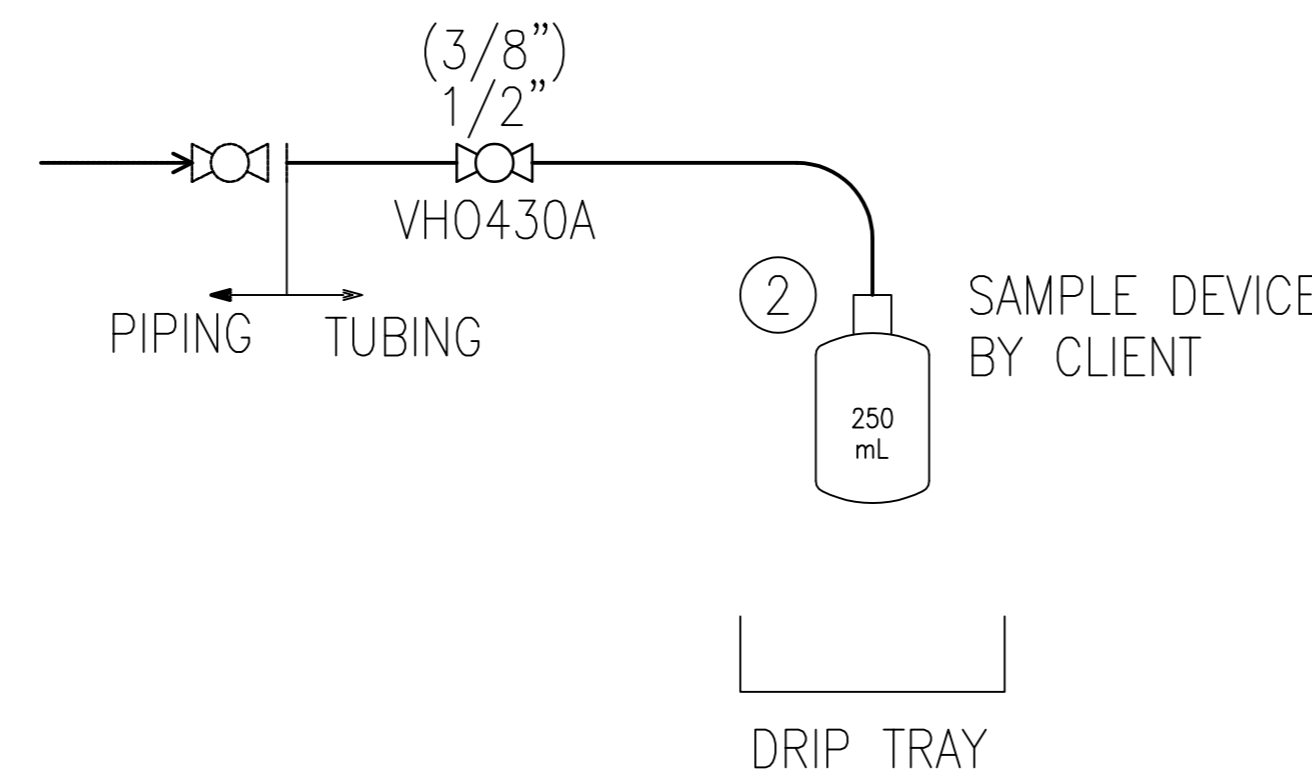
No.	SAMPLE No.	PID No.	LOCATION	MEDIUM	SAMPLE TYPE No.
1	SC1004101	10041	1004104	CO-CATALYST/HEXANE	No.: 2

No. 5
SAMPLE CONNECTION
FOR PE-GRANULATES IN
SLOPED CONVEYING PIPE



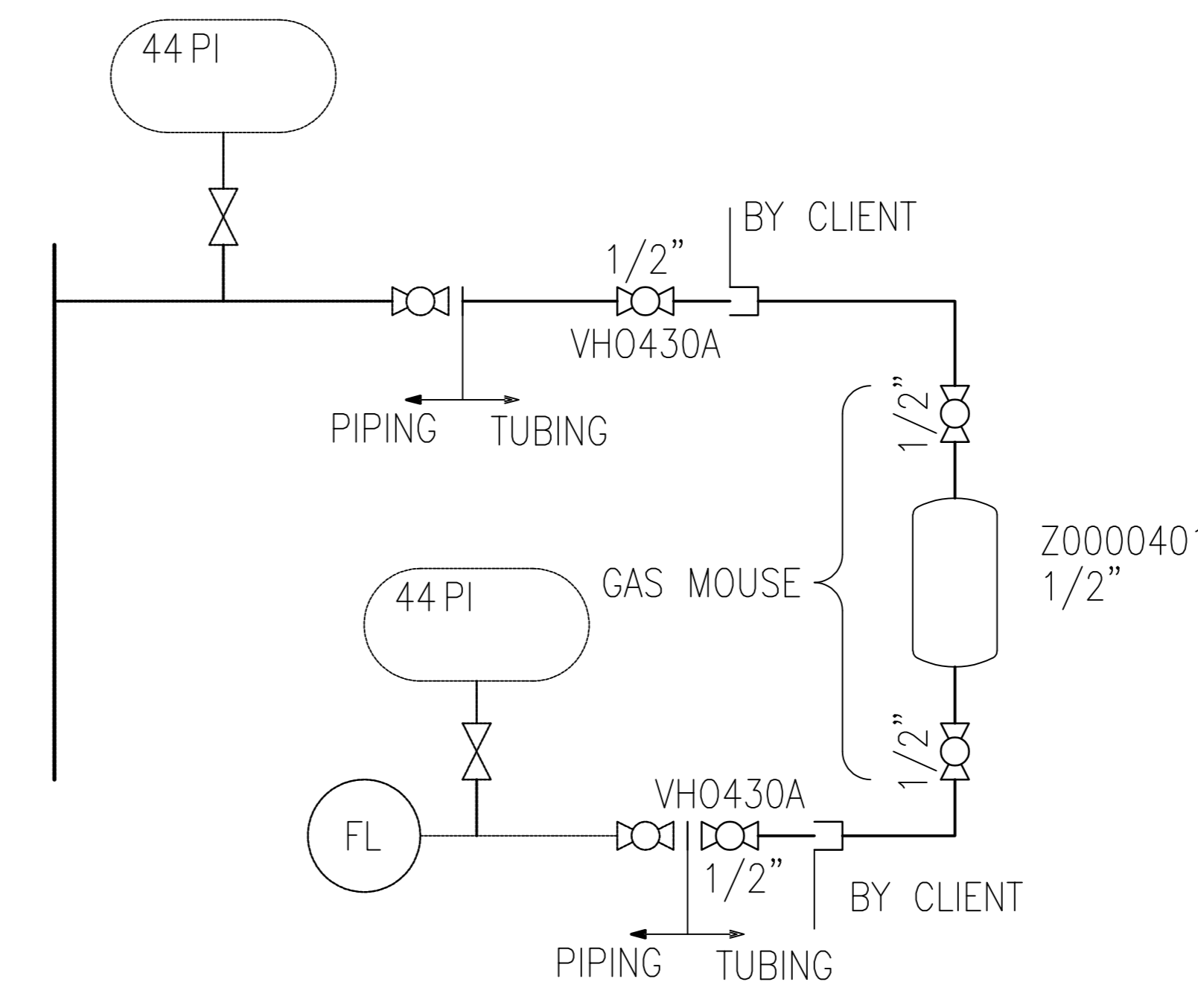
No.	SAMPLE No.	PID No.	LOCATION	MEDIUM	SAMPLE TYPE No.
1	SC5003502	50035	5002698	PE-PELLETS	No.: 5

No. 8
SAMPLE CONNECTION
FOR LIQUIDS



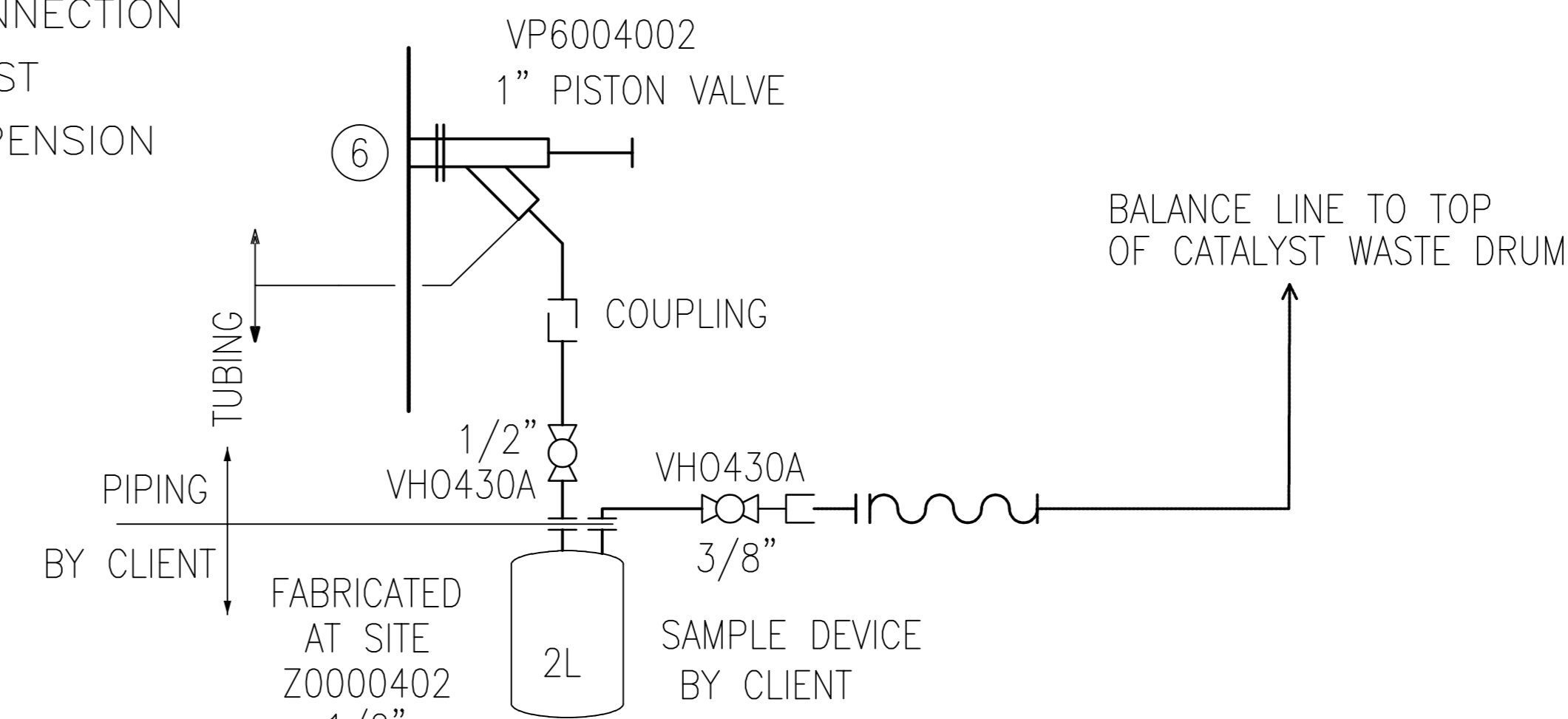
No.	SAMPLE No.	PID No.	LOCATION	MEDIUM	SAMPLE TYPE No.
1	SC1005001	10050	1005120	ANTISTATIC AGENT 1	No.: 8 (3/8")
2	SC2000001	20000	1005220	ANTISTATIC AGENT 2	No.: 8 (3/8")
3	SC7002001	70020	0001004P	HEXANE	No.: 8
4	SC7002002	70020	7006030	I-HEXENE	No.: 8
5	SC7003001	70030	7002024	N-HEXANE	No.: 8
6	SC7003002	70030	7002023	I-HEXENE	No.: 8
7	SC7003003	70030	7003013	HEXANE	No.: 8

No. 3
GAS SAMPLE
CONNECTION



No.	SAMPLE No.	PID No.	LOCATION	MEDIUM	SAMPLE TYPE No.	GAS MOUSE No.
1	SC2002001	20020	2002037	CYCLE GAS	No.: 3	No.: 1, 3
2	SC2002002	20020	2002036	CYCLE GAS	No.: 3	No.: 1, 3
3	SC3001001	30010	3001026	RECOVERY GAS	No.: 3	No.: 1, 3
4	SC3001002	30010	3001004	RECOVERY GAS	No.: 3	No.: 1, 3
5	SC3001003	30010	3001012	RECOVERY GAS	No.: 3	No.: 1, 3
6	SC3004001	30040	3004016	PERMEATE	No.: 3	No.: 1, 3
7	SC3004002	30040	3004104	RETENTATE	No.: 3	No.: 5
8	SC7000001	70000	0001001P	ETHENE TO PURIFICATION	No.: 3	No.: 2
9	SC7001001	70010	7001025	PURIFIED ETHENE	No.: 3	No.: 3, 1
10	SC7008001	70080	0001012P	NITROGEN	No.: 3	No.: 4
11	SC7008101	70081	7008127	PURE NITROGEN	No.: 3	No.: 5

No. 6
SAMPLE CONNECTION
FOR CATALYST
WASTE SUSPENSION



No.	SAMPLE No.	PID No.	LOCATION	MEDIUM	SAMPLE TYPE No.	REMARK
1	SC6004001	60040	6004007	CAT. WASTE SUSPENSION	No.: 6	SPECIAL EQUIPMENT FROM RITAG

- GENERAL NOTES
- 1- MEASURING DEVICE SMALLER THAN SAMPLE DEVICE. OVERFILLING PROTECTION.
 - 2- USE BLIND PLUG AFTER DISCONNECTING SAMPLE DEVICE.
 - 3- DIRECTLY CONNECTED.
 - 4- PN FLUSHING CONNECTION.
 - 5- SAMPLE SPOON COVERS COMPLETE DIAMETER OF SLOPED CONVEYING LINE.
 - 6- INSTALL IN SLOPED PART OF CATALYST WASTE DRUM DISCHARGE LINE.

REFERENCE DRAWINGS	DWG.No.
xxxx	xxxx

LEGEND

RESULT CODE: AP AN CO RE

NEXT STATUS: IFI IFA AFC ASB/FIN

Approval or review hereunder shall not be construed to relieve Vendor/ Subcontractor of his responsibilities and liability under the Contract.

P.O. NO.:

M.R. NO.:

ITEM NO. (EQUIPMENT NO.):

VENDOR JOB NO.:

00 14/Mar/24
REV. DATE
ISSUE FOR APPROVAL
PURPOSE OF ISSUE (P.O.I.)
SYL MJP MHY
PREP,CHKD,APPR.



PROJECT:
300 KT POLYETHYLENE PLANT
ARYA SASOL POLYMER COMPANY (ASPC)

MC:
ISEDCO
شرکت صن و مهندسی آریا

CONTRACTOR:
SAZEH CONSULTANTS
VENDOR:
DYPNF

DRAWING TITLE:
PIPING & INSTRUMENTATION DIAGRAM 00004
LEGEND AND SYMBOLS 3
SAMPLE TAKING DEVICE
OWNER DOC. NO.

OWNER PROJECT NO.	VENDOR DWG.	MR NO.	VENDOR CODE	DISCIPLINE	UNIT	TYPE	SEQ.
3944	VD	0171	DYP	RE	000	PID	0017
SCALE: NONE	SIZE: A0	SHEET NO. 3	OF 14	REV. 00			

Add to Legend & Symbols 4
Motor & Valve Symbols

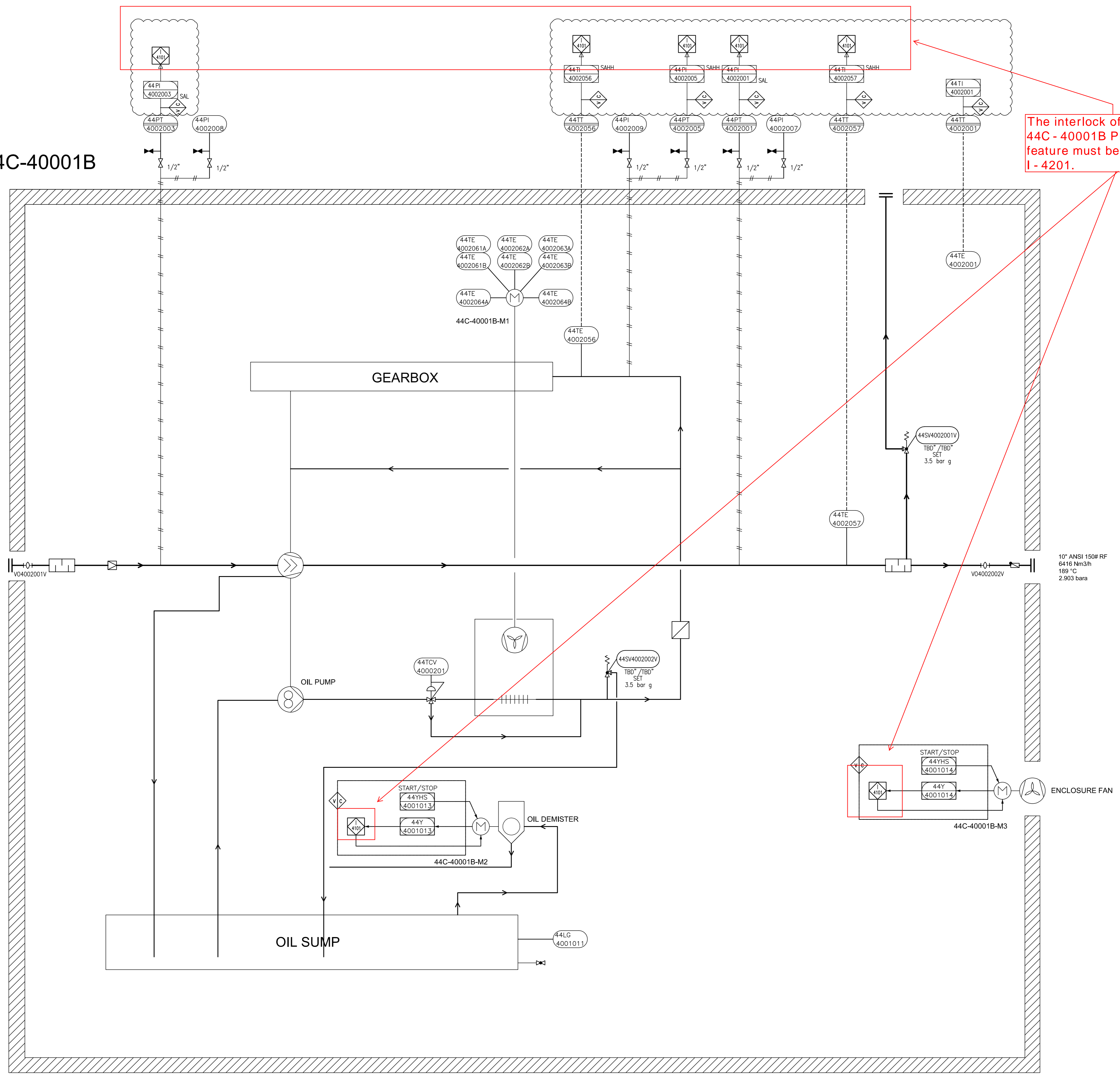
General comment
See comment on 44C - 40001A

The interlock of the
44C - 40001B Protection
feature must be modified to
I - 4201.

44C-40001B

14" ANSI 150# RF
6255 Nm³/h
48 °C
1.063 bara

10" ANSI 150# RF
6416 Nm³/h
189 °C
2.903 bara



GENERAL NOTES

1- -

LEGEND

I - 4201 44C - 40001B PROTECTION

DETAIL

02	08/Apr/25	ISSUE FOR APPROVAL	SC	KP	JJ
01	27/Feb/25	ISSUE FOR APPROVAL	SC	KP	JJ
00	11/Feb/25	ISSUE FOR APPROVAL	SC	KP	JJ
REV.	DATE	PURPOSE OF ISSUE (P.O.I.)	PREP.	CHKD.	APPR.



PROJECT:
300 KT POLYETHYLENE PLANT
ARYA SASOL POLYMER COMPANY (ASPC)

MC:
ISEDCO
شرکت عمران و ساختن

CONTRACTOR:
SAZEH CONSULTANTS
SAZEH PARTNER

VENDOR:
DYPNF

DRAWING TITLE:
PIPING & INSTRUMENTATION DIAGRAM
PNEUMATIC CONVEYING SYSTEM 44C-40001B

OWNER DOC. NO.					
OWNER PROJECT NO.	VENDOR DWG.	MR NO.	VENDOR CODE	DISCIPLINE	UNIT TYPE SEQ.
3944	VD	0171	DYP	RE	400 PID 0016
SCALE:	NONE	SIZE:	A0	SHEET NO.	5 OF 14 REV. 02

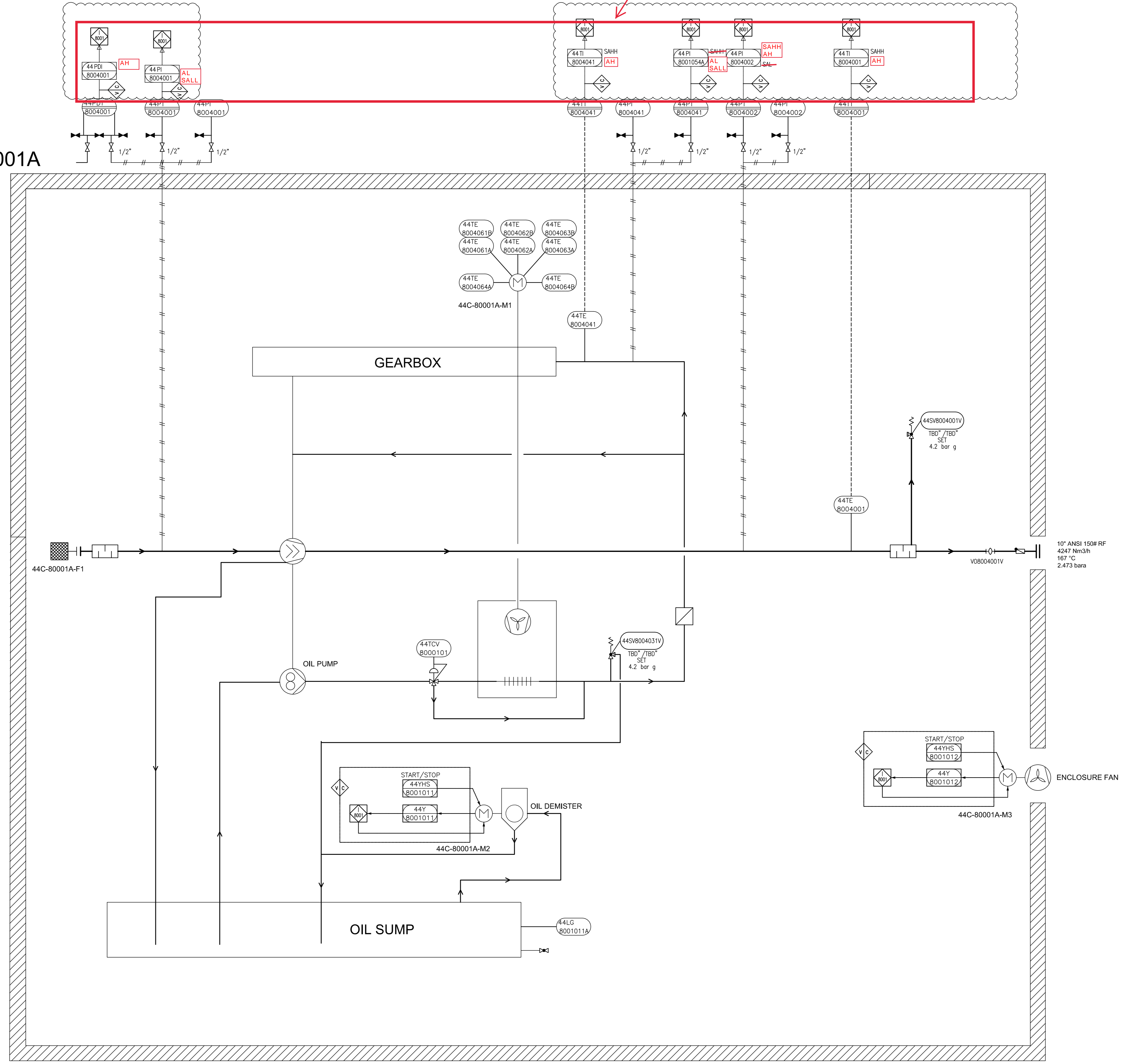
ITEM	44C-40001B	44M-40001B
DESCRIPTION	Blower	Main Motor
TECHNICAL DATA	Outlet Capacity: 6416 Nm ³ /h Inlet/Outlet Pressure: 1.053/2.903 Bara Inlet/Outlet Temp: 48/189 °C Gas: Nitrogen Guaranteed capacity: 6255 Nm ³ /hr	Rated Power: 440 kW Speed: 2988 rpm Power Supply: 6kV / 50Hz / 3ph

THIS DOCUMENT WITH ALL ITS RIGHTS IS THE PROPERTY OF A.S.P.C. AND MUST BE HELD IN CONFIDENCE. NO DISCLOSURE, REPRODUCTION OR OTHER USE OF THE DOCUMENT IN WHOLE OR A PORTIONS TO BE MADE WITHOUT THE PRIOR CONSENT OF A.S.P.C.

General comment
See comment on 44C - 40001A

General comment
Same comment for all air compressors

44C-80001A



Conveying Air compressor
for all air compressors

GENERAL NOTES

1- -

LEGEND

I- 8001 PELLET HANDLING (VENDOR)

DETAIL

02	08/Apr/25	ISSUE FOR APPROVAL	SC	KP	JJ
01	27/Feb/25	ISSUE FOR APPROVAL	SC	KP	JJ
00	11/Feb/25	ISSUE FOR APPROVAL	SC	KP	JJ
REV.	DATE	PURPOSE OF ISSUE (P.O.I.)	PREP.	CHKD.	APPR.



PROJECT:
300 KT POLYETHYLENE PLANT
ARYA SASOL POLYMER COMPANY (ASPC)

MC:
ISEDCO
شرکت مهندسی و صنعتی آریا ساسول

CONTRACTOR:
SAZEH CONSULTANTS
SAZEH POLYMER
VENDOR:
DYPNF

DRAWING TITLE:
PIPING & INSTRUMENTATION DIAGRAM
PNEUMATIC CONVEYING SYSTEM 44C-80001A

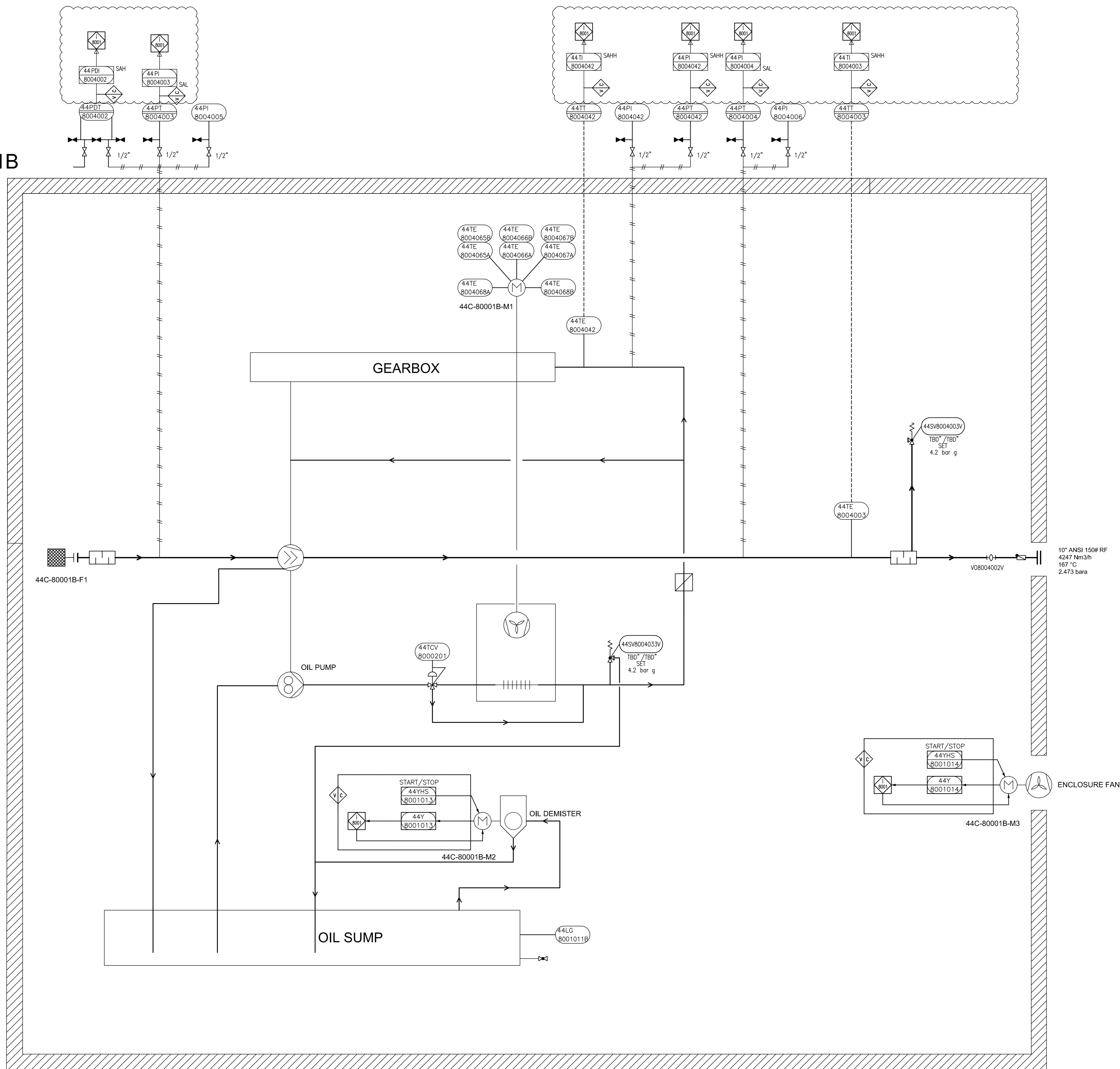
OWNER DOC. NO.					
OWNER PROJECT NO.	VENDOR DWG.	MR NO.	VENDOR CODE	DISCIPLINE	UNIT TYPE
3944	VD	0180	DYP	RE	800 PID
SCALE:	NONE	SIZE:	A0	SHEET NO.	6 OF 14
				REV.	02

ITEM	44C-80001A	44M-80001A		
DESCRIPTION	Blower	Main Motor		
TECHNICAL DATA	Outlet Capacity: 4247 Nm ³ /h Inlet/Outlet Pressure: 1.013/2.473 Bara Inlet/Outlet Temp: 48/167 °C Gas: Air Guaranteed capacity: 4175 Nm ³ /h	Rated Power: 250 kW Speed: 2980 rpm Power Supply: 6kV / 50Hz / 3ph		

THIS DOCUMENT WITH ALL ITS RIGHTS IS THE PROPERTY OF A.S.P.C. AND MUST BE HELD IN CONFIDENCE. NO DISCLOSURE, REPRODUCTION OR OTHER USE OF THE DOCUMENT IN WHOLE OR IN PART IS PERMITTED WITHOUT THE PRIOR CONSENT OF A.S.P.C.

General comment
See comment on 44C - 40001A & 44C - 80001A

44C-80001B



GENERAL NOTES

1- -

LEGEND

I - 8001 PELLET HANDLING (VENDOR)

DETAIL

02	08/Apr/25	ISSUE FOR APPROVAL	SC	KP	JJ
01	27/Feb/25	ISSUE FOR APPROVAL	SC	KP	JJ
00	11/Feb/25	ISSUE FOR APPROVAL	SC	KP	JJ
REV.	DATE	PURPOSE OF ISSUE (P.O.I.)	PREP.	CHKD.	APPR.



PROJECT:
300 KT POLYETHYLENE PLANT
ARYA SASOL POLYMER COMPANY (ASPC)

MC:
ISEDCO
شرکت مهندسی و پیمانکاری

CONTRACTOR:
SAZEH CONSULTANTS
SAZEPARTNER

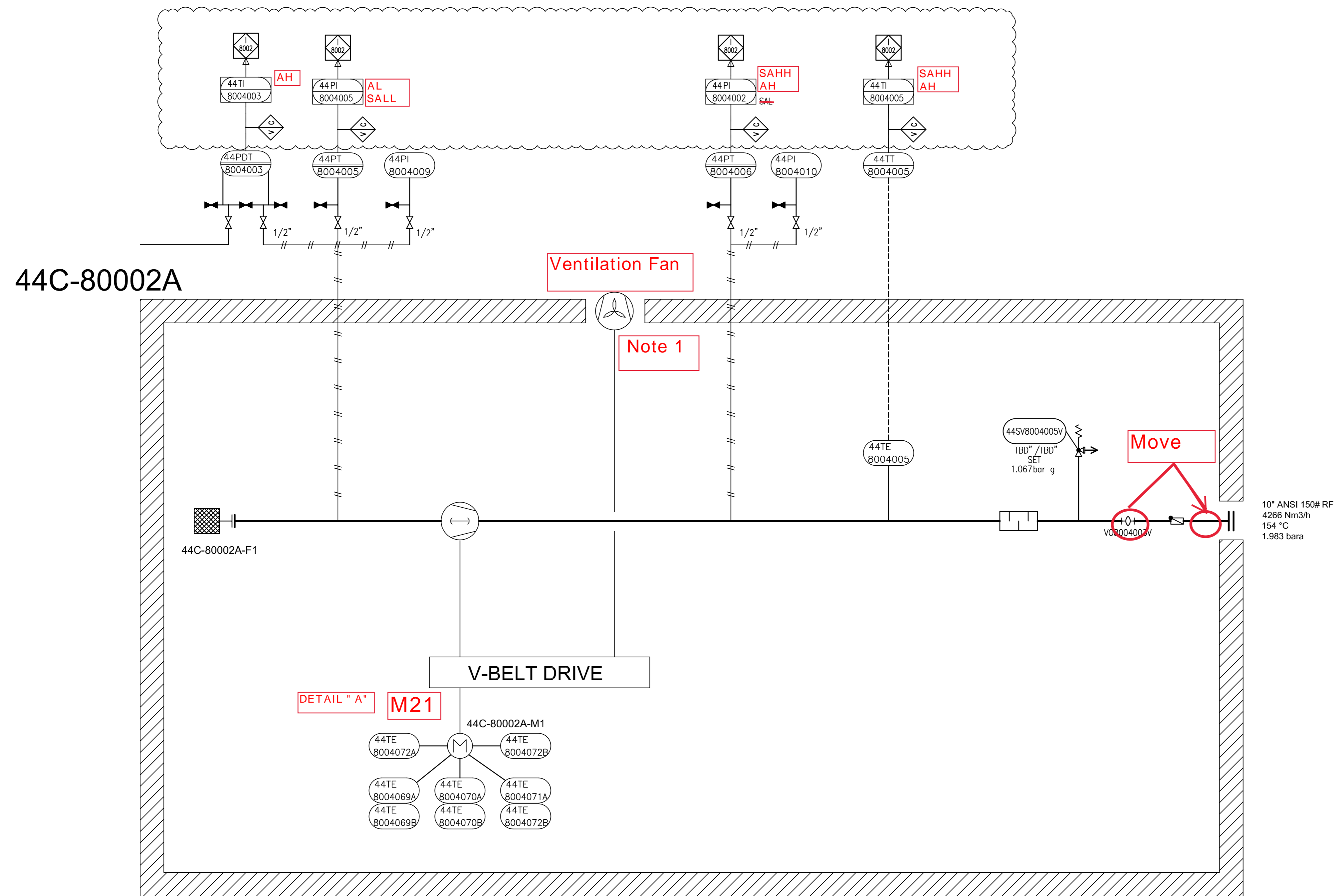
VENDOR:
DYPNF

DRAWING TITLE:
PIPING & INSTRUMENTATION DIAGRAM
PNEUMATIC CONVEYING SYSTEM 44C-80001B

OWNER DOC. NO.					
OWNER PROJECT NO.	VENDOR DWG.	MR NO.	VENDOR CODE	DISCIPLINE	UNIT TYPE SEQ.
3944	VD	0180	DYP	RE	800 PID 0016
SCALE:	NONE	SIZE:	A0	SHEET NO.	7 OF 14 REV. 02

ITEM	44C-80001B	44M-80001B
DESCRIPTION	Blower	Main Motor
TECHNICAL DATA	Outlet Capacity: 4247 Nm3/h Inlet/Outlet Pressure: 1.013/2.473 Bara Inlet/Outlet Temp: 48/167 °C Gas: Air Guaranteed capacity: 4175 Nm3/hr	Rated Power: 250 kW Speed: 2980 rpm Power Supply: 6kV / 50Hz / 3ph

THIS DOCUMENT WITH ALL ITS RIGHTS IS THE PROPERTY OF A.S.P.C. AND MUST BE HELD IN CONFIDENCE. NO DISCLOSURE, REPRODUCTION OR OTHER USE OF THE DOCUMENT IN WHOLE OR A PORTIONS TO BE MADE WITHOUT THE PRIOR CONSENT OF A.S.P.C.



44C-80002A

Ventilation Fan

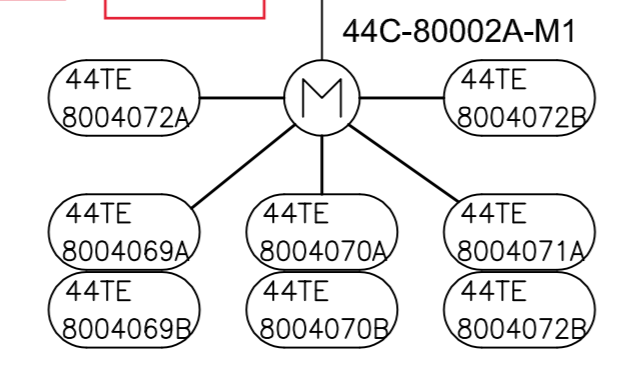
Note 1

Move

10' ANSI 150# RF
4266 Nm3/h
154 °C
1.983 bara

V-BELT DRIVE

DETAIL "A" M21



GENERAL NOTES

1. Driven by blower shaft

LEGEND

I - 8001 PELLETT HANDLING (VENDOR)

DETAIL

REV	DATE	PURPOSE OF ISSUE (P.O.I.)	PREP	CHKD	APPR
02	08/Apr/25	ISSUE FOR APPROVAL	SC	KP	JJ
01	27/Feb/25	ISSUE FOR APPROVAL	SC	KP	JJ
00	11/Feb/25	ISSUE FOR APPROVAL	SC	KP	JJ

OWNER:



PROJECT:
300 KT POLYETHYLENE PLANT
ARYA SASOL POLYMER COMPANY (ASPC)

MC:
ISEDCO
شرکت مهندسی و صنعتی آریا ساسول

CONTRACTOR:
SAZEH CONSULTANTS
SAZEH POLYMER
VENDOR:
DYPNF

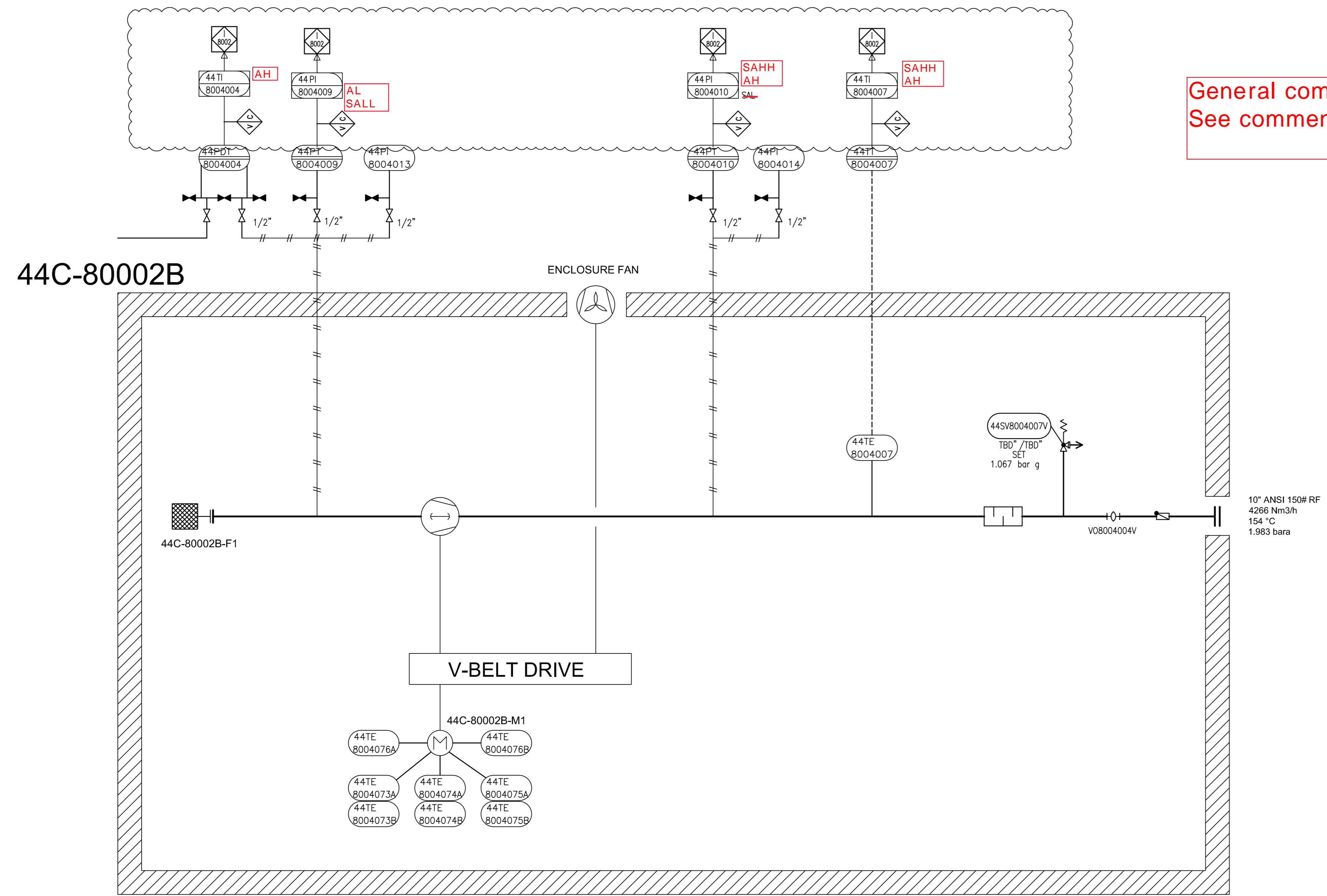
DRAWING TITLE:
PIPING & INSTRUMENTATION DIAGRAM
PNEUMATIC CONVEYING TRANSPORT 44C-80002A

OWNER PROJECT NO.	VENDOR DWG.	MR NO.	VENDOR CODE	DISCIPLINE	UNIT	TYPE	SEQ.
3944	VD	0180	DYP	RE	800	PID	0016

SCALE: NONE SIZE: A0 SHEET NO. 8 OF 14 REV. 02

ITEM	44C-80002A	44C-80002A-M			
DESCRIPTION	Conveying Air Blower	Main Motor			
TECHNICAL DATA	Outlet Capacity: 4266 Nm3/h Inlet/Outlet Pressure: 1.013/1.983 Bara Inlet/Outlet Temp: 48/154 °C Gas: Air Guaranteed capacity: 4257 Nm3/hr	Rated Power: 250 kW Speed: 1488 rpm Power Supply: 6kV / 50Hz / 3ph			

THIS DOCUMENT WITH ALL ITS RIGHTS IS THE PROPERTY OF A.S.P.C. AND MUST BE HELD IN CONFIDENCE. NO DISCLOSURE, REPRODUCTION OR OTHER USE OF THE DOCUMENT IN WHOLE OR A PORTIONS TO BE MADE WITHOUT THE PRIOR CONSENT OF A.S.P.C.



General comment
See comment on 44C - 80002A

GENERAL NOTES	
1-	-

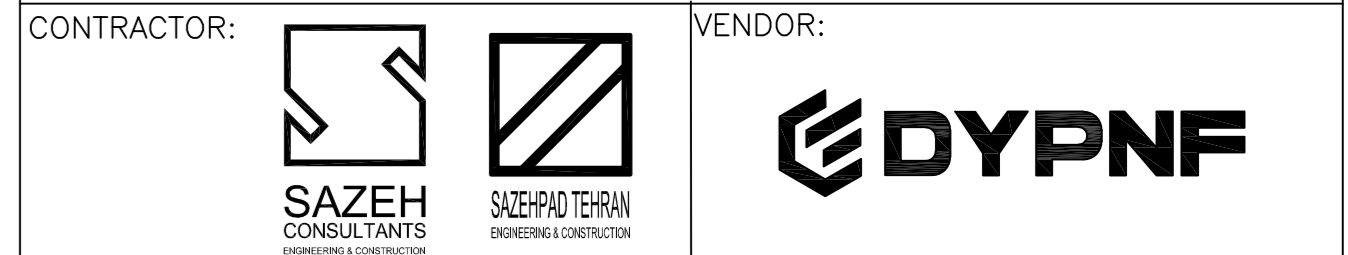
LEGEND	
I-	8001 PELLET HANDLING (VENDOR)

DETAIL	

REV.	DATE	PURPOSE OF ISSUE (P.O.I.)	PREP.	CHKD.	APPR.
02	08/Apr/25	ISSUE FOR APPROVAL	SC	KP	JJ
01	27/Feb/25	ISSUE FOR APPROVAL	SC	KP	JJ
00	11/Feb/25	ISSUE FOR APPROVAL	SC	KP	JJ



PROJECT:
300 KT POLYETHYLENE PLANT
ARYA SASOL POLYMER COMPANY (ASPC)



DRAWING TITLE:
PIPING & INSTRUMENTATION DIAGRAM
PNEUMATIC CONVEYING SYSTEM 44C-80002B

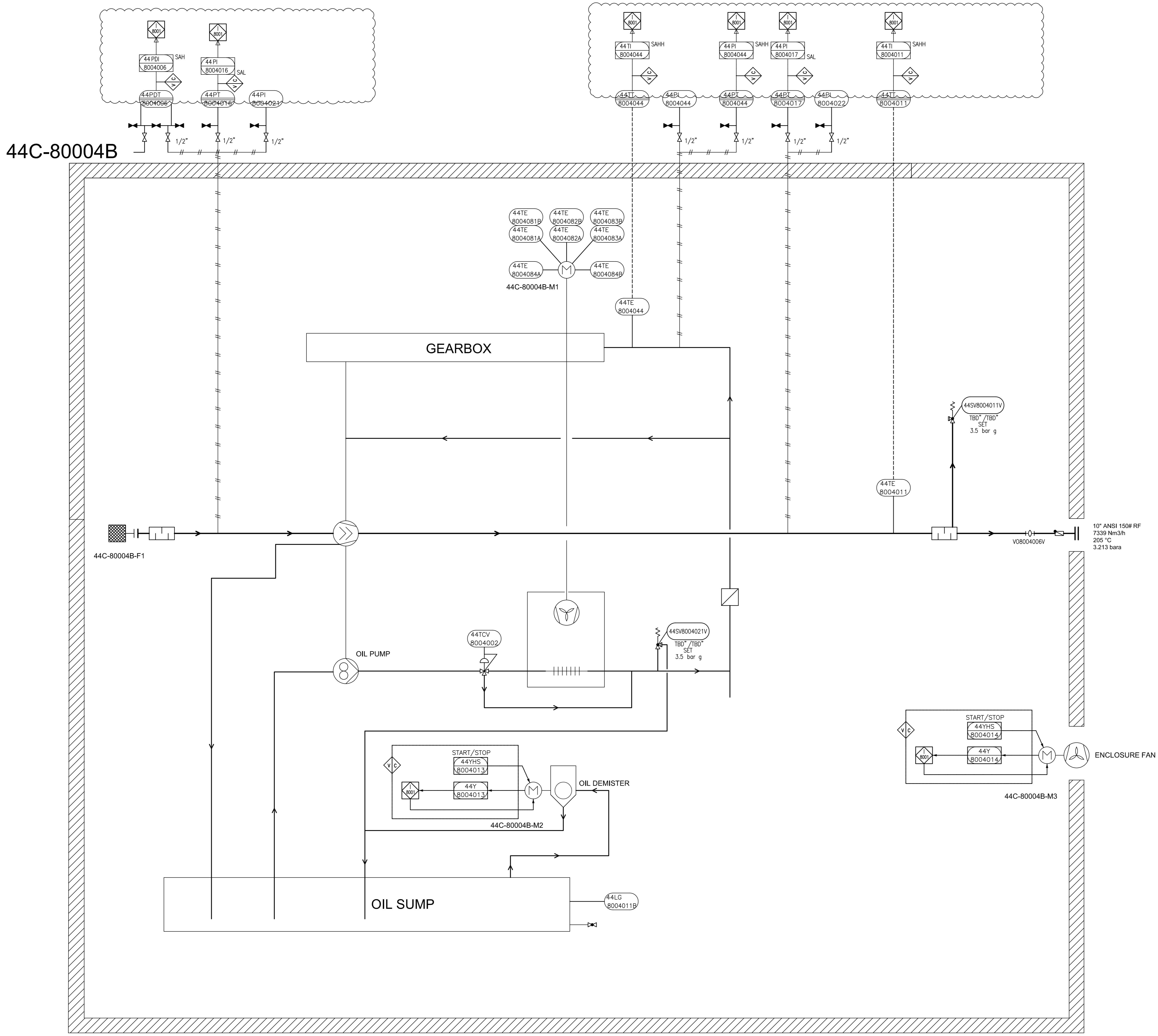
OWNER PROJECT NO.		VENDOR DWG.		MR NO.		VENDOR CODE		DISCIPLINE		UNIT		TYPE		SEQ.	
3944	VD	0180	DYP	RE	800	PID	0016								

SCALE: NONE SIZE: A0 SHEET NO. 9 OF 14 REV. 02

ITEM	44C-80002B	44C-80002B-M			
DESCRIPTION	Conveying Air Blower	Main Motor			
TECHNICAL DATA	Outlet Capacity: 4266 Nm ³ /h Inlet/Outlet Pressure: 1.013/1.983 Bara Inlet/Outlet Temp: 48/154 °C Gas: Air Guaranteed capacity: 4257 Nm ³ /hr	Rated Power: 250 kW Speed: 1488 rpm Power Supply: 6kV / 50Hz / 3ph			

THIS DOCUMENT WITH ALL ITS RIGHTS IS THE PROPERTY OF A.S.P.C. AND MUST BE HELD IN CONFIDENCE. NO DISCLOSURE, REPRODUCTION OR OTHER USE OF THE DOCUMENT IN WHOLE OR A PORTIONS TO BE MADE WITHOUT THE PRIOR CONSENT OF A.S.P.C.

General comment
See comment on 44C - 40001A & 44C - 80001A



GENERAL NOTES
1- -

LEGEND
I - 8001 PELLET HANDLING (VENDOR)

DETAIL

02	08/Apr/25	ISSUE FOR APPROVAL	SC	KP	JJ
01	27/Feb/25	ISSUE FOR APPROVAL	SC	KP	JJ
00	11/Feb/25	ISSUE FOR APPROVAL	SC	KP	JJ
REV.	DATE	PURPOSE OF ISSUE (P.O.I.)	PREP.	CHKD.	APPR.



PROJECT:
300 KT POLYETHYLENE PLANT
ARYA SASOL POLYMER COMPANY (ASPC)

MC:
ISEDCO
شرکت مهندسی و پیمانکاری

CONTRACTOR:
SAZEH CONSULTANTS
SAZEPARTNER

VENDOR:
DYPNF

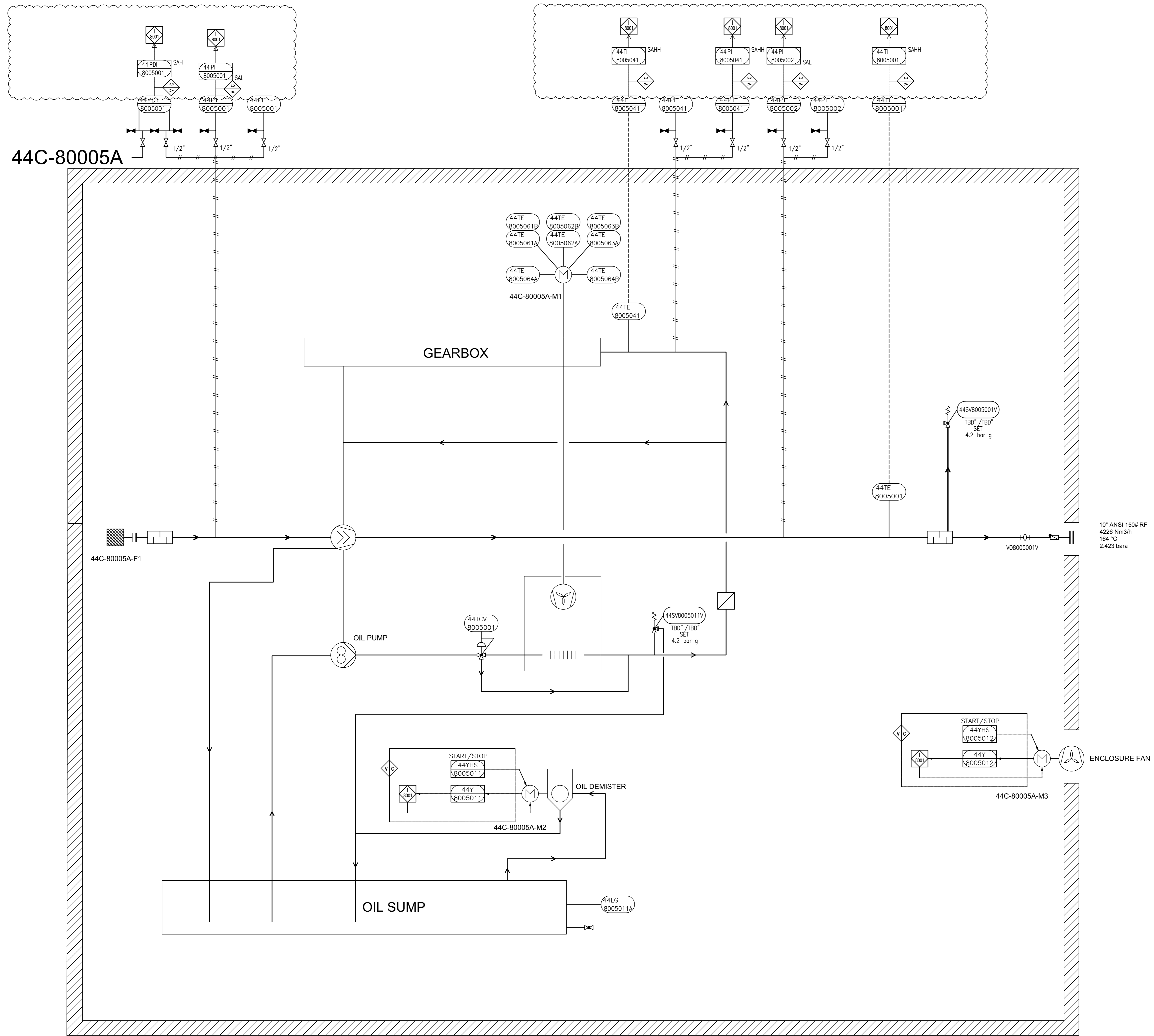
DRAWING TITLE:
PIPING & INSTRUMENTATION DIAGRAM
PNEUMATIC CONVEYING SYSTEM 44C-80004B

OWNER DOC. NO.					
OWNER PROJECT NO.	VENDOR DWG.	MR NO.	VENDOR CODE	DISCIPLINE	UNIT TYPE SEQ.
3944	VD	0180	DYP	RE	800 PID 0016
SCALE:	NONE	SIZE:	A0	SHEET NO.	11 OF 14 REV. 02

ITEM	44C-80004B	44M-80004B
DESCRIPTION	Blower	Main Motor
TECHNICAL DATA	Outlet Capacity: 7339 Nm3/h Inlet/Outlet Pressure: 1.013/3.213 Bara Inlet/Outlet Temp: 48/205 °C Gas: Air Guaranteed Capacity: 7185 Nm3/hr	Rated Power: 560 kW Speed: 2985 rpm Power Supply: 6kV / 50Hz / 3ph

THIS DOCUMENT WITH ALL ITS RIGHTS IS THE PROPERTY OF A.S.P.C. AND MUST BE HELD IN CONFIDENCE. NO DISCLOSURE, REPRODUCTION OR OTHER USE OF THE DOCUMENT IN WHOLE OR A PORTIONS TO BE MADE WITHOUT THE PRIOR CONSENT OF A.S.P.C.

General comment
See comment on 44C - 40001A & 44C - 80001A



GENERAL NOTES
1- -

LEGEND
I - 8001 PELLETT HANDLING (VENDOR)

DETAIL

REV.	DATE	PURPOSE OF ISSUE (P.O.I.)	PREP.	CHKD.	APPR.
02	08/Apr/25	ISSUE FOR APPROVAL	SC	KP	JJ
01	27/Feb/25	ISSUE FOR APPROVAL	SC	KP	JJ
00	11/Feb/25	ISSUE FOR APPROVAL	SC	KP	JJ



PROJECT:
300 KT POLYETHYLENE PLANT
ARYA SASOL POLYMER COMPANY (ASPC)

MC:
ISEDCO
شرکت مهندسی و پیمانکاری

CONTRACTOR:
SAZEH CONSULTANTS
SARAFERDIN

VENDOR:
DYPNF

DRAWING TITLE:
PIPING & INSTRUMENTATION DIAGRAM
PNEUMATIC CONVEYING SYSTEM 44C-80005A

OWNER DOC. NO.

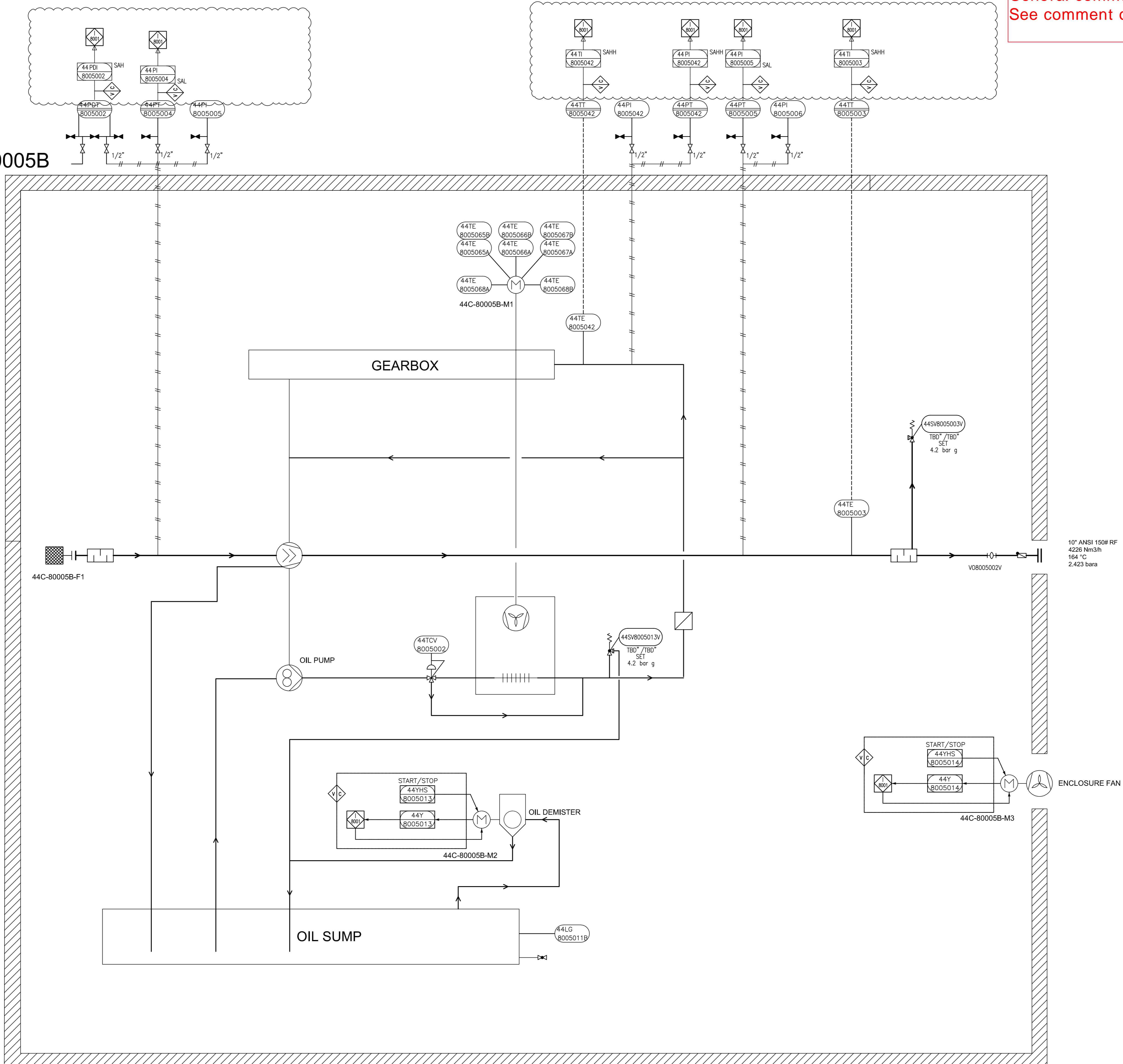
OWNER PROJECT NO.	VENDOR DWG.	MR NO.	VENDOR CODE	DISCIPLINE	UNIT	TYPE	SEQ.
3944	VD	0180	DYP	RE	800	PID	0016

SCALE: NONE SIZE: A0 SHEET NO. 12 OF 14 REV. 02

ITEM	44C-80005A	44M-80005A
DESCRIPTION	Blower	Main Motor
TECHNICAL DATA	Outlet Capacity: 4226 Nm ³ /h Inlet/Outlet Pressure: 1.013/2.423 Bara Inlet/Outlet Temp: 48/164 °C Gas: Air Guaranteed capacity: 4095 Nm ³ /hr	Rated Power: 250 kW Speed: 2980 rpm Power Supply: 6kV / 50Hz / 3ph

THIS DOCUMENT WITH ALL ITS RIGHTS IS THE PROPERTY OF A.S.P.C. AND MUST BE HELD IN CONFIDENCE. NO DISCLOSURE, REPRODUCTION OR OTHER USE OF THE DOCUMENT IN WHOLE OR A PORTION IS TO BE MADE WITHOUT THE PRIOR CONSENT OF A.S.P.C.

44C-80005B



General comment
See comment on 44C - 40001A & 44C - 80001A

GENERAL NOTES

1- -

LEGEND

I- 8001 PELLETT HANDLING (VENDOR)

DETAIL

10" ANSI 150# RF
4226 Nm³/h
164 °C
2.423 bara

44C-80005B-M3

02	08/Apr/25	ISSUE FOR APPROVAL	SC	KP	JJ
01	27/Feb/25	ISSUE FOR APPROVAL	SC	KP	JJ
00	11/Feb/25	ISSUE FOR APPROVAL	SC	KP	JJ
REV.	DATE	PURPOSE OF ISSUE (P.O.I.)	PREP.	CHKD.	APPR.



PROJECT:
300 KT POLYETHYLENE PLANT
ARYA SASOL POLYMER COMPANY (ASPC)

MC:
ISEDCO
شرکت مهندسی و پیمانکاری

CONTRACTOR:
SAZEH CONSULTANTS
VENDOR:
DYPNF

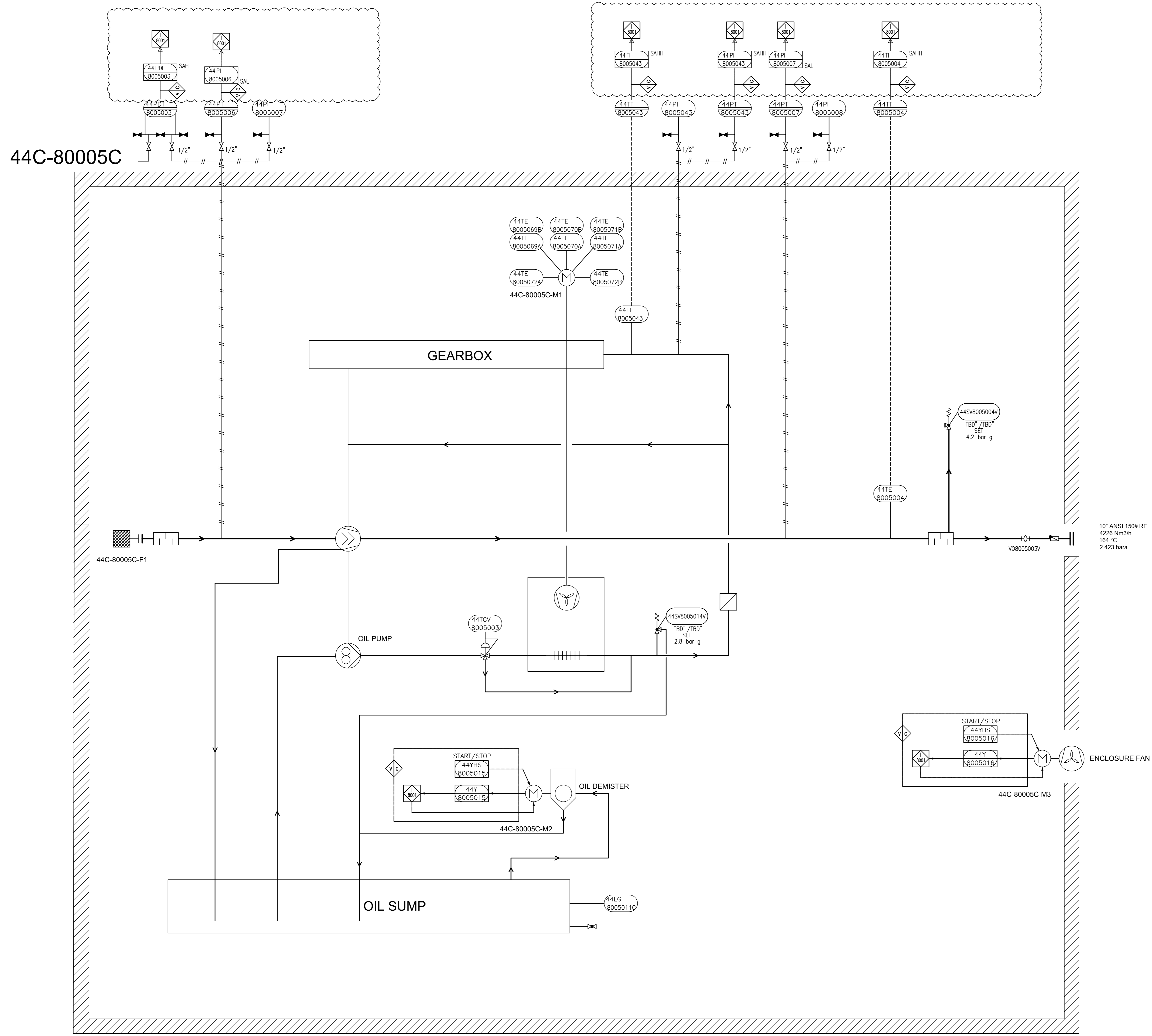
DRAWING TITLE:
PIPING & INSTRUMENTATION DIAGRAM
PNEUMATIC CONVEYING SYSTEM 44C-80005B

OWNER DOC. NO.					
OWNER PROJECT NO.	VENDOR DWG.	MR NO.	VENDOR CODE	DISCIPLINE	UNIT TYPE
3944	VD	0180	DYP	RE	800 PID 0016
SCALE:	NONE	SIZE:	A0	SHEET NO.	13 OF 14
				REV.	02

ITEM	44C-80005B	44M-80005B		
DESCRIPTION	Blower	Main Motor		
TECHNICAL DATA	Outlet Capacity: 4226 Nm ³ /h Inlet/Outlet Pressure: 1.013/2.423 Bara Inlet/Outlet Temp: 48/164 °C Gas: Ar Guaranteed capacity: 4095 Nm ³ /hr	Rated Power: 250 kW Speed: 2980 rpm Power Supply: 6kV / 50Hz / 3ph		

THIS DOCUMENT WITH ALL ITS RIGHTS IS THE PROPERTY OF A.S.P.C. AND MUST BE HELD IN CONFIDENCE. NO DISCLOSURE, REPRODUCTION OR OTHER USE OF THE DOCUMENT IN WHOLE OR A PORTIONS TO BE MADE WITHOUT THE PRIOR CONSENT OF A.S.P.C.

General comment
See comment on 44C - 40001A & 44C - 80001A



GENERAL NOTES
1- -

LEGEND
I - 8001 PELLETT HANDLING (VENDOR)

DETAIL

02	08/Apr/25	ISSUE FOR APPROVAL	SC	KP	JJ
01	27/Feb/25	ISSUE FOR APPROVAL	SC	KP	JJ
00	11/Feb/25	ISSUE FOR APPROVAL	SC	KP	JJ
REV.	DATE	PURPOSE OF ISSUE (P.O.I.)	PREP.	CHKD.	APPR.



PROJECT:
300 KT POLYETHYLENE PLANT
ARYA SASOL POLYMER COMPANY (ASPC)

MC:
ISEDCO
شرکت عمران و سازه های صنعتی

CONTRACTOR:
SAZEH CONSULTANTS
SAZEH PARS
VENDOR:
DYPNF

DRAWING TITLE:
PIPING & INSTRUMENTATION DIAGRAM
PNEUMATIC CONVEYING SYSTEM 44C-80005C

OWNER DOC. NO.						
OWNER PROJECT NO.	VENDOR DWG.	MR NO.	VENDOR CODE	DISCIPLINE	UNIT	TYPE SEQ.
3944	VD	0180	DYP	RE	800	PID 0016
SCALE:	NONE	SIZE:	A0	SHEET NO.	14 OF 14	REV. 02

ITEM	44C-80005C	44M-80005C		
DESCRIPTION	Blower	Main Motor		
TECHNICAL DATA	Outlet Capacity: 4226 Nm ³ /h Inlet/Outlet Pressure: 1.013/2.423 Bara Inlet/Outlet Temp: 48/164 °C Gas: Ar Guaranteed capacity: 4095 Nm ³ /hr	Rated Power: 250 kW Speed: 2980 rpm Power Supply: 6kV / 50Hz / 3ph		

THIS DOCUMENT WITH ALL ITS RIGHTS IS THE PROPERTY OF A.S.P.C. AND MUST BE HELD IN CONFIDENCE. NO DISCLOSURE, REPRODUCTION OR OTHER USE OF THE DOCUMENT IN WHOLE OR A PORTION IS TO BE MADE WITHOUT THE PRIOR CONSENT OF A.S.P.C.