



# ASPC Project



<b>END CUSTOMER</b>	: Arya Sasol Polymer Company
<b>CONTRACTOR</b>	: DYPNF Co., Ltd.
<b>VENDOR NAME</b>	: Airpack Netherlands BV
<b>EQUIPMENT DESCRIPTION</b>	: Screw Compressor & Roots Blower
<b>PURCHASE ORDER NUMBER</b>	: PO-PC2312-08

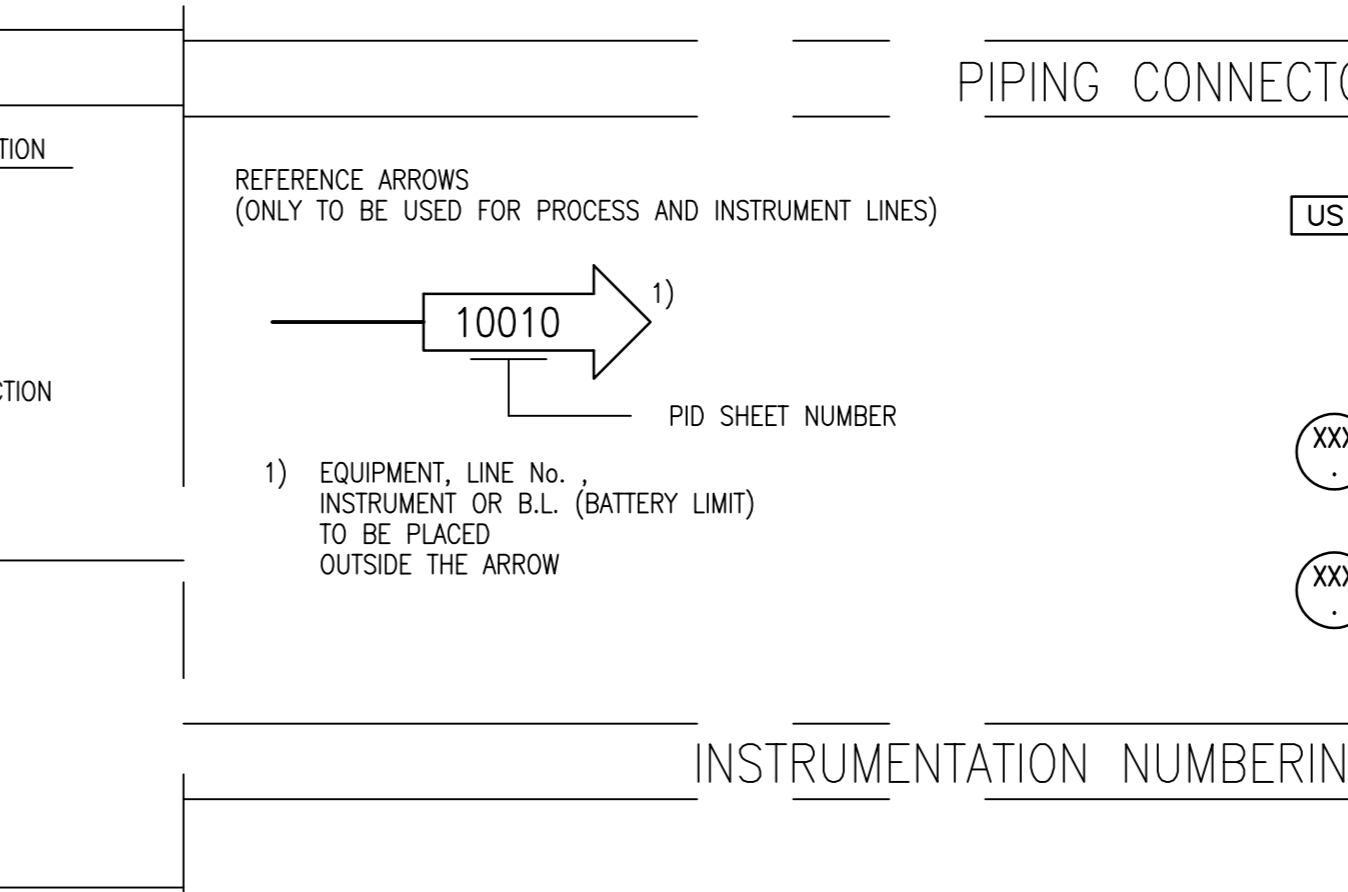
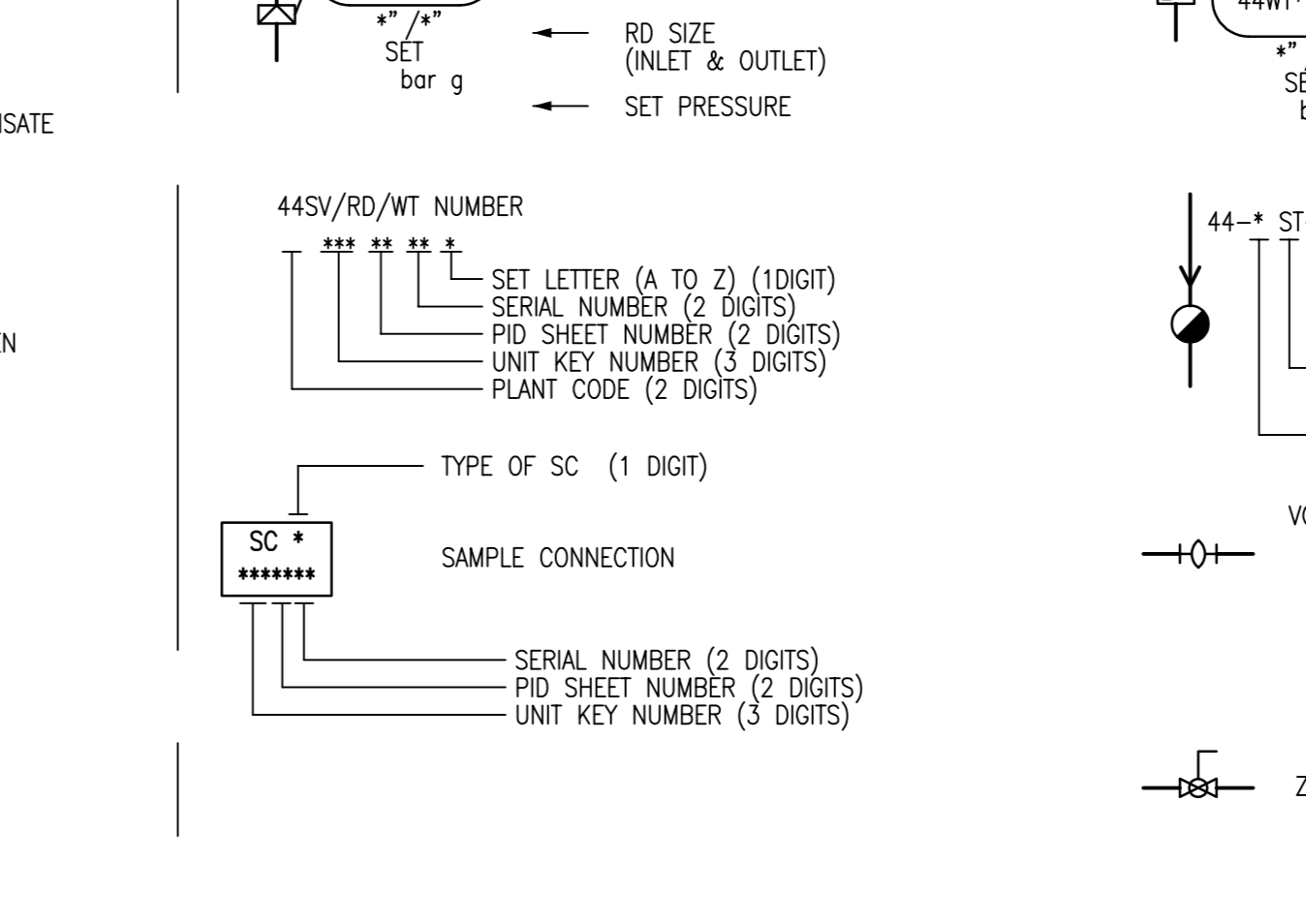
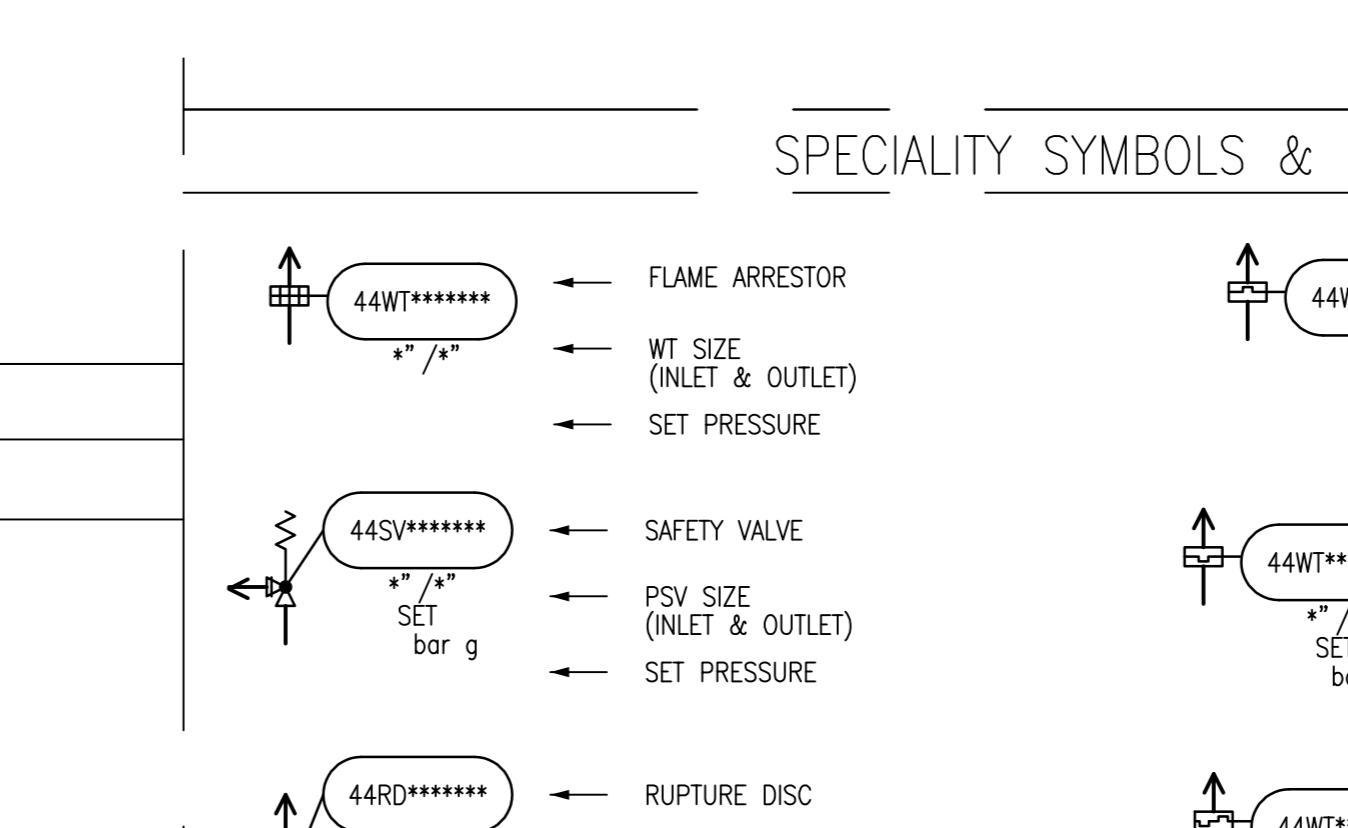
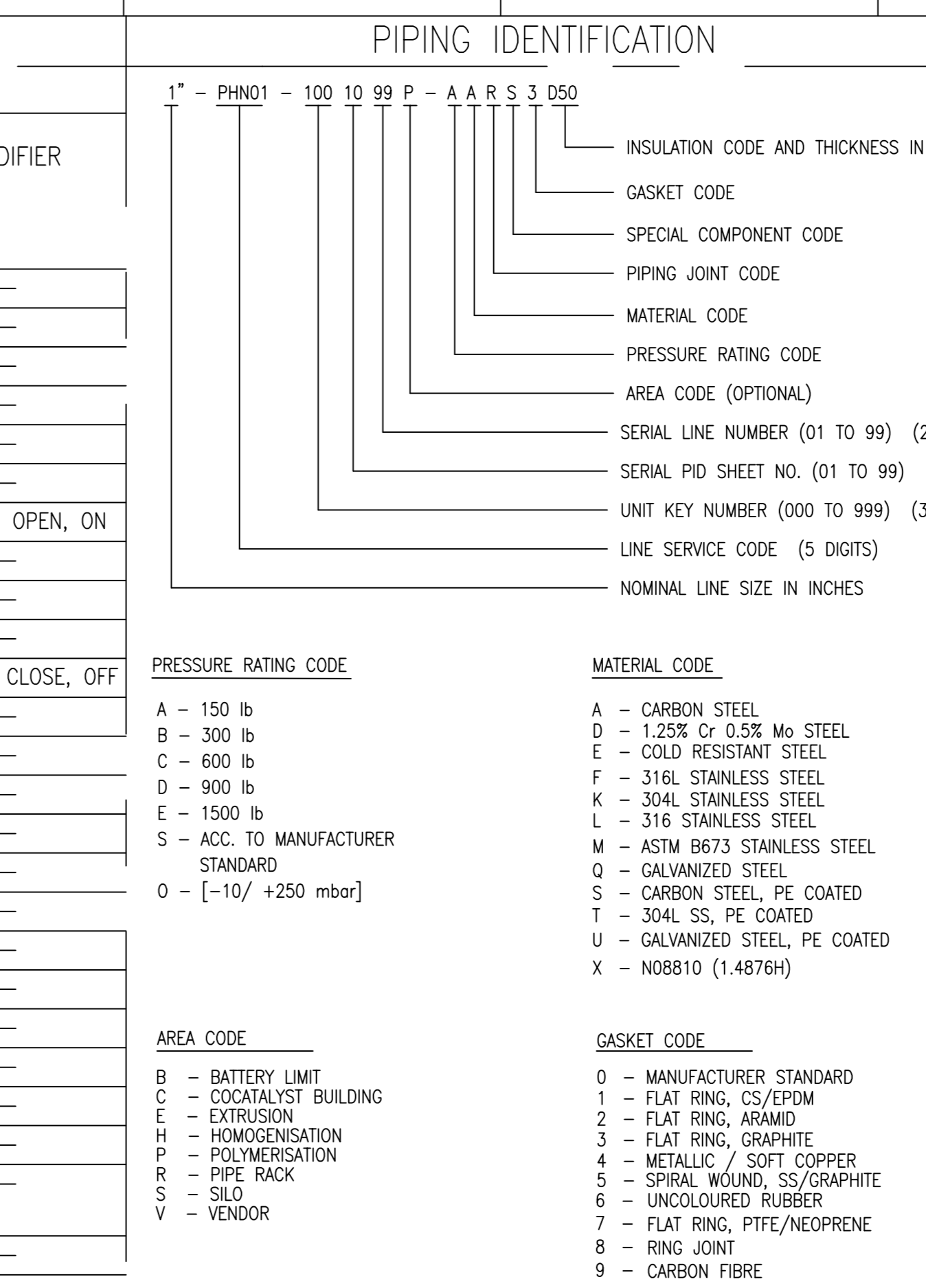
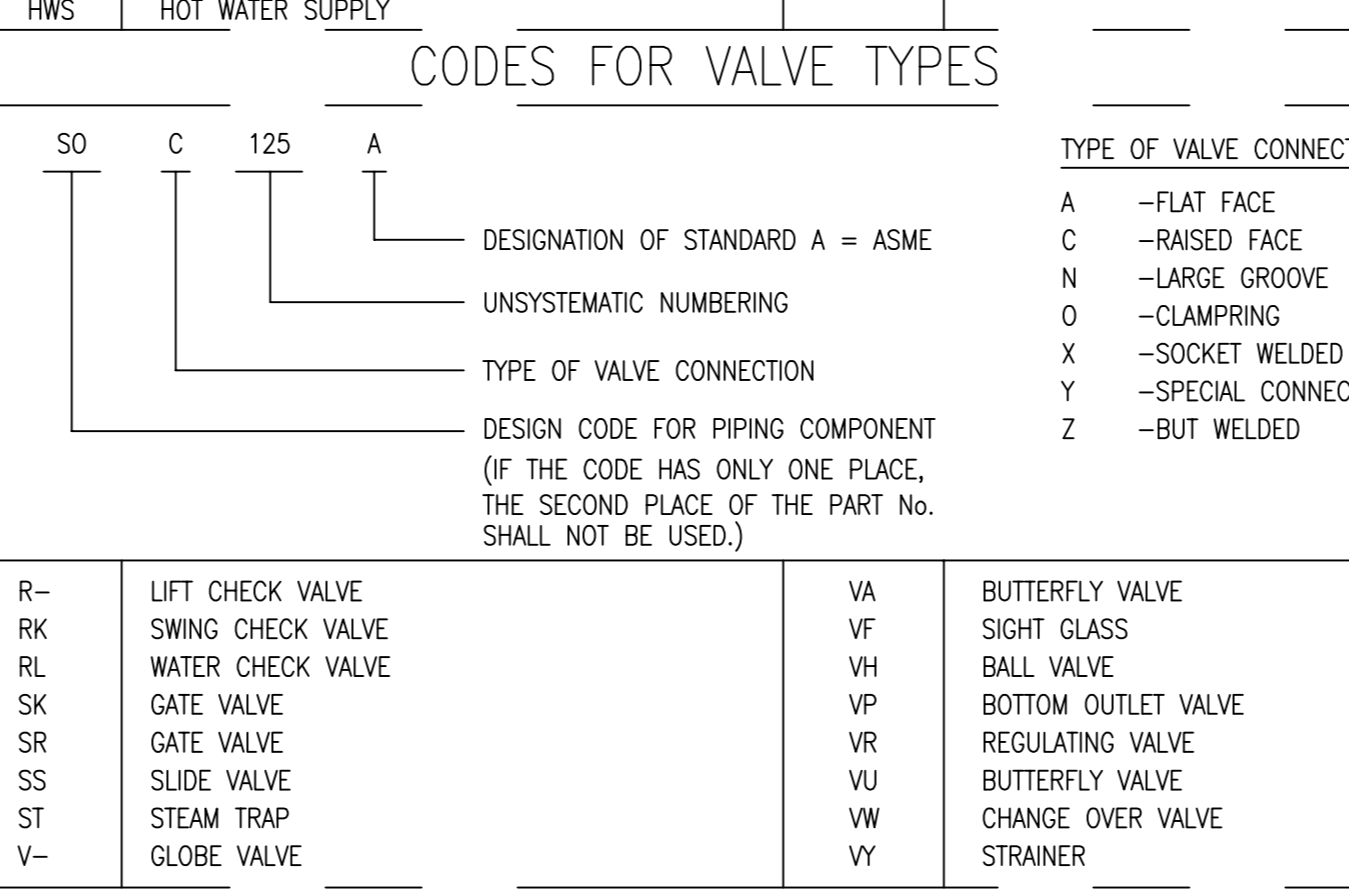
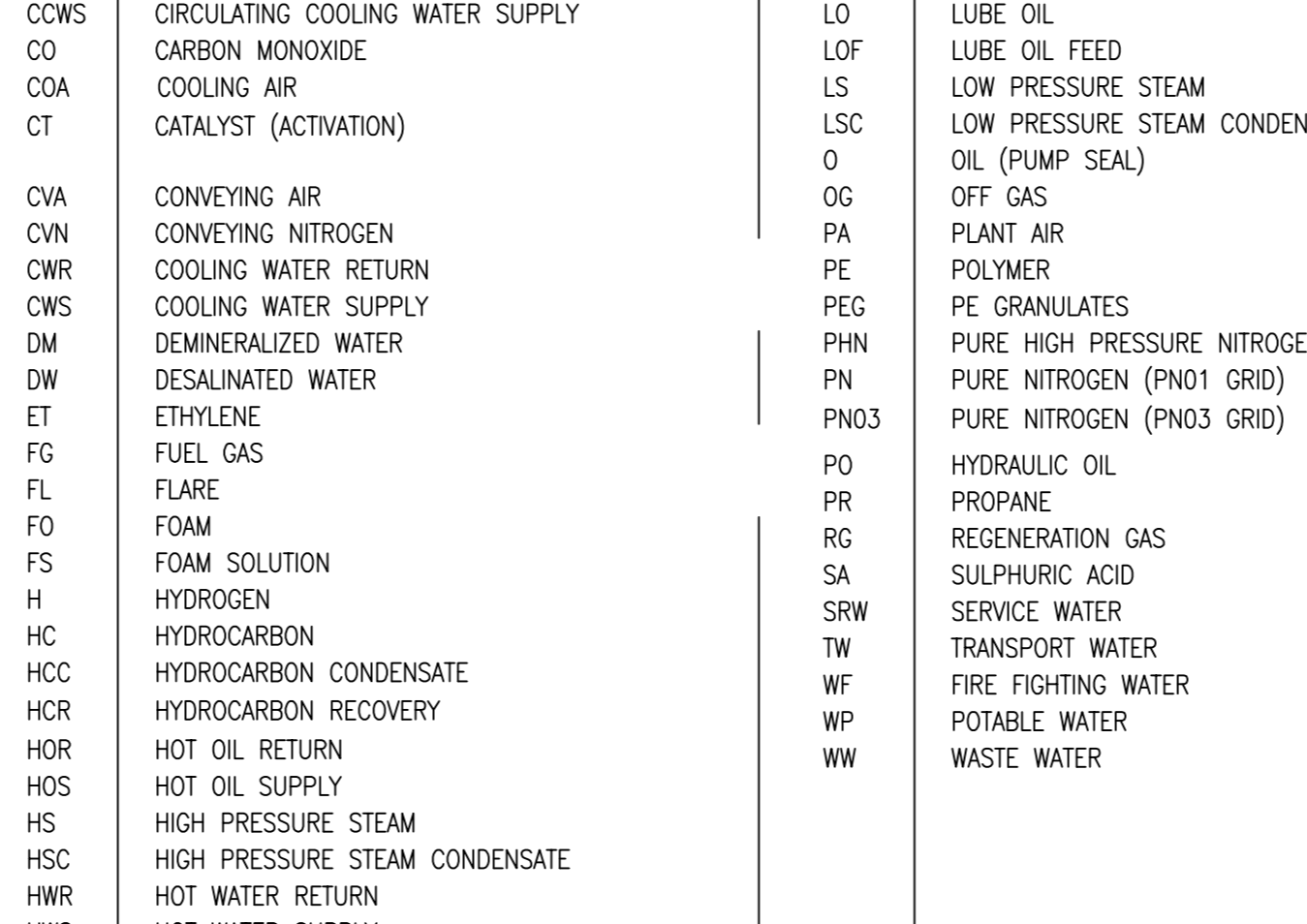
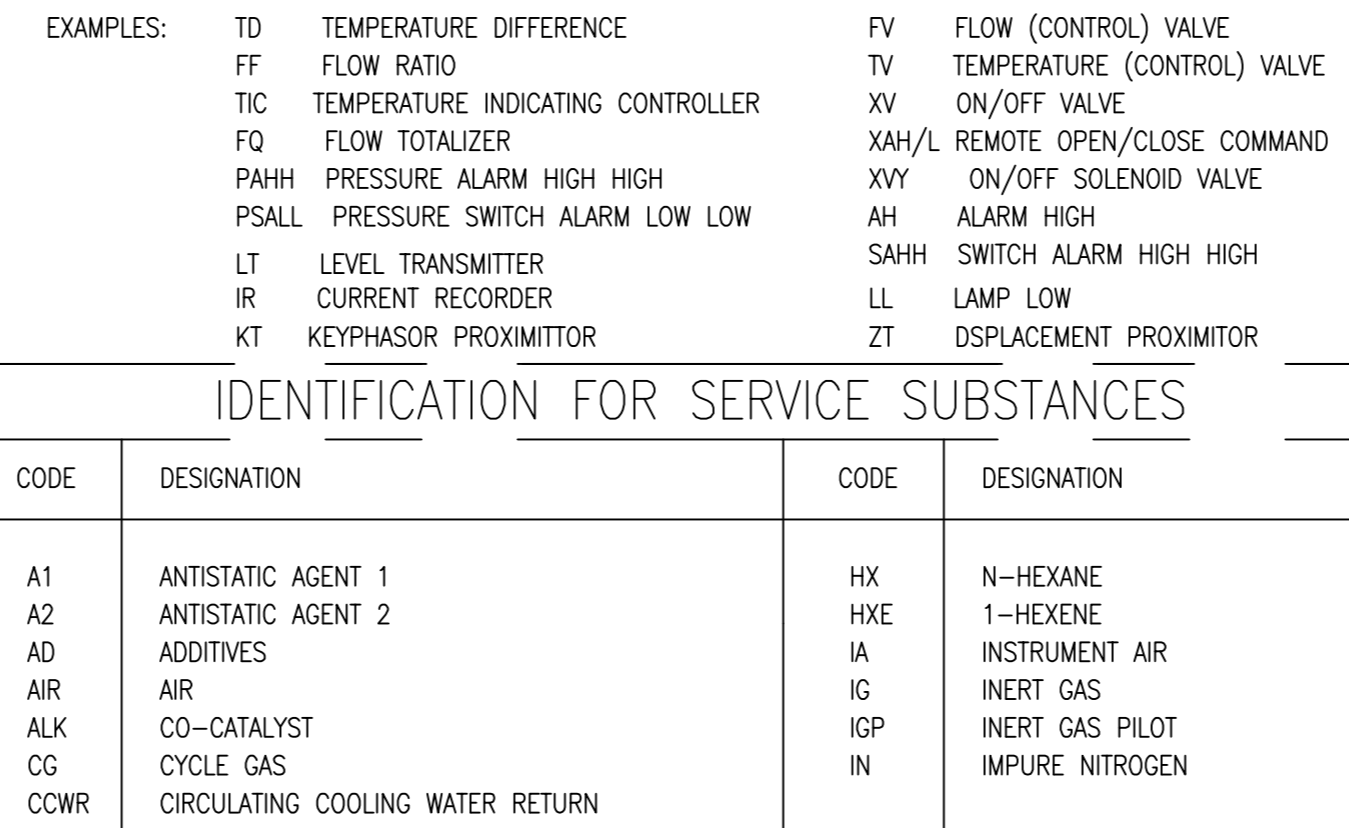
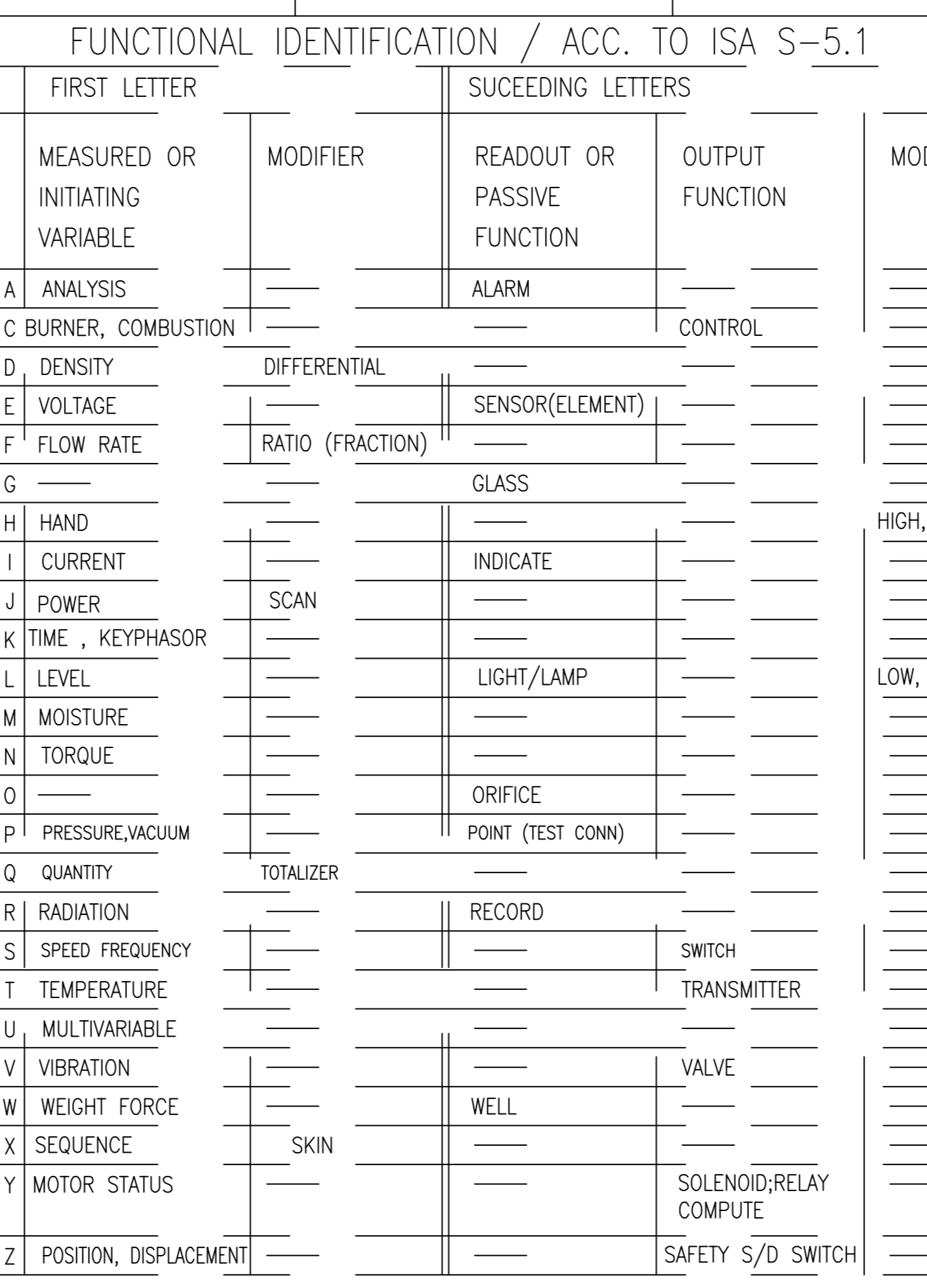
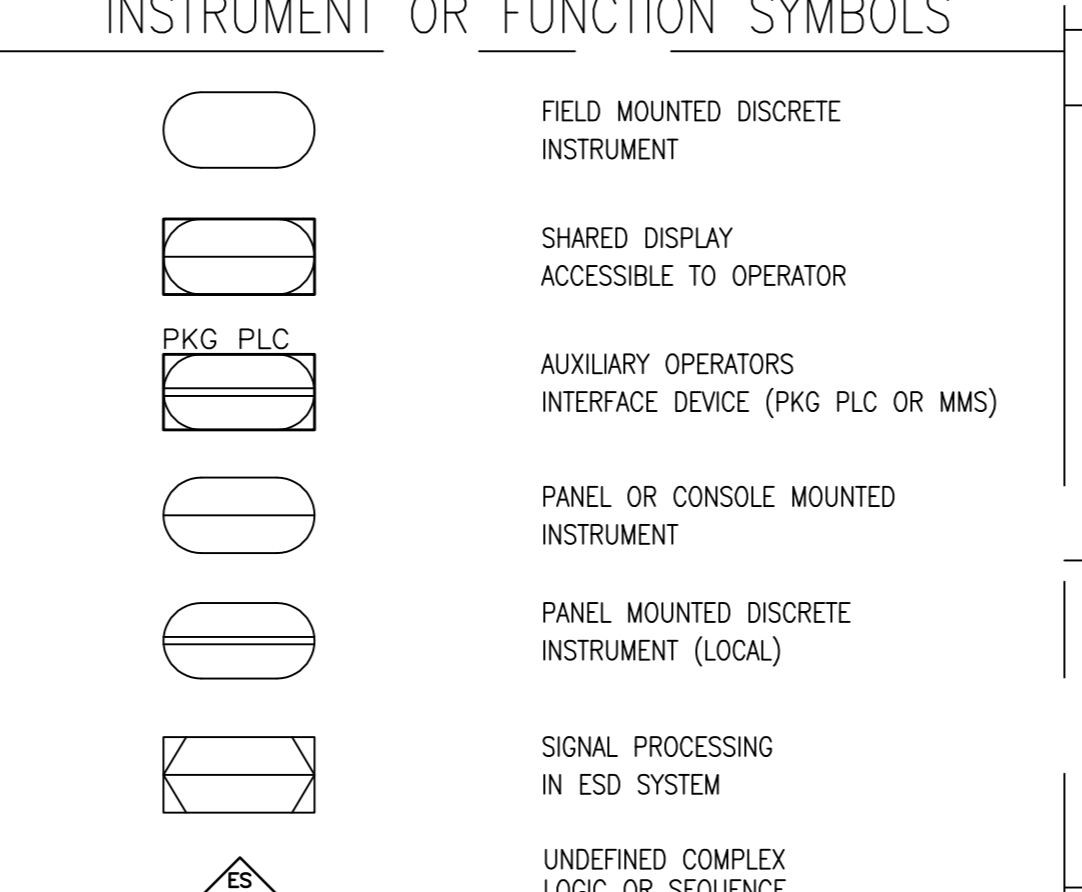
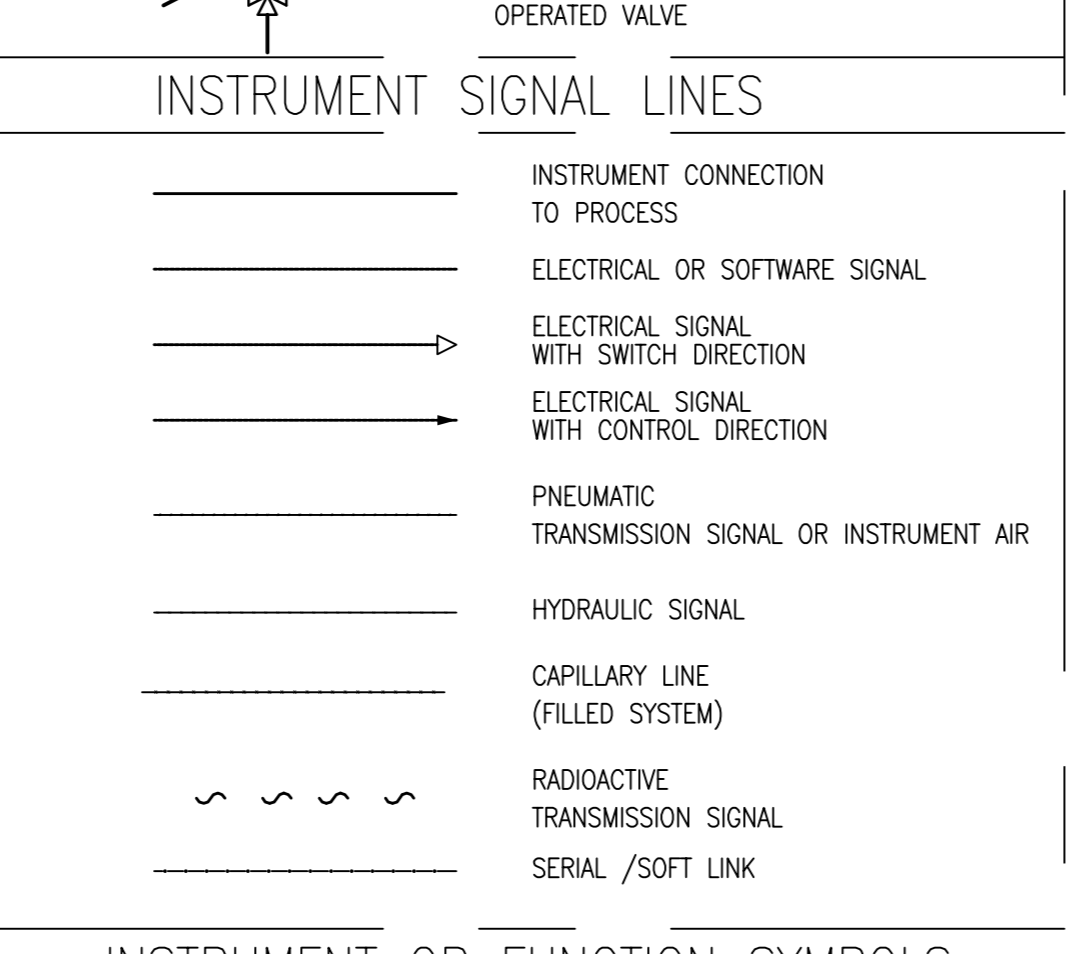
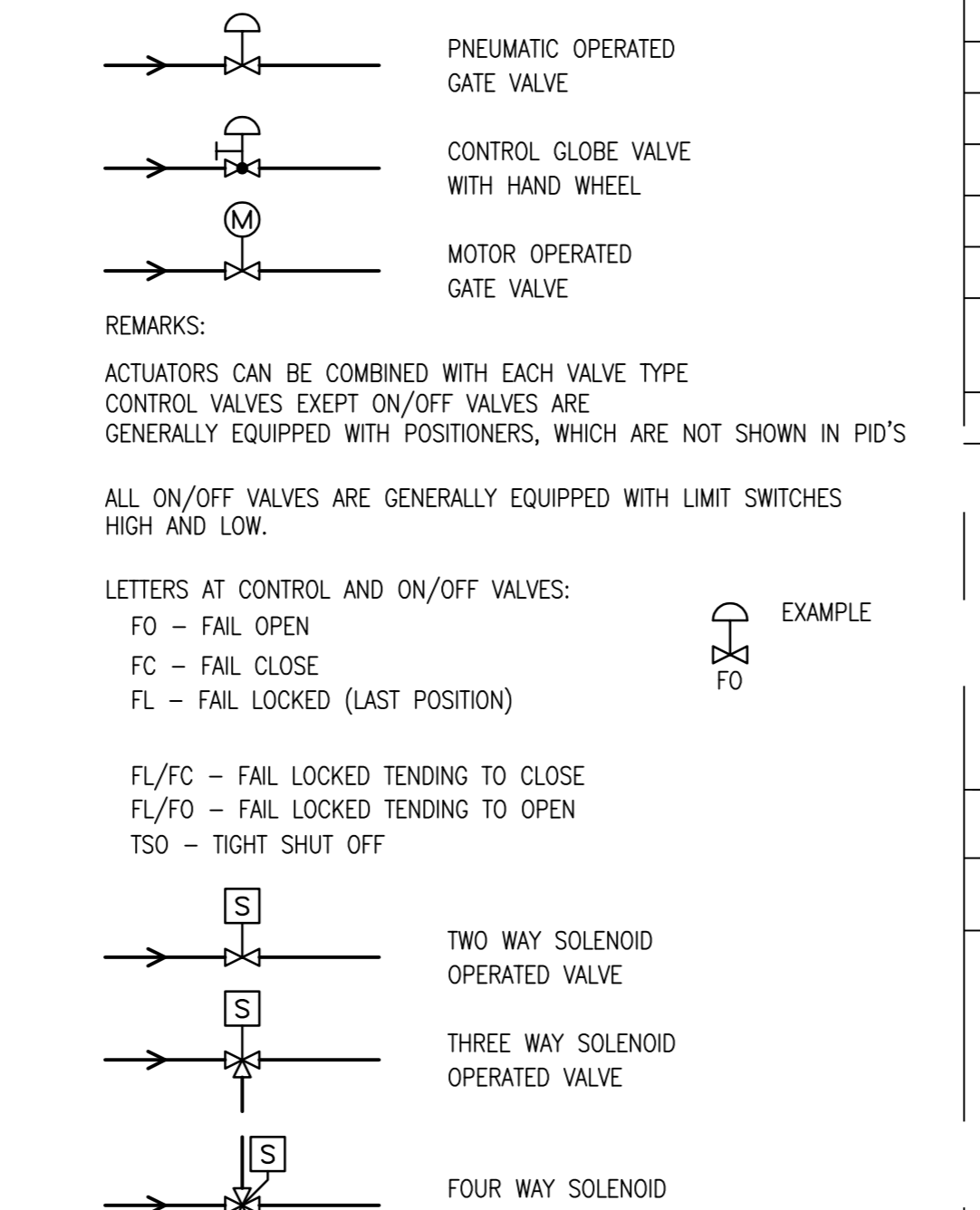
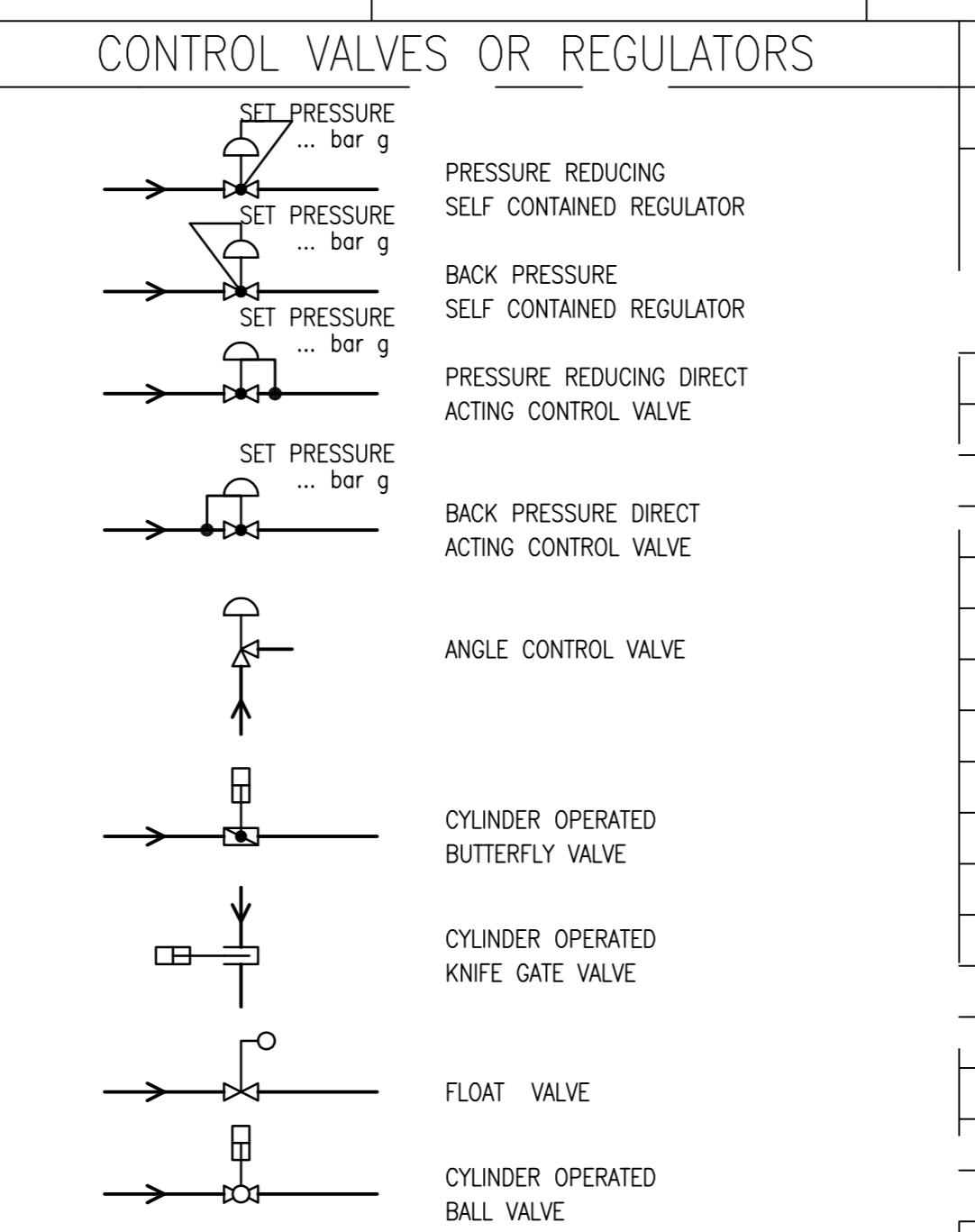
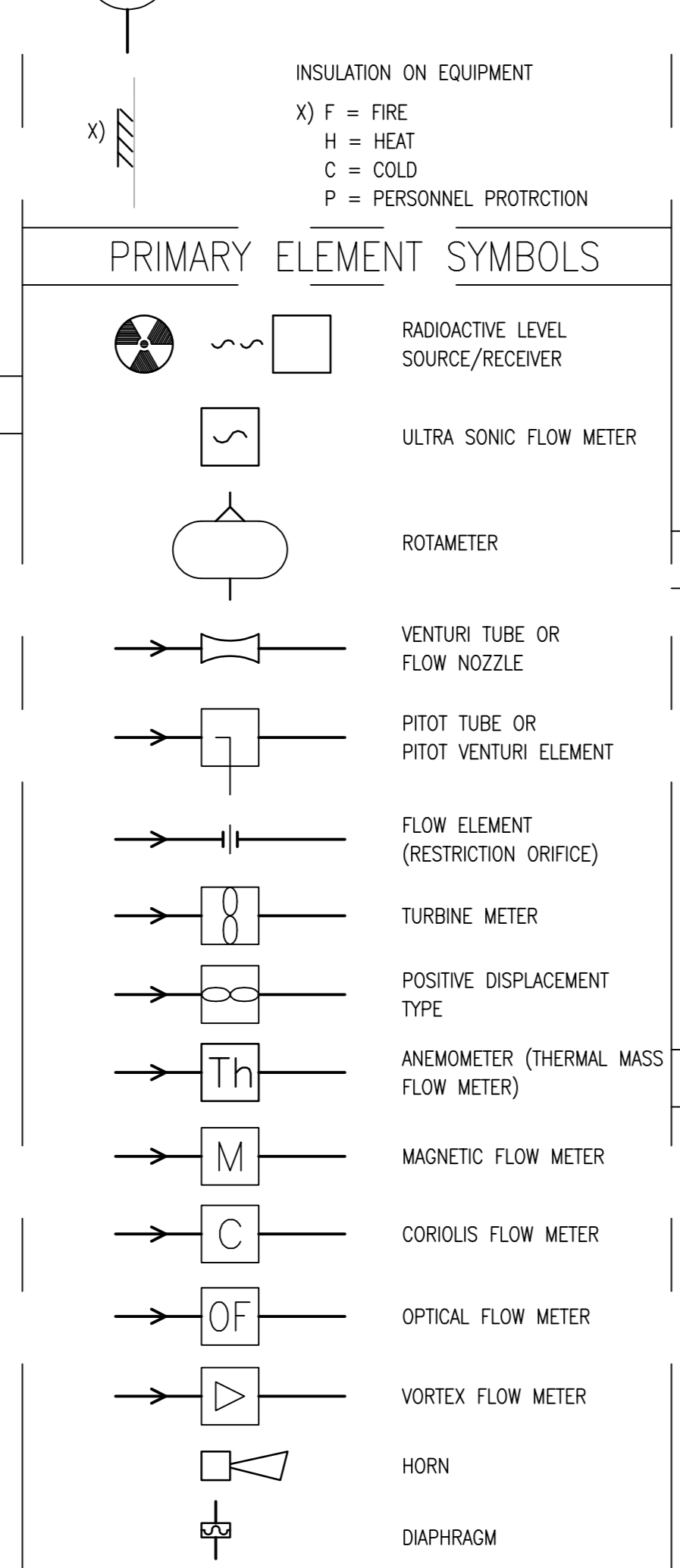
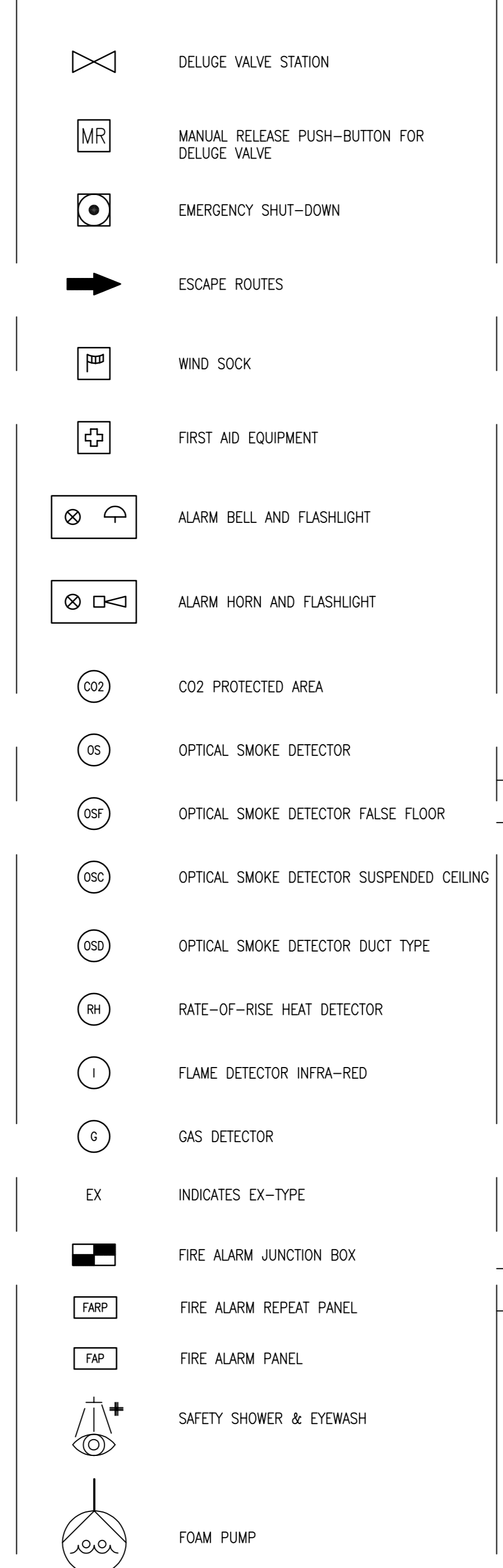
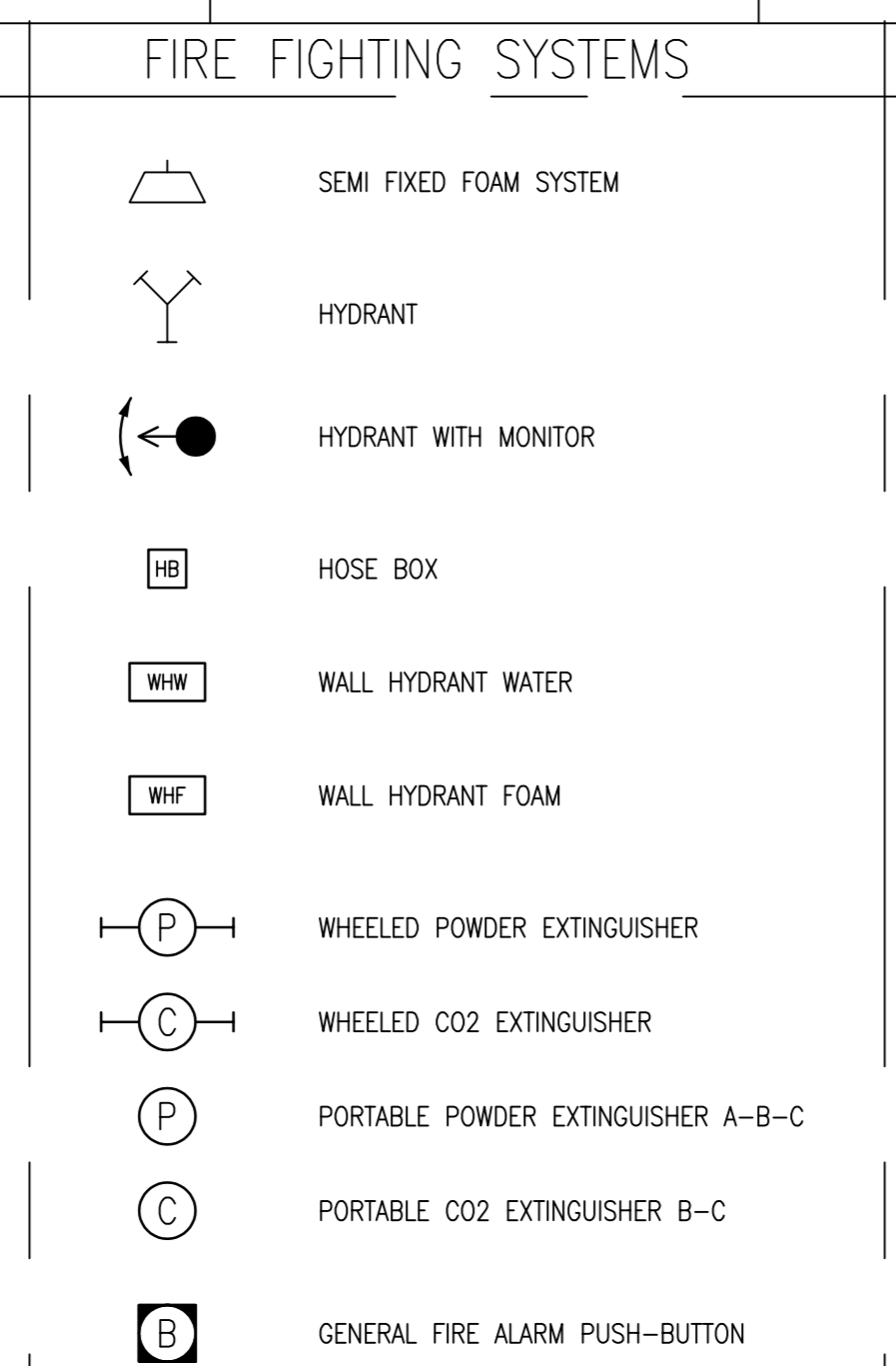
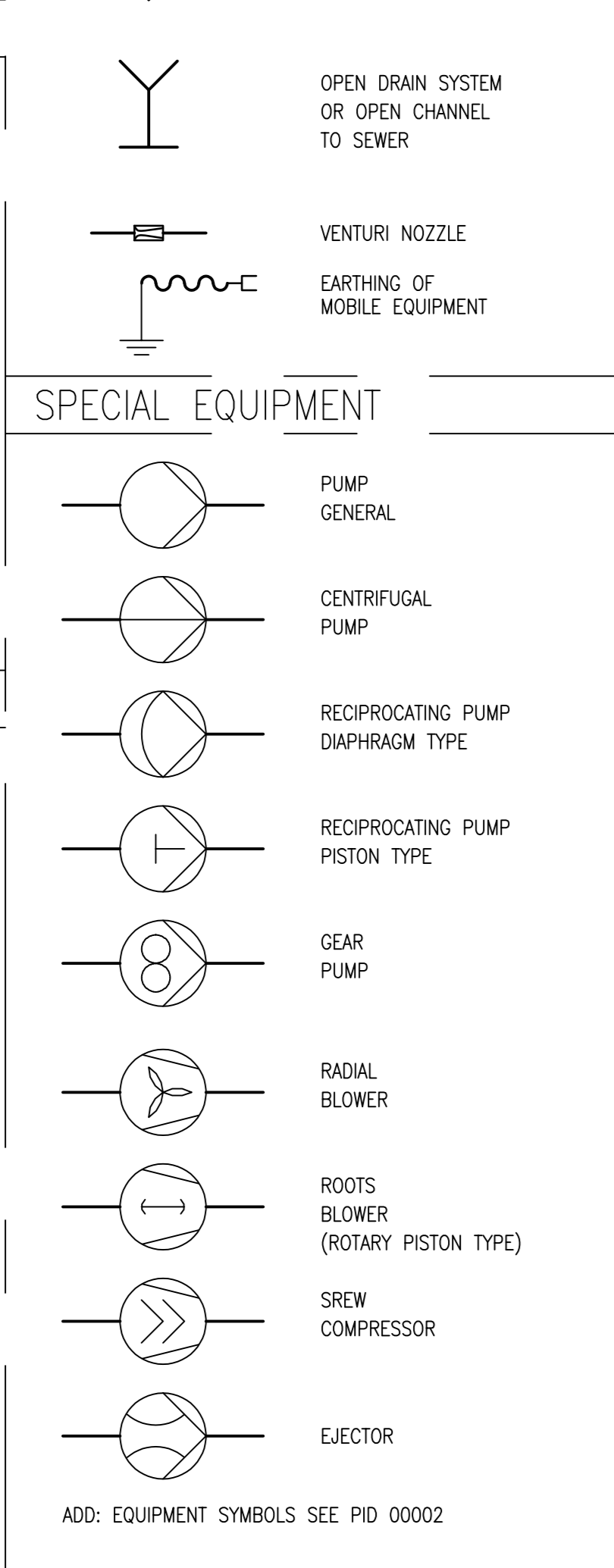
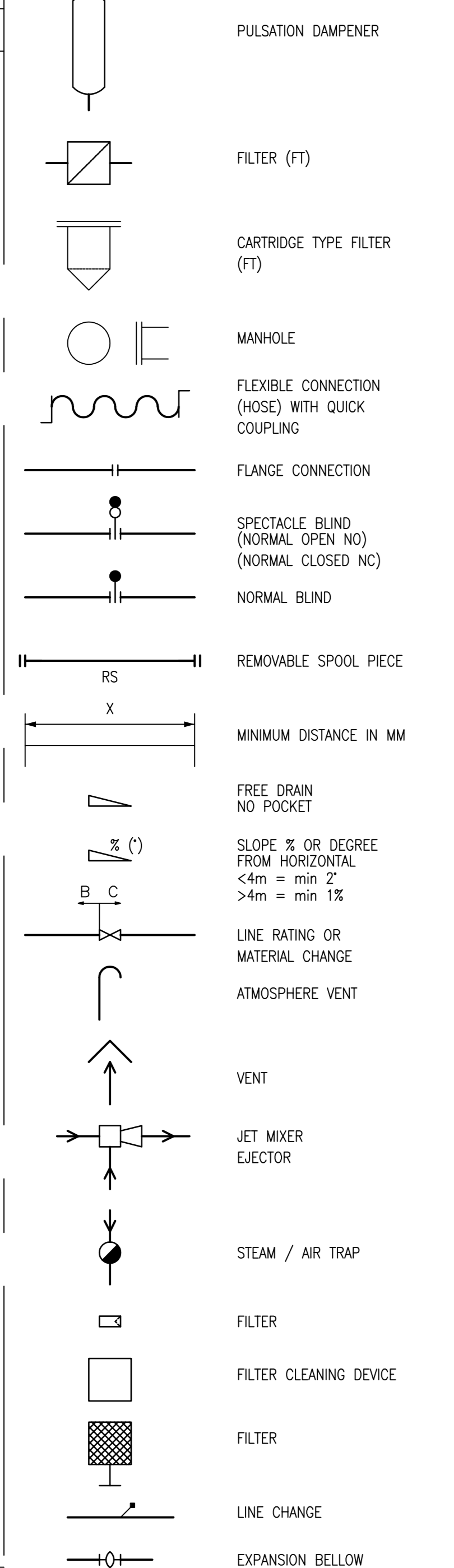
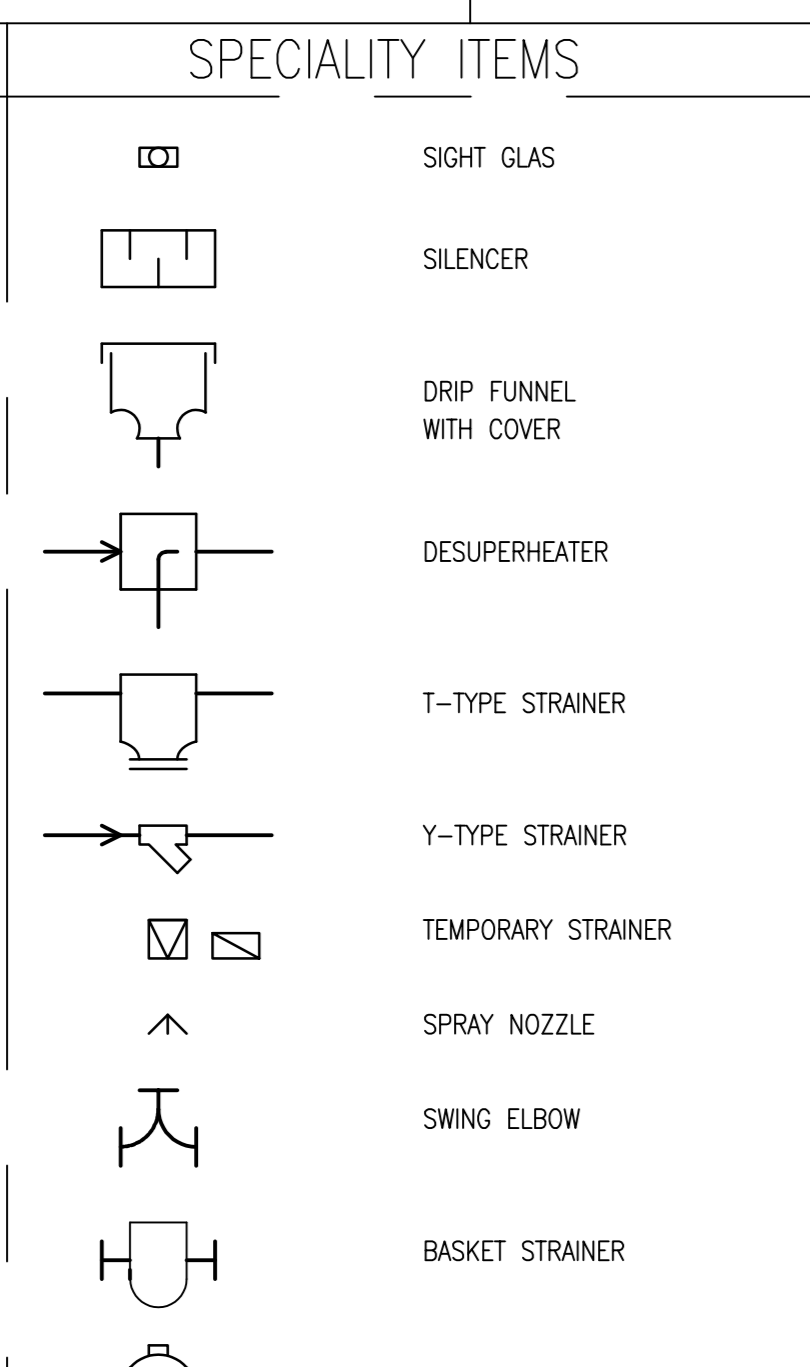
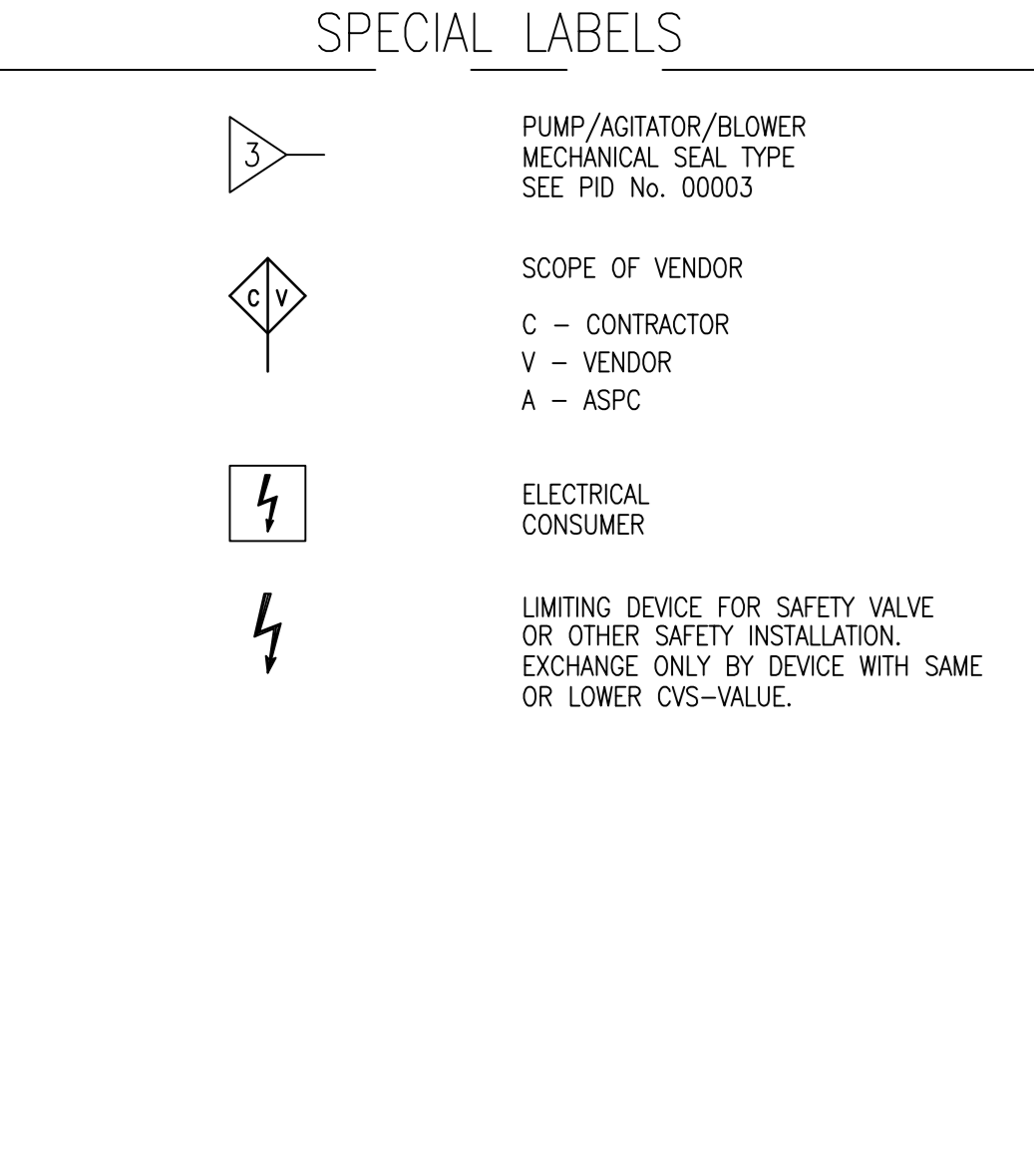
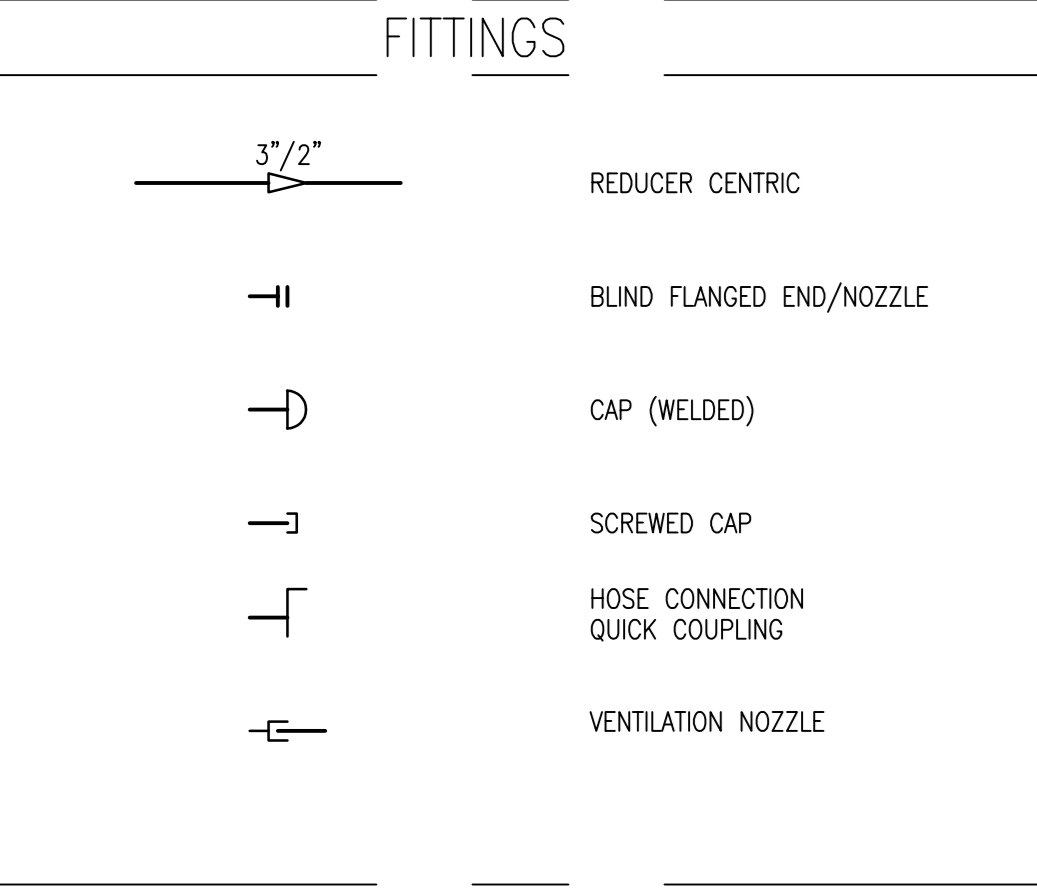
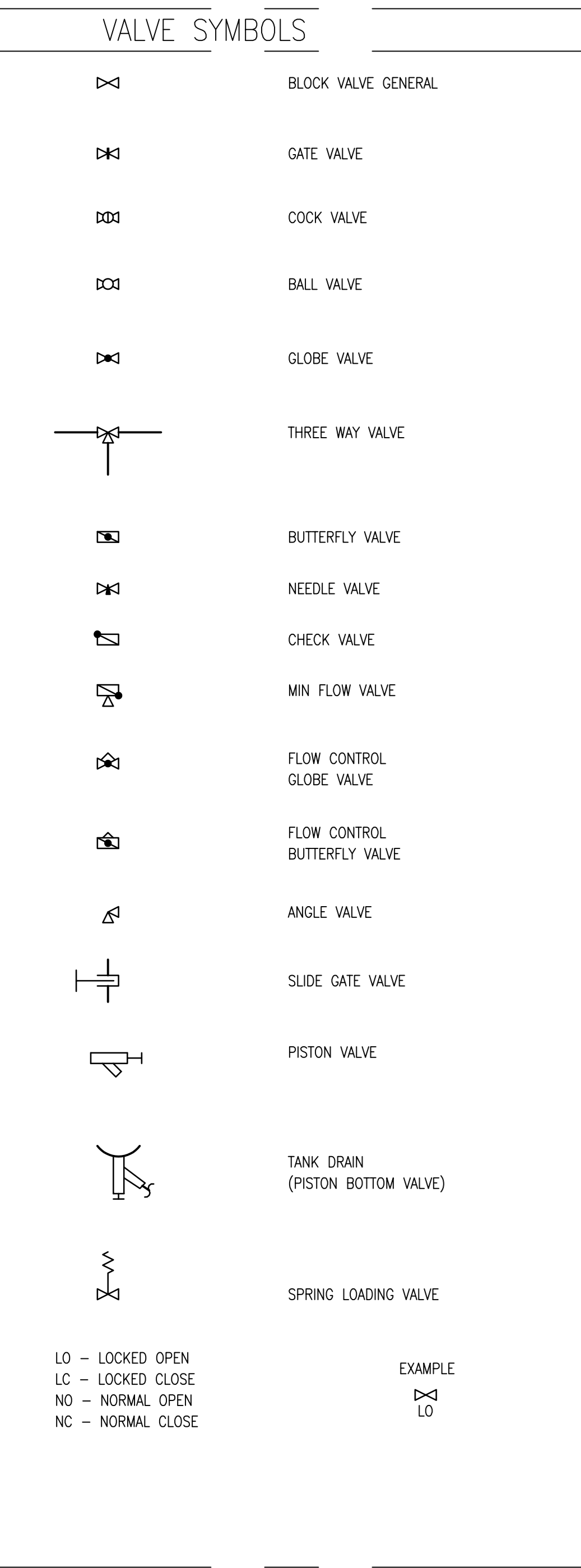
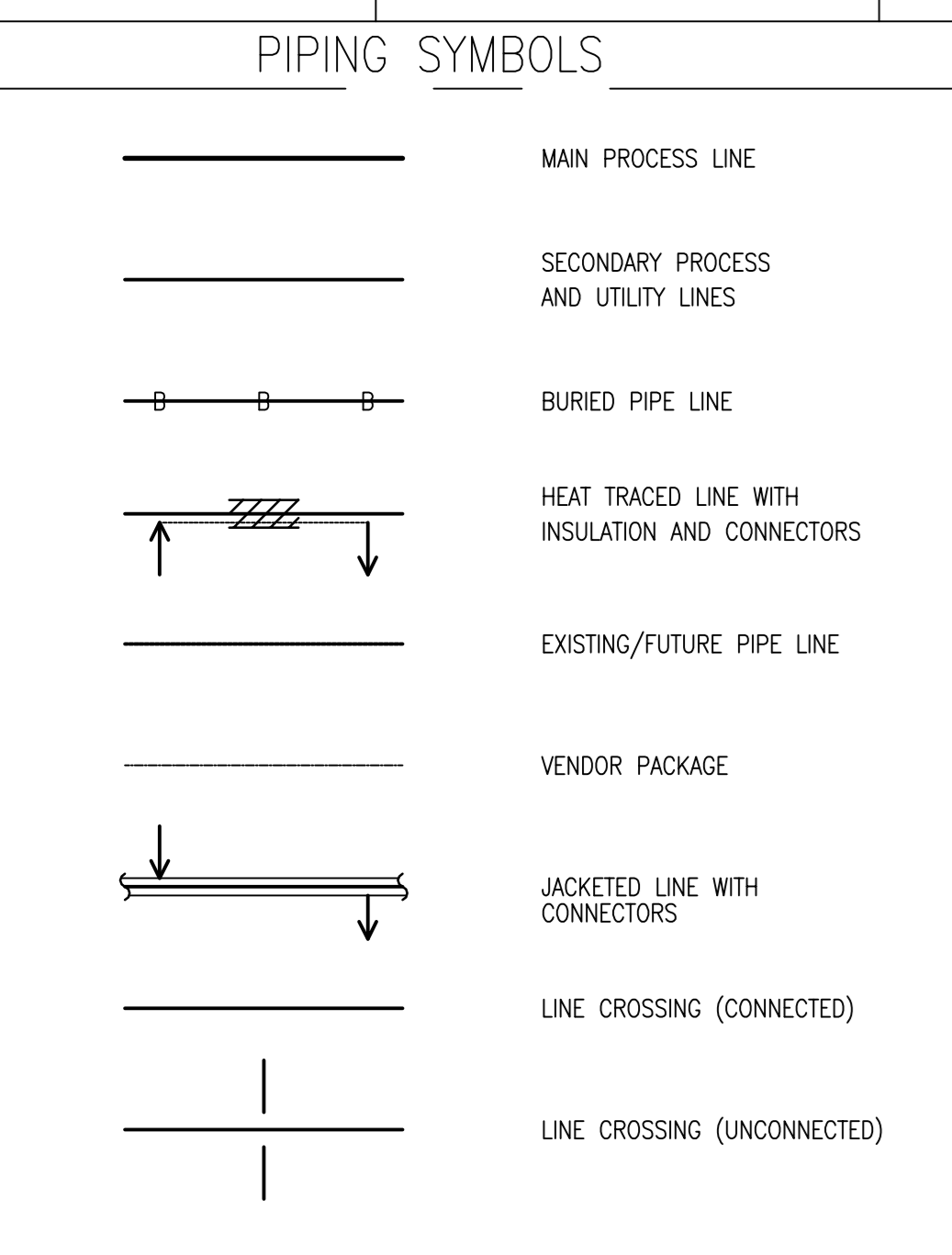
Customer Number            Document : to be advised

Airpack Document Number : 23383-03

Document Title : Piping & Instrument Diagram (incl. legend)

Review Code and Status		Contractor Initials/Signature	Date signed
<input type="checkbox"/>	<b>Code 1</b> <b>REJECTED</b> - Vendor to revise and Resubmit. Work cannot proceed	<input type="text"/>	<input type="text"/>
<input type="checkbox"/>	<b>Code 2</b> Comments As Noted - Work May proceed, subject to compliance with and incorporation of comments	<input type="text"/>	<input type="text"/>
<input type="checkbox"/>	<b>Code 3</b> No Comments - Work may proceed.	<input type="text"/>	<input type="text"/>
<input type="checkbox"/>	<b>Code 4</b> Information only - Review not required.	<input type="text"/>	<input type="text"/>

00	Issued for Approval	11-02-2025	SC	KP	JJ
Rev. No.	Description	Date	Prepared by	Checked by	Approved by



ARYA SASOL POLYMER COMPANY

300 KT POLYETHYLENE PLANT  
ARYA SASOL POLYMER COMPANY (ASPC)

ISBDCO

DYPNF

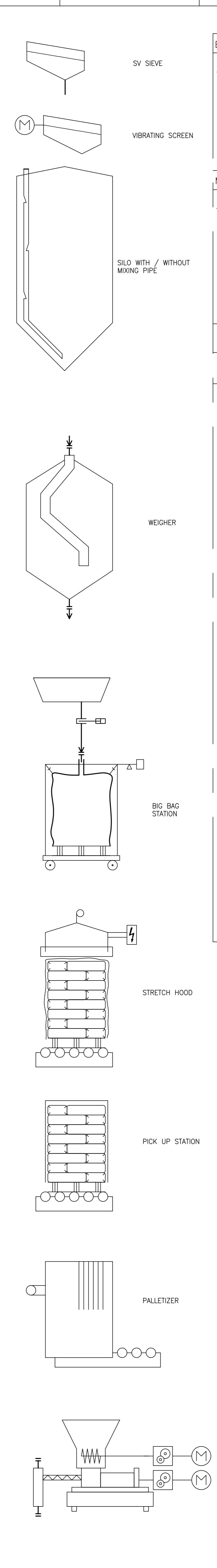
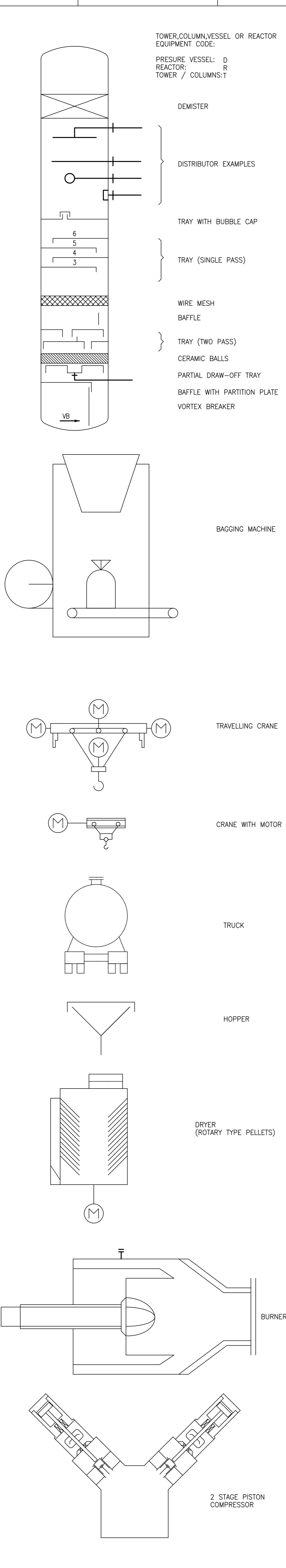
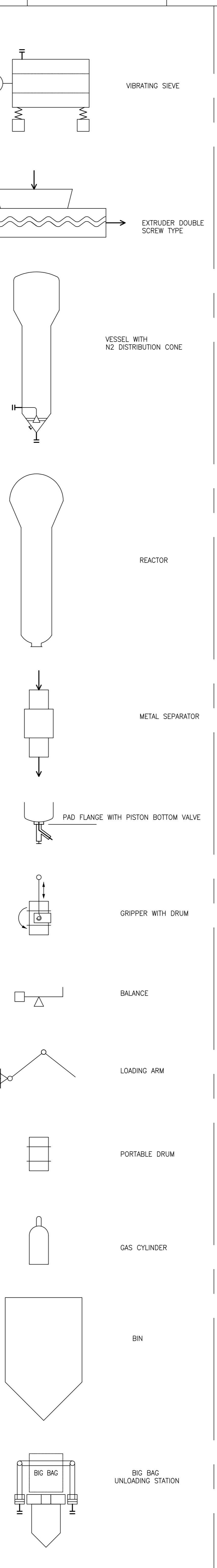
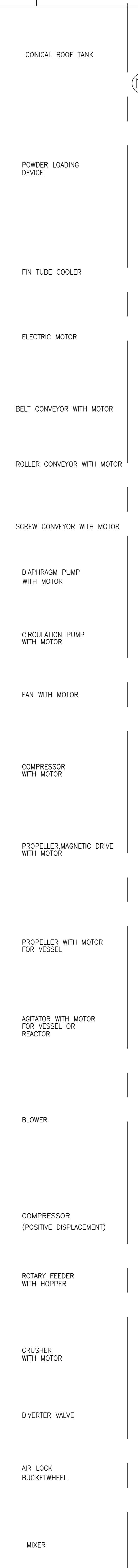
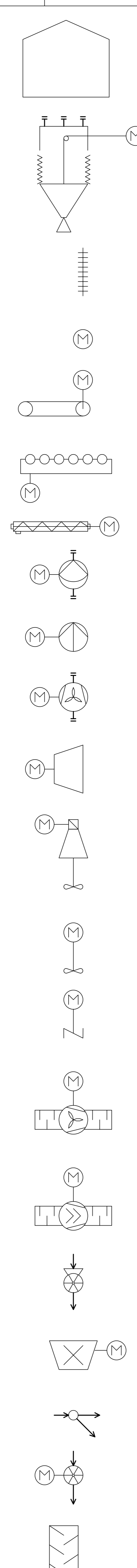
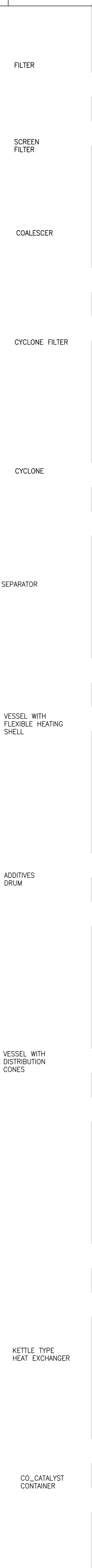
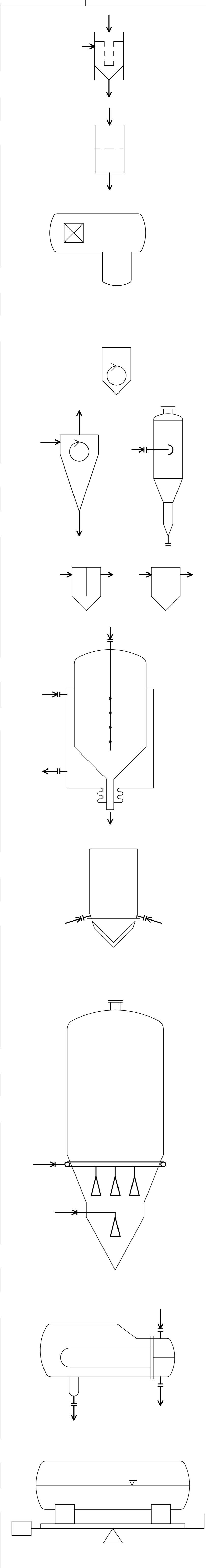
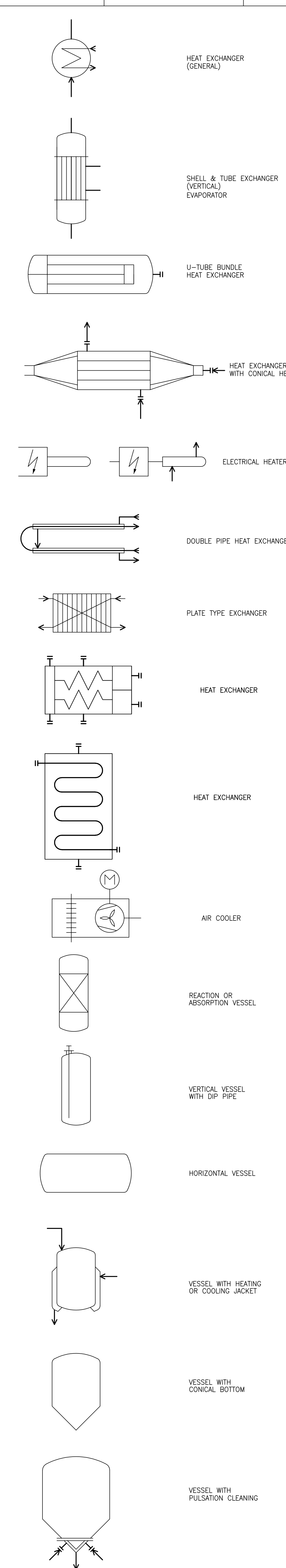
PIPING & INSTRUMENTATION DIAGRAM 00001  
LEGEND AND SYMBOLS 1  
SYMBOLS, GENERAL NOTES AND CODE SYSTEM FOR PID / PFD

OWNER DOC. NO.

OWNER PROJECT NO. VENDOR DWG. MR NO. VENDOR CODE DISCIPLINE UNIT TYPE SEQ.

3944 VD 0171 DYP RE 000 PID 0017

SCALE: NONE SIZE: A0 SHEET NO. 1 OF 11 REV. 00



**EQUIPMENT NUMBERING SYSTEM CONTRACTOR**  
 44 P-200 01A/B

**MOTOR NUMBERING SYSTEM CONTRACTOR**  
 44P-20001AM1

**CONTRACTOR EQUIPMENT CODES**

EQUIPMENT CODE	EQUIPMENT ITEMS
A	AGITATOR, STIRRER, MIXER
AS	ANTISTATIC AGENT DOSING UNIT
B	BIN, BURNER
BB	BAG BREAKER
BC	BELT CONVEYOR
BO	BOTTLE
C	COMPRESSOR, BLOWER, FAN
D	SILLO
DI	DIE HEAD
E	HEAT EXCHANGER, AIR COOLER
EX	EXTRUDER
F	FILTER, CYCLONE
G	GEAR
H	HEATER
HO	HOIST
HG	HOT GAS GENERATOR UNIT
I	
J	
K	
L	DIVERTER VALVE
LS	TELESCOPIC LOADING DEVICE
M	ELECTRIC MOTOR, TURBINE
MD	METAL DETECTOR
MS	MATAL SEPARATOR
N	
O	PUMP
PN	CONVEYOR
PZ	PELLETIZER
Q	
R	REACTOR
RC	ROLLER CONVEYOR
RF	REFRIGERATION UNIT
S	STRAINER, SEPARATOR
SC	POWDER MIXER
T	COLUMN, MOLECULAR SIEVE
TK	STORAGE TANK
U	
US	UNLOADING STATION, UTILITY STATION
V	VESSEL, DRUM, HOPPER
W	PACKAGE UNIT
WS	SCALE, LOADING DEVICE
X	SPECIAL EQUIPMENT
Y	CATCH POT
Z	CONVEYING STATION, ROTARY VALVE

**GENERAL NOTES**

REFERENCE DRAWINGS: XXXX

DWG.No.: XXXX

**LEGEND**

RESULT CODE:  AP  AN  CO  RE

RESUBMISSION DATE:

NEXT STATUS:  IFI  IFA  AFC  ASB/FIN

Approval or review hereunder shall not be construed to relieve Vendor/ Subcontractor of his responsibilities and liability under the Contract.

P.O. NO.:

M.R. NO.:

ITEM NO. (EQUIPMENT NO.):

VENDRO JOB NO.:

00	14/Mar/24	ISSUE FOR APPROVAL	SYL	MJP	MHY
REV.	DATE	PURPOSE OF ISSUE (P.O.I.)	PREP.	CHKD.	APPR.

OWNER:

**ARYA SASOL POLYMER COMPANY (ASPC)**

PROJECT: 300 KT POLYETHYLENE PLANT ARYA SASOL POLYMER COMPANY (ASPC)

MC: **ISEDSCO** شرکت عمران و سازه های صنعتی

CONTRACTOR: **SAZEH CONSULTANTS** شرکت سازه مشاوران

VENDOR: **DYPNF** شرکت دین و سازه های صنعتی

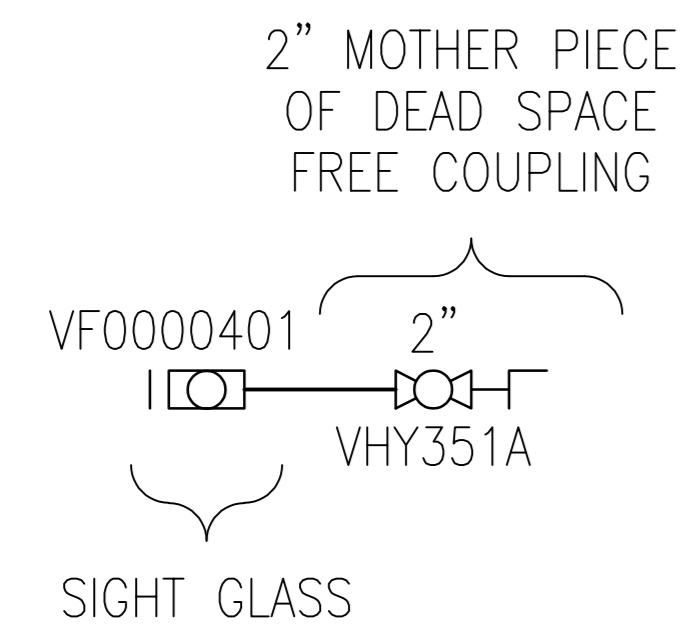
DRAWING TITLE: PIPING & INSTRUMENTATION DIAGRAM 00003 LEGEND AND SYMBOLS 2 EQUIPMENT SYMBOLS

OWNER DOC. NO.

OWNER PROJECT NO.	VENDOR DWG.	MR NO.	VENDOR CODE	DISCIPLINE	UNIT	TYPE	SEQ.
3944	VD	0171	DYP	RE	000	PID	0017

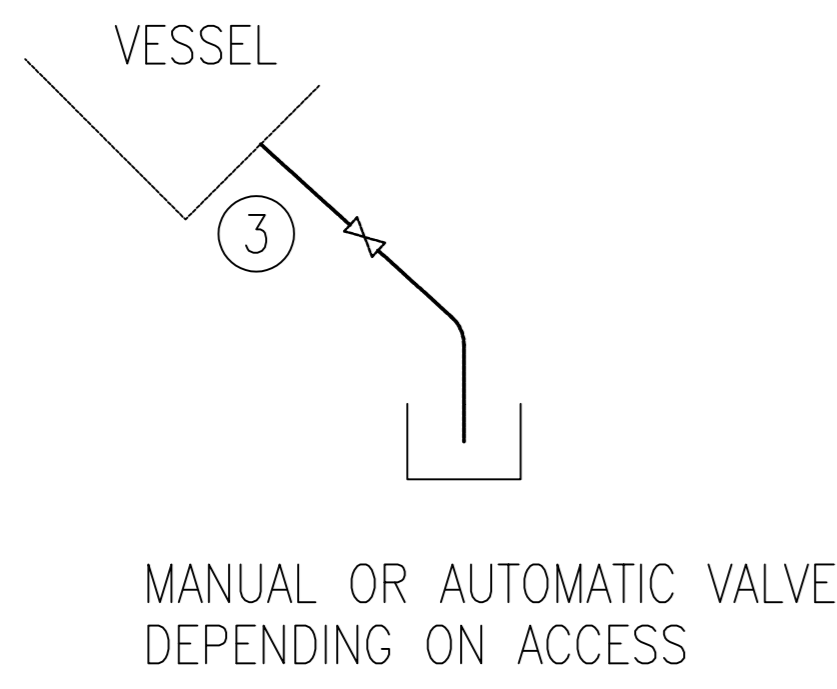
SCALE: NONE SIZE: A0 SHEET NO. 2 OF 11 REV. 00

No. 1  
SAMPLE CONNECTION  
FOR ACTIVATED CATALYST  
ACC. TO P&I 10020  
(NO MAT)



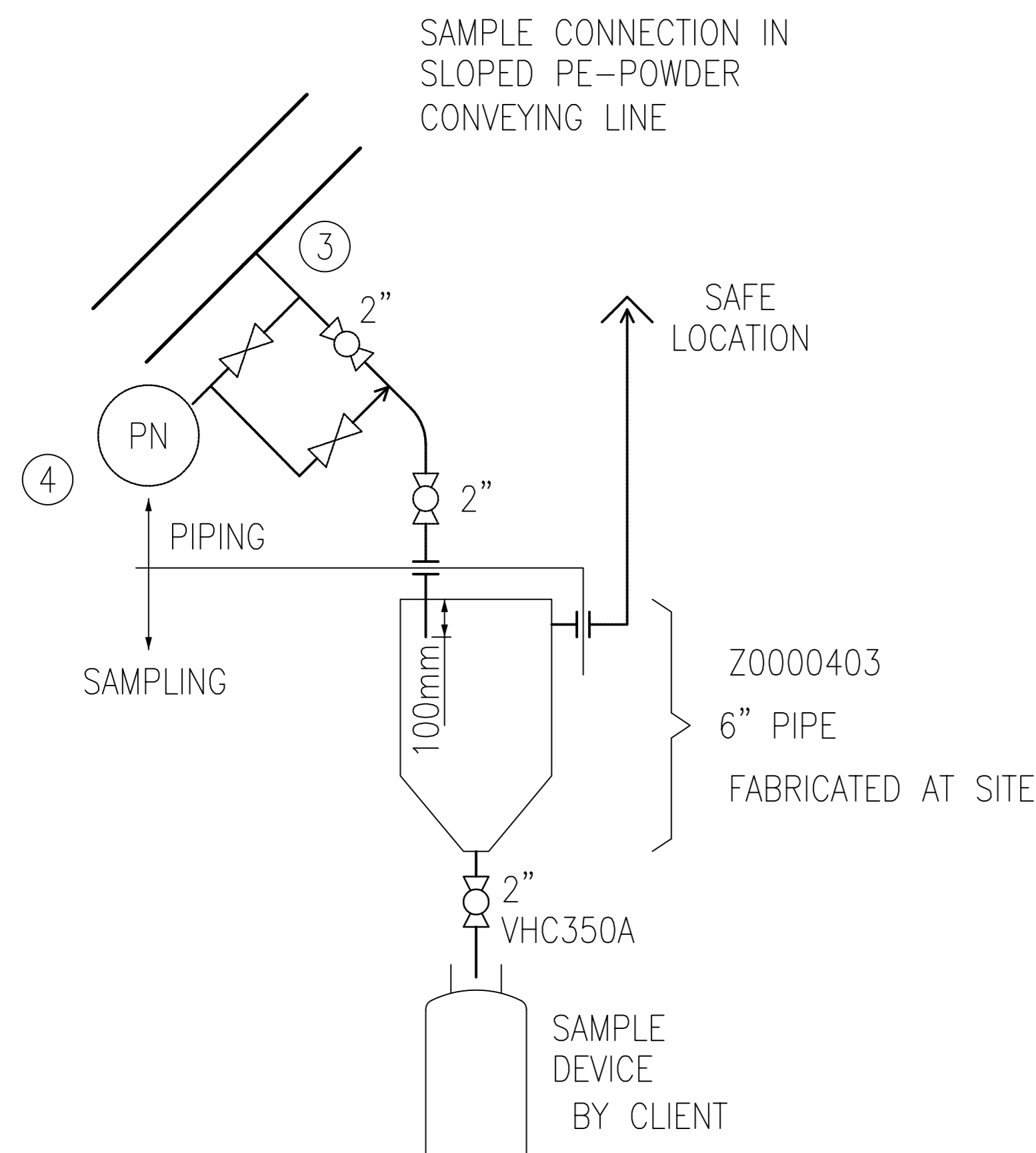
No.	SAMPLE No.	PID No.	LOCATION	MEDIUM	SAMPLE TYPE No.
1	SC1002001	10020	44B-10001B	CATALYST	No.: 1
2	SC1002002	10020	44B-10001A	CATALYST	No.: 1

No. 4  
SAMPLE CONNECTION FOR  
PE-GRANULATE MOUNTED  
TO A VESSEL



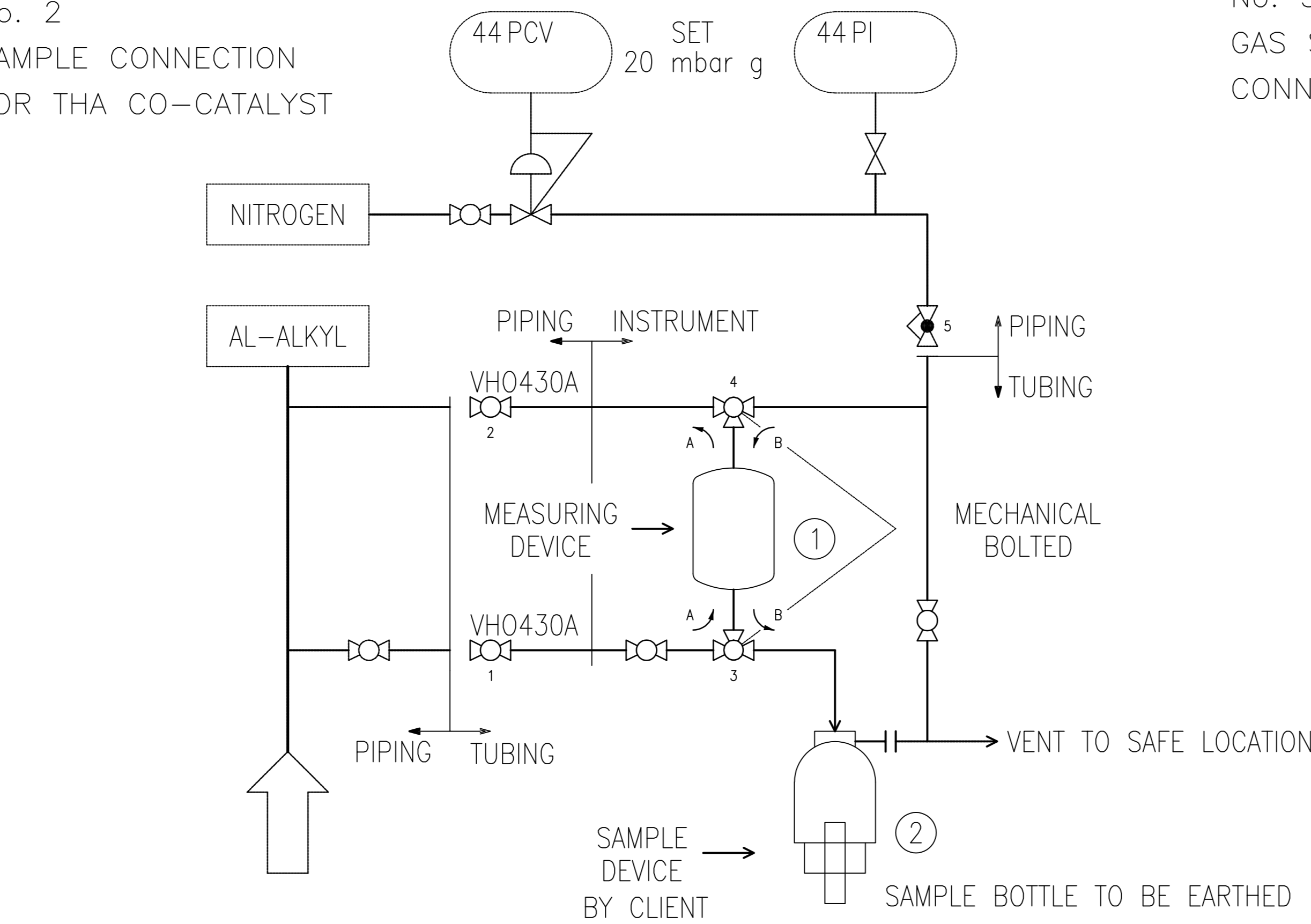
No.	SAMPLE No.	PID No.	LOCATION	MEDIUM	SAMPLE TYPE No.
1	SC5003501	50035	44V-50002-1	PE-PELLETS	No.: 4
2	SC8001001	80010	44D-80001A-1	PE-PELLETS	No.: 4
3	SC8001002	80010	44D-80001C-1	PE-PELLETS	No.: 4
4	SC8001101	80011	44D-80001B-1	PE-PELLETS	No.: 4
5	SC8001102	80011	44D-80001D-1	PE-PELLETS	No.: 4
6	SC8002001	80020	44D-80002A-1	PE-PELLETS	No.: 4
7	SC8002002	80020	44D-80002B-1	PE-PELLETS	No.: 4
8	SC8002003	80020	44D-80002C-1	PE-PELLETS	No.: 4
9	SC8002101	80021	44D-80002D-1	PE-PELLETS	No.: 4
10	SC8002102	80021	44D-80002E-1	PE-PELLETS	No.: 4
11	SC8002103	80021	44D-80002F-1	PE-PELLETS	No.: 4
12	SC8001003	80010	44D-80001E-1	PE-PELLETS	No.: 4
13	SC8001103	80011	44D-80001F-1	PE-PELLETS	No.: 4

No. 7  
SAMPLE CONNECTION  
FOR PE-POWDER



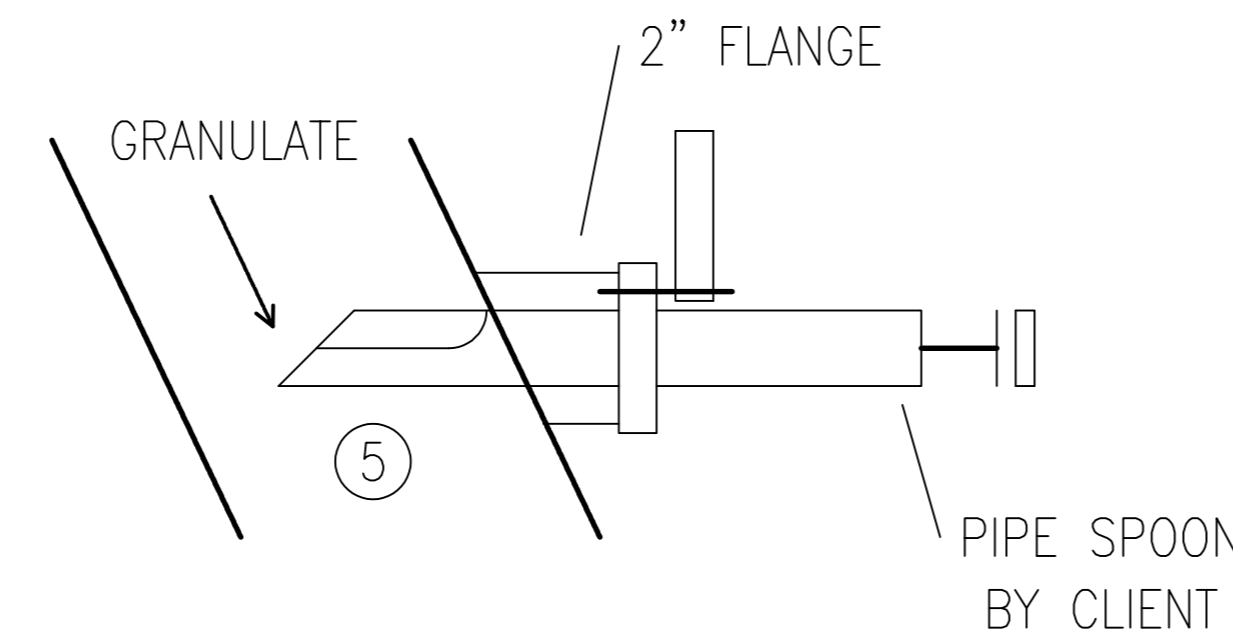
No.	SAMPLE No.	PID No.	LOCATION	MEDIUM	SAMPLE TYPE No.
1	SC4000001	40000	4000011	PE-POWDER	No.: 7
2	SC4003001	40030	4003019	PE-POWDER	No.: 7
3	SC4004001	40040	4004019	PE-POWDER	No.: 7

No. 2  
SAMPLE CONNECTION  
FOR THA CO-CATALYST



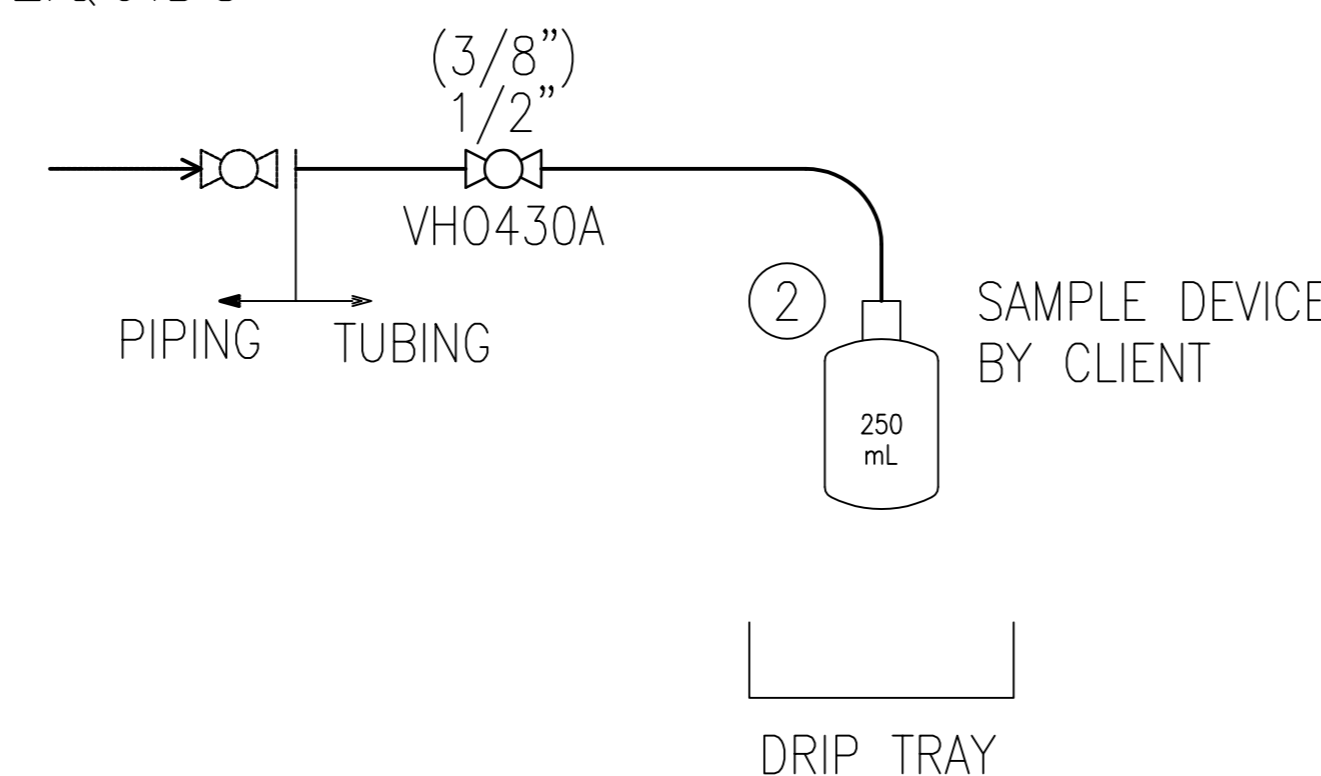
No.	SAMPLE No.	PID No.	LOCATION	MEDIUM	SAMPLE TYPE No.
1	SC1004101	10041	1004104	CO-CATALYST/HEXANE	No.: 2

No. 5  
SAMPLE CONNECTION  
FOR PE-GRANULATES IN  
SLOPED CONVEYING PIPE



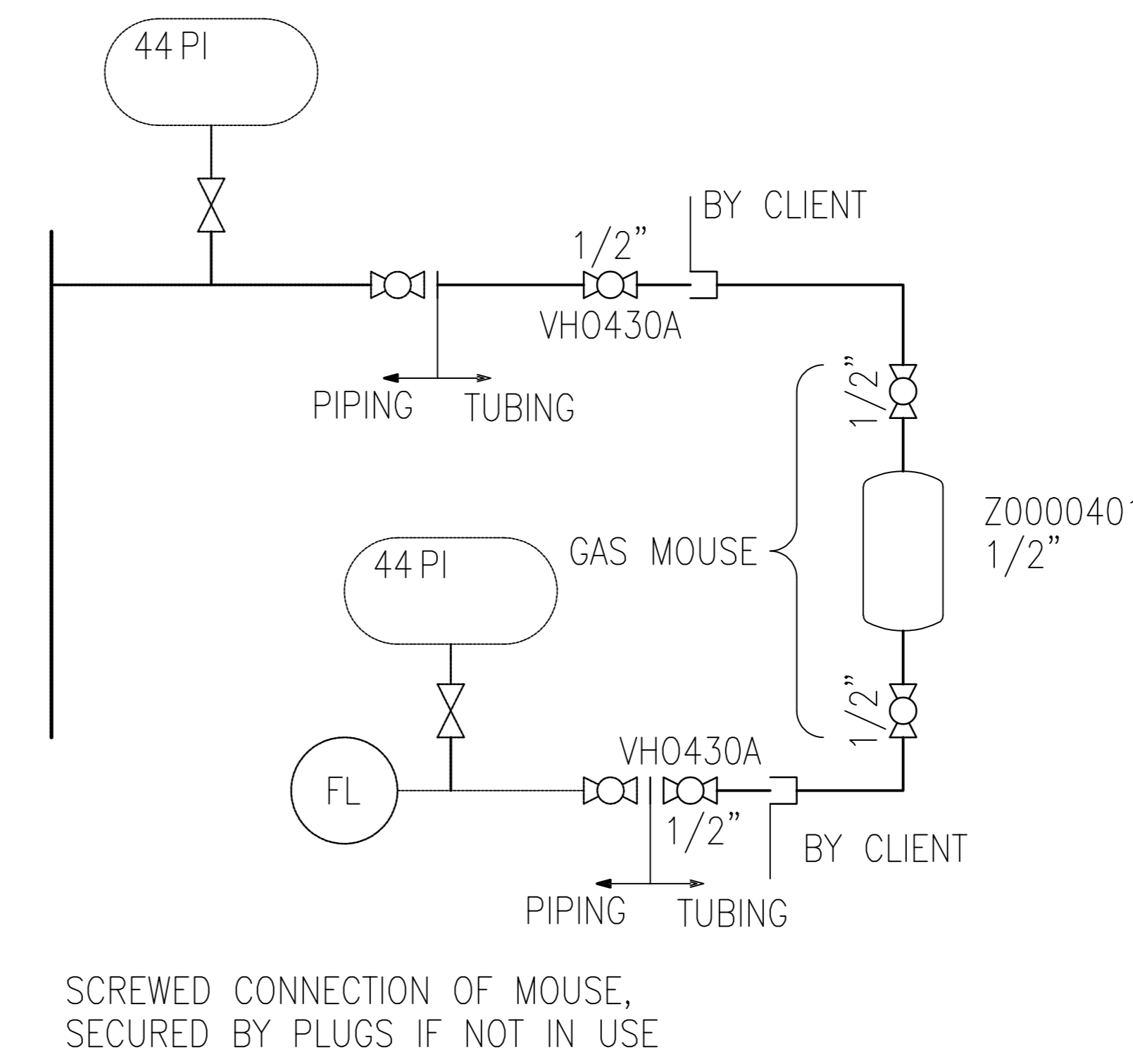
No.	SAMPLE No.	PID No.	LOCATION	MEDIUM	SAMPLE TYPE No.
1	SC5003502	50035	5002698	PE-PELLETS	No.: 5

No. 8  
SAMPLE CONNECTION  
FOR LIQUIDS



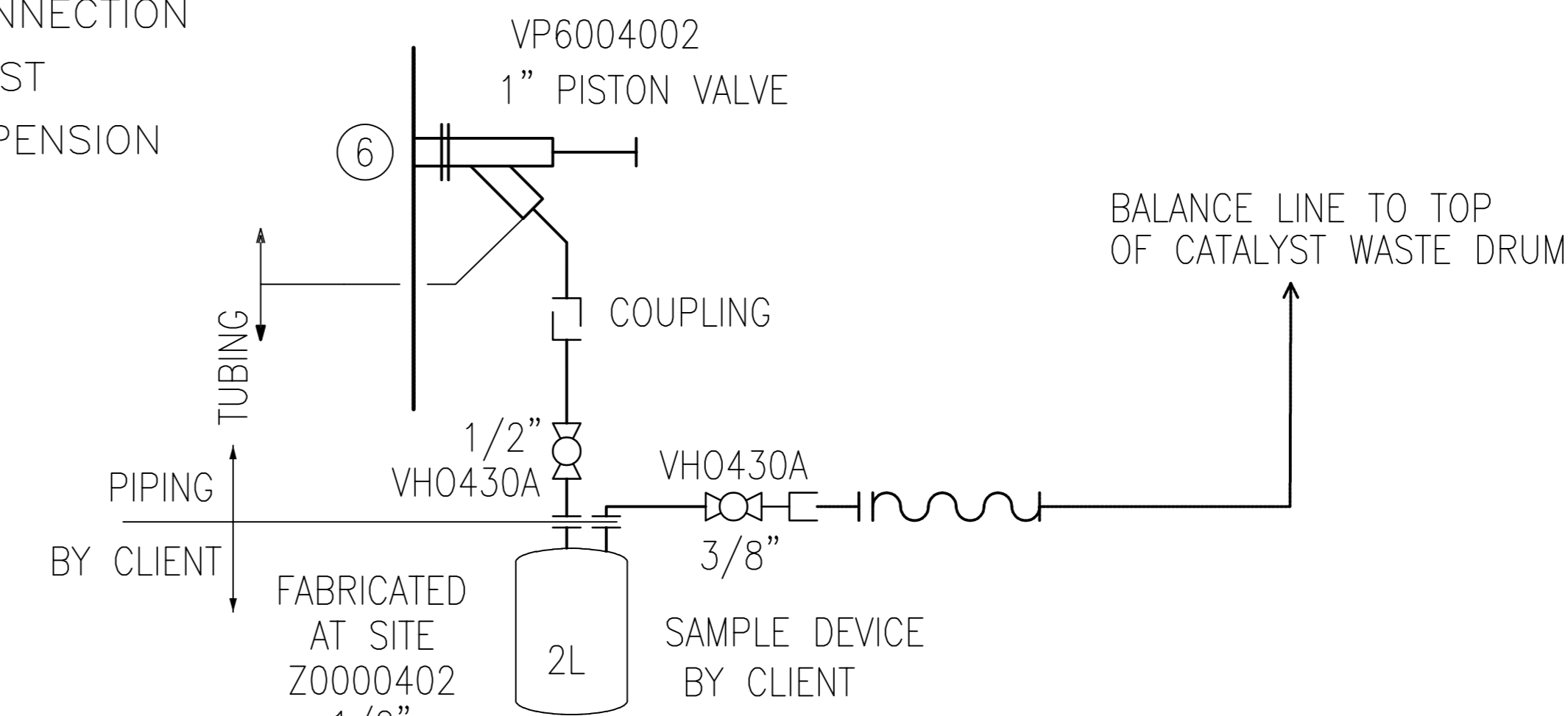
No.	SAMPLE No.	PID No.	LOCATION	MEDIUM	SAMPLE TYPE No.
1	SC1005001	10050	1005120	ANTISTATIC AGENT 1	No.: 8 (3/8)
2	SC2000001	20000	1005220	ANTISTATIC AGENT 2	No.: 8 (3/8)
3	SC7002001	70020	0001004P	HEXANE	No.: 8
4	SC7002002	70020	7006030	I-HEXENE	No.: 8
5	SC7003001	70030	7002024	N-HEXANE	No.: 8
6	SC7003002	70030	7002023	I-HEXENE	No.: 8
7	SC7003003	70030	7003013	HEXANE	No.: 8

No. 3  
GAS SAMPLE  
CONNECTION



No.	SAMPLE No.	PID No.	LOCATION	MEDIUM	SAMPLE TYPE No.	GAS MOUSE No.
1	SC2002001	20020	2002037	CYCLE GAS	No.: 3	No.: 1, 3
2	SC2002002	20020	2002036	CYCLE GAS	No.: 3	No.: 1, 3
3	SC3001001	30010	3001026	RECOVERY GAS	No.: 3	No.: 1, 3
4	SC3001002	30010	3001004	RECOVERY GAS	No.: 3	No.: 1, 3
5	SC3001003	30010	3001012	RECOVERY GAS	No.: 3	No.: 1, 3
6	SC3004001	30040	3004016	PERMEATE	No.: 3	No.: 1, 3
7	SC3004002	30040	3004104	RETENTATE	No.: 3	No.: 5
8	SC7000001	70000	0001001P	ETHENE TO PURIFICATION	No.: 3	No.: 2
9	SC7001001	70010	7001025	PURIFIED ETHENE	No.: 3	No.: 3, 1
10	SC7008001	70080	0001012P	NITROGEN	No.: 3	No.: 4
11	SC7008101	70081	7008127	PURE NITROGEN	No.: 3	No.: 5

No. 6  
SAMPLE CONNECTION  
FOR CATALYST  
WASTE SUSPENSION



No.	SAMPLE No.	PID No.	LOCATION	MEDIUM	SAMPLE TYPE No.	REMARK
1	SC6004001	60040	6004007	CAT. WASTE SUSPENSION	No.: 6	SPECIAL EQUIPMENT FROM RITAG

GENERAL NOTES

- 1- MEASURING DEVICE SMALLER THAN SAMPLE DEVICE. OVERFILLING PROTECTION.
- 2- USE BLIND PLUG AFTER DISCONNECTING SAMPLE DEVICE.
- 3- DIRECTLY CONNECTED.
- 4- PN FLUSHING CONNECTION.
- 5- SAMPLE SPOON COVERS COMPLETE DIAMETER OF SLOPED CONVEYING LINE.
- 6- INSTALL IN SLOPED PART OF CATALYST WASTE DRUM DISCHARGE LINE.

REFERENCE DRAWINGS	DWG.No.
xxxx	xxxx

No.	SAMPLE No.	PID No.	LOCATION	MEDIUM	SAMPLE TYPE No.	GAS MOUSE No.
1	SC2002001	20020	2002037	CYCLE GAS	No.: 3	No.: 1, 3
2	SC2002002	20020	2002036	CYCLE GAS	No.: 3	No.: 1, 3
3	SC3001001	30010	3001026	RECOVERY GAS	No.: 3	No.: 1, 3
4	SC3001002	30010	3001004	RECOVERY GAS	No.: 3	No.: 1, 3
5	SC3001003	30010	3001012	RECOVERY GAS	No.: 3	No.: 1, 3
6	SC3004001	30040	3004016	PERMEATE	No.: 3	No.: 1, 3
7	SC3004002	30040	3004104	RETENTATE	No.: 3	No.: 5
8	SC7000001	70000	0001001P	ETHENE TO PURIFICATION	No.: 3	No.: 2
9	SC7001001	70010	7001025	PURIFIED ETHENE	No.: 3	No.: 3, 1
10	SC7008001	70080	0001012P	NITROGEN	No.: 3	No.: 4
11	SC7008101	70081	7008127	PURE NITROGEN	No.: 3	No.: 5

LEGEND

RESULT CODE:  AP  AN  CO  RE  RESUBMISSION DATE:

NEXT STATUS:  IFI  IFA  AFC  ASB/FIN

Approval or review hereunder shall not be construed to relieve Vendor/ Subcontractor of his responsibilities and liability under the Contract.

P.O. NO.:

M.R. NO.:

ITEM NO. (EQUIPMENT NO.):

VENDOR JOB NO.:

REV. DATE PURPOSE OF ISSUE (P.O.I.) PREP. CHKD. APPR.

OWNER:



PROJECT: 300 KT POLYETHYLENE PLANT ARYA SASOL POLYMER COMPANY (ASPC)

MC: ISEDCO

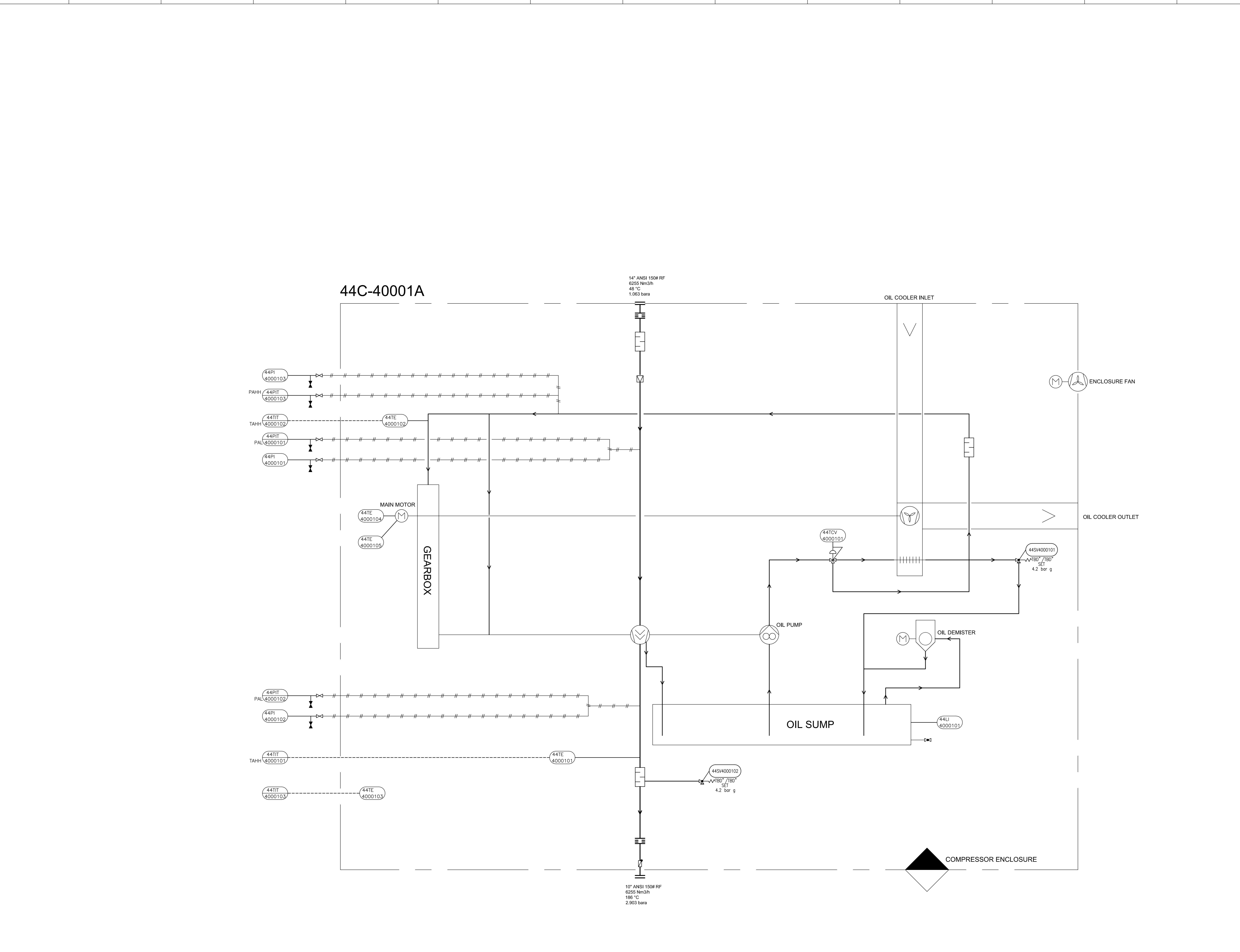
CONTRACTOR: SAZEH CONSULTANTS

VENDOR: DYPNF

DRAWING TITLE: PIPING & INSTRUMENTATION DIAGRAM 00004 LEGEND AND SYMBOLS 3 SAMPLE TAKING DEVICE

OWNER PROJECT NO. VENDOR DWG. MR NO. VENDOR CODE DISCIPLINE UNIT TYPE SEQ.

SCALE: NONE SIZE: A0 SHEET NO. 3 OF 11 REV. 00



ITEM	44C-40001A	44M-40001A			
DESCRIPTION	Blower	Main Motor			
TECHNICAL DATA	Outlet Capacity: 6255 Nm <sup>3</sup> /h Inlet/Outlet Pressure: 1.053/2.903 Bara Inlet/Outlet Temp: 50/186 °C Gas: Nitrogen	Rated Power: 440 kW Speed: 2988 rpm Power Supply: 6kV / 50Hz / 3ph			

GENERAL NOTES

1- -

LEGEND

DETAIL

REV.	DATE	PURPOSE OF ISSUE (P.O.I.)	PREP.	CHKD.	APPR.
00	07/Feb/25	ISSUE FOR APPROVAL	SC	KP	JJ

OWNER:



PROJECT:  
300 KT POLYETHYLENE PLANT  
ARYA SASOL POLYMER COMPANY (ASPC)

MC:  
ISEDCO  
شرکت عمران و ساختن

CONTRACTOR:  
SAZEH CONSULTANTS  
SAZEPARTNER

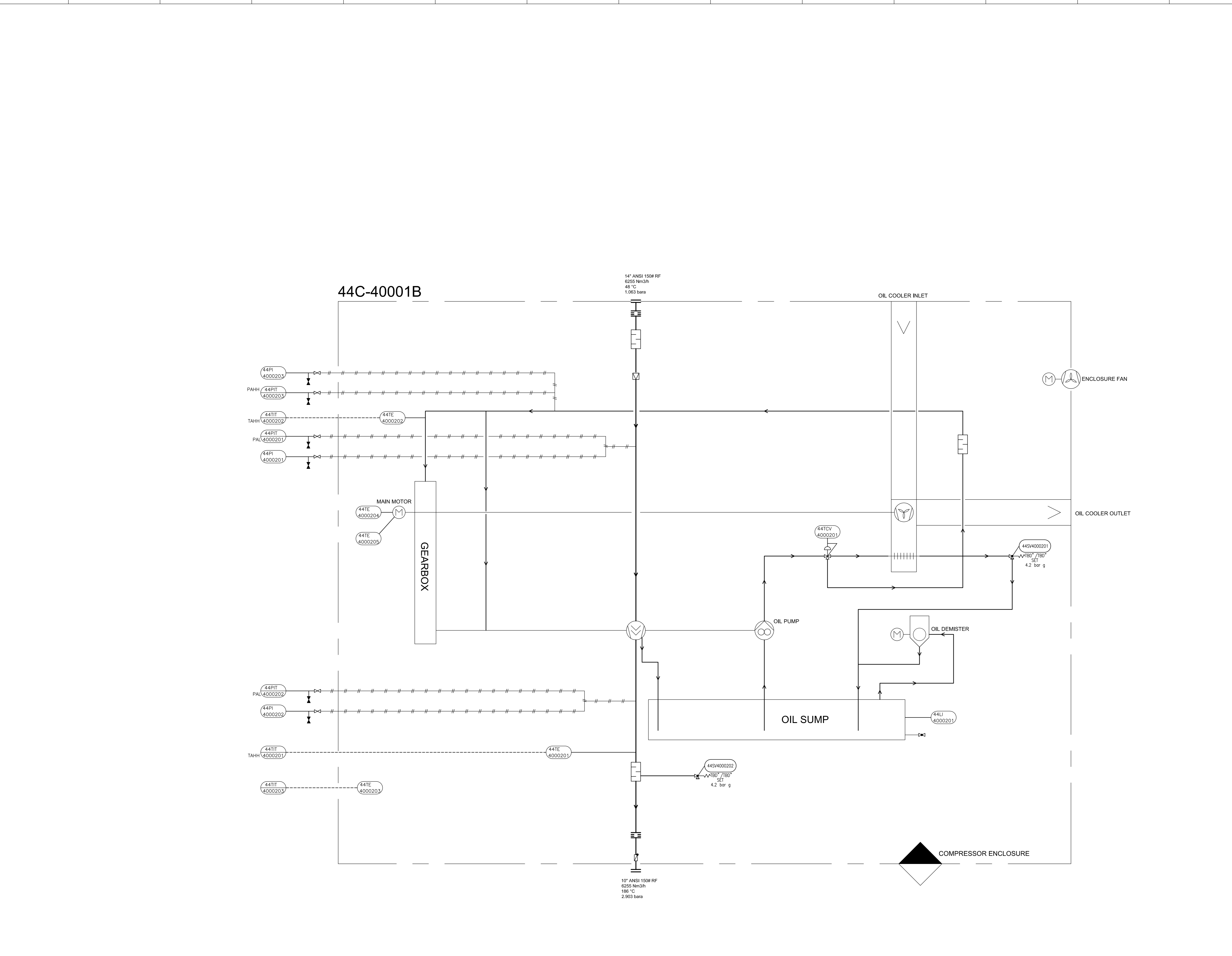
VENDOR:  
DYPNF

DRAWING TITLE:  
PIPING & INSTRUMENTATION DIAGRAM  
PNEUMATIC CONVEYING SYSTEM 44C-40001A

OWNER PROJECT NO.	VENDOR DWG.	MR NO.	VENDOR CODE	DISCIPLINE	UNIT	TYPE	SEQ.
3944	VD	0171	DYP	RE	400	PID	0016

SCALE: NONE SIZE: A0 SHEET NO. 1 OF 2 REV. 00

THIS DOCUMENT WITH ALL ITS RIGHTS IS THE PROPERTY OF A.S.P.C. AND MUST BE HELD IN CONFIDENCE. NO DISCLOSURE, REPRODUCTION OR OTHER USE OF THE DOCUMENT IN WHOLE OR A PORTIONS TO BE MADE WITHOUT THE PRIOR CONSENT OF A.S.P.C.



ITEM	44C-40001B	44M-40001B		
DESCRIPTION	Blower	Main Motor		
TECHNICAL DATA	Outlet Capacity: 6255 Nm <sup>3</sup> /h Inlet/Outlet Pressure: 1.053/2.903 Bara Inlet/Outlet Temp: 50/186 °C Gas: Nitrogen	Rated Power: 440 kW Speed: 2988 rpm Power Supply: 6kV / 50Hz / 3ph		

GENERAL NOTES

1- -

LEGEND

DETAIL

REV.	DATE	PURPOSE OF ISSUE (P.O.I.)	PREP.	CHKD.	APPR.
00	07/Feb/25	ISSUE FOR APPROVAL	SC	KP	JJ

OWNER:



PROJECT:  
300 KT POLYETHYLENE PLANT  
ARYA SASOL POLYMER COMPANY (ASPC)

MC:  
ISEDCO  
شرکت مهندسی و مشاوره

CONTRACTOR:  
SAZEH CONSULTANTS  
SAZEPARTNER

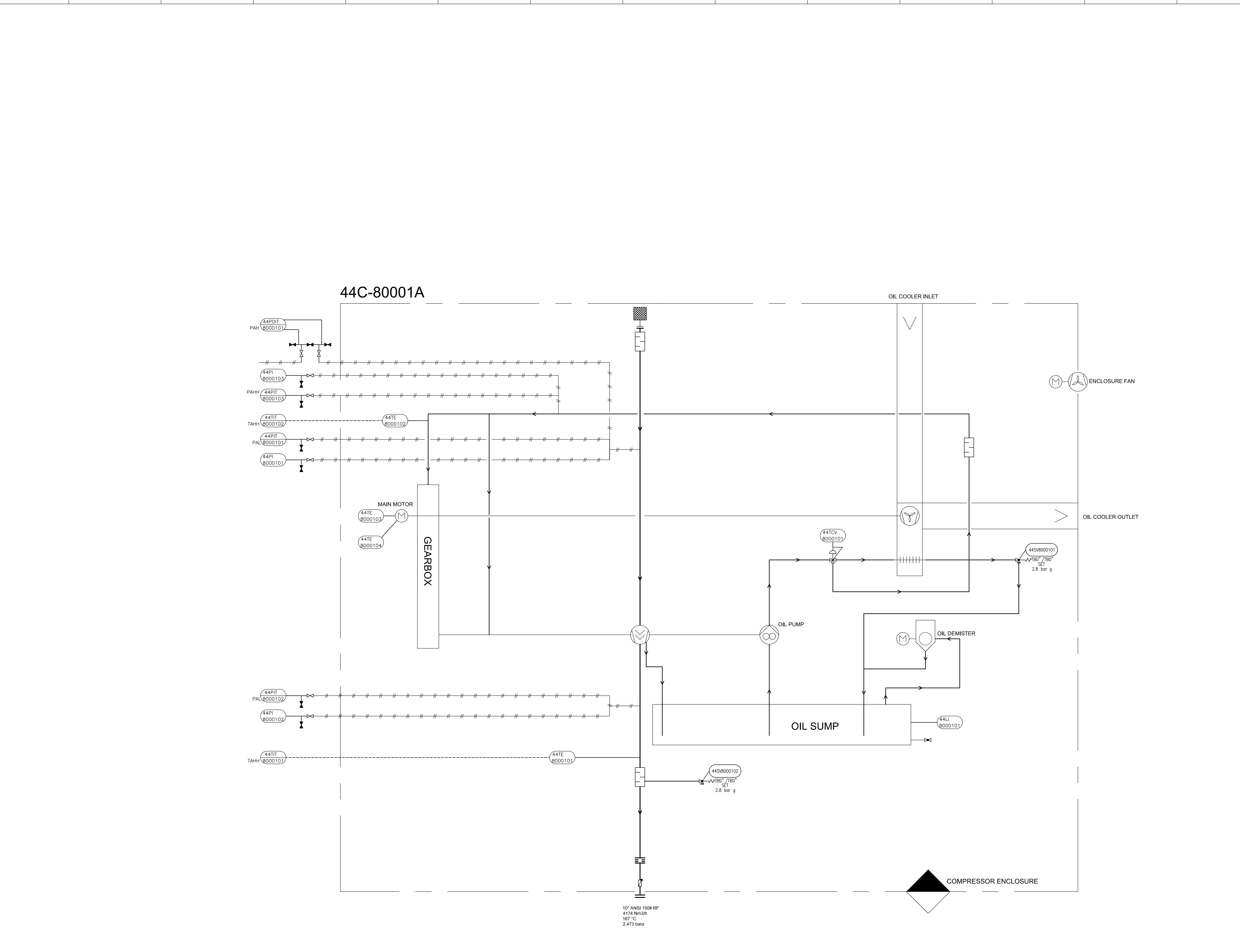
VENDOR:  
DYPNF

DRAWING TITLE:  
PIPING & INSTRUMENTATION DIAGRAM  
PNEUMATIC CONVEYING SYSTEM 44C-40001B

OWNER PROJECT NO.	VENDOR DWG.	MR NO.	VENDOR CODE	DISCIPLINE	UNIT	TYPE	SEQ.
3944	VD	0171	DYP	RE	400	PID	0016

SCALE: NONE SIZE: A0 SHEET NO. 2 OF 2 REV. 00

THIS DOCUMENT WITH ALL ITS RIGHTS IS THE PROPERTY OF A.S.P.C. AND MUST BE HELD IN CONFIDENCE. NO DISCLOSURE, REPRODUCTION OR OTHER USE OF THE DOCUMENT IN WHOLE OR A PORTION IS TO BE MADE WITHOUT THE PRIOR CONSENT OF A.S.P.C.



ITEM	44C-80001A	44M-80001A
DESCRIPTION	Blower	Main Motor
TECHNICAL DATA	Outlet Capacity: 4174 Nm <sup>3</sup> /h Inlet/Outlet Pressure: 1.013/2.473 Bara Inlet/Outlet Temp: 48/167 °C Gas: Air	Rated Power: 250 kW Speed: 2980 rpm Power Supply: 6kV / 50Hz / 3ph

GENERAL NOTES

1- -

LEGEND

DETAIL

REV.	DATE	PURPOSE OF ISSUE (P.O.I.)	PREP.	CHKD.	APPR.
00	07/Feb/25	ISSUE FOR APPROVAL	SC	KP	JJ

OWNER:



PROJECT:  
300 KT POLYETHYLENE PLANT  
ARYA SASOL POLYMER COMPANY (ASPC)

MC:  
ISEDCO  
شرکت عمران و ساخت پتروشیمی

CONTRACTOR:  
SAZEH CONSULTANTS  
SAZEPARTNER

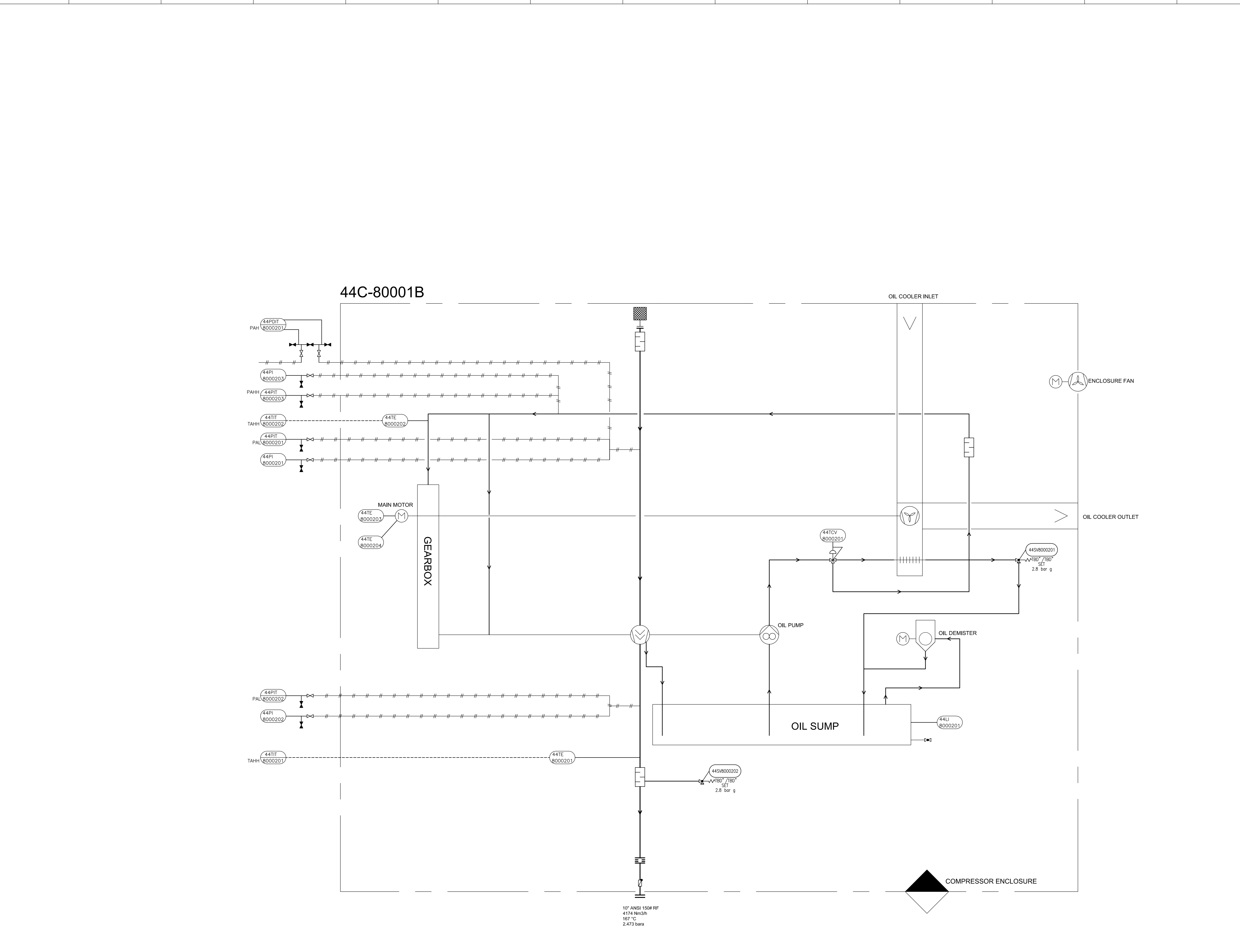


DRAWING TITLE:  
PIPING & INSTRUMENTATION DIAGRAM  
PNEUMATIC CONVEYING SYSTEM 44C-80001A

OWNER PROJECT NO.	VENDOR DWG.	MR NO.	VENDOR CODE	DISCIPLINE	UNIT	TYPE	SEQ.
3944	VD	0180	DYP	RE	800	PID	0016

SCALE: NONE SIZE: A0 SHEET NO. 1 OF 9 REV. 00

THIS DOCUMENT WITH ALL ITS RIGHTS IS THE PROPERTY OF A.S.P.C. AND MUST BE HELD IN CONFIDENCE. NO DISCLOSURE, REPRODUCTION OR OTHER USE OF THE DOCUMENT IN WHOLE OR A PORTION IS TO BE MADE WITHOUT THE PRIOR CONSENT OF A.S.P.C.



ITEM	44C-80001B	44M-80001B
DESCRIPTION	Blower	Main Motor
TECHNICAL DATA	Outlet Capacity: 4174 Nm <sup>3</sup> /h Inlet/Outlet Pressure: 1.013/2.473 Bara Inlet/Outlet Temp: 48/167 °C Gas: Air	Rated Power: 250 kW Speed: 2980 rpm Power Supply: 6kV / 50Hz / 3ph

GENERAL NOTES

1- -

LEGEND

DETAIL

REV.	DATE	PURPOSE OF ISSUE (P.O.I.)	PREP.	CHKD.	APPR.
00	07/Feb/25	ISSUE FOR APPROVAL	SC	KP	JJ

OWNER:



PROJECT:  
300 KT POLYETHYLENE PLANT  
ARYA SASOL POLYMER COMPANY (ASPC)

MC:  
ISEDCO  
شرکت عمران و ساخت پارس

CONTRACTOR:  
SAZEH CONSULTANTS  
SAZEPARTNER

VENDOR:  
DYPNF

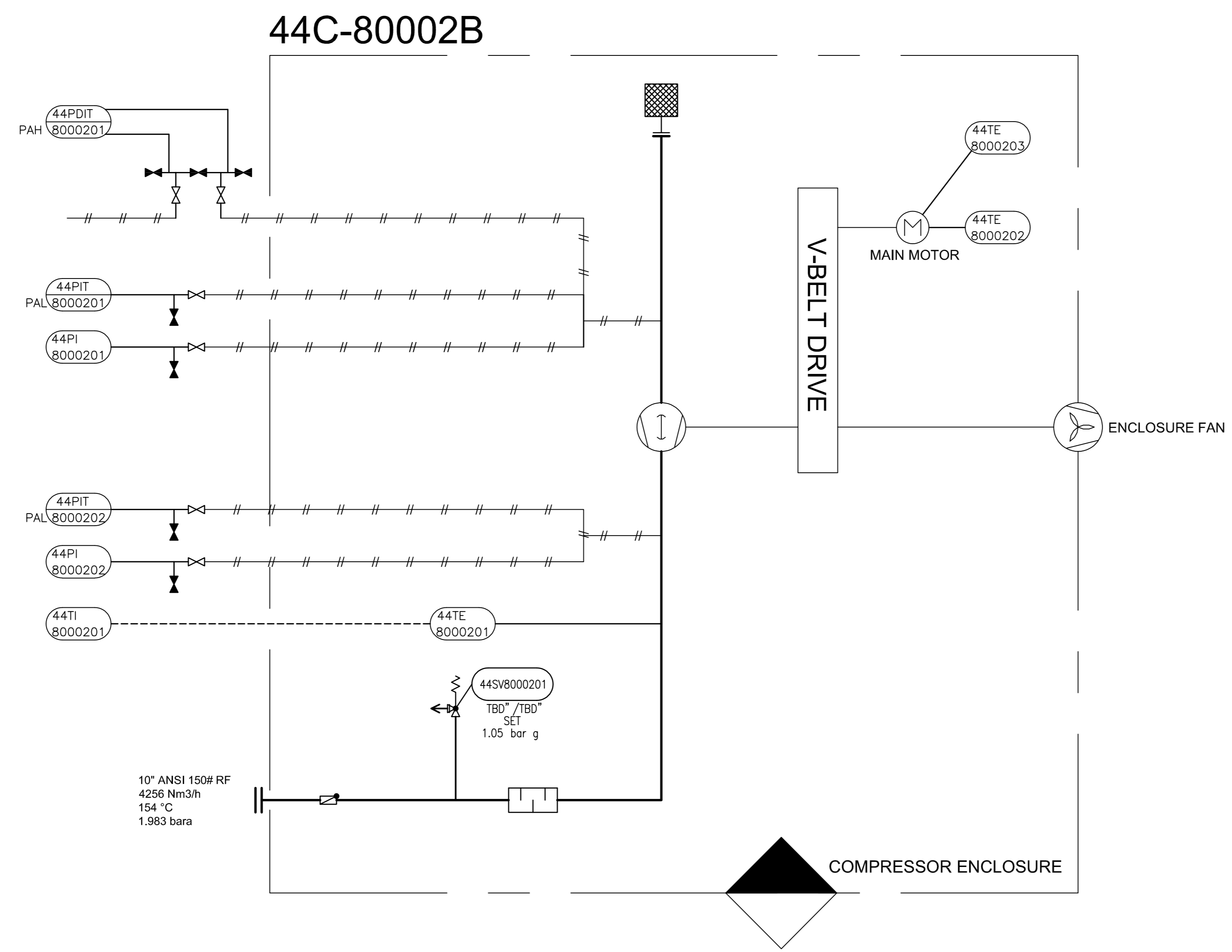
DRAWING TITLE:  
PIPING & INSTRUMENTATION DIAGRAM  
PNEUMATIC CONVEYING SYSTEM 44C-80001B

OWNER PROJECT NO.	VENDOR DWG.	MR NO.	VENDOR CODE	DISCIPLINE	UNIT	TYPE	SEQ.
3944	VD	0180	DYP	RE	800	PID	0016

SCALE: NONE SIZE: A0 SHEET NO. 2 OF 9 REV. 00

THIS DOCUMENT WITH ALL ITS RIGHTS IS THE PROPERTY OF A.S.P.C. AND MUST BE HELD IN CONFIDENCE. NO DISCLOSURE, REPRODUCTION OR OTHER USE OF THE DOCUMENT IN WHOLE OR A PORTIONS TO BE MADE WITHOUT THE PRIOR CONSENT OF A.S.P.C.





GENERAL NOTES

1- -

LEGEND

DETAIL

REV.	DATE	PURPOSE OF ISSUE (P.O.I.)	PREP.	CHKD.	APPR.
00	07/Feb/25	ISSUE FOR APPROVAL	SC	KP	JJ

OWNER:  
**ARYA SASOL POLYMER COMPANY**  
 شرکت پالیمور آریا ساسول

PROJECT:  
**300 KT POLYETHYLENE PLANT**  
**ARYA SASOL POLYMER COMPANY (ASPC)**

MC:  
**ISEDCO**  
 شرکت مهندسی و مشاوره

CONTRACTOR:  
**SAZEH CONSULTANTS**

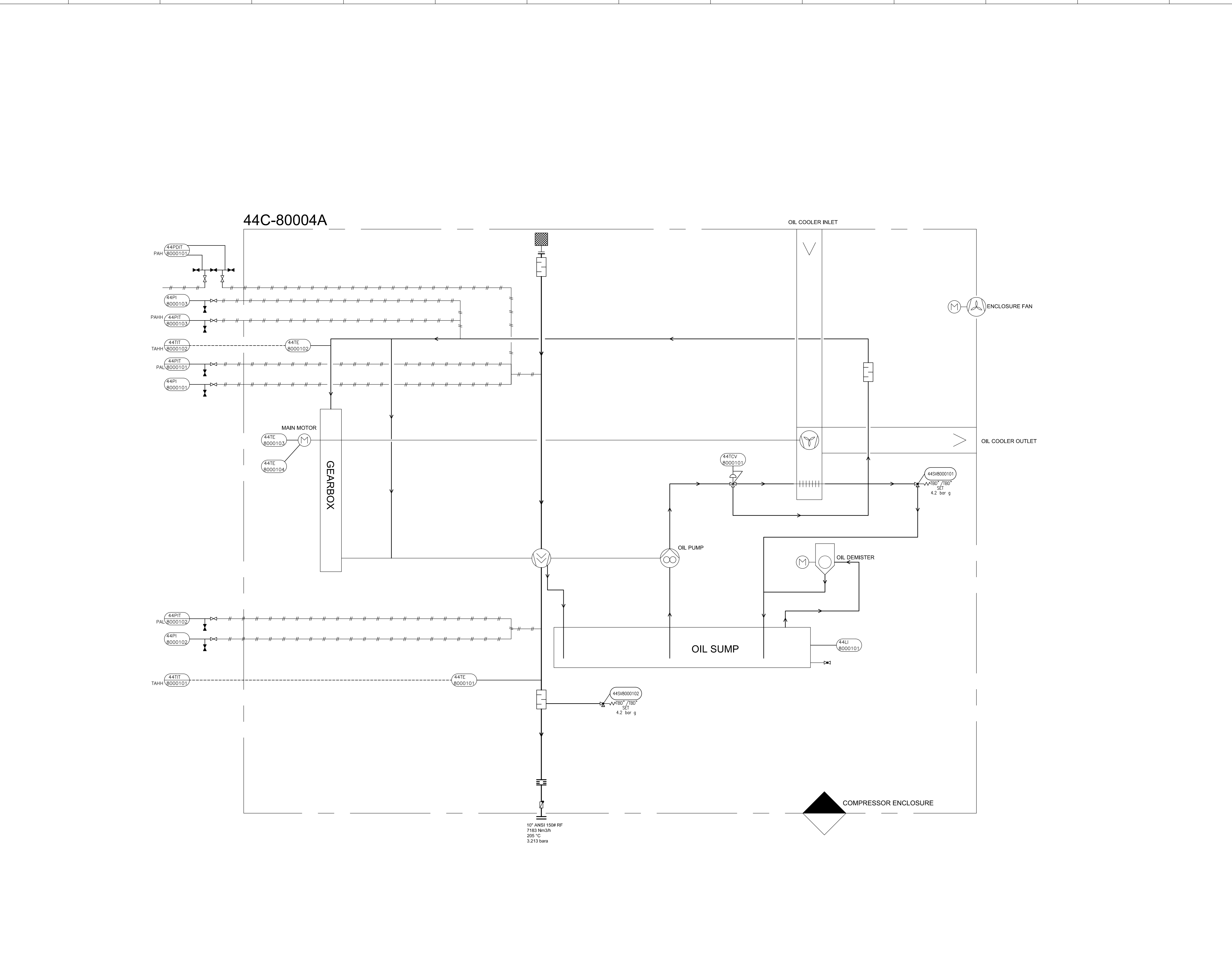
VENDOR:  
**DYPNF**

DRAWING TITLE:  
**PIPING & INSTRUMENTATION DIAGRAM**  
**PNEUMATIC CONVEYING SYSTEM 44C-80002B**

OWNER DOC. NO.						
OWNER PROJECT NO.	VENDOR DWG.	MR NO.	VENDOR CODE	DISCIPLINE	UNIT	TYPE SEQ.
3944	VD	0180	DYP	RE	800	PID 0016
SCALE: NONE	SIZE: A0	SHEET NO. 4 OF 9	REV. 00			

ITEM	44C-80002B	44M-80002B			
DESCRIPTION	Blower	Main Motor			
TECHNICAL DATA	Outlet Capacity: 4256 Nm <sup>3</sup> /h Inlet/Outlet Pressure: 1.013/1.983 Bara Inlet/Outlet Temp: 48/154 °C Gas: Air	Rated Power: 250 kW Speed: 1488 rpm Power Supply: 6kV / 50Hz / 3ph			

THIS DOCUMENT WITH ALL ITS RIGHTS IS THE PROPERTY OF A.S.P.C. AND MUST BE HELD IN CONFIDENCE. NO DISCLOSURE, REPRODUCTION OR OTHER USE OF THE DOCUMENT IN WHOLE OR A PORTION IS TO BE MADE WITHOUT THE PRIOR CONSENT OF A.S.P.C.



ITEM	44C-80004A	44M-80004A
DESCRIPTION	Blower	Main Motor
TECHNICAL DATA	Outlet Capacity: 7183 Nm <sup>3</sup> /h Inlet/Outlet Pressure: 1.013/3.213 Bara Inlet/Outlet Temp: 48/206 °C Gas: Air	Rated Power: 560 kW Speed: 2985 rpm Power Supply: 6kV / 50Hz / 3ph

GENERAL NOTES

1- -

LEGEND

DETAIL

REV	DATE	PURPOSE OF ISSUE (P.O.I.)	PREP	CHKD	APPR
00	07/Feb/25	ISSUE FOR APPROVAL	SC	KP	JJ

OWNER:



PROJECT:  
300 KT POLYETHYLENE PLANT  
ARYA SASOL POLYMER COMPANY (ASPC)

MC:  
ISEDCO  
شرکت مهندسی و پیمانکاری

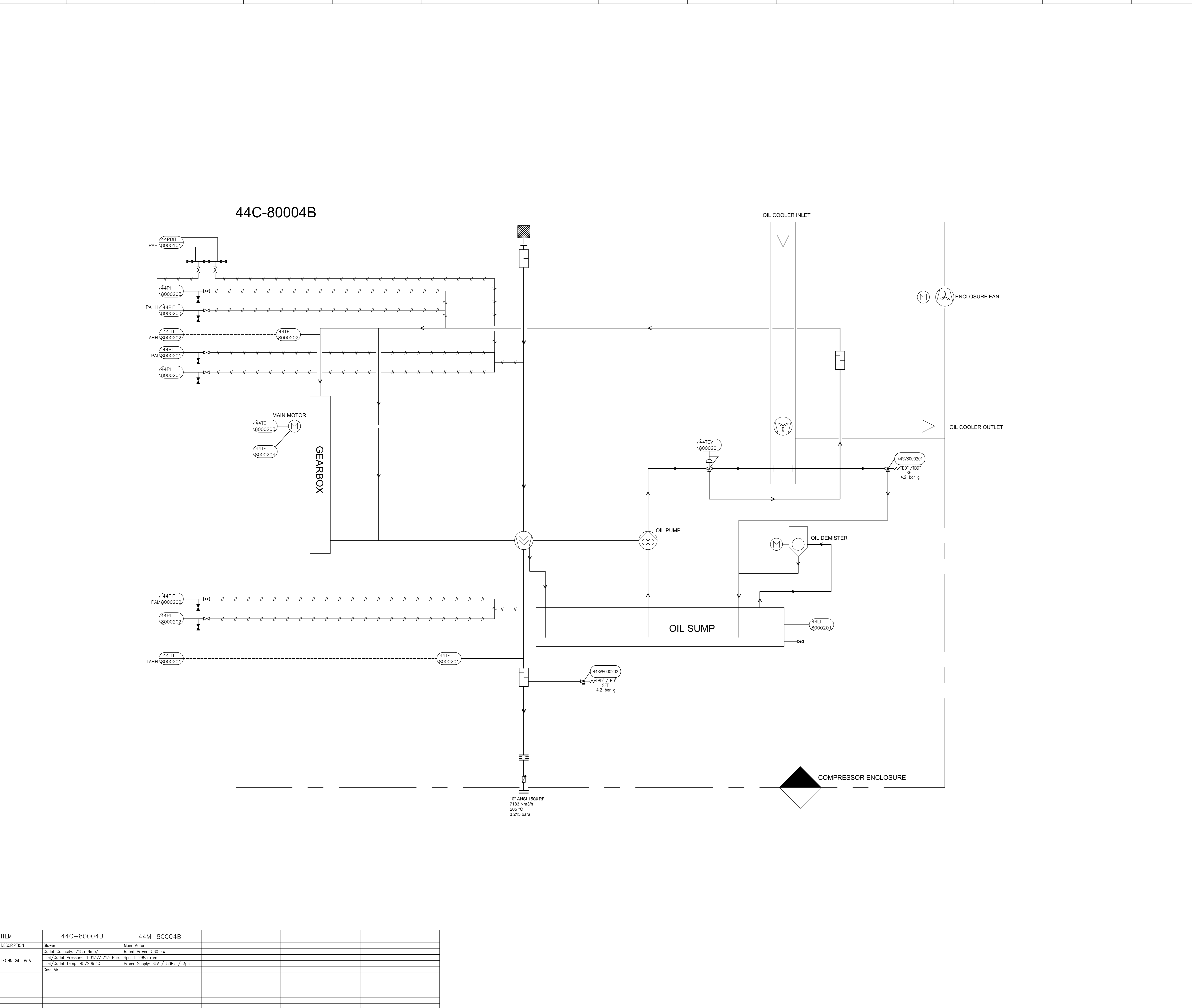
CONTRACTOR:  
SAZEH CONSULTANTS  
SAZEPARTNER

VENDOR:  
DYPNF

DRAWING TITLE:  
PIPING & INSTRUMENTATION DIAGRAM  
PNEUMATIC CONVEYING SYSTEM 44C-80004A

OWNER PROJECT NO.	VENDOR DWG.	MR NO.	VENDOR CODE	DISCIPLINE	UNIT	TYPE	SEQ.
3944	VD	0180	DYP	RE	800	PID	0016

SCALE: NONE SIZE: A0 SHEET NO. 5 OF 9 REV. 00



ITEM	44C-80004B	44M-80004B		
DESCRIPTION	Blower	Main Motor		
TECHNICAL DATA	Outlet Capacity: 7183 Nm <sup>3</sup> /h Inlet/Outlet Pressure: 1.013/3.213 Bara Inlet/Outlet Temp: 48/206 °C Gas: Air	Rated Power: 560 kW Speed: 2985 rpm Power Supply: 6kV / 50Hz / 3ph		

GENERAL NOTES

1- -

LEGEND

DETAIL

REV.	DATE	PURPOSE OF ISSUE (P.O.I.)	PREP.	CHKD.	APPR.
00	07/Feb/25	ISSUE FOR APPROVAL	SC	KP	JJ

OWNER:

300 KT POLYETHYLENE PLANT  
ARYA SASOL POLYMER COMPANY (ASPC)

MC:

ISSEDCO

ARYA SASOL POLYMER COMPANY

CONTRACTOR:

SAZEH CONSULTANTS

SAZEPARTNER

VENDOR:

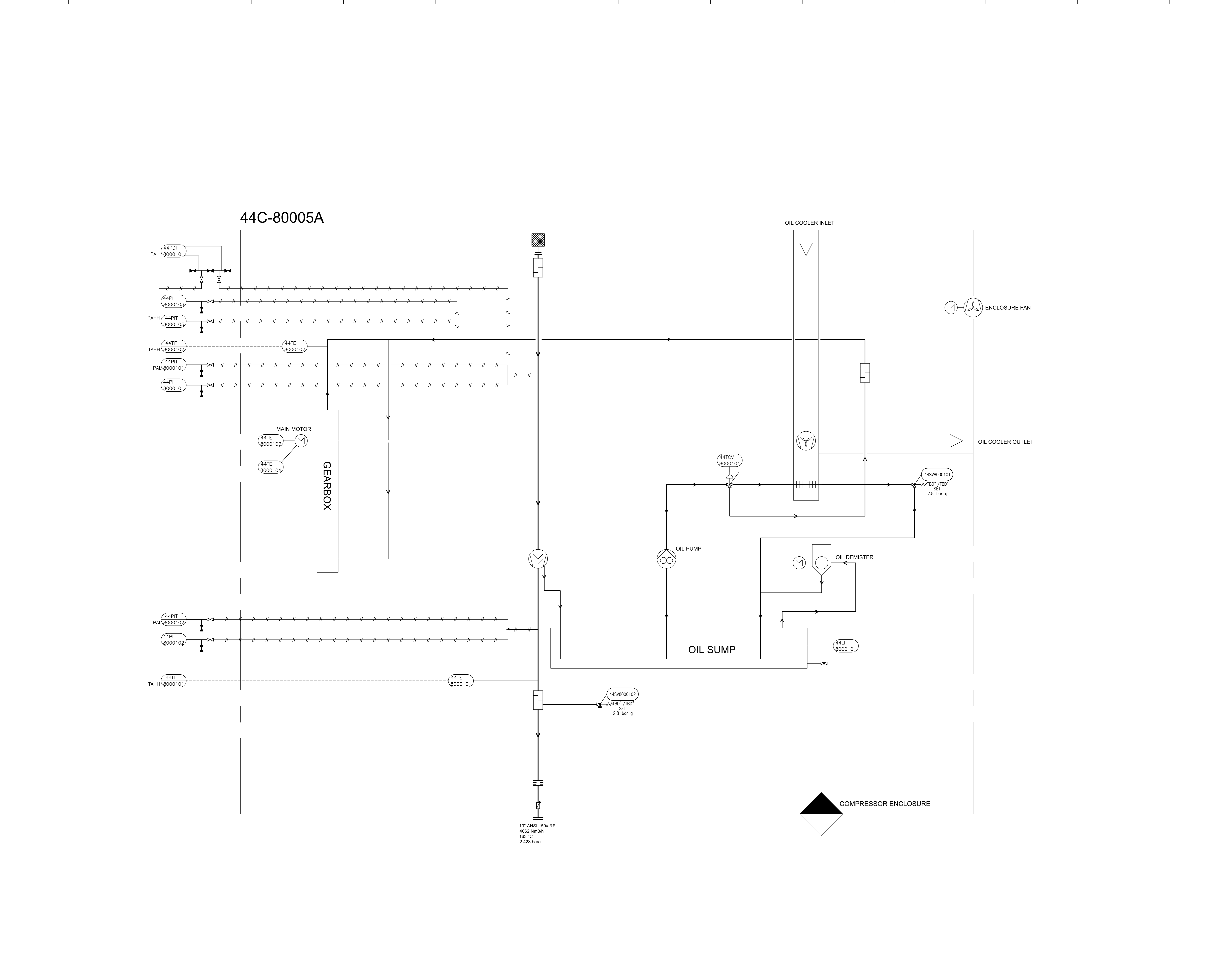
DYPNF

DRAWING TITLE: PIPING & INSTRUMENTATION DIAGRAM  
PNEUMATIC CONVEYING SYSTEM 44C-80004B

OWNER DOC. NO.

OWNER PROJECT NO.	VENDOR DWG.	MR NO.	VENDOR CODE	DISCIPLINE	UNIT	TYPE	SEQ.
3944	VD	0180	DYP	RE	800	PID	0016

SCALE: NONE SIZE: A0 SHEET NO. 6 OF 9 REV. 00



ITEM	44C-80005A	44M-80005A
DESCRIPTION	Blower	Main Motor
TECHNICAL DATA	Outlet Capacity: 4062 Nm <sup>3</sup> /h Inlet/Outlet Pressure: 1.013/2.423 Bara Inlet/Outlet Temp: 48/163 °C Gas: Air	Rated Power: 250 kW Speed: 2980 rpm Power Supply: 6kV / 50Hz / 3ph

GENERAL NOTES

1- -

LEGEND

DETAIL

REV.	DATE	PURPOSE OF ISSUE (P.O.I.)	PREP.	CHKD.	APPR.
00	07/Feb/25	ISSUE FOR APPROVAL	SC	KP	JJ

OWNER: ARYA SASOL POLYMER COMPANY

PROJECT: 300 KT POLYETHYLENE PLANT  
ARYA SASOL POLYMER COMPANY (ASPC)

MC: ISEDCO

CONTRACTOR: SAZEH CONSULTANTS

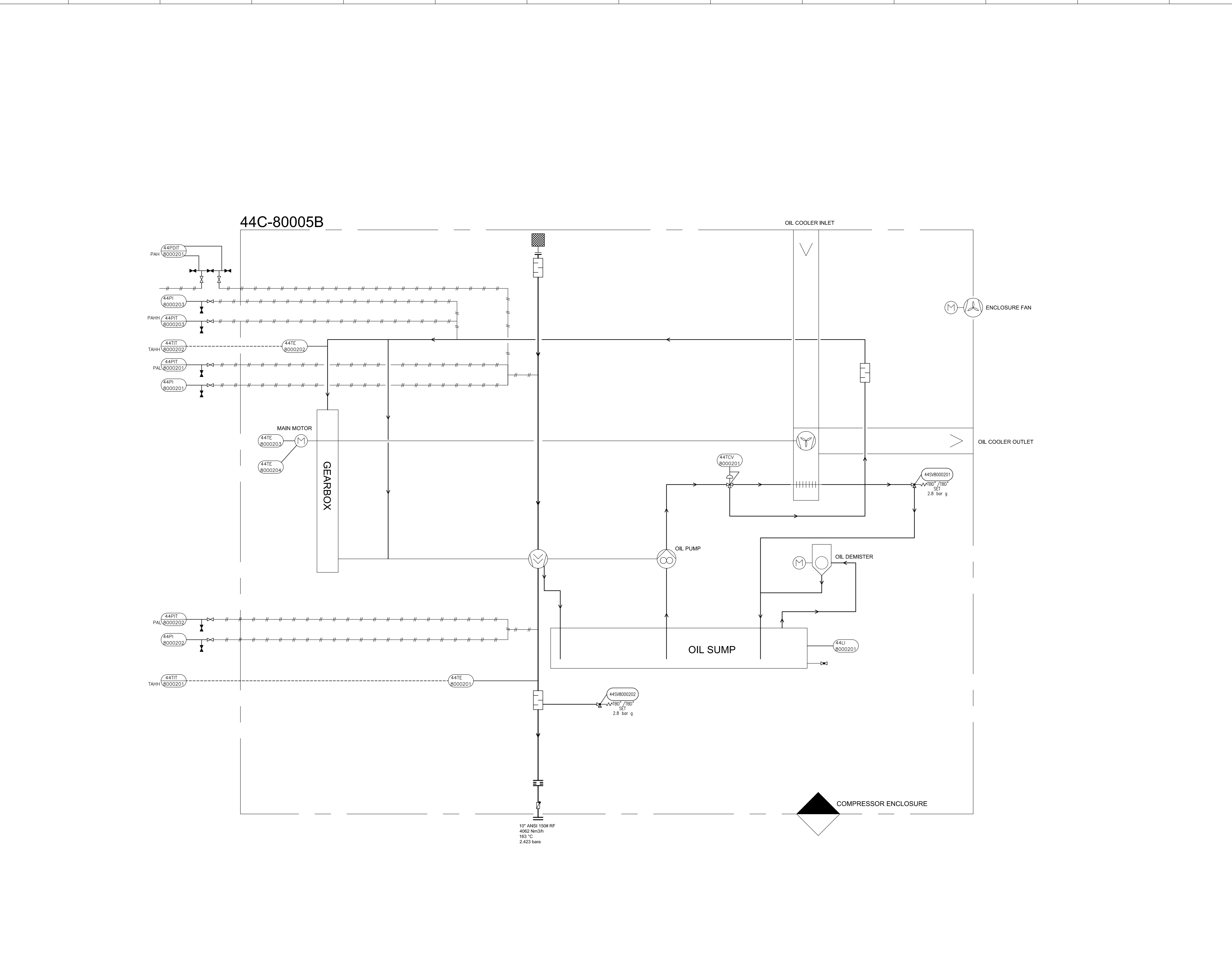
VENDOR: DYPNF

DRAWING TITLE: PIPING & INSTRUMENTATION DIAGRAM  
PNEUMATIC CONVEYING SYSTEM 44C-80005A

OWNER PROJECT NO.	VENDOR DWG.	MR NO.	VENDOR CODE	DISCIPLINE	UNIT	TYPE	SEQ.
3944	VD	0180	DYP	RE	800	PID	0016

SCALE: NONE SIZE: A0 SHEET NO. 7 OF 9 REV. 00

THIS DOCUMENT WITH ALL ITS RIGHTS IS THE PROPERTY OF A.S.P.C. AND MUST BE HELD IN CONFIDENCE. NO DISCLOSURE, REPRODUCTION OR OTHER USE OF THE DOCUMENT IN WHOLE OR A PORTIONS TO BE MADE WITHOUT THE PRIOR CONSENT OF A.S.P.C.



ITEM	44C-80005B	44M-80005B			
DESCRIPTION	Blower	Main Motor			
TECHNICAL DATA	Outlet Capacity: 4062 Nm <sup>3</sup> /h Inlet/Outlet Pressure: 1.013/2.423 Bara Inlet/Outlet Temp: 48/163 °C Gas: Air	Rated Power: 250 kW Speed: 2980 rpm Power Supply: 6kV / 50Hz / 3ph			

GENERAL NOTES

1- -

LEGEND

DETAIL

00	07/Feb/25	ISSUE FOR APPROVAL	SC	KP	JJ
REV.	DATE	PURPOSE OF ISSUE (P.O.I.)	PREP.	CHKD.	APPR.



PROJECT:  
300 KT POLYETHYLENE PLANT  
ARYA SASOL POLYMER COMPANY (ASPC)

MC:  
ISEDCO  
شرکت عمران و ساختن

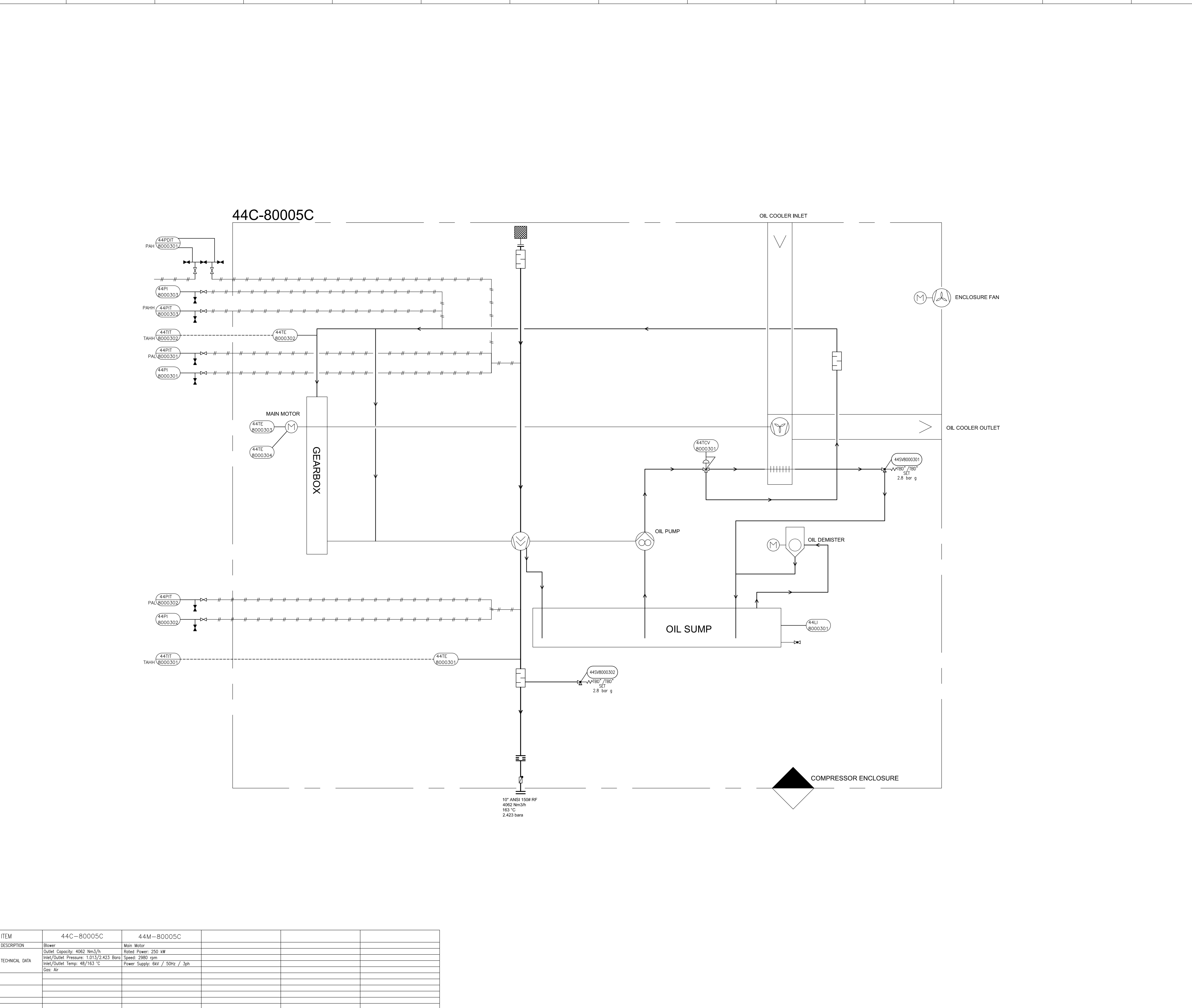
CONTRACTOR:  
SAZEH CONSULTANTS  
SAZEPARTNER

VENDOR:  
DYPNF

DRAWING TITLE:  
PIPING & INSTRUMENTATION DIAGRAM  
PNEUMATIC CONVEYING SYSTEM 44C-80005B

OWNER DOC. NO.					
OWNER PROJECT NO.	VENDOR DWG.	MR NO.	VENDOR CODE	DISCIPLINE	UNIT TYPE SEQ.
3944	VD	0180	DYP	RE	800 PID 0016
SCALE:	NONE	SIZE:	A0	SHEET NO.	8 OF 9 REV. 00

THIS DOCUMENT WITH ALL ITS RIGHTS IS THE PROPERTY OF A.S.P.C. AND MUST BE HELD IN CONFIDENCE. NO DISCLOSURE, REPRODUCTION OR OTHER USE OF THE DOCUMENT IN WHOLE OR A PORTIONS TO BE MADE WITHOUT THE PRIOR CONSENT OF A.S.P.C.



ITEM	44C-80005C	44M-80005C
DESCRIPTION	Blower	Main Motor
TECHNICAL DATA	Outlet Capacity: 4062 Nm <sup>3</sup> /h Inlet/Outlet Pressure: 1.013/2.423 Bara Inlet/Outlet Temp: 48/163 °C Gas: Air	Rated Power: 250 kW Speed: 2980 rpm Power Supply: 6kV / 50Hz / 3ph

GENERAL NOTES

1- -

LEGEND

DETAIL

REV.	DATE	PURPOSE OF ISSUE (P.O.I.)	PREP.	CHKD.	APPR.
00	07/Feb/25	ISSUE FOR APPROVAL	SC	KP	JJ

OWNER:

شرکت پلیمر آریا ساسول  
ARYA SASOL POLYMER COMPANY  
(ASPC)

PROJECT:

300 KT POLYETHYLENE PLANT  
ARYA SASOL POLYMER COMPANY (ASPC)

MC:

شرکت مهندسی و پیمانکاری آریا ساسول  
ISEDCO

CONTRACTOR:

SAZEH CONSULTANTS

VENDOR:

DYPNF

DRAWING TITLE:

PIPING & INSTRUMENTATION DIAGRAM  
PNEUMATIC CONVEYING SYSTEM 44C-80005C

OWNER PROJECT NO.	VENDOR DWG.	MR NO.	VENDOR CODE	DISCIPLINE	UNIT	TYPE	SEQ.
3944	VD	0180	DYP	RE	800	PID	0016

SCALE: NONE SIZE: A0 SHEET NO. 9 OF 9 REV. 00

THIS DOCUMENT WITH ALL ITS RIGHTS IS THE PROPERTY OF A.S.P.C. AND MUST BE HELD IN CONFIDENCE. NO DISCLOSURE, REPRODUCTION OR OTHER USE OF THE DOCUMENT IN WHOLE OR A PORTION IS TO BE MADE WITHOUT THE PRIOR CONSENT OF A.S.P.C.