



ASPC Project



END CUSTOMER	: Arya Sasol Polymer Company
CONTRACTOR	: DYPNF Co., Ltd.
VENDOR NAME	: Airpack Netherlands BV
EQUIPMENT DESCRIPTION	: Screw Compressor & Roots Blower Package
PURCHASE ORDER NUMBER	: PO-PC2312-08

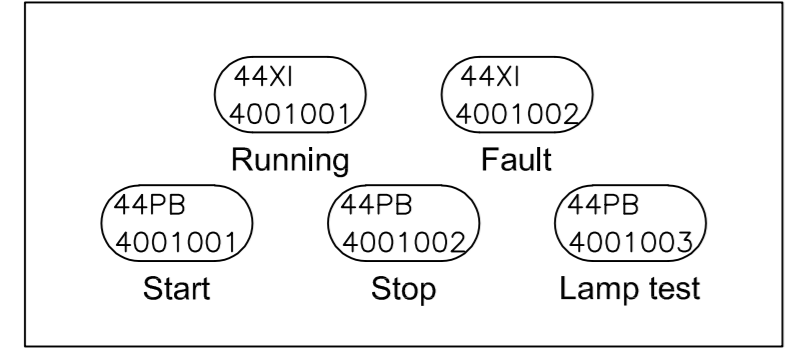
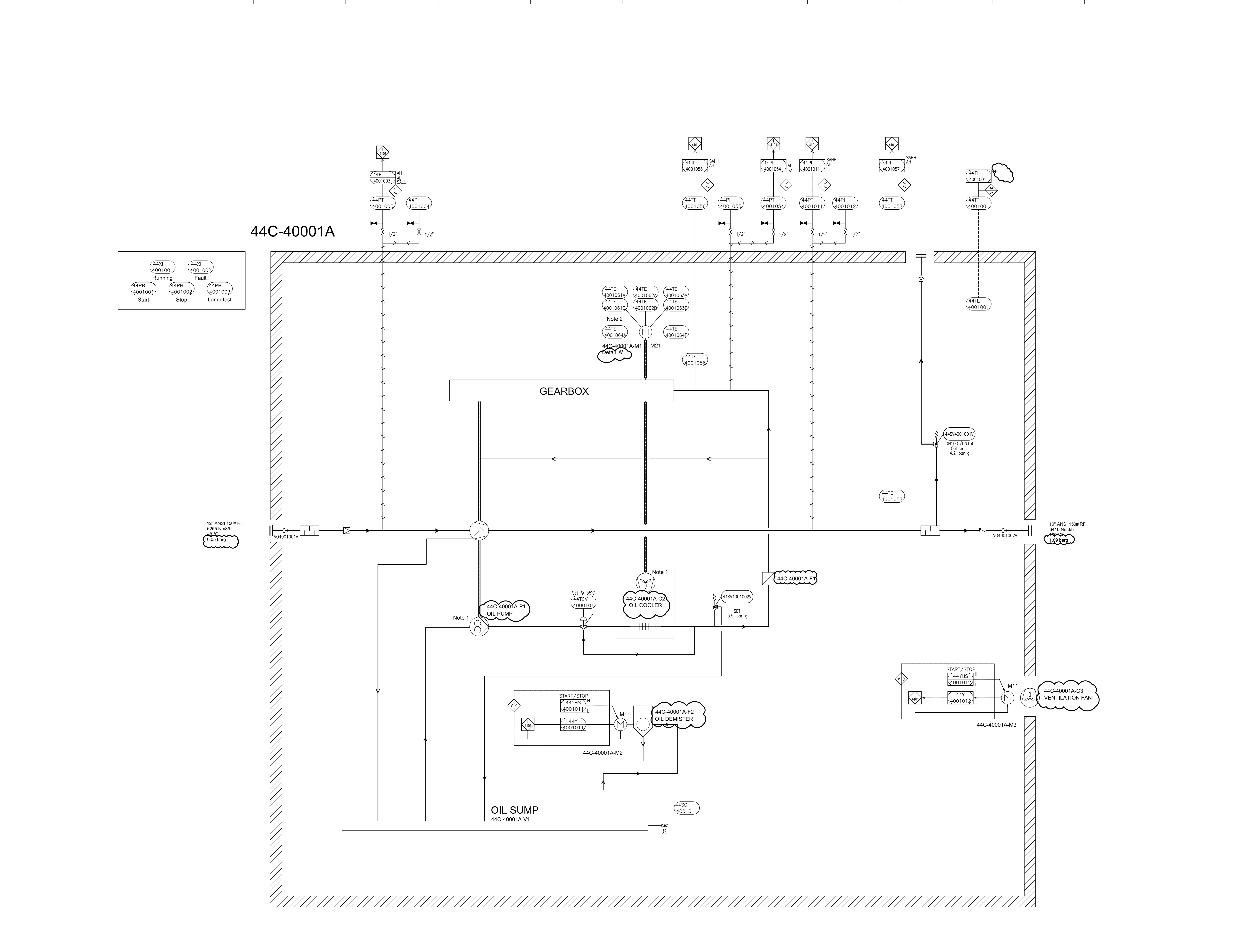
Customer Document : 3944-VD-0171-DYP-RE-400-PID-0016
Number

Airpack Document Number : 23383-03

Document Title : Piping & Instrument Diagram (incl. legend)

Review Code and Status		Contractor Initials/Signature	Date signed
<input type="checkbox"/>	Code 1 REJECTED - Vendor to revise and Resubmit. Work cannot proceed		
<input type="checkbox"/>	Code 2 Comments As Noted - Work May proceed, subject to compliance with and incorporation of comments		
<input type="checkbox"/>	Code 3 No Comments - Work may proceed.		
<input type="checkbox"/>	Code 4 Information only - Review not required.		

06	Issued for Approval	10-09-2025	SC	KP	JJ
05	Issued for Approval	02-07-2025	SC	KP	JJ
04	Issued for Approval	20-06-2025	SC	KP	JJ
03	Issued for Approval	25-04-2025	SC	KP	JJ
Rev. No.	Description	Date	Prepared by	Checked by	Approved by



GENERAL NOTES

- 1 Driven by compressor shaft
- 2 Six times winding temperature sensors, Two times bearing temperature sensors to MCC

LEGEND

DETAIL

REV.	DATE	PURPOSE OF ISSUE (P.O.I.)	PREP.	CHKD.	APPR.
06	10/Sep/25	ISSUE FOR APPROVAL	SC	KP	JJ
05	02/Jul/25	ISSUE FOR APPROVAL	SC	KP	JJ
04	20/Jun/25	ISSUE FOR APPROVAL	SC	KP	JJ
03	25/Apr/25	ISSUE FOR APPROVAL	SC	KP	JJ
02	08/Apr/25	ISSUE FOR APPROVAL	SC	KP	JJ
01	27/Jan/25	ISSUE FOR APPROVAL	SC	KP	JJ
00	11/Jan/25	ISSUE FOR APPROVAL	SC	KP	JJ



PROJECT:
300 KT POLYETHYLENE PLANT
ARYA SASOL POLYMER COMPANY (ASPC)

MC:
ISEDCO
شرکت مهندسی و پیمانکاری

CONTRACTOR:
SAZEH CONSULTANTS

VENDOR:
DYPNF

DRAWING TITLE:
PIPING & INSTRUMENTATION DIAGRAM
PNEUMATIC CONVEYING SYSTEM 44C-40001A

OWNER PROJECT NO.	VENDOR DWG.	MR NO.	VENDOR CODE	DISCIPLINE	UNIT	TYPE	SEQ.
3944	VD	0171	DYP	RE	400	PID	0016

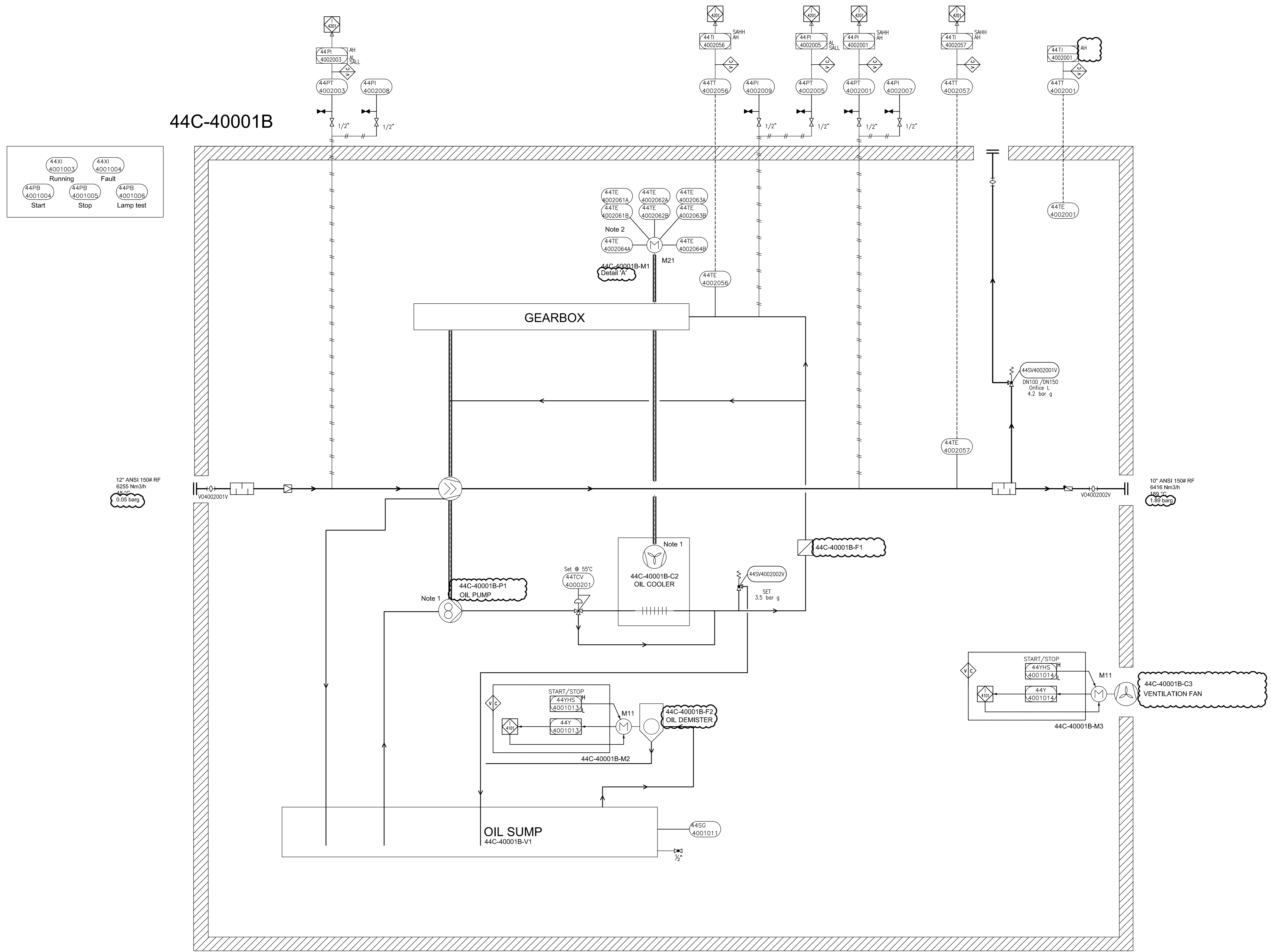
OWNER DOC. NO.

SCALE: NONE SIZE: A0 SHEET NO. 4 OF 14 REV. 06

ITEM	44C-40001A	44M-40001A	44C-40001A-P	44C-40001A-D	44C-40001A-V
DESCRIPTION	Blower	Main Motor	Oil Pump	Oil Demister	Enclosure Fan
TECHNICAL DATA	<ul style="list-style-type: none"> Rated Capacity: 6416 Nm³/h Inlet/Outlet Pressure: 0.05/1.89 Bar g Gas: Nitrogen Guaranteed capacity: 6255 Nm³/hr 	<ul style="list-style-type: none"> Rated Power: 440 kW Speed: 2988 rpm Power Supply: 6kV / 50Hz / 3ph 	<ul style="list-style-type: none"> Rated Power: - (Shaft driven) Type: Gear pump Power Supply: 230V / 50Hz / 1Ph 	<ul style="list-style-type: none"> Rated Power: 0.37 kW Type: Cyclone 	<ul style="list-style-type: none"> Rated Power: TBD Type: Forced Draft

THIS DOCUMENT WITH ALL ITS RIGHTS IS THE PROPERTY OF A.S.P.C. AND MUST BE HELD IN CONFIDENCE. NO DISCLOSURE, REPRODUCTION OR OTHER USE OF THE DOCUMENT IN WHOLE OR A PORTIONS TO BE MADE WITHOUT THE PRIOR CONSENT OF A.S.P.C.

44C-40001B



GENERAL NOTES

- 1 Driven by compressor shaft
- 2 Six times winding temperature sensors, Two times bearing temperature sensors to MCC

LEGEND

DETAIL

REV.	DATE	PURPOSE OF ISSUE (P.O.I.)	PREP.	CHKD.	APPR.
06	10/Sep/25	ISSUE FOR APPROVAL	SC	KP	JJ
05	02/Jul/25	ISSUE FOR APPROVAL	SC	KP	JJ
04	20/Jun/25	ISSUE FOR APPROVAL	SC	KP	JJ
03	25/Apr/25	ISSUE FOR APPROVAL	SC	KP	JJ
02	08/Apr/25	ISSUE FOR APPROVAL	SC	KP	JJ
01	27/Jan/25	ISSUE FOR APPROVAL	SC	KP	JJ
00	11/Jan/25	ISSUE FOR APPROVAL	SC	KP	JJ

OWNER:

PROJECT:
300 KT POLYETHYLENE PLANT
ARYA SASOL POLYMER COMPANY (ASPC)

MC:

CONTRACTOR:

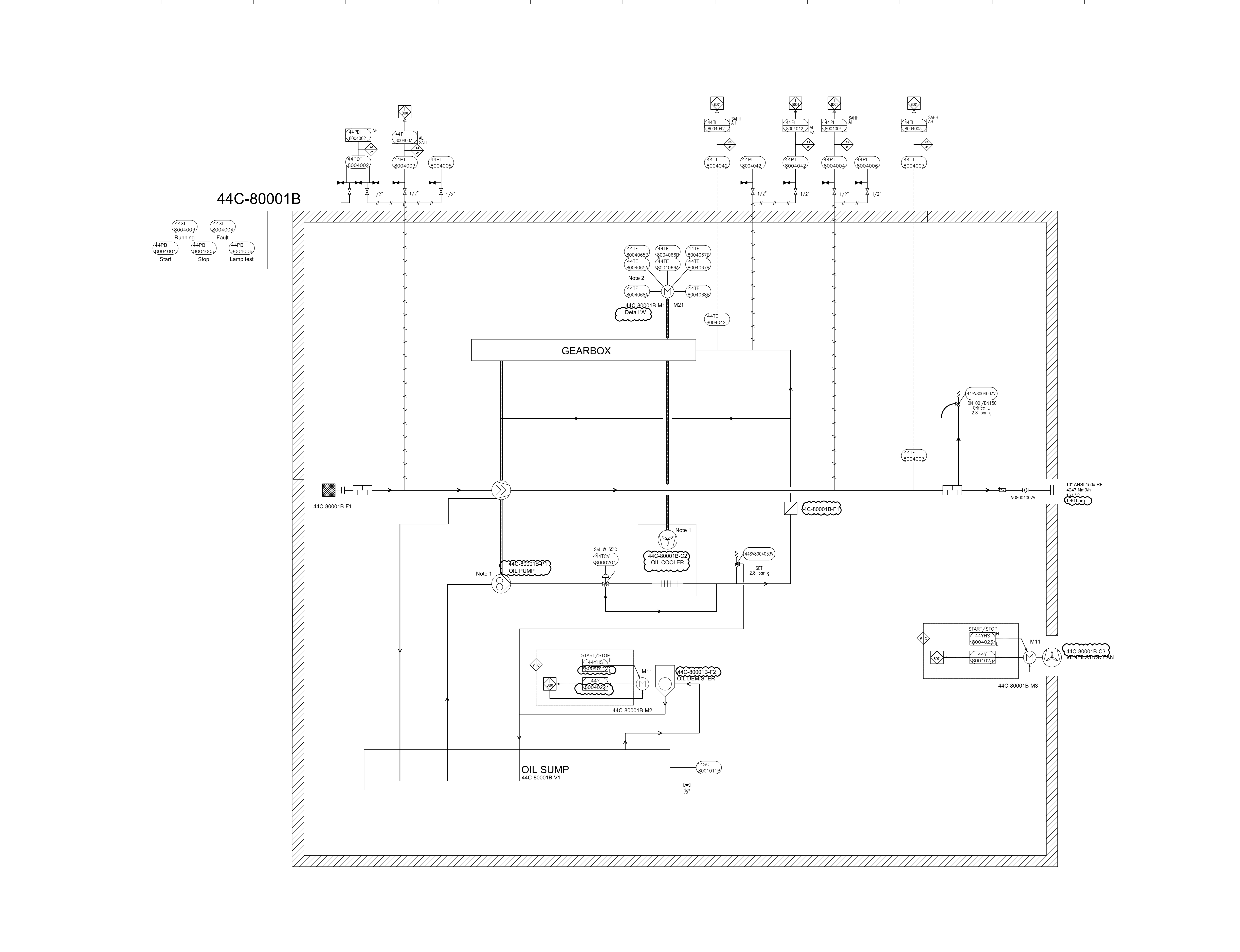
VENDOR:

DRAWING TITLE:
PIPING & INSTRUMENTATION DIAGRAM
PNEUMATIC CONVEYING SYSTEM 44C-40001B

OWNER DOC. NO.							
OWNER PROJECT NO.	VENDOR DWG.	MR NO.	VENDOR CODE	DISCIPLINE	UNIT TYPE	SEQ.	
3944	VD	0171	DYP	RE	400 PID	0016	
SCALE:	NONE	SIZE:	A0	SHEET NO.	5 OF 14	REV.	06

ITEM	44C-40001B	44M-40001B	44C-40001B-P	44C-40001B-D	44C-40001B-V
DESCRIPTION	Blower	Main Motor	Oil Pump	Oil Demister	Enclosure Fan
TECHNICAL DATA	Output Capacity: 6416 Nm ³ /h Inlet/Outlet Pressure: 0.05/1.89 Bar Inlet/Outlet Temp: 45/45 °C Guaranteed capacity: 6255 Nm ³ /hr	Rated Power: 440 kW Speed: 2988 rpm Power Supply: 6kV / 50Hz / 3ph	Rated Power: - (Shaft driven) Type: Gear pump	Rated Power: 0.37 kW Type: Cyclone Power Supply: 230V / 50Hz / 1Ph	Rated Power: TBD Type: Forced Draft

THIS DOCUMENT WITH ALL ITS RIGHTS IS THE PROPERTY OF A.S.P.C. AND MUST BE HELD IN CONFIDENCE. NO DISCLOSURE, REPRODUCTION OR OTHER USE OF THE DOCUMENT IN WHOLE OR A PORTION IS TO BE MADE WITHOUT THE PRIOR CONSENT OF A.S.P.C.



44C-80001B

44XI 8004003	44XI 8004004
Running	Fault
44PB 8004004	44PB 8004005
Start	Stop
	44PB 8004006
	Lamp test

GENERAL NOTES

- 1 Driven by compressor shaft
- 2 Six times winding temperature sensors, Two times bearing temperature sensors to MCC

LEGEND

DETAIL

REV.	DATE	PURPOSE OF ISSUE (P.O.I.)	PREP.	CHKD.	APPR.
06	10/Sep/25	ISSUE FOR APPROVAL	SC	KP	JJ
05	02/Jul/25	ISSUE FOR APPROVAL	SC	KP	JJ
04	20/Jun/25	ISSUE FOR APPROVAL	SC	KP	JJ
03	25/Apr/25	ISSUE FOR APPROVAL	SC	KP	JJ
02	08/Apr/25	ISSUE FOR APPROVAL	SC	KP	JJ
01	27/Jan/25	ISSUE FOR APPROVAL	SC	KP	JJ
00	11/Jan/25	ISSUE FOR APPROVAL	SC	KP	JJ



PROJECT:
**300 KT POLYETHYLENE PLANT
ARYA SASOL POLYMER COMPANY (ASPC)**

MCC:
ISEDSCO (Logo) شرکت عمران و سازه های صنعتی

CONTRACTOR:
SAZEH CONSULTANTS (Logo) سازه مشاوران

VENDOR:
DYPNF (Logo) دایپانف

DRAWING TITLE:
**PIPING & INSTRUMENTATION DIAGRAM
PNEUMATIC CONVEYING SYSTEM 44C-80001B**

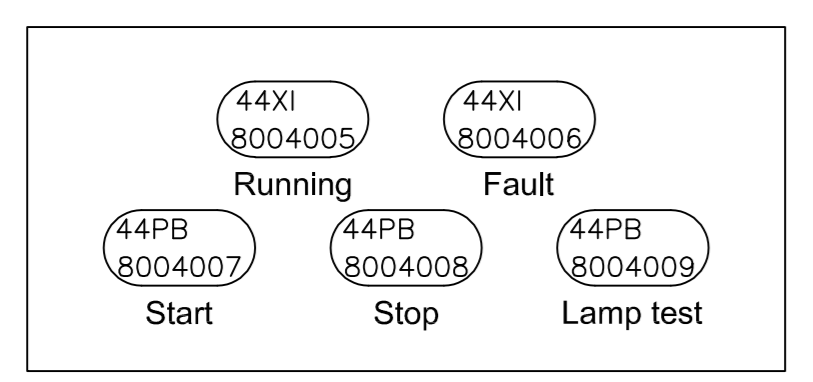
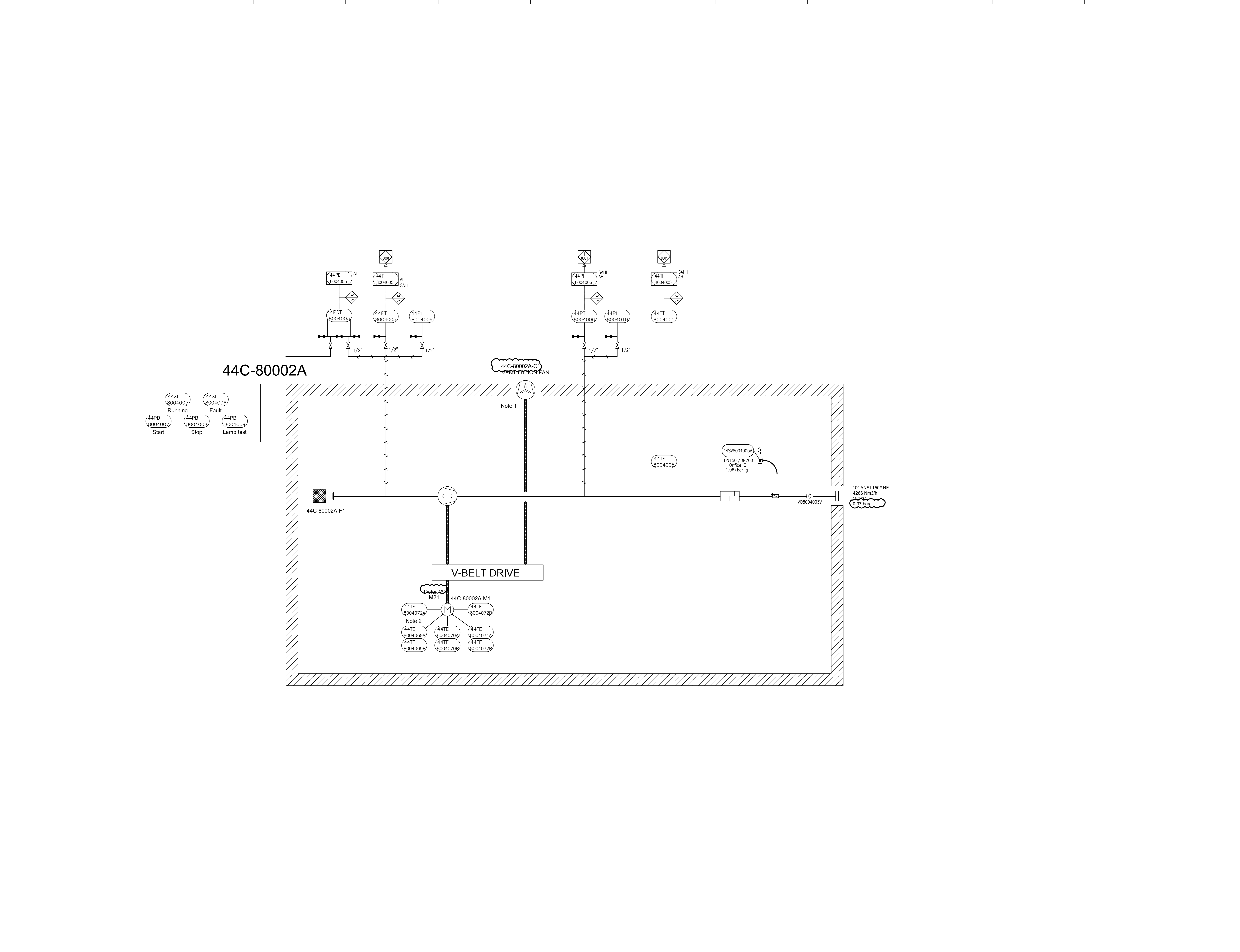
OWNER DOC. NO.

OWNER PROJECT NO.	VENDOR DWG.	MR NO.	VENDOR CODE	DISCIPLINE	UNIT	TYPE	SEQ.
3944	VD	0180	DYP	RE	800	PID	0016

SCALE: NONE SIZE: A0 SHEET NO. 7 OF 14 REV. 06

ITEM	44C-80001B	44M-80001B	44C-80001B-P	44C-80001B-D	44C-80001B-V
DESCRIPTION	Blower	Main Motor	Oil Pump	Oil Demister	Enclosure Fan
TECHNICAL DATA	Duty: 4175 Nm ³ /hr Inlet/Outlet Pressure: 0/1.46 Bar(g) Gas: Air Guaranteed capacity: 4175 Nm ³ /hr	Rated Power: 250 kW Speed: 2980 rpm Power Supply: 6kV / 50Hz / 3ph	Rated Power: - (Shaft driven) Type: Gear pump	Rated Power: 0.37 kW Type: Cyclone Power Supply: 230V / 50Hz / 1ph	Rated Power: TBD Type: Forced Draft

THIS DOCUMENT WITH ALL ITS RIGHTS IS THE PROPERTY OF A.S.P.C. AND MUST BE HELD IN CONFIDENCE. NO DISCLOSURE, REPRODUCTION OR OTHER USE OF THE DOCUMENT IN WHOLE OR A PORTION IS TO BE MADE WITHOUT THE PRIOR CONSENT OF A.S.P.C.



GENERAL NOTES

- 1 Driven by compressor shaft
- 2 Six times winding temperature sensors, Two times bearing temperature sensors to MCC

LEGEND

DETAIL

REV.	DATE	PURPOSE OF ISSUE (P.O.I.)	PREP.	CHKD.	APPR.
06	10/Sep/25	ISSUE FOR APPROVAL	SC	KP	JJ
05	02/Jul/25	ISSUE FOR APPROVAL	SC	KP	JJ
04	20/Jun/25	ISSUE FOR APPROVAL	SC	KP	JJ
03	25/Apr/25	ISSUE FOR APPROVAL	SC	KP	JJ
02	08/Apr/25	ISSUE FOR APPROVAL	SC	KP	JJ
01	27/Feb/25	ISSUE FOR APPROVAL	SC	KP	JJ
00	11/Feb/25	ISSUE FOR APPROVAL	SC	KP	JJ



PROJECT:
300 KT POLYETHYLENE PLANT
ARYA SASOL POLYMER COMPANY (ASPC)

MC:
ISEDCO
شرکت عمران و ساخت پارس

CONTRACTOR: SAZEH CONSULTANTS
VENDOR: DYPNF

DRAWING TITLE:
PIPING & INSTRUMENTATION DIAGRAM
PNEUMATIC CONVEYING TRANSPORT 44C-80002A

OWNER PROJECT NO.	VENDOR DWG.	MR NO.	VENDOR CODE	DISCIPLINE	UNIT	TYPE	SEQ.
3944	VD	0180	DYP	RE	800	PID	0016

SCALE: NONE SIZE: A0 SHEET NO. 8 OF 14 REV. 06

ITEM	44C-80002A	44M-80002A	44C-80002A-V
DESCRIPTION	Blower	Main Motor	Enclosure Fan
TECHNICAL DATA	Outlet Capacity: 4257 Nm ³ /h Inlet/Outlet Pressure: 0/0.97 Barg Gas: Air Guaranteed capacity: 4257 Nm ³ /hr	Rated Power: 250 kW Speed: 1488 rpm Power Supply: 6kV / 50Hz / 3ph	Rated Power: - (Shaft Driven) Type: Forced Draft

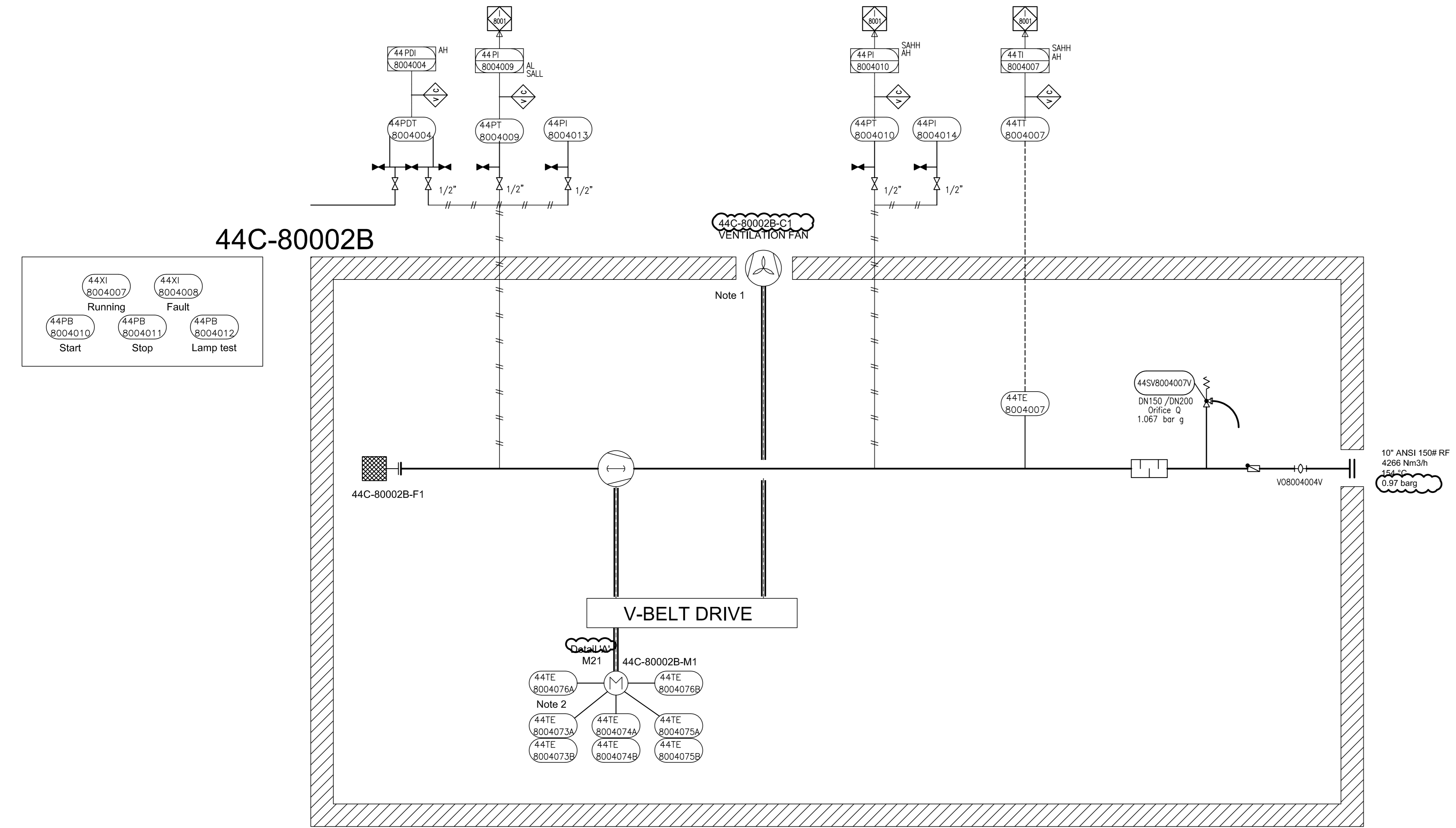
THIS DOCUMENT WITH ALL ITS RIGHTS IS THE PROPERTY OF A.S.P.C. AND MUST BE HELD IN CONFIDENCE. NO DISCLOSURE, REPRODUCTION OR OTHER USE OF THE DOCUMENT IN WHOLE OR A PORTION IS TO BE MADE WITHOUT THE PRIOR CONSENT OF A.S.P.C.

GENERAL NOTES

- 1 Driven by compressor shaft
- 2 Six times winding temperature sensors, Two times bearing temperature sensors to MCC

LEGEND

DETAIL



44XI 8004007	44XI 8004008
Running	Fault
44PB 8004010	44PB 8004011
Start	Stop
	44PB 8004012
	Lamp test

06	10/Sep/25	ISSUE FOR APPROVAL	SC	KP	JJ
05	02/Jul/25	ISSUE FOR APPROVAL	SC	KP	JJ
04	20/Jun/25	ISSUE FOR APPROVAL	SC	KP	JJ
03	25/Apr/25	ISSUE FOR APPROVAL	SC	KP	JJ
02	08/Apr/25	ISSUE FOR APPROVAL	SC	KP	JJ
01	27/Feb/25	ISSUE FOR APPROVAL	SC	KP	JJ
00	11/Feb/25	ISSUE FOR APPROVAL	SC	KP	JJ
REV.	DATE	PURPOSE OF ISSUE (P.O.I.)	PREP.	CHKD.	APPR.

OWNER:

شرکت پلیمر آریا ساسول
ARYA SASOL POLYMER COMPANY
(ASPC)

PROJECT:
300 KT POLYETHYLENE PLANT
ARYA SASOL POLYMER COMPANY (ASPC)

MC:

شرکت صنایع پتروشیمی آریا ساسول
ISEDCO

CONTRACTOR:

SAZEH CONSULTANTS
DYPNF

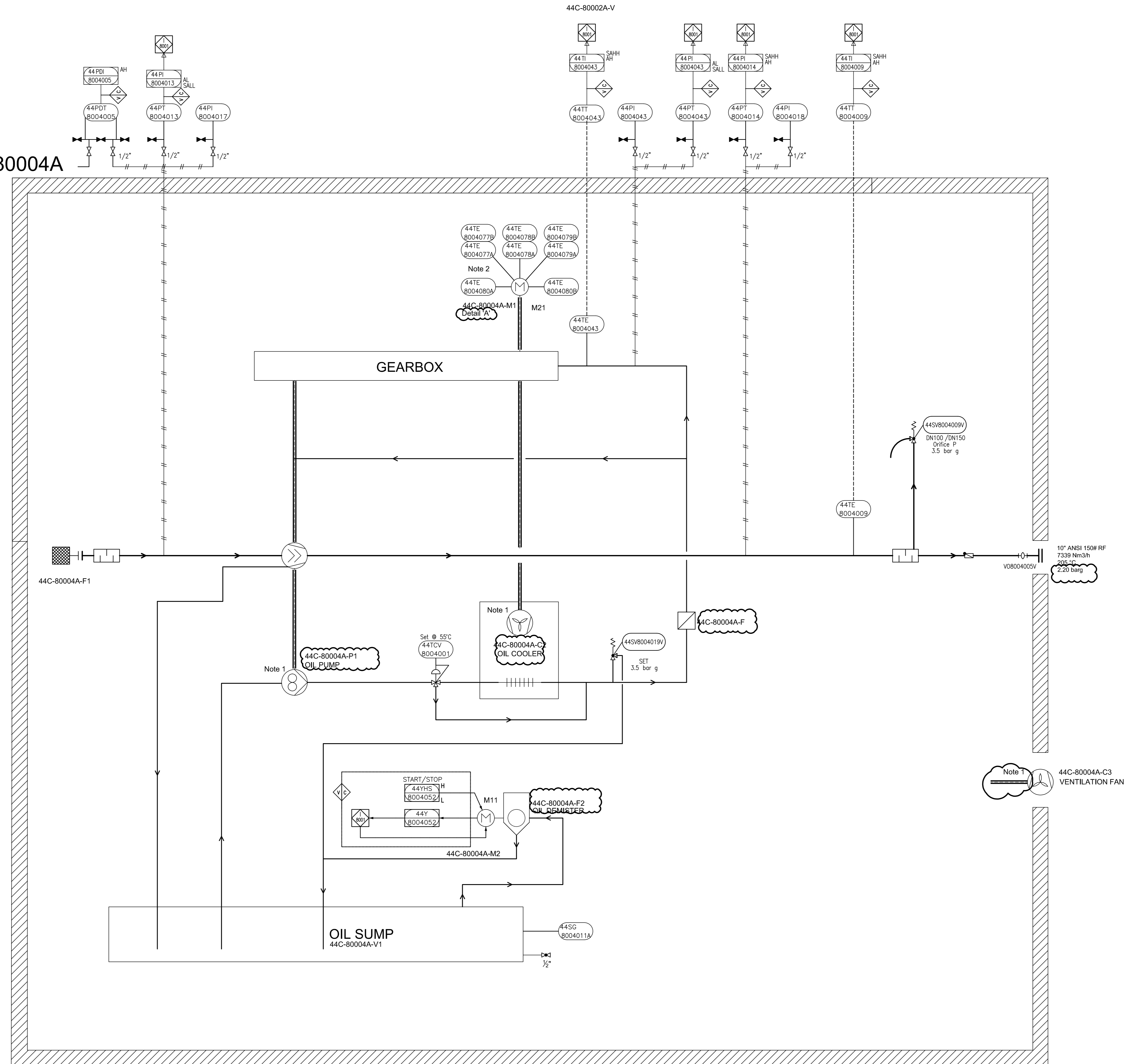
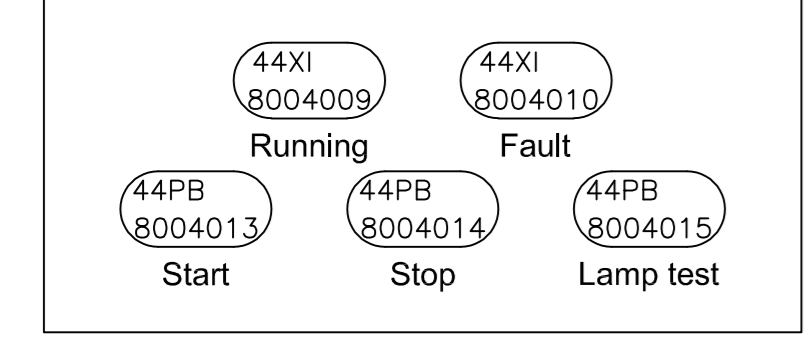
DRAWING TITLE:
PIPING & INSTRUMENTATION DIAGRAM
PNEUMATIC CONVEYING SYSTEM 44C-80002B

OWNER DOC. NO.					
OWNER PROJECT NO.	VENDOR DWG.	MR NO.	VENDOR CODE	DISCIPLINE	UNIT TYPE SEQ.
3944	VD	0180	DYP	RE	800 PID 0016
SCALE:	NONE	SIZE:	A0	SHEET NO.	9 OF 14
				REV.	06

ITEM	44C-80002B	44M-80002B	44C-80002B-V
DESCRIPTION	Blower	Main Motor	Enclosure Fan
TECHNICAL DATA	Output Capacity: 4257 Nm ³ /h Inlet/Outlet Pressure: 0/0.97 Barg Gas: Air Guaranteed capacity: 4257 Nm ³ /hr	Rated Power: 250 kW Speed: 1488 rpm Power Supply: 6kV / 50Hz / 3ph	Rated Power: - (Shaft Driven) Type: Forced Draft

THIS DOCUMENT WITH ALL ITS RIGHTS IS THE PROPERTY OF A.S.P.C. AND MUST BE HELD IN CONFIDENCE. NO DISCLOSURE, REPRODUCTION OR OTHER USE OF THE DOCUMENT IN WHOLE OR A PORTION IS TO BE MADE WITHOUT THE PRIOR CONSENT OF A.S.P.C.

44C-80004A



GENERAL NOTES

- 1 Driven by compressor shaft
- 2 Six times winding temperature sensors, Two times bearing temperature sensors to MCC

LEGEND

DETAIL

06	10/Sep/25	ISSUE FOR APPROVAL	SC	KP	JJ
05	02/Jul/25	ISSUE FOR APPROVAL	SC	KP	JJ
04	20/Jun/25	ISSUE FOR APPROVAL	SC	KP	JJ
03	25/Apr/25	ISSUE FOR APPROVAL	SC	KP	JJ
02	08/Apr/25	ISSUE FOR APPROVAL	SC	KP	JJ
01	27/Jan/25	ISSUE FOR APPROVAL	SC	KP	JJ
00	11/Feb/25	ISSUE FOR APPROVAL	SC	KP	JJ
REV.	DATE	PURPOSE OF ISSUE (P.O.I.)	PREP.	CHKD.	APPR.



PROJECT:
300 KT POLYETHYLENE PLANT
ARYA SASOL POLYMER COMPANY (ASPC)

MC:
ISEDCO
شرکت عمران و ساخت نیوا

CONTRACTOR:
SAZEH CONSULTANTS
SAZEPARTNER

VENDOR:
DYPNF

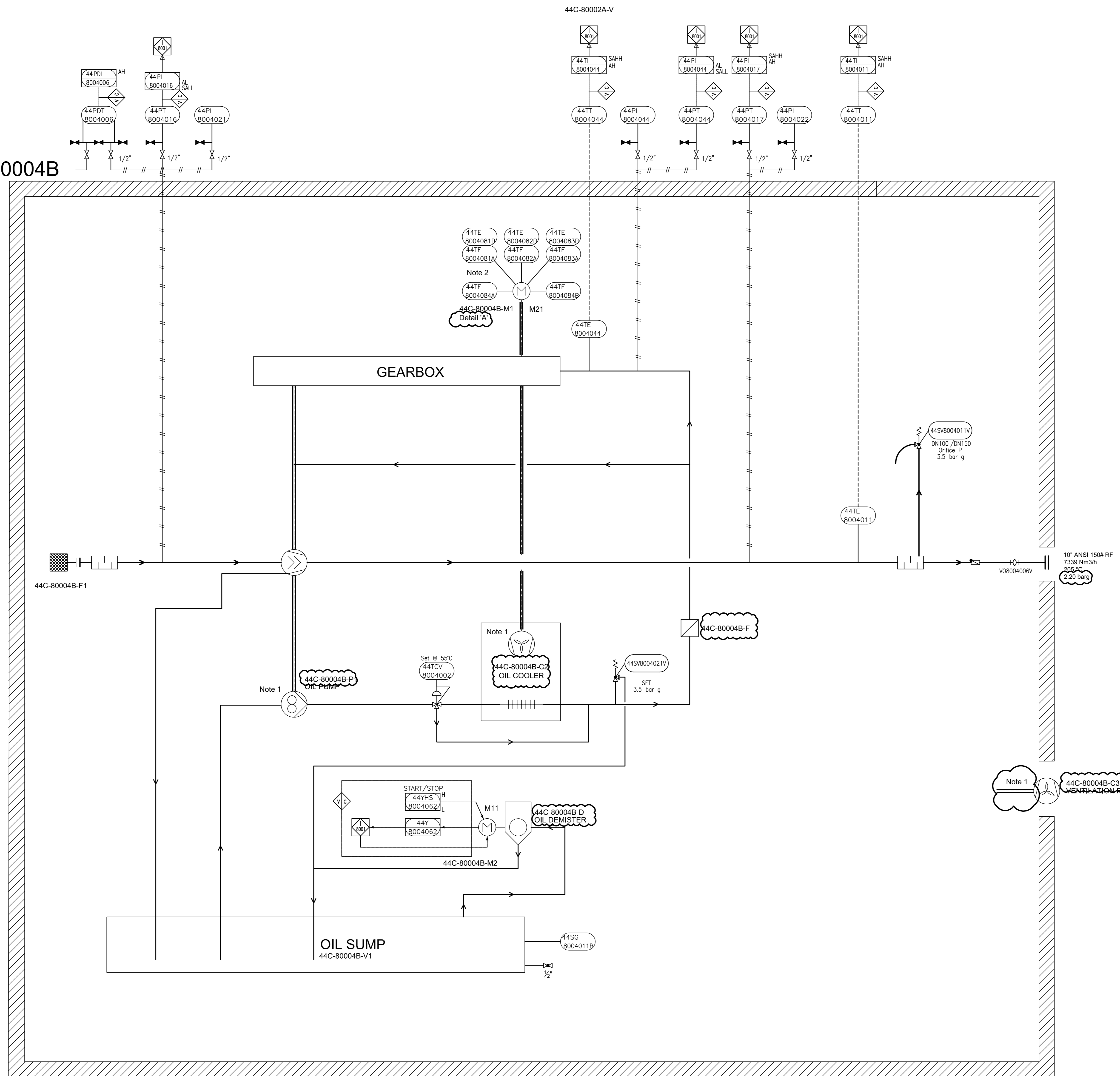
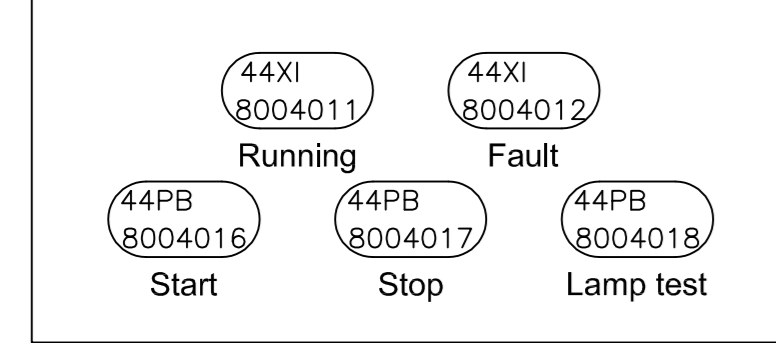
DRAWING TITLE:
PIPING & INSTRUMENTATION DIAGRAM
PNEUMATIC CONVEYING SYSTEM 44C-80004A

OWNER DOC. NO.					
OWNER PROJECT NO.	VENDOR DWG.	MR NO.	VENDOR CODE	DISCIPLINE	UNIT TYPE SEQ.
3944	VD	0180	DYP	RE	800 PID 0016
SCALE: NONE	SIZE: A0	SHEET NO. 10	OF 14	REV.	06

ITEM	44C-80004A	44M-80004A	44C-80004A-P	44C-80004A-D	44C-80004A-V
DESCRIPTION	Blower	Main Motor	Oil Pump	Oil Demister	Enclosure Fan
TECHNICAL DATA	Output Capacity: 7185 Nm ³ /h Inlet/Outlet Pressure: 0/2.20 Bar Inlet/Outlet Temp: 40/200 °C Gas: Air Guaranteed capacity: 7185 Nm ³ /hr	Rated Power: 590 kW Speed: 2985 rpm Power Supply: 6kV / 50Hz / 3ph	Rated Power: - (Shaft driven) Type: Gear pump	Rated Power: 0.37 kW Type: Cyclone Power Supply: 230V / 50Hz / 1ph	Rated Power: - (Shaft Driven) Type: Forced Draft

THIS DOCUMENT WITH ALL ITS RIGHTS IS THE PROPERTY OF A.S.P.C. AND MUST BE HELD IN CONFIDENCE. NO DISCLOSURE, REPRODUCTION OR OTHER USE OF THE DOCUMENT IN WHOLE OR A PORTIONS TO BE MADE WITHOUT THE PRIOR CONSENT OF A.S.P.C.

44C-80004B



GENERAL NOTES

- 1 Driven by compressor shaft
- 2 Six times winding temperature sensors, Two times bearing temperature sensors to MCC

LEGEND

DETAIL

REV.	DATE	PURPOSE OF ISSUE (P.O.I.)	PREP.	CHKD.	APPR.
06	10/Sep/25	ISSUE FOR APPROVAL	SC	KP	JJ
05	02/Jul/25	ISSUE FOR APPROVAL	SC	KP	JJ
04	20/Jun/25	ISSUE FOR APPROVAL	SC	KP	JJ
03	25/Apr/25	ISSUE FOR APPROVAL	SC	KP	JJ
02	08/Apr/25	ISSUE FOR APPROVAL	SC	KP	JJ
01	27/Feb/25	ISSUE FOR APPROVAL	SC	KP	JJ
00	11/Feb/25	ISSUE FOR APPROVAL	SC	KP	JJ



PROJECT:
300 KT POLYETHYLENE PLANT
ARYA SASOL POLYMER COMPANY (ASPC)

MC:
ISEDSCO
گروه صنعتی ایزدکو

CONTRACTOR:
SAZEH CONSULTANTS
SAZEH POLYMER
SAZEH POLYMER

VENDOR:
DYPNF

DRAWING TITLE: PIPING & INSTRUMENTATION DIAGRAM
PNEUMATIC CONVEYING SYSTEM 44C-80004B

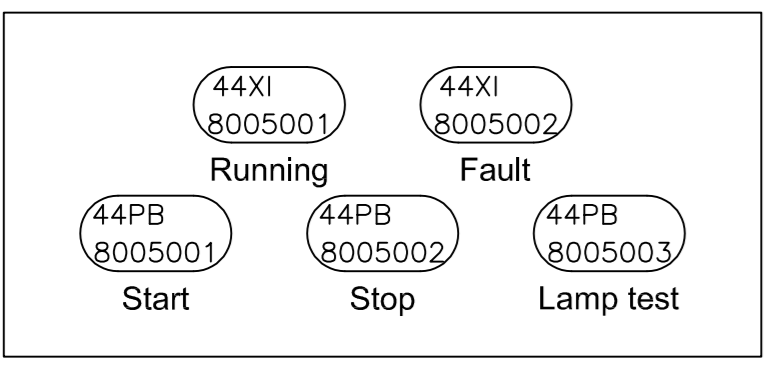
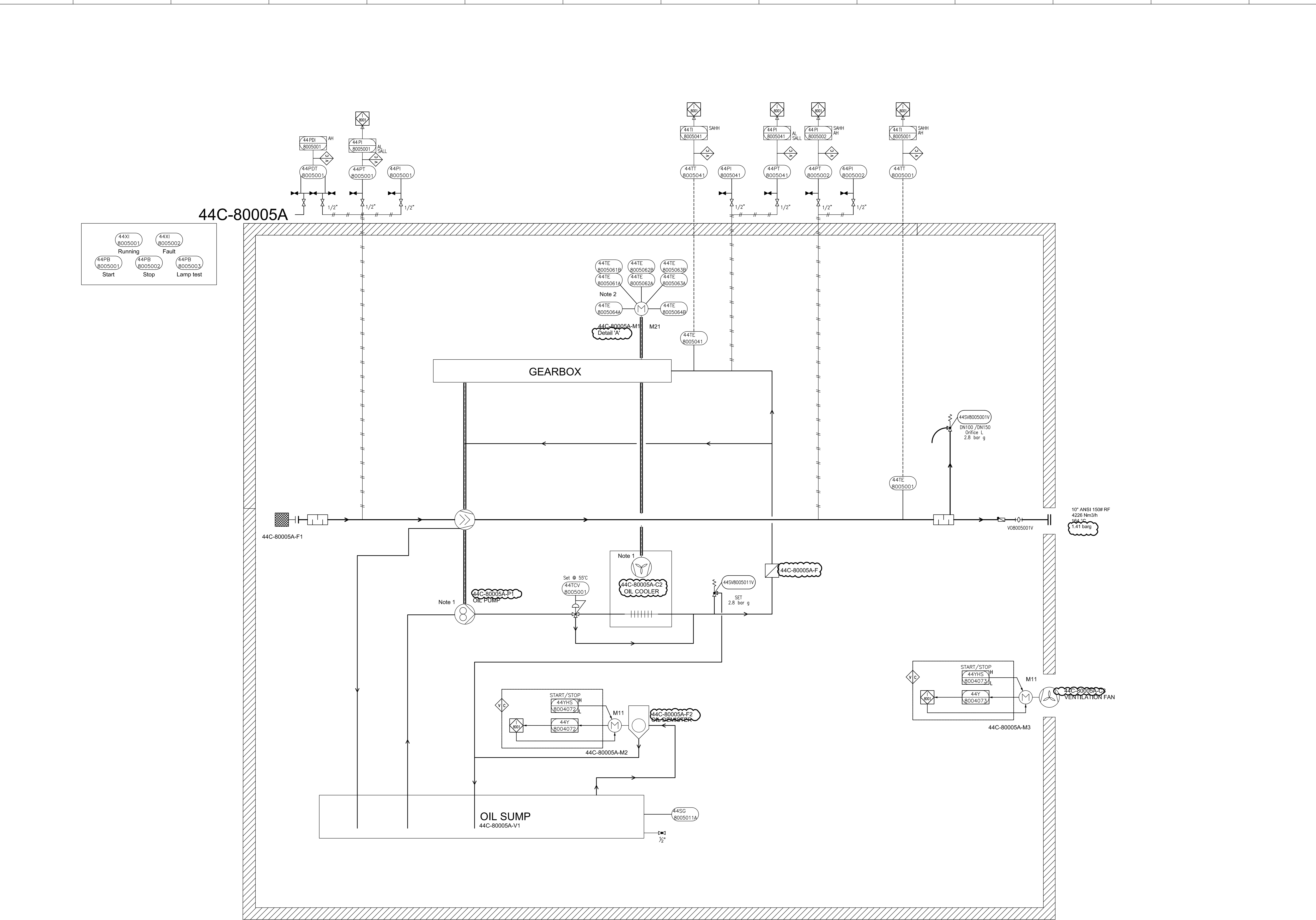
OWNER DOC. NO.

OWNER PROJECT NO.	VENDOR DWG.	MR NO.	VENDOR CODE	DISCIPLINE	UNIT	TYPE	SEQ.
3944	VD	0180	DYP	RE	800	PID	0016

SCALE: NONE SIZE: A0 SHEET NO. 11 OF 14 REV. 06

ITEM	44C-80004B	44M-80004B	44C-80004B-P	44C-80004B-D	44C-80004B-V
DESCRIPTION	Blower	Main Motor	Oil Pump	Oil Demister	Enclosure Fan
TECHNICAL DATA	Drive Capacity: 7185 Nm ³ /h Inlet/Outlet Pressure: 0/2.20 Bar(g) Gas: Air Guaranteed Capacity: 7185 Nm ³ /hr	Rated Power: 590 kW Speed: 2985 rpm Power Supply: 6kV / 50Hz / 3ph	Rated Power: - (Shaft driven) Type: Gear pump	Rated Power: 0.37 kW Type: Cyclone Power Supply: 230V / 50Hz / 1Ph	Rated Power: - (Shaft Driven) Type: Forced Draft

THIS DOCUMENT WITH ALL ITS RIGHTS IS THE PROPERTY OF A.S.P.C. AND MUST BE HELD IN CONFIDENCE. NO DISCLOSURE, REPRODUCTION OR OTHER USE OF THE DOCUMENT IN WHOLE OR A PORTION IS TO BE MADE WITHOUT THE PRIOR CONSENT OF A.S.P.C.



GENERAL NOTES

- 1 Driven by compressor shaft
- 2 Six times winding temperature sensors, Two times bearing temperature sensors to MCC

LEGEND

DETAIL

REV.	DATE	PURPOSE OF ISSUE (P.O.I.)	PREP.	CHKD.	APPR.
06	10/Sep/25	ISSUE FOR APPROVAL	SC	KP	JJ
05	02/Jul/25	ISSUE FOR APPROVAL	SC	KP	JJ
04	20/Jun/25	ISSUE FOR APPROVAL	SC	KP	JJ
03	25/Apr/25	ISSUE FOR APPROVAL	SC	KP	JJ
02	08/Apr/25	ISSUE FOR APPROVAL	SC	KP	JJ
01	27/Jan/25	ISSUE FOR APPROVAL	SC	KP	JJ
00	11/Jan/25	ISSUE FOR APPROVAL	SC	KP	JJ

OWNER:



PROJECT:
300 KT POLYETHYLENE PLANT
ARYA SASOL POLYMER COMPANY (ASPC)

MC:
ISEDSCO
شرکت مهندسی و مشاوره

CONTRACTOR:
SAZEH CONSULTANTS

VENDOR:
DYPNF

DRAWING TITLE:
PIPING & INSTRUMENTATION DIAGRAM
PNEUMATIC CONVEYING SYSTEM 44C-80005A

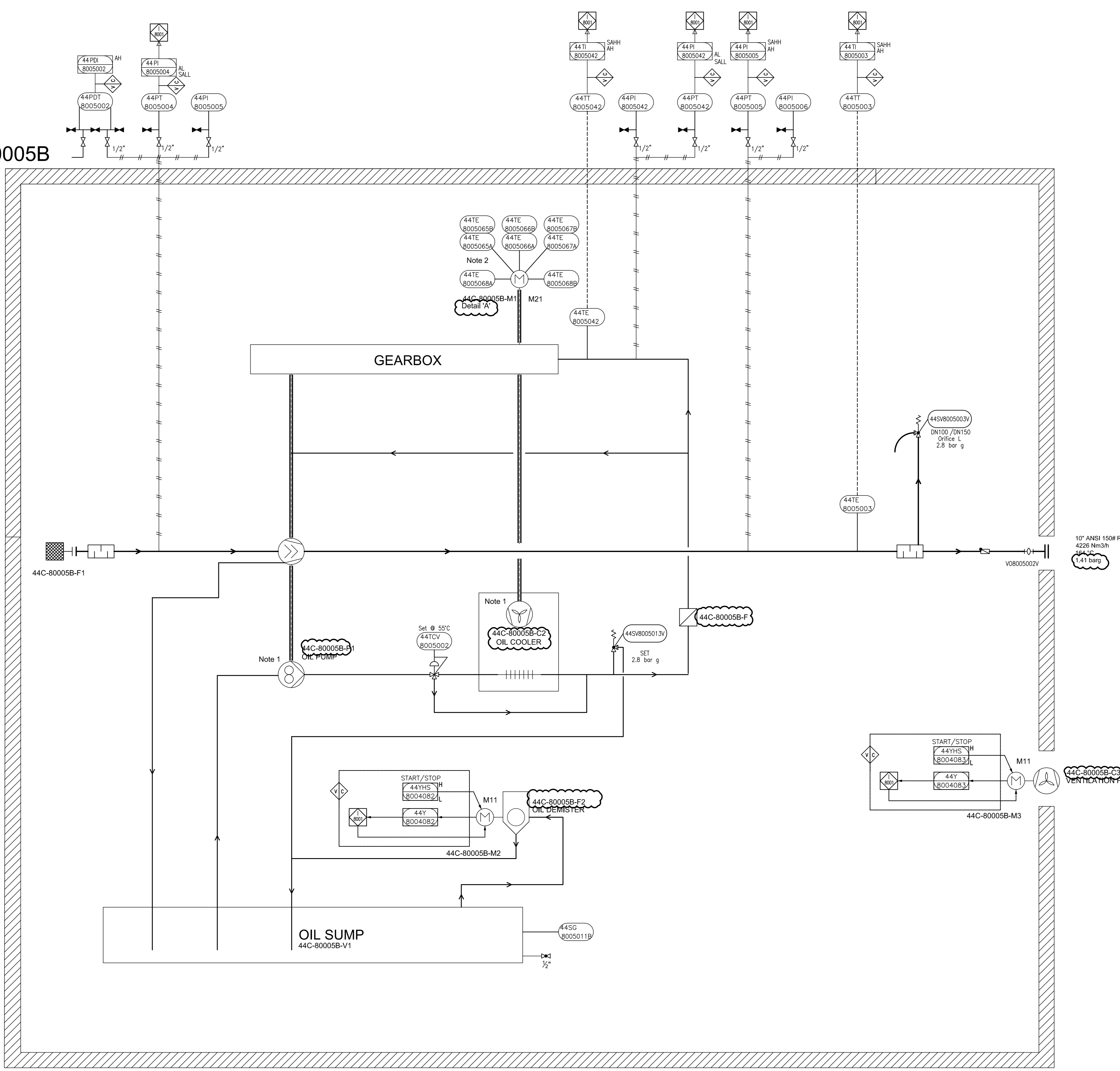
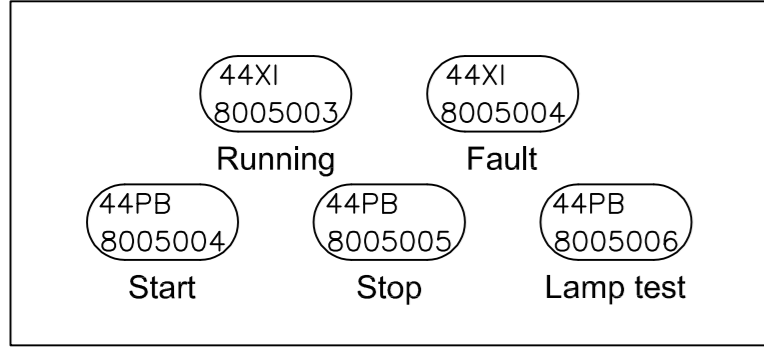
OWNER PROJECT NO.	VENDOR DWG.	MR NO.	VENDOR CODE	DISCIPLINE	UNIT	TYPE	SEQ.
3944	VD	0180	DYP	RE	800	PID	0016

SCALE: NONE SIZE: A0 SHEET NO. 12 OF 14 REV. 06

ITEM	44C-80005A	44M-80005A	44C-80005A-P	44C-80005A-D	44C-80005A-V
DESCRIPTION	Blower	Main Motor	Oil Pump	Oil Demister	Enclosure Fan
TECHNICAL DATA	Outlet Capacity: 4226 Nm ³ /hr Inlet/Outlet Pressure: 0/1.41 Barg Inlet/Outlet Temp: 44/26.4 °C Gas: Air Guaranteed capacity: 4095 Nm ³ /hr	Rated Power: 250 kW Speed: 2980 rpm Power Supply: 6kV / 50Hz / 3ph	Rated Power: - (Shaft driven) Type: Gear pump	Rated Power: 0.37 kW Type: Cyclone Power Supply: 230V / 50Hz / 1ph	Rated Power: TBD Type: Forced Draft

THIS DOCUMENT WITH ALL ITS RIGHTS IS THE PROPERTY OF A.S.P.C. AND MUST BE HELD IN CONFIDENCE. NO DISCLOSURE, REPRODUCTION OR OTHER USE OF THE DOCUMENT IN WHOLE OR A PORTIONS TO BE MADE WITHOUT THE PRIOR CONSENT OF A.S.P.C.

44C-80005B



GENERAL NOTES

- 1 Driven by compressor shaft
- 2 Six times winding temperature sensors, Two times bearing temperature sensors to MCC

LEGEND

DETAIL

06	10/Sep/25	ISSUE FOR APPROVAL	SC	KP	JJ
05	02/Jul/25	ISSUE FOR APPROVAL	SC	KP	JJ
04	20/Jun/25	ISSUE FOR APPROVAL	SC	KP	JJ
03	25/Apr/25	ISSUE FOR APPROVAL	SC	KP	JJ
02	08/Apr/25	ISSUE FOR APPROVAL	SC	KP	JJ
01	27/Jan/25	ISSUE FOR APPROVAL	SC	KP	JJ
00	11/Feb/25	ISSUE FOR APPROVAL	SC	KP	JJ
REV.	DATE	PURPOSE OF ISSUE (P.O.I.)	PREP.	CHKD.	APPR.



PROJECT:
300 KT POLYETHYLENE PLANT
ARYA SASOL POLYMER COMPANY (ASPC)

MC:
ISEDCO
شرکت عمران و ساختن

CONTRACTOR:
SAZEH CONSULTANTS

VENDOR:
DYPNF

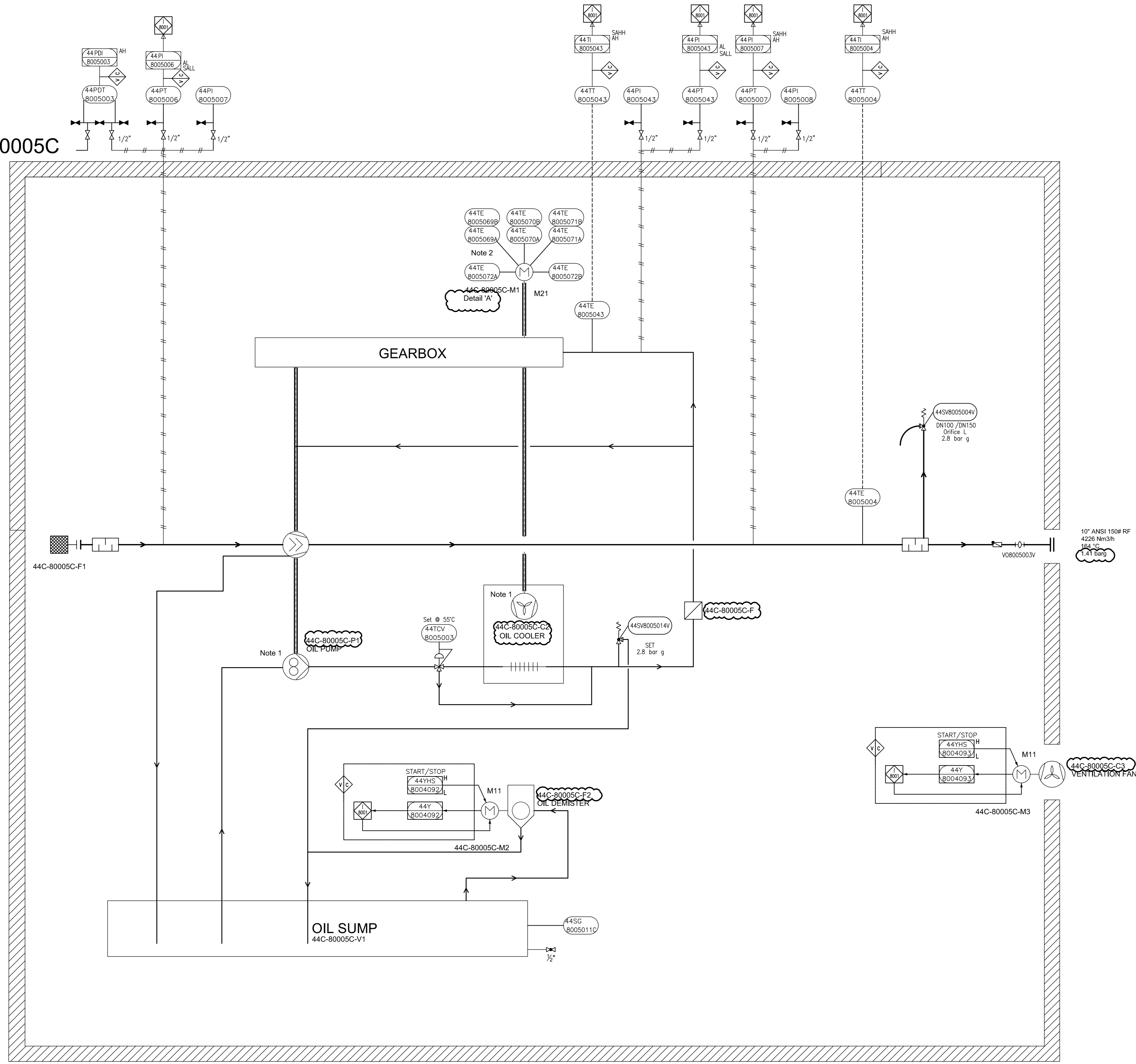
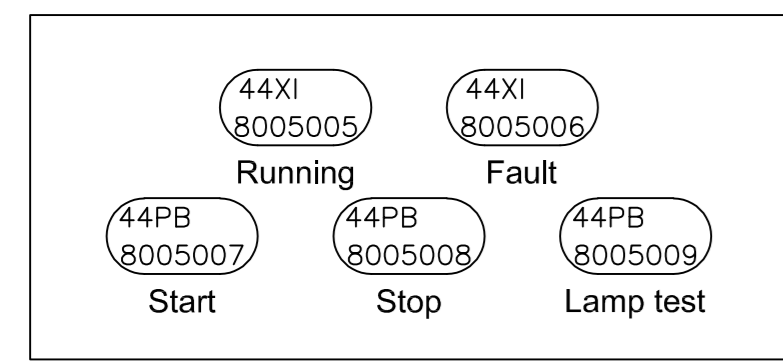
DRAWING TITLE:
PIPING & INSTRUMENTATION DIAGRAM
PNEUMATIC CONVEYING SYSTEM 44C-80005B

OWNER DOC. NO.					
OWNER PROJECT NO.	VENDOR DWG.	MR NO.	VENDOR CODE	DISCIPLINE	UNIT TYPE
3944	VD	0180	DYP	RE	800 PID
SCALE:	NONE	SIZE:	A0	SHEET NO.	13 OF 14
				REV.	06

ITEM	44C-80005B	44M-80005B	44C-80005B-P	44C-80005B-D	44C-80005B-V
DESCRIPTION	Blower	Main Motor	Oil Pump	Oil Demister	Enclosure Fan
TECHNICAL DATA	Outlet Capacity: 4226 Nm ³ /hr Inlet/Outlet Pressure: 7/1.41 Barg Inlet/Outlet Temp: 40/40°C Gas: Air Guaranteed capacity: 4095 Nm ³ /hr	Rated Power: 250 kW Speed: 2980 rpm Power Supply: 6kV / 50Hz / 3ph	Rated Power: - (Shaft driven) Type: Gear pump	Rated Power: 0.37 kW Type: Cyclone Power Supply: 230V / 50Hz / 1ph	Rated Power: TBD Type: Forced Draft

THIS DOCUMENT WITH ALL ITS RIGHTS IS THE PROPERTY OF A.S.P.C. AND MUST BE HELD IN CONFIDENCE. NO DISCLOSURE, REPRODUCTION OR OTHER USE OF THE DOCUMENT IN WHOLE OR A PORTION IS TO BE MADE WITHOUT THE PRIOR CONSENT OF A.S.P.C.

44C-80005C



GENERAL NOTES

- 1 Driven by compressor shaft
- 2 Six times winding temperature sensors, Two times bearing temperature sensors to MCC

LEGEND

DETAIL

REV.	DATE	PURPOSE OF ISSUE (P.O.I.)	PREP.	CHKD.	APPR.
06	10/Sep/25	ISSUE FOR APPROVAL	SC	KP	JJ
05	02/Jul/25	ISSUE FOR APPROVAL	SC	KP	JJ
04	20/Jun/25	ISSUE FOR APPROVAL	SC	KP	JJ
03	25/Apr/25	ISSUE FOR APPROVAL	SC	KP	JJ
02	08/Apr/25	ISSUE FOR APPROVAL	SC	KP	JJ
01	27/Jan/25	ISSUE FOR APPROVAL	SC	KP	JJ
00	11/Jan/25	ISSUE FOR APPROVAL	SC	KP	JJ



PROJECT: 300 KT POLYETHYLENE PLANT
ARYA SASOL POLYMER COMPANY (ASPC)

MC: **ISEDSCO** (Institution of Engineers, India)

CONTRACTOR: **SAZEH CONSULTANTS** (سازش مشاوران)

VENDOR: **DYPNF**

DRAWING TITLE: PIPING & INSTRUMENTATION DIAGRAM
PNEUMATIC CONVEYING SYSTEM 44C-80005C

OWNER PROJECT NO.	VENDOR DWG.	MR NO.	VENDOR CODE	DISCIPLINE	UNIT	TYPE	SEQ.
3944	VD	0180	DYP	RE	800	PID	0016

OWNER DOC. NO.

SCALE:	SIZE:	SHEET NO.	REV.
NONE	A0	14 OF 14	06

ITEM	44C-80005C	44M-80005C	44C-80005C-P	44C-80005C-D	44C-80005C-V
DESCRIPTION	Blower	Main Motor	Oil Pump	Oil Demister	Enclosure Fan
TECHNICAL DATA	Outlet Capacity: 4226 Nm ³ /h Inlet/Outlet Pressure: 0.1/1.11 Bar(g) Inlet/Outlet Temp: 45/45°C Gas: Air Guaranteed capacity: 4095 Nm ³ /hr	Rated Power: 250 kW Speed: 2980 rpm Power Supply: 6kV / 50Hz / 3ph	Rated Power: - (Shaft driven) Type: Gear pump	Rated Power: 0.37 kW Type: Cyclone Power Supply: 230V / 50Hz / 1ph	Rated Power: TBD Type: Forced Draft

THIS DOCUMENT WITH ALL ITS RIGHTS IS THE PROPERTY OF A.S.P.C. AND MUST BE HELD IN CONFIDENCE. NO DISCLOSURE, REPRODUCTION OR OTHER USE OF THE DOCUMENT IN WHOLE OR IN PART IS PERMITTED WITHOUT THE PRIOR CONSENT OF A.S.P.C.