



Vendor 	ABT 360 KT/Y PP PLANT Project		Owner  سراج گستران رجمال SERAJ GOSTARAN REJAL (سهایی خاص)
	General Arrangement Drawing (incl foundation load details)		
	Vendor's Doc. No.: 2 3 2 4 9 - 0 4 A	Rev.: 03	
PPEC Doc. No.: L03-RE037-ME-GAD-001			

PPEC REQ. NO. : L03-RE037-ME-GAD-001



ITEM NO. :

TOTAL PAGES : 03

NO COMMENT

<ul style="list-style-type: none"> ○ NO COMMENTS : Documents/Drawings Were Checked By PPEC And Further Step Can Be Followed. ○ COMMENTED AS MARKED: Documents/Drawings Were Checked By PPEC And Marked Comments Must Be Considered By Vendor. Vendor Shall Revise Documents/Drawing As Per Comments And The New Revision Of Documents/Drawings Must Be Revised Prior To Fabrication. ○ REJECTED: Documents/Drawings Were Checked And It Is Not In Comply With Purchase Requisition Requirements. ○ ACCEPTABLE WITH COMMENTS: Documents/Drawings Were Checked By PPEC And Comments Must Be Considered By Vendor. Fabrication Can Proceed Accordingly. Revised Document To Be Issued Either For Review Or As Final Certified. However PPEC Will Check The Revised Document For Proper Incorporation Of Comments. ○ NOT RETURNED: Document Was Received For Information And Not Returned To The Vendor. 		
Name :	Req. No. :	Seq. No.:
Signature:		
Date :		
PPEC review & comments does not absolve the vendor of the responsibility for the corrected design, manufacturing and operation of the equipment		

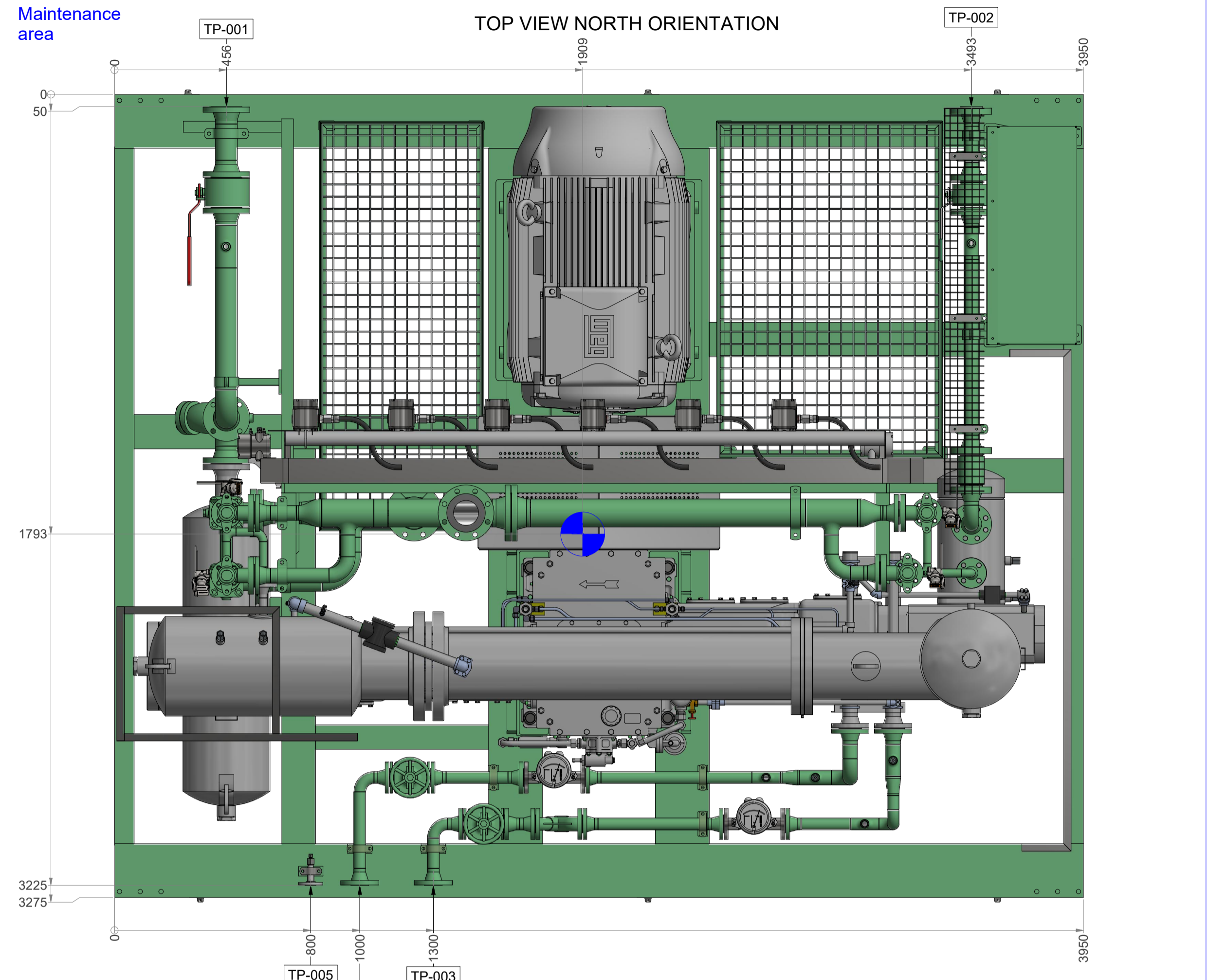
REV.	DATE	Description	Prepared by	Checked by	Approved by	Authorized by
03	18-09-2025	Issue for Engineering	F.T.	S.K.	J.J.	
02	15-08-2025	Issue for Engineering	F.T.	S.K.	J.J.	
01	11-07-2025	Issue for Engineering	F.T.	S.K.	J.J.	
00	28-04-2025	Issue for Engineering	F.T.	S.K.	J.J.	

Vendor	ABT 360 KT/Y PP PLANT	Contractor (DEC)	Owner
	General Arrangement Drawing (incl foundation load details)		
	Vendor's Doc. No.: 2 3 2 4 9 - 0 4 A		سراج گستاران رجال SERAJ GOSTARAN REJAL (سهامی خاص)
	PPEC Doc. No.: L03-RE037-ME-GAD-001	Rev.: 03	

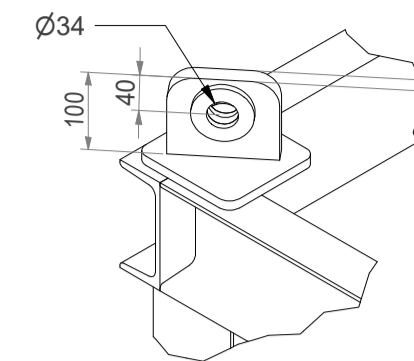
PAGE NO.	CHANGE INDEX DURING FORMAL ISSUE						REASON OF LATEST CHANGE
	FIRST ISSUE	SECOND ISSUE	THIRTH ISSUE	FOURTH ISSUE	FIFTH ISSUE	SIXTH ISSUE	
	REV.00	REV.01	REV.02	REV.03	REV.04	REV.05	
1	X	X	X	X			
2	X	X	X	X			
3	X	X	X	X			
4							
5							
6							
7							
8							
9							
10							
11							
12							
13							
14							
15							
16							
17							
18							
19							
20							
21							
22							
23							
24							
25							
26							
27							
28							
29							
30							
31							
32							
33							
34							
35							
36							
37							
38							
39							
40							



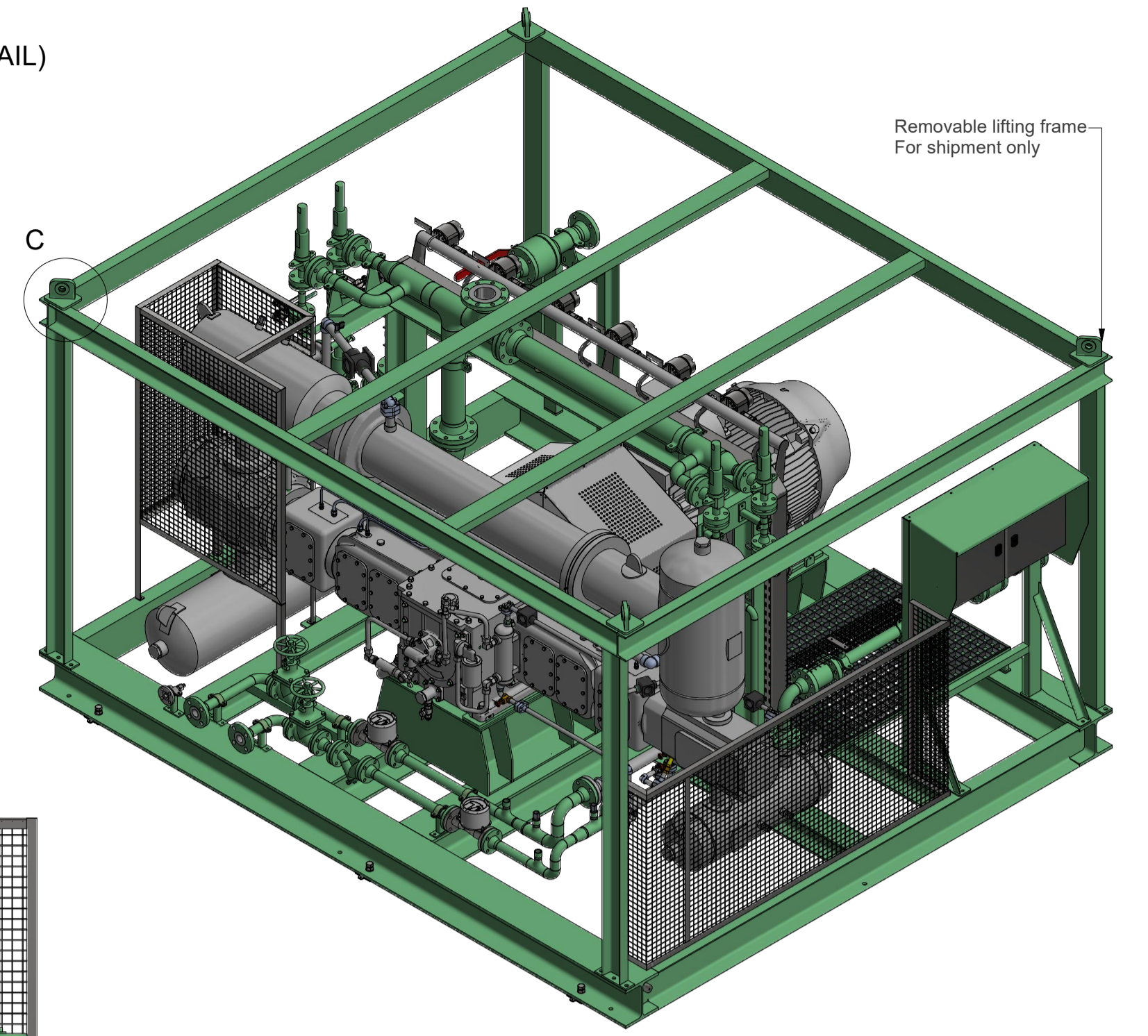
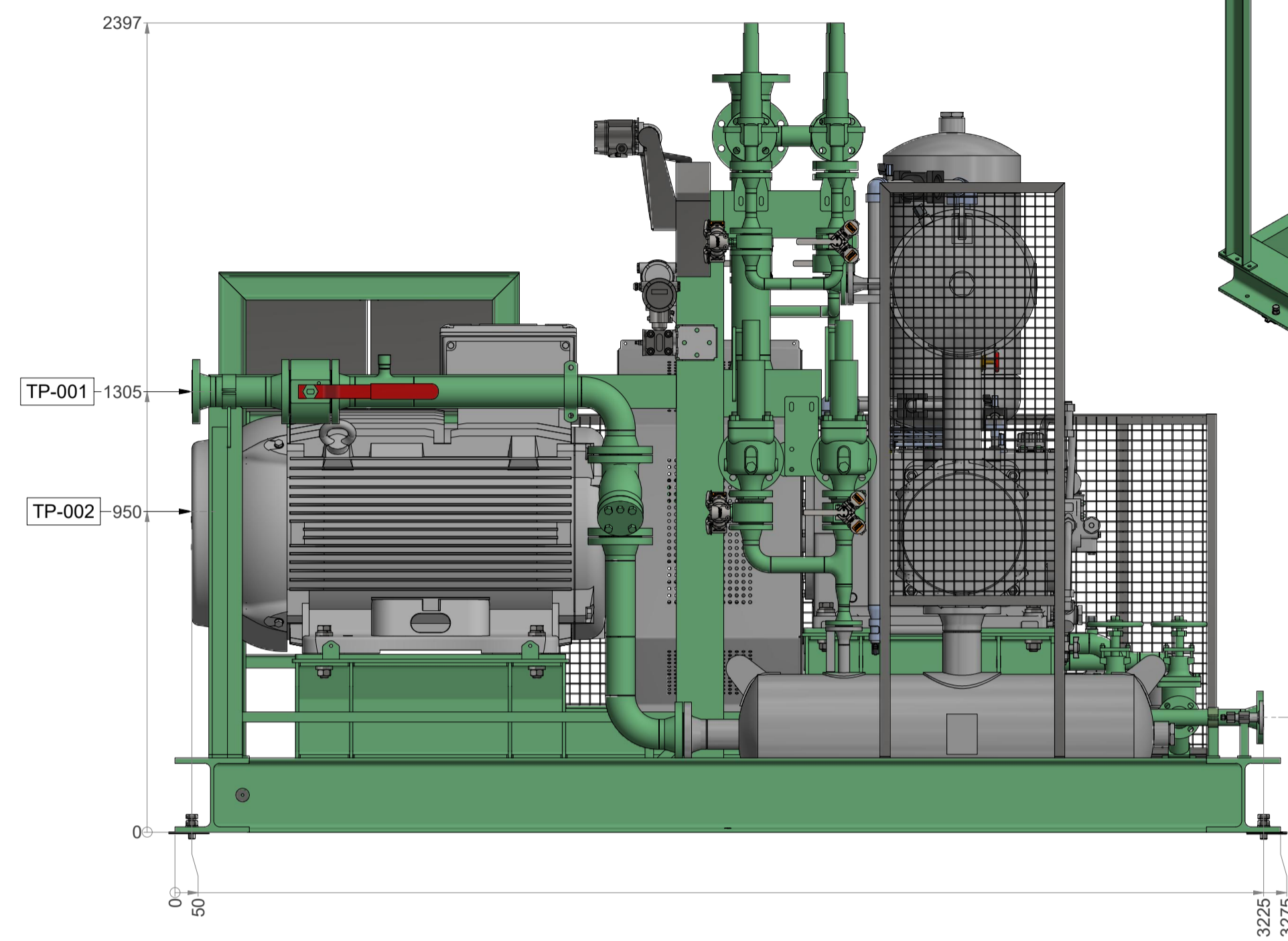
Maintenance area



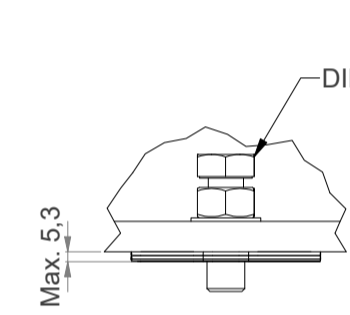
C (LIFTING LUG DETAIL)



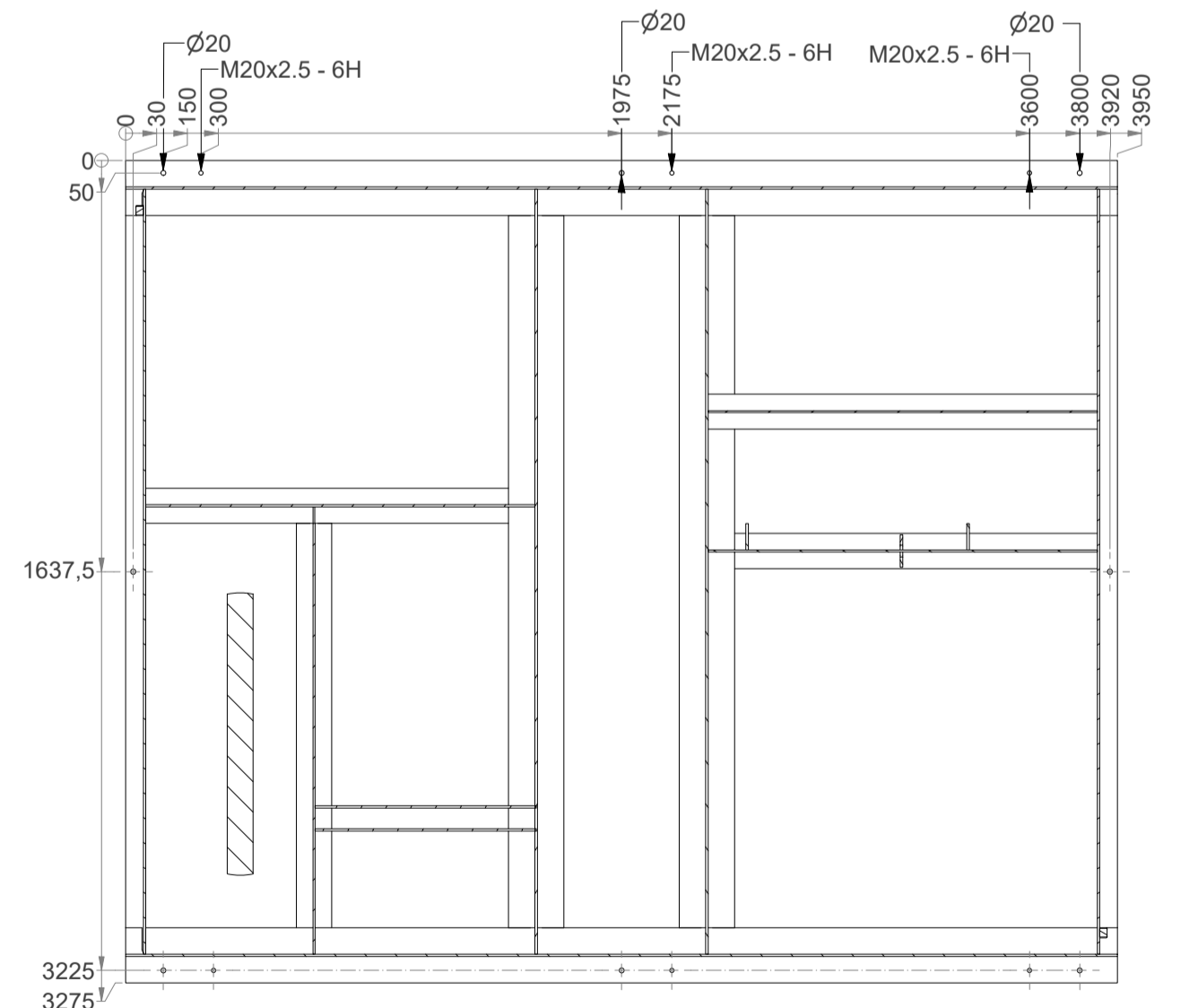
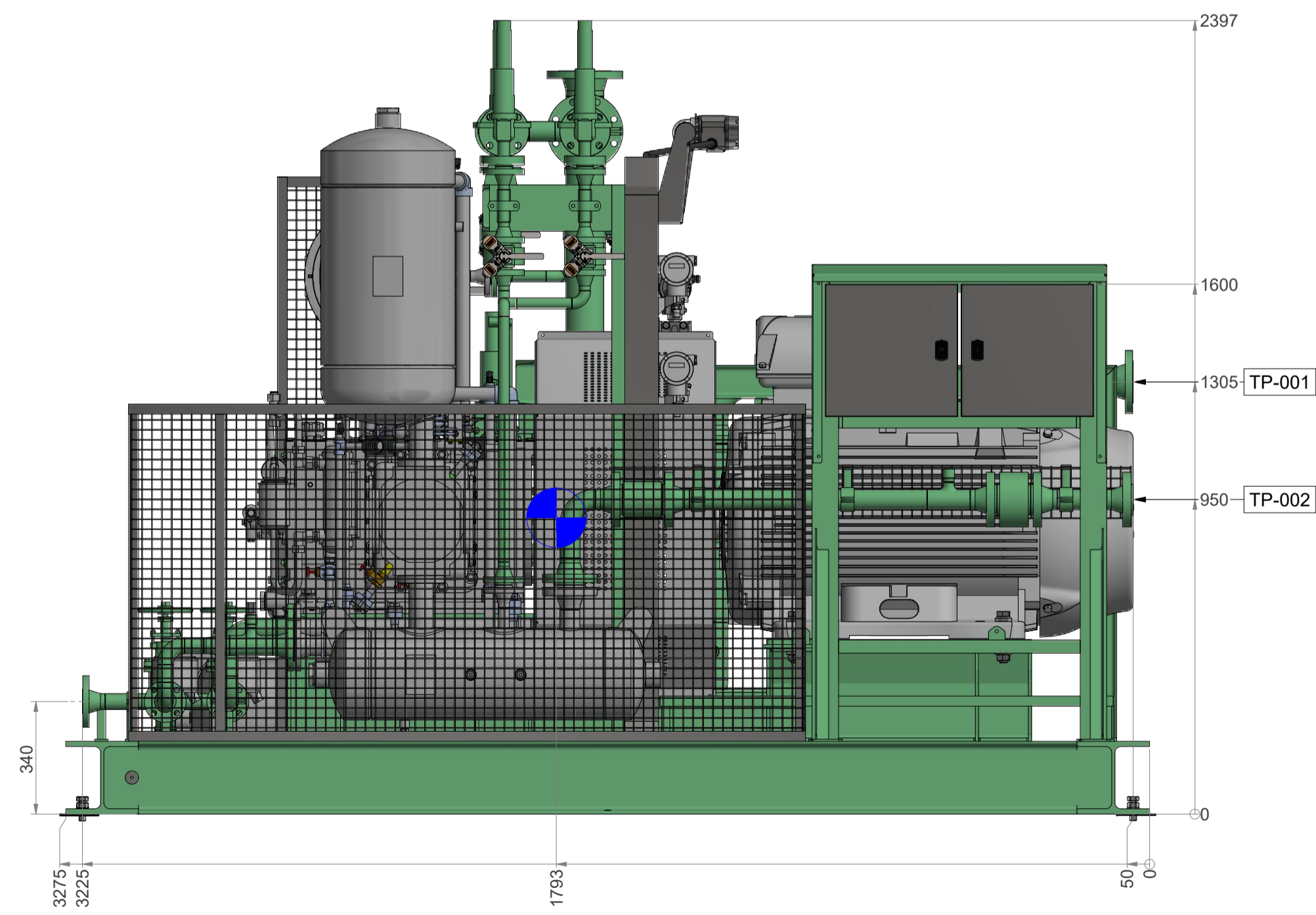
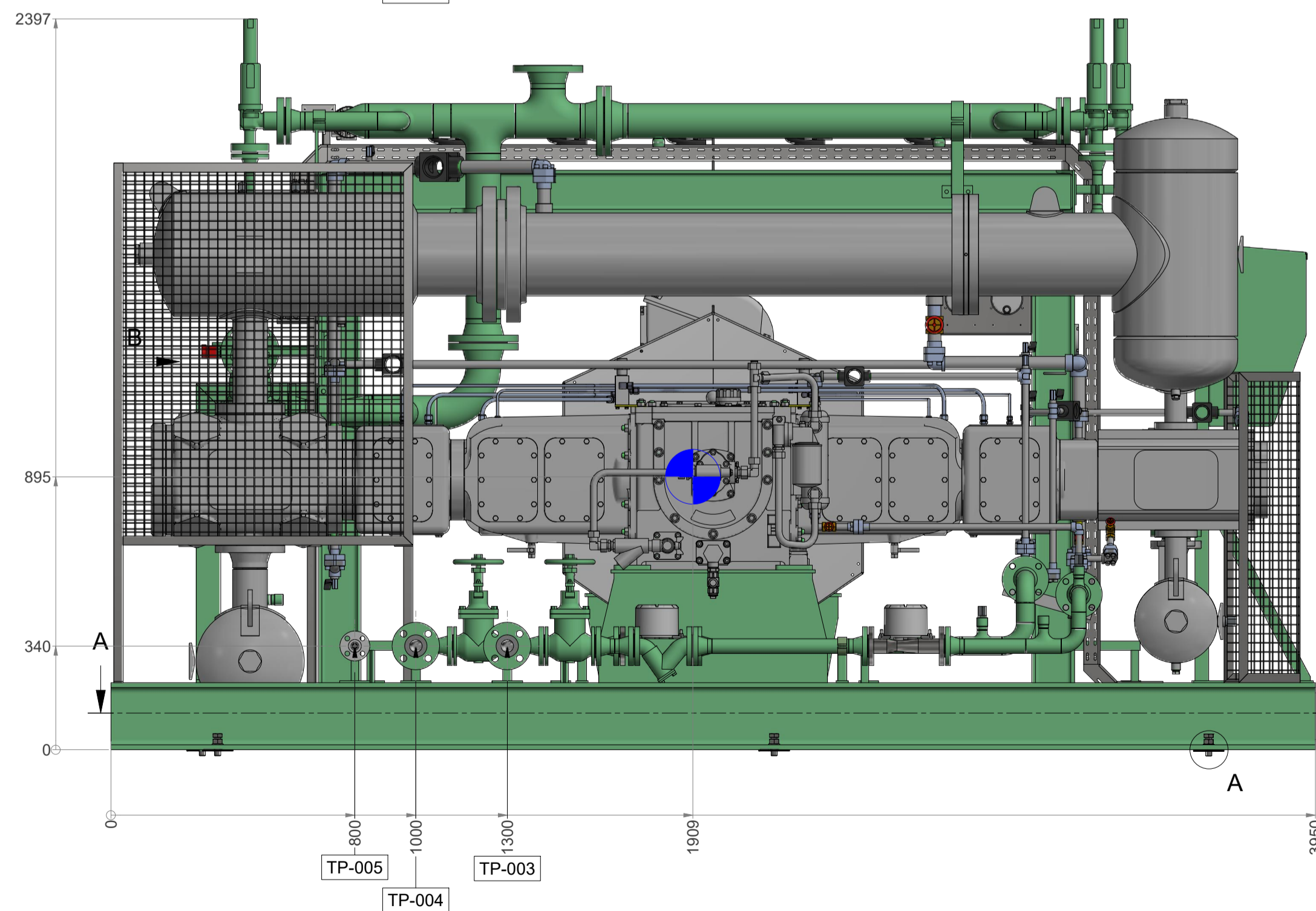
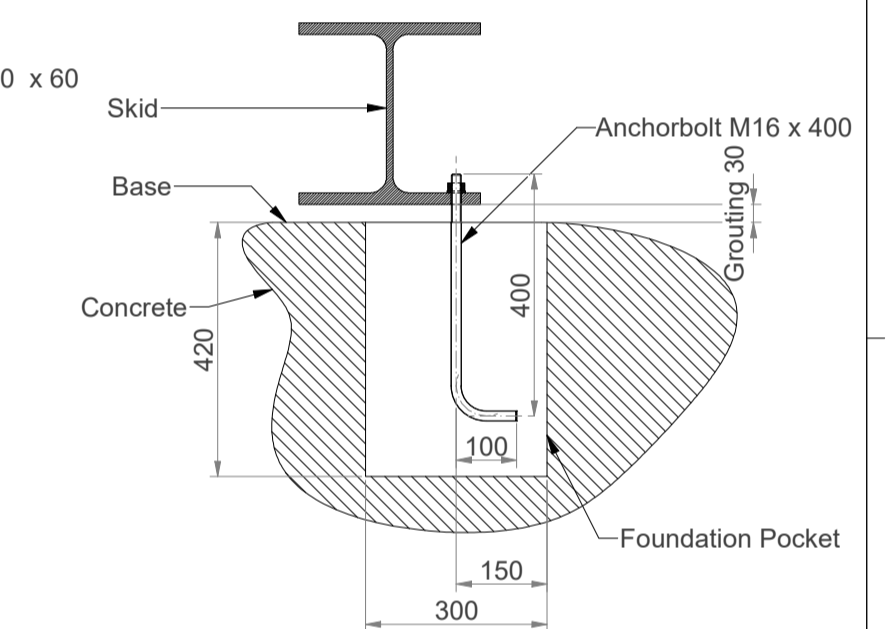
B (1 : 15)



A (LEVELING BOLT)



A-A (FOUNDATION PLAN)



NOTES/ LEGEND

- Calculated Transport Weight 6700 kg
- Operational weight 6200 kg



NOZZLE DATA

Tie-in Point	Nozzle	Size	Rating	Type	Material	FORCES (kN)			MOMENTS (kNm)			Remarks
						FH	FA	FV	MH	MA	MV	
INLET	TP-001	3"	150W	WNF ACC. ASME B16.5 RF	A/SA105N	3	3	3	1.5	3	1.5	
OUTLET	TP-002	2"	600W	WNF ACC. ASME B16.5 RF	A/SA105N	2	2	2	0.9	2	0.9	
COOLING WATER SUPPLY	TP-003	1 1/2"	150W	WNF ACC. ASME B16.5 RF	A/SA105N	1	1	1	0.3	1	0.3	
COOLING WATER RETURN	TP-004	1 1/2"	150W	WNF ACC. ASME B16.5 RF	A/SA105N	1	1	1	0.3	1	0.3	
Instrument air inlet	TP-005	1/2"	150W	WNF ACC. ASME B16.5 RF	A/SA316L	0.5	0.5	0.5	0.15	0.5	0.15	

Subject	GAD			Projection		This drawing is owned by Airpack and shall not be printed or copied in any other way than with Airpack's PERMISSION	
Client Ref.	Seraj Gostaran Rejal	Client Doc. No.	ABT 360 KT/Y PP PLANT Project	REV.	DATE	DRAWN	ACC.
Client Doc. No.	L03-RE037-ME-GAD-001	P&ID REV. No.	03	3	18-9-2025	FVT	SK
				2	18-08-2025	FVT	SK
				1	11-07-2025	FVT	
				0	28-4-2025	FVT	
Checked by	Airpack Nederland BV Groeneveld 25 4302 RN Zierikzee The Netherlands Telephone (31) 0 11 - 415455 E-mail: airpack@airpack.nl URL: http://www.airpack.nl			Plant Location	Scale		
Drawn No.	23249-COM			Airpack Ref.	23249-04 GAD		
				Sheet 1 of 1			